



Stainless Frame



Integrated Frame



Integrated Solid

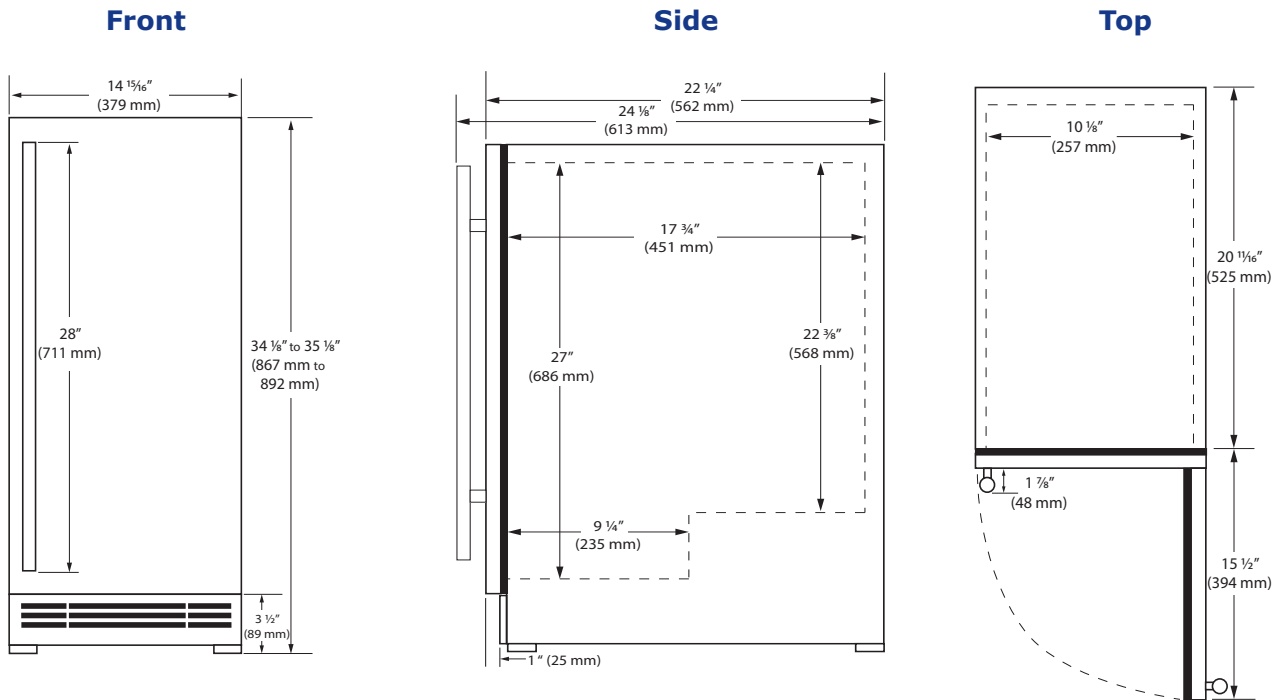
### Key Features

- Convection cooling system provides a quick cool down and consistent temperature
- Black interior
- LowE coated, argon gas filled, dual thermopane glass door provides protection from harmful UV Light
- Stainless steel full-wrap door and handle (7/8" diameter)
- Stainless steel grille (stainless model), black metal grille (integrated models)
- Two, three-quarter extension, black wine racks
- Two adjustable tempered glass shelves
- Digital touch pad control
- Temperature range: 34°F to 60°F
- Bright white LED lighting
- Volume of 2.9 cu ft holds up to 8 wine bottles (750 ml), and 48 bottles (12 oz) or 60 cans (12 oz)
- Field reversible door is shipped right-hand hinged
- Built-in or freestanding
- Four adjustable leveling legs

### Model Details

Model	Voltage/Hz	Door Swing	Finish	Shipping Weight
UHBV115-SG01A	115 / 60	Field Reversible	Stainless Frame	96 lb
UHBV115-IG01A	115 / 60	Field Reversible	Integrated Frame	93 lb
UHBV115-IS01A	115 / 60	Field Reversible	Integrated Solid	89 lb

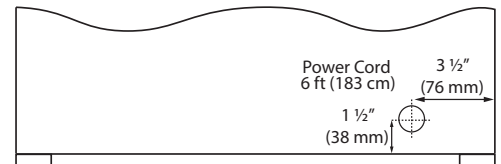




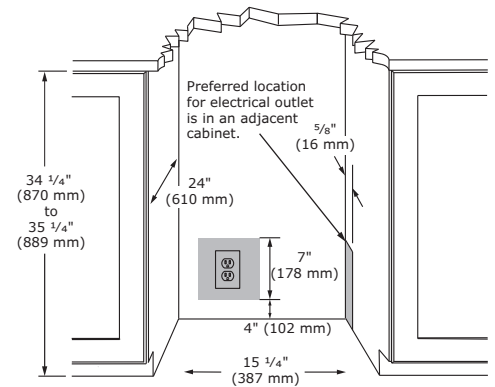
### Specifications

Model	HBV115
Amps: Running (115 v)	1.2 A
Capacity Bottle	48
Capacity Can	60
Capacity: Total Volume (cu ft)	2.9 cu ft
Capacity: Wine Bottle (750 ml)	8
Dimensions: Product Depth	22 1/4" / 562 mm
Dimensions: Product Height	34 1/8" / 867 mm
Dimensions: Product Width	14 15/16" / 379 mm
ENERGY STAR (Glass)	No
ENERGY STAR (Solid)	Tier 3
Energy Consumption: Avg. Per Year	285 kWh
Panel Height	30 1/4" / 768 mm
Panel Thickness	3/4" / 20 mm
Panel Type	2 3/4" / 70 mm Frame or Solid Panel
Panel Width	14 3/4" / 375 mm
Refrigerant Type	R600a
Sabbath (Star K Certified)	Yes
Temperature Range	34°F to 60°F

### Back



### Cabinet Cut-Out



### Warranty

- 1 Year (parts & labor) / 5 year sealed system (parts)
- + **Additional 1 Year (parts & labor) warranty at no cost with product registration**

See complete warranty for details



### Installation Notes

- 15" cutout width sufficient if door protrudes beyond adjacent cabinetry
- No additional clearance is needed for ventilation
- Do not obstruct front grille air flow



Please visit [u-line.com](http://u-line.com) to view this model's User Guide & Service Manual. All Specifications are subject to change without notice.

8900 North 55th Street • Milwaukee, Wisconsin 53223 USA • +1.414.354.0300 • [sales@u-line.com](mailto:sales@u-line.com) • [u-line.com](http://u-line.com)