

RW51TS338SR

SAMSUNG

51-Bottle Capacity Wine Cooler



Signature Features

Large Capacity

Spacious interior holds up to 51 bottles of all your favorite wines, across five shelves.

Dual Temperature Zones

Store all your favorite red, white or sparkling wines at their optimal temperature with two zones (ranging from 41°F – 64°F).

UV-Protective Triplex Glass

Triple-paned, UV resistant glass helps protect and preserve your wine's flavor by blocking harmful ultra-violet rays.

High-Efficiency LED Lighting

Illuminate and showcase your wine collection with overhead LED lighting.

Available Color



Fingerprint Resistant
Stainless Steel



Large Capacity



Dual Temperature Zones

Design

- Large Capacity of 51 Bottles
- Fingerprint Resistant Finish
- Reversible Wide-View Door
- Ice Blue LED Display
- 5 Full Extension Shelves

Technology

- Dual Temperature Zones
- Child Lock
- Door Alarm
- UV-Protective Triplex Glass
- High-Efficiency LED Lighting

Performance

- Twin Cooling System™
- Surround Airflow
- Cool Tight Door

RW51TS338SR

SAMSUNG

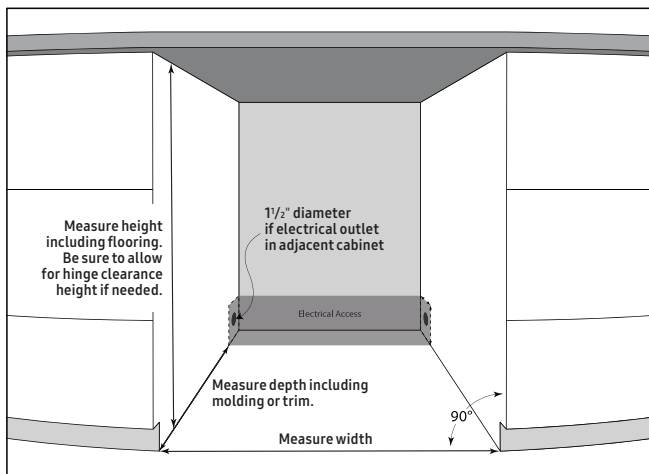
51-Bottle Capacity Wine Cooler

Installation Specifications

1. Measure the height, width and depth of the opening, making sure to include baseboards, molding tile, countertop overhang, etc. Check to be sure there is enough room to open the door (consider walls, islands or other obstacles when measuring).
2. Refer to illustration below to determine dimensions.
3. It is not recommended to install the appliance in a corner or directly beside a wall. The door will need to be opened more than 90° to allow full extension of the shelves. If it is necessary to place the unit next to a wall or in a corner, leave at least 3 3/4" of space between the wall and the appliance to allow for the door opening.
4. Allow 1 1/16" minimum clearance at rear for proper air circulation and electrical connections. Allow 1/8" minimum clearance at each side and top for ease of installation.

The listed depth requirement is assuming that the electrical outlet is located in the adjacent cabinet or flush mounted in the rear wall, not surface mounted inside the enclosure. If the electrical outlet is located inside adjacent cabinet, cut a 1 1/2" diameter hole to admit the power cord. If the cabinet wall is metal, the hole edge must be covered with a bushing or grommet.

Please note: The following dimension and cutout information is for planning purposes only. For complete installation details, consult manual packed with product or download manual online at samsung.com.



Cooler Capacity: 51 Bottles

- Adjustable Temperature Zone: 41°F–64°F
- 5 Full-Extension Shelves
- High-Efficiency LED Lighting

Warranty

One (1) Year Parts and Labor
Five (5) Years Parts and Labor on Sealed Refrigeration System Only*
Ten (10) Years Parts and Five (5) Years Labor on Digital Inverter Compressor Only

*Compressor, evaporator, condenser, drier and connecting tubing.

Product Dimensions & Weight

Dimensions (WxHxD with hinges, handles and doors):
23 13/16" x 34 1/16" x 26"

Dimensions (WxHxD without hinges and door):
23 13/16" x 34 1/16" x 21 7/8"

Dimensions (WxHxD with hinges and door, no handle):
23 13/16" x 34 1/16" x 23 13/16"

Weight: 143.3 lbs

Shipping Dimensions & Weight (WxHxD)

Dimensions: 26 3/4" x 37 3/16" x 28 9/16"

Weight: 157.6 lbs

Color

Fingerprint Resistant
Stainless Steel

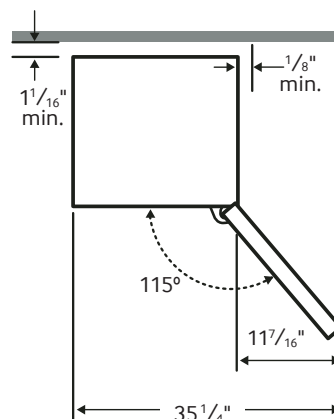
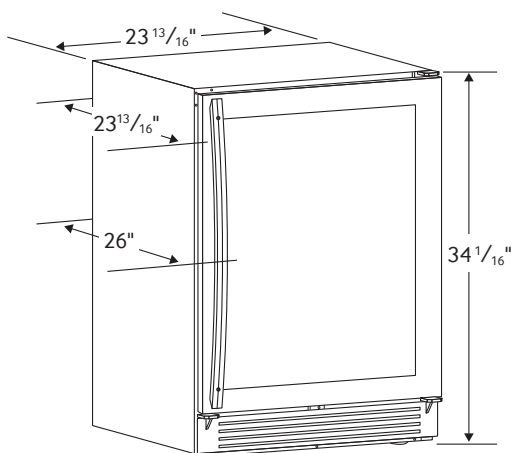
Model

RW51TS338SR

UPC Code

887276451428

Dimensions



NOTE: Please allow 3 3/4" of clearance when installing along a wall.

