

Café™ Dishwasher Drawer

CDD420P2TS1 / CDD420P3TD1 / CDD420P4TW2

CAFÉ



CDD420P2TS1
Stainless Steel with
Brushed Stainless handle



ALSO
AVAILABLE IN



CDD420P3TD1
Matte Black with
Brushed Stainless
handle



CDD420P4TW2
Matte White with
Brushed Bronze
handle

FEATURES & BENEFITS

Double Drawer – Experience the convenience of two drawers that you can use independently to wash everything from heirloom place settings to casserole dishes with separate cycles.

Create a Look That Matches Your Personal Style – With this customizable dishwasher, you can combine any of the premium finishes and hardware options for a stylish appearance that's truly unique.

Small Load Setting – Wash every load with a clean conscience thanks to an energy efficient dishwasher with two special settings for conserving resources. Guilt-free Small Load is ideal for partial loads, while Eco-Cycle was designed to consume less energy and water.

Knock to Pause – Pause the dishwasher mid-cycle with a simple knock, then press Start/Play to resume.

Easy to Load & Unload – Keep bending to a minimum while you load and unload the conveniently placed, ergonomically designed upper drawer.

Accommodates Large Dish Loads – With two removable silverware baskets and enough capacity for 14 place settings, you can wash every item in a single load, even after the largest meals.

6 Wash Cycles – Go beyond the normal wash and dry with six cycles, plus Fast Dry, Sanitize and Ultra Dry options.

Water Leak Sensor – This dishwasher features Water Leak Sensor, preventing potential overflows for greater peace of mind. A water sensor cancels the wash cycle before a flood can occur and alerts you with blinking lights and a tone.

Fits Standard 24" Cutout – The dishwasher dimensions allow for easy installation in a standard 24" wide cutout.

Delay Start – A dishwasher delay function lets you set it to start while you're working, sleeping or out of the house.

Adjustable Racks – Never worry about how to load the dishwasher again thanks to the loading flexibility that comes with racks that can be adjusted to accommodate any item.

46 dBA Single Drawer & 49 dBA Double Drawer – This quiet dishwasher keeps your kitchen peaceful whether you're using one or both of the drawers.

Energy Star – Save power and money with an Energy Star certified, energy efficient dishwasher.

FEATURES

Style	Built-In Top Control
Tub and Door Liner	Gray Plastic
Tub Type	Double Drawer
Control Type	3 Touchpads Cap Touch Controls Top Controls
Dishwasher Control Features	Delay and Lock capabilities Audible End-of-Cycle Signal Non Sanitization Temp Error
Wash System	2 Completely Independent Wash Systems
Wash System Features	Automatic HotStart Automatic Temperature Control Single Pump Per Sytem (Identical Per Drawer) Water and Prime Regulator for Efficiency
Wash Arms	2 Total, 1 Per Drawer
Water Filtration System	100% Filtration
Dispenser	Rinse Aid
Number of Cycles	6
Dishwasher Cycles	China Express Normal Plus Pots Rinse
Number of Options	3
Dishwasher Options	Ultra Dry; Fast Dry; Sanitize
Rack Features	2 Long and 2 Short Articulating Plastic Utility Shelves with Stemsafe Fold Down and Adjustable Tines 2 piece Silverware Basket Ball-Tipped Tines Full Extension Slides
Racking Material	Nylon
Racking System	2 Racks with 2 Sets of Cup Shelves
Rack Color	Grigio
Number of Place Settings	Up to 14
Upper Drawer	4 Utility Shelves with StemSafe Fold Down Tines Silverware Basket with Cell Covers Upper Drawer Fits 13 Inch Plates
Lower Drawer	4 Utility Shelves with StemSafe Fold Down Tines Silverware Basket with Cell Covers Lower Drawer Fits 11 1/2 Inch Plates
Additional Protection	Active Flood Protect
Dishwasher Drying Features	Fan Assist Dry
Leveling System	4 Leveling Legs
Latch	Pull with Handle; Interior Lid Closes During Cycle
Showroom Power Mode	Yes
Exterior Style	Traditional

ECONOMICAL/QUIET

Quiet Package	46 dBA Single/ 49 dBA Double
Motor Type	Variable Speed, BLDC
Outer Wrap	Full Steel Inclosure
Door Insulation	Yes

Café™ Dishwasher Drawer

CDD420P2TS1 / CDD420P3TD1 / CDD420P4TW2



WEIGHTS & DIMENSIONS

Cabinet Width	24 in
Approximate Shipping Weight	125 lb
Net Weight	120 lb
Overall Height	34 in
Height w/ Legs Retracted - Minimum Height	34 in
Height w/Legs Extended - Maximum Height	36-3/8 in
Overall Depth	21-3/4 in
Overall Depth with Handle	25-1/8 in
Overall Width	23-9/16 in

APPEARANCE

Color Appearance	Stainless Steel
Door Style	2 Drawer Fronts
Installation	Built-Up Floor Capable Flush Cabinet Installation Side Installation or Top Installation Included
Door Appearance	2 Drawer Fronts
Handle	Café™
Handle Color	Brushed Stainless
Handle Design	Customizable
Control Panel Color	Grey

TECHNICAL DETAILS

Calrod Heater Watts	503
Power Connection	Power Cord - Included
Volts/Hertz/Amps	Single Drawer, 4.7 Amps Both Drawers, 9.4 Amps

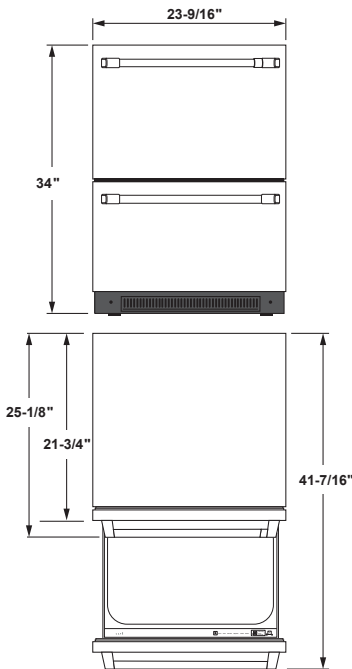
ACCESSORIES

Optional Kit	CXQD2H2PNBZ - Brushed Bronze CXQD2H2PNSS - Brushed Stainless CXQD2H2PNBT - Brushed Black CXQD2H2PNCU - Brushed Copper
Drain Hose	WD24X30798

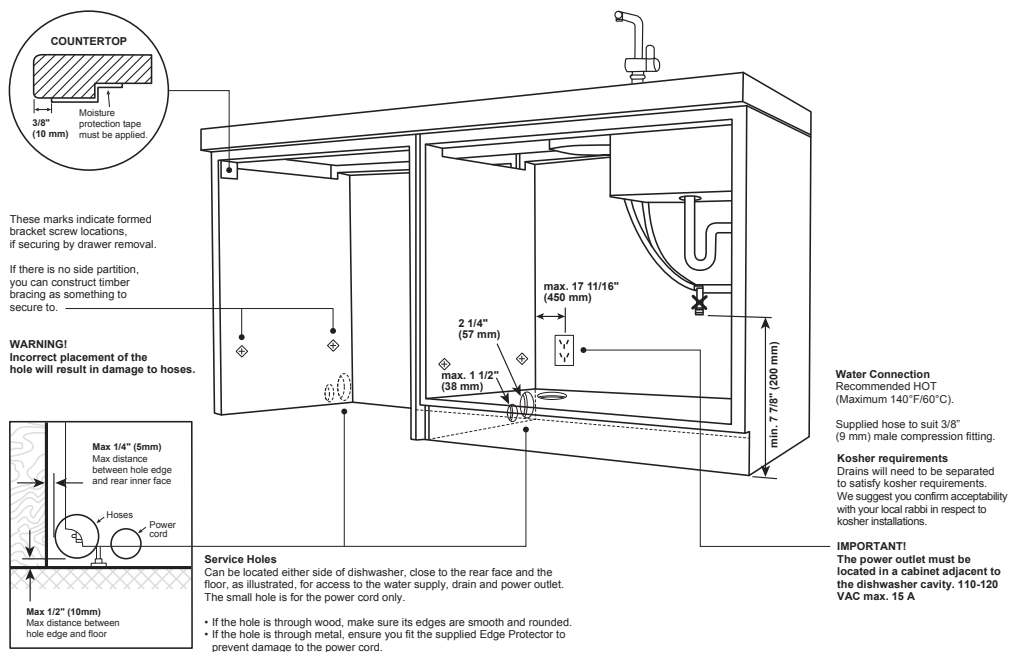
WARRANTY

Parts warranty	Limited 1-year entire appliance
Labor warranty	Limited 1-year entire appliance
Warranty notes	See written warranty for full details

DIMENSIONS



INSTALLATION DIMENSIONS



ADDITIONAL ACCESSORIES



Brushed Bronze
CXQD2H2PNBZ



Brushed Stainless
CXQD2H2PNSS



Brushed Black
CXQD2H2PNBT



Brushed Copper
CXQD2H2PNCU

For answers to your Café™ product questions, visit our website at cafeappliances.com.