

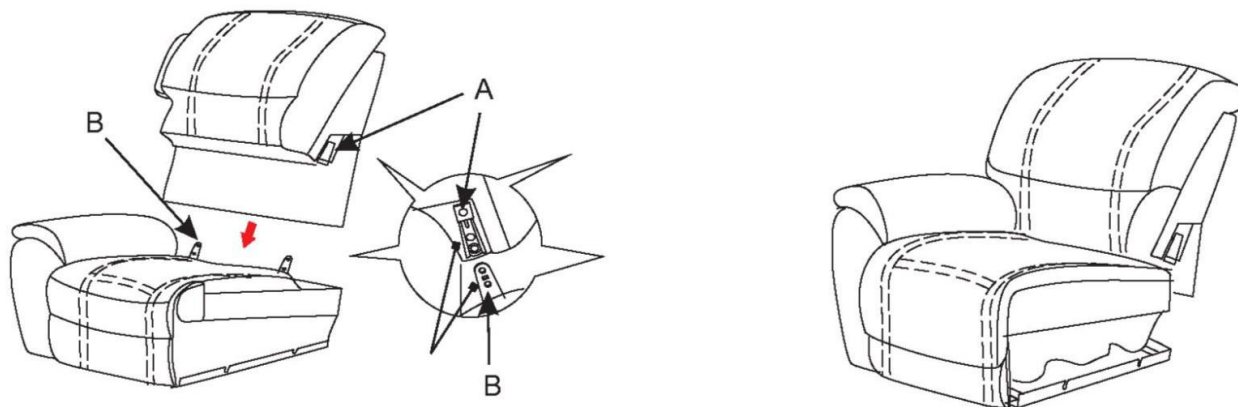


Parker Living  
P · R · E · S · T · I · G · E

# Assembly Instructions

## **BACK ASSEMBLY INSTRUCTIONS:**

Your furniture is shipped with the back off to reduce packaging materials and increase shipping efficiency. To assemble the back, align the female clips (A) on the back with the male brackets (B). Push down to lock into place.



## **SECTIONAL ASSEMBLY INSTRUCTIONS:**

To connect your sectional pieces start with the piece on the right side when facing the sectional (#1). Hook the pins of the piece you want next to it into the slots on the bottom of item #1, continue connecting the remaining sectional pieces in order. You can configure the pieces many ways. To disconnect, go in the reverse direction, in the drawing below you would begin with #6.

