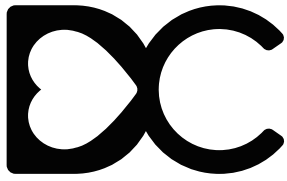




Read all instructions  
before assembly and use.  
KEEP INSTRUCTIONS FOR  
FUTURE USE.

Lisez toutes les instructions avant  
l'assemblage et l'utilisation.  
CONSERVEZ LES INSTRUCTIONS  
POUR UN USAGE ULTERIEUR.

Lea todas las instrucciones  
antes de ensamblar y usar.  
MANTENGA LAS INSTRUCCIONES  
PARA SU USO FUTURO.

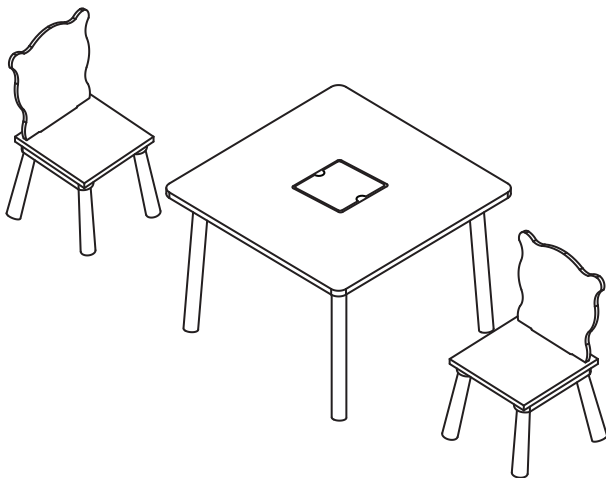


DELTACHILDREN

### Character Chair Set With Table

Ensemble table et chaises de  
personnages

Juego de sillas de personajes  
con mesa



### ⚠ ADULT ASSEMBLY REQUIRED

Due to the presence of small parts during assembly, keep out of reach of children until assembly is complete.

### ⚠ L'ASSEMBLAGE DOIT ETRE FAIT PAR UN ADULTE

A cause de la presence de petites pieces, pendant l'assemblage gardez hors de portee des enfants jusqu'a ce que celui-ci soit termine.

### ⚠ DEBE SER ENSAMBLADO POR UN ADULTO

Debido a la presencia de piezas pequeñas durante el ensamblaje, mantenga fuera del alcance de los niños hasta que complete el ensamblaje.

This product is not intended for institutional or commercial use.  
Ce produit ne pas destine a un usage institutionnel ou commercial.  
Este producto no esta hecho para uso institucional o comercial.

#### NEED EXTRA HELP?

We make assembly easy with  
our tips & tricks video

[https://www.deltachildren.com/  
pages/instructions](https://www.deltachildren.com/pages/instructions)

#### BESOIN D'AIDE SUPPLÉMENTAIRE?

Nous facilitons l'assemblage avec  
nos trucs et astuces vidéo

[https://www.deltachildren.com/  
pages/instructions](https://www.deltachildren.com/pages/instructions)

#### ¿NECESITA AYUDA EXTRA?

Hacemos el montaje fácil con  
nuestros consejos y trucos video

[https://www.deltachildren.com/  
pages/instructions](https://www.deltachildren.com/pages/instructions)

When contacting Delta Consumer Care, please reference the information on the Product Information label found on the product.

Lorsque vous contactez le Service après Vente de Delta, veuillez nous donner les références sur l'étiquette d'Information qui se trouve sur le produit.

Cuando contacte al Servicio de Atención al Consumidor de Delta por favor mencione los datos que aparecen en la etiqueta de información que se encuentra en el producto.



Product information label  
L'étiquette d'information  
Etiqueta de información

### Consumer Care:

Delta Children's Products Corp  
114 West 26th Street New York, NY 10001

Tel: (646) 435-8728

Email: [tcs@DeltaChildren.com](mailto:tcs@DeltaChildren.com)

<https://www.deltachildren.com/pages/instructions>



# SAVE BIG WITH DELTA CHILDREN

Visit [Deltachildren.com](http://Deltachildren.com) To Start Shopping

Welcome to the  
**DELTA FAMILY**  
Here's a Gift From Us To You

**10% OFF**

Your Next Purchase From  
**DeltaChildren.com**

USE CODE:  
**DELTA10**

\*Exclusions Apply  
\*Subject to Change

## REVIEW TO WIN \$2500

### RULES TO ENTER



"We LOVE, LOVE, LOVE this crib"

My husband was impressed with the directions and organization of the hardware package. He easily assembled this crib in an hour without any help. It's very sturdy and we like that it has adjustable levels for the mattress height. To top it all off, it's so incredibly darling!!!

- 1** **WRITE A REVIEW** for this product on the store's website from where it was purchased
- 2** **TAKE A SCREENSHOT** of your review and upload it to [www.DeltaChildren.com/Review](http://www.DeltaChildren.com/Review)
- 3** **IT'S THAT EASY!** Upon submission, you'll be instantly **ENTERED TO WIN \$2,500**

### FOLLOW US FOR MORE CHANCES TO WIN



### SCAN HERE



For more information  
and to see all of our  
products





## **WARNING**

- DO NOT place this product near a window as it can be used as a step by the child and cause the child to fall out of the window.
- Be aware of the risk of open fires and other sources of strong heat in the vicinity of the product.
- DO NOT place this product near a window where cords from blinds or curtains could strangle a child.

## **AVERTISSEMENT**

- NE placez PAS ce produit près d'une fenêtre, car l'enfant pourrait l'utiliser comme marchepied et le faire tomber par la fenêtre.
- Soyez prudent avec les feux ouverts et autres sources de chaleur intense à proximité du produit.
- NE placez PAS ce produit près de fenêtres où les cordons des stores ou des rideaux pourraient étrangler un enfant.

## **ATTENTION**

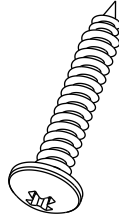
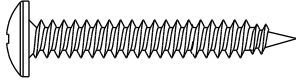
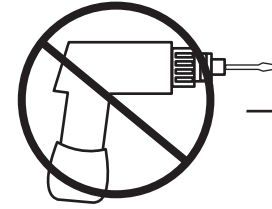
- NO coloque este producto cerca de una ventana, ya que el niño puede utilizarlo como escalón y provocar su caída por la ventana.
- Tenga cuidado con incendios abiertos y otras fuentes de calor intenso en las proximidades del producto.
- NO coloque este producto cerca de ventanas donde los cordones de las persianas o cortinas puedan estrangular a al niño.



**PARTS:** HARDWARE KITS PART-32781

**PIÈCES:** PIÈCES DU KIT DE QUINCAILLERIE-32781

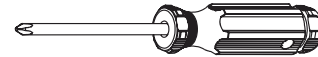
**PIEZAS:** EL KIT DE HERRAMIENTAS-PIEZA-32781



AA x 4  
M5 x 35MM

**No drills necessary.**  
Do not use power screwdriver.  
**Aucun perçage nécessaire.**  
Veuillez ne pas utiliser de tournevis électriques.

**No hace falta taladrar.**  
No utilice destornilladores eléctricos



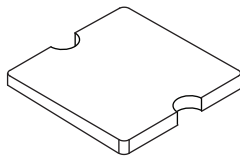
Phillips Screwdriver (Not Provided)  
Tournevis curciform (non fourni)  
Destornillador Phillips (No incluido)

PARTS: MAKE SURE THAT ALL PRE-ASSEMBLED PARTS ARE TIGHT

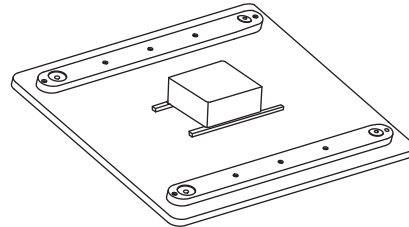
PIÈCES: VEUILLEZ VOUS ASSURER QUE TOUTES LES PIÈCES PRÉ-ASSEMBLÉS SONT BIEN SÉRRÉES

PIEZAS: ASEGÚRESE DE QUE TODAS LAS PIEZAS PRE-ENSAMBLADAS ESTÁN BIEN APRETADAS.

1 x  
A



1 x  
B

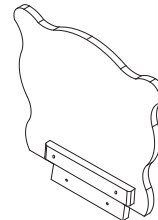


4 x  
C

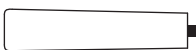


33568

2 x  
D

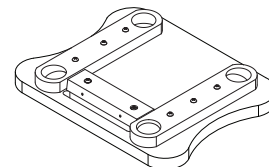


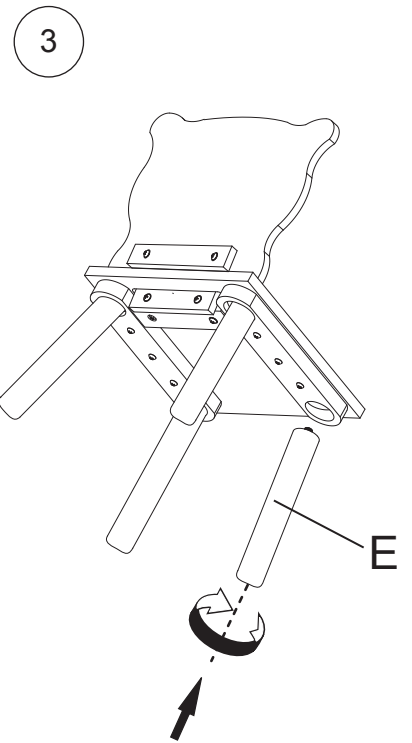
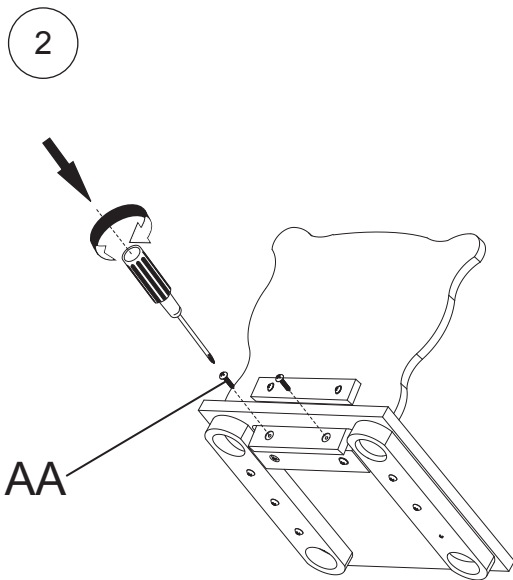
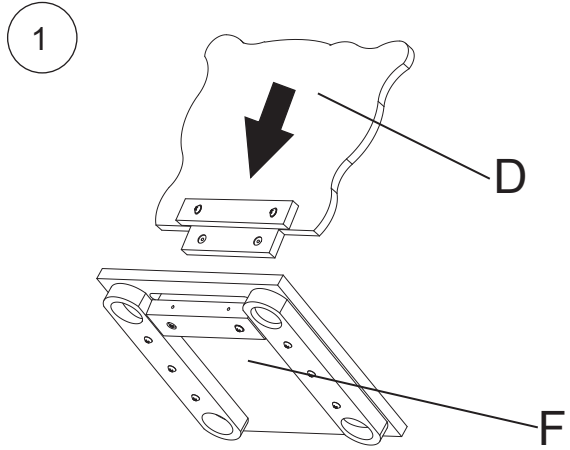
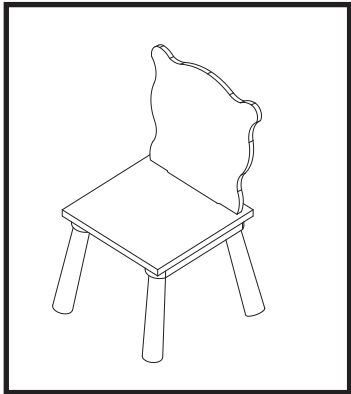
8 x  
E

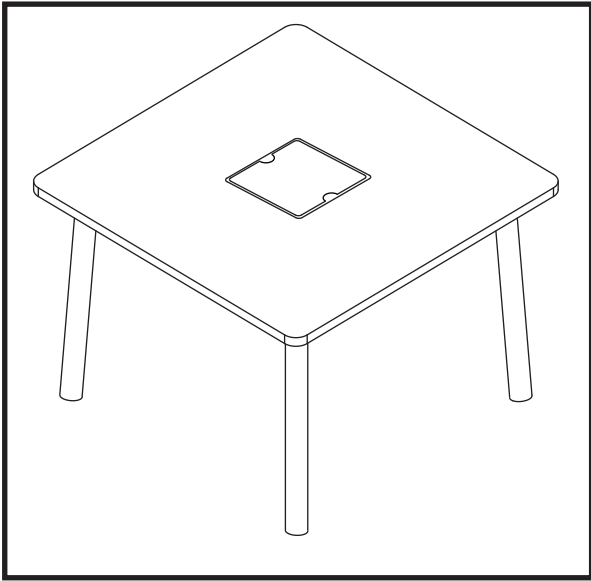


33567

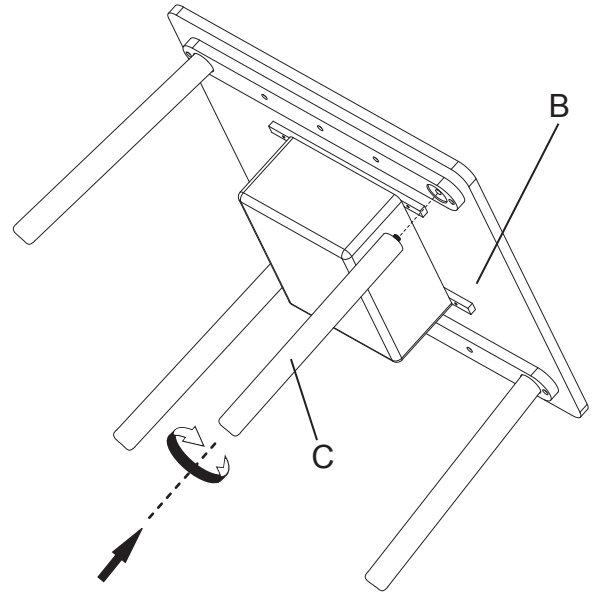
2 x  
F



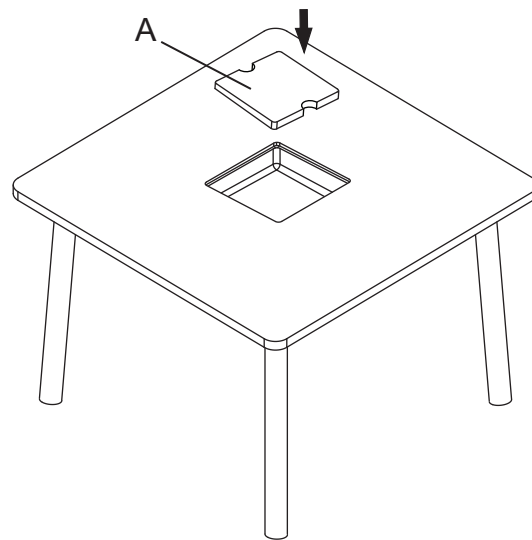




1



2



# WHY CHOOSE DELTA CHILDREN?

Visit [Deltachildren.Com/Pages/Our-Story](http://Deltachildren.Com/Pages/Our-Story) for more information

<p><b>DELTA LEADS</b> 1 Out Of 2 Children In The U.S. Sleep In Our Products</p>	<p><b>DELTA GIVES</b> 10% Of Our Proceeds Go Toward Improving The Lives Of Children</p>	<p><b>DELTA CARES</b> We Test Above &amp; Beyond Industry Safety Standards</p>	<p><b>DELTA IS DEDICATED</b> Our Family-Run Company Has Been There For Your Family Since 1968</p>	<p><b>DELTA GROWS WITH YOU</b> We Have Products For Every Age And Stage</p>	<p><b>Over 50 Years Of Safety, Style &amp; Innovation</b></p>
---	---	--	---	---	---

Welcome to the  
**DELTA FAMILY**  
Here's a Gift From Us To You












**10% OFF**

Your Next Purchase From  
[DeltaChildren.com](http://DeltaChildren.com)

USE CODE:  
**DELTA10**

\*Exclusions Apply  
\*Subject to Change

## PRODUCTS FOR EVERY AGE AND STAGE

 CRIBS	 STROLLERS	 GLIDERS	 BASSINETS	 MATTRESSES	
 BABY GEAR	 TODDLER BEDS	 PLAYROOM FURNITURE	 TWIN BEDS	 BINS & ORGANIZERS	 DRESSERS

## OUR FAMILY OF TOP BRANDS



OVER 50 YEARS OF SAFETY, STYLE, AND INNOVATION



- 1.Revision Date: 2018/03/24 Revision Note: Change the instruction language consequence,  
increase total language from 5 to 6 languages

---

- 2.Revision Date: 2018/05/31 Revision Note: Update the instruction manual first page,  
add the company logo and email address

---

- 3.Revision Date:2018/11/01 Revision Note: amend product description from TABLE & 2 CHAIR SET to  
Character Chair Set With Table,Update the instructions for using the new version.

---

- 4.Revision Date:2019/03/01 Revision Note: Cancel the promotion page from the manual and change it to A4 paper double-sided  
printing brush holder.In the specification. Only for tables and chairs and multi-layer cloth pumping,

---

- 5.Revision Date:2019/06/15 Revision Note: According to the requirements of FJ factory (tables and chairs, cloth rack),  
the promotion page is added to the manual.

---

- 6.Revision Date:2020/08/28 Revision Note: Update the new version of Logo

---

- 7.Revision Date:2023/02/21 Revision Note: add the hardware size on instruction manual,

---

- 8.Revision Date:2024/04/30 Revision Note: Add the part number,Add a warning on page 3,

Remark: This page is only for record the change of instruction sheet.  
Please Do Not print out this page in testing and production stage.

**注：此页面仅为更新记录，测试，大货不用印刷此页，**