

Refrigerator

User manual

Free Standing Appliance

SAMSUNG

Contents

Safety information	4
What you need to know about the safety instructions	4
Important safety symbols and precautions:	5
State of California Proposition 65 Warning	5
Important safety precautions	5
Severe warning signs for transportation and site	7
Critical installation warnings	7
Installation cautions	9
Critical usage warnings	9
Usage cautions	13
Cleaning cautions	14
Critical disposal warnings	15
Installation	16
Refrigerator at a glance	17
Step-by-step installation	21
Operations	44
Main panel	44
SmartThings	53
Recommendations for voice recognition	56
SMART GRID Function (Demand Response)	56
Special features	59
Maintenance	74
Handling and care	74
Cleaning	80
Replacement	82

Troubleshooting	85
General	85
Do you hear abnormal sounds from the refrigerator?	91
SmartThings	93
LCD	94
Smart Grid	95
LIMITED WARRANTY (U.S.A.)	96
SAMSUNG REFRIGERATOR	96
Warranty Information (CANADA)	99
If your refrigerator needs service	99
Limited Warranty for Original Purchaser	99
Obligation to the Original Owner	100
Exclusions of the Warranty	100
Regulatory Notice	101
FCC Notice	101
IC Notice	102
Open Source Announcement	103

Safety information

Before using your new Samsung Refrigerator, please read this manual thoroughly to ensure that you know how to operate the features and functions that your new appliance offers safely and efficiently.

What you need to know about the safety instructions

- This appliance is not intended for use by persons (including children) with reduced physical, sensory or mental capabilities, or lack of experience and knowledge, unless they have been given supervision or instruction concerning use of the appliance by a person responsible for their safety. Children should be supervised to ensure that they do not play with the appliance.
- Because the following instructions cover various models, the characteristics of your refrigerator may differ slightly from the refrigerator described in this manual.
- If you have any question, contact us at 1-800-SAMSUNG or find help and information online at www.samsung.com.
- Refrigerant squirting out of the pipes could ignite or cause an eye injury. When refrigerant leaks from the pipe, avoid any naked flames and move anything flammable away from the product and ventilate the room immediately.
 - Failing to do so may result in fire or explosion.
- Improper use of the grounding plug can result in a risk of electric shock. If it is necessary to use an extension cord, use only a 3-wire extension cord that has a 3-blade grounding plug and a 3-slot receptacle that will accept the plug on the appliance. The marked rating of the extension cord should be AC 115-120 V, 10 A, or more. If a grounding adapter is used, make sure the receptacle box is fully grounded.

Important safety symbols and precautions:

Please follow all safety instructions in this manual. This manual uses the following safety symbols.

WARNING

Hazards or unsafe practices that may result in **severe personal injury, property damage, and/or death.**

CAUTION

Hazards or unsafe practices that may result in **severe personal injury and/or property damage.**

NOTE

Useful information that helps users understand or benefit from the refrigerator.

These warning signs are here to prevent injury to you and others.

Please follow them carefully.

After reading this section, keep it in a safe place for future reference.

State of California Proposition 65 Warning

WARNING

Cancer and Reproductive Harm - www.P65Warnings.ca.gov.

Important safety precautions



WARNING; Risk of fire / flammable materials

WARNING

- R-600a is used as a refrigerant. This product contains flammable gas (Refrigerant R-600a), contact your local authority in regard to safe disposal of this product.
- In order to avoid the creation of a flammable gas-air mixture if a leak in the refrigerating circuit occurs, the size of the room in which the appliance may be sited depends on the amount of refrigerant used. The room must be 35.3 ft³ in size for every 8 g of R-600a refrigerant inside the appliance.

Safety information

- The installation location should not be exposed to direct sunlight and not placed near any electric appliance or heat source, e.g. stove, oven or hob, radiator, etc.
- If you use two products side by side, for safety reason, be sure to use certified products in explosive gas atmospheres.
- Never start up an appliance showing any signs of damage. If in doubt, consult your dealer.
- If the supply cord is damaged, it must be replaced by the manufacturer, its service agent or similarly qualified persons in order to avoid a hazard.
- The socket must be easily accessible so that the appliance can be quickly disconnected from the supply in an emergency. It must be outside the area of the rear of the appliance.
- Do not store explosive substances such as aerosol cans with a flammable propellant in this appliance.
- New hose-sets supplied with the appliance are to be used and that old hose-sets should not be reused.
- When positioning the appliance, ensure the supply cord is not trapped or damaged.
- Do not locate multiple portable socket-outlets or portable power supplies at the rear of the appliance.

WARNING

- Fill with potable water only.
- Keep ventilation openings, in the appliance enclosure or in the built-in structure, clear of obstruction.
- Do not use mechanical devices or other means to accelerate the defrosting process, other than those recommended by the manufacturer.
- Do not damage the refrigerant circuit.
- Do not use electrical appliances inside the food storage compartments of The appliance, unless they are of the type recommended by the manufacturer.
- Connect to potable water supply only.

WARNING

- Risk of child entrapment. Before you throw away your old refrigerator or freezer:
 - Take off the doors.
 - Leave the shelves in place so that children may not easily climb inside.

This appliance is intended to be used in household and similar applications such as

- staff kitchen areas in shops, offices and other working environments;
- farm houses and by clients in hotels, motels and other residential type environments;
- bed and breakfast type environments;
- catering and similar non-retail applications.

Severe warning signs for transportation and site

WARNING

- When transporting and installing the appliance, care should be taken to ensure that no parts of the refrigerating circuit are damaged.
 - Refrigerant leaking from the pipe work could ignite or cause an eye injury. If a leak is detected, avoid any naked flames or potential sources of ignition and air the room in which the appliance is standing for several minutes.
 - This appliance contains a small amount of isobutane refrigerant (R-600a), a natural gas with high environmental compatibility that is, however, also flammable.

Critical installation warnings

WARNING

- Do not install the refrigerator in a damp location or place where it may come in contact with water.
 - Deteriorated insulation on electrical parts may cause an electric shock or fire.
- Do not place this refrigerator in direct sunlight or expose it to the heat from stoves, room heaters, or other appliances.
- Do not plug several appliances and the refrigerator into the same multiple power strip. The refrigerator should always be plugged into its own individual electrical outlet which has a voltage rating that matches the voltage listed on the refrigerator's rating plate.
 - This provides the best performance and also prevents overloading of house wiring circuits, which could overheat the wires and cause a fire hazard.
- If the wall socket is loose, do not insert the power plug.
 - There is a risk of electric shock or fire.
- Do not use a power cord that has cracks or abrasion damage along its length or at either end.
- Do not bend the power cord excessively or place heavy objects on it.
- Do not pull or excessively bend the power cord.
- Do not twist or tie the power cord.
- Do not hook the power cord over a metal object, place a heavy object on the power cord, insert the power cord between objects, or push the power cord into the space behind the appliance.
- When moving the refrigerator, be careful not to roll over or damage the power cord.
 - This may result in an electric shock or fire.

Safety information

- Never unplug your refrigerator by pulling on the power cord. Always grip the plug firmly and pull straight out from the outlet.
 - Damage to the cord may cause a short-circuit, fire, and/or electric shock.
- Do not install this appliance near a heater or flammable material.
- Do not install this appliance in a location where gas may leak.
 - This may result in an electric shock or fire.
- This refrigerator must be properly located and installed in accordance with the instructions in this manual before you use it.
- Connect the power plug in the proper position with the cord hanging down.
 - If you connect the power plug upside down, the wire can get cut off and cause a fire or electric shock.
- Make sure that the power plug is not crushed or damaged by the back of the refrigerator.
- Keep the packing materials out of reach of children.
 - There is a risk of death from suffocation if a child puts the packing materials on his or her head.
- The appliance must be positioned so that the plug is accessible after installation.
 - Failing to do so may result in an electric shock or fire due to electric leakage.
- Do not install this appliance in a humid, oily or dusty location, or in a location exposed to direct sunlight or to water (rain drops).
 - Deteriorated insulation on electrical parts may cause an electric shock or fire.
- If large amounts of dust or water enter the refrigerator, disconnect the power plug and contact a Samsung Electronics service center.
 - Otherwise there is a risk of fire.
- Do not stand on top of the appliance or place objects (such as laundry, lighted candles, lighted cigarettes, dishes, chemicals, metal objects, etc.) on the appliance.
 - This may result in an electric shock, fire, problems with the product, or injury.
- You need to remove all the protective plastic film before you initially plug the product in.
- Children should be supervised to ensure that they do not play with the snap rings used for door adjustment or the water tube clips.
 - There is risk of death by suffocation if a child swallows a snap ring or water tube clip. Keep the snap rings and water tube clips out of children's reach.
- The refrigerator must be safely grounded.
 - Always make sure that you have grounded the refrigerator before attempting to investigate or repair any part of the appliance. Power leakages can cause severe electric shock.

-
- Never use gas pipes, telephone lines, or other potential lightning attractors as an electrical ground.
 - You must ground the refrigerator to prevent any power leakages or electric shocks caused by current leakage from the refrigerator.
 - Current leakage may result in an electric shock, fire, explosion, or problems with the product.
 - Plug the power plug into the wall socket firmly. Do not use a damaged power plug, damaged power cord, or loose wall socket.
 - This may result in an electric shock or fire.
 - Only a qualified technician or service company should be allowed to change the fuse in the refrigerator.
 - Failing to do so may result in an electric shock or personal injury.

Installation cautions

CAUTION

- Allow sufficient space around the refrigerator and install it on a flat surface.
 - Keep the ventilation space in the appliance enclosure or mounting structure clear of obstructions.
- After you have installed the refrigerator and turned it on, allow the appliance to stand for 2 hours before loading it with food.
- It is strongly recommended you have a qualified technician or service company install the refrigerator.
 - Failing to do so may result in an electric shock, fire, explosion, problems with the product, or injury.
- Overloading one door may make the refrigerator fall, causing physical injury.

Critical usage warnings

WARNING

- Do not insert the power plug into a wall socket with wet hands.
 - This may result in an electric shock.
- Do not store articles on the top of the appliance.
 - When you open or close the door, the articles may fall and cause personal injury and/or material damage.

Safety information

- Do not insert hands, feet, or metal objects (such as chopsticks, etc.) into the bottom or the back of the refrigerator.
 - This may result in an electric shock or injury.
 - Any sharp edges may cause a personal injury.
- Do not touch the inside walls of the freezer or products stored in the freezer with wet hands.
 - This may cause frostbite.
- Do not put a container filled with water on the refrigerator.
 - If spilled, there is a risk of fire or electric shock.
- Do not keep volatile or flammable objects or substances (benzene, thinner, propane gas, alcohol, ether, LP gas, and other such products) in the refrigerator.
 - This refrigerator is for storing food only.
 - This may result in fire or explosion.
- Children should be supervised to ensure that they do not play with the appliance.
 - Keep fingers out of “pinch point” areas. Clearances between the doors and cabinet are necessarily small. Be careful when you open the doors if children are in the area.
- Do not let children hang on the door or door bins. A serious injury may occur.
- Do not let children go inside the refrigerator. They could become trapped.
- Do not insert your hands into the area under the appliance.
 - Any sharp edges may cause personal injury.
- Do not store pharmaceutical products, scientific materials, or temperature sensitive products in the refrigerator.
 - Products that require strict temperature controls must not be stored in the refrigerator.
- Do not place or use electrical appliances inside the refrigerator/freezer, unless they are of a type recommended by the manufacturer.
- If you smell smoke, pull out the power plug immediately, and then contact a Samsung Electronics service center.
- If large amounts of dust or water enter the refrigerator, disconnect the power plug and contact your Samsung Electronics service center.
 - Otherwise there is a risk of fire.
- Do not let children step on a drawer.
 - The drawer may break and cause them to slip.
- Do not leave the doors of the refrigerator open while the refrigerator is unattended and do not let children enter the refrigerator.
- Do not allow babies or children to go into a drawer.
 - It can cause death from suffocation by entrapment or personal injury.

-
- Do not overfill the refrigerator with food.
 - When you open the door, an item may fall out and cause personal injury or material damage.
 - Do not spray volatile material such as insecticide onto the surface of the appliance.
 - As well as being harmful to humans, it may also result in an electric shock, fire, or problems with the product.
 - Never put fingers or any objects into the water dispenser outlet, ice chute, or ice maker bucket.
 - It may cause a personal injury or material damage.
 - Do not use or place any substances sensitive to temperature such as flammable sprays, flammable objects, dry ice, medicine, or chemicals near or inside the refrigerator.
 - Do not use a hair dryer to dry the inside of the refrigerator. Do not place a lighted candle in the refrigerator to remove bad odors.
 - This may result in an electric shock or fire.
 - Fill the water tank and ice cube trays with potable water only (tap water, mineral water, or purified water).
 - Do not fill the tank with tea, juice, or a sports drink. They can damage the refrigerator.
 - Do not stand on top of the appliance or place objects (such as laundry, lighted candles, lighted cigarettes, dishes, chemicals, metal objects, etc.) on the appliance. This may result in an electric shock, fire, problems with the product, or injury. Do not put a container filled with water on the appliance.
 - If spilled, there is a risk of fire or electric shock.
 - Never stare directly at the UV LED lamp for long periods of time.
 - This may result in eye strain due to the ultraviolet rays.
 - Do not put a fridge shelf into the refrigerator upside down. The shelf stopper will not work.
 - The glass shelf could fall and cause personal injury.
 - Keep fingers out of “pinch point” areas. Clearances between the doors and cabinet are necessarily small. Be careful when you open the doors if children are in the area.
 - If a gas leak is detected, avoid any naked flames or potential sources of ignition, and air the room in which the appliance is standing for several minutes.
 - Do not touch the appliance or power cord.
 - Do not use a ventilating fan.
 - A spark may result in an explosion or fire.
 - Use only the LED Lamps provided by the manufacturer or its service agents.
 - Bottles should be stored tightly together so that they do not fall over or out.
 - This product is intended only for the storage of food in a domestic environment.

Safety information

- Never put fingers or any objects into the water dispenser outlet, ice chute, or ice maker bucket.
 - This can cause a personal injury or material damage.
- Do not attempt to repair, disassemble, or modify the refrigerator yourself.
 - Unauthorized modifications can cause safety problems. To reverse an unauthorized modification, we will charge the full cost of parts and labor.
- Do not use any fuse (such as cooper, steel wire, etc.) other than a standard fuse.
- If your refrigerator needs to be repaired or reinstalled, contact your nearest Samsung service center.
 - Failing to do so may result in an electric shock, fire, problems with the product, or injury.
- If the interior or exterior LED lamp has gone out, contact your nearest Samsung service center.
- If the refrigerator emits a burning smell or smoke, unplug the refrigerator immediately and contact a Samsung service center.
 - Failing to do so may result in an electric or fire hazards.
- Pull the power plug out of the socket before changing the interior lamps of the refrigerator.
 - Otherwise, there is a risk of electric shock.
- If you experience difficulty changing a non-LED light, contact a Samsung service center.
- If the product is equipped with LED lamps, do not disassemble the Lamp Covers and LED lamps yourself.
 - Contact a Samsung service center.
- Plug the power plug into the wall socket firmly.
- Do not use a damaged power plug, damaged power cord, or loose wall socket.
 - This may result in an electric shock or fire.

Usage cautions

CAUTION

- Do not re-freeze frozen foods that have thawed completely.
- Use only the ice maker provided with the refrigerator.
- To get the best performance from the product:
 - Do not place food too close to the vents at the rear of the refrigerator as this can obstruct free air circulation in the refrigerator compartment.
 - Wrap food up properly or place it in airtight containers before putting it into the refrigerator.
 - Please observe maximum storage times and expiration dates of frozen goods.
- Do not put glass containers or bottles or carbonated beverages into the freezer.
 - The container may freeze and break, and this may result in injury.
- Service Warranty and Modification.
 - Any changes or modifications performed by a 3rd party on this finished appliance are not covered under Samsung warranty service, nor is Samsung responsible for safety issues that result from 3rd party modifications.
- Do not block the air vents inside the refrigerator.
 - If the air vents are blocked, especially with a plastic bag, the refrigerator can be over cooled. If a cooling period lasts too long, the water filter may break and cause water leakage.
- If the refrigerator is disconnected from the power supply, you should wait for at least five minutes before plugging it back in.
- If large amounts of water enter the refrigerator, pull out the power plug and contact a Samsung service center.
- Do not strike or apply excessive force to any glass surface.
 - Broken glass may result in a personal injury and/or property damage.
- Fill the water tank and ice cube trays with potable water only (tap water, mineral water, or purified water).
 - Do not fill the tank with tea, juice, or a sports drink. They can damage the refrigerator.
- If the refrigerator is flooded, shut off the power to the refrigerator and contact your nearest Samsung service center.
 - There is a risk of electric shock or fire.
- Do not keep vegetable oil in your refrigerator's door bins. The oil can solidify, making it foul-tasting and difficult to use. In addition, the open container can leak and the leaked oil can cause the door bin to crack. After opening an oil container, it is best to keep the container in a cool and shaded place such as a cupboard or pantry.
 - Examples of vegetable oil: olive oil, corn oil, grape-seed oil, etc.

Safety information

Cleaning cautions

CAUTION

- Do not spray water directly on the inside or outside of the refrigerator.
 - There is a risk of fire or electric shock.
- Do not use a hair dryer to dry the inside of the refrigerator.
- Do not place a lighted candle in the refrigerator to remove bad odors.
 - This may result in an electric shock or fire.
- Do not spray cleaning products directly on the display.
 - Printed letters on the display may come off.
- If any foreign substance such as water has entered the appliance, unplug the power plug and contact your nearest Samsung service center.
 - Failing to do so may result in an electric shock or fire.
- Use a clean, dry cloth to remove any foreign matter or dust from the power plug blades. Do not use a wet or damp cloth when cleaning the plug.
 - Otherwise, there is a risk of fire or electric shock.
- Do not clean the appliance by spraying water directly onto it.
- Do not use benzene, thinner, or Clorox (bleach) to clean the refrigerator.
 - They may damage the surface of the appliance and may cause a fire.
- Never put fingers or any objects into the dispenser outlet.
 - This can cause a personal injury or material damage.
- Before cleaning or performing maintenance, unplug the appliance from the wall socket.
 - Failing to do so may result in an electric shock or fire.
- Use a clean sponge or soft cloth and a mild detergent in warm water to clean the refrigerator.
- Do not use abrasive or harsh cleansers such as window sprays, scouring cleansers, flammable fluids, muriatic acid, cleaning waxes, concentrated detergents, bleaches, or cleansers containing petroleum products on exterior surfaces (doors and cabinet), plastic parts, door and interior liners, and gaskets.
 - These can scratch or damage the material.
- Do not clean glass shelves or covers with warm water when they are cold. Glass shelves and covers may break if exposed to sudden temperature changes or impacts such as bumping or dropping.

Critical disposal warnings

WARNING

- Children trapped inside a refrigerator can hurt themselves or suffocate to death.
- Please dispose of the packaging material from this product in an environmentally friendly manner.
- Ensure that none of the pipes on the back of the refrigerator are damaged prior to disposal.
- This product contains R-600a, a flammable gas, which is used as the refrigerant. Contact your local authorities regarding safe disposal of this product.
- When disposing of this refrigerator, remove the door/door seals and door latch so that small children or animals cannot become trapped inside. Children should be supervised to ensure that they do not play with the appliance.
 - If trapped inside, the child could be injured or suffocate to death.
- Cyclopentane is used in the insulation. The gases in the insulation material require a special disposal procedure. Please contact your local authorities in regard to the environmentally safe disposal of this product.
- Keep all packaging materials well out of the reach of children, as packaging materials can be dangerous to children.
 - If a child places a bag over his or her head, the child could suffocate.

Installation

Follow these instructions carefully to ensure a proper installation of this refrigerator and to prevent accidents before using it.

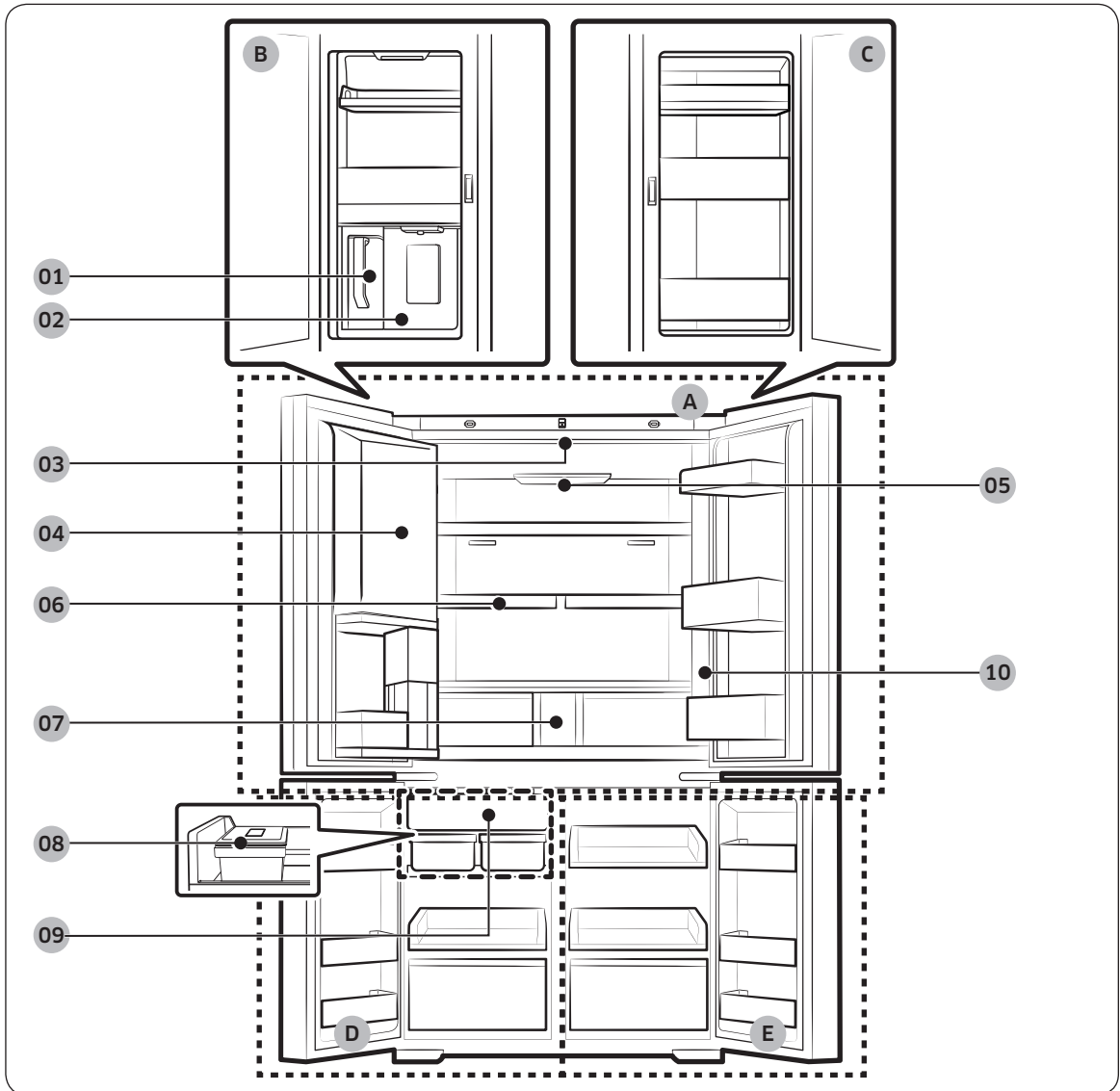
WARNING

- Use the refrigerator only for its intended purpose as described in this manual.
- Any servicing must be performed by a qualified technician.
- Dispose of the product packaging material in compliance with the local regulations.
- To prevent electric shock, unplug the power plug before servicing or replacing parts.

Refrigerator at a glance

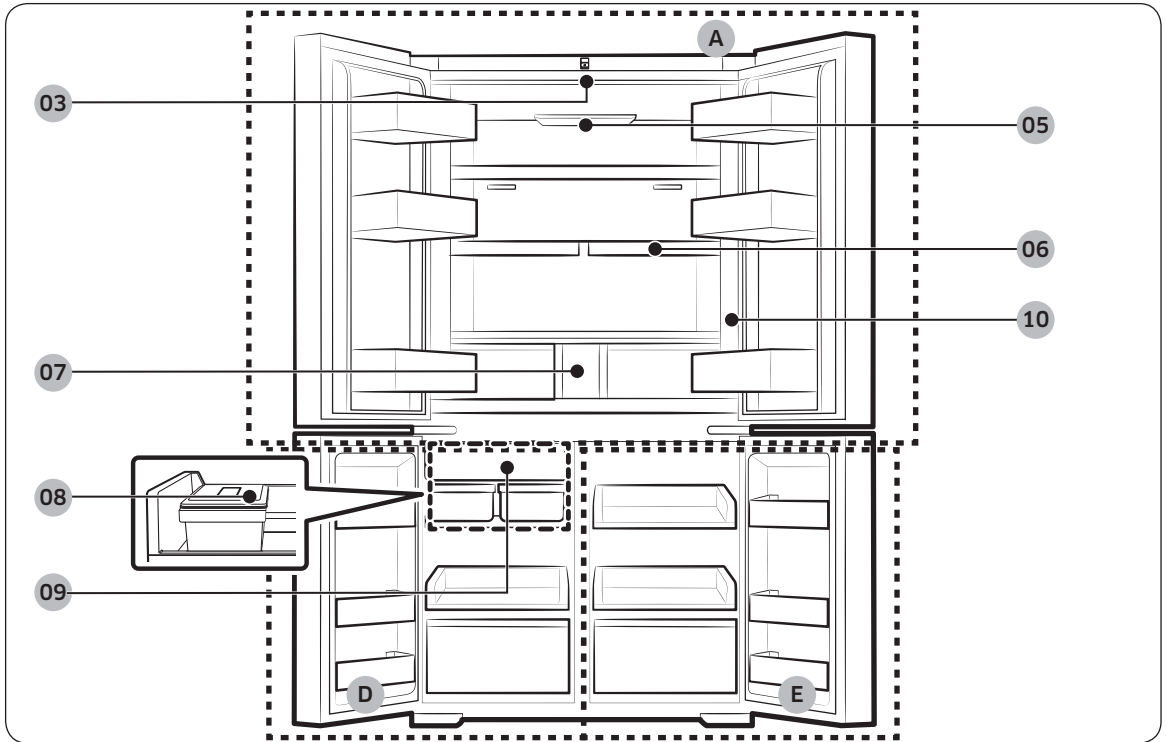
The actual refrigerator and provided component parts of your refrigerator may differ from the illustrations in this manual, depending on the model and the country.

Type A



Installation

Type B



- 01 AutoFill Pitcher **
- 02 Water dispenser **
- 03 Camera *
- 04 Beverage Zone *
- 05 UV Deodorizing Filter *
- 06 Quick Space shelf
- 07 Water filter **
- 08 Tray Ice Maker *
- 09 Auto Ice Maker **
- 10 Main panel * (General type)

- A. Fridge
- B. Beverage Center **
- C. Showcase door *
- D. Freezer
- E. FlexZone

* Applicable models only

** Dispenser models only

 **NOTE**

- For energy efficiency, keep all shelves, drawers, and baskets in their original positions.
- When closing the door, make sure the vertical hinged section is in the correct position to avoid scratching the other door.
- If the vertical hinged section is reversed, put it back into the correct position, and then close the door.
- Moisture may form at times on the vertical hinged section.
- If you close a door forcefully, the other door may open.
- If the internal or external LED lamp is out of order, contact a local Samsung service center.

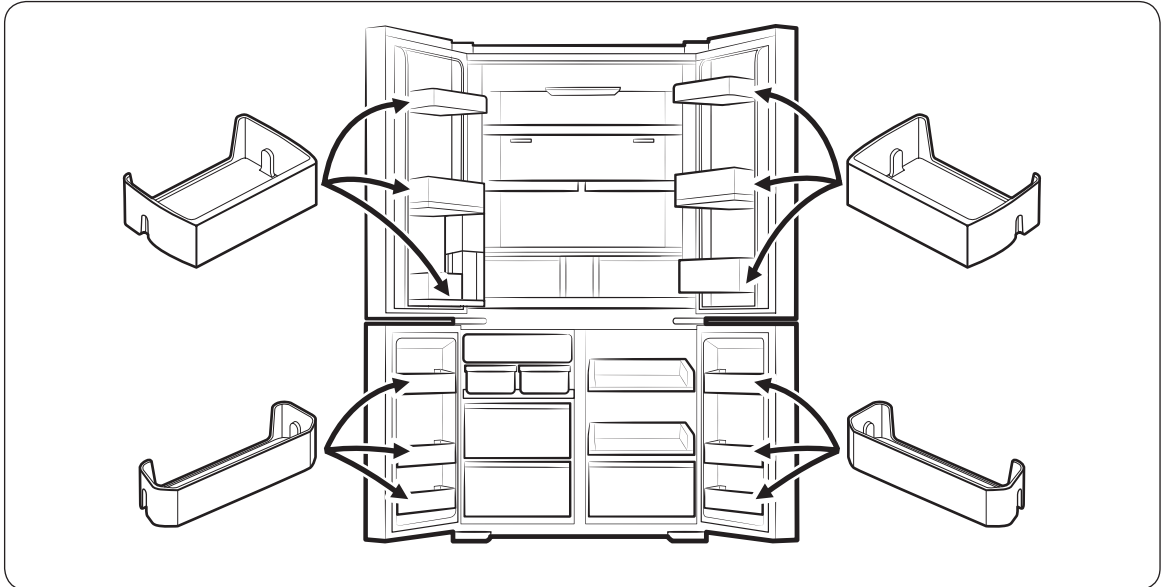
Installation

Door bins

Your refrigerator ships with door bins of different types and sizes. If the door bins for your refrigerator were packaged separately, use the figure below to help you position the bins properly.

NOTE

The actual refrigerator and provided component parts of your refrigerator may differ from the illustrations in this manual, depending on the model and the country.



Step-by-step installation

STEP 1 Select a site

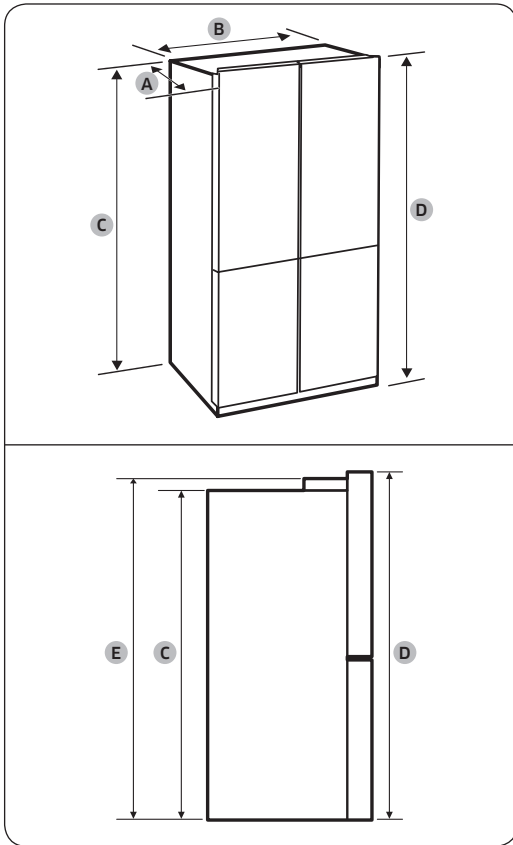
The site must:

- Have a solid level surface without carpeting or flooring that may obstruct ventilation
- Be out of direct sunlight
- Have adequate room for opening and closing the door
- Be away from any heat source
- Provide room for maintenance and servicing
- Have a temperature range between 50 °F (10 °C) and 110 °F (43 °C)

Installation

Clearance

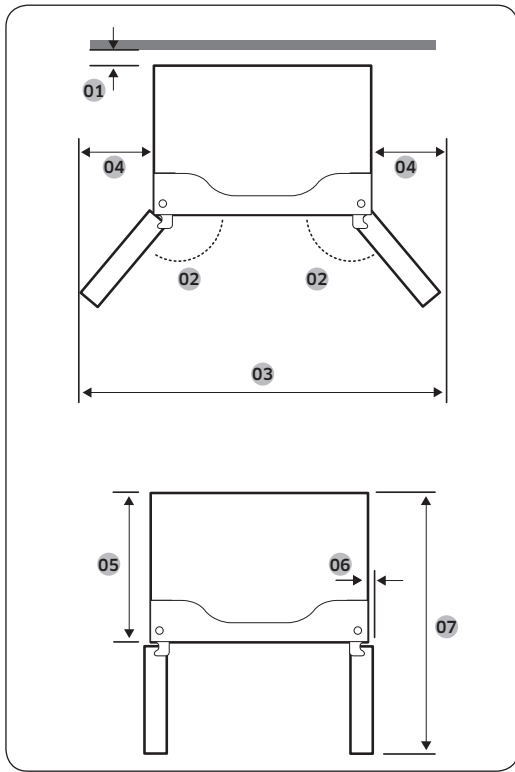
See the pictures and table below and on the next page for installation space requirements.



- A. Depth
- B. Width
- C. Height (without hinge)
- D. Overall Height
- E. Height (with hinge)

Model	RF23DB*****	RF23DG*****
A	28 ³ / ₄ " (731 mm)	28 ¹ / ₂ " (723 mm)
B	35 ⁷ / ₈ " (912 mm)	
C	70 ³ / ₄ " (1797 mm)	
D	73" (1853 mm)	72" (1830 mm)
E	72" (1830 mm)	

Model	RF29DB*****	RF29DG*****
A	34 ¹ / ₄ " (869 mm)	33 ⁷ / ₈ " (861 mm)
B	35 ⁷ / ₈ " (912 mm)	
C	70 ³ / ₄ " (1797 mm)	
D	73" (1853 mm)	72" (1830 mm)
E	72" (1830 mm)	



Model	RF23D*****	RF29D*****
01	more than 50 mm recommended	
02	125°	
03	59" (1498 mm)	
04	11 3/4" (295 mm)	
05	24" (610 mm)	29 3/8" (748 mm)
06	2 1/4" (55 mm)	
07	43" (1093 mm)	48 1/2" (1231 mm)

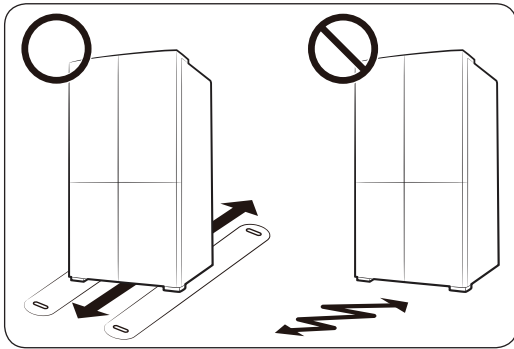
NOTE

The measurements of your refrigerator may differ from those listed above, depending on the measuring method.

Installation

STEP 2 Flooring

If the refrigerator cannot pass through the entrance due to its size, see **Door removal for entrance**.



NOTE

To prevent floor damage, make sure the front leveling legs are in the upright position.

- The surface you install the refrigerator on must support a fully loaded refrigerator.
- To protect the floor, put a large piece of cardboard along the path to the refrigerator's final installation location.
- Once the refrigerator is in its final position, do not move it unless necessary to protect the floor. If you have to move the refrigerator, place thick paper or cloth such as old carpets along the path of movement.

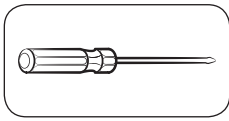
STEP 3 Door removal for entrance

If the refrigerator cannot pass through the entrance to your home or kitchen due to its size, follow these instructions to remove and then re-install the refrigerator's doors. If you do not need to remove the doors, go to page 33 to continue the installation procedure.

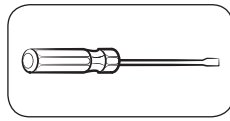
WARNING

Unplug the power cord of the refrigerator before removing the doors.

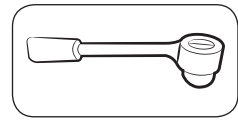
Tools required (not provided)



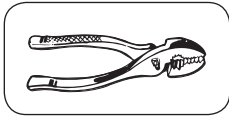
Phillips screwdriver



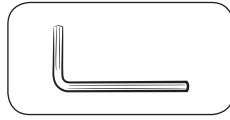
Flat-head screwdriver



Socket wrench $\frac{3}{8}$ " (10 mm)

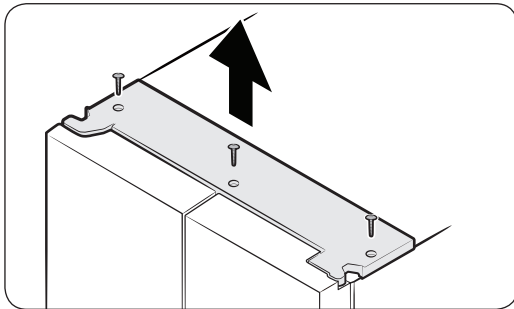


Pliers



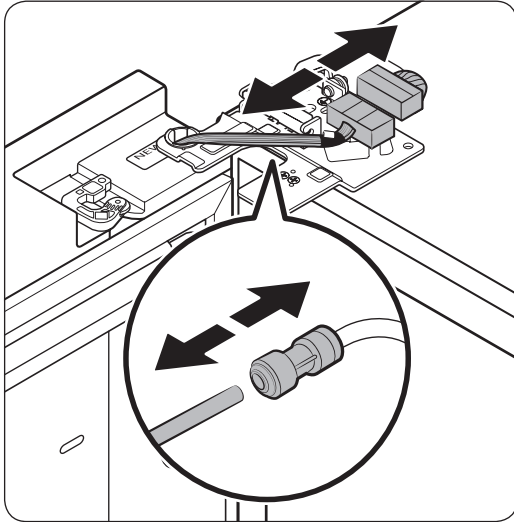
Allen wrench $\frac{1}{4}$ " (5 mm)

Detach the fridge doors



1. With the doors closed, use a Phillips screwdriver to remove the screws (x3) from the top cover. Pull up and remove the top cover with the connectors.

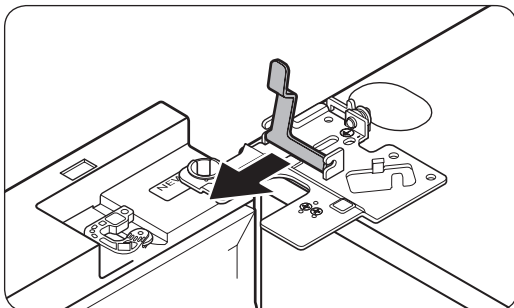
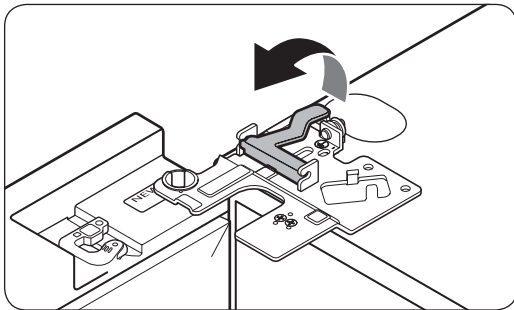
Installation



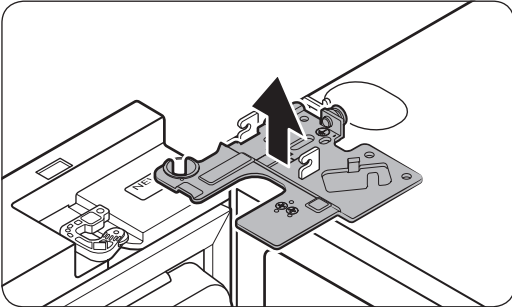
2. Disconnect the two wire connectors on the left door. The position of the connectors differs with the model.

CAUTION

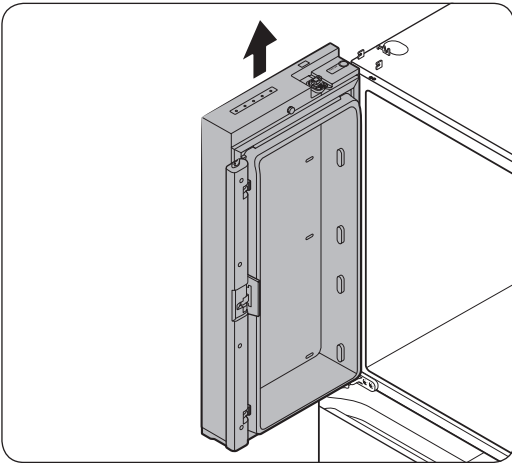
- Do not remove both doors simultaneously. Make sure to remove one door at a time. Otherwise, any of the doors may fall and cause physical injury.
 - Make sure the refrigerator is off before disconnecting the connectors.
3. Disconnect the water tube from the coupler on the left door as shown.
 - This step does not apply to the models without the AutoFill Pitcher and the water dispenser.
 4. Gently draw up the clamp in several steps. To prevent finger injuries, do not apply a sudden force to the clamp.



5. Pull up the clamp to remove.



6. Open the door 90 degrees. While holding the door, pull up and remove the top hinge. Be careful not to damage the connector wires when you remove the hinge.



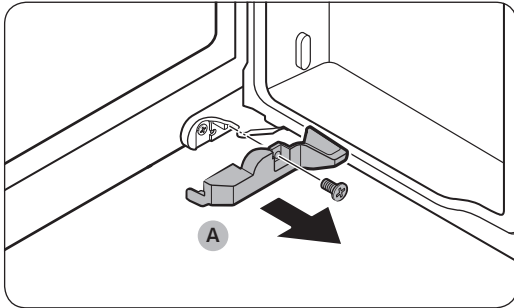
7. Gently pull up the door vertically to remove. Do not apply excessive force to the door. The door may fall, causing physical injury.
8. Lay the door down on a flat surface.
9. Repeat steps 1-8 for the other door, except for step 3. There is no water tube on the right side door.
 - Step 2 does not apply to the models without the Showcase door.

Installation

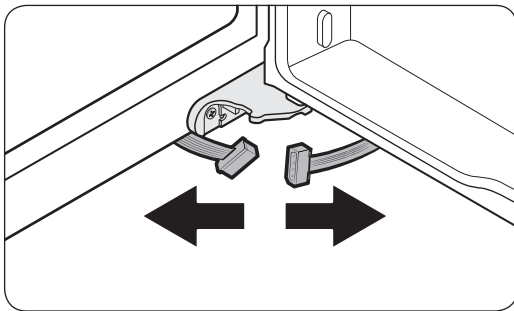
Detach the freezer doors

CAUTION

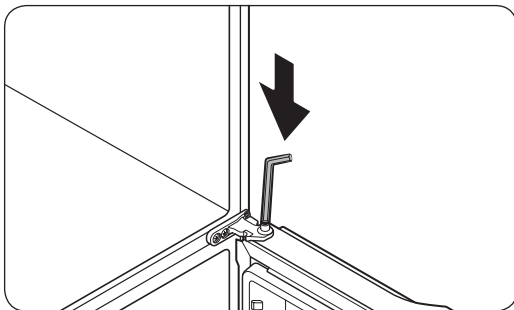
- Be sure to remove the fridge doors before removing the freezer doors.
- Use caution when disconnecting the bottom connectors.



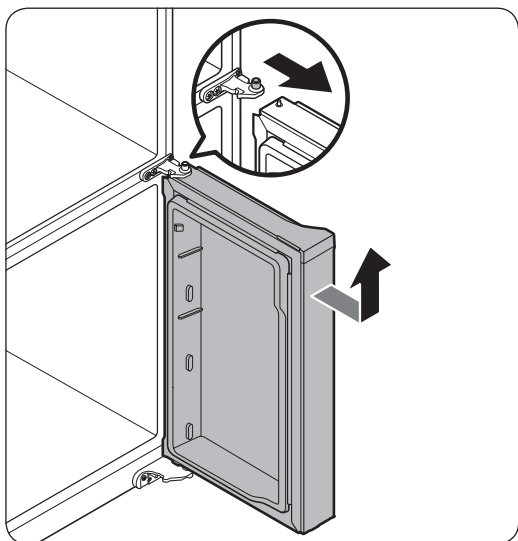
1. Open the freezer door.
2. Use a Phillips screwdriver to remove the screw holding the **cover (A)**.
 - This step only applies to the right side freezer door (FlexZone door).



3. Disconnect the wire connectors.
 - This step only applies to the right side freezer door (FlexZone door).



4. Locate the hinge shaft. While holding the door with one hand, use a flat-head screwdriver or Allen wrench to press the shaft down. Make sure to hold the door to prevent the door from falling.

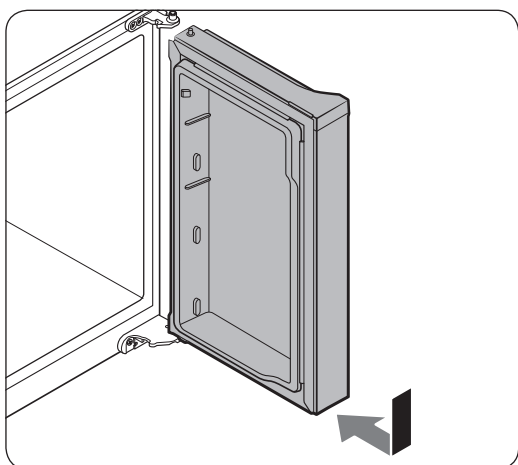


5. To prevent contact with the middle hinge, slightly tilt the door to the front, and then lift it up to remove.
6. Repeat steps 1-5 for the other door, except for steps 2 and 3.

To reattach the freezer doors

⚠ CAUTION

- The freezer doors must be re-attached before the fridge doors.
- Be careful not to damage or step on the wires during this process.

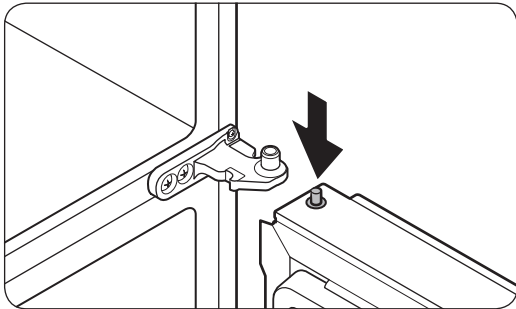


1. Insert the freezer door into the bottom hinge while pushing the freezer door in the direction of the arrow.

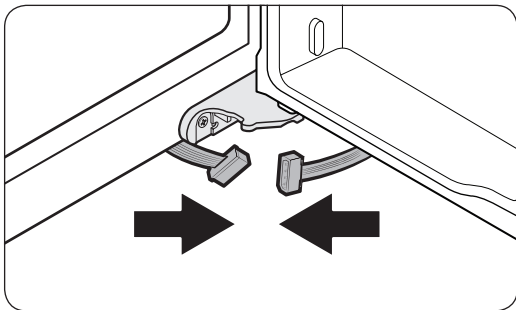
⚠ CAUTION

- Be careful not to damage or step on the wires during this process.

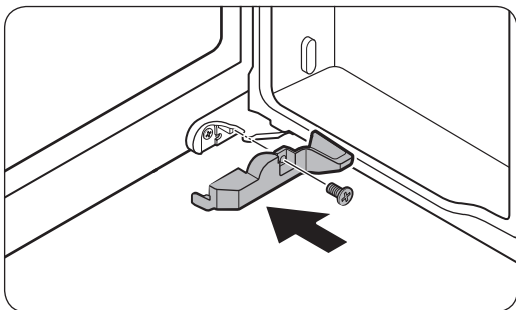
Installation



2. While pressing the hinge shaft down, position the door so that the hinge shaft is below the shaft hole in the middle hinge. Release the hinge shaft so that it enters the shaft hole.

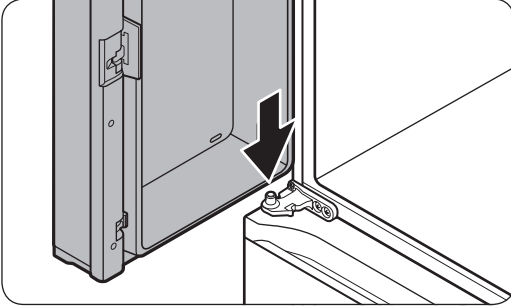


3. With the door open, connect the bottom connectors in the direction of the arrows.
 - This step only applies to the right side freezer door (FlexZone door).

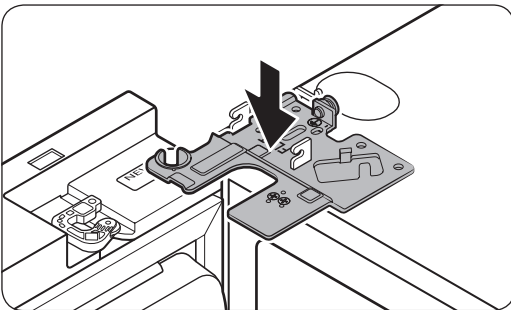


4. Attach the cover using a Phillips screwdriver. Be careful not to damage or step on the connectors.
 - This step only applies to the right side freezer door (FlexZone door).
5. Repeat steps 1-5 for the other door, except for steps 3 and 4.

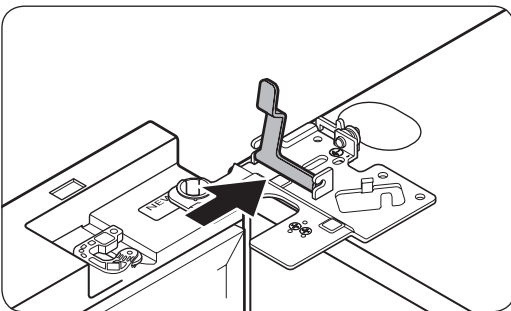
To reattach the fridge doors



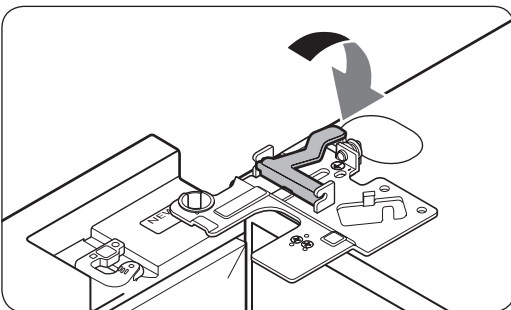
1. While holding the door open by more than 90 degrees, insert the shaft on the middle hinge into the hole on the bottom of the door.



2. Put the top hinge into position on the top of the refrigerator, and then insert the hinge shaft into the top hole of the door. Make sure the wires from the door pass through the hole in the hinge shaft.

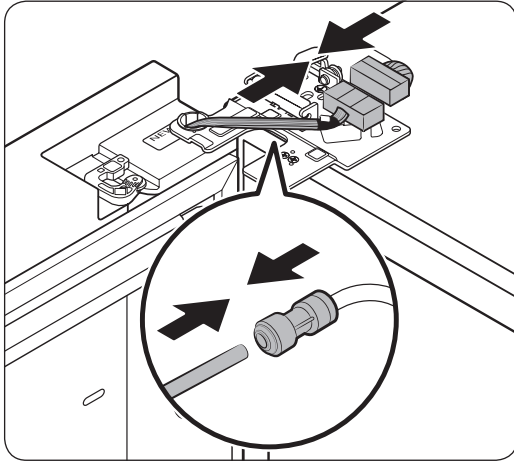


3. Insert the clamp in the direction of the arrow.



4. Push back the clamp as shown.

Installation



5. Connect the wire connectors.

⚠ CAUTION

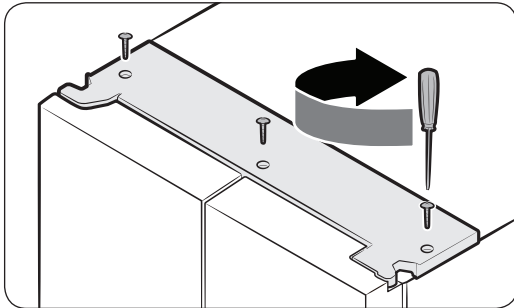
- Make sure the wire connectors are connected properly. Otherwise, the display will not operate.
6. Connect the water tube.
 - This step does not apply to the models without the AutoFill Pitcher and the water dispenser.

⚠ CAUTION

- To prevent water leaks, make sure the red clips tighten the coupler properly.
- Keep the clips out of children's reach.

7. Repeat steps 1-5 for the other door.
 - Step 5 does not apply to the models without the Showcase door.

8. Attach the top cover with the front side first, and then press down on its back to get it into position. Then, tighten the screws (x3).



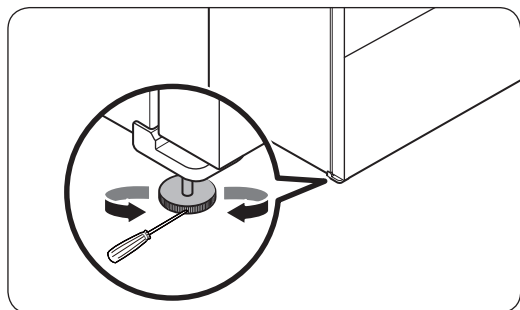
STEP 4 Leveling the refrigerator

Adjusting the front height

CAUTION

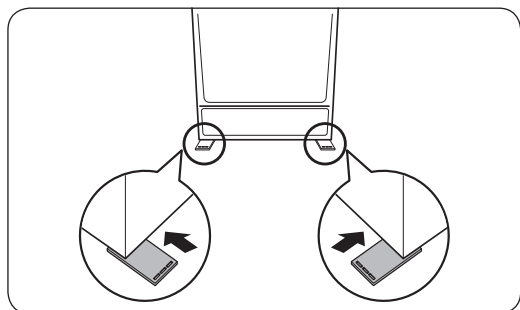
- When installed, the refrigerator must be leveled on a flat, solid floor. Not leveling the refrigerator can cause damage to the refrigerator or physical injury.
- Leveling must be performed with the refrigerator empty. Make sure no food items are inside the refrigerator.
- For safety reasons, adjust the front a little higher than the rear.

Level the refrigerator using the special screws (levellers) on the front legs. Use a flat-head screwdriver to turn the levellers.



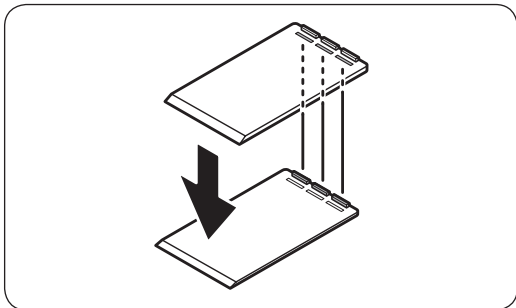
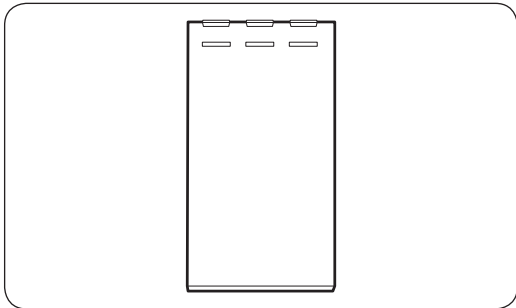
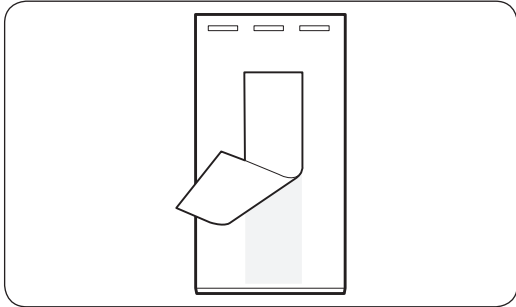
Insert a flat-head screwdriver into the leveler of the front left or right leg. Turn the leveler clockwise to raise or turn it counterclockwise to lower.

Adjusting the rear side height (applicable models only)



If you need to raise the rear side of the refrigerator to level it, you can use the provided level adjustment pad(s). Follow these instructions to raise the rear side of the refrigerator.

Installation



1. Choose the position on the floor where you need to attach the level adjustment pad.
2. Peel the double-sided tape on the bottom of the level adjustment pad.

3. Attach the level adjustment pad to the floor.

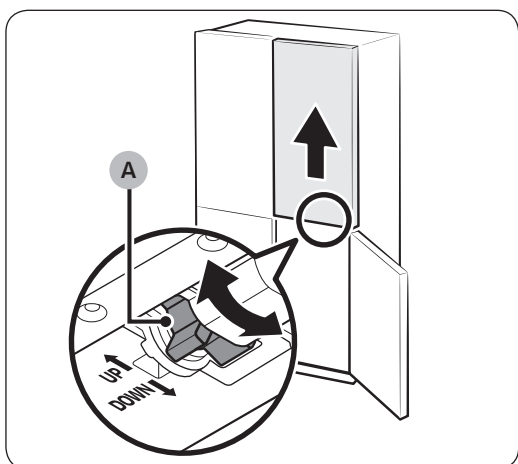
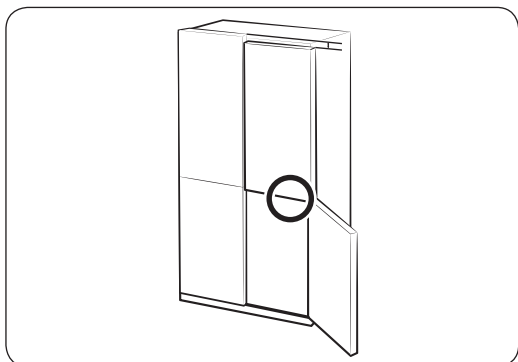
4. If you need to further raise the rear height, attach another adjustment pad on top of the first level adjustment pad.

NOTE

- You may skip this step if you can level the refrigerator using a single attachment pad.
- Make sure the ribs on the first adjustment pad are inserted into the grooves of the second level adjustment pad.

STEP 5 Adjust the door height

Adjusting the height with the height lever (applicable models only)

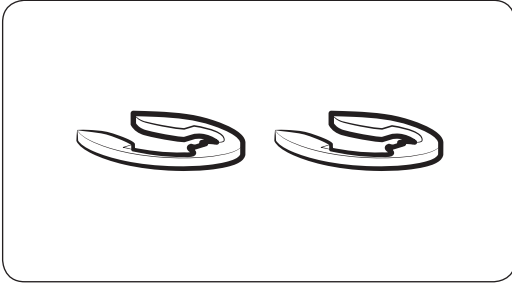


- Before aligning the door height, make sure the refrigerator is level. Use the leveling legs for this purpose.
- You can use the height lever at the bottom of the right-side door of the fridge. Open the right-side door of the freezer with both fridge doors closed and use the lever to adjust the door height.
- Turn the **height lever (A)** until the two doors are aligned at the top. Turn the lever toward **UP** (as marked) to raise the right-side door and turn it toward **DOWN** (as marked) to lower the door.
- Lift the fridge door slightly to make alignment easier. The maximum adjustable height is 3 mm.
 - The lever will not turn past the maximum limit. It may make a noise if it is turned too far.
 - Excessive height may interfere with the upper hinge cover of the fridge door.
- If you align the door height with the door bins empty and then store items in the bins, the heights may differ again. If this happens, follow the steps above to realign the doors.

Installation

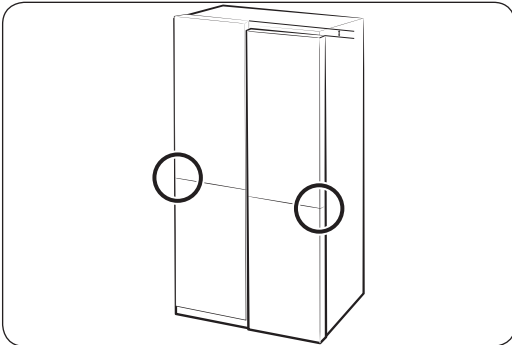
Adjusting the height with the snap rings

For the models with the height lever on the right-side door of the fridge, use the snap rings only if you cannot align the doors with the height lever.

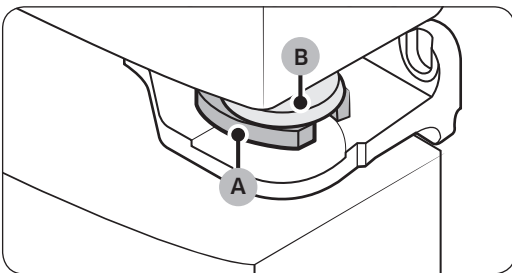


NOTE

The height of a door can be adjusted using the provided snap rings, which come in 4 different sizes (1 mm, 1.5 mm, 2 mm, and 2.5 mm).



1. Check the height difference between the doors, and then lift up and hold the door with the lower height.

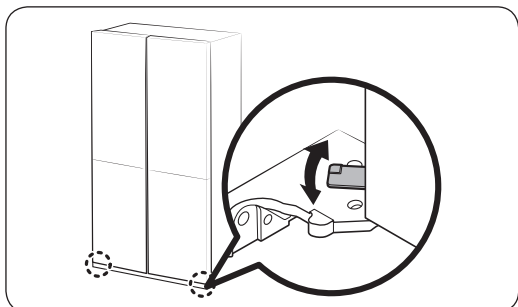


2. Insert a suitable-sized snap ring (A) between the door grommet (B) and the hinge as shown.

CAUTION

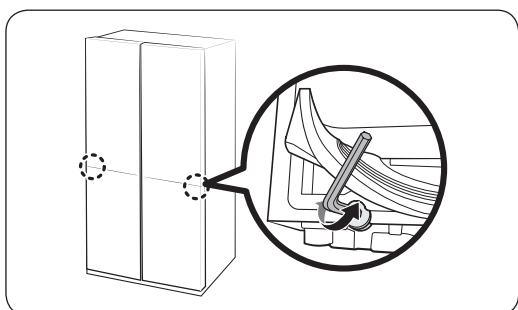
- Insert only one snap ring. If you insert two or more snap rings, the rings may slip out or make a rubbing noise.
- Keep the snap rings out of children's reach and keep them for future use.
- Do not raise the door too much. The door can contact and damage the top cover.

Adjusting the freezer door height (applicable models only)



- Before aligning the door height, make sure the refrigerator is level. Use the leveling legs for this purpose.
- You can adjust the height of both freezer doors using the lever located at the bottom hinge.
- Open the door, lift it a little, and then turn the lever left or right to adjust the height.

Adjusting the gap between the fridge doors and the main body of the refrigerator (applicable models only)



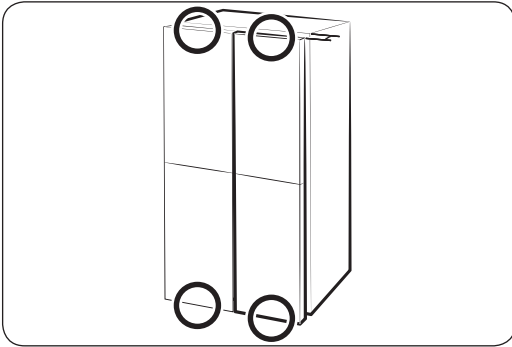
- You can adjust the gap between both fridge doors and the main body of the refrigerator using the adjustment bolt located at the bottom of the fridge compartment.
- Lift the door gasket and located the adjustment bolt underneath the gasket. Use the 4 mm Allen wrench to adjust the gap.

⚠ CAUTION

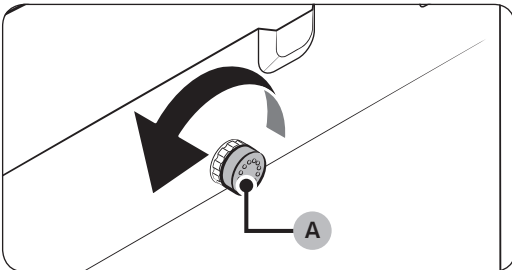
Make sure you firmly attach the gasket. Otherwise, cold air from the refrigerator may leak.

Installation

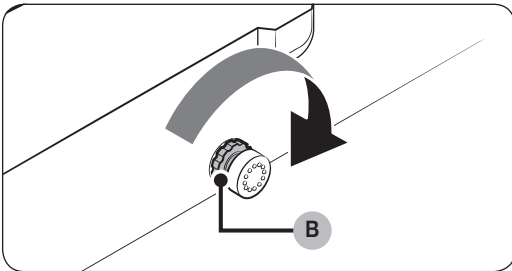
Adjusting the gap between the doors and the main body of the refrigerator (applicable models only)



You can adjust the gap between all four doors and the main body of the refrigerator using the adjustment dial. (Refer to the figure for the location of the adjustment dial.)



1. Open the door that is closer to the main body than the others. Then, turn the **adjustment dial (A)** counterclockwise until the gap becomes even with the others.



2. After adjusting the gap, turn the **locking nut (B)** to lock the **adjustment dial**.

NOTE

Each time you turn the **adjustment dial**, the gap is adjusted by 1 mm. However, the door may not close properly if you adjust the door by more than 1.5 mm.

STEP 6 Connect the water line

You must connect a water line from the main water supply to your refrigerator to use the water dispenser or the auto ice maker. A water filter is provided for removing unwanted particles from the main water supply, but it does not sterilize or eliminate microorganisms in the water, and you may need to purchase a water purifying system for that purpose.

Water pressure

The water pressure supplied to the refrigerator must meet the following requirements:

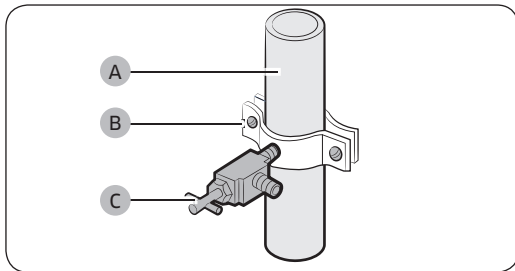
Minimum	Maximum
30 psi (206 kPa)	125 psi (861 kPa)

If the refrigerator is installed in an area where minimum water pressure cannot be met, you can install a booster pump to compensate for the low water pressure.

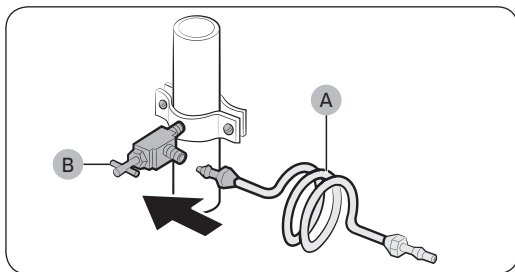
Connect the water supply line to the main water supply

NOTE

- Only connect the water line to potable water.
- Water line installation kits are available at extra cost from your retailer. We recommend using a water line installation kit that contains copper tubing and a 1/4" (6 mm) compression nut.



1. Shut off the main water supply.
2. Insert the **pipe clamp (B)** and the **shutoff valve (C)** into the cold water line (A).



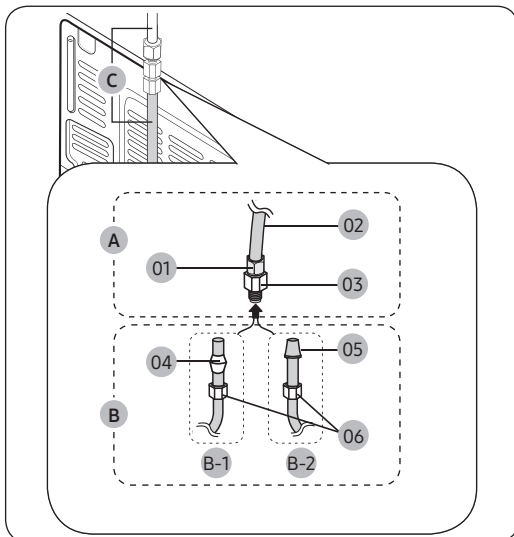
3. Connect the water line installation kit (A) to the **shutoff valve (B)**.

Installation

Connect the water supply line to the refrigerator

There are several items you must purchase to complete this connection. You may find these items sold as a kit at your local hardware store.

Copper Tubing	<ul style="list-style-type: none"> • 1/4" copper tubing • 1/4" compression nut (1 pc) • Ferrule (2 pcs)
Plastic Tubing	<ul style="list-style-type: none"> • 1/4" plastic tubing with molded end (Bulb) • 1/4" compression nut (1 pc)



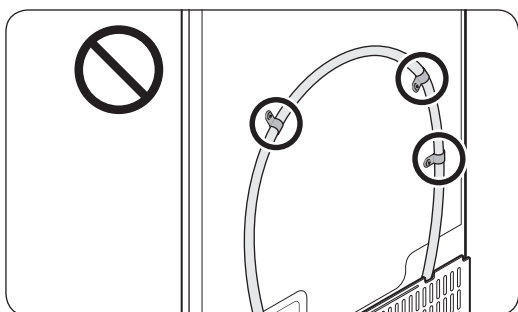
A	The water line from the refrigerator	
	01	Compression nut (1/4") (Assembled)
	02	Plastic tubing (Assembled)
B	03	Compression fitting (Assembled)
	The water line from the main water supply	
	NOTE You can choose the water line from the main water supply to be copper tubing (B-1) or plastic tubing (B-2).	
B-1	B-1	Copper tubing (Not supplied)
	B-2	Plastic tubing (Not supplied)
	04	Ferrule (Not supplied)
	05	Molded end (Bulb)
	06	Compression nut (1/4") (Not supplied)
C	NOTE Assemble water lines must be kept straight.	

1. Connect the **water line from the main water supply (B)** to the assembled **compression fitting (03)**.
 - If you are using **copper tubing (B-1)**, slip the **compression nut (06)** (not supplied) and **ferrule (04)** (not supplied) on the **copper tubing (B-1)** (not supplied) as shown in the figure.
 - If you are using **plastic tubing (B-2)**, insert the **molded end (Bulb) (05)** of the **plastic tubing (B-2)** (not supplied) into the **compression fitting (03)**.

CAUTION

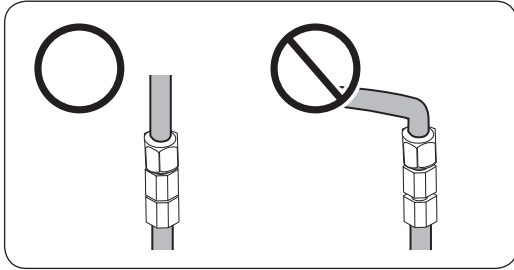
- If you use **plastic tubing (B-2)**, do not use it without the **molded end (Bulb) (05)**.
 - Leaving the water line disconnected may cause the water valve to produce a buzzing sound over time. If this is the case, make sure that the ice making function is turned off and do not attempt to use the water dispenser.
2. Tighten the **compression nut (06)** onto the **compression fitting (03)**. Do not over-tighten the **compression nut (06)**.
 3. Turn the water on and check for any leakage. If you find water drops or leakage in the connection areas, turn off the main water supply. Check the connections and, if necessary, tighten.
 - Check if the water dispenser works properly. Press the water dispenser lever until the water runs from the water outlet.
 4. Flush 3 gallons of water through the filter before drinking or using the water from the refrigerator. (Flush approximately 5 to 6 minutes.) To flush, press a large glass or cup against the water dispenser lever. Fill the glass, empty it, and then repeat.
 5. After you turn on the refrigerator, let the ice maker make ice for 1 to 2 days. Over that period of time, throw out the first 1 or 2 buckets of ice the ice maker makes to ensure all impurities have been removed from the water line.

CAUTION



- Do not mount the water filter or water line on any part of the refrigerator. This may damage the refrigerator.

Installation



- If you have to relocate the refrigerator after connecting the water line, make sure the joined section of the water line is straight.

 **NOTE**

- If you have to repair or disassemble the water line, cut off $\frac{1}{4}$ " of the plastic tubing to make sure you get a snug, leak-free connection.
- You can test the water line quickly using a paper cup. Under normal conditions, the water dispenser can fill a $5\frac{3}{4}$ oz. (170 cc) cup in about 10 seconds.

STEP 7 Initial settings

By completing the following steps, the refrigerator should be fully functioning.

1. Plug the power cord into the wall socket to turn the refrigerator on.
2. Open the door, and check if the interior light lights up.
3. Set the temperature to the coldest setting, and wait for about an hour. Then, the freezer will be slightly chilled, and the motor should be running smoothly.
4. Wait until the refrigerator reaches the set temperature. Now the refrigerator is ready for use.

STEP 8 Final check

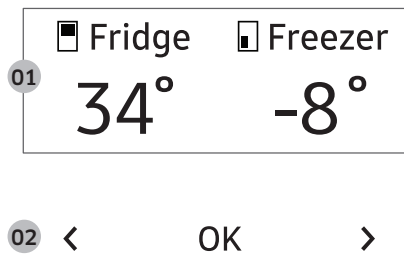
When installation is complete, confirm that:

- The refrigerator is plugged into an electrical outlet and grounded properly.
- The refrigerator is installed on a flat, level surface with a reasonable clearance from walls and cabinets.
- The refrigerator is level and is sitting firmly on the floor.
- The door opens and closes freely, and the interior light turns on automatically when you open the door.

Operations

Main panel

General type



01 Display	Displays the menu, settings, and other information.
02 Buttons	<ul style="list-style-type: none">• When the display is off, tap any button to wake up the display.• Tap < or > to navigate left and right.• Tap OK to confirm your selection.• Tap and hold OK to enter the AP mode. (For more information, see the “SmartThings > Getting started” section on page 54.)

NOTE

- If the door is left open for 5 minutes, the internal light will blink for 5 minutes and turn off. It is to alert deaf and hard of hearing users that a door is open. Note that this function is normal.
- When you change the temperature on the panel, the panel displays the actual temperature inside the refrigerator until the temperature matches the temperature you set. Then, the panel displays the new set temperature. Note that it will take time for the refrigerator to reach the new temperature. It is normal. During this time, you need not set the temperature again.




Using the main panel

1. Tap any button (<, **OK**, or >) to wake up the display.
2. Tap < or > to select the desired menu, and then tap **OK** to confirm.
3. Tap < or > to select the desired setting, and then tap **OK** to confirm.
 - For more information on available settings, see the **Menu descriptions** section.

Menu descriptions

Fridge	<ul style="list-style-type: none"> You can set the fridge temperature from 34 to 44 °F (1 to 7 °C) or set the Power Cool function. Power Cool speeds up the cooling process at maximum fan speed. The fridge keeps running at full speed for two and a half hours and then returns to the previous temperature.
Freezer	<ul style="list-style-type: none"> You can set the freezer temperature from -8 to 5 °F (-23 to -15 °C) or set the Power Freeze function. Power Freeze speeds up the freezing process at maximum fan speed. The freezer keeps running at full speed for 50 hours and then returns to the previous temperature. To freeze large amounts of food, activate Power Freeze for at least 20 hours before putting food in the freezer.
FlexZone	<ul style="list-style-type: none"> You can set the FlexZone mode from one of the following modes. <ul style="list-style-type: none"> Freeze: The temperature is set to the same temperature as the freezer. Soft Freeze: The temperature is set to 23 °F (-5 °C). Meat/Fish: The temperature is set to 30 °F (-1 °C). Fruit/Veggies: The temperature is set to 36 °F (2 °C). Beverage: The temperature is set to 41 °F (5 °C). <p>⚠ CAUTION</p> <ul style="list-style-type: none"> Select the FlexZone mode according to the type of food you store in there. Do not store meat or food in the FlexZone with the Fruit/Veggies or Wine mode. Meat or food may spoil. Do not store glass bottles in the FlexZone in Freeze or Soft Freeze mode. They may break and cause physical injury.

Operations

<p>Beverage Zone *</p>	<ul style="list-style-type: none"> You can set the Beverage Zone mode from one of the following modes. <ul style="list-style-type: none"> Beverage: The temperature is set to the same temperature as the fridge. Wine/Dessert: The temperature is set to 4 to 5 °C higher than the fridge, which is ideal for keeping desserts, wines, butter, and jam. <p> CAUTION</p> <ul style="list-style-type: none"> Storing food in Wine/Dessert mode can result in a shorter storage time period because the temperature is higher than in the fridge. Therefore, if the food is not going to be consumed within a few days or is sensitive to temperature changes, keep it in the fridge. Store any opened or leftover desserts, butter, jams, etc. in the Beverage mode or in the fridge. <p> NOTE</p> <ul style="list-style-type: none"> Beverage Zone is for storing beverages, wines, and desserts that you plan to consume immediately. The number of door openings, amount of stored foods, and temperature setting can affect the storage time.
<p>AutoFill Pitcher *</p>	<ul style="list-style-type: none"> You can set the AutoFill Pitcher mode from one of the following modes. <ul style="list-style-type: none"> On: Set to fill your water pitcher automatically. Off: Set to turn off the function. <p> NOTE</p> <p>You can put tea or fruit into the infuser to make infused tea or water. If you want to keep the infused water in its initial concentration, turn the AutoFill Pitcher function off. (For more information, see the Water pitcher (AutoFill Pitcher) (applicable models only) section on page 64.)</p>
<p>Cubed Ice *</p>	<p>You can start or stop making cubed ice.</p>
<p>Ice Bites *</p>	<p>You can start or stop making ice bites.</p>

Whiskey Ball Ice *

- You can start or stop making ice balls. The ice maker can make 3 to 9 ice balls every 24 hours, and you can select from the following options.
 - **3 spheres, 6 spheres, 9 spheres***, Off
 - The default setting is 6 spheres.
 - The ice is more transparent if you choose the smaller amount.
- The ice maker stops making ice when it detects the full ice bucket (usually about 12 to 15 ice balls, depending on how the ice balls are stacked within the ice bucket).
 - To make new ice, make some room in the ice bucket by removing the ice balls.
- The ice maker may stop making ice depending on the way ice balls stack in the ice bucket. Arrange the ice balls if too many ice balls stack on one side of the bucket.
- The ice maker may not produce perfect sphere-shaped ice or you may notice air bubbles in the ice after the freezer has just been installed, the filter has been replaced, or if the power has been off for a certain time because of a power outage.
 - If you want to eliminate air bubbles in the ice, pour out the AutoFill Pitcher 6 times (about 12 liters).

 **CAUTION**

- Make sure to put the whiskey ball ice maker pad in the right direction. (For more information, see the **Auto Ice Maker** section on page 69.)
 - The ice maker may stop making whiskey ball ice if you remove the whiskey ball ice maker pad from the ice bucket or if it is inserted in the wrong direction.

Operations

Settings

You can change the settings for the following functions. Tap < or > to select the menu, and then tap **OK** to confirm.

UV Deodorizing Filter *: You can turn the UV Deodorizing Filter on or off.

Auto Open Door *: You can turn the Auto Open Door function on or off. (For more information, see the **Auto Open Door function (applicable models only)** on 61 page.)

Water Filter Reset *: When you get the filter replacement message on the display, select this menu, and replace the filter according to onscreen instructions.

Temp. Unit: You can set the temperature scale to Celsius or Fahrenheit.

Peak Demand *: You can turn the Peak Demand function on or off. (For more information on Peak Demand function, see the **SMART GRID Function (Demand Response)** section on page 56.)

Welcome Lighting: You can turn on or off the **Welcome Lighting** (For more information, see the **Welcome Lighting (applicable models only)** section on page 60.)

Sounds: You can turn on or off the sound of the buttons (and Auto Open Door function*).

Door Alarm: You can turn on or off the Door Alarm.

Wi-Fi: You can turn on or off the Wi-Fi Connect. Turn it on to control and monitor your refrigerator on the SmartThings app. (For more information on SmartThings, see the **SmartThings** section on page 53.)

* applicable models only

NOTE

Using Power Cool or Power Freeze increases energy consumption.

Activating or deactivating the Sabbath mode

The Sabbath mode stays active for 85 hours once it is activated. After that, it will be deactivated automatically.

- To activate or deactivate the Sabbath mode, tap and hold **OK** and **>** simultaneously for 6 seconds. Then, tap **>**.
 - When the refrigerator is in the Sabbath mode, the buttons, display, and internal lights do not function. The refrigerator and freezer, however, continue to cool.

NOTE

If the refrigerator powers off and restarts (for example, if there is a power failure), the Sabbath mode remains active. To end Sabbath mode, you must deactivate it as instructed above.

Activating or deactivating the Cooling Off mode

The Cooling Off mode (also called the Shop mode) is designed for retailers to display refrigerators on a retail floor. In the Cooling Off mode, the refrigerator's fan motor and lights operate normally, but the compressors do not run, so neither the refrigerator nor the freezer becomes cold.

- To activate or deactivate the Cooling Off mode, tap and hold **<** and **>** simultaneously for 6 seconds. Then, tap **OK**.
 - When the Cooling Off mode is on, the refrigerator chime sounds, and the refrigerator shows the **"Cooling Off mode turned on"** message.

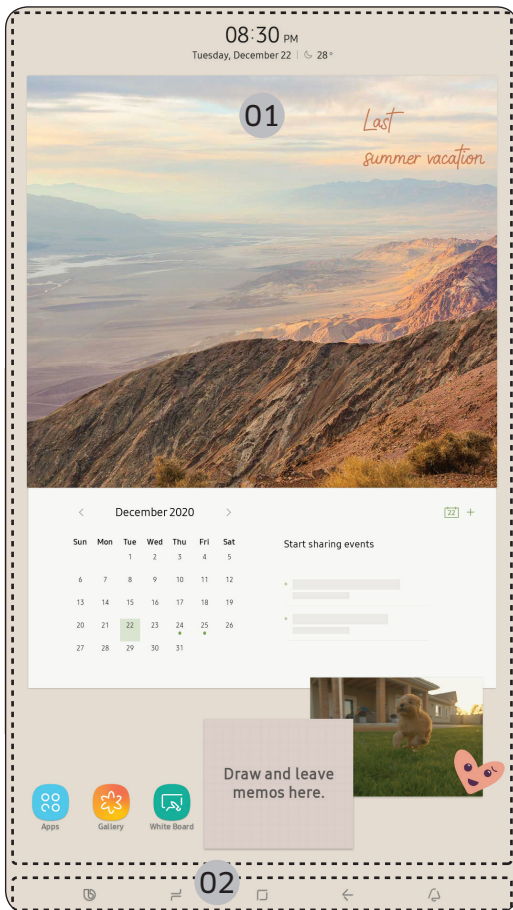
Operations

Family Hub type

Home screen

NOTE

- For more information about other menus and apps available on the Refrigerator app. See the Online manual of your refrigerator.
- The content of apps and widgets, or their design is subject to change or support may be discontinued without notice, depending on the content provider's policy.
- Children's use of the refrigerator's functions, apps, and services must be supervised by adults.
- Underage transactions with the services must be supervised by adults.



01 Home screen

02 Soft buttons

01 Home screen

- Tap a desired app or widget to launch it.
- On the home screen, you can add or remove items such as apps, widgets, pictures, videos, drawings, and texts.
- Tap and hold an item to enter Edit mode. In Edit mode, you can drag and drop an item to a new location on the home screen. When you move the item to a new location, the item turns red if the location is not available.

02 Soft buttons



01 Bixby

- Tap to use Bixby.

02 Task Manager

- Tap to open the Task Manager.

03 Home

- Tap to open the Home screen.

04 Return

- Tap to return to the previous screen.

05 Notification

- Tap to display the Quick Panel.

06 Hide/Show

- Tap to hide or show Soft buttons.
- The Hide/Show button only appears when an app is active.

Operations

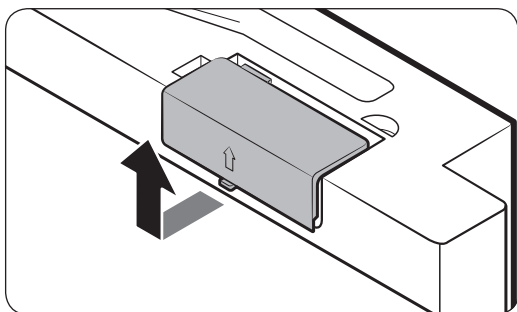
Fridge Manager

On the Home screen, tap the **Fridge Manager** app.

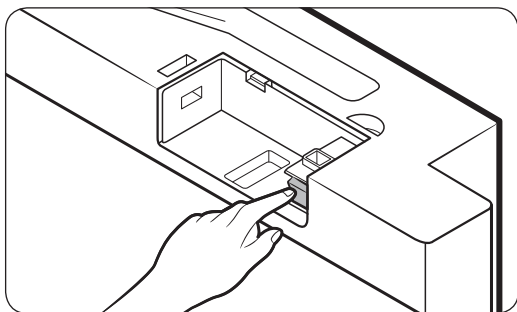
- You can set the desired temperature or modes for each compartment.
- For more detailed information on the Fridge Manager app, check the online manual.
- To access the online manual from your Family Hub refrigerator, tap **Setting > Help & Contact Us > Online Manual**.

Display reset (applicable models only)

If you encounter an abnormal symptom on the display, try resetting the display. This may solve the symptom.



1. Open the fridge door and locate the switch cover on the top right corner of the door.
2. Push up the cover to reveal the power switch.



3. Turn the power off and turn it on again.
4. Reinsert the switch cover to the end until you hear a clicking sound.

SmartThings

Installation

Visit the Google Play Store, Galaxy Apps, or Apple App Store and search for “SmartThings”. Download and install the SmartThings app provided by Samsung Electronics to your smart device.

NOTE

- The supporting software version of the SmartThings app is subject to change according to the OS supporting policy the manufacturer provides. In addition, as for the SmartThings app or the functions that the app supports, the new application update policy on the existing OS version can be suspended due to usability or security reasons.
- The SmartThings app is subject to change without notice to improve usability or performance. As the mobile phone OS version is updated every year, the SmartThings is also updated continually according to the latest OS. If you have enquiries regarding the items mentioned above, please contact us on st.service@samsung.com
- Recommended encryption systems include WPA/TKIP and WPA2/AES. Any newer or unstandardized Wi-Fi authentication protocols are not supported.
- Wireless networks may be affected by the surrounding wireless communication environment.
- If your Internet service provider has registered the MAC address of your PC or modem for identification, your Samsung Smart Refrigerator may fail to connect to the Internet. If this happens, contact your Internet service provider for technical assistance.
- The firewall settings of your network system may prevent your Samsung Smart Refrigerator from accessing the Internet. Contact your Internet service provider for technical assistance. If this symptom continues, contact a local Samsung service center or retailer.
- To configure the wireless access point (AP) settings, see the user manual of the AP.
- Samsung Smart Refrigerators support both Wi-Fi 2.4 GHz with IEEE 802.11 b/g/n and Soft-AP protocols (IEEE 802.11 n is recommended).
- Unauthorized Wi-Fi wireless routers may fail to connect to applicable Samsung Smart Refrigerators.

Operations

Samsung account

You are required to register your Samsung account to use the app. If you don't have a Samsung account, follow the app's onscreen instructions to create a free Samsung account.

Getting started

Turn on the device you want to connect, open the SmartThings app on your phone, and then follow the instructions below.

If a pop-up appears saying that a new device has been found, tap **ADD NOW**.

If a pop-up doesn't appear, tap the **+** button, and then select the device you want to connect from the list of available devices.

If your device isn't in the list of available devices, tap **Supported Devices**, select the device type (Refrigerator), and then select the specific device model.

Follow the instructions in the app to set up your device. Once setup is complete, your refrigerator will appear as a "card" on your **Devices** screen.

Integrated control

You can monitor and control your refrigerator at home and on the go.

- Tap the refrigerator icon on the SmartThings Dashboard or tap the Devices icon at the bottom of the Dashboard, and then tap the refrigerator "card" to open the Refrigerator page.
- Check the operation status or notifications related to your refrigerator, and then change options or settings if necessary.

NOTE

Some options or settings of the refrigerator may not be available for remote control.

Category	Item	Description
Monitor & Control	Fridge Temperature	You can set and monitor the desired temperature of the fridge.
	Freezer Temperature	You can set and monitor the desired temperature of the freezer.
	Power Cool	You can turn Power Cool on or off, and check the current settings.
	Power Freeze	You can turn Power Freeze on or off, and check the current settings.
	FlexZone	You can set and monitor the desired mode of the FlexZone.
	Cubed Ice * Ice Bites * Whiskey Ball Ice *	You can turn the ice making function on or off, and check the current settings of the function.
	AutoFill Pitcher *	You can turn the AutoFill Pitcher function on or off, and check the current settings of the function.
Alarms	Abnormally high temperature	This alarm is triggered when the fridge, the freezer, or the FlexZone has abnormally high temperatures.
	Door opening	This alarm is triggered if the fridge door, the freezer drawer, or the FlexZone drawer is open for a specific time.
	AutoFill Pitcher overflowing *	If the AutoFill Pitcher function senses an overflow, it triggers this alarm to let you know the status of the overflow.
	Water filter replacement *	This alarm reminds you that the water filter must be replaced.
Inside Image *	You can view the inside of the refrigerator and can see if you need to replace food items.	

* applicable models only

Operations

Recommendations for voice recognition

(Applicable to Family Hub type only)

For the voice recognition function, there is a built-in microphone at the top of the refrigerator's display. To use the voice recognition function:

- Stand no more than 3 feet (1 meter) from the refrigerator and speak loudly and clearly towards the built-in microphone.
- Speak at a regular pace. Reduce ambient noises, such as noises from a living-room TV.

NOTE

The voice recognition function may not work if you stand more than 3 feet (1 meter) away or if you speak too softly.

SMART GRID Function (Demand Response)

(applicable models only)

When the refrigerator operates in SMART GRID (Demand Response) mode, the Energy Management function can control energy usage or delay the operation of some functions to save money when energy prices or demand are the highest.

In addition, to use the Smart Grid (Demand Response) function, you must register for the service with your electric company. The company must have an EMS (Energy Management System) that supports SEP (Smart Energy profile).

NOTE

- You can deactivate the SMART GRID (Demand Response) function at any time using the Peak Demand Off function.
- You can use monitor your energy consumption or turn energy-related features on and off using the SmartThings app. You must install the SmartThings app on your mobile device and connect the refrigerator to a Wi-Fi connection to use this feature.

Using the SMART GRID (Demand Response) Function

This feature monitors energy prices and demand information from your utility company and sends notifications to the refrigerator to run high energy consuming tasks during off-peak times when electricity costs and demand are lower.

If the refrigerator receives the SMART GRID (Demand Response) signal (**DAL** or **TALR**), the refrigerator will operate in Delay Appliance Load (**DAL**) or Temporary Appliance Load Reduction (**TALR**) mode.

Delay Appliance Load

The refrigerator responds to a **DAL** signal by providing a moderate load reduction for the duration of the delay period. This function controls functions that consume a lot of energy such as adjusting the Cooling system, running the defrost cycle, and making ice.

- **DAL** mode is automatically deactivated after it lasts for the amount of time stipulated by the **DAL** signal (max. 4.5 hours) or when the Peak Demand Off key is pressed.

Temporary Appliance Load Reduction

The refrigerator responds to a **TALR** signal by aggressively reducing the load for a short time period. This function reduces energy consumption by stopping the compressor and controlling the functions that consume a lot of energy such as the defrost cycle and making ice.

- **TALR** mode is automatically deactivated after it lasts for the received duration (max. 15 minutes), or when the Peak Demand Off key is pressed. The mode is immediately deactivated and the refrigerator returns to the normal state when the door is opened or closed, or the dispenser is used.

Operations

Peak Demand Off (Override mode)

When you want the refrigerator to ignore the SMART GRID (Demand Response) signal from the utility company, you can activate Peak Demand Off (Override mode).

When you activate Peak Demand Off (Override mode), the refrigerator ignores the SMART GRID (Demand Response) signal and is not controlled by the utility company.

You can activate or deactivate this mode from the main panel or on the SmartThings app.

Activating and deactivating Peak Demand Off (Override mode)

General type

1. Tap any button (< , **OK** , or >) to wake up the display.
2. Tap < or > to select **Settings**, and then tap **OK** to confirm.
3. Tap < or > to select **Peak Demand**, and then tap **OK** to confirm.
4. Tap < or > to select **On** or **Off**, and then tap **OK** to confirm.

Family Hub type

1. Tap the **Fridge Manager** icon on the Home screen.
2. Open the **Fridge Settings** menu at the bottom of the screen.
3. Open the **Demand Response** menu.
4. Turn the **Peak Demand Off (Override mode)** on or off. Drag the button to activate or deactivate "Demand Off".

Energy management functions available on the SmartThings app

- Energy consumption monitoring (for the past and current month)
 - Shows the accumulated power consumption. Power consumption data is updated every 10 minutes.

NOTE

The energy consumption report may differ from the power consumption specifications of the product depending on the operating environment and the stored food.

- Demand response monitoring
- Activating/deactivating Peak Demand Off (Override) mode
- Defrost Delay
 - Delay Defrost saves energy by delaying the defrost operation in a 24-hour cycle to a time specified by the user. To change the delay time, use the Delay Defrost menu on the app. By default, the delay time is set as below:

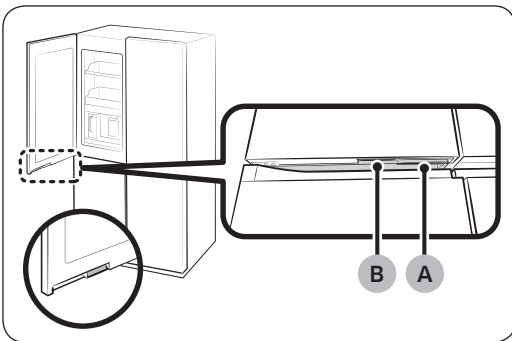
November 1 to April 30	6 AM to 10 AM
May 1 to October 31	3 PM to 7 PM

Provision for Open Access to the Connected Product Requirements

1. SGIP Open Standards (Smart Energy Profile 2.0 - <http://www.csep.org/>)
 - Energy Consumption Reporting
 - Demand Response
2. Samsung OPEN API
 - Operational Status, User Settings & Messages
 - ICE Maker Status
 - Door Open Alarm
 - DR Status
 - Delay Defrost Capability
 - Set Schedule of the Defrost Delay
 - Get Schedule of the Defrost Delay
 - Delete Schedule of the Defrost Delay
 - Defrost Delay On/OFF

Special features

Beverage Center (applicable models only)

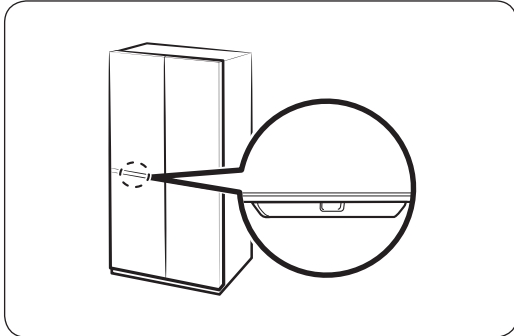


- A. Fridge door handle
- B. Beverage Center handle

The left fridge door has two handles on the bottom. To use the AutoFill Pitcher, drink cold or purified water, press handle (B) to open the Beverage Center.

Operations

Welcome Lighting (applicable models only)



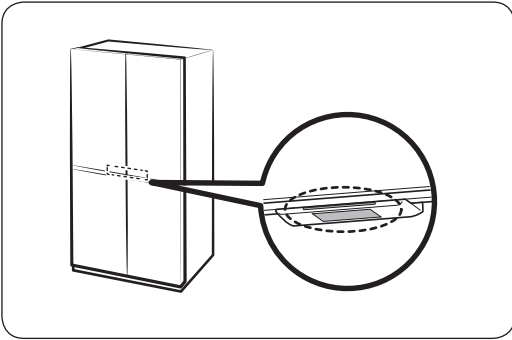
- When you get close to the refrigerator, the fridge light turns on automatically, allowing you to see inside the fridge without opening the doors.
 - There is a motion detection sensor on the underside of the fridge door.
 - The maximum time for the fridge light to stay on is 30 seconds.
- If you have installed the refrigerator for the first time or re-installed it, you must set the Welcome Lighting function to **On** from the main panel or the SmartThings app to use the function.
 - The default setting is **Off**.
- You can change the **Distance** and **Reaction time** settings of the **Welcome Lighting sensor** in the SmartThings app.
 - The default **Distance** setting is **Middle** (about 50 cm).
 - The default **Reaction time** setting is **Fast**.
 - You must be within the detection distance of the sensor for the Welcome Lighting to work.
 - The distance which the **Welcome Lighting sensor** detects can vary depending on the installation and usage environment in your home. (Approaching direction to the refrigerator, material, and color of the recognizable parts such as clothes, objects, etc., movement through the kitchen, etc.)

NOTE

- The Welcome Lighting can turn on even when a person or large pet walks past in front of the refrigerator.
- If the **Welcome Lighting sensor** detects an object, the Welcome Lighting may turn on and off. Move any object (such as a chair) away from the **Welcome Lighting sensor**.
- The **Welcome Light sensor** can be desensitized when it becomes dirty with foreign substances or dust. Regularly clean the sensor with a clean cloth.
- Highly reflective objects, such as mirrors, within the **Welcome Lighting sensor's** range can make the Welcome Lighting work from a distance.

Auto Open Door function (applicable models only)

The Auto Open Door function does not apply to the freezer doors.



Touch the sensor near the door handle of the fridge. The door will open.

- The default setting is **Off**.
- To turn on the function, refer to the followings.
 - General type: On the main panel, select **Settings > Auto Open Door** and select **On**.
 - Family Hub type: On the Fridge Manager app, tap **Settings**, and then turn on the **Auto Open Door**.

NOTE

- If both sensors are touched simultaneously, the door on the first touched sensor opens and then so does the other door within about 2 seconds.
- The door does not close automatically. Close the door manually after use.
- The angle (degree) at which the fridge doors open may vary depending on the installation environment, such as the floor where the refrigerator is installed, the level of the refrigerator, and the load of the food stored in the door bin.
 - If the doors open too wide or not wide enough, check and make sure the refrigerator is level. (For more information, see the “**STEP 4 Leveling the refrigerator**” section on page 33.)

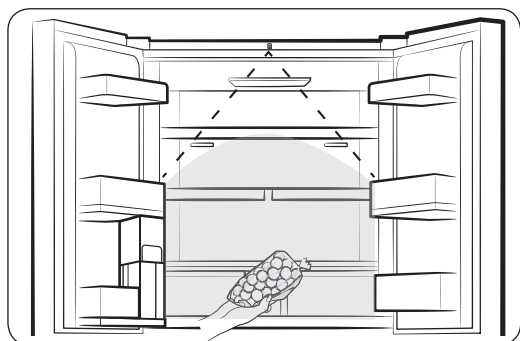
Operations

CAUTION

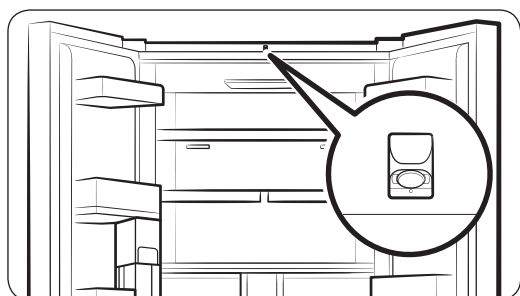
- The Auto Open Door function may malfunction if you open and close the door repeatedly.
- Do not push or force stop the door while it is opening automatically. It may cause the product to malfunction.
 - Be cautious not to get hit by the doors when they open automatically.
- If the door resists opening after repeated door opening, wait for about a minute and then try again. (It may be hard to open the door immediately after closing it due to air pressure change inside the refrigerator which occurs when you open and close the door.)
- Accidental touches to the sensor can cause the door to open, verify that it is closed.

AI Vision Inside (applicable models only)

- The AI Vision Inside does not support food management for the freezer.
- For the Family Hub type model, tap **AI Vision Inside > Settings > AI food recognition guide** to see the user guide.



- You can manage the food coming in and out of the fridge using the camera on the top part of the fridge.
 - To use this feature, your refrigerator must be connected to a network through SmartThings.
 - You must complete the initial setup of the camera to use it.
- It checks food stored on the fridge shelves and door bins, or alerts you about the food that is nearing the expiration date.
- When you open the fridge door, it is recommended that you put food in or out of the fridge after hearing the recognition beep. Pause for a moment or move slowly within the camera range.
 - If you put several foods in the fridge at once, they will be registered as one food, so please put them separately.
 - When you take out a food, let the same side exposed to the camera as when you put it, and it must not be covered by more than 65%.



⚠ CAUTION

Do not get close to the camera. Otherwise, you will be photographed of your body.

- If you do not wish to use the AI Vision Inside feature, turn off the AI Vision camera on the AI Vision Inside app's settings or cover the AI Vision camera with a sticker.

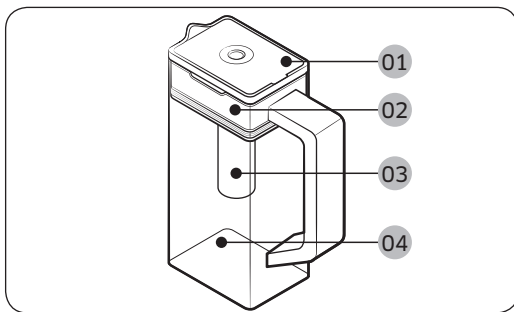
Operations

NOTE

- If the fridge lights are turned off or the surroundings are dark, its recognition rate may be lower.
- Ensure that the characteristics of an incoming item such as food are clearly visible (so clearly distinguished from other items), which can improve the accuracy of incoming/outgoing matching.
- Food in storage containers can be written in large and bold letters to help with incoming/outgoing matching.

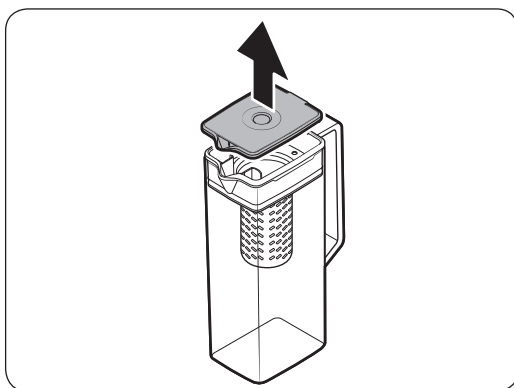
Water pitcher (AutoFill Pitcher) (applicable models only)

Cold, purified water is always ready in the AutoFill Pitcher. You can put tea or fruits in the infuser to enjoy the various infused water you like.



- 01** Lid
- 02** Infuser holder
- 03** Infuser
- 04** Body

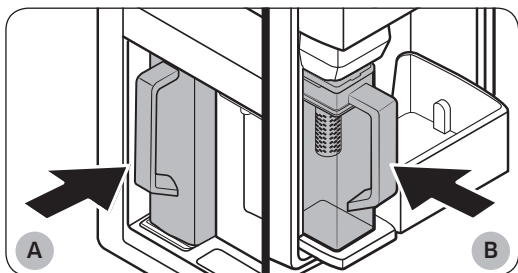
To fill the Water pitcher



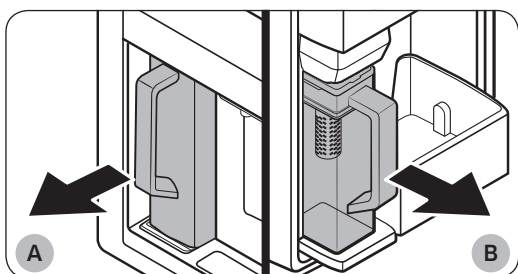
1. Grasp a handle groove of the lid, and then pull up to open the lid.
2. Put tea leaves or fruit to your taste into the infuser.

NOTE

If you want to keep the infused water in its initial concentration, turn the AutoFill Pitcher function off.



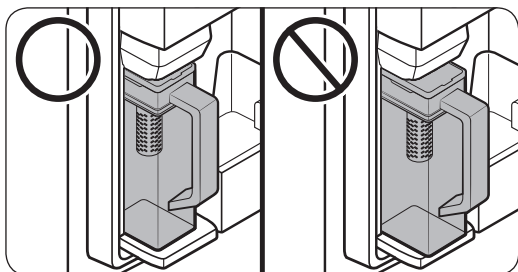
- A. Type A models
- B. Type B models



- A. Type A models
- B. Type B models

⚠ CAUTION

- We recommend consuming fruit infused water within 24 hours. After that, the infused water can spoil over time.
- You must clean the water pitcher after you have consumed the infused water. Also clean the water pitcher if you haven't used it for a long time.



3. Enable the AutoFill Pitcher function on the main panel. Open the Beverage Center door (Type A) or the left door of the fridge (Type B), and then mount the water pitcher onto the holder. Push it straight in as shown in the figure.

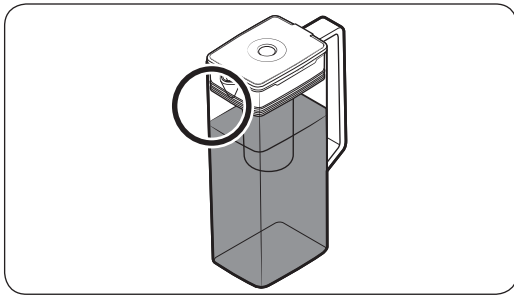
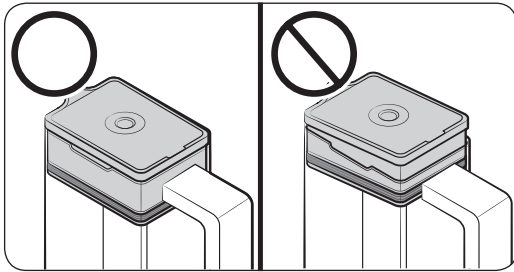
⚠ CAUTION

Make sure the water pitcher fits in the water pitcher holder.

4. Close the door. The water pitcher will start to fill with chilled water a short time later.
5. To drink tea, open the Beverage Center door (Type A) or the left door of the fridge (Type B), and then detach the water pitcher. Pull it straight out.

- To prevent the water pitcher from tipping over or leaking, make sure the water pitcher fits in the water pitcher holder.

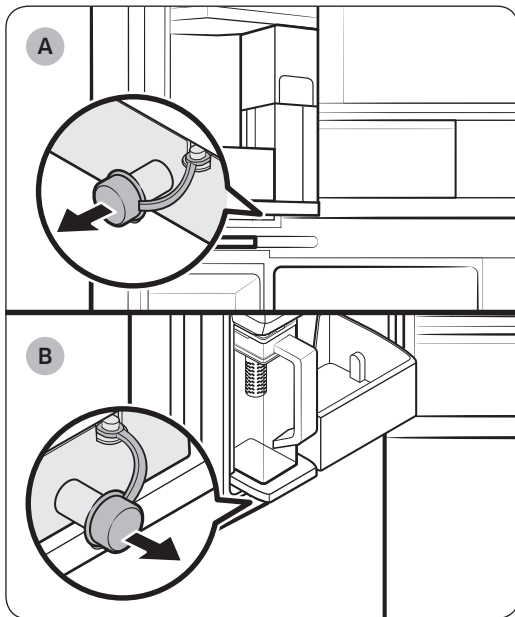
Operations



- To prevent the water pitcher from spilling over or leaking, make sure the infuser holder is properly inserted.

NOTE

- If the front side (specifically marked area) of the water pitcher has too much moisture, the water pitcher may not fully fill. Remove the moisture, and then try again.
- AutoFill Pitcher function will stop supplying water to the water pitcher if the water pitcher does not fill after a certain amount of time. If this happens, check if the water line is properly connected. Remove and reinsert the water pitcher, and then try again.



A. Type A models

B. Type B models

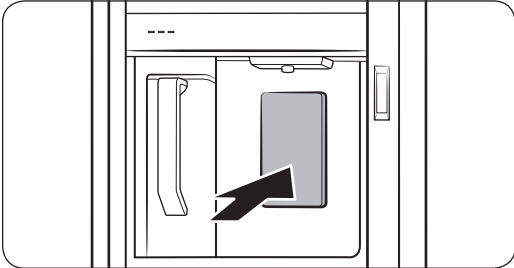
NOTE

- You must clean the water pitcher after you have consumed the infused water. You must also clean the water pitcher if you have not used it for a long time or left the full pitcher for more than three days.
- If the infuser is not properly cleaned, the scent of the tea or fruits you previously used in the infuser may remain. If you are not going to use the infuser, separate it from the pitcher and store it safely.
- If you have not used the water filter for a long time, pour away the first two pitchers of water. Then, clean the water pitcher thoroughly and use it.

- Wipe around the water pitcher holder if the water pitcher overflows or leaks.
- Water drops off if the rubber cap is opened.
- An alert appears on the main panel if there is a leak. In case of a leak, open the rubber cap so that the leaked water drains. If the alert does not disappear after draining, there might be a system failure. Contact your local Samsung service center.

Operations

Water dispenser (applicable models only)



To dispense chilled water, open the Beverage Center and press the dispenser lever.

NOTE

- The dispenser will stop dispensing if you keep pushing the dispenser lever for about 1 minute. To dispense more water, release and push the lever again.
- Make sure the glass is in line with the dispenser to prevent the dispensed water from spilling out.
- If you do not use the water dispenser for 2-3 days, the dispensed water may have an abnormal smell or taste. This is not a system failure. Discard the first 1-2 glasses of water.

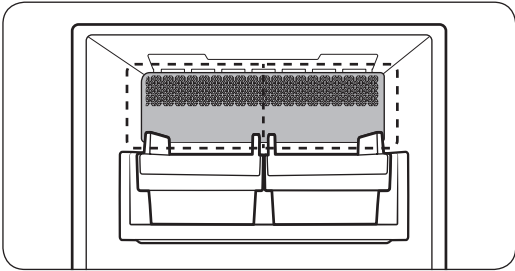
Water clouding

Water supplied to the refrigerator flows through a core alkaline filter. During this filtering process, the water pressure of the water increases and the water becomes saturated with oxygen and nitrogen. This causes the water to look misty or cloudy temporarily when dispensed. This is normal and the water will look clear after a few seconds.

Auto Ice Maker

The refrigerator has a built-in ice maker that automatically dispenses ice.

- The overall design and/or accessories may differ with the model.



WARNING

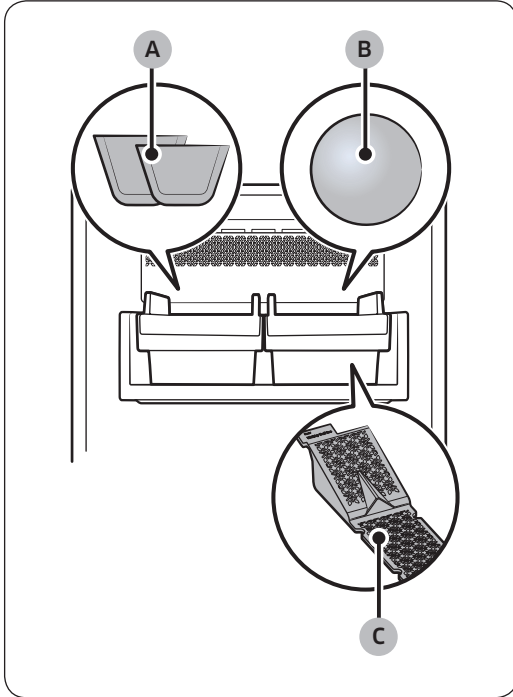
Choking hazard: Ice may cause choking in small children.

For first-time use

- Let the ice maker make ice for 1-2 days.
- Discard the first 1-2 buckets of ice to remove impurities in the water supply system.

Operations

Cubed ice/ice bites and whiskey ball ice maker (applicable models only)



- A. Cubed ice * or ice bites *
- B. Whiskey ball ice
- C. Whiskey ball ice maker pad

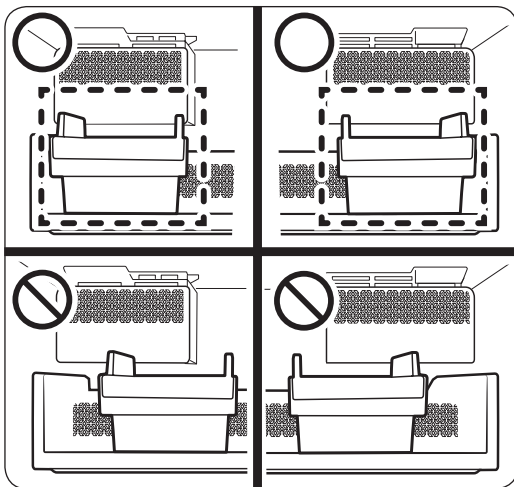
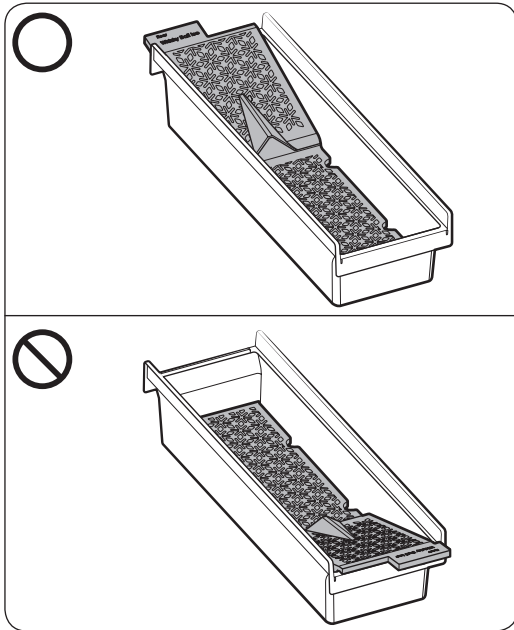
CAUTION

- Do not put your finger into the ice maker.
- Do not freeze water directly in the ice bucket. The ice bucket can get damaged.
- If you leave the door open too long, ice in the ice bucket may melt and clump together.
- If the ice inside the ice bucket melts into water (because of a power outage, etc.) empty the ice bucket. Otherwise, it may cause the ice bucket to break when the water refreezes.
- When the Ice function is on, the ice maker will keep making ice even if there is no ice bucket in place. Make sure you turn off the function if you do not want to make ice.

NOTE

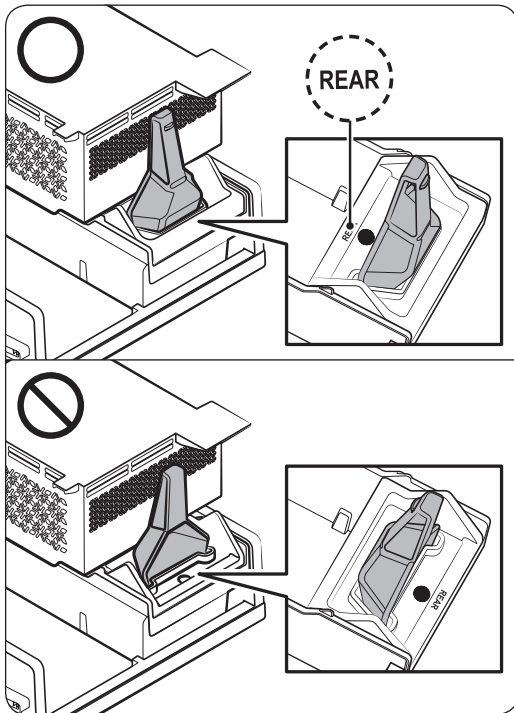
- Empty the ice bucket regularly.
 - Newly produced ice may clump with old ice, and old ice may stick to the ice bucket.
- The size, shape, and transparency of the ice may vary depending on the water pressure and the usage condition (such as ambient temperature, freezer temperature, and frequency of the door opening).
- You may hear a sound when the ice drops into the ice bucket.

- Hold the ice bucket with both hands when you remove it from the freezer to prevent dropping it.



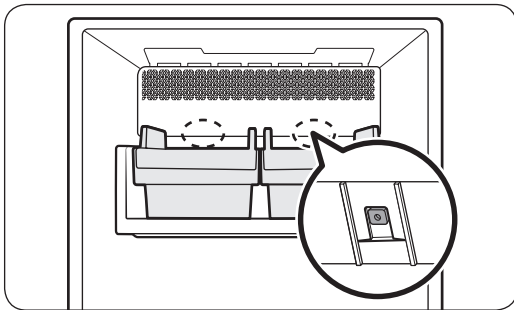
- Make sure to put the whiskey ball ice maker pad in the right direction, and do not get it mixed up with the cubed ice maker pad.
 - The ice maker may stop making whiskey ball ice if you remove the whiskey ball ice maker pad from the ice bucket or if it is inserted in the wrong direction.
 - Place the side with the letter 'Rear' on the pad and ice bucket in the same direction.
- Check the position of the ice bucket before using each ice maker.
 - Place the ice bucket against the wall directly underneath the ice maker. If the ice bucket is not directly underneath the ice maker, the ice maker may not make ice.

Operations

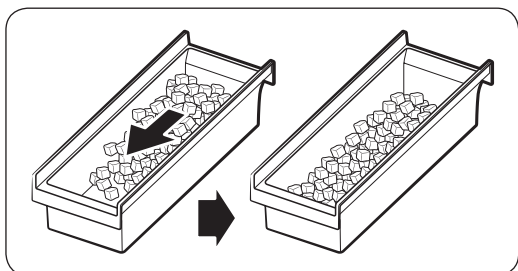


- Correctly place the scoop holder included in the ice bucket for the whiskey ball ice maker. The side with the letter '**REAR**' must face the ice maker.
- If the scoop holder is not inserted or inserted in the wrong direction, the ice maker may not make ice.

Diagnosis



- The overall design and/or accessories may differ with the model.
- If ice does not dispense, first check the status of ice maker using the **Test** button on the bottom of the ice maker.
- Press the **Test** button on the bottom of the ice maker. You will hear a chime (ding-dong) when you press the button. You will hear another chime if the ice maker is operating properly.



- Ice accumulating on one side of the tray is normal. Arrange the ice evenly in the tray to store more ice.

CAUTION

- Leaving the water line disconnected may cause the water valve to produce a buzzing sound over time. If this is the case, make sure to turn the ice making function off.
- If the ice making chime rings repeatedly, contact the waterline installer or a local Samsung service center.
- Do not put food in the ice bucket. The frozen food may damage the ice maker, especially when you open or close the door.
- When the refrigerator recovers power after a power failure, the ice bucket may contain a mix of melted and jammed ice cubes, which can prevent the ice maker from working properly. To prevent this, make sure to empty the ice bucket before using the refrigerator.
- Do not put fingers or any objects into the ice maker. This can cause physical injury or property damage.
- Ice stored in the freezer for a long time gets smaller and then forms large ice chunks caused by sublimation. Therefore, if you are not planning to use the ice maker for a long time, turn it off and empty the ice bucket.
- Use the new hose-sets supplied with the appliance only. Do not re-use an old hose set.

Maintenance

Handling and care

Ice bucket (applicable models only)

If you do not dispense ice for an extended period, ice may form clumps inside the bucket. If this happens, remove and empty the ice bucket.

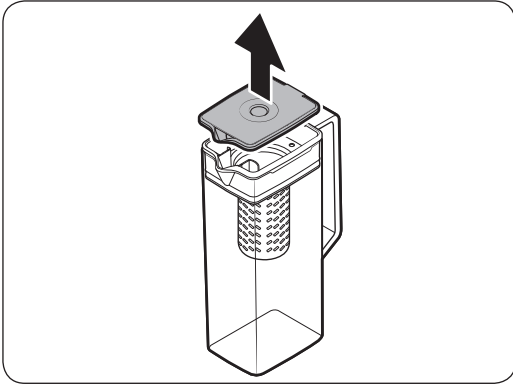
CAUTION

- To prevent injury, make sure to clean up any ice or water that has fallen on the floor.
- To prevent accidents or injury, do not let children play with the water dispenser or the ice maker.
- Use only the provided ice bucket. Third-party ice buckets may cause a system failure.

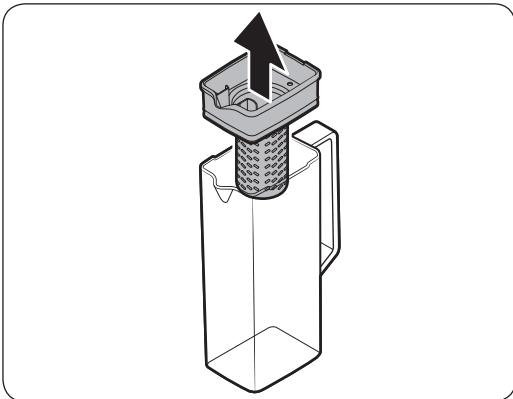
NOTE

Noise from the ice maker as it produces ice during the ice making process is normal.

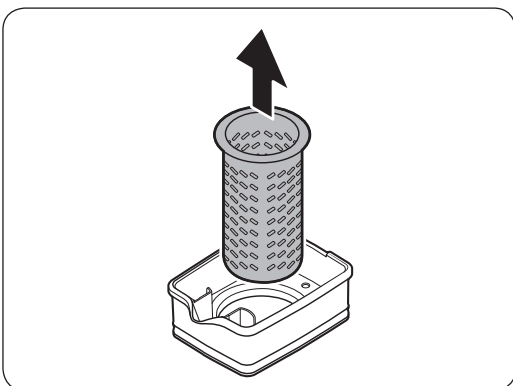
AutoFill Pitcher (applicable models only)



1. Grasp a handle groove of the **lid**, and then pull up to remove.



2. Grasp both sides of the **infuser holder**, and then lift to remove.



3. While slightly twisting the **infuser**, pull it out of the sealed mouth.
4. Clean the **infuser** with neutral agents and running water. Rinse and dry well.
5. Reassemble the AutoFill Pitcher in the reverse order of disassembly.

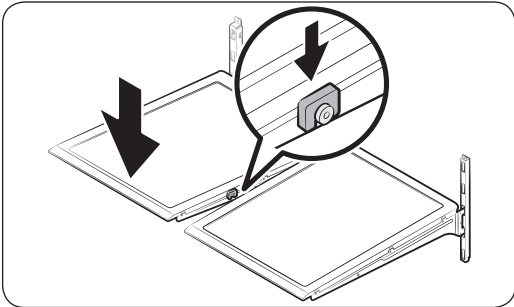
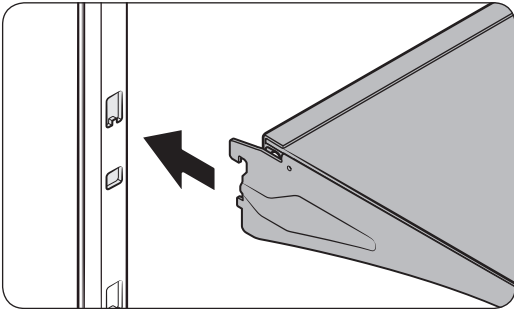
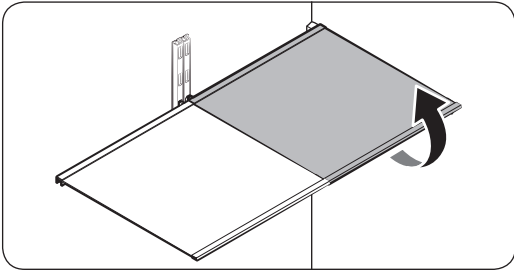
CAUTION

The water pitcher and lid are not microwave safe and can melt or deform if exposed to heat (including hot water). Please hand wash in cool or warm water as needed. (The water temperature must be below 158 °F (70 °C).)

Maintenance

Fridge shelves

The appearance of the shelves differs by model.



- To remove a shelf, fully open the corresponding door. Hold the front of the shelf, and then gently lift up and pull out.

NOTE

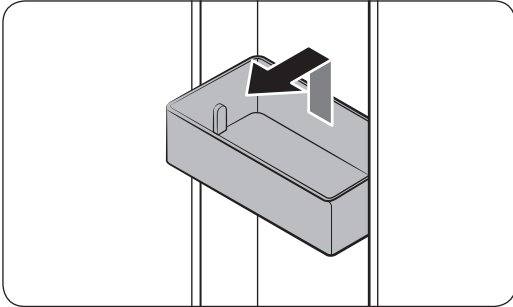
Do not lift up the shelf fully when removing or reinserting the shelf. The rear wall of the fridge room can be dented.

- To reinsert, hold the shelf at an angle so the front is higher than the back, and then insert the top hook into the top shelf notch. Then, lower the shelf and insert the bottom shelf hook into the bottom shelf notch.

CAUTION

- The tempered glass shelves are heavy. Use caution when removing them.
- The shelf must be inserted correctly. Do not insert upside down.
- Glass containers may scratch the surface of glass shelves.

Door bins

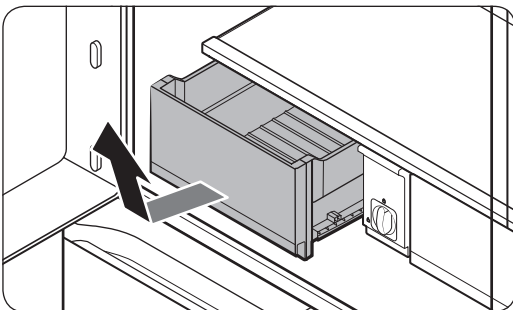


- To remove the **door bin**, hold the front sides of the bin, and then gently lift up to remove.
- To reinsert, insert the **door bin** slightly above its final location making sure that the back of the bin is against the door. Hold the rear of the **door bin** with both hands, and then press down so that it fits snugly.

CAUTION

- Do not remove a bin that is filled with food. Empty the bin beforehand.
- Use caution when opening the door if the bottom bin contains larger bottles, which may fall over.
- Do not allow children to play with the bins. Sharp corners of the bin may cause injury.

Fridge drawers



Gently lift up the front of the drawer and slide out.

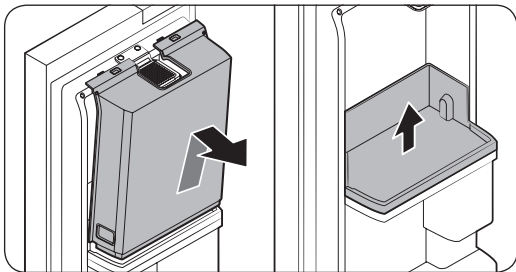
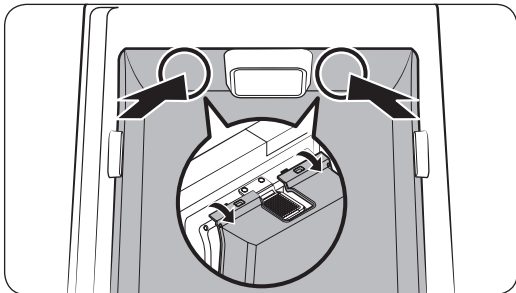
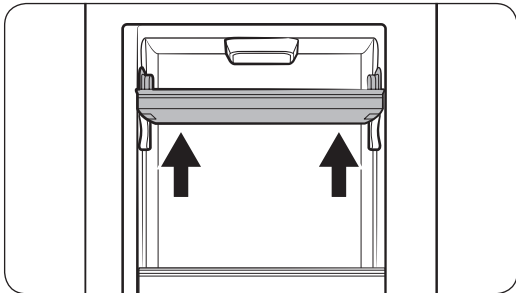
- We recommend that you remove the door bins before removing the drawer. This is to prevent damage to the door bins.
- To reinsert, insert the drawer into the frame rails and then slide inward.

Maintenance

Beverage Zone (applicable models only)

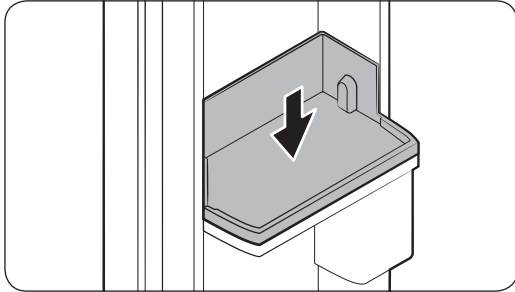
You can select the **Beverage** or **Wine/Dessert** mode. Store items that are suitable for the selected mode.

Disassembling the Beverage Zone

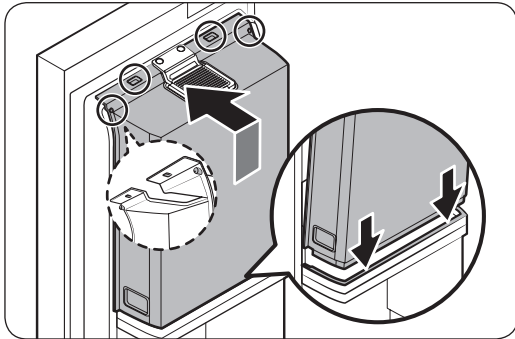


1. Open the left **Showcase door**, and then hold the upper door bin with both hands and lift up to remove it.
2. With the left **Showcase door** open, open the fridge door. Then, push the upper part of the **Beverage Zone** (left and right side of the fan) from inside to release the snap joints securing the **Beverage Zone cover** to the door.
3. If the snap joints at the upper part are released, hold the **Beverage Zone cover** and lift it to remove it.
 - After disassembling the **Beverage Zone cover**, you can hold the lower door bin with both hands and lift it to remove it.

Assembling the Beverage Zone



1. With the fridge door or the **Showcase door** open, align the grooves on the left and right side of the bottom door bin, and then insert it.



2. Open the fridge door, and then assemble the snap joints at the bottom and top of the **Beverage Zone cover** in order. (Reversed order of the disassembly)
 - To assemble the upper door bin, open the **Showcase door**, align the grooves on the left and right side, and then insert it.

Maintenance

Cleaning

Interior and exterior

WARNING

- Do not use benzene, thinner, home/car detergent, or Clorox™ to clean the refrigerator. They may damage the surface of the refrigerator and cause a fire.
- Do not spray water onto the refrigerator. This may cause electric shock.

Regularly use a dry cloth to remove all foreign substances such as dust or water from the power plug terminals and contact points.

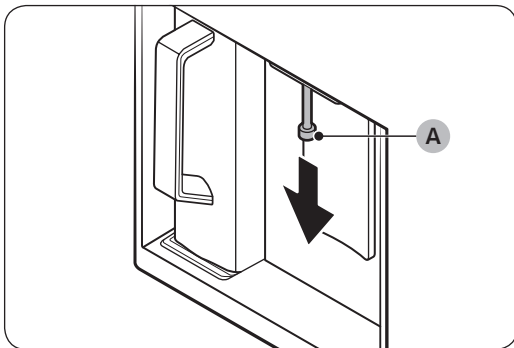
1. Unplug the power cord.
2. Use a moistened, soft, lint-free cloth or paper towel to clean the refrigerator's interior and exterior.
3. When done, use a dry cloth or paper towel to dry well.
4. Plug in the power cord.

Inner-view camera (applicable models only)

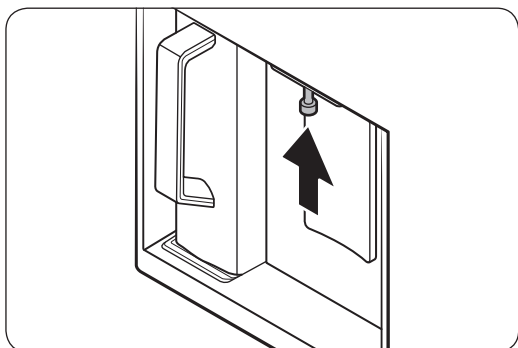
NOTE

Use a cotton swab or microfiber cloth to clean the camera on the top part of the fridge (with the fridge door open).

Dispenser nozzle (applicable models only)



1. Hold the end of the dispenser nozzle (A).
2. While turning the dispenser nozzle (A) left, pull it down to remove it from the dispenser.



3. Clean the dispenser nozzle thoroughly, and then assemble it back.

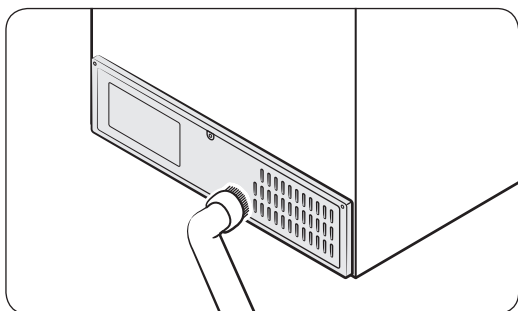
⚠ CAUTION

- Fully insert the dispenser nozzle, so it is back to its original position.
- Do not use a sponge with rough textures for cleaning the dispenser nozzle.

Rubber seals

If the rubber seals of a door become dirty, the door may not close properly and reducing refrigerator performance and efficiency. Use a mild detergent and damp cloth to clean the rubber seals. Then, dry well with a cloth.

Rear panel



To keep cords and exposed parts of the rear panel free of dirt, vacuum the panel once or twice a year.

⚠ CAUTION

Do not remove the rear panel cover. Electric shock may occur.

Maintenance

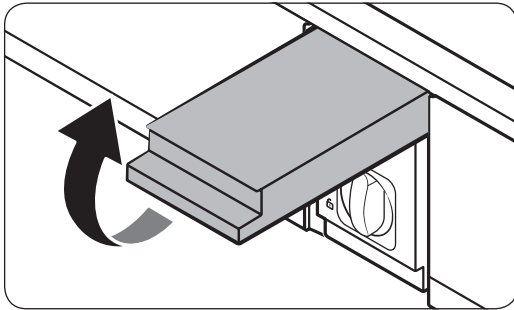
Replacement

Water filter (applicable models only)

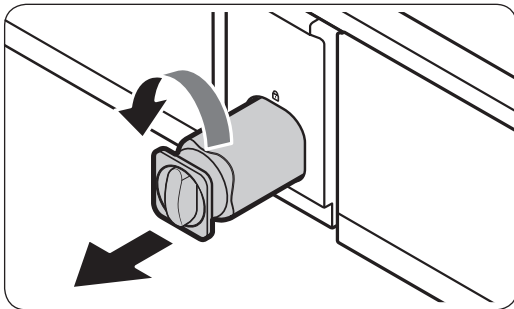
WARNING

- Do not use third-party water filters. Use only Samsung-provided or -approved filters.
- Unapproved filters may leak and damage the refrigerator, causing electric shock. Samsung is not responsible for any damage that may occur from use of third-party water filters.

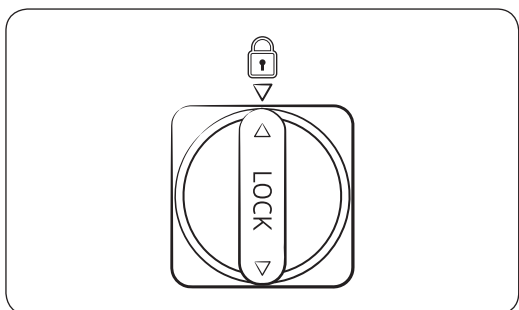
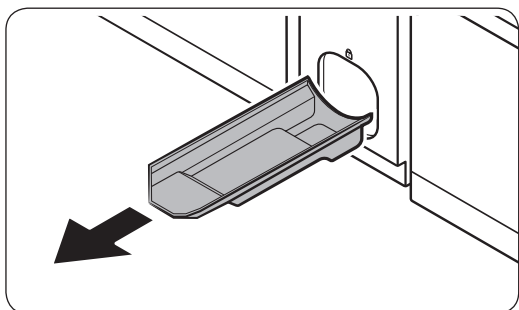
The “**Replace water filter**” message appears on the main panel to let you know it is time to replace the water filter. Before replacing the filter, make sure the main water supply is shut off.



1. Shut off the main water supply.
2. Open the filter cartridge cover.



3. Turn the knob of the filter cartridge counter clockwise 90 degrees ($\frac{1}{4}$ turn). The filter cartridge unlocks.



4. Pull out to remove the cartridge.
 - If the water filter is severely contaminated, the cartridge may not be easy to remove. If that is the case, use force to remove the cartridge.
 - To prevent water leaks from the filter opening, pull the cartridge straight out while removing it.
5. Insert a new filter cartridge. Use only Samsung-provided or approved filters.
6. Turn the cartridge knob clockwise to lock into place.
7. Close the filter cartridge cover.
8. Reset the filter on the main panel.
 - General type: On the main panel, go to **Settings**, and then run **Filter Reset**.
 - Family Hub type: On the Home screen, tap **Fridge Manager** > **Fridge Settings** > **Water Filter**, and then select **Reset**.

NOTE

- A newly installed filter may cause the water dispenser to spurt water briefly. This is because air has entered the waterline.
- The replacement process may cause the water dispenser to drip for a short period of time. If it drips, simply wipe up any water on the floor with a dry towel.

Reverse osmosis water filtration system

The water pressure of the water supply system to a reverse osmosis water filtration system must be between 30-125 psi (206-861 kPa).

The water pressure of the reverse osmosis water filtration system to the refrigerator's cold water line must be at least 30 psi (206 kPa). If the water pressure is below these specifications:

- Check if the sediment filter in the reverse osmosis system is blocked. Replace the filter if necessary.
- Refill the water tank in the reverse osmosis system with water.
- If your refrigerator has a water filter, it may further reduce the water pressure when used in conjunction with a reverse osmosis system. Remove the water filter.

For more information or servicing, contact a licensed plumbing professional.

Maintenance

Ordering a new filter

To purchase a new water filter, contact a local Samsung service center or visit www.samsungparts.com on the web.

LED Lamps

To replace the lamps of the refrigerator, contact a local Samsung service center.

WARNING

- The lamps are not user-serviceable. Do not attempt to replace a lamp yourself. This can cause electric shock.

Door panel (applicable models only)

You can select the door panel you prefer for your BESPOKE refrigerator. Purchase the door panel at a Samsung retail store and an authorized installer will install the panel for you.

CAUTION

- Disassembling or assembling the door panel on your own may result in product damage or personal injury. If you find any problems with the door panel, contact a Samsung service center
- A service fee may be charged for panel replacement even within the warranty period.

Troubleshooting

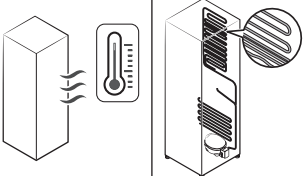
Before calling for service, review the symptoms and recommended solutions below. If none of the suggested solutions resolve your problem, please visit our website at www.samsung.com or call Samsung Customer Care at 1-800-SAMSUNG (726-7864). Note that you will be charged for any service visits in which no defects were found.

General

Temperature

Symptom	Possible causes	Solution
Fridge/freezer does not operate. Fridge/freezer temperature is warm.	<ul style="list-style-type: none">Power cord is not plugged in properly.	<ul style="list-style-type: none">Properly plug in the power cord.
	<ul style="list-style-type: none">Temperature control is not set correctly.	<ul style="list-style-type: none">Set the temperature lower.
	<ul style="list-style-type: none">Refrigerator is located near a heat source or direct sunlight.	<ul style="list-style-type: none">Keep the refrigerator away from direct sunlight or a heat source.
	<ul style="list-style-type: none">Not enough clearance between refrigerator and nearby walls or cabinets.	<ul style="list-style-type: none">We recommend that the gap between the refrigerator and nearby walls (or cabinets) is more than 2" (50 mm).
	<ul style="list-style-type: none">The refrigerator is overloaded. Food is blocking the refrigerator vents.	<ul style="list-style-type: none">Do not overload the refrigerator. Do not allow food to block vents.
Fridge/freezer is over-cooling.	<ul style="list-style-type: none">Temperature control is not set correctly.	<ul style="list-style-type: none">Set the temperature higher.

Troubleshooting

Symptom	Possible causes	Solution
Interior wall is hot.	<ul style="list-style-type: none"> Refrigerator has heat-proof piping in the interior wall. 	<ul style="list-style-type: none"> To prevent condensation from forming, the refrigerator has heat-proof piping in the front corners. If the ambient temperature rises, this equipment may not work effectively. This is not a system failure. 

Odors

Symptom	Possible causes	Solution
Refrigerator has odors.	<ul style="list-style-type: none"> Spoiled food. 	<ul style="list-style-type: none"> Clean the refrigerator and remove any spoiled food.
	<ul style="list-style-type: none"> Food with strong odors. 	<ul style="list-style-type: none"> Make sure strong smelling food is wrapped airtight.

Frost

Symptom	Possible causes	Solution
Frost around the vents.	<ul style="list-style-type: none"> Food is blocking the vents. 	<ul style="list-style-type: none"> Make sure no food blocks the refrigerator vents.
Frost on interior walls.	<ul style="list-style-type: none"> Door is not closed properly. 	<ul style="list-style-type: none"> Make sure food does not block the door. Clean the door gasket.
Fruits or vegetables are frozen.	<ul style="list-style-type: none"> Fruits or vegetables are stored in the FlexZone. 	<ul style="list-style-type: none"> Do not store most kinds of fruit or vegetables in the FlexZone.

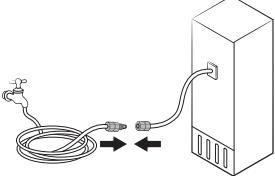
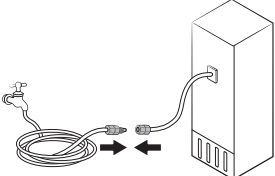
Condensation

Symptom	Possible causes	Solution
Condensation forms on the interior walls.	<ul style="list-style-type: none"> If door is left open, moisture enters the refrigerator. 	<ul style="list-style-type: none"> Remove the moisture and do not leave a door open for extended periods of time.
	<ul style="list-style-type: none"> Food with high moisture content. 	<ul style="list-style-type: none"> Make sure food is wrapped airtight.

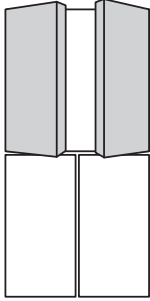
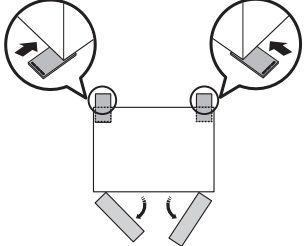
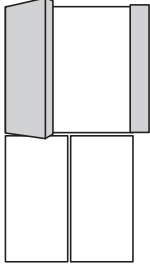
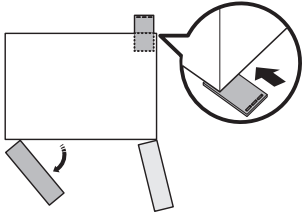
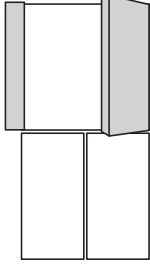
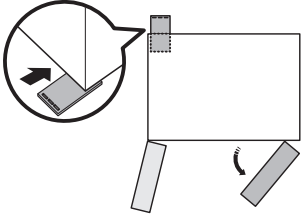
Water/ice (dispenser models only)

Symptom	Possible causes	Solution
Water flow is weaker than normal.	<ul style="list-style-type: none"> Water pressure is too low. 	<ul style="list-style-type: none"> Make sure the water pressure is between 30-125 psi (206-861 kPa).
Ice maker makes a buzzing sound.	<ul style="list-style-type: none"> The ice maker function is activated, but the water supply to the refrigerator has not been connected. 	<ul style="list-style-type: none"> Turn off the Ice Maker.
Ice maker does not make ice.	<ul style="list-style-type: none"> Ice maker has just been installed. 	<ul style="list-style-type: none"> You must wait for 24 hours for the refrigerator to make ice.
	<ul style="list-style-type: none"> Freezer temperature is too high. 	<ul style="list-style-type: none"> Set the freezer temperature below 0 °F (-18 °C) or -4 °F (-20 °C) in warm ambient air.
	<ul style="list-style-type: none"> Ice maker is off. 	<ul style="list-style-type: none"> Turn on the ice maker.

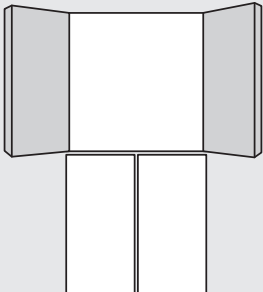
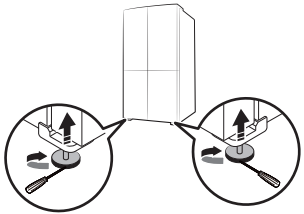
Troubleshooting

Symptom	Possible causes	Solution
Ice does not dispense.	<ul style="list-style-type: none"> Ice may jam if the ice dispenser is not used for a long time (approx. 3 weeks). 	<ul style="list-style-type: none"> If you won't be using the refrigerator for a long time, empty the ice bucket and turn off the ice maker.
	<ul style="list-style-type: none"> Ice bucket is not properly inserted. 	<ul style="list-style-type: none"> Make sure the ice bucket is properly inserted.
	<ul style="list-style-type: none"> Water line is not connected properly or water supply is not on. 	<ul style="list-style-type: none"> Check the water installation conditions. 
Water does not dispense.	<ul style="list-style-type: none"> Water line is not connected properly or water supply is not on. 	<ul style="list-style-type: none"> Check the water installation conditions. 
	<ul style="list-style-type: none"> A third-party water filter was installed. 	<ul style="list-style-type: none"> Use only Samsung-provided or approved filters. Unapproved filters may leak and damage the refrigerator.
	<p>General type</p> <ul style="list-style-type: none"> The “Replace water filter” message appears on the main panel. <p>Family Hub type</p> <ul style="list-style-type: none"> The water filter indicator turns on red. 	<p>General type</p> <ul style="list-style-type: none"> Replace the water filter. Then on the main panel, go to Settings, and then run Filter Reset. <p>Family Hub type</p> <ul style="list-style-type: none"> Replace the water filter. After replacing, reset the filter in Fridge Manager > Fridge Settings > Water Filter.

Auto Open Door (applicable models only)

Symptom		Possible causes	Solution
The fridge doors do not open wide enough.	Both doors 	<ul style="list-style-type: none"> The rear sides of the refrigerator are low. 	<ul style="list-style-type: none"> Raise the rear sides of the refrigerator to level it. * 
	Left door 	<ul style="list-style-type: none"> The rear-right side of the refrigerator is low. 	<ul style="list-style-type: none"> Raise the rear-right side of the refrigerator to level it. * 
	Right door 	<ul style="list-style-type: none"> The rear-left side of the refrigerator is low. 	<ul style="list-style-type: none"> Raise the rear-left side of the refrigerator to level it. * 

Troubleshooting

Symptom	Possible causes	Solution
<p>The fridge doors open too wide.</p> 	<ul style="list-style-type: none">The front sides of the refrigerator are low.	<ul style="list-style-type: none">Raise the front sides of the refrigerator to level it. * 

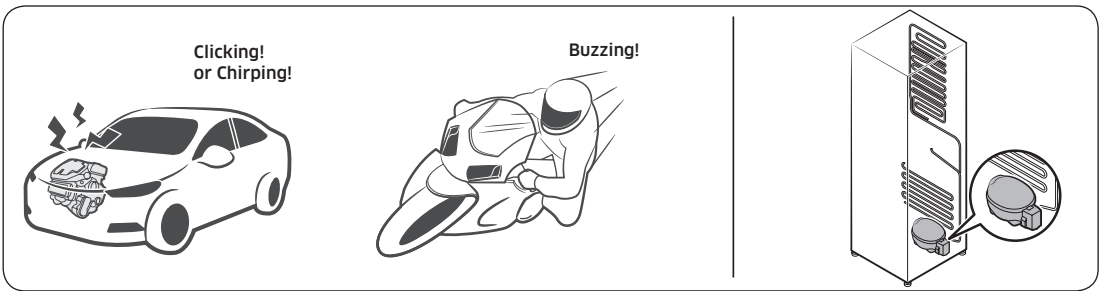
* For more information on leveling the refrigerator, see the “STEP 4 Leveling the refrigerator” section on page 33.)

Do you hear abnormal sounds from the refrigerator?

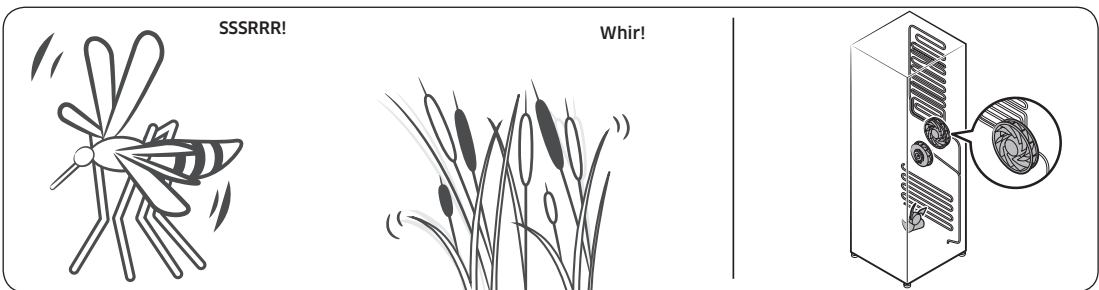
Before calling for service, review the information below. If you still have questions about sounds your refrigerator is making, please call Samsung Customer Care at 1-800-SAMSUNG (726-7864). Note that you will be charged for any service visits related to normal operating sounds in which no defects were found.

These sounds are normal.

- When starting or ending an operation, the refrigerator may make sounds similar to a car engine ignition. As the operation stabilizes, the sounds will decrease.



- While the fan is operating, these sounds may occur. When the refrigerator reaches the set temperature, the fan sound will stop.

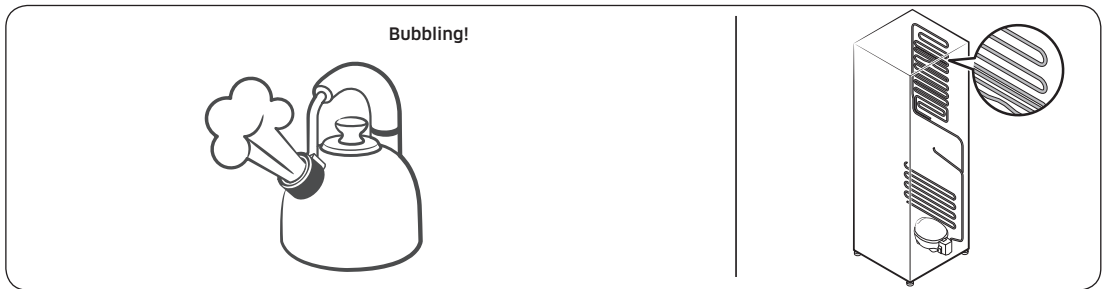


Troubleshooting

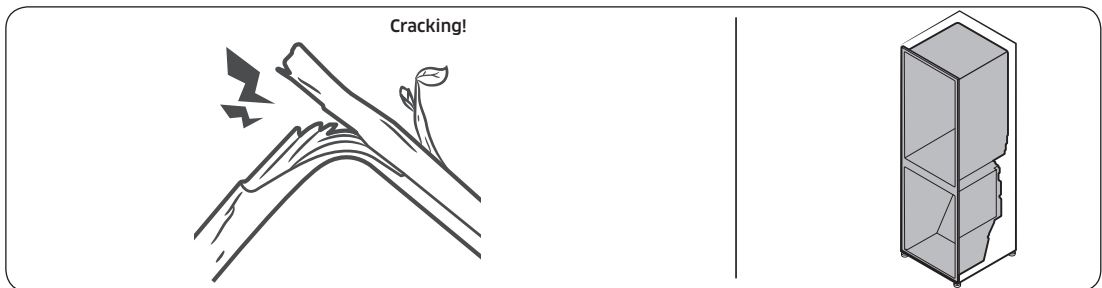
- During a defrost cycle, water may drip on the defrost heater, causing sizzling sounds.



- As the refrigerator cools or freezes, refrigerant gas moves through sealed pipes, causing bubbling sounds.



- As the refrigerator temperature increases or decreases, plastic parts contract and expand, creating knocking noises. These noises occur during the defrosting cycle or when electronic parts are working.



- For ice maker models: When the water valve opens to fill the ice maker, you may hear a buzzing sound.
- Due to pressure equalizing when you open and close the refrigerator door, you may hear a whooshing sound.

SmartThings

Symptom	Action
Could not find "SmartThings" in the app market.	<ul style="list-style-type: none">The supporting software version of the SmartThings app is subject to change according to the OS supporting policy the manufacturer provides. In addition, as for the SmartThings app or the functions that the app supports, the new application update policy on the existing OS version can be suspended due to usability or security reasons.
The SmartThings app fails to operate.	<ul style="list-style-type: none">The SmartThings app is available for applicable models only.The old Samsung Smart Refrigerator app cannot connect with Samsung Smart Home models.
The SmartThings app is installed but is not connected to my refrigerator.	<ul style="list-style-type: none">You must log into your Samsung account to use the app.Make sure that your router is operating normally.If you have not connected your refrigerator to the SmartThings App after the app was installed, you must make the connection using the device registration function of the app.
Could not log into the app.	<ul style="list-style-type: none">You must log into your Samsung account to use the app.If you don't have a Samsung account, follow the app's onscreen instructions to create one.
An error message appears when I try to register my refrigerator.	<ul style="list-style-type: none">Easy Connection may fail due to the distance from your access point (AP) or electrical interference from the surrounding environment. Wait a moment and try again.
The SmartThings app is successfully connected to my refrigerator but does not run.	<ul style="list-style-type: none">Exit and restart the SmartThings app or disconnect and reconnect the router.Unplug the power cord of the refrigerator, and then plug it in again after 1 minute.

Troubleshooting

LCD

(Applicable to Family Hub type only)

Symptom	Action
Cannot connect to my TV.	<ul style="list-style-type: none"> • Check if your TV supports the “TV to Mobile” function. <ul style="list-style-type: none"> - You may find your model name on the label attached to your TV's back or on your TV's Settings menu. - Search for your model on Samsung website and check the specifications section to see if your model supports the function. - 2015-2016 : (J/K models) : JU6400/KU6400 series or above - 2017 : Q6FM or above, MU6400 or above, LS003(frame) - 2018 : Q6FN or above, NU7400 or above, LS03N(frame) - 2019 : Q60R or above, LS03R(frame), LS01R(serif), LS05R(sero. Korea only) - Models released in 2020 and after: Q70 series or above, LS01 series (serif), LS03 series (frame, except 32” models), LS05 series (sero). • Network connections may suffer temporary interruptions. Turn your TV off, and then try again.
The inner view picture looks bulged out or incomplete.	<ul style="list-style-type: none"> • The edges of the inner view may look bulged out. The bulging is caused by the convex lens of the camera. • The inner view may be incomplete due to the blind spots on the left and right corners or screened depending on the layout of food items. Make sure to place food items in the front center.
The displayed measurement on the Fridge Manager is not correct.	<ul style="list-style-type: none"> • The displayed conditions may differ from the actual temperature and humidity.

Smart Grid

(applicable models only)

Symptom	Action
What Do I Need to use the Energy Management and Smart Grid functions?	<p>To use the Smart Grid (Demand Response) and Energy Management functions on your refrigerator, you need the following:</p> <p>Devices</p> <ul style="list-style-type: none">• A wireless access point (router)• A Samsung Energy Management-supported refrigerator• A smartphone <p>Registration</p> <ul style="list-style-type: none">• Connect your refrigerator to your home Wi-Fi network.• Register for the EMS service with your electric company. Your electric company must have an EMS (Energy Management System) supporting SEP (Smart Energy profile). <p>App</p> <ul style="list-style-type: none">• Download the SmartThings app from the Google Play Store, Apple App Store, or Samsung Galaxy Apps.• Install and run the SmartThings app on your smartphone.
Why isn't the Energy Management function working normally?	<ul style="list-style-type: none">• Make sure that your home router is operating normally with proper Internet service and connection.• Make sure that the refrigerator is connected to the AP (router). <p>Checkpoints</p> <ul style="list-style-type: none">• Connect your smartphone to the router (AP, Access Point), and then check if you can browse the Internet on the smartphone.
Why isn't the Delay Defrost Capability working normally?	<ul style="list-style-type: none">• Make sure that your home router is operating normally with proper Internet service and connection.

LIMITED WARRANTY (U.S.A.)

SAMSUNG REFRIGERATOR

LIMITED WARRANTY TO ORIGINAL CONSUMER PURCHASER WITH PROOF OF PURCHASE

This SAMSUNG brand product, as supplied and distributed by Samsung Electronics America, Inc. (SAMSUNG) and delivered new, in the original carton to the original consumer purchaser, is warranted by SAMSUNG against manufacturing defects in materials or workmanship for the limited warranty periods, starting on the date of delivery to the original consumer purchaser:

One (1) year parts and labor

Five (5) years parts and labor on Sealed Refrigeration System Only (Compressor, Evaporator, Condenser, Drier, and Connecting Tubing)

Ten (10) years part and Five (5) years labor on Digital Inverter Compressor Only

This limited warranty is valid only on products purchased and used in the United States that have been installed, operated, and maintained according to the instructions attached to or furnished with the product. To receive warranty service, the purchaser must contact SAMSUNG at the address or phone number provided below for problem determination and service procedures. Warranty service can only be performed by a SAMSUNG authorized service center. The original dated bill of sale and/or proof of delivery must be presented upon request as proof of purchase to SAMSUNG or SAMSUNG's authorized service center to receive warranty service.

SAMSUNG will provide in-home service within the contiguous United States during the warranty period at no charge, subject to availability of SAMSUNG authorized servicers within the customer's geographic area. If in-home service is not available, SAMSUNG may elect, at its option, to provide transportation of the product to and from an authorized service center. If the product is located in an area where service by a SAMSUNG authorized servicer is not available, you may be responsible for a trip charge or required to bring the product to a SAMSUNG authorized service center for service.

To receive in-home service, product must be unobstructed and accessible to the service agent.

During the applicable warranty period, a product will be repaired, replaced, or the purchase price refunded, at the sole option of SAMSUNG. SAMSUNG may use new or reconditioned parts in repairing a product, or replace the product with a new or reconditioned product. Replacement parts and products are warranted for the remaining portion of the original product's warranty or ninety (90) days, whichever is longer. All replaced parts and products are the property of SAMSUNG and you must return them to SAMSUNG.

This limited warranty covers manufacturing defects in materials or workmanship encountered in normal household, noncommercial use of this product and shall not cover the following: damage that occurs in shipment, delivery, installation, and uses for which this product was not intended; damage caused by unauthorized modification or alteration of the product; product where the original factory serial numbers have been removed, defaced, changed in any way, or cannot be readily determined; cosmetic damage including scratches, dents, chips, and other damage to the product's finishes; damage caused by abuse, misuse, pest infestations, accident, fire, floods, or other acts of nature or God; damage caused by use of equipment, utilities, services, parts, supplies, accessories, applications, installations, repairs, external wiring or connectors not supplied or authorized by SAMSUNG; damage caused by incorrect electrical line current, voltage, fluctuations and surges; damage caused by failure to operate and maintain the product according to instructions; in-home instruction on how to use your product; and service to correct installation not in accordance with electrical or plumbing codes or correction of household electrical or plumbing (i.e., house wiring, fuses, or water inlet hoses). The cost of repair or replacement under these excluded circumstances shall be the customer's responsibility.

Visits by an authorized servicer to explain product functions, maintenance or installation are not covered by this limited warranty. Please contact SAMSUNG at the number below for assistance with any of these issues.

EXCLUSION OF IMPLIED WARRANTIES

IMPLIED WARRANTIES, INCLUDING THE IMPLIED WARRANTIES OF MERCHANTABILITY OR FITNESS FOR A PARTICULAR PURPOSE, ARE LIMITED TO ONE YEAR OR THE SHORTEST PERIOD ALLOWED BY LAW. Some states do not allow limitations on how long an implied warranty lasts, so the above limitations or exclusions may not apply to you. This warranty gives you specific rights, and you may also have other rights, which vary from state to state.

LIMITED WARRANTY (U.S.A.)

LIMITATION OF REMEDIES

YOUR SOLE AND EXCLUSIVE REMEDY IS PRODUCT REPAIR, PRODUCT REPLACEMENT, OR REFUND OF THE PURCHASE PRICE AT SAMSUNG'S OPTION, AS PROVIDED IN THIS LIMITED WARRANTY. SAMSUNG SHALL NOT BE LIABLE FOR SPECIAL, INCIDENTAL OR CONSEQUENTIAL DAMAGES, INCLUDING BUT NOT LIMITED TO TIME AWAY FROM WORK, HOTELS AND/OR RESTAURANT MEALS, REMODELING EXPENSES, LOSS OF REVENUE OR PROFITS, FAILURE TO REALIZE SAVINGS OR OTHER BENEFITS REGARDLESS OF THE LEGAL THEORY ON WHICH THE CLAIM IS BASED, AND EVEN IF SAMSUNG HAS BEEN ADVISED OF THE POSSIBILITY OF SUCH DAMAGES. Some states do not allow exclusion or limitation of incidental or consequential damages, so the above limitations or exclusions may not apply to you. This warranty gives you specific rights, and you may also have other rights, which vary from state to state.

SAMSUNG does not warrant uninterrupted or error-free operation of the product. No warranty or guarantee given by any other person, firm, or corporation with respect to this product shall be binding on SAMSUNG.

To obtain warranty service, please contact SAMSUNG at:

Samsung Electronics America, Inc.
85 Challenger Road
Ridgefield Park, NJ 07660
1-800-SAMSUNG (726-7864)
www.samsung.com/us/support

Warranty Information (CANADA)

If your refrigerator needs service

Do not hesitate to call any Samsung Authorized Service Center nearby giving them your name, address and telephone number if your product is not functioning properly.

Limited Warranty for Original Purchaser

This Samsung product is warranted by Samsung Electronics Canada Inc. (hereafter referred to as SECA) against manufacturing defects in material or workmanship for the following periods:

Labor: 1 year (in-home)

Parts: 1 year

Inverter Compressor: 10 years (Part only)

SECA further warrants that if this product fails to operate properly within the specified warranty period and the failure is due to improper workmanship or defective material, SECA will repair or replace the product at its option. In-home service is not available in all areas. Contact us to find out if in-home service is currently available in your area by using the contact information at the back of this warranty.

All warranty repairs or part replacements must be performed by a SECA Authorized Service Center. (To find the nearest SECA Service Center, call 1-800-SAMSUNG (7267864) or visit our web site at www.samsung.com/ca)

Warranty Information (CANADA)

Obligation to the Original Owner

The original dated sales receipt must be retained by the customer and is the only acceptable proof of purchase. It must be presented to a SECA Authorized Service Center at the time service is requested before warranty services are rendered. On all carry-in models, transportation to and from the Authorized Service Center is the responsibility of the customer.

Exclusions of the Warranty

This warranty does not cover damage due to accident, fire, flood, and/or other Acts of God, misuse, incorrect line voltage, improper installation, improper or unauthorized repairs, commercial use, or damage that occurs during shipping. Customer adjustments which are explained in this owners manual are not covered under the terms of this warranty. This warranty will automatically be voided for any unit found with a missing or altered serial number. This warranty is valid only on products purchased and used in Canada.

SAMSUNG CUSTOMER CARE CENTER

Samsung Electronics Canada Inc.
2050 Derry Road West
Mississauga, Ontario L5N 0B9
Canada
1-800-SAMSUNG (726-7864)
www.samsung.com/ca/support (English)
www.samsung.com/ca_fr/support (French)

Regulatory Notice

FCC Notice

FCC CAUTION:

Any changes or modifications not expressly approved by the party responsible for compliance could void the user's authority to operate the equipment.

This appliance contains the transmitter module.

This device complies with Part 15 of FCC Rules. Operation is Subject to the following two conditions:

- (1) This device may not cause harmful interference, and
- (2) This device must accept any interference received including interference that cause undesired operation.

For products available in the US and Canadian markets, only channels 1~11 are available. You cannot select other channels.

FCC STATEMENT:

This equipment has been tested and found to comply within the limits for a Class B digital device, pursuant to part 15 of the FCC Rules. These limits are designed to provide reasonable protection against harmful interference in a residential installation.

This equipment generates, uses, and can radiate radio frequency energy and, if not installed and used in accordance with the instructions, may cause harmful interference to radio communications. However, there is no guarantee that interference will not occur in a particular installation. If this equipment does cause harmful interference to radio or television reception, which can be determined by turning the equipment off and on, the user is encouraged to try to correct the interference by one or more of the following measures:

- Reorient or relocate the receiving antenna
- Increase the separation between the equipment and receiver
- Connect the equipment to an outlet that is on a different circuit than the receiver.
- Consult the dealer or an experienced radio/TV technician for help.

FCC RADIATION EXPOSURE STATEMENT:

This equipment complies with FCC radiation exposure limits set forth for an uncontrolled environment.

This equipment should be installed and operated so there is at least 8 inches (20 cm) between the radiator and your body. This device and its antennas must not be co-located or operated in conjunction with any other antenna or transmitter except in accordance with FCC multi-transmitter product procedures.

Regulatory Notice

FCC Compliance Statement (applicable models only)

Model	RF29DB990012, RF29DB9900QL, RF23DB990012, RF23DB9900QL
Variant Model	RF29DB9900**, RF23DB9900** (The symbol “*” can be any alphanumeric character.)
Responsible Party - U.S. Contact Information	Samsung Electronics America, Inc. 85 Challenger Road. Ridgefield Park. NJ 07660 Phone: 1-800-SAMSUNG (726-7864)

This device complies with Part 15 of the FCC Rules. Operation is subject to the following two conditions: (1) This device may not cause harmful interference, and (2) This device must accept any interference received, including interference that may cause undesired operation.

IC Notice

This appliance contains the transmitter module.

The term “IC” before the radio certification number only signifies that Industry Canada technical specifications were met. Operation is subject to the following two conditions : (1) this device may not cause interference, and (2) this device must accept any interference, including interference that may cause undesired operation of the device.

This Class B digital apparatus complies with Canadian ICES-003.

For products available in the US and Canadian markets, only channels 1~11 are available. You cannot select other channels.

IC RADIATION EXPOSURE STATEMENT:

This equipment complies with IC RSS-102 radiation exposure limits set forth for an uncontrolled environment. This equipment should be installed and operated so there is at least 8 inches (20 cm) between the radiator and your body. This device and it’s antennas must not be co-located or operated in conjunction with any other antenna or transmitter except in accordance with FCC multi-transmitter product procedures.

SAVE THESE INSTRUCTIONS

Open Source Announcement

(Applicable to general type only. For Family Hub type, refer to the online manual.)

The software included in this product contains open source software.

The following URL http://opensource.samsung.com/opensource/SMART_TP1_0/seq/0 leads to open source license information as related to this product.





Scan the QR code* or visit
www.samsung.com/spsn
to view our helpful
How-to Videos and Live Shows

* Requires reader to be installed on your
smartphone

Scan this with your smartphone

Contact SAMSUNG WORLD WIDE

If you have any questions or comments relating to Samsung products, please contact the SAMSUNG Customer Care Center.

Country	Contact Center	Website
U.S.A	1-800-SAMSUNG (726-7864) 1-844-SAM-PAYS (726-7297)	www.samsung.com/us/support
CANADA	1-800-SAMSUNG (726-7864) 1-844-SAM-PAYS (726-7297)	www.samsung.com/ca/support (English) www.samsung.com/ca_fr/support (French)



Refrigerador

Manual del usuario

Electrodoméstico independiente

SAMSUNG

Contenido

Información sobre seguridad	4
Qué debe saber sobre las instrucciones de seguridad	4
Símbolos y advertencias de seguridad importantes:	5
Advertencia sobre la State of California Proposition 65	5
Precauciones importantes de seguridad	5
Señales de advertencia importantes para el transporte y el emplazamiento	7
Advertencias muy importantes para la instalación	7
Precauciones para la instalación	9
Advertencias muy importantes para el uso	9
Precauciones de uso	13
Precauciones para la limpieza	14
Advertencias muy importantes para la eliminación de residuos	15
Instalación	16
Descripción breve del refrigerador	17
Instalación paso a paso	21
Funcionamiento	44
Panel principal	44
SmartThings	53
Recomendaciones relativas al reconocimiento de voz	56
Función SMART GRID (respuesta a la demanda)	56
Funciones especiales	59
Mantenimiento	74
Manipulación y cuidado	74
Limpieza	80
Reemplazo	82
Solución de problemas	85
General	85
¿Se oyen ruidos anómalos procedentes del refrigerador?	92
SmartThings	94
LCD	95
Smart Grid	96

GARANTÍA LIMITADA (EE.UU.)	97
REFRIGERADOR SAMSUNG	97
Aviso regulatorio	100
Aviso de la FCC	100
Aviso de la IC	101
Open Source Announcement	102

Información sobre seguridad

Antes de utilizar su nuevo refrigerador Samsung, lea detenidamente este manual a fin de aprender a usar las funciones que ofrece de manera segura y eficiente.

Qué debe saber sobre las instrucciones de seguridad

- Este electrodoméstico no debe ser utilizado por personas (incluidos niños) con capacidades mentales, sensoriales o físicas reducidas, o por personas que carezcan de experiencia y de conocimientos, a menos que se encuentren bajo supervisión o hayan recibido las instrucciones de uso por parte de un responsable de su seguridad. Se deberá vigilar a los niños para asegurarse de que no jueguen con el electrodoméstico.
- Debido a que las siguientes instrucciones corresponden a diversos modelos, es posible que las características de su refrigerador difieran ligeramente de las que se describen en este manual.
- Si tiene alguna duda, comuníquese al 1-800-SAMSUNG o encuentre ayuda e información en línea en www.samsung.com.
- Si el refrigerante sale por los tubos, este podría incendiarse o dañar los ojos. Si hay pérdida de refrigerante del tubo, manténgalo alejado de las llamas, aparte cualquier material inflamable del producto y ventile la habitación inmediatamente.
 - No seguir esta recomendación puede causar riesgos de incendio o explosión.
- El uso inapropiado de la conexión a tierra puede traer como consecuencia un riesgo de descarga eléctrica. Si necesita usar un cable de extensión, use solo uno de 3 hilos con un enchufe que tenga una tercera punta para el polo a tierra; la toma de corriente deberá tener 3 ranuras para adaptarse al enchufe del electrodoméstico. La potencia indicada en el cable de extensión debe ser CA 115-120 V, 10 A o superior. Si se utiliza un adaptador de tierra, asegúrese de que el receptáculo esté conectado correctamente a tierra.

Símbolos y advertencias de seguridad importantes:

Sírvase seguir todas las instrucciones de seguridad del presente manual. En el presente manual se utilizan los siguientes símbolos de seguridad.

ADVERTENCIA

Riesgos o prácticas inseguras que pueden causar graves lesiones personales, daños a la propiedad y/o incluso la muerte.

PRECAUCIÓN

Riesgos o prácticas inseguras que pueden causar lesiones personales leves y/o daños materiales.

NOTA

Información útil que ayuda a los usuarios a comprender u obtener beneficios del refrigerador.

Estas señales de advertencia se incluyen aquí para evitar que usted o terceros sufran lesiones.

Sígalas atentamente.

Después de leer esta sección, consérvela en un lugar seguro para referencia futura.

Advertencia sobre la State of California Proposition 65

ADVERTENCIA

Cáncer y Daño Reproductivo - www.P65Warnings.ca.gov.

Precauciones importantes de seguridad



ADVERTENCIA: riesgo de incendio/materiales inflamables

ADVERTENCIA

- Se utiliza R-600a como refrigerante. Este producto contiene gas inflamable (Refrigerante R-600a), comuníquese con las autoridades locales para desechar este producto en forma segura.
- Para evitar la creación de una mezcla de gas-aire inflamable en caso de una pérdida en el circuito del refrigerante, el tamaño del lugar en el que se coloca el refrigerador depende de la cantidad de refrigerante utilizado. El lugar debe tener 35.3 pies³ por cada 8 g de refrigerante R-600a en el electrodoméstico.
- La ubicación de instalación no debe estar expuesta a la luz solar directa ni cerca de ningún electrodoméstico o fuente de calor, tales como estufas, hornos u hornillas, radiadores, etc.

Información sobre seguridad

- Si coloca dos productos uno junto al otro, por razones de seguridad, asegúrese de utilizar productos certificados en atmósferas de gas explosivas.
- Nunca debe poner en marcha un electrodoméstico que presente signos de haber sido dañado. Si tiene alguna inquietud, consulte a su distribuidor.
- Si el cable de alimentación está dañado, debe ser reemplazado por el fabricante, su agente de servicios o personas igualmente calificadas para evitar riesgos.
- Debe poder accederse al tomacorriente con facilidad para que el electrodoméstico pueda desenchufarse de la alimentación en caso de emergencia. Debe encontrarse fuera de la zona trasera del electrodoméstico.
- No almacene sustancias explosivas como latas de aerosoles con gases propelentes inflamables en este electrodoméstico.
- Se deben utilizar las mangueras nuevas provistas con el electrodoméstico y no reutilizar las mangueras antiguas.
- Cuando instale el electrodoméstico, asegúrese de que el cable de alimentación no esté atrapado ni dañado.
- No ubique varias regletas de tomacorrientes portátiles o unidades de alimentación móviles en la parte trasera del electrodoméstico.

ADVERTENCIA

- Llenar únicamente con agua potable.
- Mantenga las aberturas de ventilación del gabinete o estructura incorporada del electrodoméstico libres de obstrucciones.
- No utilice dispositivos mecánicos ni cualquier otro medio para acelerar el proceso de descongelamiento que no sean aquellos recomendados por el fabricante.
- No dañe el circuito del refrigerante.
- No utilice electrodomésticos eléctricos dentro de los compartimientos de almacenamiento de alimentos del electrodoméstico, a menos que sean del tipo recomendado por el fabricante.
- Conéctelo solamente a un suministro de agua potable.

ADVERTENCIA

- Existe el riesgo de que los niños queden encerrados. Antes de desechar su antiguo refrigerador o congelador:
 - Retire las puertas.
 - Deje los estantes en su lugar de manera tal que los niños no puedan trepar fácilmente.

Este electrodoméstico está diseñado para uso doméstico y en lugares como

- zonas de cocina de tiendas, oficinas y otros entornos de trabajo;
- granjas y zonas de uso de los clientes en hoteles, moteles u otros entornos de tipo residencial;
- hospederías;
- catering y eventos en instalaciones no minorista similares.

Señales de advertencia importantes para el transporte y el emplazamiento

ADVERTENCIA

- Al transportar e instalar el electrodoméstico deberá tener cuidado de no dañar ninguna de las piezas del circuito del refrigerante.
 - La pérdida de refrigerante del tubo podría incendiarse o dañar los ojos. Si se detecta una fuga, manténgalo alejado de las llamas o de posibles fuentes de inflamación y ventile durante varios minutos el ambiente en el que se encuentra la unidad.
 - El electrodoméstico contiene una pequeña cantidad de refrigerante de isobutano (R-600a), un gas natural con alta compatibilidad ambiental, no obstante también inflamable.

Advertencias muy importantes para la instalación

ADVERTENCIA

- No instale el refrigerador en un lugar húmedo o donde pueda entrar en contacto con agua.
 - El aislamiento deficiente de las piezas eléctricas puede provocar una descarga eléctrica o un incendio.
- No exponga este refrigerador a la luz solar directa ni al calor de estufas, calefactores u otros electrodomésticos.
- No enchufe varios electrodomésticos y el refrigerador en la misma toma múltiple. El refrigerador debe conectarse siempre a un tomacorriente individual cuyo voltaje nominal coincida con el que se especifica en la placa de voltaje del refrigerador.
 - De esta manera se obtiene el mejor desempeño y también se evita que se sobrecarguen los circuitos del cableado de la casa, lo que podría sobrecalentar los cables y provocar un riesgo de incendio.
- Si el tomacorriente está flojo, no conecte el enchufe.
 - Existe el riesgo de que se produzca una descarga eléctrica o un incendio.
- No utilice un cable de alimentación que esté dañado o gastado en su extensión o en cualquiera de los extremos.
- No doble excesivamente el cable de alimentación ni coloque objetos pesados sobre él.
- No tire del cable de alimentación ni lo doble excesivamente.
- No retuerza ni amarre el cable de alimentación.
- No coloque el cable de alimentación sobre un objeto metálico; no coloque sobre él ningún objeto pesado; no lo coloque entre objetos ni lo empuje hacia el espacio que hay detrás del electrodoméstico.
- Al mover el refrigerador, tenga cuidado de no enroscar ni dañar el cable de alimentación.
 - Esto podría causar una descarga eléctrica o un incendio.

Información sobre seguridad

- Nunca desenchufe el refrigerador jalando el cable de alimentación. Siempre sostenga el enchufe con firmeza y jale para extraerlo del tomacorriente.
 - Los daños al cable pueden provocar un cortocircuito, un incendio o una descarga eléctrica.
- No instale este electrodoméstico cerca de calefactores o materiales inflamables.
- No instale este electrodoméstico en un lugar donde pueda haber fugas de gas.
 - Esto podría causar una descarga eléctrica o un incendio.
- Antes de usarse, el refrigerador debe ubicarse e instalarse de manera apropiada de acuerdo con las instrucciones de este manual.
- Conecte el enchufe en la posición correcta con el cable colgando hacia abajo.
 - Si conecta el enchufe al revés, el cable puede cortarse y provocar un incendio o una descarga eléctrica.
- Asegúrese de que el enchufe no esté aplastado ni haya sido dañado por la parte posterior del refrigerador.
- Mantenga los materiales de empaque fuera del alcance de los niños.
 - Existe el riesgo de muerte por asfixia si un niño se coloca los materiales de empaque en la cabeza.
- El electrodoméstico debe colocarse de manera tal que se pueda acceder al enchufe después de la instalación.
 - No seguir esta recomendación puede causar una descarga eléctrica o un incendio debido a una fuga de electricidad.
- No instale este electrodoméstico en un lugar húmedo, engrasado o sucio, o en un sitio con exposición directa al sol o al agua (lluvia).
 - El aislamiento deficiente de las piezas eléctricas puede provocar una descarga eléctrica o un incendio.
- Si ingresaran grandes cantidades de polvo o agua al refrigerador, desenchufe el cable de alimentación y comuníquese con un Centro de Servicio de Samsung Electronics.
 - Si no lo hace, existe el riesgo de que se produzca un incendio.
- No se pare sobre el electrodoméstico ni le coloque objetos encima (tales como ropa, velas o cigarrillos encendidos, platos, productos químicos, objetos metálicos, etc.).
 - Esto podría causar una descarga eléctrica, un incendio, problemas con el producto o lesiones.
- Es necesario quitar toda la película plástica protectora antes de enchufar el producto por primera vez.
- Se deberá vigilar a los niños para asegurarse de que no jueguen con los anillos elásticos utilizados para el ajuste de la puerta o con las grapas del tubo de agua.
 - Existe riesgo de muerte por asfixia si un niño se traga un anillo elástico o una grapa del tubo de agua. Mantenga los anillos elásticos y las grapas del tubo de agua fuera del alcance de los niños.
- El refrigerador debe estar conectado a tierra de manera segura.
 - Siempre asegúrese de haber conectado el refrigerador a tierra antes de intentar examinar o reparar alguna pieza. Las fugas de energía pueden provocar una descarga eléctrica grave.

-
- Nunca utilice como conexión a tierra tubos de gas, líneas telefónicas ni otras posibles fuentes de atracción de rayos.
 - El refrigerador debe estar conectado a tierra para evitar cualquier fuga de energía o descarga eléctrica provocada por fugas de corriente del refrigerador.
 - La fuga de corriente podría causar descargas eléctricas, incendios, explosiones o problemas con el producto.
 - Conecte bien el enchufe a la toma de pared. No utilice enchufes o cables de alimentación dañados ni enchufes de pared flojos.
 - Esto podría causar una descarga eléctrica o un incendio.
 - Únicamente un técnico calificado o compañía de reparaciones debe estar autorizado para cambiar el fusible del refrigerador.
 - No seguir esta recomendación, podría causar una descarga eléctrica o lesiones.

Precauciones para la instalación

PRECAUCIÓN

- Deje espacio suficiente alrededor del refrigerador e instálelo sobre una superficie plana.
 - Mantenga libre de obstáculos el espacio de ventilación en el gabinete o la estructura de montaje del electrodoméstico.
- Una vez que haya instalado el refrigerador y lo haya encendido, permita que funcione durante 2 horas antes de cargarlo con alimentos.
- Se recomienda que el refrigerador sea instalado por un técnico calificado o una compañía de servicios.
 - No seguir esta recomendación puede causar descargas eléctricas, incendios, explosiones, problemas con el producto o lesiones.
- Sobrecargar una de las puertas puede ocasionar la caída del refrigerador y provocar lesiones personales.

Advertencias muy importantes para el uso

ADVERTENCIA

- No conecte el enchufe en un tomacorriente con las manos mojadas.
 - Esto podría causar una descarga eléctrica.
- No coloque objetos en la parte superior de la unidad.
 - Cada vez que abra o cierre la puerta, estos podrían caerse y provocar lesiones personales o daños materiales.

Información sobre seguridad

- No coloque las manos, los pies ni objetos metálicos (tales como palillos chinos, etc.) en la parte inferior o posterior del refrigerador.
 - Esto podría causar una descarga eléctrica o lesiones personales.
 - Algunos bordes filosos podrían provocar lesiones personales.
- No toque las paredes internas del congelador ni los productos almacenados en este con las manos mojadas.
 - Esto puede provocar quemaduras por frío.
- No coloque un recipiente con agua sobre el refrigerador.
 - Si se derrama, existe el riesgo de que se produzca un incendio o una descarga eléctrica.
- No almacene sustancias u objetos volátiles o inflamables (benceno, solvente, gas propano, alcohol, éter, gas LP ni cualquier otro producto de este tipo) en el refrigerador.
 - Este refrigerador se debe utilizar solo para almacenar alimentos.
 - Esto podría causar un incendio o una explosión.
- Se deberá vigilar a los niños para asegurarse de que no jueguen con el electrodoméstico.
 - Aleje los dedos de los puntos de agarre. Los espacios entre las puertas y el gabinete son inevitablemente pequeños. Abra las puertas con cuidado si hay niños cerca.
- No permita que los niños se cuelguen de la puerta ni de los compartimientos de la puerta. Pueden producirse lesiones graves.
- No permita que los niños ingresen al refrigerador. Podrían quedar atrapados.
- No coloque las manos debajo del electrodoméstico.
 - Es posible que algunas puntas filosas le provoquen lesiones.
- No almacene en el refrigerador productos farmacéuticos, materiales científicos ni productos sensibles a la temperatura.
 - No se deben almacenar productos que requieran controles estrictos de temperatura.
- No coloque ni utilice aparatos eléctricos dentro del refrigerador/congelador, a menos que sean del tipo recomendado por el fabricante.
- En caso de sentir olor a humo, desconecte el enchufe de inmediato y comuníquese con un Centro de Servicio de Samsung Electronics.
- Si ingresaran grandes cantidades de polvo o agua al refrigerador, desenchufe el cable de alimentación y comuníquese con el Centro de Servicio de Samsung Electronics.
 - Si no lo hace, existe el riesgo de que se produzca un incendio.
- No permita que los niños se paren sobre un cajón.
 - El cajón se puede romper y los niños pueden caerse.
- No deje las puertas del refrigerador abiertas si el refrigerador no está siendo vigilado y no permita que los niños ingresen en el refrigerador.
- No permita que los bebés ni los niños ingresen al cajón.
 - Esto puede provocar muerte por asfixia debido al encierro o lesiones personales.

- No sobrecargue el refrigerador con comida.
 - Cuando abra la puerta, algún elemento podría caerse y provocar lesiones personales o daños materiales.
- No pulverice material volátil, tal como un insecticida, sobre la superficie del electrodoméstico.
 - Además de ser perjudicial para los seres humanos, puede causar una descarga eléctrica, un incendio o problemas con el producto.
- Nunca coloque los dedos ni otros objetos en el orificio del dispensador de agua, en el recipiente de hielo o en la cubeta de la fábrica de hielo.
 - Esto puede provocar lesiones personales o daños materiales.
- No utilice ni coloque ninguna sustancia sensible a la temperatura, tales como pulverizadores inflamables, objetos inflamables, hielo seco, medicamentos o productos químicos, cerca o dentro del refrigerador.
- No utilice un secador de cabello para secar el interior del refrigerador. No coloque velas encendidas en el refrigerador para eliminar los malos olores.
 - Esto podría causar una descarga eléctrica o un incendio.
- Llene el tanque de agua y la charola para el hielo solamente con agua potable (agua de la llave, agua mineral o agua purificada).
 - No llene el tanque con té, jugo ni bebidas isotónicas. Pueden dañar el refrigerador.
- No se pare sobre el electrodoméstico ni le coloque objetos encima (tales como ropa, velas o cigarrillos encendidos, platos, productos químicos, objetos metálicos, etc.). Esto podría causar una descarga eléctrica, un incendio, problemas con el producto o lesiones. No coloque un recipiente con agua sobre el electrodoméstico.
 - Si se derrama, existe el riesgo de que se produzca un incendio o una descarga eléctrica.
- No mire fijamente la lámpara LED UV durante mucho tiempo.
 - Los rayos ultravioletas podrían dañarle la visión.
- No coloque el estante del refrigerador al revés. El tope del estante no funcionará.
 - El estante de vidrio puede caerse y provocar lesiones.
- Aleje los dedos de los puntos de agarre. Los espacios entre las puertas y el gabinete son inevitablemente pequeños. Abra las puertas con cuidado si hay niños cerca.
- Si se detecta una fuga de gas, evite las llamas o posibles fuentes de ignición y ventile durante varios minutos la habitación en la que se encuentra el electrodoméstico.
 - No toque el electrodoméstico ni el cable de alimentación.
 - No utilice un ventilador.
 - Una chispa puede provocar una explosión o un incendio.
- Utilice solamente lámparas LED proporcionadas por el fabricante o sus agentes de servicio técnico.
- Las botellas se deben almacenar una junto a otra de manera tal que no se tumben ni se caigan.
- Este producto se debe utilizar solo para almacenar alimentos en un entorno doméstico.

Información sobre seguridad

- Nunca coloque los dedos ni otros objetos en el orificio del dispensador de agua, en el recipiente de hielo o en la cubeta de la fábrica de hielo.
 - Esto puede provocar lesiones personales o daños materiales.
- No intente reparar, desensamblar ni modificar el refrigerador por su cuenta.
 - Las modificaciones que no han sido autorizadas pueden provocar problemas de seguridad. Para revertir una modificación no autorizada, cobraremos el costo completo de las piezas y mano de obra.
- No utilice ningún fusible (tales como los de alambres de acero, de cobre, etc.) que no sea un fusible estándar.
- Si es necesario reparar o volver a instalar el refrigerador, comuníquese con su Centro de Servicio Samsung más cercano.
 - No seguir esta recomendación puede causar una descarga eléctrica, un incendio, problemas con el producto o lesiones.
- Si la lámpara LED interior o exterior se ha apagado, comuníquese con el Centro de Servicio más cercano.
- En caso de sentir olor a quemado o a humo en el refrigerador, desenchúfelo de inmediato y comuníquese con un Centro de Servicio Samsung.
 - No seguir esta recomendación podría causar una descarga eléctrica o un incendio.
- Desenchufe el refrigerador antes de cambiar las lámparas internas.
 - Si no lo hace, existe el riesgo de que se produzca una descarga eléctrica.
- Si le resulta difícil cambiar una luz que no sea de LED, comuníquese con un Centro de Servicio de Samsung.
- Si el producto cuenta con lámparas LED, no desensamble las cubiertas de la lámpara y las lámparas LED usted mismo.
 - Comuníquese con un Centro de Servicio de Samsung.
- Conecte bien el enchufe a la toma de pared.
- No utilice enchufes o cables de alimentación dañados ni enchufes de pared flojos.
 - Esto podría causar una descarga eléctrica o un incendio.

Precauciones de uso

PRECAUCIÓN

- No vuelva a congelar alimentos que se hayan descongelado completamente.
- Utilice solamente la fábrica de hielo del refrigerador.
- Para obtener el mejor desempeño del producto:
 - No coloque alimentos muy cerca de las rejillas de ventilación en la parte posterior del refrigerador, ya que pueden obstruir la libre circulación del aire en el compartimiento del refrigerador.
 - Envuelva los alimentos adecuadamente o colóquelos en recipientes herméticos antes de almacenarlos en el refrigerador.
 - Cumpla con los tiempos máximos de almacenamiento y las fechas de vencimiento de los alimentos congelados.
- No coloque recipientes ni botellas de vidrio ni bebidas carbonatadas en el congelador.
 - El recipiente puede congelarse y romperse, y esto puede ocasionar lesiones.
- Garantía de servicio y modificación.
 - El servicio de garantía de Samsung no cubre los cambios o las modificaciones realizadas por un tercero a este electrodoméstico; Samsung tampoco es responsable de los problemas relacionados con la seguridad que puedan surgir a causa de modificaciones hechas por terceros.
- No obstruya las rejillas de ventilación dentro del refrigerador.
 - Si las rejillas de ventilación están tapadas, en particular con una bolsa de plástico, el refrigerador se puede sobrecongelar. Si el período de enfriamiento es demasiado prolongado, el filtro de agua puede romperse y provocar fugas de agua.
- Si se desconecta el refrigerador del suministro de energía, espere al menos cinco minutos antes de volver a enchufarlo.
- Si entraran grandes cantidades de agua al refrigerador, desenchúfelo y comuníquese con un Centro de Servicio Samsung.
- No golpee ni aplique una fuerza excesiva sobre ninguna superficie de vidrio.
 - Un vidrio roto puede causar lesiones personales o daños materiales.
- Llene el tanque de agua y la charola para el hielo solamente con agua potable (agua de la llave, agua mineral o agua purificada).
 - No llene el tanque con té, jugo ni bebidas isotónicas. Pueden dañar el refrigerador.
- Si el refrigerador se inunda, desconecte la alimentación del refrigerador y comuníquese con el centro de servicios Samsung más cercano.
 - Existe el riesgo de que se produzca una descarga eléctrica o un incendio.
- No guarde aceite vegetal en los compartimientos de la puerta del refrigerador. El aceite puede solidificarse, y modificar su sabor y la facilidad de uso. Asimismo, el envase abierto puede gotear y el aceite vertido puede causar grietas en el compartimiento de la puerta. Una vez abierto un envase de aceite, es mejor almacenarlo en un lugar fresco y a la sombra, como un armario o alacena.
 - Ejemplos de aceite vegetal: aceite de oliva, de maíz, de semilla de uva, etc.

Información sobre seguridad

Precauciones para la limpieza

PRECAUCIÓN

- No pulverice con agua directamente dentro o fuera del refrigerador.
 - Existe el riesgo de que se produzca un incendio o una descarga eléctrica.
- No utilice un secador de cabello para secar el interior del refrigerador.
- No coloque velas encendidas en el refrigerador para eliminar los malos olores.
 - Esto podría causar una descarga eléctrica o un incendio.
- No rocíe productos de limpieza directamente sobre el visor.
 - Las letras impresas en el visor pueden borrarse.
- Si cualquier sustancia extraña, tal como agua, ingresa en el refrigerador, desenchúfelo y comuníquese con su Centro de Servicio Samsung más cercano.
 - No seguir esta recomendación podría causar una descarga eléctrica o un incendio.
- Use un paño seco y limpio para retirar cualquier sustancia extraña o polvo de las clavijas del enchufe. No utilice un paño mojado ni húmedo para limpiar el enchufe.
 - De lo contrario, existe el riesgo de que se produzca un incendio o una descarga eléctrica.
- No limpie el refrigerador rociando agua directamente sobre él.
- No limpie el refrigerador con benceno, disolvente o Clorox (blanqueador).
 - Pueden dañar la superficie del refrigerador y provocar un incendio.
- Nunca coloque los dedos ni otros objetos en la salida del dispensador.
 - Esto puede provocar lesiones personales o daños materiales.
- Antes de limpiar o realizar el mantenimiento, desenchufe el refrigerador del enchufe de pared.
 - No seguir esta recomendación podría causar una descarga eléctrica o un incendio.
- Utilice una esponja limpia o un paño suave y un detergente neutro disuelto en agua templada para limpiar el refrigerador.
- No utilice limpiadores abrasivos ni muy fuertes, como limpiacristales, limpiadores corrosivos, líquidos inflamables, ácido clorhídrico, ceras limpiadoras, detergentes concentrados, blanqueadores o limpiadores que contengan petróleo en las superficies externas (puertas y paneles), piezas de plástico, revestimientos de puertas e interiores y juntas.
 - Pueden rayar o dañar el material.
- No limpie con agua caliente los estantes o las cubiertas de vidrio cuando estén fríos. Los estantes y las cubiertas de vidrio pueden romperse si se exponen a cambios bruscos de temperatura o a impactos como golpes o caídas.

Advertencias muy importantes para la eliminación de residuos

ADVERTENCIA

- Si algún niño queda atrapado dentro del refrigerador, puede lastimarse o asfixiarse hasta morir.
- Deseche el material de empaque de este producto de forma tal que no resulte nocivo para el medio ambiente.
- Asegúrese de que ninguno de los tubos que se encuentran en la parte trasera del refrigerador estén dañados antes de desecharlos.
- Este producto contiene R-600a, un gas inflamable, que se utiliza como refrigerante. Comuníquese con las autoridades locales para desechar este producto de manera segura.
- Cuando deseche este refrigerador, retire los burletes y los pestillos de las puertas de manera tal que los niños pequeños o los animales no puedan quedar atrapados en el interior. Se deberá vigilar a los niños para asegurarse de que no jueguen con el electrodoméstico.
 - Si quedan atrapados dentro, los niños pueden lesionarse o sofocarse hasta morir.
- Se utiliza ciclopentano como aislante. Los gases del material de aislamiento requieren un procedimiento especial para desecharlos. Comuníquese con las autoridades locales para desechar este producto de manera que no resulte nocivo para el medio ambiente.
- Mantenga los materiales de empaque fuera del alcance de los niños, ya que pueden ser peligrosos para ellos.
 - Si un niño se coloca una bolsa en la cabeza, puede asfixiarse.

Instalación

Siga las instrucciones cuidadosamente a fin de garantizar la instalación adecuada del refrigerador y de evitar accidentes antes de utilizarlo.

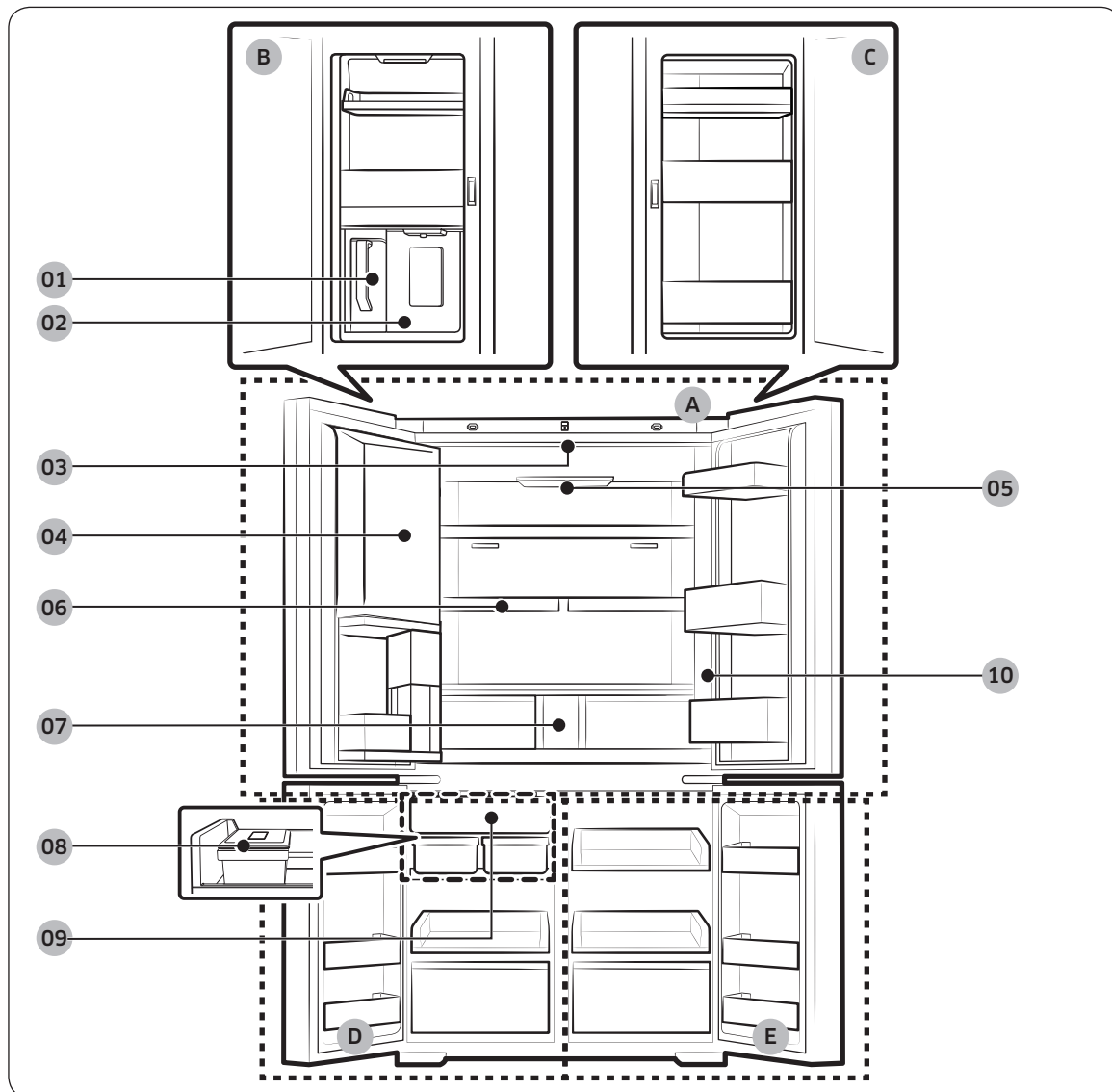
ADVERTENCIA

- Utilice el refrigerador solamente para su uso previsto como se describe en este manual.
- Todas las reparaciones deben estar a cargo de un técnico calificado.
- Descarte el material de empaque del producto de acuerdo con la normativa local.
- A fin de evitar descargas eléctricas, desconecte el enchufe antes de realizar trabajos de mantenimiento o reemplazo de piezas.

Descripción breve del refrigerador

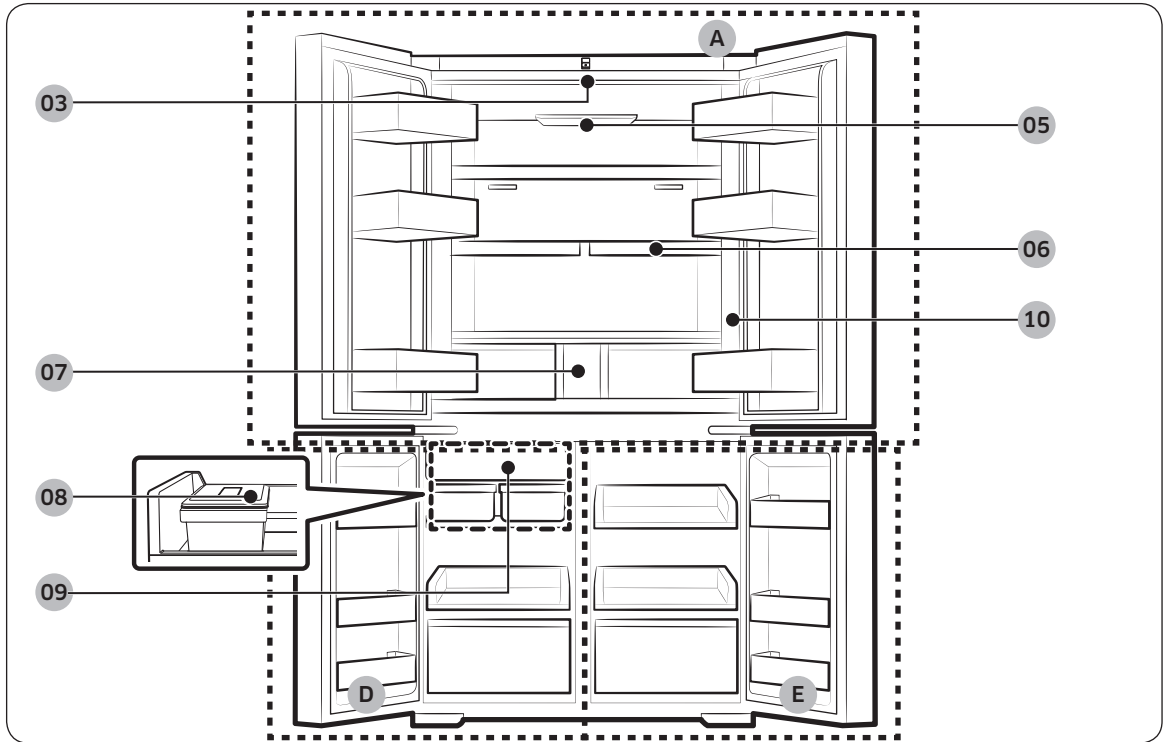
El refrigerador y los componentes provistos pueden diferir de las ilustraciones en este manual según el modelo y el país.

Tipo A



Instalación

Tipo B



01 Llenado automático de la jarra **

02 Dispensador de agua **

03 Cámara *

04 Zona de bebidas *

05 Filtro desodorizante UV *

06 Estante espacio rápido

07 Filtro de agua **

08 Charola de la fábrica de hielo *

09 Fábrica de hielo automática **

10 Panel principal * (Tipo general)

A. Refrigerador

B. Centro de bebidas **

C. Puerta del panel *

D. Congelador

E. FlexZone

* Solo para los modelos correspondientes

** Solo para los modelos con dispensador

 **NOTA**

- Para una mayor eficiencia energética, asegúrese de que todos los estantes, cajones y canastos estén en su posición original.
- Al cerrar la puerta, asegúrese de que la sección de la bisagra vertical se encuentre en la posición correcta para impedir que se raye con la otra puerta.
- Si la sección de la bisagra vertical está invertida, colóquela en la posición correcta y cierre la puerta.
- Algunas veces puede aparecer humedad en esta sección de la bisagra vertical.
- Si cierra una puerta por la fuerza, la otra puerta puede abrirse.
- Si la lámpara LED interna o externa no funcionan, comuníquese con un centro de servicio Samsung.

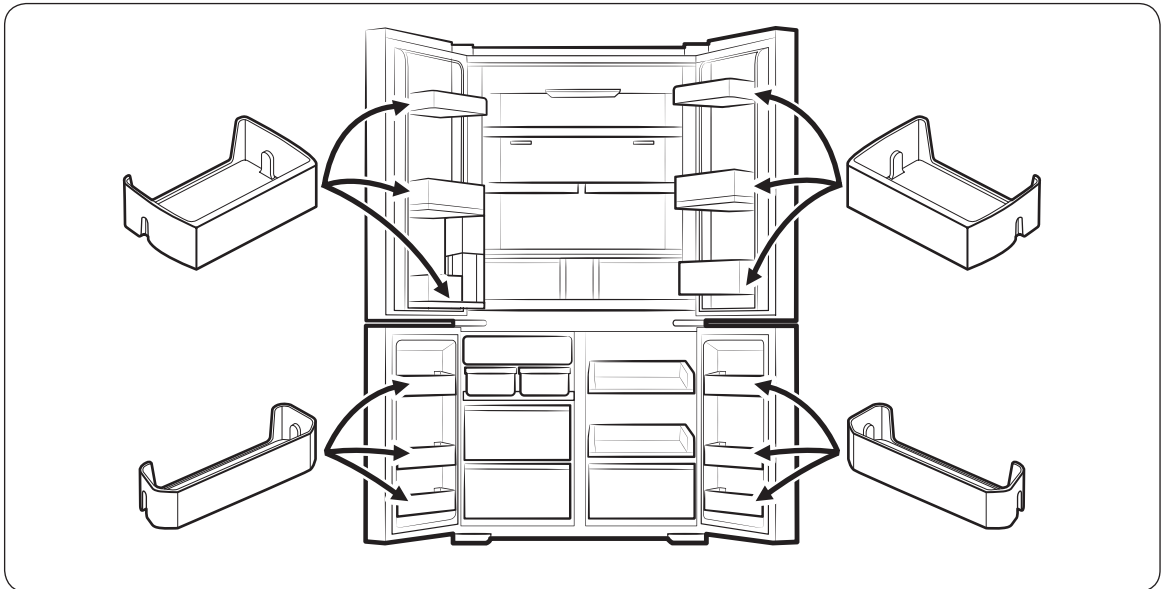
Instalación

Compartimientos de las puertas

Su refrigerador se despacha con compartimientos de las puertas de distintos tipos y tamaños. Si los compartimientos de su refrigerador se embalaron por separado, utilice la siguiente figura como guía para colocarlos correctamente.

NOTA

El refrigerador y los componentes provistos pueden diferir de las ilustraciones en este manual según el modelo y el país.



Instalación paso a paso

PASO 1 Seleccione un lugar

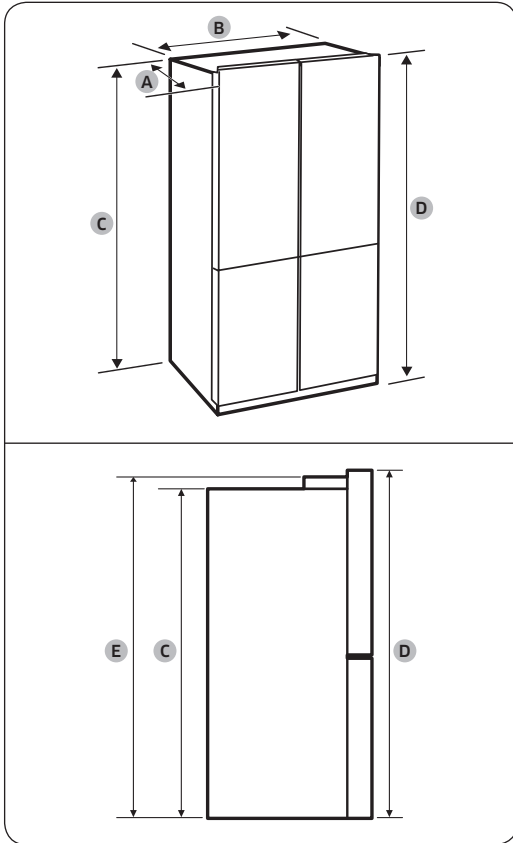
El lugar debe:

- Tener una superficie sólida, nivelada y sin alfombrado ni pisos que puedan obstruir la ventilación
- Estar fuera del alcance de la luz solar directa
- Contar con espacio suficiente para abrir y cerrar la puerta
- Estar alejado de las fuentes de calor
- Contar con lugar para realizar mantenimiento y reparaciones
- Contar con un rango de temperatura de entre 50 °F (10 °C) y 110 °F (43 °C)

Instalación

Espacio libre

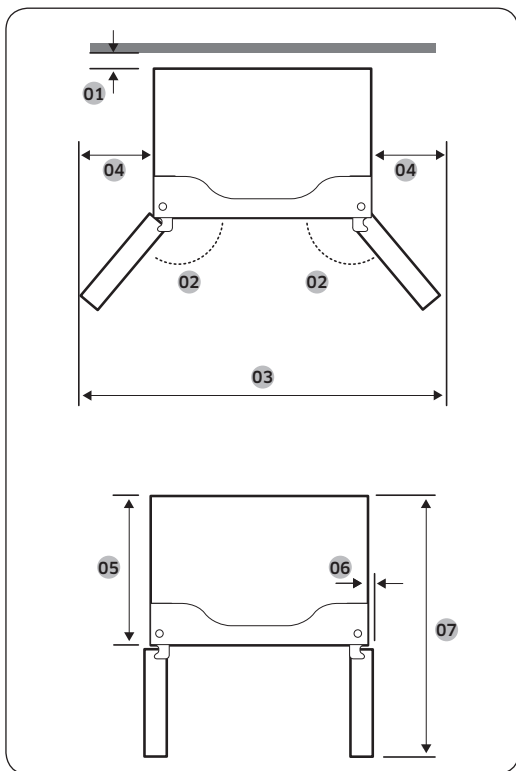
Consulte las imágenes y la tabla que aparecen a continuación y en la siguiente página para conocer los requisitos de espacio de instalación.



- A. Profundidad
- B. Ancho
- C. Altura (sin bisagra)
- D. Altura total
- E. Altura (con bisagra)

Modelo	RF23DB*****	RF23DC*****
A	28 3/4" (731 mm)	28 1/2" (723 mm)
B	35 7/8" (912 mm)	
C	70 3/4" (1797 mm)	
D	73" (1853 mm)	72" (1830 mm)
E	72" (1830 mm)	

Modelo	RF29DB*****	RF29DC*****
A	34 1/4" (869 mm)	33 7/8" (861 mm)
B	35 7/8" (912 mm)	
C	70 3/4" (1797 mm)	
D	73" (1853 mm)	72" (1830 mm)
E	72" (1830 mm)	



Modelo	RF23D*****	RF29D*****
01	se recomienda más de 50 mm	
02	125°	
03	59" (1498 mm)	
04	11 3/4" (295 mm)	
05	24" (610 mm)	29 3/8" (748 mm)
06	2 1/4" (55 mm)	
07	43" (1093 mm)	48 1/2" (1231 mm)

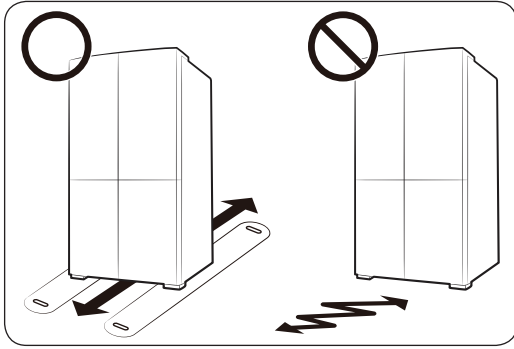
NOTA

Las medidas de su refrigerador pueden diferir de las que figuran anteriormente, según el método de medición.

Instalación

PASO 2 Piso

Si el refrigerador no pasa por la puerta por su tamaño, consulte [Extracción de la puerta para la entrada](#).



NOTA

Para evitar que se dañe el piso, asegúrese de que las patas de nivelación delanteras estén en posición vertical.

- La superficie sobre la que se instalará el refrigerador debe soportar un refrigerador completamente cargado.
- A fin de proteger el piso, coloque un trozo de cartón por el recorrido del refrigerador hasta su ubicación final.
- Una vez que el refrigerador esté en su posición final, no lo mueva a menos que sea necesario a fin de proteger el piso. Si debe hacerlo, utilice un papel grueso o tela, como una alfombra vieja, en el recorrido por el que se lo desplazará.

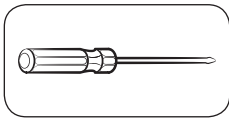
PASO 3 Extracción de la puerta para la entrada

Si el refrigerador no pasa por la entrada de su casa o de la cocina por una cuestión de tamaño, siga estas instrucciones para extraer y colocar nuevamente las puertas del refrigerador. Si no necesita retirar las puertas, vaya a la página 33 para continuar con el procedimiento de instalación.

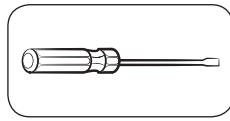
ADVERTENCIA

Desenchufe el cable de alimentación del refrigerador antes de retirar las puertas.

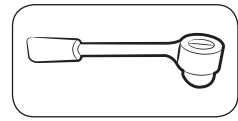
Herramientas necesarias (no provistas)



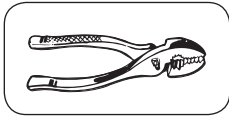
Destornillador Phillips



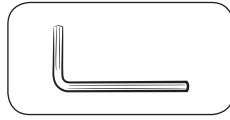
Destornillador de cabeza plana



Llave de tubo $\frac{3}{8}$ " (10 mm)

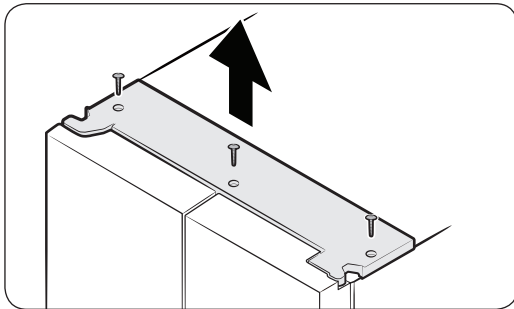


Pinzas



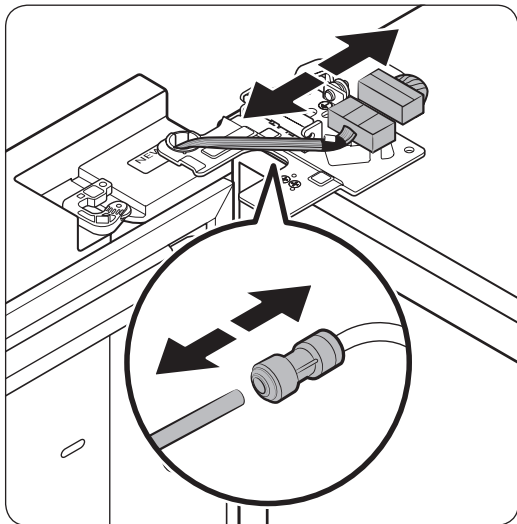
Llave Allen $\frac{1}{4}$ " (5 mm)

Retire las puertas del refrigerador



1. Con las puertas cerradas, utilice un destornillador Phillips para extraer los tornillos (x3) de la cubierta superior. Levante y retire la cubierta superior con los conectores.

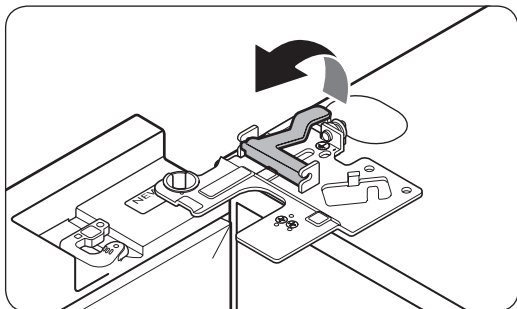
Instalación



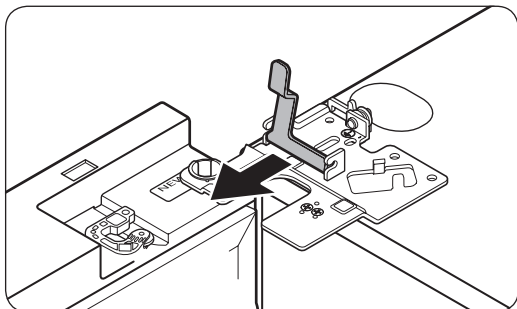
2. Desconecte los dos conectores de cables de la puerta izquierda. La posición de los conectores varía entre modelos.

⚠ PRECAUCIÓN

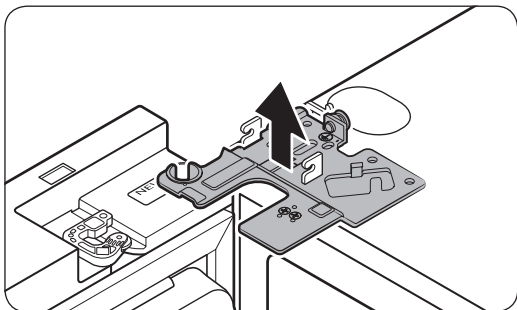
- No retire ambas puertas simultáneamente. Asegúrese de retirar una puerta por vez. De lo contrario, alguna podría caerse y provocar lesiones.
 - Asegúrese de que el refrigerador esté apagado antes de desconectar los conectores.
3. Desconecte el tubo de agua del acoplador en la puerta izquierda como se muestra.
 - Este paso no se aplica a los modelos sin la función Llenado automático de la jarra y el dispensador de agua.



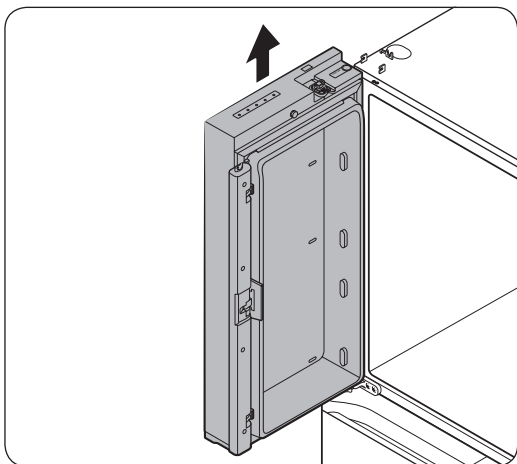
4. Levante suavemente la abrazadera en varios pasos. A fin de evitar lesiones en los dedos, no aplique una fuerza repentina sobre la abrazadera.



5. Jale la abrazadera hacia arriba para retirarla.



6. Abra la puerta a 90 grados. Mientras sostiene la puerta, levante y retire la bisagra superior. Tenga cuidado de no dañar los cables de los conectores al retirar la bisagra.



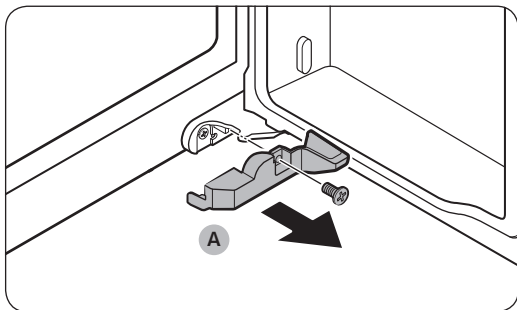
7. Levante suavemente la puerta en sentido vertical para retirarla. No use fuerza excesiva. La puerta puede caerse y provocarle lesiones.
8. Coloque la puerta en una superficie plana.
9. Repita los pasos 1 a 8 para la otra puerta, excepto el paso 3. La puerta derecha no tiene tubo de agua.
 - El paso 2 no aplica a los modelos sin puerta del panel.

Instalación

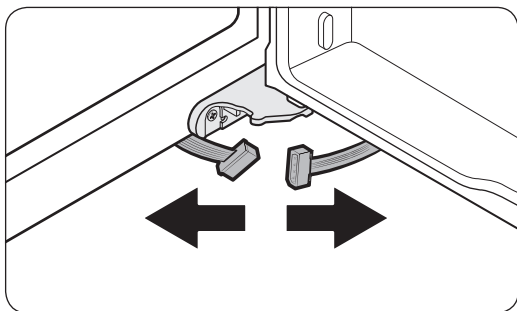
Retire las puertas del congelador

PRECAUCIÓN

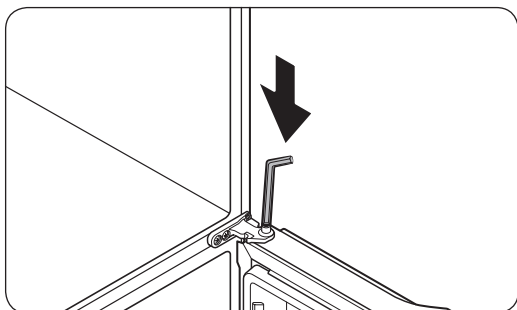
- Asegúrese de retirar las puertas del refrigerador antes de retirar las del congelador.
- Tenga cuidado al desconectar los conectores inferiores.



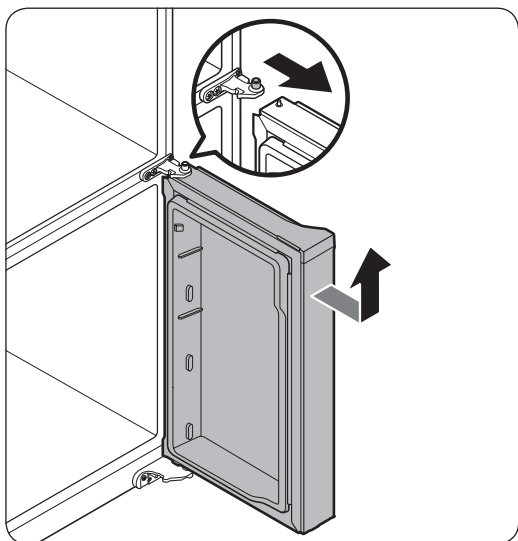
1. Abra la puerta del congelador.
2. Con un destornillador Phillips, extraiga el tornillo que sujeta la **cubierta (A)**.
 - Este paso solo aplica a la puerta derecha del congelador (puerta de FlexZone).



3. Desconecte los conectores de cables.
 - Este paso solo aplica a la puerta derecha del congelador (puerta de FlexZone).



4. Ubique el eje de la bisagra. Mientras sostiene la puerta con una mano, utilice un destornillador plano o una llave Allen para presionar el eje hacia abajo. Asegúrese de sostener la puerta para evitar que se caiga.

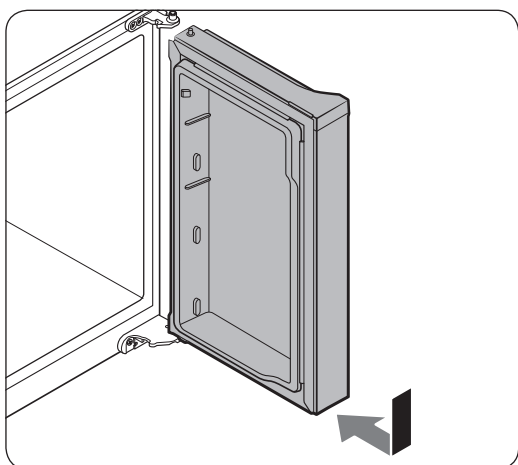


5. Para evitar el contacto con la bisagra del medio, incline levemente la puerta hacia el frente y, luego, levántela para retirarla.
6. Repita los pasos 1 a 5 para la otra puerta, excepto los pasos 2 y 3.

Para volver a colocar las puertas del congelador

⚠ PRECAUCIÓN

- Las puertas del congelador deben volver a colocarse antes las puertas del refrigerador.
- Tenga cuidado de no dañar ni pisar los cables durante este proceso.

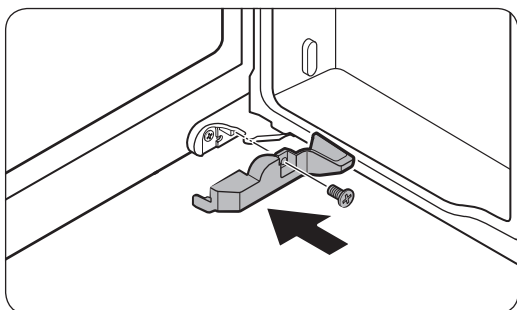
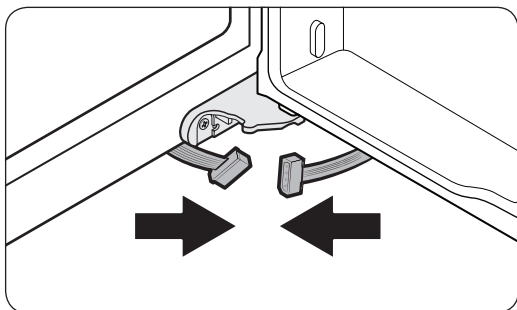
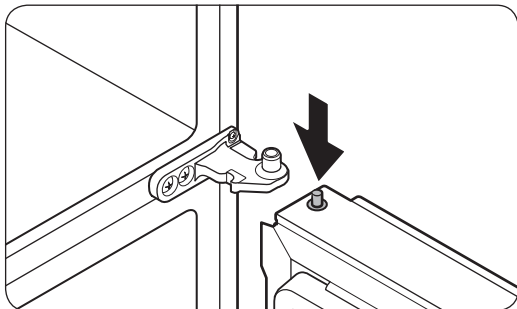


1. Inserte la puerta del congelador en la bisagra inferior mientras empuja la puerta en la dirección de la flecha.

⚠ PRECAUCIÓN

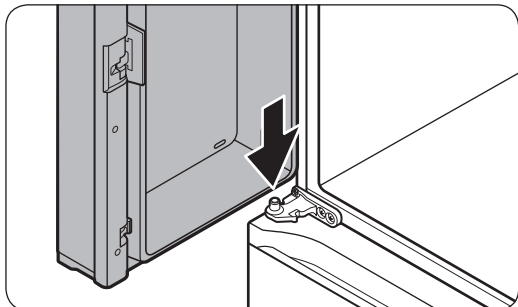
- Tenga cuidado de no dañar ni pisar los cables durante este proceso.

Instalación

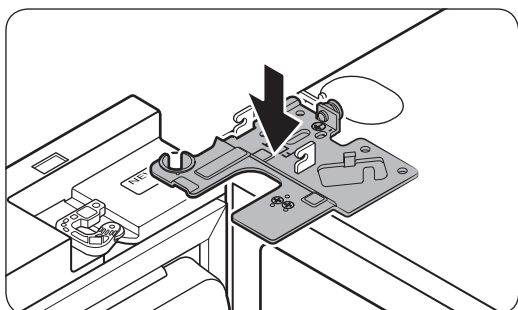


2. Mientras mantiene presionado el eje de la bisagra, coloque la puerta de manera que el eje quede por debajo del orificio del eje de la bisagra del medio. Suelte el eje de la bisagra para que entre en el orificio.
3. Con la puerta abierta, conecte los conectores inferiores en las direcciones de las flechas.
 - Este paso solo aplica a la puerta derecha del congelador (puerta de FlexZone).
4. Coloque la cubierta con un destornillador Phillips. Tenga cuidado de no dañar ni pisar los conectores.
 - Este paso solo aplica a la puerta derecha del congelador (puerta de FlexZone).
5. Repita los pasos 1 a 5 para la otra puerta, excepto los pasos 3 y 4.

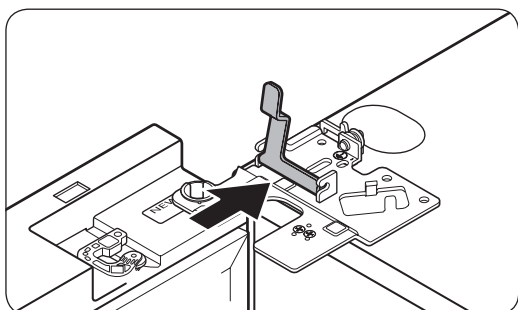
Para volver a colocar las puertas del refrigerador



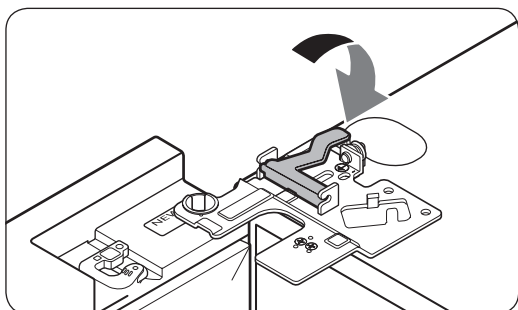
1. Mientras sostiene la puerta abierta a más de 90 grados, inserte el eje de la bisagra del medio en el orificio de la parte inferior de la puerta.



2. Coloque la bisagra superior en su posición en la parte de arriba del refrigerador y, luego, inserte el eje de la bisagra en el orificio superior de la puerta. Asegúrese de que los cables de la puerta pasen a través del orificio del eje de la bisagra.

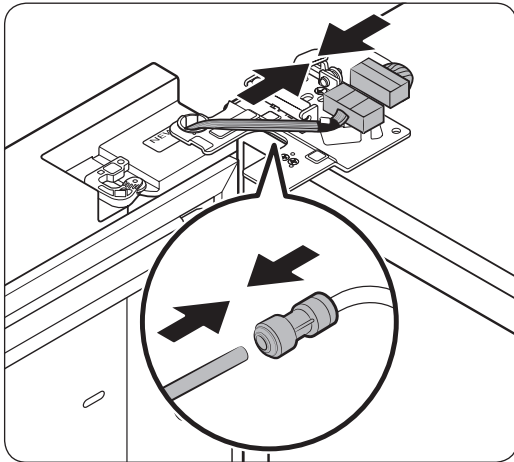


3. Inserte la abrazadera en la dirección de la flecha.



4. Lleve la abrazadera hacia atrás como se ilustra.

Instalación



5. Conecte los conectores de cables.

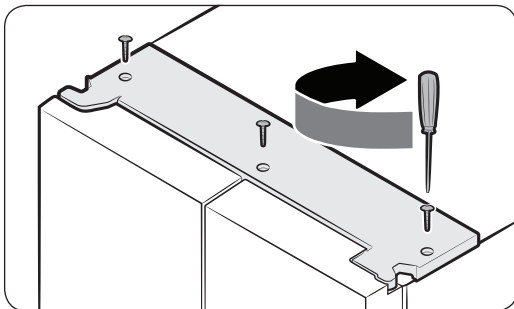
⚠ PRECAUCIÓN

- Asegúrese de que los conectores de cables estén bien conectados. De lo contrario, el visor no funcionará.
6. Conecte el tubo de agua.
 - Este paso no se aplica a los modelos sin la función Llenado automático de la jarra y el dispensador de agua.

⚠ PRECAUCIÓN

- Para evitar fugas de agua, asegúrese de que las grapas rojas ajusten el acoplador adecuadamente.
- Mantenga las grapas fuera del alcance de los niños.

7. Repita los pasos 1 a 5 para la otra puerta.
 - El paso 5 no aplica a los modelos sin puerta del panel.
8. Coloque la cubierta superior con el lado frontal primero y, luego, presione la parte posterior hasta alcanzar su posición. Luego, ajuste los tornillos (x3).



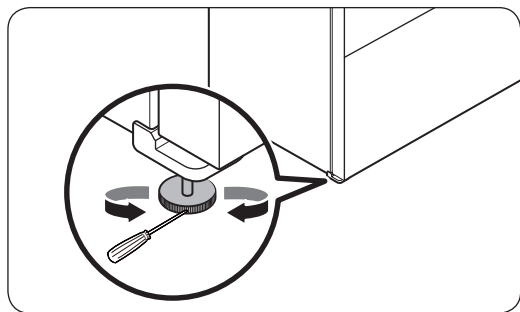
PASO 4 Nivelación del refrigerador

Ajuste de la altura frontal

PRECAUCIÓN

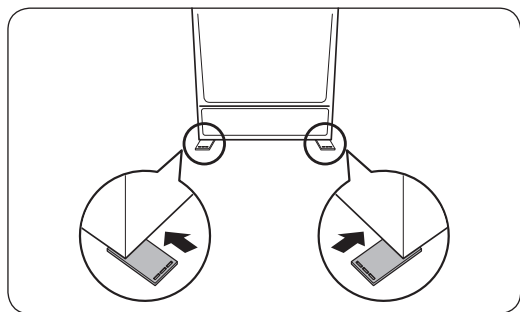
- Una vez instalado, el refrigerador debe estar nivelado sobre un piso plano y sólido. No nivelar el refrigerador puede provocar daños al refrigerador o lesiones personales.
- La nivelación debe realizarse con el refrigerador vacío. Asegúrese de que no haya alimentos dentro del refrigerador.
- Por razones de seguridad, ajuste la parte delantera un poco más elevada que la parte trasera.

Nivele el refrigerador con los tornillos especiales (niveladores) en las patas delanteras. Use un destornillador plano para girar los niveladores.



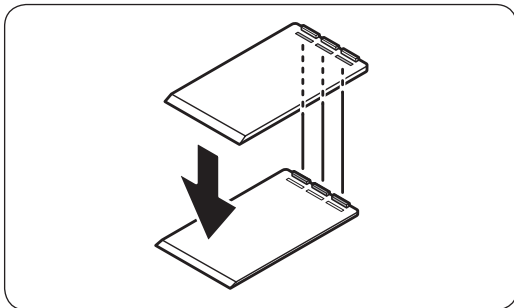
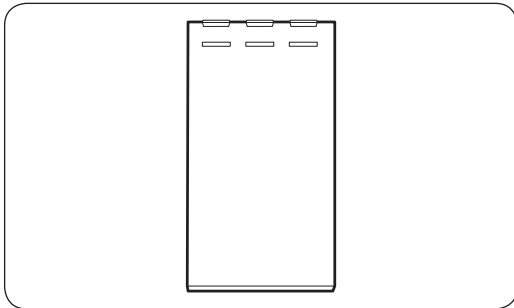
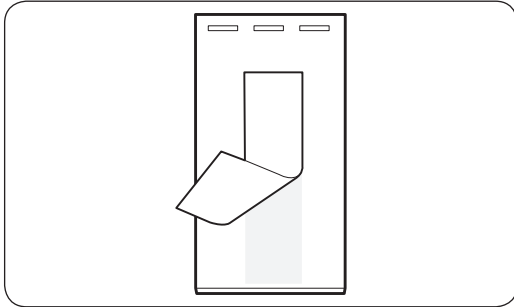
Inserte un destornillador plano en el nivelador de la pata delantera del lado izquierdo o derecho. Gire el nivelador en el sentido de las agujas del reloj para elevarlo o en el sentido contrario para bajarlo.

Ajuste de la altura posterior (solo para los modelos correspondientes)



Si necesita levantar la parte posterior del refrigerador para nivelarlo, puede usar los cojinetes de ajuste de nivel proporcionados. Siga estas instrucciones para levantar la parte posterior del refrigerador.

Instalación



1. Elija la posición en el piso donde necesita colocar el cojinete de ajuste de nivel.
2. Despegue la cinta de doble cara en la parte inferior del cojinete.

3. Fije el cojinete al piso.

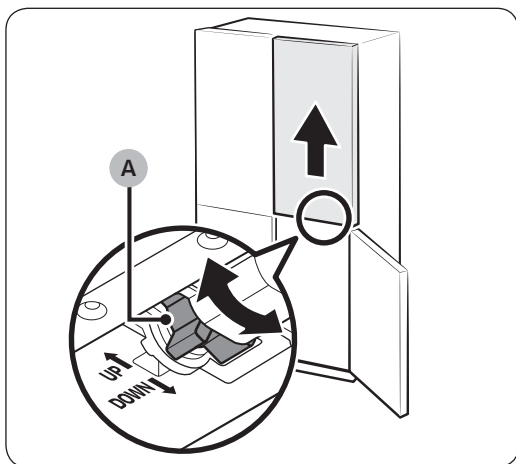
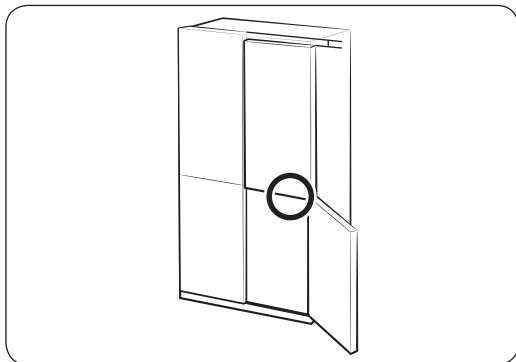
4. Si necesita elevar aún más la altura posterior, coloque otro cojinete de ajuste encima del primero.

NOTA

- Puede omitir este paso si puede nivelar el refrigerador usando un solo cojinete.
- Asegúrese de que las nervaduras del primer cojinete de ajuste estén insertadas en las ranuras del cojinete del segundo nivel.

PASO 5 Ajustar la altura de la puerta

Cómo usar la palanca de ajuste de altura (solo para los modelos correspondientes)

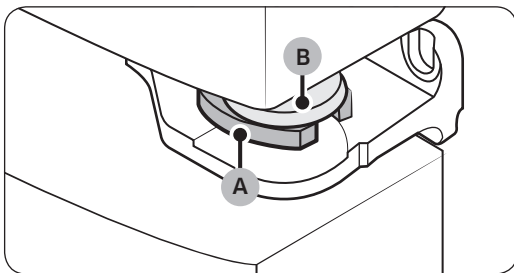
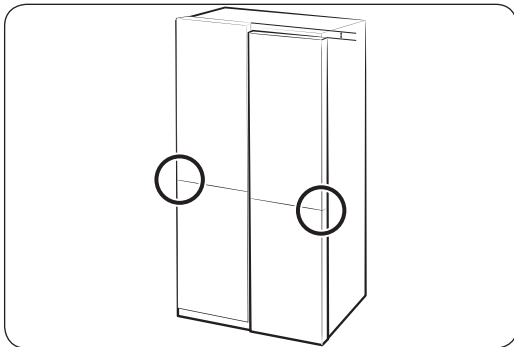
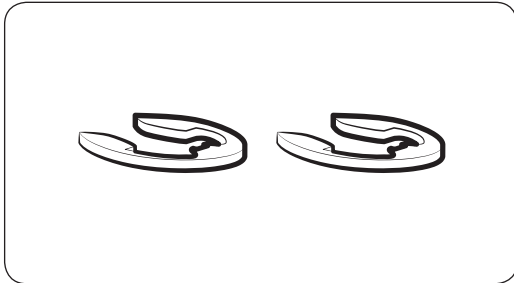


- Antes de alinear la altura de la puerta, asegúrese de que el refrigerador esté nivelado. Para ello, utilice las patas de nivelación.
- Puede usar la palanca de ajuste de altura en la parte inferior de la puerta derecha del congelador. Abra la puerta derecha del congelador con ambas puertas del refrigerador cerradas y use la palanca para ajustar la altura de la puerta.
- Gire la **palanca de ajuste de altura (A)** hasta que las dos puertas estén alineadas en la parte superior. Gire la palanca hacia la posición UP (ARRIBA) (como está marcado) para levantar la puerta derecha, y gírela hacia la posición DOWN (ABAJO) (como está marcado) para bajar la puerta.
- Levante ligeramente la puerta del refrigerador para facilitar la alineación. La altura máxima ajustable es de 3 mm.
 - La palanca no superará el límite máximo de giros. Podría hacer ruido si se la gira demasiado.
 - Una altura excesiva podría interferir con la cubierta de la bisagra superior de la puerta del refrigerador.
- Si alinea la altura de la puerta con los compartimentos vacíos y, luego, almacena artículos en ellos, las alturas podrían volver a diferir. Si esto sucede, siga los pasos anteriores para volver a alinear las puertas.

Instalación

Cómo ajustar la altura con los anillos elásticos

Para los modelos con palanca de ajuste de altura en la puerta derecha del refrigerador, use los anillos elásticos solo si no puede alinear las puertas con la palanca.



NOTA

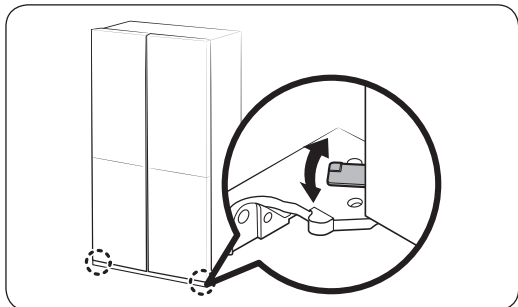
Es posible ajustar la altura de la puerta con los anillos elásticos provistos que vienen en 4 tamaños diferentes (1 mm, 1.5 mm, 2 mm y 2.5 mm).

1. Controle la diferencia de altura entre las puertas y luego eleve y sostenga la puerta más baja.
2. Inserte un anillo elástico (A) del tamaño adecuado entre el anillo de caucho (B) de la puerta y la bisagra como se ilustra.

PRECAUCIÓN

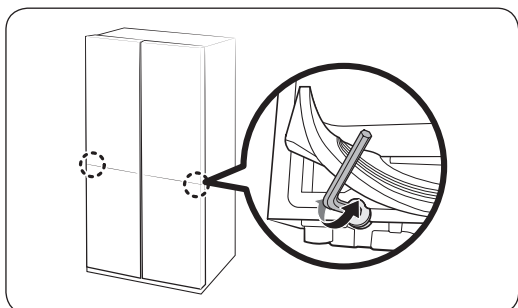
- Inserte solo un anillo elástico. Colocar dos o más anillos elásticos puede hacer que se deslicen o hagan ruido por el rozamiento.
- Mantenga los anillos elásticos fuera del alcance de los niños y consérvelos para uso futuro.
- No eleve la puerta en demasía. La puerta puede entrar en contacto y dañar la cubierta superior.

Ajustar la altura de la puerta del congelador (solo para los modelos correspondientes)



- Antes de alinear la altura de la puerta, asegúrese de que el refrigerador esté nivelado. Para ello, utilice las patas de nivelación.
- Puede ajustar la altura de ambas puertas del congelador con la palanca ubicada en la bisagra inferior.
- Abra la puerta, levántela un poco y, luego, gire la palanca hacia la izquierda o la derecha para ajustar la altura.

Ajustar la holgura entre las puertas y el cuerpo principal del refrigerador (solo para los modelos correspondientes)



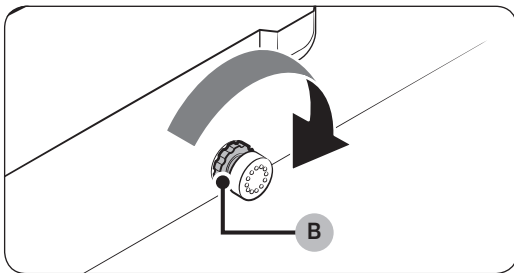
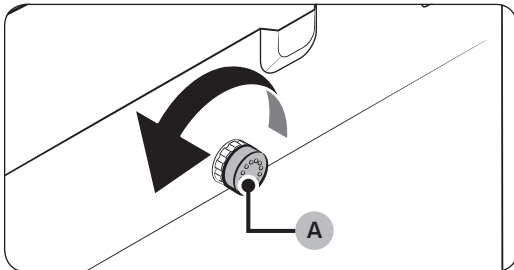
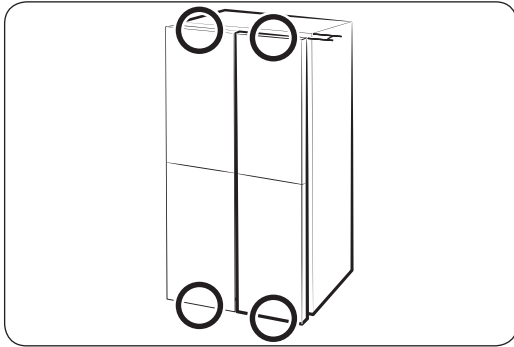
- Puede ajustar la holgura entre ambas puertas y el cuerpo principal del refrigerador con el perno de ajuste ubicado en la parte inferior del compartimiento del refrigerador.
- Levante la junta de la puerta y ubique el perno de ajuste que está debajo. Utilice la llave Allen de 4 mm para ajustar la holgura.

⚠ PRECAUCIÓN

Asegúrese de fijar con firmeza la junta. De lo contrario, podría filtrarse aire frío del refrigerador.

Instalación

Ajuste de la holgura entre las puertas y el cuerpo principal del refrigerador (solo para los modelos correspondientes)



Es posible ajustar la holgura entre las cuatro puertas y el cuerpo principal del refrigerador mediante el selector de ajuste. (Consulte la figura para conocer la ubicación del selector de ajuste).

1. Abra la puerta más cercana al cuerpo principal. Luego, gire el **selector de ajuste (A)** en el sentido contrario al de las agujas del reloj hasta que la holgura se nivele con las demás.

2. Luego del ajuste, gire la **tuerca de bloqueo (B)** para trabar el selector de ajuste.

NOTA

Cada vez que se gira el **selector de ajuste**, la holgura se ajusta 1 mm. Sin embargo, es posible que la puerta no cierre bien si se ajusta más de 1.5 mm.

PASO 6 Conectar la tubería de agua

Debe conectar una tubería de agua desde el suministro principal hasta su refrigerador para usar el dispensador de agua o la fábrica de hielo automática. Se proporciona un filtro de agua para eliminar partículas no deseadas del suministro principal, pero no esteriliza ni elimina los microorganismos en el agua, y es posible que deba comprar un sistema de purificación para ese propósito.

Presión del agua

La presión del agua suministrada al refrigerador debe cumplir los siguientes requisitos:

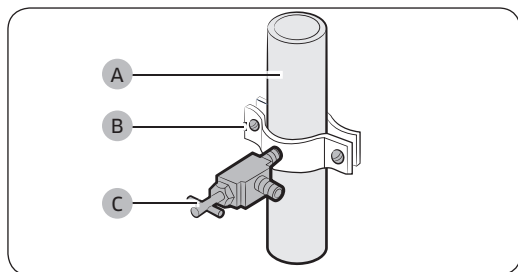
Mínimo	Máximo
30 psi (206 kPa)	125 psi (861 kPa)

Si el refrigerador se instala en una zona donde no se puede cumplir con la presión de agua mínima, puede instalar una bomba cebadora para compensar la baja presión.

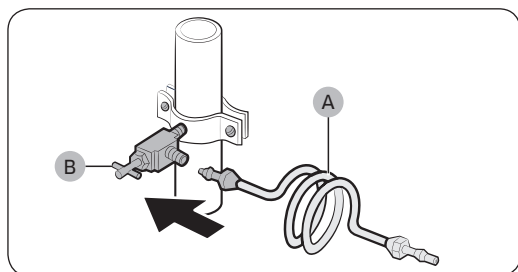
Conecte la tubería de agua al suministro de agua principal.

NOTA

- Conecte la tubería únicamente a un suministro de agua potable.
- Su distribuidor podrá ofrecerle los equipos de instalación de tuberías de agua disponibles a un costo adicional. Recomendamos utilizar un equipo de instalación de tubería de agua que contenga tubería de cobre y una tuerca de compresión de 1/4" (6 mm).



1. Cierre el suministro de agua principal.
2. Inserte la abrazadera (B) y la válvula de cierre (C) en la tubería de agua fría (A).



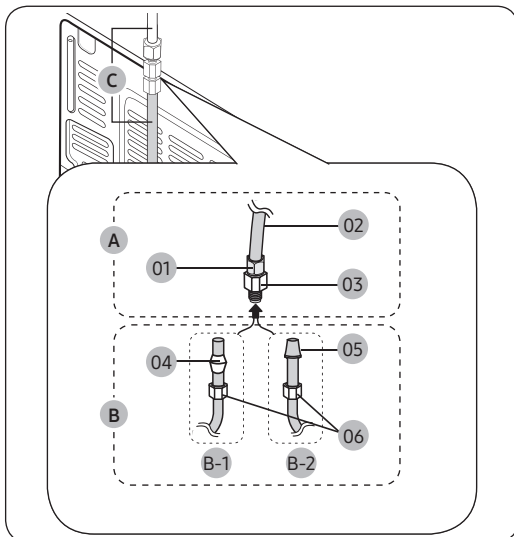
3. Conecte el equipo de instalación de la tubería de agua (A) a la válvula de cierre (B).

Instalación

Conecte la tubería de suministro de agua al refrigerador

Para llevar a cabo la conexión, necesita adquirir varios elementos. Posiblemente su ferretería local los venda todos juntos en un equipo.

Tubería de cobre	<ul style="list-style-type: none"> • Tubería de cobre de 1/4" • Tuerca de compresión de 1/4" (1 pc) • Férula (2)
Tubería de plástico	<ul style="list-style-type: none"> • Tubería de plástico de 1/4" con extremo moldeado (bulbo) • Tuerca de compresión de 1/4" (1 pc)



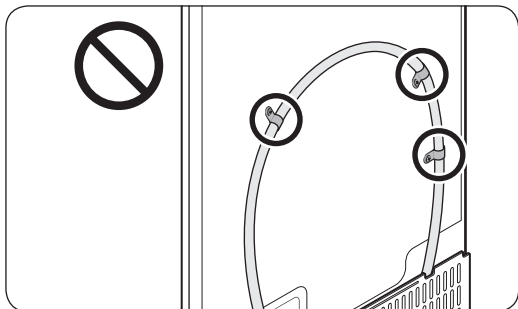
A	La tubería de agua del refrigerador	
	01	Tuerca de compresión (1/4") (armada)
	02	Tubería de plástico (armada)
	03	Acople de compresión (armado)
B	La tubería de agua desde el suministro principal	
	NOTA La tubería de agua desde el suministro principal puede ser de cobre (B-1) o de plástico (B-2).	
	B-1	Tubería de cobre (no provista)
	B-2	Tubería de plástico (no provista)
	04	Férula (No provista)
	05	Extremo moldeado (bulbo)
	06	Tuerca de compresión (1/4") (no provista)
C	Tubería de agua	
	NOTA El ensamblaje de las tuberías de agua debe mantenerse recto.	

1. Conecte la tubería de agua desde el suministro principal (B) al acople de compresión (03) armado.
 - Si utiliza una tubería de cobre (B-1), deslice la tuerca de compresión (06) (no provista) y la férula (04) (no provista) por la tubería de cobre (B-1) (no provista) como se muestra en la imagen.
 - Si utiliza una tubería de plástico (B-2), inserte el extremo moldeado (bulbo) (05) de la tubería de plástico (B-2) (no provista) en el acople de compresión (03).

⚠ PRECAUCIÓN

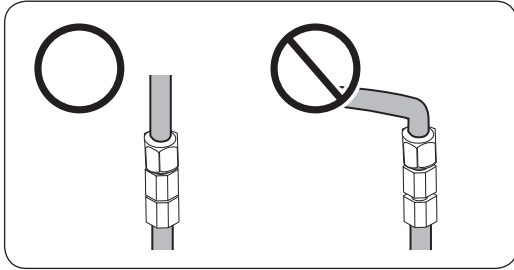
- Si utiliza una tubería de plástico (B-2), no la use sin el extremo moldeado (bulbo) (05).
 - Dejar la tubería de agua desconectada puede causar que, con el tiempo, la válvula de agua emita un zumbido. En este caso, asegúrese de desactivar la fábrica de hielo y no intente usar el dispensador de agua.
2. Ajuste la tuerca de compresión (06) sobre el acople de compresión (03). No ajuste demasiado la tuerca de compresión (06).
 3. Abra el agua y verifique si hay alguna fuga. Si encuentra gotas o fugas de agua en las zonas de las conexiones, cierre el suministro de agua principal. Revise las conexiones y, de ser necesario, ajústelas.
 - Revise si el dispensador de agua funciona de manera adecuada. Presione la palanca del dispensador hasta que salga el agua.
 4. Haga correr 3 galones de agua a través del filtro antes de beber o utilizar el agua del refrigerador. (El agua debe correr unos 5 a 6 minutos). Para hacer correr el agua, presione la palanca del dispensador de agua con un vaso o una taza grandes. Llene el vaso, vacíelo y luego repita la operación.
 5. Tras poner en funcionamiento el refrigerador, deje que la fábrica de hielo haga hielo durante 1 o 2 días. Pasado este tiempo, deseche las primeras 1 o 2 cubetas de hielo que hace la fábrica de hielo para asegurarse de que se hayan eliminado todas las impurezas de la tubería de agua.

⚠ PRECAUCIÓN



- No instale el filtro de agua ni la tubería de agua en ninguna parte del refrigerador. Esto podría dañar el refrigerador.

Instalación



- Si debe reubicar el refrigerador después de conectar la tubería de agua, asegúrese de que la sección de la unión de la tubería se mantenga recta.

NOTA

- Si debe reparar o desensamblar la tubería de agua, recorte $\frac{1}{4}$ " de la tubería de plástico para asegurarse de que la conexión sea perfecta y libre de pérdidas.
- Puede probar rápidamente la tubería del agua con un vaso de papel. En condiciones normales, el dispensador de agua puede llenar un vaso de $5\frac{3}{4}$ oz. (170 cc) en aproximadamente 10 segundos.

PASO 7 Configuración inicial

Al completar los siguientes pasos, el refrigerador quedará en perfectas condiciones de funcionamiento.

1. Enchufe el cable de alimentación al tomacorriente para encender el refrigerador.
2. Abra la puerta y verifique que la luz interna se encienda.
3. Coloque la temperatura en el valor más frío y espere una hora. Luego, el congelador comenzará a enfriarse y el motor funcionará adecuadamente.
4. Espere a que el refrigerador llegue a la temperatura configurada. Ahora el refrigerador estará listo para usar.

PASO 8 Verificación final

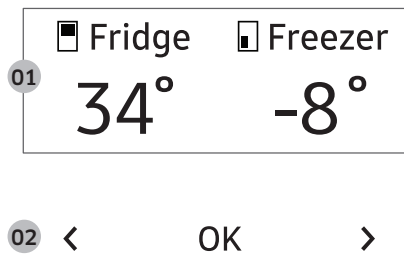
Una vez finalizada la instalación, confirme que:

- El refrigerador esté enchufado al tomacorriente y correctamente conectado a tierra.
- El refrigerador esté instalado sobre una superficie plana y nivelada con un espacio libre razonable con respecto a paredes y gabinetes.
- El refrigerador esté nivelado y apoyado firmemente en el piso.
- La puerta se abre y cierra libremente y la luz interior se enciende automáticamente al abrir la puerta.

Funcionamiento

Panel principal

Tipo general



01 Visor	Muestra el menú, los ajustes y otra información.
02 Botones	<ul style="list-style-type: none">• Cuando se apague el visor, presione cualquier botón para encenderlo.• Presione < o > para navegar hacia la izquierda y la derecha.• Presione OK para confirmar su selección.• Mantenga presionado OK para entrar al modo PA. (Para obtener más información, consulte la sección “SmartThings > Cómo comenzar” en la página 54).

NOTA

- Si la puerta queda abierta durante 5 minutos, la luz interior parpadea durante 5 minutos y se apaga. Esto sirve para alertar a los usuarios sordos y con problemas de audición que hay una puerta abierta. Tenga en cuenta que esta función es normal.
- Cuando cambia la temperatura en el panel, se muestra la temperatura actual dentro del refrigerador hasta que se alcanza la temperatura configurada. Luego el panel muestra la nueva temperatura configurada. Tenga en cuenta que el refrigerador necesita un tiempo para alcanzar la nueva temperatura. Es normal. Durante este tiempo, no es necesario volver a configurar la temperatura.




Uso del panel de principal

1. Presione cualquier botón (<, **OK** o >) para encender el visor.
2. Presione < o > para seleccionar el menú deseado y, luego, presione **OK** para confirmar.
3. Presione < o > para seleccionar el ajuste deseado y, luego, presione **OK** para confirmar.
 - Para obtener más información acerca de los ajustes disponibles, consulte la sección **Descripciones de menús**.

Descripciones de menús

Fridge (Refrigerador)	<ul style="list-style-type: none"> • Puede ajustar la temperatura del refrigerador entre 34 y 44 °F (1 y 7 °C) o configurar la función Refrigeración rápida. • Refrigeración rápida acelera el proceso de enfriamiento con la velocidad máxima del ventilador. El refrigerador funciona a máxima velocidad durante dos horas y media antes de volver a la temperatura previa.
Freezer (Congelador)	<ul style="list-style-type: none"> • Puede ajustar la temperatura del congelador entre -8 y 5 °F (-23 y -15 °C) o configurar la función Congelación rápida. • Congelación rápida acelera el proceso de congelación con la velocidad máxima del ventilador. El congelador funciona a máxima velocidad durante 50 horas antes de volver a la temperatura previa. Para congelar una gran cantidad de alimentos, active Congelación rápida como mínimo 20 horas antes de poner alimentos en el congelador.
FlexZone	<ul style="list-style-type: none"> • Puede configurar el modo FlexZone desde uno de los siguientes modos. <ul style="list-style-type: none"> - Freeze (Congelación): La temperatura se fija a la misma temperatura que el congelador. - Soft Freeze (Congelación suave): La temperatura se fija en 23 °F (-5 °C). - Meat/Fish (Carne/Pescado): La temperatura se fija en 30 °F (-1 °C). - Fruit/Veggies (Frutas/Vegetales): La temperatura se fija en 36 °F (2 °C). - Beverage (Bebidas): La temperatura se fija en 41 °F (5 °C). <p>⚠ PRECAUCIÓN</p> <ul style="list-style-type: none"> • Seleccione el modo FlexZone según el tipo de alimentos que almacene allí. • No almacene carnes ni alimentos en el FlexZone con el modo Frutas/Vegetales o Vino. La carne u otros alimentos podrían echarse a perder. • No almacene botellas de vidrio en el FlexZone en el modo Congelación o Congelación suave. Pueden romperse y causar lesiones físicas.

Funcionamiento

<p>Beverage Zone (Zona de bebidas) *</p>	<ul style="list-style-type: none"> • Puede configurar el modo Zona de bebidas desde uno de los siguientes modos. <ul style="list-style-type: none"> - Beverage (Bebidas): La temperatura se fija a la misma temperatura que el refrigerador. - Wine/Dessert (Vinos/Postres): La temperatura se ajusta entre 4 y 5 °C más que la del refrigerador, lo que es ideal para conservar postres, vinos, mantequilla y mermeladas. <p> PRECAUCIÓN</p> <ul style="list-style-type: none"> • Almacenar alimentos en el modo Vinos/Postres puede generar un período de almacenamiento más corto porque la temperatura es más alta que en el refrigerador. Por tanto, si el alimento no se va a consumir dentro de unos días o es sensible a los cambios de temperatura, se lo debe guardar en el refrigerador. • Guarde los postres, mantequilla, mermeladas, etc. abiertos o sobrantes en el modo Bebidas o en el refrigerador. <p> NOTA</p> <ul style="list-style-type: none"> • Zona de bebidas sirve para almacenar bebidas, vinos y postres que planea consumir de inmediato. • La cantidad de aperturas de la puerta, la cantidad de alimentos almacenados y el ajuste de temperatura pueden afectar el tiempo de almacenamiento.
<p>AutoFill Pitcher (Llenado automático de la jarra) *</p>	<ul style="list-style-type: none"> • Puede configurar el modo Llenado automático de la jarra desde uno de los siguientes modos. <ul style="list-style-type: none"> - On (Activado): Configure para llenar su jarra de agua automáticamente. - Off (Desactivado): Configure para desactivar la función. <p> NOTA</p> <p>Puede poner té o frutas en el infusor para preparar té o agua para infusiones. Si desea mantener el agua de la infusión en su concentración inicial, desactive la función Llenado automático de la jarra. (Para obtener más información, consulte la sección Jarra de agua (Llenado automático de la jarra) (solo para los modelos correspondientes) en la página 64).</p>
<p>Cubed Ice (Hielo en cubos) *</p>	<p>Puede iniciar o detener la fabricación de hielo en cubos.</p>
<p>Ice Bites (Trozos de hielo) *</p>	<p>Puede iniciar o detener la fabricación de trozos de hielo.</p>

Whiskey Ball Ice (Hielo cóctel) *

- Puede iniciar o detener la fabricación de esferas de hielo. La fábrica de hielo puede producir de 3 a 9 esferas de hielo cada 24 horas y usted puede seleccionar entre las siguientes opciones.
 - **3 spheres (3 esferas), 6 spheres (6 esferas), 9 spheres (9 esferas)*, Off (Desactivado)**
 - La configuración predeterminada es 6 esferas.
 - El hielo será más transparente si se elige la cantidad más pequeña.
- La fábrica deja de producir hielo cuando detecta que la cubeta está llena (por lo general entre 12 y 15 esferas de hielo, según cómo estén apiladas dentro de la cubeta).
 - Para hacer hielo nuevo, quite las esferas para hacer un poco de espacio en la cubeta.
- La fábrica podría dejar de producir hielo según la forma en que se apilen las esferas de hielo en la cubeta. Coloque las esferas de hielo si se apilan demasiadas en un lado de la cubeta.
- Es posible que la fábrica de hielo no produzca hielo en forma de esfera perfecta o que se vean burbujas de aire en el hielo después de que se acaba de instalar el congelador, si se reemplazó el filtro o si se fue la energía durante un tiempo determinado por un corte de electricidad.
 - Si quiere eliminar las burbujas del hielo, vacíe la jarra Llenado automático de la jarra 6 veces (unos 12 litros).

PRECAUCIÓN

- Asegúrese de colocar la bandeja para hielo cóctel en la dirección correcta. (Para obtener más información, consulte la sección **Fábrica de hielo automática** en la página 69).
 - Si retira la bandeja para hielo cóctel de la cubeta o si la coloca de manera incorrecta, la fábrica de hielo podría dejar de fabricar hielo cóctel.

Funcionamiento

Settings (Ajustes)	<p>Puede cambiar la configuración de las siguientes funciones. Presione < o > para seleccionar el menú y, luego, presione OK para confirmar.</p> <p>UV Deodorizing Filter (Filtro desodorizante UV) *: Puede activar o desactivar el Filtro desodorizante UV.</p> <p>Auto Open Door (Apertura automática de la puerta) *: Puede activar o desactivar la función Apertura automática de la puerta. (Para obtener más información, consulte Función de apertura automática de la puerta (solo para los modelos correspondientes) en la página 61).</p> <p>Water Filter Reset (Restablecer filtro de agua) *: Cuando aparezca el mensaje de reemplazo del filtro en la pantalla, seleccione este menú y reemplace el filtro de acuerdo con las instrucciones en pantalla.</p> <p>Temp. Unit (Unidad de temperatura): Puede seleccionar la escala de temperatura Celsius o Fahrenheit.</p> <p>Peak Demand (Pico de demanda) *: Puede activar o desactivar la función Pico de demanda. (Para obtener más información sobre la función Pico de demanda, consulte la sección Función SMART GRID (respuesta a la demanda) en la página 56).</p> <p>Welcome Lighting (Luz de bienvenida): Puede encender o apagar la Welcome Lighting (Luz de bienvenida) (Para obtener más información, consulte la sección Luz de bienvenida (solo para los modelos correspondientes) en la página 60).</p> <p>Sounds (Sonidos): Puede activar y desactivar el sonido de los botones (y la función Apertura automática de la puerta *).</p> <p>Door Alarm (Alarma de la puerta): Puede activar y desactivar la alarma de la puerta.</p> <p>Wi-Fi: Puede activar y desactivar la conexión Wi-Fi. Actívela para controlar y supervisar su refrigerador mediante la aplicación SmartThings. (Para obtener más información sobre SmartThings, consulte la sección SmartThings en la página 53).</p>
--------------------	---

* solo para los modelos correspondientes

NOTA

Utilizar las funciones Refrigeración rápida o Congelación rápida aumenta el consumo energético.

Activar o desactivar el modo Shabat

El modo Shabat permanece activo por 85 horas una vez activado. Luego, se desactiva automáticamente.

- Para activar o desactivar el modo Shabat, mantenga presionados **OK** y **>** simultáneamente durante 6 segundos. Luego, presione **>**.
 - Cuando el refrigerador está en modo Shabat, los botones, el visor y las luces internas no funcionan. Sin embargo, el refrigerador y el congelador siguen enfriando.

NOTA

Si el refrigerador se apaga y se reinicia (por ejemplo, cuando hay un corte de energía), el modo Shabat permanece activo. Para finalizar el modo Shabat, debe desactivarlo como se indicó más arriba.

Activar o desactivar el modo Enfriamiento desactivado

El modo Enfriamiento desactivado (también llamado modo Tienda) está diseñado para cuando los distribuidores exhiben los refrigeradores en un comercio. En el modo Enfriamiento desactivado, el motor del ventilador del refrigerador y las luces funcionan con normalidad, pero los compresores no; por lo tanto, el refrigerador y el congelador no se enfrían.

- Para activar o desactivar el modo Enfriamiento desactivado, mantenga presionados **<** y **>** simultáneamente durante 6 segundos. Luego, presione **OK**.
 - Cuando el modo Enfriamiento desactivado está activo, el refrigerador emite un sonido de alarma y muestra el mensaje “**Cooling Off mode turned on (Activación de modo de enfriamiento desactivado)**”.

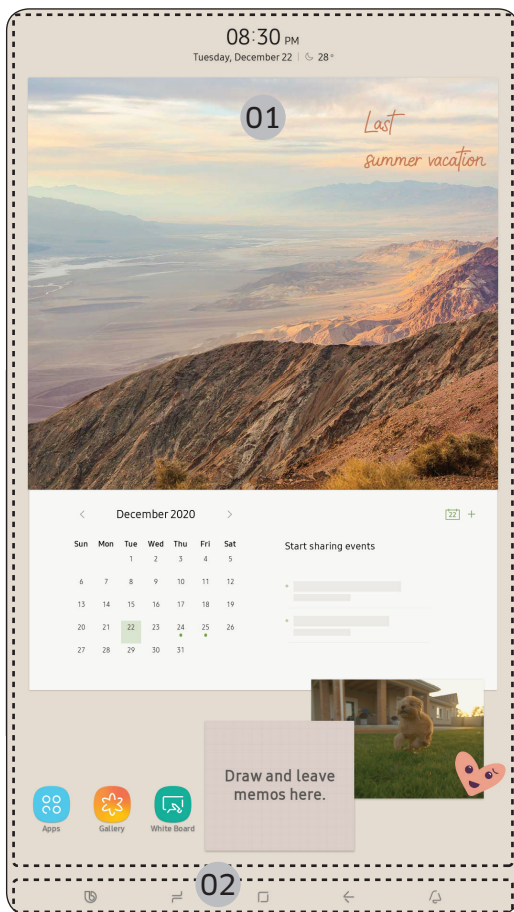
Funcionamiento

Tipo Family Hub

Pantalla de inicio

NOTA

- Para obtener más información acerca de otros menús y aplicaciones disponibles en la aplicación del refrigerador, consulte el manual en línea del refrigerador.
- El contenido de aplicaciones y widgets, y su diseño, está sujeto a cambios y el soporte puede interrumpirse sin previo aviso, según la política del proveedor de contenidos.
- Los adultos deben supervisar el uso de funciones, aplicaciones y servicios del refrigerador por parte de los niños.
- Los adultos deben supervisar las transacciones con algunos servicios por parte de menores de edad.



01 Pantalla de inicio

02 Botones programables

01 Pantalla de inicio

- Toque la aplicación o el widget deseado para iniciarlo.
- En la pantalla de inicio, puede agregar o quitar elementos como aplicaciones, widgets, imágenes, videos, dibujos y textos.
- Mantenga pulsado un elemento para ingresar al modo de edición. En este modo, puede arrastrar y soltar un elemento en una nueva ubicación de la pantalla de inicio. Al desplazar el elemento a una nueva ubicación, se pone rojo si la ubicación no está disponible.

02 Botones programables



01 Bixby

- Toque para usar Bixby.

02 Administrador de tareas

- Toque para abrir el Administrador de tareas.

03 Inicio

- Toque para abrir la pantalla de Inicio.

04 Volver

- Toque para volver a la pantalla anterior.

05 Notificación

- Toque para mostrar el Panel rápido.

06 Ocultar/Mostrar

- Toque para ocultar o mostrar los botones programables.
- El botón Ocultar/Mostrar solo aparece cuando una aplicación está activa.

Funcionamiento

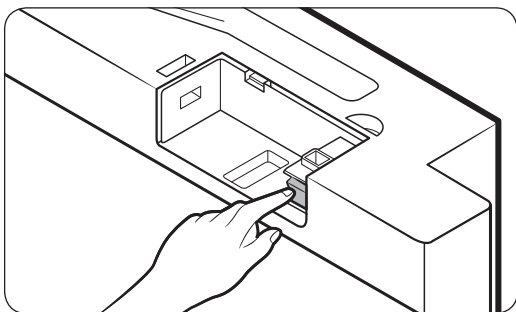
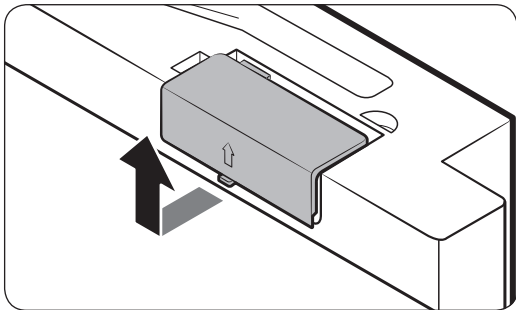
Administrador del refrigerador

En la pantalla de inicio, toque la aplicación **Fridge Manager (Administrador del refrigerador)**.

- Puede configurar la temperatura o los modos deseados para cada compartimiento.
- Consulte el manual en línea para obtener más información sobre la aplicación Administrador del refrigerador.
- Para acceder al manual en línea de su refrigerador Family Hub, toque **Setting (Ajuste) > Help & Contact Us (Ayuda & Contáctenos) > Online Manual (Manual en línea)**.

Restablecimiento del visor (solo para los modelos correspondientes)

Si encuentra algún síntoma anormal en el visor, intente restablecerlo. Esto podría resolver el síntoma.



1. Abra la puerta del refrigerador y localice la cubierta del interruptor en la esquina superior derecha de la puerta.
2. Empuje hacia arriba la cubierta para revelar el interruptor de encendido.
3. Apague la alimentación y vuelva a encenderla.
4. Vuelva a colocar completamente la cubierta del interruptor hasta oír un clic.

SmartThings

Instalación

Visite Google Play Store, Galaxy Apps o Apple App Store y busque "SmartThings". Descargue e instale la aplicación SmartThings provista por Samsung Electronics en su dispositivo inteligente.

NOTA

- La versión de software de soporte de la aplicación SmartThings está sujeta a cambios de acuerdo con la política de soporte del sistema operativo que proporciona el fabricante. Además, en cuanto a la aplicación SmartThings o las funciones que admite la aplicación, la nueva política de actualización de la aplicación en la versión del sistema operativo existente puede suspenderse por razones de seguridad o de usabilidad.
- La aplicación SmartThings está sujeta a cambios sin previo aviso para mejorar la usabilidad o el rendimiento. Como la versión del sistema operativo del teléfono móvil se actualiza cada año, SmartThings también se actualiza de manera continua de acuerdo con el último sistema operativo. Si tiene preguntas sobre los puntos mencionados anteriormente, contáctenos a través de st.service@samsung.com
- Los sistemas de encriptación recomendados incluyen WPA/TKIP y WPA2/AES. No se admiten protocolos de autenticación Wi-Fi más nuevos o no estandarizados.
- Las redes inalámbricas pueden verse afectadas por los entornos de comunicación inalámbrica circundantes.
- Si su proveedor de servicios de Internet ha registrado la dirección MAC de su computadora o módem para identificación, es posible que su refrigerador inteligente Samsung no pueda conectarse a Internet. Si esto ocurre, comuníquese con su proveedor de servicios de Internet para recibir asistencia técnica.
- La configuración de firewall de su sistema de red puede impedir que su refrigerador inteligente Samsung acceda a Internet. Comuníquese con su proveedor de servicios de Internet para recibir asistencia técnica. Si el síntoma persiste, comuníquese con un centro de servicios Samsung local o el minorista.
- Para configurar el punto de acceso (PA) inalámbrico, consulte el manual de usuario del PA.
- Los refrigeradores inteligentes Samsung son compatibles con Wi-Fi 2.4 GHz con los protocolos IEEE 802.11 b/g/n y Soft-AP (se recomienda IEEE 802.11 n).
- Los enrutadores Wi-Fi no autorizados pueden no conectarse con los refrigeradores inteligentes Samsung correspondientes.

Funcionamiento

Cuenta Samsung

Debe registrar su cuenta Samsung para utilizar la aplicación. Si no tiene una cuenta Samsung, siga las instrucciones en pantalla de la aplicación para crear una cuenta Samsung gratuita.

Cómo comenzar

Encienda el dispositivo que desea conectar, abra la aplicación SmartThings en su teléfono y siga las instrucciones que figuran a continuación.

Si aparece un mensaje emergente que indica que se encontró un nuevo dispositivo, toque **ADD NOW (AGREGAR AHORA)**.

Si no aparece el mensaje, toque el botón **+** y, en la lista de dispositivos disponibles, seleccione el dispositivo que desea conectar.

Si su dispositivo no se encuentra en la lista de dispositivos disponibles, toque **Supported Devices (Dispositivos admitidos)**, seleccione el tipo de dispositivo (Refrigerador) y luego el modelo del dispositivo específico.

Siga las instrucciones de la aplicación para configurar el dispositivo. Una vez completada la configuración, el refrigerador aparecerá como una "ficha" en la pantalla **Devices (Dispositivos)**.

Control integrado

Puede supervisar y controlar su refrigerador en su casa y desde cualquier otro lugar.

- Toque el icono del refrigerador en el panel de SmartThings o toque el icono de Dispositivos en la parte inferior del panel, y luego toque la "ficha" del refrigerador para abrir la página correspondiente.
- Controle el estado de operación o las notificaciones de su refrigerador y luego modifique las opciones o parámetros si fuera necesario.



NOTA

Algunas opciones o ajustes del refrigerador pueden no estar disponibles para el control remoto.

Categoría	Elemento	Descripción
Supervisión y control	Temperatura del Refrigerador	Puede configurar y controlar la temperatura deseada del refrigerador.
	Temperatura del Congelador	Puede configurar y controlar la temperatura deseada del congelador.
	Refrigeración rápida	Puede activar o desactivar Refrigeración rápida y ver la configuración actual.
	Congelación rápida	Puede activar o desactivar Congelación rápida y ver la configuración actual.
	FlexZone	Puede configurar y controlar el modo deseado de FlexZone.
	Hielo en cubos * Trozos de hielo * Hielo cóctel *	Puede activar o desactivar la función de fabricación de hielo y ver la configuración actual.
	Llenado automático de la jarra *	Puede activar o desactivar la función Llenado automático de la jarra y ver la configuración actual.
Alarmas	Temperatura anormalmente elevada	Esta alarma se activa cuando la temperatura del refrigerador, el congelador o FlexZone es demasiado elevada.
	Puerta abierta	Esta alarma se activa si la puerta del refrigerador, el cajón del congelador o el cajón de FlexZone quedan abiertos durante un período específico.
	Desbordamiento de Llenado automático de la jarra *	Si la función Llenado automático de la jarra detecta un desbordamiento, se dispara esta alarma para avisar sobre dicho estado.
	Reemplazo del filtro de agua *	Esta alarma le recuerda que es necesario reemplazar el filtro de agua.
Imagen interior *	Puede ver el interior del refrigerador y verificar si debe reponer alimentos.	

* solo para los modelos correspondientes

Funcionamiento

Recomendaciones relativas al reconocimiento de voz

(Solo aplica al tipo Family Hub)

Para la función de reconocimiento de voz, en la parte superior del visor del refrigerador hay un micrófono incorporado. Para usar la función de reconocimiento de voz:

- Desde una distancia no superior a 3 pies (1 metro) del refrigerador, hable fuerte y claro hacia el micrófono incorporado.
- Hable a un ritmo regular. Reduzca los ruidos ambientales, como los provenientes del televisor de la sala de estar.

NOTA

El reconocimiento de voz puede no funcionar si usted se encuentra a una distancia superior a 3 pies (1 metro) o si habla demasiado bajo.

Función SMART GRID (respuesta a la demanda)

(solo para los modelos correspondientes)

Cuando el refrigerador opera en modo SMART GRID (Respuesta a la demanda), la función de Gestión de energía permite controlar el consumo de energía o demorar algunas funciones para ahorrar dinero cuando el costo de la energía o la demanda son más elevados.

Además, para usar la función Smart Grid (respuesta a la demanda), debe registrar el servicio en su compañía de electricidad. La compañía debe tener un EMS (sistema de gestión de energía) compatible con SEP (perfil de energía inteligente).

NOTA

- Se puede desactivar la función SMART GRID (respuesta a la demanda) en cualquier momento utilizando la función Pico de demanda desactivado.
- Puede monitorear su consumo de energía o activar y desactivar funciones relacionadas con la energía usando la aplicación SmartThings. Debe instalar la aplicación SmartThings en su dispositivo móvil y conectar el refrigerador al Wi-Fi para usar esta función.

Uso de la función SMART GRID (respuesta a la demanda)

Esta función controla los precios de la energía y la información de la demanda desde la compañía de servicio eléctrico y envía notificaciones al refrigerador para que ejecute tareas de alto consumo energético fuera de las horas pico cuando el costo y la demanda de la electricidad son menores.

Si el refrigerador recibe una señal SMART GRID (respuesta a la demanda) (**DAL** o **TALR**), funcionará en el modo Delay Appliance Load (**DAL**) (Demora en la carga del aparato) o Temporary Appliance Load Reduction (**TALR**) (Reducción temporal de la carga del aparato).

Demora en la carga del aparato

el refrigerador responde a una señal **DAL** proporcionando una reducción de carga moderada durante el periodo de demora. Esta función controla las funciones que consumen mucha energía, como el ajuste del sistema de enfriamiento, la ejecución del ciclo de descongelación y la fabricación de hielo.

- El modo **DAL** se desactiva automáticamente pasado el periodo establecido por la señal **DAL** (máx. 4.5 horas) o cuando se presiona la tecla Pico de demanda desactivado.

Reducción temporal de la carga del aparato

El refrigerador responde a una señal **TALR** reduciendo drásticamente la carga durante un corto periodo de tiempo. Esta función reduce el consumo de energía deteniendo el compresor y controlando las funciones que consumen mucha energía, como el ciclo de descongelación y la fabricación de hielo.

- El modo **TALR** se desactiva automáticamente pasado el periodo establecido (máx. 15 minutos) o cuando se presiona la tecla Pico de demanda desactivado. El modo se desactiva de inmediato y el refrigerador regresa al estado normal cuando la puerta se abre o cierra o se utiliza el dispensador.

Pico de demanda desactivado (Modo de anulación)

Cuando desee que el refrigerador ignore la señal SMART GRID (respuesta a la demanda) de la compañía de servicio eléctrico, puede activar Pico de demanda desactivado (Modo de anulación).

Si activa Pico de demanda desactivado (Modo de anulación), el refrigerador ignora la señal SMART GRID (respuesta a la demanda) y deja de estar controlado por la compañía de servicio eléctrico.

Puede activar o desactivar este modo desde el panel principal o en la aplicación SmartThings.

Activación y desactivación del pico de demanda desactivado (Modo de anulación)

Tipo general

1. Presione cualquier botón (< , **OK** o >) para encender el visor.
2. Presione < o > para seleccionar **Settings (Ajustes)** y, luego, presione **OK** para confirmar.
3. Presione < o > para seleccionar **Peak Demand (Pico de demanda)** y, luego, presione **OK** para confirmar.
4. Presione < o > para seleccionar **On (Activado)** u **Off (Desactivado)** y, luego, presione **OK** para confirmar.

Tipo Family Hub

1. Toque el icono **Fridge Manager (Administrador del refrigerador)** en la pantalla de inicio.
2. Abra el menú **Fridge Settings (Ajustes del refrigerador)** en la parte inferior de la pantalla.
3. Abra el menú **Demand Response (Respuesta a la demanda)**.
4. Active o desactive **Peak Demand Off (Pico de demanda desactivado) (Modo de anulación)**. Arrastre el botón para activar o desactivar el pico de demanda desactivado.

Funcionamiento

Funciones de gestión de energía disponibles en la aplicación SmartThings

- Monitoreo del consumo de energía (del mes pasado y actual)
 - Muestra el consumo de energía acumulado. Los datos del consumo de energía se actualizan cada 10 minutos.

NOTA

El informe del consumo de energía puede diferir de las especificaciones de consumo de energía del producto dependiendo del entorno de funcionamiento y de los alimentos almacenados.

- Monitoreo de la respuesta a la demanda
- Activación/desactivación del pico de demanda desactivado (Modo de anulación)
- Demora del descongelamiento
 - La demora del descongelamiento ahorra energía al retrasar la operación de descongelamiento en un ciclo de 24 horas hasta un tiempo especificado por el usuario. Para modificar el tiempo de retraso, use el menú de Demora del descongelamiento en la aplicación. De forma predeterminada, el tiempo de retraso se establece de la siguiente manera:

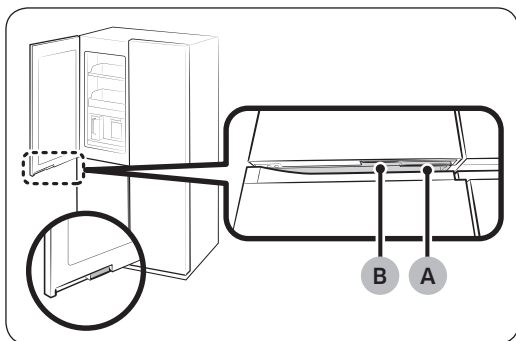
1 de noviembre al 30 de abril	6 a. m. a 10 a. m.
1 de mayo al 31 de octubre	3 p. m. a 7 p. m.

Facilitación de acceso abierto a los requisitos del producto conectado

1. SGIP Open Standards (Smart Energy Profile 2.0 <http://www.csep.org/>)
 - Informe del consumo de energía
 - Respuesta a la demanda
2. Samsung OPEN API
 - Estado de funcionamiento, ajustes del usuario y mensajes
 - Estado de la fábrica de hielo
 - Alarma de puerta abierta
 - Estado DR
 - Capacidad de demora del descongelamiento
 - Establecer la programación de la demora del descongelamiento
 - Obtener la programación de la demora del descongelamiento
 - Borrar la programación de la demora del descongelamiento
 - Activar/desactivar la demora del descongelamiento

Funciones especiales

Centro de bebidas (solo para los modelos correspondientes)

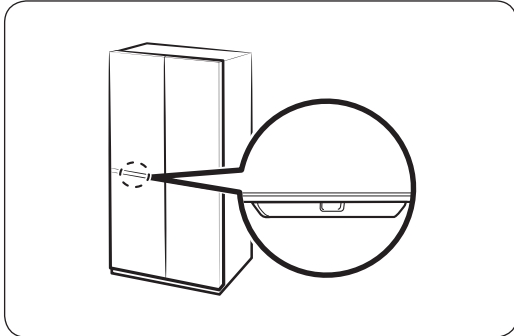


- A. Manija de la puerta del refrigerador
B. Manija del centro de bebidas

La puerta izquierda del refrigerador tiene dos manijas en la parte inferior. Para usar el Llenado automático de la jarra y beber agua fría o purificada, presione la manija (B) para abrir el centro de bebidas.

Funcionamiento

Luz de bienvenida (solo para los modelos correspondientes)



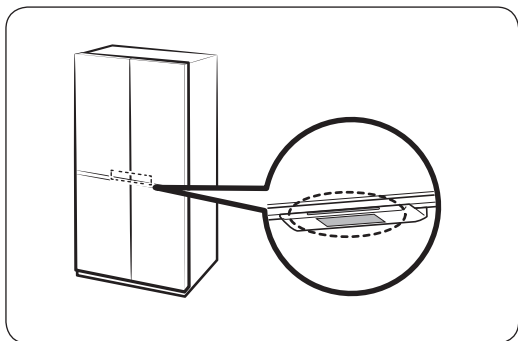
- Cuando se acerca al refrigerador, la luz se enciende automáticamente, lo que le permite ver el interior del refrigerador sin abrir las puertas.
 - Hay un sensor de detección de movimiento en la parte inferior de la puerta del refrigerador.
 - La luz del refrigerador permanece encendida 30 segundos como máximo.
- Si instaló el refrigerador por primera vez o lo volvió a instalar, debe configurar la función Luz de bienvenida en **On (Activado)** desde el panel principal o en la aplicación SmartThings para usar la función.
 - La configuración predeterminada es **Off (Desactivado)**.
- Puede modificar los ajustes de **Distance (Distancia)** y **Reaction time (Tiempo de reacción)** del sensor de la luz de bienvenida en la aplicación SmartThings.
 - El ajuste predeterminado para **Distance (Distancia)** es **Middle (Medio)** (unos 50 cm).
 - El ajuste predeterminado para **Reaction time (Tiempo de reacción)** es **Fast (Rápido)**.
 - Debe estar dentro de la distancia de detección del sensor para que funcione la Luz de bienvenida.
 - La distancia que detecta el **sensor de la luz de bienvenida** puede variar según el entorno de instalación y uso de su hogar. (Dirección de aproximación al refrigerador, material y color de las partes reconocibles como ropa, objetos, etc., movimiento por la cocina, etc.)

NOTA

- La Luz de bienvenida puede encenderse incluso cuando una persona o una mascota grande pasa por delante del refrigerador.
- Si el **sensor de la luz de bienvenida** detecta un objeto, la Luz de bienvenida puede encenderse y apagarse. Aleje cualquier objeto (como una silla) del **sensor de la luz de bienvenida**.
- El **sensor de la luz de bienvenida** puede desensibilizarse cuando se ensucia con sustancias extrañas o polvo. Limpie periódicamente el sensor con un paño limpio.
- Los objetos altamente reflectantes, como los espejos, dentro del alcance del **sensor de la luz de bienvenida** pueden hacer que la Luz de bienvenida funcione a distancia.

Función de apertura automática de la puerta (solo para los modelos correspondientes)

La función de apertura automática de puertas no se aplica a las puertas del congelador.



Toque el sensor cerca de la manija de la puerta del refrigerador. La puerta se abrirá.

- La configuración predeterminada es **Off (Desactivado)**.
- Para activar la función, consulte lo siguiente.
 - Tipo general: En el panel principal, seleccione **Settings (Ajustes) > Auto Open Door (Apertura automática de la puerta)** y seleccione **On (Activado)**.
 - Tipo Family Hub: En la aplicación Fridge Manager (Administrador del refrigerador), toque **Settings (Ajustes)**, y luego active la **Auto Open Door (Apertura automática de la puerta)**.

NOTA

- Si se tocan ambos sensores en simultáneo, la puerta del primer sensor tocado se abre y, luego, se abre la otra puerta en unos 2 segundos.
- La puerta no se cierra de manera automática. Círrrela manualmente luego del uso.
- El ángulo (grado) en el que se abren las puertas del refrigerador puede variar según el entorno de instalación, como el piso donde está instalado el refrigerador, el nivel del refrigerador y la carga de alimentos almacenados en el compartimiento de la puerta.
 - Si las puertas se abren demasiado o no se abren lo suficiente, verifique y asegúrese de que el refrigerador esté nivelado. (Para obtener más información, consulte la sección “**PASO 4 Nivelación del refrigerador**” en la página 33)

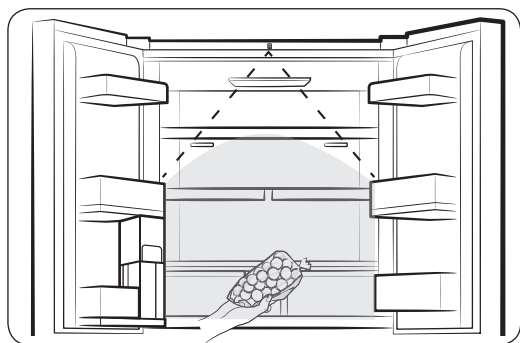
Funcionamiento

PRECAUCIÓN

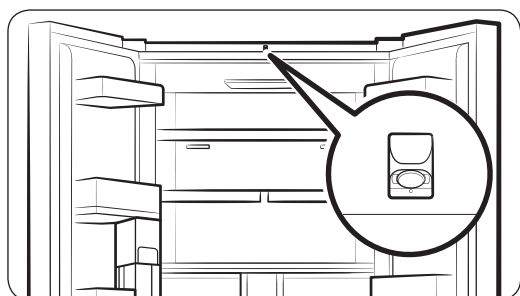
- La función de apertura automática de la puerta puede funcionar mal si se abre y se cierra la puerta repetidamente.
- No empuje la puerta ni la detenga por la fuerza cuando se está abriendo de manera automática. Puede causar un mal funcionamiento del producto.
 - Tenga cuidado de no recibir un golpe con las puertas cuando se abran automáticamente.
- Si la puerta se resiste a abrirse después de abrirla repetidamente, espere alrededor de un minuto y vuelva a intentarlo. (Puede ser difícil abrir la puerta inmediatamente después de cerrarla debido al cambio de presión de aire dentro del refrigerador que ocurre al abrir y cerrar la puerta).
- La puerta podría abrirse al tocar accidentalmente el sensor; verifique que esté cerrada.

Visión interna IA (solo para los modelos correspondientes)

- Visión interna IA no admite la gestión de alimentos para el congelador.
- Para el modelo tipo Family Hub, pulse **AI Vision Inside (Visión interna IA) > Settings (Ajustes) > AI food recognition guide (Guía de reconocimiento de alimentos IA)** para usar la guía del usuario.



- Puede gestionar la entrada y salida de alimentos del refrigerador mediante la cámara situada en la parte superior del refrigerador.
 - Para usar esta función, el refrigerador debe estar conectado a una red a través de SmartThings.
 - Debe completar la configuración inicial de la cámara para usarla.
- Comprueba los alimentos almacenados en los estantes del refrigerador y en los compartimientos de la puerta, o le avisa sobre los alimentos que se acercan a su fecha de caducidad.
- Al abrir la puerta del refrigerador, se recomienda introducir o sacar alimentos luego de escuchar la señal sonora de reconocimiento. Haga una pausa un momento o muévase lentamente dentro del alcance de la cámara.
 - Si coloca varios alimentos en el refrigerador a la vez, se registrarán como un solo alimento, así que colóquelos por separado.
 - Cuando saque un alimento, deje expuesto a la cámara el mismo lado que cuando lo ingresó, y no debe quedar cubierto más del 65%.



⚠ PRECAUCIÓN

No se acerque a la cámara. De lo contrario, se fotografiará su cuerpo.

- Si no desea usar la función Visión interna IA, apague la cámara de visión IA desde los ajustes de la aplicación Visión interna IA o cubra la cámara de visión IA con una etiqueta adhesiva.

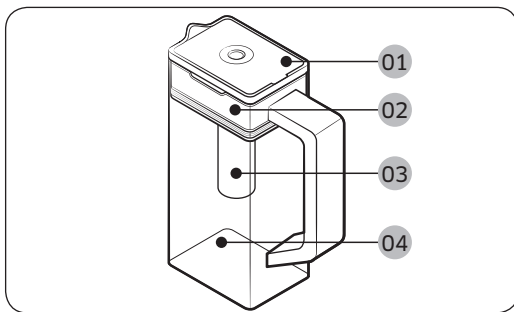
Funcionamiento

NOTA

- Si las luces del refrigerador están apagadas o el entorno está oscuro, la tasa de reconocimiento puede ser menor.
- Asegúrese de que las características de un artículo entrante, como un alimento, sean claramente visibles (que se distingan con claridad de otros artículos), lo que mejora la precisión de la coincidencia de entrada/salida.
- Los alimentos en recipientes de almacenamiento se pueden escribir en letras grandes y en negrita para ayudar con la correspondencia de entrada y salida.

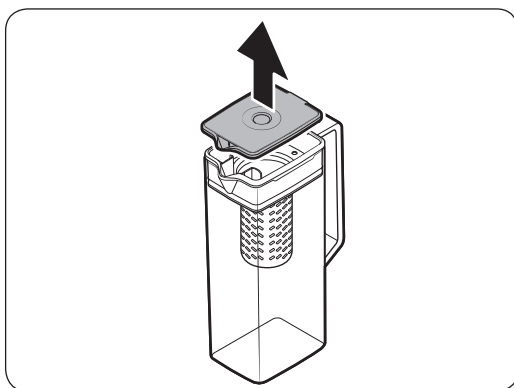
Jarra de agua (Llenado automático de la jarra) (solo para los modelos correspondientes)

Siempre hay agua fría y purificada disponible con la función Llenado automático de la jarra. Puede poner té o frutas en el infusor para disfrutar de las distintas infusiones que desee.



- 01 Tapa
- 02 Soporte del infusor
- 03 Infusor
- 04 Cuerpo

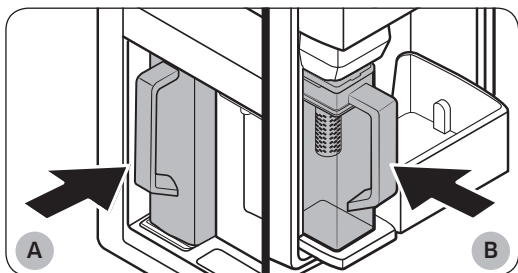
Para llenar la jarra de agua



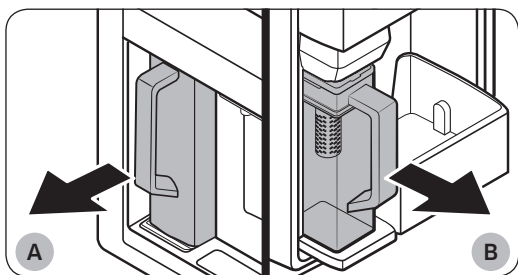
1. Sujete una de las ranuras de la manija de la **tapa** y jale hacia arriba para abrir la **tapa**.
2. Coloque hojas de té o frutas a gusto en el infusor.

NOTA

Si desea mantener el agua de la infusión en su concentración inicial, desactive la función Llenado automático de la jarra.



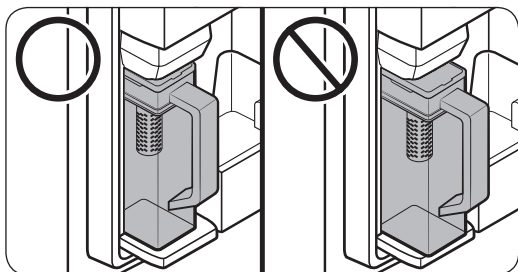
- A. Modelos tipo A
- B. Modelos tipo B



- A. Modelos tipo A
- B. Modelos tipo B

⚠ PRECAUCIÓN

- Se recomienda consumir el agua infusionada de frutos antes de que transcurran 24 horas. Después de este tiempo, el agua infusionada podría echarse a perder.
- Debe limpiar la jarra después de consumir el agua infusionada. Asimismo, limpie la jarra de agua si no la ha utilizado durante un tiempo prolongado.



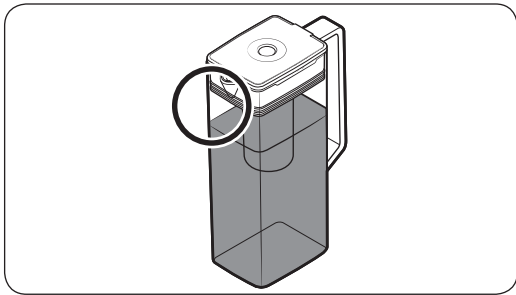
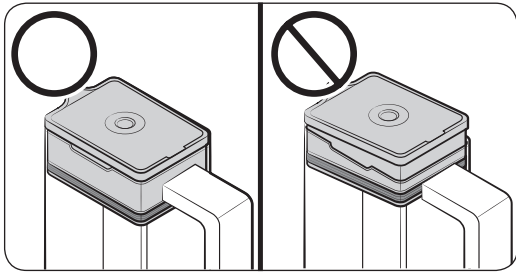
3. Active la función Llenado automático de la jarra en el panel principal. Abra la puerta del centro de bebidas (tipo A) o la puerta izquierda del refrigerador (tipo B) y, luego, inserte la jarra de agua en el soporte. Empújela en línea recta como se muestra en la figura.

⚠ PRECAUCIÓN

- Asegúrese de que la jarra de agua encaje en el soporte.
4. Cierre la puerta. La jarra comenzará a llenarse con agua fría poco después.
 5. Para beber té, abra la puerta del centro de bebidas (tipo A) o la puerta izquierda del refrigerador (tipo B) y, luego, retire la jarra de agua. Jálela hacia afuera en línea recta.

- Para evitar que la jarra se caiga o tenga fugas, asegúrese de que encaje bien en el soporte.

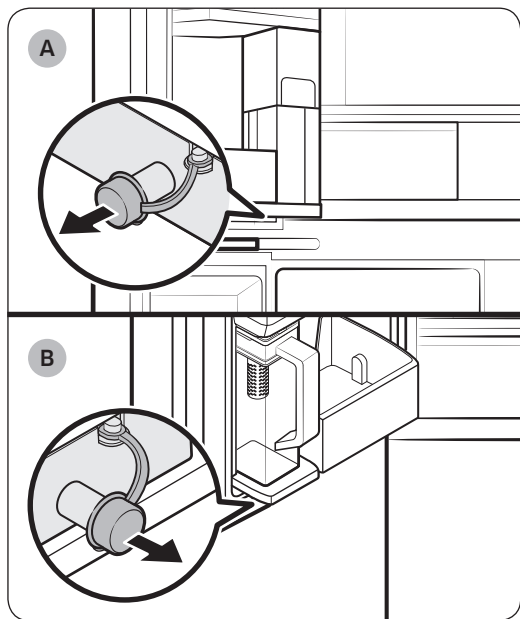
Funcionamiento



- Para evitar que la jarra se desborde o tenga fugas, asegúrese de que el soporte del infusor esté bien colocado.

NOTA

- Si la parte delantera (área marcada específicamente) de la jarra de agua tiene mucha humedad, es posible que la jarra no se llene por completo. Quite la humedad e intente nuevamente.
- La función Llenado automático de la jarra detendrá el suministro de agua a la jarra si esta no se llena después de un determinado periodo. Si esto ocurriera, verifique que la tubería de agua esté bien conectada. Retire la jarra de agua, insértela nuevamente y vuelva a intentarlo.



A. Modelos tipo A

B. Modelos tipo B

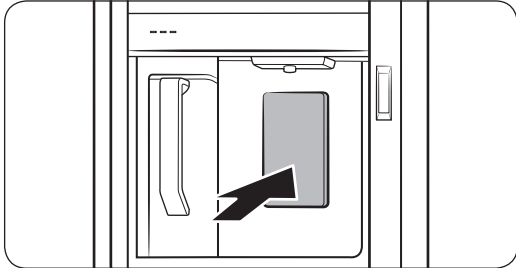
NOTA

- Debe limpiar la jarra después de consumir el agua infundada. También debe limpiar la jarra si no la ha usado por mucho tiempo o si la ha dejado llena durante más de tres días.
- Si el infusor no se limpia de forma adecuada, es posible que permanezca el aroma del té o las frutas que usó anteriormente. Si no va a utilizar el infusor, sepárelo de la jarra y guárdelo de forma segura.
- Si no ha utilizado el filtro de agua durante mucho tiempo, deseche las dos primeras jarras de agua. Luego, limpie bien la jarra y úsela.

- Limpie el soporte si la jarra de agua se desbordó o tuvo fugas.
- Si la tapa de goma está abierta, caerá agua.
- Aparece un mensaje de alerta en el panel principal si hay una fuga. En caso de fuga, abra la tapa de goma para que el agua drene. Si el mensaje de alerta no desaparece después del drenaje, es posible que haya una falla en el sistema. Comuníquese con el centro de servicio local de Samsung.

Funcionamiento

Dispensador de agua (solo para los modelos correspondientes)



Para dispensar agua fría, abra el centro de bebidas y presione la palanca del dispensador.

NOTA

- El dispensador dejará de dispensar si se mantiene la palanca presionada durante aproximadamente 1 minuto. Para dispensar más agua, libere y presione la palanca nuevamente.
- Asegúrese de que el vaso esté alineado con el dispensador para evitar que el agua se derrame.
- Si no utiliza el dispensador de agua durante 2 o 3 días, el agua dispensada puede presentar un sabor u olor extraño. No se trata de una falla del sistema. Descarte los primeros 1 o 2 vasos de agua.

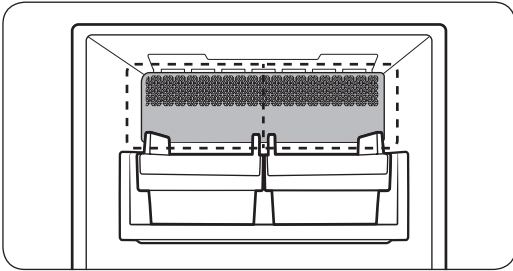
Turbidez del agua

El agua provista al refrigerador pasa por un filtro de centro alcalino. Durante el proceso de filtración, aumenta la presión del agua y esta se satura de oxígeno y nitrógeno. Esto hace que el agua parezca turbia temporalmente cuando se la sirve. Esto es normal y el agua aparecerá transparente después de unos segundos.

Fábrica de hielo automática

El refrigerador cuenta con una fábrica de hielo incorporada que dispensa hielo automáticamente.

- El diseño general y/o los accesorios pueden diferir dependiendo del modelo.



ADVERTENCIA

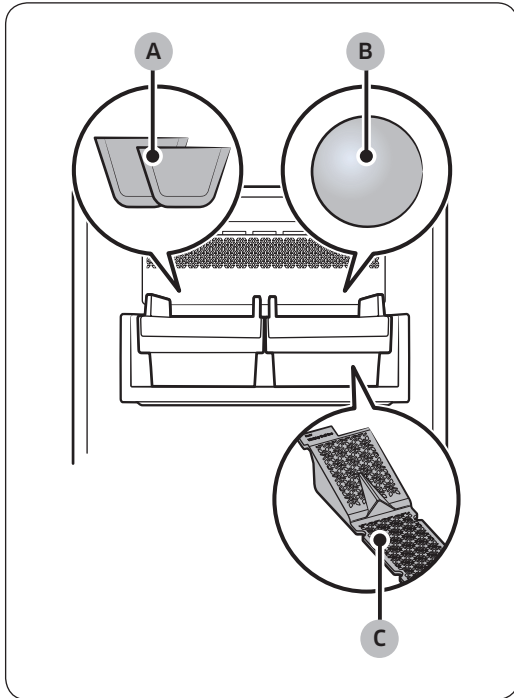
Peligro de asfixia: Los niños pequeños podrían asfixiarse con el hielo.

Para utilizarla por primera vez

- Deje que la fábrica de hielo funcione durante 1 o 2 días.
- Descarte la primera y segunda cubeta de hielo para eliminar las impurezas del sistema de suministro de agua.

Funcionamiento

Fábrica de hielo en cubos/trozos de hielo y hielo cóctel (solo para los modelos correspondientes)



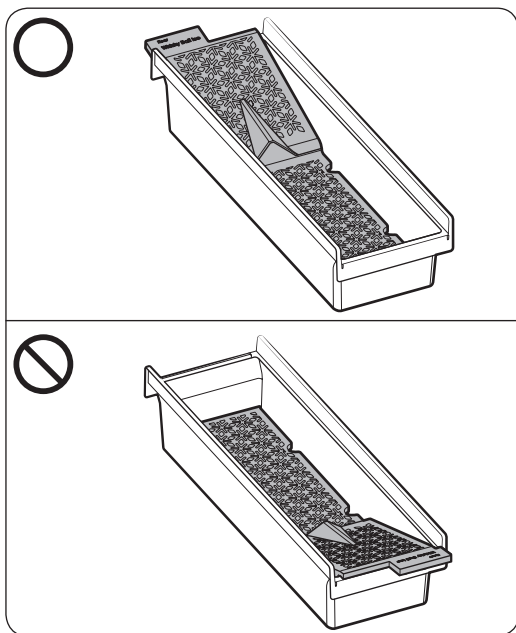
- A. Hielo en cubos * o trozos de hielo *
- B. Hielo cóctel
- C. Bandeja para hielo cóctel

PRECAUCIÓN

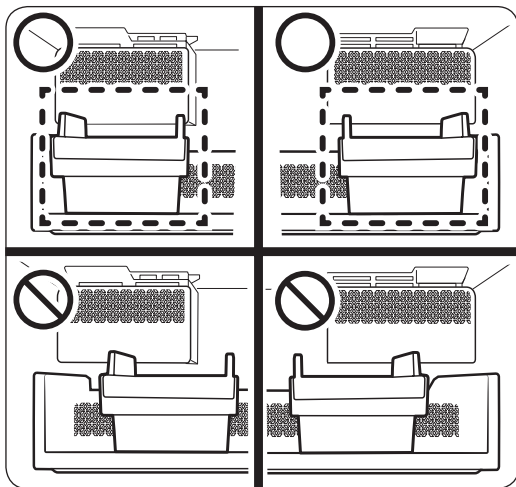
- No coloque los dedos en la fábrica de hielo.
- No ponga agua directamente en la cubeta de hielo. La cubeta podría dañarse.
- Si deja la puerta abierta durante mucho tiempo, es posible que el hielo en la cubeta se congele y se funda entre sí.
- Si el hielo de la cubeta se derrite por completo (debido a un corte de energía, etc.), vacíe la cubeta. De no hacerlo, la misma podría quebrarse cuando se congele el agua.
- Cuando la función de hielo está activada, la fábrica continuará produciendo hielo a pesar de que no haya cubeta debajo. Asegúrese de apagar estas funciones si no tiene intenciones de utilizarlas.

NOTA

- Vacíe con regularidad la cubeta de hielo.
 - El hielo recién hecho puede pegarse al viejo, y este a la cubeta de hielo.
- La forma, transparencia y tamaño del hielo puede variar según la presión del agua y otras condiciones (como temperatura ambiente, temperatura del congelador y frecuencia con la que se abre la puerta).
- Es posible que escuche un ruido cuando el hielo caiga en la cubeta.
- Cuando retire la cubeta de hielo del congelador, sosténgala con ambas manos para que no se le caiga.

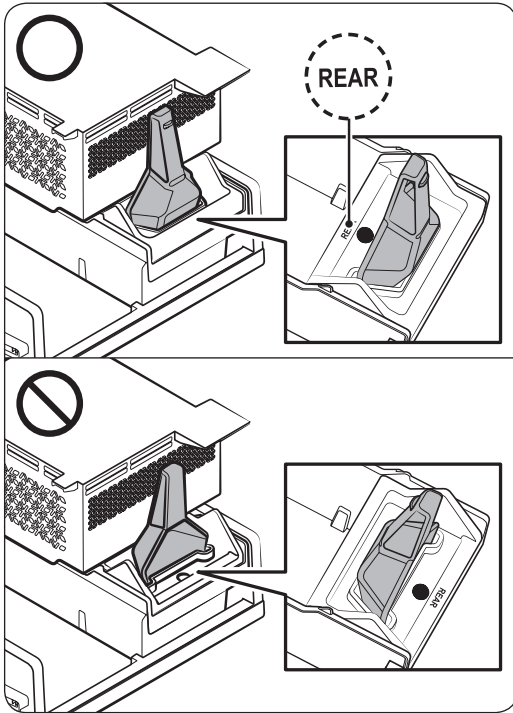


- Asegúrese de colocar la bandeja para hielo cóctel en la posición correcta, y de no confundirla con la bandeja para hielo en cubos.
 - Si retira la bandeja para hielo cóctel de la cubeta o si la coloca de manera incorrecta, la fábrica de hielo podría dejar de fabricar hielo cóctel.
 - Coloque el lado con la palabra 'Rear' (Atrás) en la bandeja y la cubeta de hielo en la misma dirección.



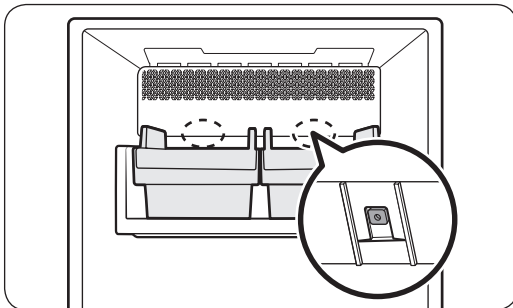
- Verifique la posición de la cubeta de hielo antes de usar cada fábrica de hielo.
 - Coloque la cubeta contra la pared directamente debajo de la fábrica de hielo. Si la cubeta no está directamente debajo de la fábrica de hielo, es posible que no produzca hielo.

Funcionamiento

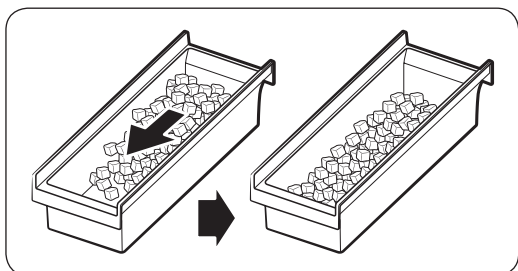


- Coloque correctamente el soporte de la pala para hielo incluido en la cubeta de la fábrica de hielo cóctel. El lado con la palabra '**REAR (ATRÁS)**' debe mirar hacia la fábrica de hielo.
- Si el soporte de la pala para hielo no está o se insertó en la dirección incorrecta, es posible que la fábrica no produzca hielo.

Diagnóstico



- El diseño general y/o los accesorios pueden diferir dependiendo del modelo.
- Si el hielo no sale, primero controle el estado de la fábrica de hielo con el botón **Test (Prueba)** en la parte inferior de la fábrica de hielo.
- Presione el botón **Test (Prueba)** en la parte inferior de la fábrica de hielo. Escuchará una señal sonora (campana) al presionar el botón. Escuchará otra señal sonora si la fábrica de hielo funciona correctamente.



- La acumulación de hielo en un lado de la charola es normal. Distribuya el hielo de la charola de manera uniforme para almacenar más hielo.

⚠ PRECAUCIÓN

- Dejar la tubería de agua desconectada puede causar que, con el tiempo, la válvula de agua emita un zumbido. Si esto ocurre, asegúrese de desactivar la función de fabricación de hielo.
- Si la señal sonora de fabricación de hielo suena repetidamente, comuníquese con el instalador de la tubería de agua o un centro de servicios local de Samsung.
- No ponga alimentos en la cubeta de hielo. Los alimentos congelados pueden dañar la fábrica de hielo, en especial al abrir o cerrar la puerta.
- Cuando el refrigerador recupera el suministro eléctrico después de un corte, la cubeta de hielo puede contener una mezcla de cubos de hielo derretidos y pegados, lo que puede evitar que la fábrica de hielo funcione adecuadamente. Para evitar que esto suceda, asegúrese de vaciar la cubeta de hielo antes de utilizar el refrigerador.
- No coloque los dedos ni otros objetos en la fábrica de hielo. Es posible que provoque lesiones o daños materiales.
- El hielo almacenado en el congelador durante mucho tiempo reduce su tamaño y forma grandes trozos de hielo debido a la sublimación. Por lo tanto, si no planea utilizar la fábrica de hielo durante un período prolongado, apáguela y vacíe la cubeta de hielo.
- Utilice solo las mangueras nuevas provistas con el electrodoméstico. No reutilice mangueras antiguas.

Mantenimiento

Manipulación y cuidado

Cubeta de hielo (solo para los modelos correspondientes)

Si no sirve hielo durante un período prolongado, el hielo puede apelmazarse en la cubeta. Si esto ocurriera, retire y vacíe la cubeta de la fábrica de hielo.

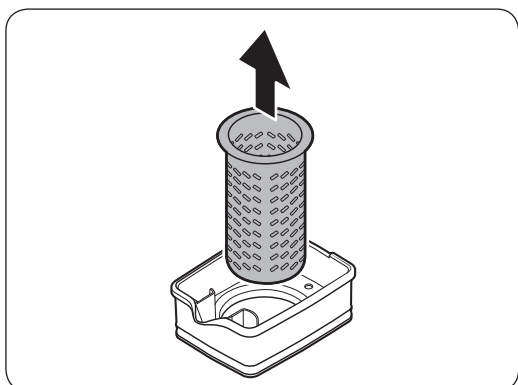
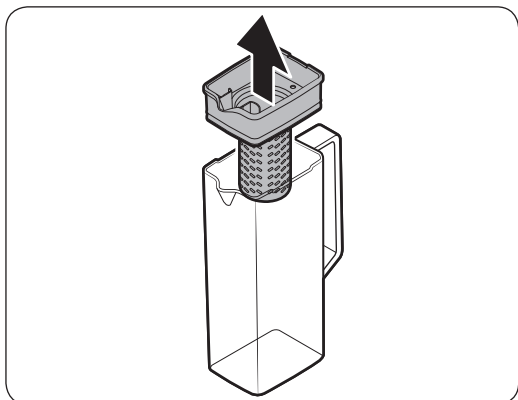
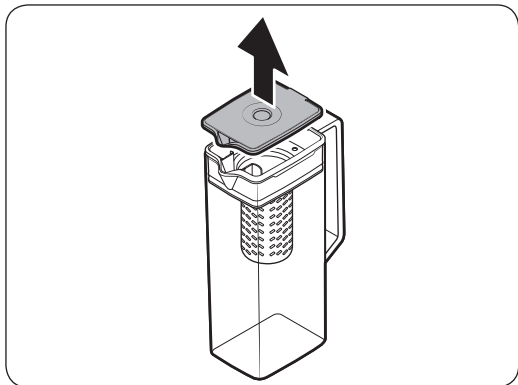
PRECAUCIÓN

- Para evitar lesiones, asegúrese de limpiar el hielo o el agua que pueda haber caído en el suelo.
- A fin de evitar lesiones o accidentes, no permita que los niños jueguen con el dispensador de agua ni la fábrica de hielo.
- Utilice únicamente la cubeta de hielo provista. Las cubetas de hielo de terceros pueden provocar una falla del sistema.

NOTA

Los ruidos de la fábrica de hielo durante el proceso de fabricación son normales.

Llenado automático de la jarra (solo para los modelos correspondientes)



1. Sujete una de las ranuras de la manija de la tapa y jale hacia arriba para retirar.
2. Sujete ambos lados del soporte del infusor y levántelo para retirarlo.
3. Quite el **infusor** de la boca sellada girándolo ligeramente.
4. Limpie el **infusor** con agentes neutros y agua corriente. Enjuague y seque bien.
5. Vuelva a ensamblar Llenado automático de la jarra en el orden inverso al del desensamble.

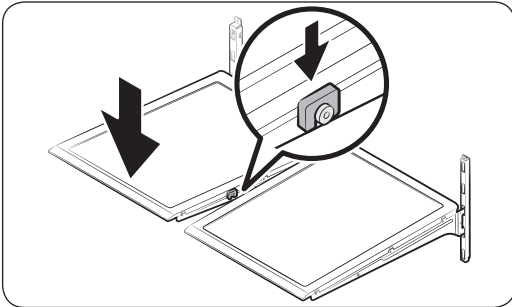
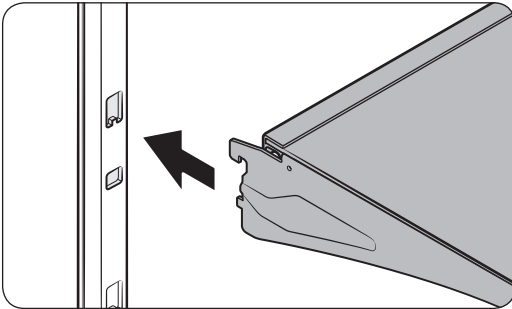
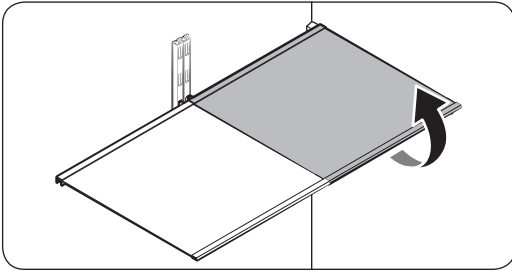
⚠ PRECAUCIÓN

La jarra de agua y la tapa no son aptas para microondas y pueden derretirse o deformarse si se exponen al calor (incluida el agua caliente). Debe lavarlas a mano con agua fría o tibia según sea necesario. (La temperatura del agua debe estar por debajo de 158 °F (70 °C)).

Mantenimiento

Estantes del refrigerador

El aspecto de los estantes varía según el modelo.



- Para retirar un estante, abra la puerta correspondiente por completo. Sostenga la parte delantera del estante y, luego, levántelo suavemente y jale hacia afuera.

NOTA

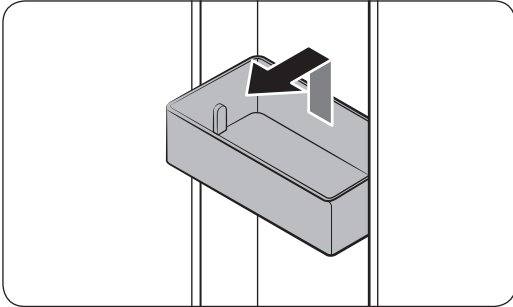
No levante el estante por completo al retirar o reinsertar el estante. La pared posterior del refrigerador podría abollarse.

- Para insertarlo nuevamente, sostenga el estante en ángulo de modo que la parte frontal esté más elevada que la trasera y luego inserte el gancho superior en la muesca superior del estante. Luego, baje el estante e inserte el gancho inferior del estante en la muesca inferior del estante.

PRECAUCIÓN

- Los estantes de vidrio templado son pesados. Tenga cuidado al retirarlos.
- El estante debe insertarse correctamente. No lo coloque al revés.
- Los contenedores de vidrio pueden rayar la superficie de los estantes de vidrio.

Compartimientos de las puertas

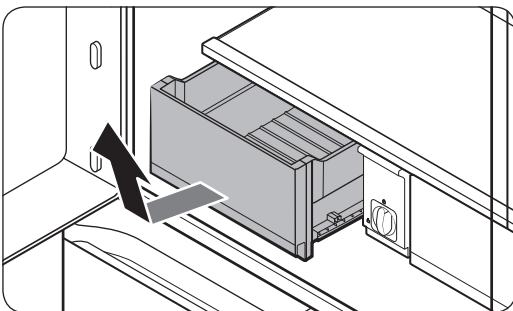


- Para retirar el **door bin (Compartimiento de la puerta)**, sostenga ambos lados delanteros del compartimiento y levántelo suavemente para retirarlo.
- Para volver a colocarlo, coloque el **compartimiento de la puerta** ligeramente por encima de su ubicación final asegurándose de que la parte posterior del compartimiento esté contra la puerta. Sostenga la parte posterior del **compartimiento de la puerta** con ambas manos y presiónelo para que encaje bien.

PRECAUCIÓN

- No retire un compartimiento lleno de alimentos. Antes, vacíe el compartimiento.
- Tenga cuidado al abrir la puerta si el compartimiento inferior contiene botellas grandes que podrían caer.
- No permita que los niños jueguen con los compartimientos. Las esquinas filosas del compartimiento pueden causar lesiones.

Cajones del refrigerador



Levante suavemente el frente del cajón y deslícelo hacia afuera.

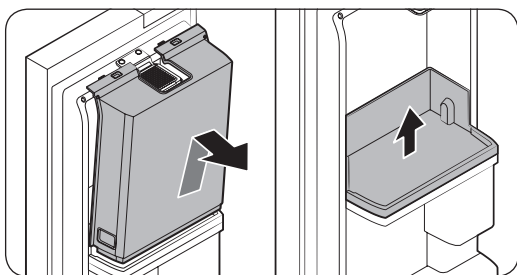
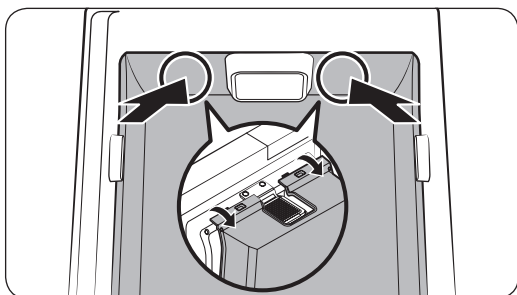
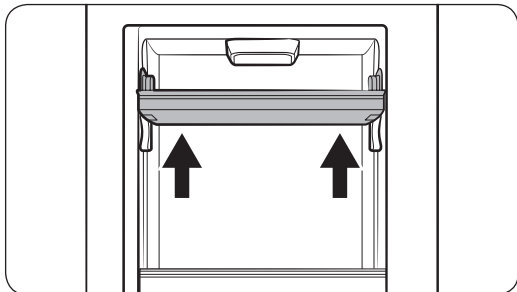
- Se recomienda retirar los compartimientos de la puerta antes de retirar el cajón. Esto es para evitar que se dañen.
- Para volver a colocarlo, inserte el cajón en los rieles y deslícelo hacia adentro.

Mantenimiento

Zona de bebidas (solo para los modelos correspondientes)

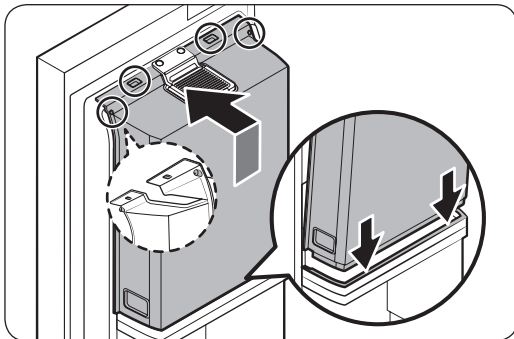
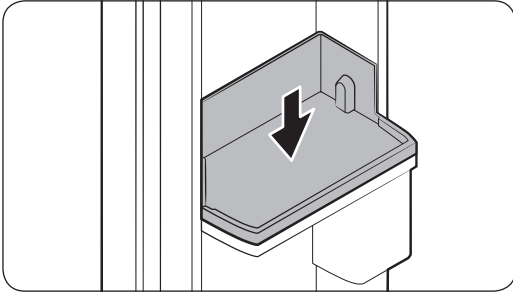
Puede seleccionar el modo **Beverage (Bebidas)** o **Wine/Dessert (Vinos/Postres)**. Almacene artículos que sean adecuados para el modo seleccionado.

Desensamble de la zona de bebidas



1. Abra la **puerta del panel izquierda** y, luego, sostenga el compartimento de la puerta superior con ambas manos y levántelo para extraerlo.
2. Con la **puerta del panel izquierda** abierta, abra la puerta del refrigerador. Luego, empuje la parte superior de la **zona de bebidas** (lado izquierdo y derecho del ventilador) desde el interior para liberar las juntas a presión que sujetan la **cubierta de la zona de bebidas** a la puerta.
3. Si se sueltan las juntas a presión en la parte superior, sostenga la **cubierta de la zona de bebidas** y levántela para retirarla.
 - Después de desensamblar la **cubierta de la zona de bebidas**, puede sostener el compartimento de la puerta inferior con ambas manos y levantarlo para retirarlo.

Ensamblado de la zona de bebidas



1. Con la puerta del refrigerador o la **puerta del panel** abierta, alinee las ranuras en el lado izquierdo y derecho del compartimiento de la puerta inferior y, luego, insértelo.
2. Abra la puerta del refrigerador y, luego, ensamble las juntas a presión en la parte inferior y superior de la **cubierta de la zona de bebidas** en orden. (Orden inverso al del desensamble)
 - Para ensamblar el compartimiento de la puerta superior, abra la **puerta del panel**, alinee las ranuras en el lado izquierdo y derecho y, luego, insértelo.

Mantenimiento

Limpieza

Interior y exterior

ADVERTENCIA

- No limpie el refrigerador con benceno, disolvente, detergente para automóviles/hogareño o Clorox™ (blanqueador). Pueden dañar la superficie del refrigerador y provocar un incendio.
- No rocíe agua sobre el refrigerador. Puede provocar una descarga eléctrica.

Utilice un paño seco regularmente para retirar cualquier sustancia extraña como polvo o agua de las terminales del enchufe de alimentación y los puntos de contacto.

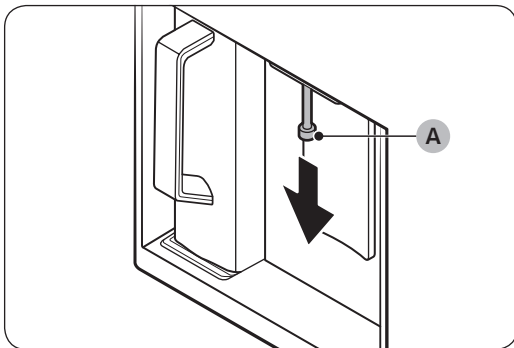
1. Desenchufe el cable de alimentación.
2. Utilice un paño húmedo que no deje pelusa o una toalla de papel para limpiar el interior y el exterior del refrigerador.
3. Al terminar, utilice un paño seco o toalla de papel para secarlo bien.
4. Enchufe el cable de alimentación.

Cámara de visión interna (solo para los modelos correspondientes)

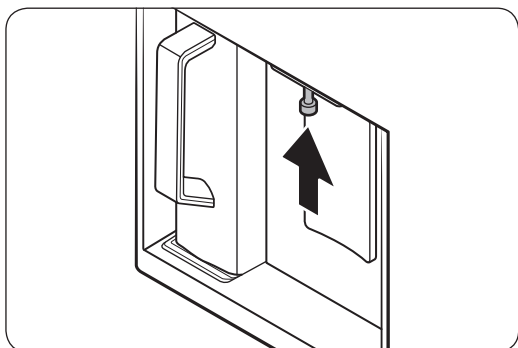
NOTA

Limpie con un hisopo de algodón o un paño de microfibra la cámara en la parte superior del refrigerador (con la puerta del refrigerador abierta).

Boquilla del dispensador (solo para los modelos correspondientes)



1. Sujete el extremo de la boquilla del dispensador (A).
2. Mientras gira la boquilla del dispensador (A) hacia la izquierda, júlela hacia abajo para retirarla del dispensador.



3. Limpie bien la boquilla y, luego, vuelva a colocarla.

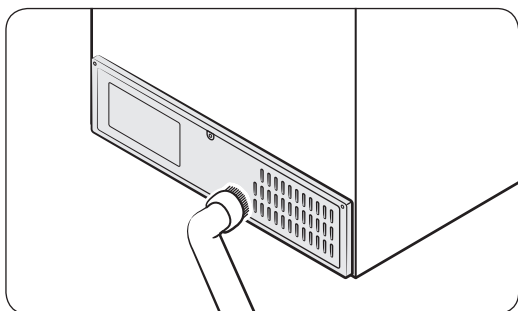
PRECAUCIÓN

- Inserte por completo la boquilla del dispensador para que vuelva a su posición original.
- No utilice esponjas con texturas ásperas para limpiar la boquilla del dispensador.

Burletes de goma

En caso de que los burletes de goma de una puerta se ensucien, es posible que la puerta no cierre bien y el refrigerador disminuya su rendimiento y eficacia. Utilice un detergente suave y un paño húmedo para limpiar los burletes de goma. Luego, séquelos bien con un paño.

Panel posterior



Para mantener los cables y las partes expuestas del panel posterior libres de polvo, aspire el panel una o dos veces al año.

PRECAUCIÓN

No retire la cubierta del panel posterior. Podría producirse una descarga eléctrica.

Mantenimiento

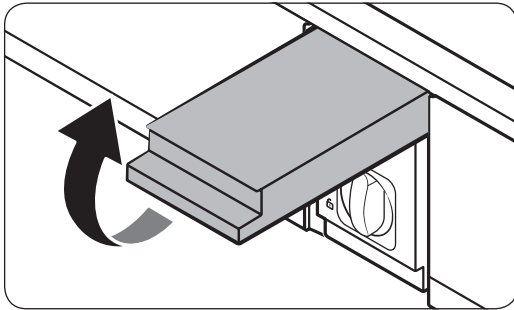
Reemplazo

Filtro de agua (solo para los modelos correspondientes)

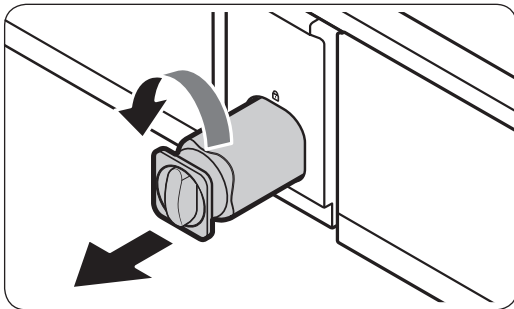
ADVERTENCIA

- No utilice filtros de agua de terceros. Utilice únicamente filtros provistos o aprobados por Samsung.
- Los filtros no aprobados pueden provocar pérdidas y daños al refrigerador y descargas eléctricas. Samsung no se hace responsable por los daños que puedan generarse a partir del uso de filtros de terceros.

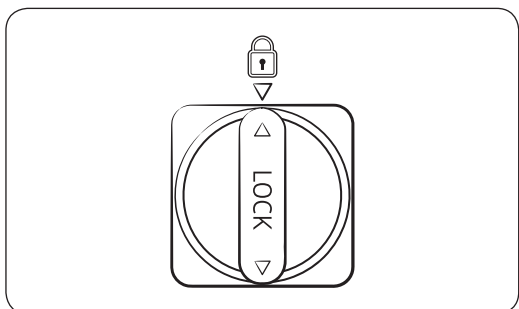
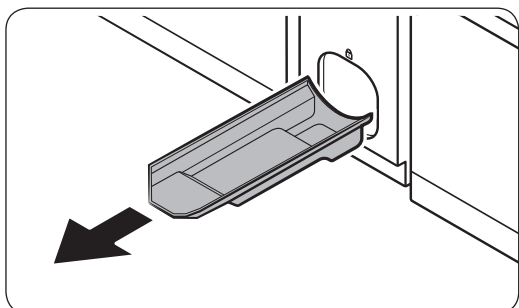
Aparece el mensaje “Replace water filter (Reemplazar filtro de agua)” en el panel principal para avisarle que es tiempo de reemplazar el filtro. Antes de reemplazar el filtro, asegúrese de que el suministro de agua principal esté cerrado.



1. Cierre el suministro de agua principal.
2. Abra la cubierta del cartucho del filtro.



3. Gire la perilla del cartucho del filtro en sentido antihorario unos 90 grados (giro de $\frac{1}{4}$). El cartucho del filtro se destraba.



4. Tire para retirar el cartucho.
 - Si el filtro de agua estuviera muy contaminado, es posible que el cartucho no pueda retirarse fácilmente. En dicho caso, retírelo por la fuerza.
 - A fin de evitar pérdidas de agua a través de la abertura del filtro, jale el cartucho en línea recta al retirarlo.
5. Inserte un nuevo cartucho de filtro. Utilice únicamente filtros provistos o aprobados por Samsung.
6. Gire la perilla del filtro en el sentido de las agujas del reloj para trabarlo en su posición.
7. Cierre la cubierta del cartucho del filtro.
8. Restablezca el filtro en el panel principal.
 - Tipo general: En el panel principal, vaya a **Settings (Ajustes)** y, luego, ejecute **Filter Reset (Restablecer filtro)**.
 - Tipo Family Hub: En la pantalla de inicio, toque **Fridge Manager (Administrador del refrigerador)** > **Fridge Settings (Ajustes del refrigerador)** > **Water Filter (Filtro de agua)** y, luego, seleccione **Reset (Restablecer)**.

NOTA

- Los filtros nuevos pueden hacer que brote agua del dispensador brevemente. Esto se debe al ingreso de aire en la tubería de agua.
- El proceso de reemplazo puede hacer que el dispensador de agua gotee por un período breve. Si gotea, simplemente limpie el agua del piso con una toalla seca.

Mantenimiento

Sistema de filtración por ósmosis inversa

La presión de agua del sistema de suministro hacia un sistema de filtrado por ósmosis inversa debe ser de entre 30 y 125 psi (206 y 861 kPa).

La presión de agua del sistema de filtrado por ósmosis inversa a la tubería de agua fría del refrigerador debe ser de al menos 30 psi (206 kPa). Si la presión de agua estuviera por debajo de estas especificaciones:

- Verifique si el filtro de sedimentos en el sistema de ósmosis inversa está bloqueado. Reemplace el filtro si fuera necesario.
- Llene nuevamente de agua el tanque de agua del sistema de ósmosis inversa.
- Si el refrigerador cuenta con un filtro de agua, es posible que la presión de agua disminuya aún más al usarlo con un sistema de ósmosis inversa. Retire el filtro de agua.

Para obtener más información sobre el mantenimiento, comuníquese con un plomero profesional.

Pedir un filtro nuevo

Para comprar un nuevo filtro de agua, comuníquese con un centro de servicios Samsung local o visite www.samsungparts.com en Internet.

Lámparas de LED

Para reemplazar las lámparas del refrigerador, comuníquese con un centro de servicios Samsung local.

ADVERTENCIA

- El usuario no debe reemplazar las lámparas. No intente reemplazar la lámpara usted mismo. Puede provocar una descarga eléctrica.

Panel de la puerta (solo para los modelos correspondientes)

Puede seleccionar el panel de la puerta que prefiera para su refrigerador BESPOKE. Adquiera el panel de la puerta en una tienda Samsung y un instalador autorizado lo instalará.

PRECAUCIÓN

- Si desensambla o ensambla el panel de la puerta usted mismo, puede provocar daños al producto o sufrir lesiones personales. Si tiene algún problema con el panel de la puerta, contacte a un centro de servicios de Samsung.
- Es posible que se le cobre una tarifa por el servicio de reemplazo del panel incluso dentro del período de garantía.

Solución de problemas

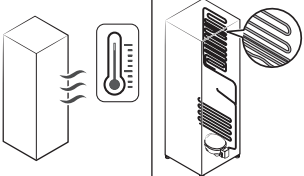
Antes de solicitar servicio técnico revise los síntomas y las soluciones recomendadas que se especifican a continuación. Si ninguna de estas soluciones recomendadas resuelve su problema, visite nuestro sitio web www.samsung.com o llame al Servicio de Atención al Cliente de Samsung al 1-800-SAMSUNG (726-7864). Tenga presente que se le cobrará por las visitas de servicio cuando no se detecte ningún desperfecto.

General

Temperatura

Síntoma	Causas posibles	Solución
El refrigerador/ congelador no funciona. La temperatura del refrigerador/congelador es elevada.	<ul style="list-style-type: none">El cable de alimentación no está conectado correctamente.	<ul style="list-style-type: none">Enchufe correctamente el cable de alimentación.
	<ul style="list-style-type: none">El control de temperatura no está configurado correctamente.	<ul style="list-style-type: none">Baje la temperatura.
	<ul style="list-style-type: none">El refrigerador está ubicado cerca de una fuente de calor o expuesto a la luz solar directa.	<ul style="list-style-type: none">Mantenga el refrigerador alejado de la luz solar directa o de las fuentes de calor.
	<ul style="list-style-type: none">No hay espacio suficiente entre el refrigerador y las paredes y gabinetes cercanos.	<ul style="list-style-type: none">Recomendamos que el espacio entre el refrigerador y las paredes o los gabinetes cercanos sea superior a 2" (50 mm).
	<ul style="list-style-type: none">El refrigerador está demasiado lleno. Los alimentos bloquean las rejillas de ventilación del refrigerador.	<ul style="list-style-type: none">No sobrecargue el refrigerador. Evite que los alimentos bloqueen la ventilación.
El refrigerador/ congelador enfría demasiado.	<ul style="list-style-type: none">El control de temperatura no está configurado correctamente.	<ul style="list-style-type: none">Eleve la temperatura.

Solución de problemas

Síntoma	Causas posibles	Solución
La pared interna está caliente.	<ul style="list-style-type: none"> El refrigerador cuenta con tuberías a prueba de calor en la pared interna. 	<ul style="list-style-type: none"> A fin de evitar que se forme condensación, el refrigerador cuenta con tuberías a prueba de calor en los ángulos frontales. Si la temperatura aumenta, es posible que el equipo no funcione eficazmente. No se trata de una falla del sistema. 

Olores

Síntoma	Causas posibles	Solución
El refrigerador huele mal.	<ul style="list-style-type: none"> Alimentos descompuestos. 	<ul style="list-style-type: none"> Limpie el refrigerador y retire los alimentos descompuestos.
	<ul style="list-style-type: none"> Alimentos con olores fuertes. 	<ul style="list-style-type: none"> Asegúrese de que los alimentos con olores fuertes estén envueltos al vacío.

Escarcha

Síntoma	Causas posibles	Solución
Escarcha alrededor de las rejillas de ventilación.	<ul style="list-style-type: none"> Los alimentos bloquean las rejillas de ventilación. 	<ul style="list-style-type: none"> Asegúrese de que ningún alimento bloquee las rejillas de ventilación del refrigerador.
Escarcha en las paredes internas.	<ul style="list-style-type: none"> La puerta está mal cerrada. 	<ul style="list-style-type: none"> Asegúrese de que ningún alimento bloquee la puerta. Limpie las juntas de la puerta.
Las frutas o los vegetales se congelan.	<ul style="list-style-type: none"> Las frutas o los vegetales están guardados en el cajón FlexZone. 	<ul style="list-style-type: none"> No debe almacenar casi ningún tipo de frutas o vegetales en el cajón FlexZone.

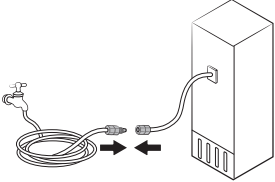
Condensación

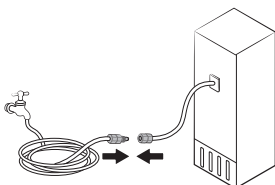
Síntoma	Causas posibles	Solución
Se forma condensación en las paredes internas.	<ul style="list-style-type: none">• Si se deja la puerta abierta, entra humedad en el refrigerador.	<ul style="list-style-type: none">• Retire la humedad y no deje la puerta abierta durante períodos prolongados.
	<ul style="list-style-type: none">• Alimentos con elevado contenido de humedad.	<ul style="list-style-type: none">• Asegúrese de que los alimentos estén envueltos al vacío.

Agua/hielo (solo para modelos con dispensador)

Síntoma	Causas posibles	Solución
Sale menos agua de lo normal.	<ul style="list-style-type: none">• La presión del agua es demasiado baja.	<ul style="list-style-type: none">• Asegúrese de que la presión del agua esté entre 30 y 125 psi (206 y 861 kPa).
La fábrica de hielo emite un zumbido.	<ul style="list-style-type: none">• La función de fabricación de hielo está activada, pero el suministro de agua al refrigerador no está conectado.	<ul style="list-style-type: none">• Apague la fábrica de hielo.
La fábrica de hielo no hace hielo.	<ul style="list-style-type: none">• La fábrica de hielo está recién instalada.	<ul style="list-style-type: none">• Debe esperar 24 horas para que el refrigerador haga hielo.
	<ul style="list-style-type: none">• La temperatura del congelador es demasiado alta.	<ul style="list-style-type: none">• Configure la temperatura del congelador por debajo de 0 °F (-18 °C) o -4 °F (-20 °C) en ambientes cálidos.
	<ul style="list-style-type: none">• Fábrica de hielo desactivada.	<ul style="list-style-type: none">• Encienda la fábrica de hielo.

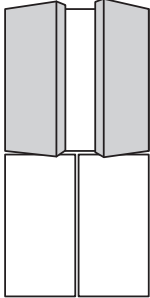
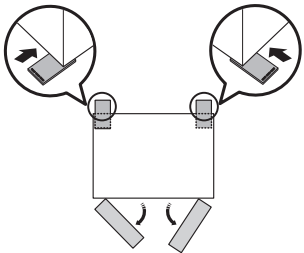
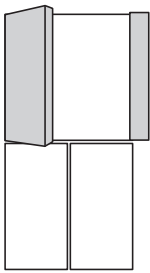
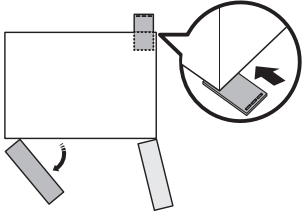
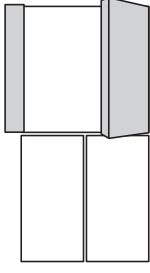
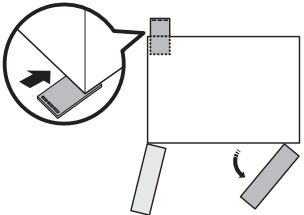
Solución de problemas

Síntoma	Causas posibles	Solución
No se dispensa hielo.	<ul style="list-style-type: none">El hielo puede atascarse si el dispensador de hielo no se utiliza durante un periodo largo de tiempo (aproximadamente 3 semanas).	<ul style="list-style-type: none">Si no utilizará el refrigerador por un periodo de tiempo prolongado, vacíe la cubeta de hielo y apague la fábrica de hielo.
	<ul style="list-style-type: none">La cubeta de hielo no está insertada correctamente.	<ul style="list-style-type: none">Asegúrese de que la cubeta de hielo esté insertada por completo.
	<ul style="list-style-type: none">La tubería de agua no está conectada correctamente o el suministro de agua está cerrado.	<ul style="list-style-type: none">Revise el estado de la instalación de agua. 

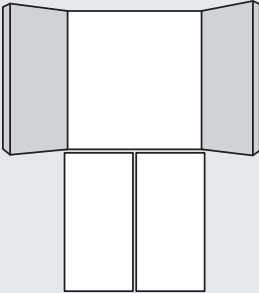
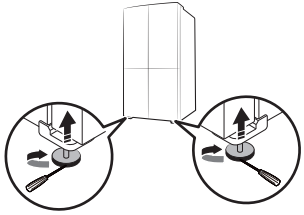
Síntoma	Causas posibles	Solución
No se dispensa agua.	<ul style="list-style-type: none"> La tubería de agua no está conectada correctamente o el suministro de agua está cerrado. 	<ul style="list-style-type: none"> Revise el estado de la instalación de agua. 
	<ul style="list-style-type: none"> Se instaló un filtro de agua de terceros. 	<ul style="list-style-type: none"> Utilice únicamente filtros provistos o aprobados por Samsung. Los filtros no aprobados pueden provocar pérdidas y daños al refrigerador.
	<p>Tipo general</p> <ul style="list-style-type: none"> Aparece el mensaje “Replace water filter (Reemplazar filtro de agua)” en el panel principal. <p>Tipo Family Hub</p> <ul style="list-style-type: none"> El indicador del filtro de agua se enciende en rojo. 	<p>Tipo general</p> <ul style="list-style-type: none"> Reemplace el filtro de agua. A continuación en el panel principal, vaya a Settings (Ajustes) y, luego, ejecute Filter Reset (Restablecer filtro). <p>Tipo Family Hub</p> <ul style="list-style-type: none"> Reemplace el filtro de agua. Luego de reemplazarlo, restablezca el filtro en Fridge Manager (Administrador del refrigerador) > Fridge Settings (Ajustes del refrigerador) > Water Filter (Filtro de agua).

Solución de problemas

Apertura automática de la puerta (solo para los modelos correspondientes)

Síntoma	Causas posibles	Solución
<p>Ambas puertas</p> 	<ul style="list-style-type: none"> Los lados posteriores del refrigerador están bajos. 	<ul style="list-style-type: none"> Levante los lados posteriores del refrigerador para nivelarlo. * 
<p>Puerta izquierda</p> <p>Las puertas del refrigerador no se abren lo suficiente.</p> 	<ul style="list-style-type: none"> El lado posterior derecho del refrigerador está bajo. 	<ul style="list-style-type: none"> Levante el lado posterior derecho del refrigerador para nivelarlo. * 
<p>Puerta derecha</p> 	<ul style="list-style-type: none"> El lado posterior izquierdo del refrigerador está bajo. 	<ul style="list-style-type: none"> Levante el lado posterior izquierdo del refrigerador para nivelarlo. * 

Solución de problemas

Síntoma	Causas posibles	Solución
<p>Las puertas del refrigerador se abren demasiado.</p> 	<ul style="list-style-type: none"> Los lados frontales del refrigerador están bajos. 	<ul style="list-style-type: none"> Levante los lados frontales del refrigerador para nivelarlo. * 

* Para obtener más información sobre la nivelación del refrigerador, consulte la sección “PASO 4 Nivelación del refrigerador” en la página 33).

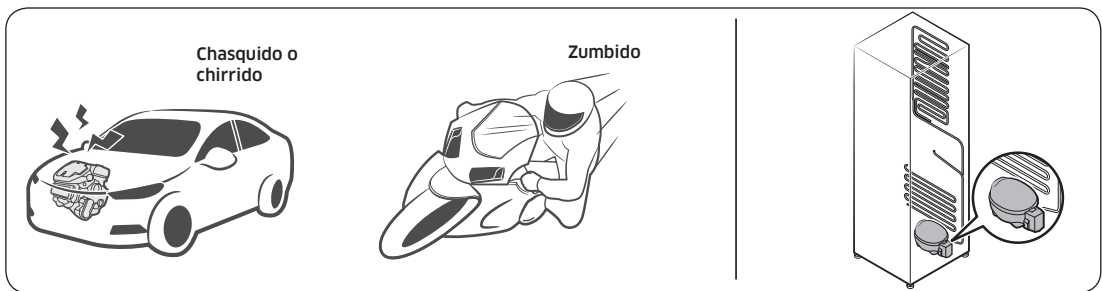
Solución de problemas

¿Se oyen ruidos anómalos procedentes del refrigerador?

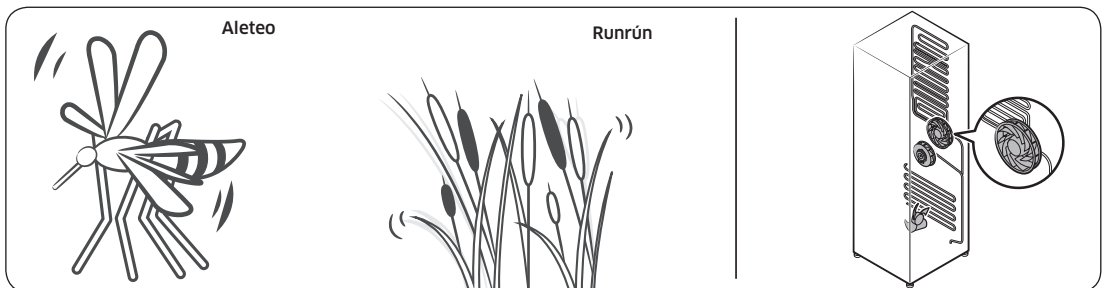
Antes de llamar al servicio técnico, revise la siguiente información. Si aún tiene alguna duda respecto de algún ruido relacionado con su refrigerador, llame al Servicio de Atención al Cliente de Samsung al 1-800-SAMSUNG (726-7864). Tenga presente que se le cobrará por las visitas de servicio relacionadas con ruidos normales cuando no se detecte ningún desperfecto.

Estos ruidos son normales.

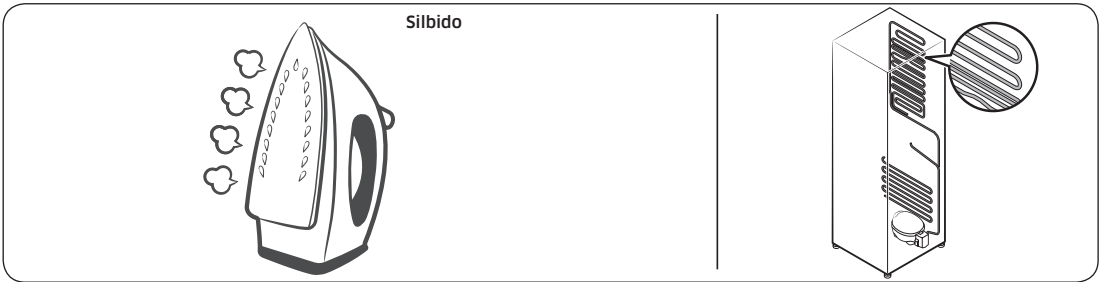
- Cuando se inicia o finaliza una operación, el refrigerador puede emitir unos sonidos similares al encendido del motor de un auto. Cuando la operación se estabiliza, el ruido disminuye.



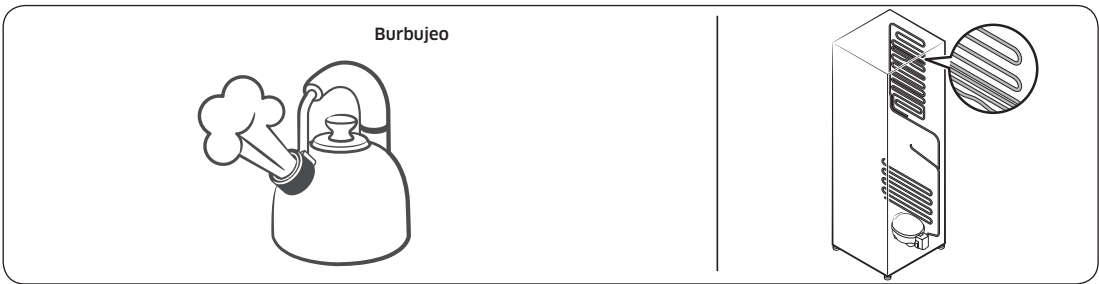
- Cuando el ventilador está en funcionamiento puede producir algunos ruidos. Cuando el refrigerador alcanza la temperatura establecida, el ruido del ventilador se detiene.



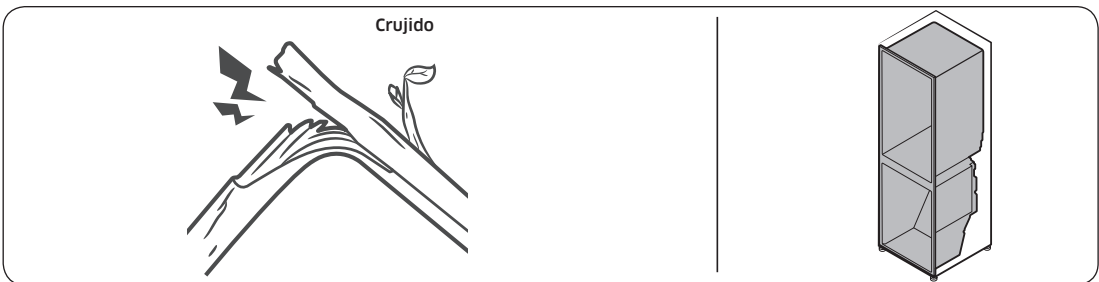
- Durante un ciclo de descongelación, pueden caer gotas de agua sobre el calefactor y producir ruidos de chisporroteo.



- Cuando el refrigerador enfría o congela, el gas refrigerante circula por las tuberías selladas y produce ruidos de burbujas.



- Cuando la temperatura del refrigerador aumenta o disminuye, las partes plásticas se contraen y se expanden y producen ruidos de golpeteo. Dichos ruidos se producen durante el ciclo de descongelación o cuando las piezas electrónicas están funcionando.



- Para modelos con fábrica de hielo: Cuando la válvula de agua se abre para llenar la fábrica de hielo, pueden oírse unos zumbidos.
- Debido a la eculización de la presión cuando se abre y cierra la puerta del refrigerador, pueden oírse sonidos silbantes.

Solución de problemas

SmartThings

Síntoma	Acción
No se encuentra "SmartThings" en el mercado de aplicaciones.	<ul style="list-style-type: none">La versión de software de soporte de la aplicación SmartThings está sujeta a cambios de acuerdo con la política de soporte del sistema operativo que proporciona el fabricante. Además, en cuanto a la aplicación SmartThings o las funciones que admite la aplicación, la nueva política de actualización de la aplicación en la versión del sistema operativo existente puede suspenderse por razones de seguridad o de usabilidad.
La aplicación SmartThings no funciona.	<ul style="list-style-type: none">La aplicación SmartThings está disponible únicamente para los modelos correspondientes.La antigua aplicación del refrigerador inteligente Samsung no puede conectarse con los modelos Samsung Smart Home.
La aplicación SmartThings está instalada pero no se conecta a mi refrigerador.	<ul style="list-style-type: none">Debe iniciar una sesión con su cuenta Samsung para utilizar la aplicación.Asegúrese de que su enrutador funcione normalmente.Si no conectó el refrigerador a la aplicación SmartThings luego de instalarla, debe establecer la conexión con la función de registro del dispositivo de la aplicación.
No se puede iniciar una sesión en la aplicación.	<ul style="list-style-type: none">Debe iniciar una sesión con su cuenta Samsung para utilizar la aplicación.Si no tiene una cuenta Samsung, siga las instrucciones en pantalla de la aplicación para crear una.
Cuando trato de registrar mi refrigerador aparece un mensaje de error.	<ul style="list-style-type: none">Easy Connection puede fallar como resultado de la distancia con respecto al punto de acceso (PA) o una interferencia eléctrica del entorno circundante. Espere un momento e inténtelo nuevamente.
La aplicación SmartThings está conectada correctamente a mi refrigerador pero no funciona.	<ul style="list-style-type: none">Salga y reinicie la aplicación SmartThings o desconecte el enrutador y vuelva a conectarlo.Desconecte el cable de alimentación del refrigerador y enchúfelo nuevamente después de 1 minuto.

LCD

(Solo aplica al tipo Family Hub)

Síntoma	Acción
No puedo conectarme al televisor.	<ul style="list-style-type: none">• Verifique si su televisor es compatible con la función "TV to Mobile (TV a dispositivo móvil)".<ul style="list-style-type: none">- Puede encontrar el nombre de su modelo en la etiqueta adherida a la parte posterior de su televisor o en el menú de configuración de su televisor.- Busque su modelo en el sitio web de Samsung y consulte la sección de especificaciones para ver si su modelo es compatible con la función.<ul style="list-style-type: none">- 2015-2016 : (Modelos J/K): Serie JU6400/KU6400 o posterior- 2017 : Q6FM o posterior, MU6400 o posterior, LS003(frame)- 2018 : Q6FN o posterior, NU7400 o posterior, LS03N(frame)- 2019 : Q60R o posterior, LS03R(frame), LS01R(serif), LS05R(sero. Corea solamente)- Modelos lanzados en 2020 y posteriores: Serie Q70 o superior, serie LS01 (serif), serie LS03 (marco, excepto modelos de 32"), serie LS05 (sero).• Las conexiones de red pueden interrumpirse temporalmente. Apague el televisor y vuelva a intentarlo.
La imagen de la vista interior se ve deformada o incompleta.	<ul style="list-style-type: none">• Los bordes de la vista interior pueden verse deformados. La deformación es causada por la lente convexa de la cámara.• La vista interior puede estar incompleta debido a los ángulos muertos de las esquinas izquierda y derecha, o verse alterada según la forma de los alimentos. Asegúrese de colocar los alimentos en el centro de la parte delantera.
La medición que se muestra en el administrador del refrigerador no es correcta.	<ul style="list-style-type: none">• Las condiciones mostradas pueden diferir de la temperatura y la humedad reales.

Solución de problemas

Smart Grid

(solo para los modelos correspondientes)

Síntoma	Acción
¿Qué necesito para utilizar las funciones de gestión de energía y Smart Grid?	<p>Para usar las funciones Smart Grid (respuesta a la demanda) y gestión de energía del refrigerador, se necesita lo siguiente:</p> <p>Dispositivos</p> <ul style="list-style-type: none">• Un punto de acceso inalámbrico (enrutador)• Un refrigerador Samsung que admita la gestión de energía• Un teléfono inteligente <p>Registro</p> <ul style="list-style-type: none">• Conecte el refrigerador a su red Wi-Fi doméstica.• Regístrese en el servicio EMS con su compañía de electricidad. Su compañía eléctrica debe tener un EMS (sistema de gestión de energía) compatible con SEP (perfil de energía inteligente). <p>Aplicación</p> <ul style="list-style-type: none">• Descargue la aplicación SmartThings desde Google Play Store, Apple App Store o Samsung Galaxy Apps.• Instale y ejecute la aplicación SmartThings en su teléfono inteligente.
¿Por qué la función de gestión de energía no opera con normalidad?	<ul style="list-style-type: none">• Asegúrese de que el enrutador de su casa opere con normalidad y el servicio y la conexión a Internet sean correctos.• Asegúrese de que el refrigerador esté conectado al PA (enrutador). <p>Puntos de verificación</p> <ul style="list-style-type: none">• Conecte su teléfono inteligente al enrutador (PA, punto de acceso) y verifique si puede acceder a Internet desde el teléfono.
¿Por qué la capacidad de demora del descongelamiento no opera con normalidad?	<ul style="list-style-type: none">• Asegúrese de que el enrutador de su casa opere con normalidad y el servicio y la conexión a Internet sean correctos.

GARANTÍA LIMITADA (EE.UU.)

REFRIGERADOR SAMSUNG

GARANTÍA LIMITADA AL COMPRADOR ORIGINAL CON COMPROBANTE DE COMPRA

Este producto de la marca SAMSUNG, tal como lo suministra y distribuye Samsung Electronics America, Inc. (SAMSUNG) y lo entrega como nuevo en su caja de cartón original al comprador original, está garantizado por SAMSUNG contra defectos de fabricación de los materiales o la mano de obra durante los períodos de garantía limitada, a partir de la fecha de entrega al comprador original:

Un (1) año para las piezas y la mano de obra

Cinco (5) años para las piezas y la mano de obra exclusivamente del sistema hermético de refrigeración (compresor, evaporador, condensador, deshumidificador y tuberías de conexión)

Diez (10) años para las piezas y cinco (5) años para la mano de obra exclusivamente del compresor Inverter digital

Esta garantía limitada solo es válida para productos comprados y utilizados en Estados Unidos de América que hayan sido instalados, operados y mantenidos de acuerdo a las instrucciones que se adjuntaron o proporcionaron con el producto. Para recibir el servicio técnico de la garantía, el comprador debe comunicarse con SAMSUNG en la dirección o con el número de teléfono detallado en esta garantía con el fin de que se determine el problema y los procedimientos del servicio. El servicio de garantía solo puede realizarse a través de un Centro de Servicio autorizado por SAMSUNG. Para recibir el servicio en garantía, debe presentarse la factura original de compra fechada y/o la prueba de entrega como comprobante de compra a solicitud de SAMSUNG o de un centro de servicio autorizado de SAMSUNG.

SAMSUNG brindará servicio técnico a domicilio sin costo dentro de los Estados Unidos contiguos durante el período de garantía, sujeto a disponibilidad de los prestadores de servicio técnico autorizados dentro del área geográfica del cliente. Si el servicio a domicilio no está disponible, SAMSUNG podrá, según su criterio, optar por brindar el servicio de transporte del producto de ida y vuelta al centro de servicio. Si el producto se encuentra en un área sin prestadores de servicio técnico autorizado de SAMSUNG, es posible que se cobre el costo del viaje o se solicite que el cliente lleve el producto a un centro de servicio técnico autorizado de SAMSUNG para que se realice el servicio técnico.

Como condición para que se preste este servicio a domicilio, el producto debe encontrarse libre de obstrucciones y accesible para el agente de servicio.

Durante el período de garantía correspondiente, el producto se reparará, reemplazará, o se devolverá el monto de la compra, según decida SAMSUNG. SAMSUNG podrá utilizar piezas nuevas o reparadas al reparar el producto; o lo reemplazará con un producto nuevo o reparado. Las piezas y los productos reemplazados estarán garantizados por la garantía del producto original que resta, o noventa (90) días, el período que sea el más prolongado. Todas las piezas y los productos reemplazados son propiedad de SAMSUNG y deben ser devueltos a SAMSUNG.

GARANTÍA LIMITADA (EE.UU.)

Esta garantía limitada cubre defectos de fabricación en materiales o de mano de obra bajo condiciones de uso doméstico normal, no comercial, del producto y no cubrirá lo siguiente: daños ocasionados durante el transporte, la entrega o la instalación o por uso distinto al previsto para este producto; producidos por modificación o alteración no autorizada del producto; productos a los que se le borraron, desfiguraron o cambiaron de forma alguna los números de serie de fabricación originales, o en los que no se puede leer con claridad; daños cosméticos como rayones, abolladuras o muescas, o cualquier daño al acabado del producto; daños producidos por abuso, uso incorrecto, infestación de plagas, accidentes, incendios, inundaciones u otros fenómenos de la naturaleza o casos de fuerza mayor; daños producidos por uso de equipos, herramientas, servicios, piezas, suministros, accesorios, aplicaciones, instalaciones, reparaciones, cableado externo o conectores no suministrados o autorizados por SAMSUNG; daños causados por corriente o voltaje incorrectos, sobretensión o fluctuación de la línea eléctrica; daños causados por no operar o mantener el producto como establecen las instrucciones; instrucción a domicilio sobre el uso del producto; servicio técnico para el arreglo de instalaciones que no se adecuan a los códigos de electricidad y fontanería o arreglo de conexiones eléctricas o de fontanería del hogar (por ejemplo, arreglos de cableado, fusibles o tuberías de la toma de agua). El costo de reparación o remplazo bajo estas circunstancias excluidas le corresponderá al cliente.

Las visitas de un técnico de servicio autorizado para explicar las funciones, el mantenimiento o la instalación del producto no están cubiertas por esta garantía limitada. Comuníquese con SAMSUNG al número que figura a continuación si necesita asistencia en los anteriores casos.

EXCLUSIÓN DE GARANTÍAS IMPLÍCITAS

GARANTÍAS TÁCITAS, INCLUYENDO LAS GARANTÍAS DE COMERCIABILIDAD O APTITUD PARA UN PROPÓSITO ESPECIAL, POSEEN UN TÉRMINO LIMITADO DE UN AÑO O EL PERÍODO MÁS CORTO PERMITIDO POR LA LEY. Algunos Estados no permiten limitaciones en cuanto al plazo de una garantía implícita, por lo tanto las limitaciones o exclusiones antedichas pueden no aplicarse en su caso. Esta garantía le otorga derechos específicos, e incluso puede otorgarle otros derechos que varían de un estado a otro.

LIMITACIÓN DE COMPENSACIÓN

SU ÚNICA COMPENSACIÓN ES LA REPARACIÓN DEL PRODUCTO, EL REMPLAZO DEL PRODUCTO O LA DEVOLUCIÓN DEL MONTO DE LA COMPRA, SEGÚN DECIDA SAMSUNG, DE ACUERDO A LO ESTIPULADO EN ESTA GARANTÍA LIMITADA. SAMSUNG NO SERÁ RESPONSABLE DE DAÑOS IMPREVISTOS O DERIVADOS, QUE INCLUYEN PERO NO SE LIMITAN AL TIEMPO Y FORMA DEL TRABAJO, HOTELES Y/O COMIDAS DE RESTAURANTES, GASTOS DE REMODELACIÓN, PÉRDIDA DE INGRESOS O GANANCIAS, NO OBTENCIÓN DE AHORROS U OTROS BENEFICIOS SIN IMPORTAR LA TEORÍA JURÍDICA EN LA QUE SE BASA EL RECLAMO, INCLUSO SI SE HA NOTIFICADO A SAMSUNG QUE TALES DAÑOS ERAN POSIBLES. Algunos estados no permiten la exclusión o limitación de daños imprevistos o derivados, por lo tanto las limitaciones o las exclusiones nombradas anteriormente podrían no aplicarse. Esta garantía le otorga derechos específicos, e incluso puede otorgarle otros derechos que varían de un estado a otro.

SAMSUNG no garantiza un funcionamiento ininterrumpido y sin fallas del producto. Ninguna otra garantía otorgada por persona, compañía o corporación alguna con respecto al presente producto revestirá carácter vinculante para SAMSUNG.

Para obtener el servicio de garantía, pónganse en contacto con SAMSUNG en:

Samsung Electronics America, Inc.
85 Challenger Road
Ridgefield Park, NJ 07660
1-800-SAMSUNG (726-7864)
www.samsung.com/us/support

Aviso regulatorio

Aviso de la FCC

PRECAUCIÓN de la FCC:

Todos los cambios y modificaciones que no cuenten con la aprobación expresa de la parte responsable del cumplimiento pueden invalidar la autoridad del usuario para operar el equipo.

Este dispositivo contiene el módulo transmisor.

Este aparato cumple con la sección 15 de las Normas de la FCC. El funcionamiento se encuentra sujeto a las siguientes dos condiciones:

- (1) Este aparato no puede causar interferencia dañina y
- (2) Este aparato debe aceptar la recepción de cualquier interferencia, incluidas aquellas que causen un funcionamiento indeseado.

En los productos disponibles en los mercados de los Estados Unidos y Canadá, solo están disponibles los canales 1 a 11.

No es posible seleccionar otros canales.

DECLARACIÓN DE LA FCC:

Este equipo ha sido sometido a pruebas y se ha determinado que se encuentra dentro de los límites para los dispositivos digitales clase B, de acuerdo con la sección 15 de las Normas de la FCC. Dichos límites han sido diseñados para proporcionar una protección razonable contra la interferencia dañina en una instalación residencial.

Este equipo genera, utiliza y puede irradiar energía de frecuencias de radio y, si no se lo instala y utiliza de acuerdo con las instrucciones, pueden producirse interferencias en las comunicaciones de radio. Sin embargo, no existe garantía alguna de que no habrá interferencia en una instalación determinada. Si el equipo provoca interferencia dañina a la recepción de radio o televisión, que puede determinarse al encender y apagar el equipo, se sugiere que el usuario trate de corregir la interferencia mediante una o más de las siguientes medidas:

- Reorientar o reubicar la antena receptora
- Aumentar la distancia entre el equipo y el receptor
- Conectar el equipo en un tomacorriente que está en un circuito diferente que el receptor.
- Consultar a su distribuidor o a un técnico experimentado en radio/TV para obtener ayuda.

DECLARACIÓN DE LA FCC SOBRE LA EXPOSICIÓN A LA RADIACIÓN:

Este equipo cumple con los límites de exposición a la radiación establecidos por la FCC para un entorno no controlado.

Este equipo debe instalarse y utilizarse con una distancia mínima de 8 pulgadas (20 cm) entre el radiador y su cuerpo. Este aparato y sus antenas no deben ubicarse ni utilizarse junto con ninguna otra antena o transmisor excepto si se cumplen los procedimientos de la FCC para productos transmisores múltiples.

Declaración de cumplimiento con las Normas de la FCC (solo para los modelos correspondientes)

Modelo	RF29DB990012, RF29DB9900QL, RF23DB990012, RF23DB9900QL
Modelo alternativo	RF29DB9900**, RF23DB9900** (El símbolo “**” puede ser cualquier carácter alfanumérico).
Parte responsable - Información de contacto en EE. UU.	Samsung Electronics America, Inc. 85 Challenger Road. Ridgefield Park. NJ 07660 Teléfono: 1-800-SAMSUNG (726-7864)

Este dispositivo cumple con la sección 15 de las Normas de la FCC. El funcionamiento se encuentra sujeto a las siguientes dos condiciones: (1) Este dispositivo no puede causar interferencia dañina, y (2) este dispositivo debe aceptar la recepción de cualquier interferencia, incluidas aquellas que puedan causar un funcionamiento indeseado.

Aviso de la IC

Este dispositivo contiene el módulo transmisor.

El término “IC” antes del número de certificación de radio solo significa que cumple con las especificaciones técnicas de la Industria de Canadá. El funcionamiento se encuentra sujeto a las siguientes dos condiciones: (1) Este aparato no puede causar interferencia dañina, y (2) este aparato debe aceptar la recepción de cualquier interferencia, incluidas aquellas que puedan causar un funcionamiento indeseado. Este aparato digital Clase B cumple con el ICES-003 de Canadá.

En los productos disponibles en los mercados de los Estados Unidos y Canadá, solo están disponibles los canales 1 a 11. No es posible seleccionar otros canales.

DECLARACIÓN IC SOBRE LA EXPOSICIÓN A LA RADIACIÓN:

Este equipo cumple con los límites de exposición a la radiación establecidos por la IC RSS-102 para un entorno no controlado. Este equipo debe instalarse y utilizarse con una distancia mínima de 8 pulgadas (20 cm) entre el radiador y su cuerpo. Este aparato y sus antenas no deben ubicarse ni utilizarse junto con ninguna otra antena o transmisor excepto si se cumplen los procedimientos de la FCC para productos transmisores múltiples.

GUARDE ESTAS INSTRUCCIONES

Open Source Announcement

(Applicable to general type only. For Family Hub type, refer to the online manual.)

The software included in this product contains open source software.

The following URL http://opensource.samsung.com/opensource/SMART_TP1_0/seq/0 leads to open source license information as related to this product.



Notas



Scan the QR code* or visit
www.samsung.com/spsn
 to view our helpful
 How-to Videos and Live Shows

* Requires reader to be installed on your
 smartphone

Scan this with your smartphone

Contacte a SAMSUNG WORLD WIDE

Si tiene preguntas o comentarios relacionados con los productos Samsung, póngase en contacto con el Servicio de Atención al Cliente de SAMSUNG.

País	Centro de contacto	Sitio web
U.S.A	1-800-SAMSUNG (726-7864) 1-844-SAM-PAYS (726-7297)	www.samsung.com/us/support
CANADA	1-800-SAMSUNG (726-7864) 1-844-SAM-PAYS (726-7297)	www.samsung.com/ca/support (English) www.samsung.com/ca_fr/support (French)



Réfrigérateur

Guide d'utilisation

Appareil amovible

SAMSUNG

Sommaire

Consignes de sécurité	4
Ce que vous devez savoir au sujet des consignes de sécurité	4
Consignes de sécurité importantes et symboles :	5
Avertissement de la proposition 65 de l'État de Californie	5
Consignes de sécurité importantes	5
Symboles d'avertissement importants concernant le transport et le lieu d'installation de l'appareil	7
Avertissements importants concernant l'installation	7
Installation en toute sécurité	9
Avertissements importants concernant l'utilisation	9
Utilisation en toute sécurité	13
Nettoyage en toute sécurité	14
Avertissements importants concernant la mise au rebut	15
Installation	16
Présentation rapide du réfrigérateur	17
Installation étape par étape	21
Opérations	44
Panneau principal	44
SmartThings	53
Recommandations pour la reconnaissance vocale	56
Fonction SMART GRID (Réponse à la demande)	56
Fonctions spéciales	59
Maintenance	74
Utilisation et entretien	74
Nettoyage	80
Remplacement	82

Dépannage	85
Généralités	85
Votre réfrigérateur émet-il un bruit anormal ?	92
SmartThings	94
Écran LCD	95
Smart Grid (Réponse à la demande)	96
Informations relatives à la garantie (CANADA)	97
Si votre réfrigérateur doit être réparé	97
Garantie limitée à l'acheteur initial	97
Obligation du propriétaire initial	97
Exclusions de la garantie	98
Avis d'application de la réglementation	99
Avis de la FCC	99
Avis d'IC	100
Open Source Announcement	101

Consignes de sécurité

Avant d'utiliser votre nouveau réfrigérateur Samsung, veuillez lire attentivement ce guide afin de vous assurer que vous savez comment utiliser de manière sûre et efficace ses différentes fonctionnalités.

Ce que vous devez savoir au sujet des consignes de sécurité

- Cet appareil n'est pas conçu pour être utilisé par des personnes (y compris des enfants) manquant d'expérience et de connaissances, ou dont les capacités physiques, sensorielles ou mentales sont réduites, sauf si celles-ci sont sous la surveillance ou ont reçu les instructions d'utilisation appropriées de la personne responsable de leur sécurité. Il est nécessaire de surveiller les enfants pour s'assurer qu'ils ne jouent pas avec l'appareil.
- Les instructions suivantes concernent plusieurs modèles ; il est donc possible que les caractéristiques de votre réfrigérateur soient légèrement différentes de celles spécifiées dans ce manuel.
- Pour toute question, communiquez avec nous au 1-800-SAMSUNG ou connectez-vous sur www.samsung.com.
- Le gaz réfrigérant qui pourrait s'échapper des tuyaux risquerait de s'enflammer ou de provoquer des lésions oculaires. En cas de fuite de réfrigérant, n'approchez pas de flamme nue, éloignez tout objet inflammable de l'appareil et aérez immédiatement la pièce.
 - Le non-respect de cette consigne risquerait de provoquer un incendie ou une explosion.
- Toute utilisation non conforme de la fiche de mise à la terre peut présenter un risque de choc électrique. Si l'utilisation d'une rallonge s'avère nécessaire, utilisez uniquement une rallonge à trois fils munie d'une fiche de mise à la terre à trois broches que vous brancherez dans une prise à trois alvéoles compatible avec la fiche de l'appareil. Les caractéristiques électriques de la rallonge doivent être de 115-120 V c.a. et 10 A minimum. Si un adaptateur de mise à la terre est utilisé, vérifiez que la boîte de prise de courant est entièrement mise à la terre.

Consignes de sécurité importantes et symboles :

Veillez suivre toutes les instructions relatives à la sécurité fournies dans le présent manuel. Le présent manuel utilise les symboles de sécurité suivants.

AVERTISSEMENT

Risques ou manipulations dangereuses susceptibles d'entraîner des **blessures graves, des dégâts matériels et/ou la mort.**

ATTENTION

Risques ou manipulations dangereuses susceptibles d'entraîner des **blessures graves et/ou des dégâts matériels.**

REMARQUE

Informations utiles qui aident l'utilisateur à comprendre ou utiliser le réfrigérateur.

Ces symboles d'avertissement ont pour but d'éviter tout risque de blessure.

Respectez-les en toutes circonstances.

Lisez attentivement la présente section et conservez le guide en lieu sûr afin de pouvoir le consulter ultérieurement.

Avertissement de la proposition 65 de l'État de Californie

AVERTISSEMENT

Risque de cancer et de malformations congénitales - www.P65Warnings.ca.gov.

Consignes de sécurité importantes



AVERTISSEMENT - Risque d'incendie / matières inflammables

AVERTISSEMENT

- Le gaz réfrigérant utilisé est le R-600a. Cet appareil contient du gaz inflammable (gaz réfrigérant R-600a) ; veuillez communiquer avec les autorités locales pour obtenir des renseignements sur la mise au rebut en toute sécurité de votre appareil.
- Afin d'éviter la création d'un mélange gaz-air inflammable lorsqu'une fuite se produit dans le circuit frigorifique, la taille de la pièce où installer l'appareil dépend de la quantité de gaz réfrigérant utilisée. La pièce doit avoir un volume de 35,3 pi³ pour chaque 8 g de gaz réfrigérant R-600a à l'intérieur de l'appareil.

Consignes de sécurité

- L'emplacement choisi pour l'installation ne doit pas être exposé à la lumière directe du soleil et ne doit pas être placé à proximité d'une source de chaleur ou d'un autre appareil électrique, par exemple d'une cuisinière, d'un four, d'une plaque chauffante ou encore d'un radiateur.
- Pour des raisons de sécurité, si vous utilisez deux appareils côte à côte, assurez-vous d'utiliser des appareils certifiés dans les atmosphères contenant des gaz explosifs.
- Ne démarrez jamais un appareil qui présente des signes d'endommagement. En cas de doutes, communiquez avec votre revendeur.
- Si le cordon d'alimentation est endommagé, il doit être remplacé par le fabricant, un fournisseur de service ou toute autre personne qualifiée afin d'éviter tout risque.
- La prise doit être facilement accessible afin de pouvoir rapidement débrancher l'appareil de l'alimentation en cas d'urgence. Elle ne doit pas se situer derrière l'appareil.
- Dans cet appareil, ne stockez pas de substances explosives telles que des aérosols avec un propulseur inflammable.
- Les jeux de tuyaux neufs fournis avec l'appareil doivent être utilisés et les anciens ne doivent pas être réutilisés.
- Lors du positionnement de l'appareil, assurez-vous que le cordon d'alimentation n'est pas coincé ou endommagé.
- Ne placez pas plusieurs rallonges électriques ou sources d'alimentation portables à l'arrière de l'appareil.

MISE EN GARDE

- Remplir uniquement avec de l'eau potable.
- Maintenir dégagées les ouvertures de ventilation dans l'enceinte de l'appareil ou dans la structure d'encastrement.
- Ne pas utiliser de dispositifs mécaniques ou autres moyens pour accélérer le processus de dégivrage autres que ceux recommandés par le fabricant.
- Ne pas endommager le circuit de réfrigération.
- Ne pas utiliser d'appareils électriques à l'intérieur du compartiment de stockage des denrées, à moins qu'ils ne soient du type recommandé par le fabricant.
- Raccordez le réfrigérateur à une source d'eau potable uniquement.

MISE EN GARDE

- Risque d'enfermer les enfants. Avant de jeter votre vieux réfrigérateur ou congélateur :
 - Retirer les portes.
 - Laisser les tablettes en place pour que les enfants ne puissent pas facilement grimper à l'intérieur.

Cet appareil est destiné à être utilisé dans les applications domestiques et similaires telles que :

- zones de cuisine du personnel dans les magasins, bureaux et autres environnements de travail ;
- fermes et clients d'hôtels, motels et autres environnements de type résidentiel ;
- environnement de type « chambres d'hôtes » ;
- applications de restauration et collectives similaires.

Symboles d'avertissement importants concernant le transport et le lieu d'installation de l'appareil

AVERTISSEMENT

- Veillez à ce qu'aucune pièce du circuit frigorifique ne soit endommagée pendant le transport ou l'installation de l'appareil.
 - Risque d'incendie ou de lésions oculaires en cas de fuite de réfrigérant. En cas de fuite, n'approchez pas de flamme nue ou de source d'inflammation potentielle et aérez la pièce pendant plusieurs minutes.
 - Cet appareil contient une faible quantité de réfrigérant isobutane (R-600a), un gaz naturel présentant une compatibilité écologique élevée, mais qui est aussi inflammable.

Avertissements importants concernant l'installation

AVERTISSEMENT

- N'installez pas le réfrigérateur dans un lieu humide ou dans un lieu où il est susceptible d'être en contact avec de l'eau.
 - Une détérioration de l'isolation sur des composants électriques est susceptible de provoquer un choc électrique ou un incendie.
- N'installez pas le réfrigérateur dans un endroit exposé à la lumière directe du soleil ou à proximité d'une cuisinière, d'un appareil de chauffage ou d'autres appareils.
- Ne branchez pas plusieurs appareils et le réfrigérateur sur la même multiprise. Le réfrigérateur doit toujours être branché dans une prise de courant indépendante dotée d'une tension nominale correspondant à celle figurant sur la plaque signalétique du réfrigérateur.
 - Ceci permet de bénéficier de performances optimales mais également d'éviter une surcharge des circuits électriques de la maison, ce qui pourrait entraîner une surchauffe des fils et présenter un risque d'incendie.
- Ne branchez pas la fiche d'alimentation dans une prise murale mal fixée.
 - Un choc électrique ou un incendie pourraient en résulter.
- N'utilisez pas de cordon dont la gaine est craquelée ou endommagée à quelque endroit ou à l'une de ses extrémités.
- Ne pliez pas le cordon d'alimentation à l'excès et ne posez pas d'objets lourds dessus.
- Ne tirez pas ou ne pliez pas excessivement le cordon d'alimentation.
- Ne tordez pas ou ne nouez pas le cordon d'alimentation.
- N'accrochez pas le cordon d'alimentation sur un objet métallique, ne placez pas un objet lourd sur le cordon d'alimentation, n'insérez pas le cordon d'alimentation entre des objets, ou n'enfonchez pas le cordon d'alimentation dans l'espace situé derrière l'appareil.

Consignes de sécurité

- Lorsque vous déplacez le réfrigérateur, assurez-vous qu'il ne roule pas sur le cordon d'alimentation, et prenez garde de ne pas endommager ce dernier.
 - Un choc électrique ou un incendie pourraient en résulter.
- Ne débranchez jamais le réfrigérateur en tirant sur le cordon d'alimentation. Maintenez toujours fermement la fiche pour la débrancher de la prise de courant.
 - Tout dommage causé au cordon est susceptible d'entraîner un court-circuit, un incendie et/ou un choc électrique.
- N'installez pas cet appareil près d'une source de chaleur ni d'un matériau inflammable.
- N'installez pas cet appareil dans un endroit où des fuites de gaz sont susceptibles de se produire.
 - Un choc électrique ou un incendie pourraient en résulter.
- Ce réfrigérateur doit être correctement situé et installé conformément aux instructions du présent guide avant d'être utilisé.
- Branchez la fiche d'alimentation de façon à ce que le cordon pende vers le bas.
 - Si vous branchez la fiche d'alimentation à l'envers, le fil est susceptible de se rompre et de provoquer un incendie ou un choc électrique.
- Assurez-vous que la fiche d'alimentation n'est pas écrasée ou endommagée par le dos du réfrigérateur.
- Gardez les matériaux d'emballage hors de portée des enfants.
 - Il y a un risque d'asphyxie si un enfant place les matériaux d'emballage sur sa tête.
- L'appareil doit être positionné de façon à ce que la fiche reste accessible après l'installation.
 - Le non-respect de cette consigne risquerait de provoquer un choc électrique ou un incendie en raison de fuites électriques.
- N'installez pas cet appareil dans un lieu humide, huileux ou poussiéreux, ni dans un endroit exposé directement au soleil ou à l'eau (gouttes de pluie).
 - Une détérioration de l'isolation sur des composants électriques est susceptible de provoquer un choc électrique ou un incendie.
- Si de grandes quantités de poussière ou d'eau entrent dans le réfrigérateur, débranchez la fiche et prenez contact avec un centre de service Samsung Electronics.
 - Sinon, il pourrait y avoir un risque d'incendie.
- Ne montez pas sur l'appareil et ne placez pas d'objets (tels que du linge, des bougies allumées, des cigarettes allumées, de la vaisselle, des produits chimiques, des objets métalliques, etc.) sur celui-ci.
 - Le non-respect de cette consigne risque d'entraîner un choc électrique, un incendie, un dysfonctionnement de l'appareil ou des blessures corporelles.
- Vous devez retirer toutes les pellicules protectrices en plastique avant de brancher l'appareil pour la première fois.
- Les enfants doivent être sous surveillance afin de s'assurer qu'ils ne jouent pas avec les circlips utilisés pour l'ajustement de la porte ou avec les brides du tuyau d'eau.
 - Il existe un risque de mort par suffocation si un enfant avale un circlip ou une bride du tuyau d'eau. Tenez les circlips et les brides du tuyau d'eau hors de portée des enfants.

-
- Le réfrigérateur doit être correctement mis à la terre.
 - Veillez toujours à ce que le réfrigérateur soit branché à la terre avant de vérifier ou de réparer n'importe quelle partie de l'appareil. Les fuites électriques peuvent provoquer des chocs électriques graves.
 - N'utilisez jamais de conduites de gaz, de fils téléphoniques ou d'autres éléments susceptibles d'attirer la foudre pour relier l'appareil à la terre.
 - Le réfrigérateur doit être mis à la terre afin d'éviter les dissipations d'énergie ou les chocs électriques provoqués par les fuites de courant de l'appareil.
 - Le non-respect de cette consigne risque d'entraîner un choc électrique, un incendie, une explosion ou un dysfonctionnement de l'appareil.
 - Branchez fermement la fiche dans la prise murale. N'utilisez pas de fiche d'alimentation endommagée, de cordon d'alimentation endommagé ou de prise murale mal fixée.
 - Un choc électrique ou un incendie pourraient en résulter.
 - Seul un technicien qualifié ou une société de service doit être autorisé(e) à changer le fusible dans le réfrigérateur.
 - Le non-respect de cette consigne risquerait de provoquer un choc électrique ou des blessures corporelles.

Installation en toute sécurité

ATTENTION

- Laissez un espace suffisant autour du réfrigérateur et installez celui-ci sur une surface plane.
 - N'obstruez pas l'espace de ventilation à l'intérieur du réfrigérateur ou de son caisson.
- Après avoir installé et mis sous tension votre réfrigérateur, laissez l'appareil au repos pendant 2 heures avant de le remplir d'aliments.
- Il est vivement recommandé de faire appel à un technicien qualifié ou à une entreprise de dépannage pour installer le réfrigérateur.
 - Le non-respect de cette consigne risque d'entraîner un dysfonctionnement, un choc électrique, un incendie, une explosion ou des blessures corporelles.
- Si vous surchargez l'une des portes, le réfrigérateur peut se renverser et vous pouvez vous blesser.

Avertissements importants concernant l'utilisation

AVERTISSEMENT

- Ne branchez pas la prise d'alimentation si vous avez les mains mouillées.
 - Cela pourrait causer un choc électrique.
- N'entreposez pas d'objets sur le dessus de l'appareil.
 - Lors de l'ouverture ou de la fermeture de la porte, les objets pourraient tomber et provoquer des blessures corporelles et/ou des dommages matériels.

Consignes de sécurité

- Ne placez pas vos mains, vos pieds, ni des objets métalliques (baguettes métalliques, etc.) sous le réfrigérateur ou à l'arrière de celui-ci.
 - Un choc électrique ou des blessures corporelles pourraient en résulter.
 - Les bords coupants sont susceptibles de provoquer des blessures corporelles.
- Ne touchez pas les parois intérieures du congélateur ni les produits qui y sont rangés si vous avez les mains mouillées.
 - Risque de gelures.
- Ne placez pas de récipient rempli d'eau sur le réfrigérateur.
 - En cas de renversement, cela pourrait entraîner un incendie ou un choc électrique.
- Ne stockez pas d'objets ou de substances volatiles ou inflammables (benzène, diluant, propane, alcool, éther, gaz liquéfié et toute autre substance similaire) dans le réfrigérateur.
 - Le réfrigérateur a été conçu exclusivement pour le rangement de produits alimentaires.
 - Cela pourrait entraîner un incendie ou une explosion.
- Il est nécessaire de surveiller les enfants pour s'assurer qu'ils ne jouent pas avec l'appareil.
 - Maintenez les doigts éloignés des zones contenant des « points de pincement ». Le jeu entre les portes et l'armoire doit nécessairement être faible. Soyez attentif lorsque vous ouvrez les portes si des enfants se trouvent à proximité.
- Ne laissez pas les enfants se suspendre à la porte de l'appareil ou aux bacs des portes. Ils risqueraient de se blesser.
- Ne laissez pas les enfants entrer dans le réfrigérateur. Ils risqueraient de rester emprisonnés.
- Ne placez pas vos mains sous l'appareil.
 - Les bords coupants sont susceptibles de provoquer des blessures corporelles.
- Ne rangez pas de produits pharmaceutiques, chimiques ou sensibles aux températures dans le réfrigérateur.
 - Les produits nécessitant un contrôle strict de la température ne doivent pas être entreposés dans le réfrigérateur.
- Ne placez pas et n'utilisez pas d'appareils électriques à l'intérieur du réfrigérateur/congélateur sauf s'il s'agit d'un type recommandé par le fabricant.
- Si l'appareil dégage de la fumée, débranchez-le immédiatement puis prenez contact avec un centre de service Samsung Electronics.
- Si de grandes quantités de poussière ou d'eau entrent dans le réfrigérateur, débranchez la fiche et prenez contact avec votre centre de service Samsung Electronics.
 - Sinon, il pourrait y avoir un risque d'incendie.
- Ne laissez pas les enfants monter sur un bac.
 - Le bac risquerait de se casser et de provoquer leur chute.
- Ne laissez pas les portes du réfrigérateur ouvertes lorsque l'appareil n'est pas sous surveillance et ne laissez pas les enfants se glisser à l'intérieur de l'appareil.
- Ne laissez pas les bébés ou jeunes enfants monter dans un tiroir.
 - Ils pourraient s'étouffer ou se blesser.

- Ne remplissez pas trop le réfrigérateur.
 - Lors de l'ouverture de la porte, un article pourrait tomber et provoquer des blessures corporelles ou des dommages matériels.
- Ne vaporisez pas de substance volatile telle qu'un insecticide sur la surface de l'appareil.
 - Ces produits peuvent s'avérer dangereux pour la santé et risquent en outre de provoquer un choc électrique, un incendie ou un dysfonctionnement de l'appareil.
- Ne mettez jamais les doigts ni d'objets dans la sortie du distributeur d'eau, le conduit d'écoulement ou le bac à glaçons.
 - Cela pourrait provoquer des blessures corporelles ou des dommages matériels.
- N'utilisez pas ni n'entrez pas de substances thermosensibles (ex. : pulvérisateurs ou objets inflammables, glace sèche, médicaments ou produits chimiques) à proximité ou à l'intérieur du réfrigérateur.
- N'utilisez pas de séchoir à cheveux pour sécher l'intérieur du réfrigérateur. Ne placez pas de bougie allumée à l'intérieur du réfrigérateur pour en éliminer les mauvaises odeurs.
 - Un choc électrique ou un incendie pourraient en résulter.
- Remplissez le réservoir et le bac à glaçons d'eau potable uniquement (eau du robinet, eau minérale ou eau purifiée).
 - Ne remplissez pas le réservoir avec du thé, du jus ou une boisson énergisante. Cela pourrait endommager le réfrigérateur.
- Ne montez pas sur l'appareil et ne placez pas d'objets (tels que du linge, des bougies allumées, des cigarettes allumées, de la vaisselle, des produits chimiques, des objets métalliques, etc.) sur celui-ci. Le non-respect de cette consigne risque d'entraîner un choc électrique, un incendie, un dysfonctionnement de l'appareil ou des blessures corporelles. Ne placez pas de récipient rempli d'eau sur l'appareil.
 - En cas de renversement, cela pourrait entraîner un incendie ou un choc électrique.
- Ne fixez jamais directement l'ampoule DEL UV pendant une période prolongée.
 - Cela risquerait d'entraîner une fatigue oculaire due aux rayons ultraviolets.
- Ne placez pas les tablettes dans le réfrigérateur à l'envers. La butée des tablettes ne fonctionnera pas.
 - La tablette en verre pourrait tomber et provoquer des blessures corporelles.
- Maintenez les doigts éloignés des zones contenant des « points de pincement ». Le jeu entre les portes et l'armoire doit nécessairement être faible. Soyez attentif lorsque vous ouvrez les portes si des enfants se trouvent à proximité.
- Si une fuite de gaz est détectée, évitez toute flamme nue ou source potentielle d'inflammation et aérez pendant plusieurs minutes la pièce dans laquelle se trouve l'appareil.
 - Ne touchez pas à l'appareil ou au cordon d'alimentation.
 - N'utilisez pas de ventilateur.
 - Une étincelle risquerait de provoquer une explosion ou un incendie.
- Utilisez uniquement les ampoules DEL fournies par le fabricant ou son réparateur autorisé.
- Serrez les bouteilles les unes contre les autres pour éviter qu'elles ne glissent ou ne tombent.
- Cet appareil est destiné au rangement des aliments dans un environnement domestique uniquement.

Consignes de sécurité

- Ne mettez jamais les doigts ni d'objets dans la sortie du distributeur d'eau, le conduit d'écoulement ou le bac à glaçons.
 - Cela peut provoquer des blessures corporelles ou des dommages matériels.
- Ne tentez pas de réparer, démonter ou modifier le réfrigérateur vous-même.
 - Des modifications non autorisées peuvent générer des problèmes de sécurité. Pour annuler une modification non autorisée, nous facturons le coût total des pièces et de la main d'œuvre.
- N'utilisez aucun fusible (tel que du cuivre, un fil d'acier, etc.) autre qu'un fusible standard.
- Si votre réfrigérateur doit être réparé ou réinstallé, contactez le centre de service Samsung le plus près.
 - Le non-respect de cette consigne risque d'entraîner un dysfonctionnement, un choc électrique, un incendie ou des blessures corporelles.
- Veuillez contacter votre centre de service Samsung le plus près lorsque l'ampoule DEL intérieure ou extérieure est grillée.
- Si le réfrigérateur dégage une odeur de brûlé ou de la fumée, débranchez-le immédiatement et prenez contact avec un centre de service Samsung.
 - Le non-respect de cette consigne risquerait de provoquer un incendie ou un choc électrique.
- Débranchez le réfrigérateur avant de remplacer les ampoules intérieures.
 - Sinon, il pourrait y avoir un risque de choc électrique.
- Communiquez avec votre centre de service Samsung si vous éprouvez des difficultés à remplacer une ampoule (qui n'est pas une DEL).
- Si l'appareil est équipé d'ampoules DEL, ne démontez pas vous-même les caches des lampes et les ampoules.
 - Contactez un centre de service Samsung.
- Branchez fermement la fiche dans la prise murale.
- N'utilisez pas de fiche d'alimentation endommagée, de cordon d'alimentation endommagé ou de prise murale mal fixée.
 - Un choc électrique ou un incendie pourraient en résulter.

Utilisation en toute sécurité

ATTENTION

- Ne recongelez pas un aliment qui a complètement décongelé.
- Utilisez uniquement la machine à glaçons fournie avec le réfrigérateur.
- Pour un fonctionnement optimal de l'appareil :
 - Ne placez pas d'aliments trop près des orifices de ventilation à l'arrière du réfrigérateur car ils pourraient empêcher la libre circulation de l'air dans la partie réfrigération.
 - Emballez bien les aliments ou mettez-les dans des récipients hermétiques avant de les placer dans le réfrigérateur.
 - Respectez les durées de congélation et les dates de péremption associées aux aliments surgelés.
- Ne placez pas de récipients ou de bouteilles en verre ni de boissons gazeuses dans le congélateur.
 - Le récipient peut geler et se briser, ce qui peut entraîner une blessure.
- Garantie de réparation et modification.
 - Les changements et modifications apportés à cet appareil par un tiers ne sont pas couverts par le service de garantie Samsung. Samsung ne peut être tenue responsable des problèmes de sécurité résultant des modifications apportées par un tiers.
- N'obstruez pas les orifices de ventilation à l'intérieur du réfrigérateur.
 - Si les ventilations d'air sont obstruées, notamment par un sac en plastique, le réfrigérateur risque de trop refroidir. Une période de refroidissement trop longue risque d'endommager le filtre à eau et de provoquer des fuites.
- Si le réfrigérateur est débranché de la prise d'alimentation, patientez au moins cinq minutes avant de le rebrancher.
- Si de grandes quantités d'eau entrent dans le réfrigérateur, débranchez la fiche d'alimentation et prenez contact avec un centre de service Samsung.
- Ne frappez pas une surface en verre ou n'y appliquez pas une force excessive.
 - Du verre brisé pourrait entraîner des blessures corporelles et/ou des dommages.
- Remplissez le réservoir et le bac à glaçons d'eau potable uniquement (eau du robinet, eau minérale ou eau purifiée).
 - Ne remplissez pas le réservoir avec du thé, du jus ou une boisson énergisante. Cela pourrait endommager le réfrigérateur.
- Si le réfrigérateur est inondé, coupez l'alimentation de ce dernier et prenez contact avec votre centre de service Samsung le plus près.
 - Un choc électrique ou un incendie pourraient en résulter.
- Ne conservez pas d'huile végétale dans les bacs de la porte de votre réfrigérateur. L'huile risque de se solidifier, de prendre un goût infect et de devenir difficile à utiliser. De plus, le récipient ouvert peut fuir et l'huile qui a coulé risque de faire fissurer le bac de la porte. Après avoir ouvert un récipient d'huile, le mieux est de le conserver dans un endroit frais et à l'abri de la lumière, comme un placard ou un cellier.
 - Exemples d'huile végétale : huile d'olive, huile de maïs, huile de pépins de raisin, etc.

Consignes de sécurité

Nettoyage en toute sécurité

ATTENTION

- Ne vaporisez pas directement de l'eau à l'intérieur ou à l'extérieur du réfrigérateur.
 - Risque d'incendie ou de choc électrique.
- N'utilisez pas de séchoir à cheveux pour sécher l'intérieur du réfrigérateur.
- Ne placez pas de bougie allumée à l'intérieur du réfrigérateur pour en éliminer les mauvaises odeurs.
 - Un choc électrique ou un incendie pourraient en résulter.
- Ne vaporisez pas de produit de nettoyage directement sur l'écran.
 - Les caractères imprimés risqueraient de s'effacer.
- Si un corps étranger tel que de l'eau a pénétré dans l'appareil, débranchez ce dernier et contactez le centre de service Samsung le plus près.
 - Le non-respect de cette consigne risquerait de provoquer un incendie ou un choc électrique.
- Utilisez un chiffon propre et sec pour éliminer toute poussière ou corps étranger des lames de la fiche d'alimentation. N'utilisez pas de chiffon mouillé ou humide lors du nettoyage de la prise.
 - Sinon, il pourrait y avoir un risque d'incendie ou de choc électrique.
- Ne nettoyez pas l'appareil en vaporisant de l'eau directement sur celui-ci.
- N'utilisez pas de benzène, de diluant ou d'eau de Javel (Clorox) pour le nettoyage du réfrigérateur.
 - Ces produits risquent d'endommager la surface de l'appareil et de provoquer un incendie.
- Ne mettez jamais les doigts ni d'objets dans la sortie du distributeur.
 - Cela peut provoquer des blessures corporelles ou des dommages matériels.
- Débranchez l'appareil de la prise murale avant de le nettoyer et d'en faire l'entretien.
 - Le non-respect de cette consigne risquerait de provoquer un incendie ou un choc électrique.
- Utilisez une éponge propre ou un chiffon doux avec un nettoyant doux et de l'eau tiède pour nettoyer le réfrigérateur.
- N'utilisez pas de nettoyants abrasifs ou agressifs (produits à vitres, produits de décapage, liquides inflammables, acide chlorhydrique, cires nettoyantes, produits de nettoyage concentrés, agents de blanchissage ou produits de nettoyage contenant du pétrole) sur les surfaces extérieures (portes et meuble), les pièces en plastique, les revêtements intérieurs et de la porte, et les joints.
 - Ces produits risquent de rayer ou d'endommager le matériau.
- Ne nettoyez pas les clayettes en verre ou les caches avec de l'eau tiède lorsqu'ils sont froids. Les clayettes en verre et les caches risquent de se casser s'ils sont exposés à des changements soudains de température ou à des chocs (coups ou chutes).

Avertissements importants concernant la mise au rebut

AVERTISSEMENT

- Les enfants qui se retrouvent coincés à l'intérieur peuvent se blesser ou suffoquer et en mourir.
- Jetez le matériel d'emballage de cet appareil dans le respect de l'environnement.
- Assurez-vous qu'aucun des tuyaux situés à l'arrière du réfrigérateur n'est endommagé avant sa mise au rebut.
- Cet appareil contient du R-600a, un gaz inflammable utilisé comme réfrigérant. Pour obtenir des renseignements sur la mise au rebut en toute sécurité de cet appareil, veuillez prendre contact avec les autorités locales.
- Lors de la mise au rebut de ce réfrigérateur, retirez la porte/les joints de porte ainsi que le loquet de la porte afin que des petits enfants ou des animaux ne puissent pas se retrouver enfermés à l'intérieur. Il est nécessaire de surveiller les enfants pour s'assurer qu'ils ne jouent pas avec l'appareil.
 - S'il se retrouve emprisonné à l'intérieur, l'enfant risquerait de se blesser ou de s'asphyxier.
- Du cyclopentane est utilisé comme isolant. Les gaz utilisés pour l'isolation nécessitent une procédure d'élimination spéciale. Pour obtenir des renseignements sur la façon écologique de mettre cet appareil au rebut, veuillez prendre contact avec les autorités locales.
- Conservez les matériaux d'emballage hors de portée des enfants, car ils présentent un danger pour ces derniers.
 - Un enfant pourrait suffoquer s'il met sa tête dans un sac.

Installation

Avant toute utilisation, respectez scrupuleusement ces consignes pour assurer une installation adéquate du réfrigérateur et éviter les accidents.

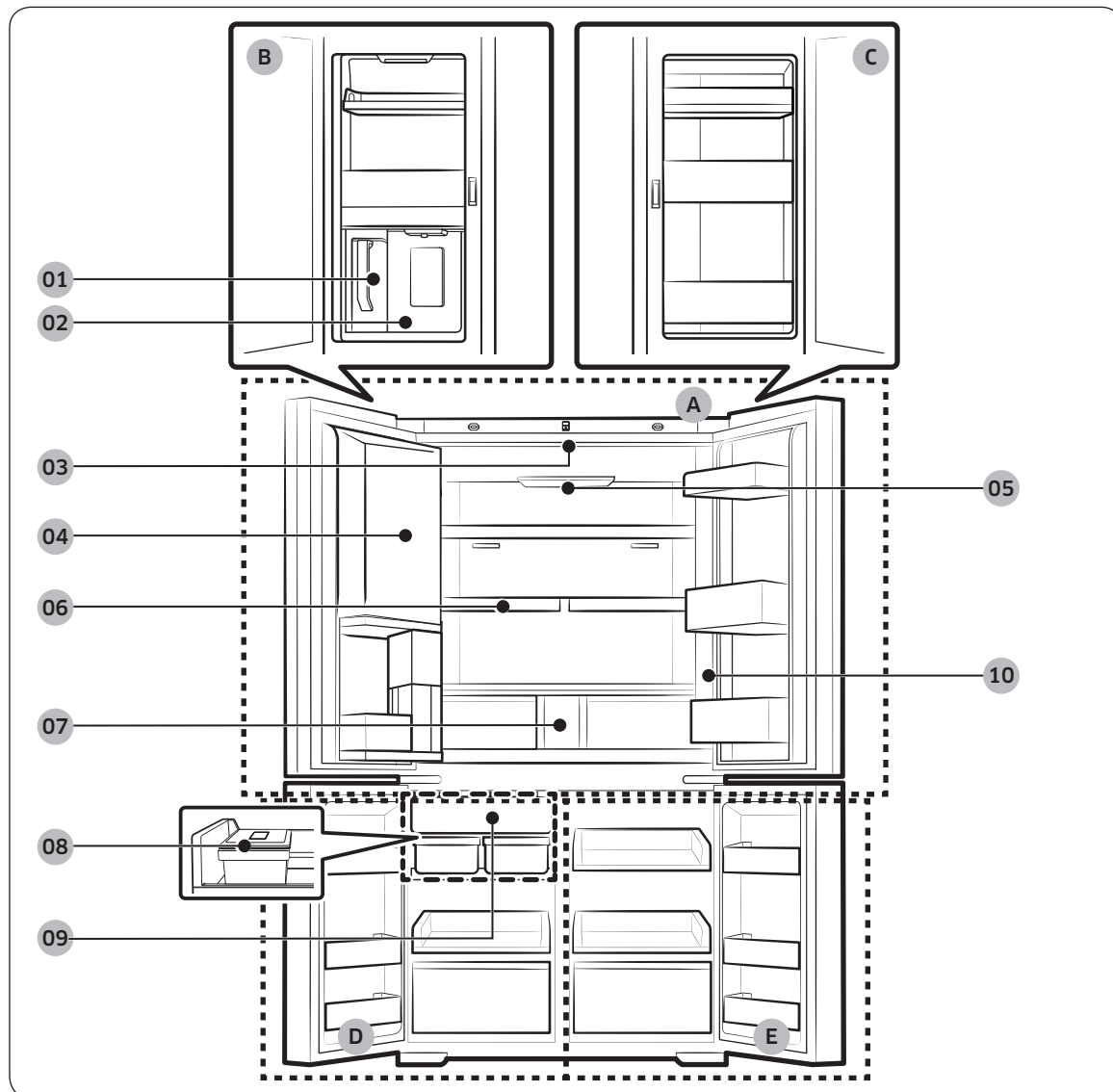
AVERTISSEMENT

- N'utilisez ce réfrigérateur que conformément à l'usage auquel il est destiné, en suivant scrupuleusement les instructions du manuel.
- Toute opération de maintenance doit être effectuée par un technicien qualifié.
- Jetez le matériel d'emballage de cet appareil conformément aux réglementations locales.
- Pour éviter tout risque de choc électrique, débranchez la fiche d'alimentation avant d'effectuer l'entretien ou le remplacement de pièces.

Présentation rapide du réfrigérateur

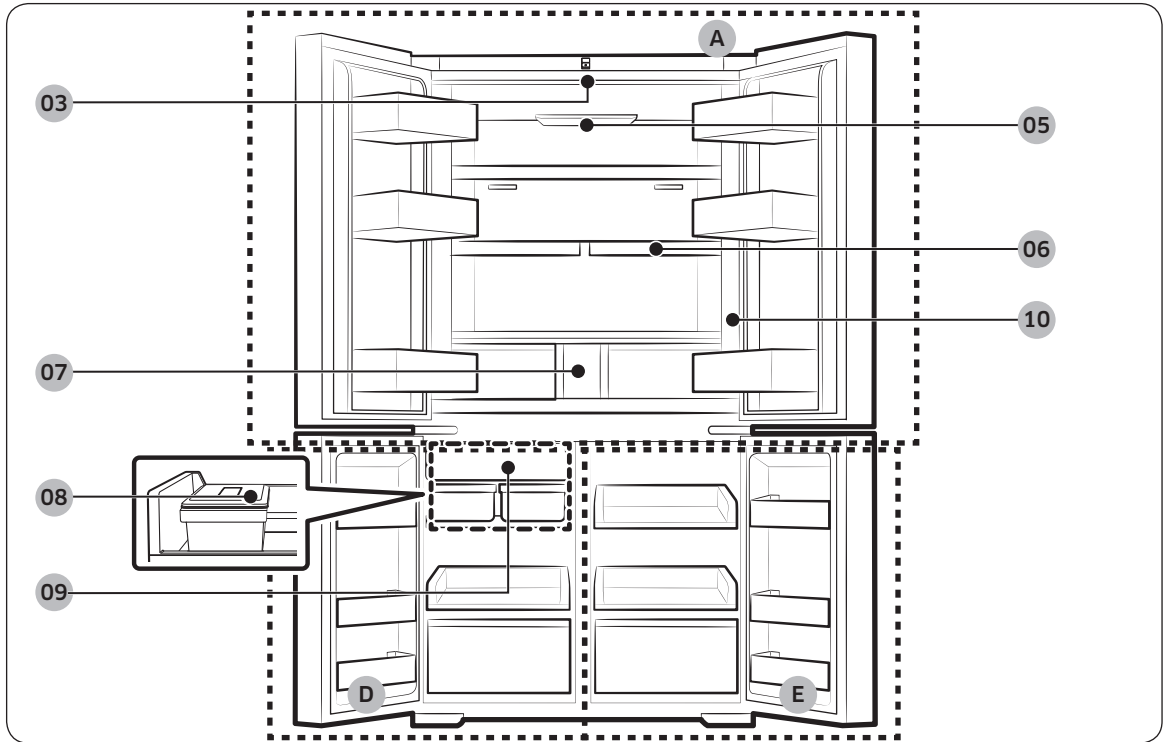
Le réfrigérateur et les composants fournis peuvent différer des illustrations présentées dans ce manuel selon les modèles et les pays.

Type A



Installation

Type B



- 01 Pichet à remplissage automatique **
- 02 Distributeur d'eau **
- 03 Caméra *
- 04 Zone pour boissons *
- 05 Filtre désodorisant UV *
- 06 Clayette de gain d'espace rapide
- 07 Filtre à eau **
- 08 Bac à glaçons *
- 09 Machine à glaçons automatique **
- 10 Panneau principal * (modèles classiques)

- A. Réfrigérateur
- B. Centre de boissons **
- C. Porte vitrine *
- D. Congélateur
- E. Zone ajustable

* Modèles applicables uniquement

** Modèles à distributeur uniquement

 **REMARQUE**

- Pour assurer l'efficacité énergétique de l'appareil, gardez les clayettes, tiroirs et corbeilles dans leur position d'origine.
- Lorsque vous fermez la porte, assurez-vous que la section à charnière verticale est correctement positionnée afin d'éviter que l'autre porte ne soit rayée.
- Si la section à charnière verticale est inversée, remettez-la correctement en place et fermez la porte.
- Il se peut que de l'humidité se forme parfois sur la section à charnière verticale.
- Si vous forcez la fermeture d'une porte, il est possible que l'autre porte s'ouvre.
- Si l'ampoule à DEL interne ou externe est hors service, contactez un centre de service Samsung local.

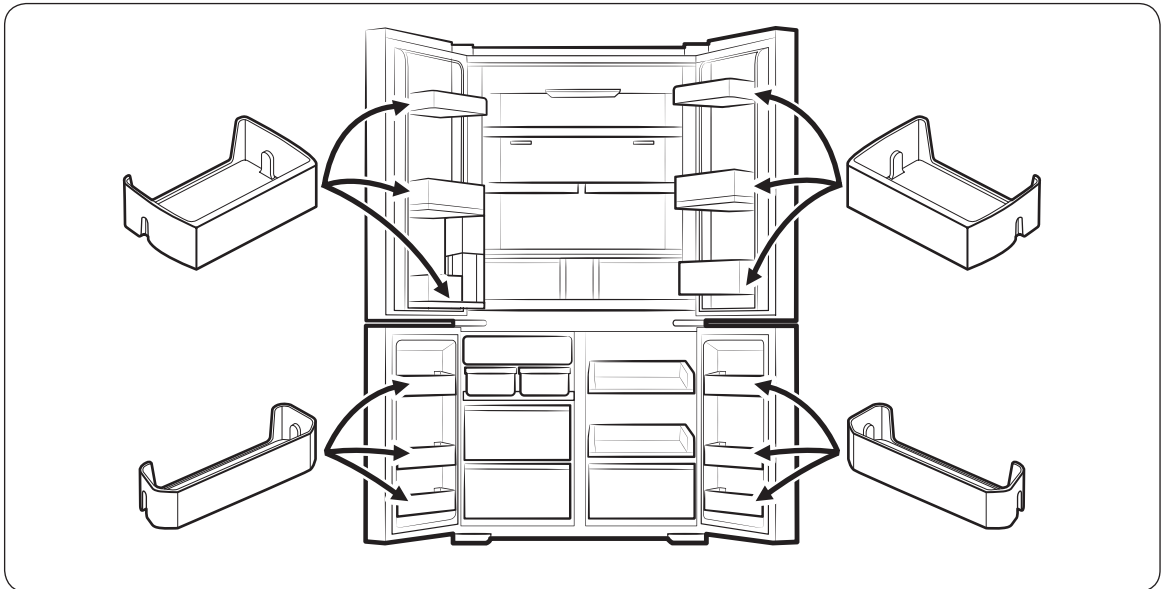
Installation

Bacs de la porte

Les portes de votre réfrigérateur sont dotées de bacs de différents types et de différentes tailles. Si les bacs des portes de votre réfrigérateur étaient emballés séparément, utilisez l'illustration ci-dessous pour vous aider à les positionner de façon appropriée.

REMARQUE

Le réfrigérateur et les composants fournis peuvent différer des illustrations présentées dans ce manuel selon les modèles et les pays.



Installation étape par étape

ÉTAPE 1 Sélectionner un site

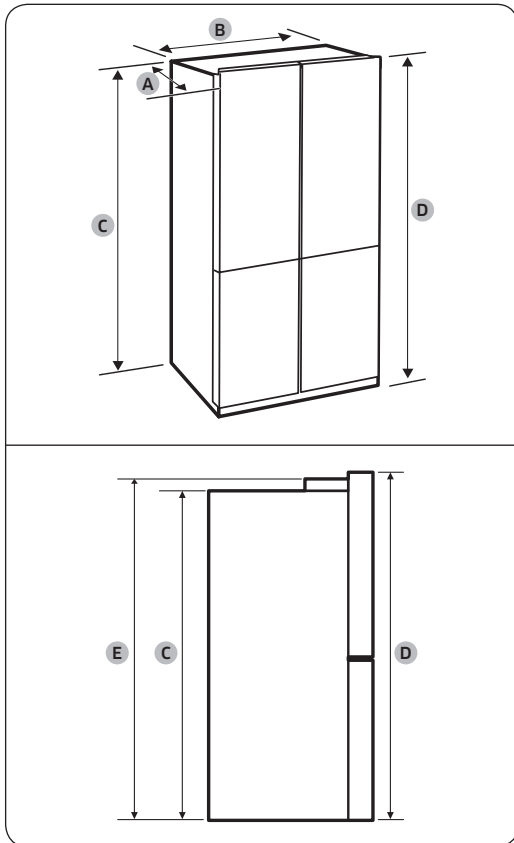
Le site doit :

- avoir une surface stable et plane sans moquette et sans revêtement de sol pouvant obstruer la ventilation ;
- être à l'abri de la lumière directe du soleil ;
- disposer d'un espace adéquat pour ouvrir et fermer la porte ;
- être éloigné de toute source de chaleur ;
- laisser un espace suffisant pour effectuer des travaux de maintenance et d'entretien ;
- se trouver dans une plage de températures comprise entre 50 °F (10 °C) et 110 °F (43 °C).

Installation

Espace

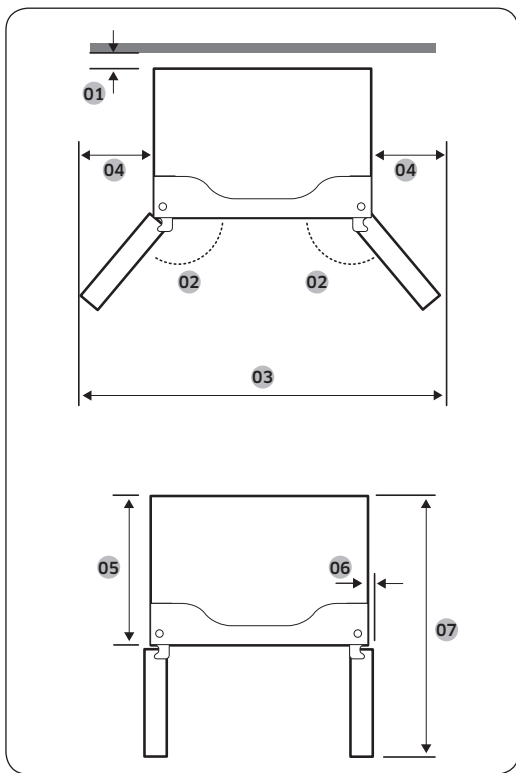
Reportez-vous aux images et au tableau ci-dessous, ainsi qu'à la page suivante, pour connaître les exigences d'espace pour l'installation.



- A. Profondeur
- B. Largeur
- C. Hauteur (sans charnière)
- D. Hauteur totale
- E. Hauteur (avec charnière)

Modèle	RF23DB*****	RF23DC*****
A	28 3/4" (731 mm)	28 1/2" (723 mm)
B	35 7/8" (912 mm)	
C	70 3/4" (1797 mm)	
D	73" (1853 mm)	72" (1830 mm)
E	72" (1830 mm)	

Modèle	RF29DB*****	RF29DC*****
A	34 1/4" (869 mm)	33 7/8" (861 mm)
B	35 7/8" (912 mm)	
C	70 3/4" (1797 mm)	
D	73" (1853 mm)	72" (1830 mm)
E	72" (1830 mm)	



Modèle	RF23D*****	RF29D*****
01	Recommandation : plus de 50 mm	
02	125°	
03	59" (1498 mm)	
04	11 3/4" (295 mm)	
05	24" (610 mm)	29 3/8" (748 mm)
06	2 1/4" (55 mm)	
07	43" (1093 mm)	48 1/2" (1231 mm)

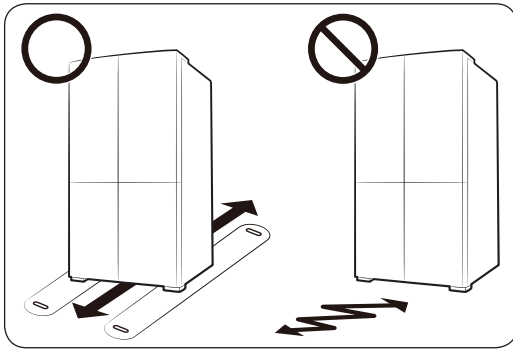
REMARQUE

Les mesures de votre réfrigérateur peuvent différer de celles répertoriées ci-dessus, en fonction de la méthode de mesure.

Installation

ÉTAPE 2 Sol

Si le réfrigérateur ne passe pas au niveau de la porte d'entrée en raison de sa taille, consultez la section **Retrait de la porte** pour le passage de la porte d'entrée.



REMARQUE

Afin de ne pas endommager le sol, assurez-vous que les pieds avant de mise à niveau sont relevés.

- La surface d'installation du réfrigérateur doit supporter le poids d'un réfrigérateur plein.
- Afin de protéger le sol, placez un grand carton jusqu'à l'endroit où vous souhaitez installer le réfrigérateur.
- Lorsque le réfrigérateur se trouve dans sa position finale, ne le déplacez plus sauf si cela est nécessaire pour protéger le sol. Si vous devez déplacer le réfrigérateur, mettez du papier ou un chiffon épais tel qu'un morceau de vieille moquette le long du déplacement.

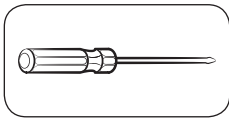
ÉTAPE 3 Retrait de la porte pour le passage de la porte d'entrée

Si le réfrigérateur ne peut pas passer la porte d'entrée de votre maison ou de votre cuisine en raison de sa taille, suivez ces instructions pour retirer et remettre en place les portes du réfrigérateur. S'il ne vous est pas nécessaire de retirer les portes, consultez la procédure d'installation en page 33.

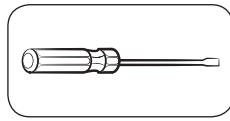
AVERTISSEMENT

Débranchez le cordon d'alimentation du réfrigérateur avant de retirer les portes.

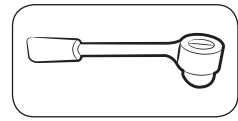
Outils requis (non fournis)



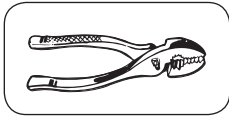
Tournevis cruciforme



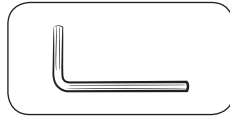
Tournevis à tête plate



Clé à douille $\frac{3}{8}$ " (10 mm)

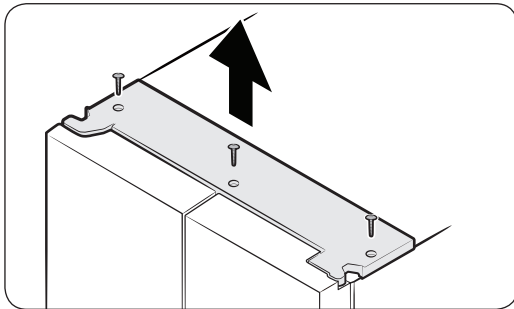


Pincés



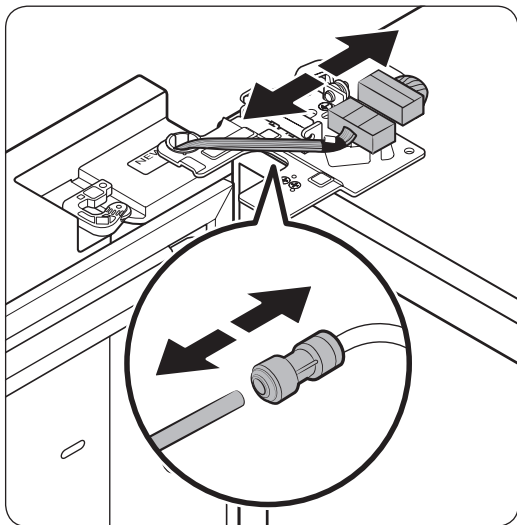
Clé hexagonale $\frac{1}{4}$ " (5 mm)

Démonter les portes du réfrigérateur



1. Après avoir fermé les portes, utilisez un tournevis cruciforme pour retirer les vis (x3) au niveau du cache supérieur. Tirez le cache supérieur vers le haut pour le retirer avec les connecteurs.

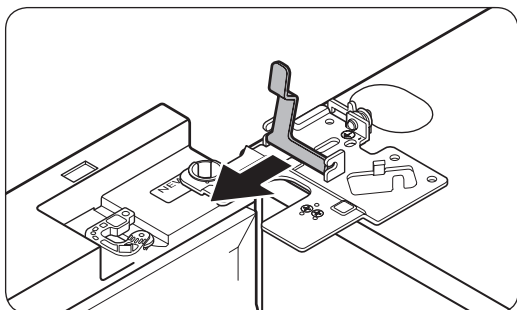
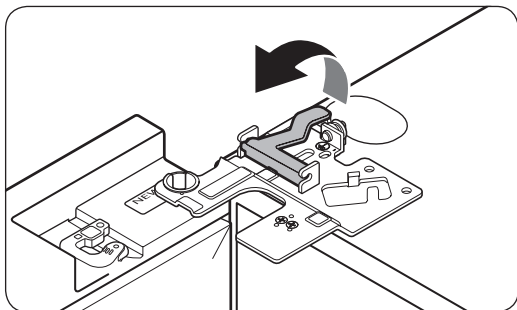
Installation



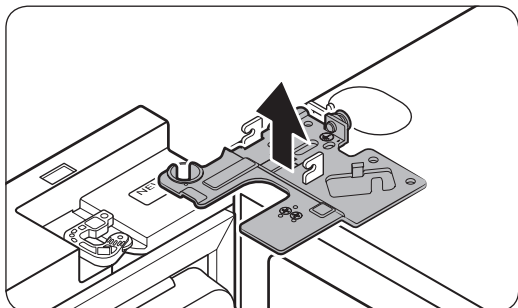
2. Débranchez les deux serre-fils sur la porte gauche. La position des connecteurs diffère selon le modèle.

⚠ ATTENTION

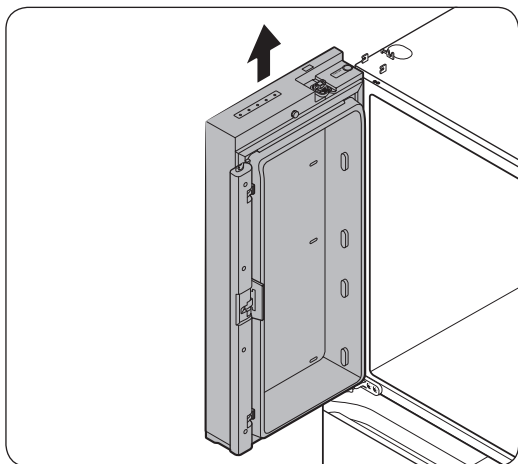
- Ne retirez pas les deux portes simultanément. Assurez-vous de retirer une seule porte à la fois. Sinon, l'une des portes peut tomber et entraîner des blessures.
 - Assurez-vous que le réfrigérateur est hors tension avant de débrancher les connecteurs.
3. Débranchez le tuyau d'eau au niveau du coupleur sur la porte gauche, comme indiqué.
 - Cette étape ne s'applique pas aux modèles qui ne sont pas équipés de la fonction Pichet à remplissage automatique et du distributeur d'eau.
 4. Tirez doucement le collier en plusieurs étapes. Pour éviter de vous blesser les doigts, n'exercez pas de pression soudaine sur le collier.



5. Tirez le collier vers le haut pour le retirer.



6. Ouvrez la porte à 90 degrés. Tout en tenant la porte, soulevez et retirez la charnière supérieure. Prenez garde à ne pas endommager les fils des connecteurs lors du démontage de la charnière.



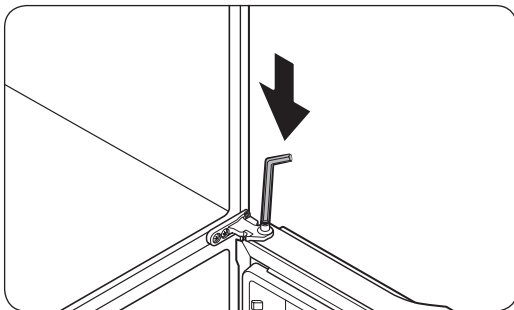
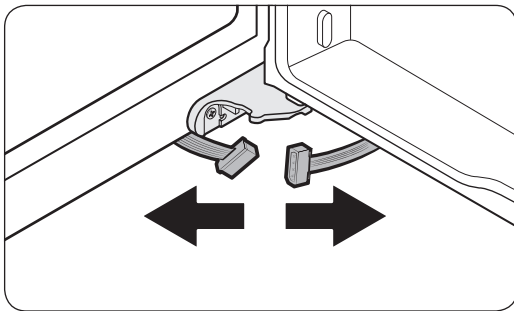
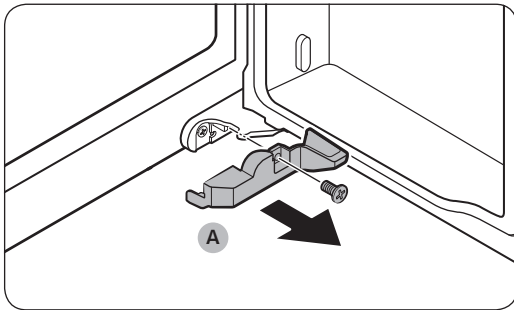
7. Tirez doucement la porte vers le haut à la verticale pour la retirer. N'exercez pas de pression excessive sur la porte. La porte peut tomber et entraîner des blessures.
8. Allongez la porte sur une surface plane.
9. Recommencez les étapes 1 à 8 pour l'autre porte, sauf pour l'étape 3. Il n'y a aucun tuyau d'eau sur la porte côté droit.
 - L'étape 2 ne s'applique pas aux modèles qui ne sont pas équipés de la porte vitrine.

Installation

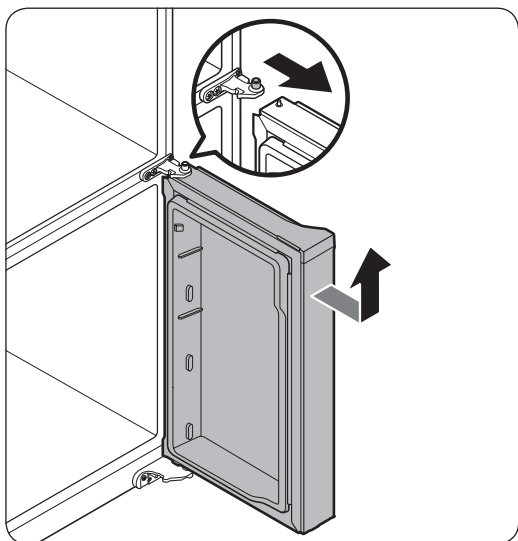
Démonter les portes du congélateur

ATTENTION

- Assurez-vous de retirer les portes du réfrigérateur avant celles du congélateur.
- Faites preuve de prudence lors du débranchement des connecteurs inférieurs.



1. Ouvrez la porte du congélateur.
2. Utilisez un tournevis cruciforme pour retirer la vis qui maintient en place le cache (A).
 - Cette étape n'est valable que pour la porte droite du congélateur (porte Zone ajustable).
3. Débranchez les serre-fils.
 - Cette étape n'est valable que pour la porte droite du congélateur (porte Zone ajustable).
4. Repérez l'arbre de la charnière. Tout en tenant la porte avec une main, utilisez un tournevis à tête plate ou une clé hexagonale pour appuyer sur l'arbre. Assurez-vous de bien tenir la porte afin d'éviter qu'elle ne tombe.

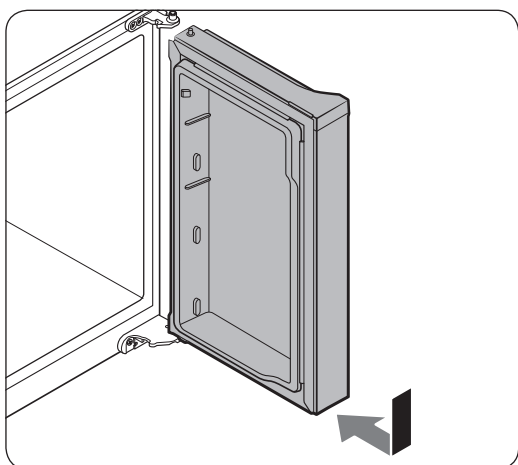


5. Pour éviter tout contact avec la charnière centrale, inclinez légèrement la porte en avant puis soulevez-la pour la retirer.
6. Recommencez les étapes 1 à 5 pour l'autre porte, sauf pour les étapes 2 et 3.

Réinstallation des portes du congélateur

⚠ ATTENTION

- Les portes du congélateur doivent être remises en place avant celles du réfrigérateur.
- Veillez à ne pas endommager ou à ne pas marcher sur les fils pendant ce processus.

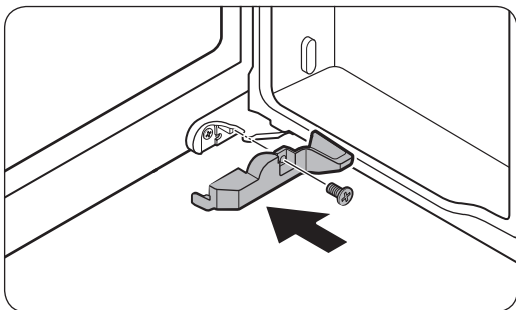
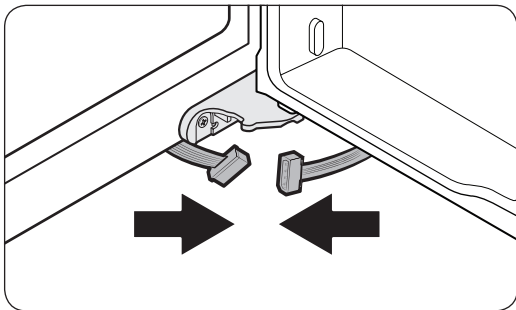
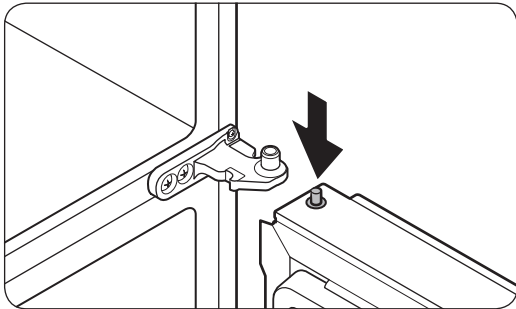


1. Insérez la porte du congélateur dans la charnière inférieure, tout en la poussant dans le sens de la flèche.

⚠ ATTENTION

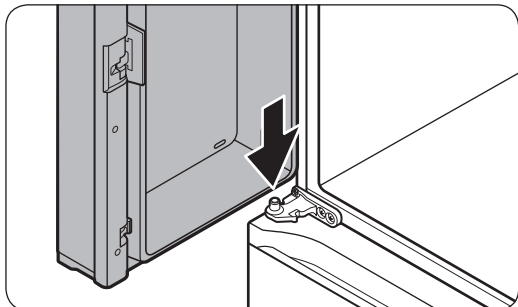
- Veillez à ne pas endommager ou à ne pas marcher sur les fils pendant ce processus.

Installation

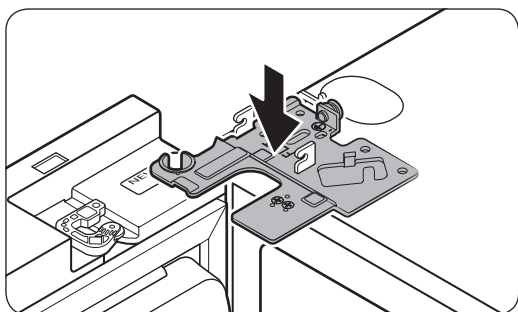


2. Tout en appuyant sur l'arbre de charnière de la porte, positionnez la porte de sorte que l'arbre de charnière se trouve en-dessous du trou de l'arbre dans la charnière centrale. Relâchez l'arbre de la charnière de sorte qu'il pénètre dans le trou de l'arbre.
3. Après avoir ouvert la porte, branchez les connecteurs inférieurs dans le sens des flèches.
 - Cette étape n'est valable que pour la porte droite du congélateur (porte Zone ajustable).
4. Fixez le cache à l'aide d'un tournevis cruciforme. Veillez à ne pas endommager ou à ne pas marcher sur les connecteurs.
 - Cette étape n'est valable que pour la porte droite du congélateur (porte Zone ajustable).
5. Recommencez les étapes 1 à 5 pour l'autre porte, sauf pour les étapes 3 et 4.

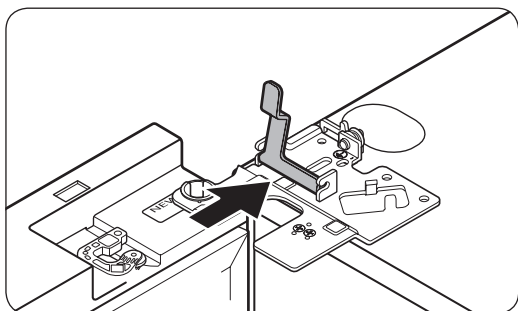
Réinstaller les portes du réfrigérateur



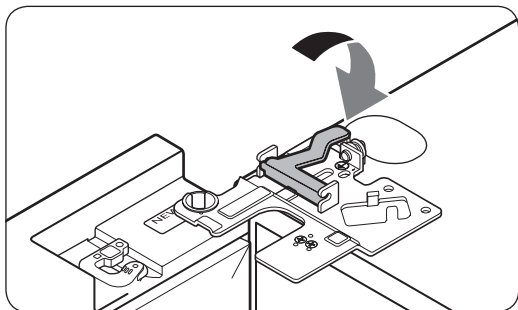
1. Tout en maintenant la porte ouverte à plus de 90 degrés, insérez l'arbre sur la charnière centrale dans le trou situé au bas de la porte.



2. Mettez la charnière supérieure en position sur le haut du réfrigérateur, puis insérez l'arbre de la charnière dans le trou supérieur de la porte. Assurez-vous que les fils de la porte passent à travers le trou dans l'arbre de la charnière.

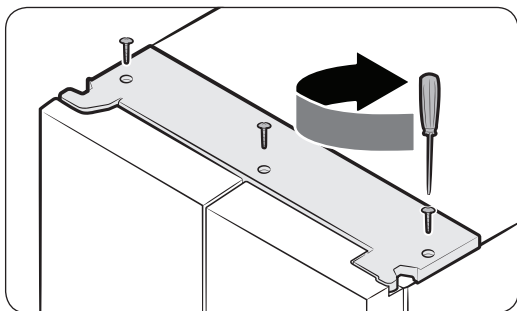
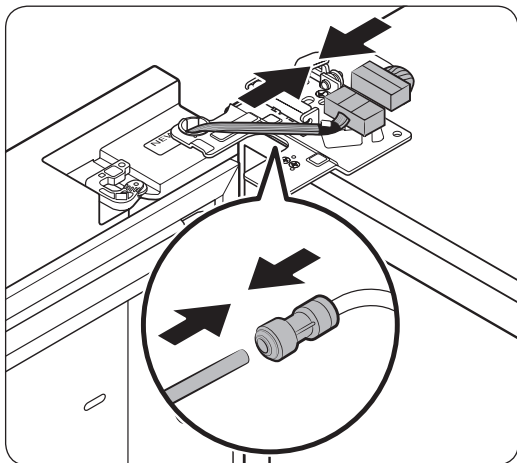


3. Insérez le collier dans le sens de la flèche.



4. Repoussez le collier comme indiqué.

Installation



5. Branchez les serre-fils.

⚠ ATTENTION

- Assurez-vous que les serre-fils sont correctement branchés. Si ce n'est pas le cas, l'écran ne fonctionnera pas.
6. Raccordez le tuyau d'eau.
- Cette étape ne s'applique pas aux modèles qui ne sont pas équipés de la fonction Pichet à remplissage automatique et du distributeur d'eau.

⚠ ATTENTION

- Pour éviter des fuites d'eau, assurez-vous que les brides rouges serrent le coupleur de façon appropriée.
 - Gardez les brides hors de la portée des enfants.
7. Recommencez les étapes 1 à 5 pour l'autre porte.
- L'étape 5 ne s'applique pas aux modèles qui ne sont pas équipés de la porte vitrine.
8. Remettez le cache supérieur en place en commençant par l'avant, puis appuyez derrière pour le mettre en position. Ensuite, serrez les vis (x3).

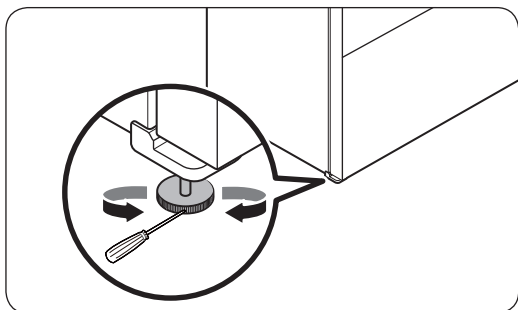
ÉTAPE 4 Mise à niveau du réfrigérateur

Réglage de la hauteur à l'avant

ATTENTION

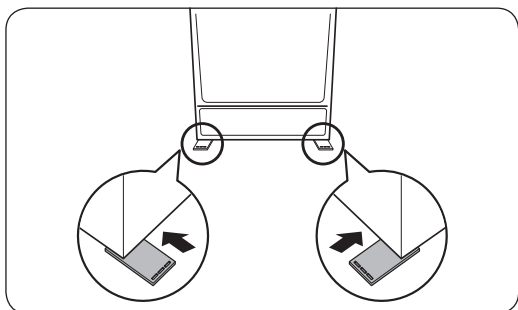
- Une fois installé, le réfrigérateur doit être mis à niveau sur un sol plat et solide. Ne pas mettre à niveau le réfrigérateur peut causer des dommages sur le réfrigérateur ou des blessures corporelles.
- La mise à niveau doit être effectuée sur un réfrigérateur vide. Assurez-vous qu'aucun aliment n'est encore présent à l'intérieur du réfrigérateur.
- Pour des raisons de sécurité, l'avant doit être légèrement plus élevé que l'arrière.

Mettez à niveau le réfrigérateur en utilisant des vis spéciales (de mise à niveau) sur les pieds avant. Utilisez un tournevis à tête plate pour tourner les vis de mise à niveau.



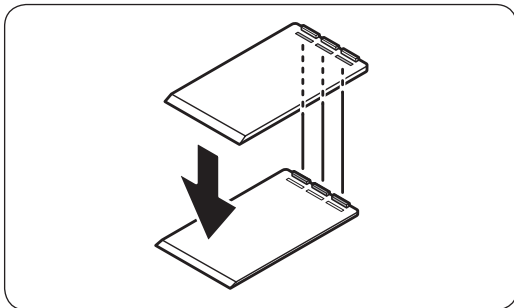
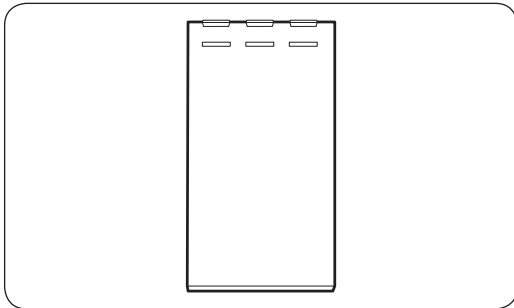
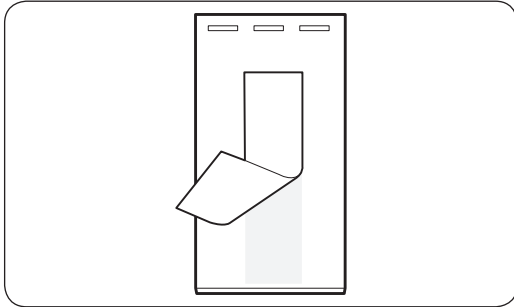
Insérez un tournevis à tête plate dans la vis de mise à niveau du pied avant gauche ou droit. Faites tourner la vis de mise à niveau dans le sens horaire pour relever l'appareil ou dans le sens antihoraire pour l'abaisser.

Réglage de la hauteur à l'arrière (modèles applicables uniquement)



Si vous devez rehausser l'arrière du réfrigérateur pour le mettre de niveau, vous pouvez utiliser le (ou les) patins de mise à niveau fournis. Suivez ces instructions pour rehausser l'arrière du réfrigérateur.

Installation



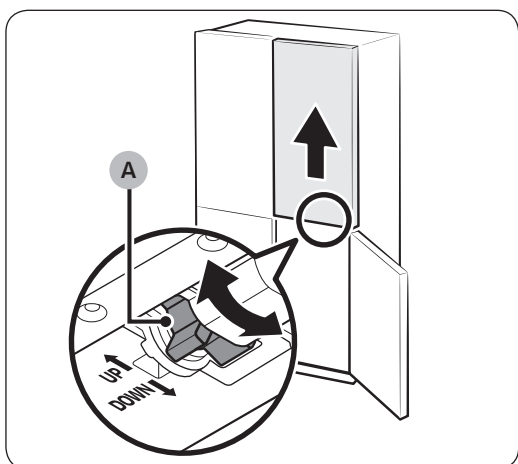
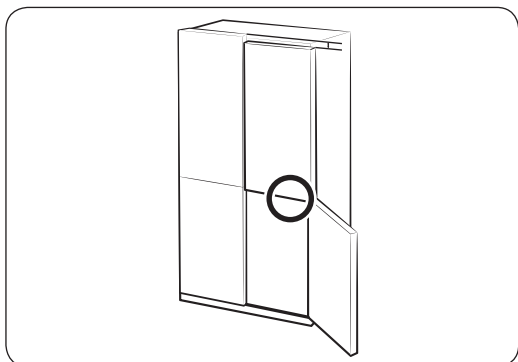
1. Choisissez l'emplacement au sol où vous devez fixer le patin de mise à niveau.
2. Retirez le film du ruban double face à l'arrière du patin de mise à niveau.
3. Fixez le patin de mise à niveau au sol.
4. Si vous avez encore besoin de rehausser l'arrière, fixez un autre patin de mise à niveau par-dessus le premier.

REMARQUE

- Vous pouvez ignorer cette étape si vous pouvez mettre le réfrigérateur de niveau à l'aide d'un patin de fixation unique.
- Assurez-vous que les nervures sur le premier patin de mise à niveau sont insérées dans les rainures du deuxième patin de mise à niveau.

ÉTAPE 5 Ajustement de la hauteur de la porte

Réglage de la hauteur à l'aide du levier de réglage de la hauteur (modèles applicables uniquement)

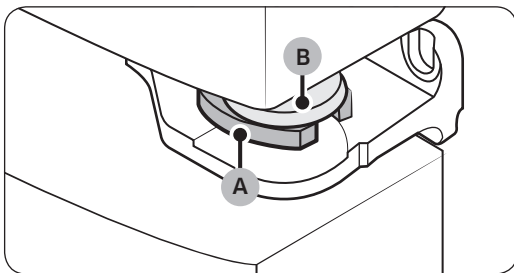
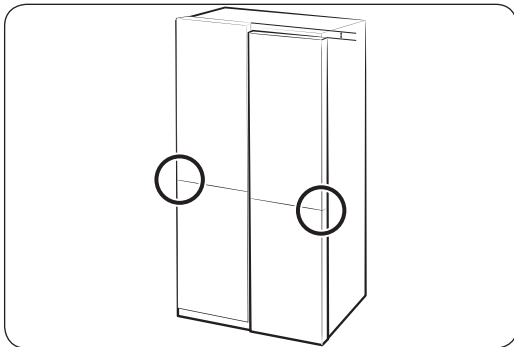
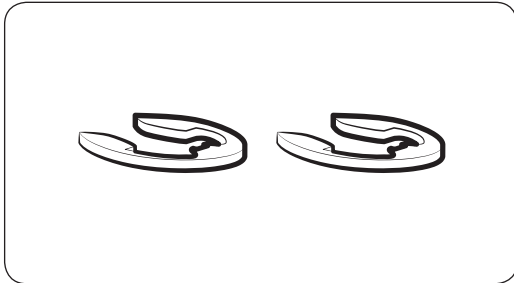


- Avant d'aligner la hauteur de la porte, vérifiez que le réfrigérateur est de niveau. Pour cela, utilisez les pieds de mise à niveau.
- Vous pouvez utiliser le levier de réglage de la hauteur, situé en bas de la porte droite du réfrigérateur. Ouvrez la porte droite du congélateur en maintenant les deux portes du réfrigérateur fermées, puis utilisez le levier de réglage de la hauteur pour régler la hauteur de la porte.
- Tournez le levier de réglage de la hauteur (A) jusqu'à ce que les deux portes soient alignées en haut. Tournez le levier vers le haut (en direction du marquage « UP ») pour relever la porte droite et tournez-le vers le bas (en direction du marquage « DOWN ») pour l'abaisser.
- Soulevez légèrement la porte du réfrigérateur pour faciliter l'alignement. La hauteur maximale réglable est de 3 mm.
 - Le levier ne tournera pas au-delà de cette limite maximale. Il risque d'émettre un bruit si vous le tournez excessivement.
 - Une hauteur excessive risque d'interférer avec le cache de la charnière supérieure sur la porte du réfrigérateur.
- Si vous alignez la hauteur de la porte alors que les bacs de la porte sont vides, puis que vous placez des articles dans les bacs, les hauteurs peuvent être de nouveau différentes. Si tel est le cas, suivez les étapes ci-dessus pour réaligner les portes.

Installation

Réglage de la hauteur à l'aide des circlips

Pour les modèles dont le levier de réglage de la hauteur se trouve sur la porte droite du réfrigérateur, utilisez les circlips uniquement si vous ne pouvez pas aligner les portes à l'aide du levier de réglage de la hauteur.



REMARQUE

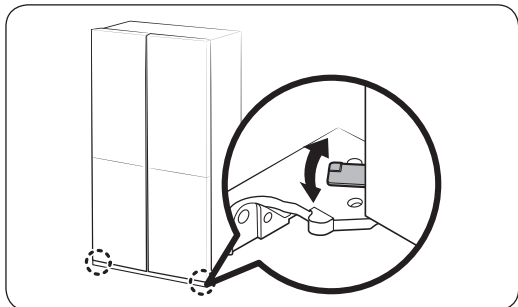
La hauteur d'une porte peut être ajustée à l'aide des circlips fournis, qui sont disponibles dans 4 tailles différentes (1 mm, 1,5 mm, 2 mm et 2,5 mm).

1. Vérifiez la différence de hauteur entre les portes, puis soulevez et maintenez la porte avec la hauteur inférieure.
2. Insérez un circlip (A) de taille appropriée entre l'œillet de la porte (B) et la charnière, comme indiqué.

ATTENTION

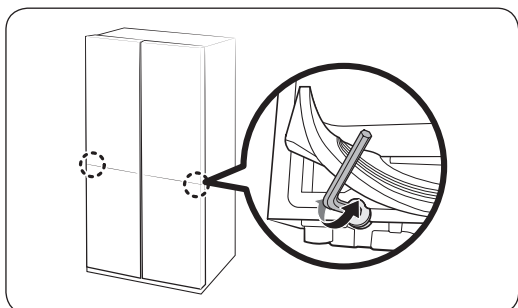
- Insérez uniquement un seul circlip. Si vous insérez deux circlips ou plus, ils pourraient glisser et tomber ou émettre un bruit de frottement.
- Tenez les circlips hors de la portée des enfants et conservez-les pour une utilisation ultérieure.
- Ne soulevez trop la porte non plus. La porte peut entrer en contact avec le cache supérieur et l'endommager.

Réglage de la hauteur des portes du congélateur (modèles applicables uniquement)



- Avant d'aligner la hauteur de la porte, vérifiez que le réfrigérateur est de niveau. Pour cela, utilisez les pieds de mise à niveau.
- Vous pouvez régler la hauteur des deux portes du congélateur à l'aide du levier situé sur la charnière inférieure.
- Ouvrez la porte, soulevez légèrement, puis tournez le levier vers la gauche ou la droite pour régler la hauteur.

Réglage de l'écart entre les portes du réfrigérateur et le corps principal de l'appareil (modèles applicables uniquement)



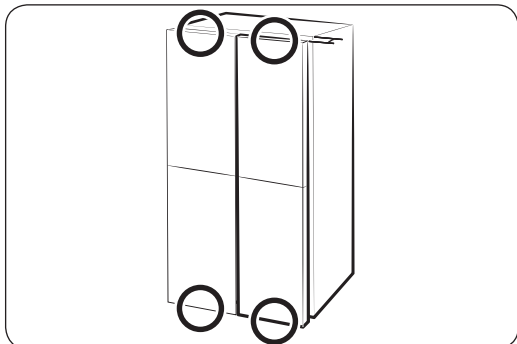
- Vous pouvez régler l'écart entre les deux portes du réfrigérateur et le corps principal de l'appareil à l'aide du boulon de réglage situé en bas du compartiment réfrigérateur.
- Soulevez le joint de la porte pour dévoiler le boulon de réglage situé dessous. Utilisez la clé hexagonale de 4 mm pour régler l'écart.

⚠ ATTENTION

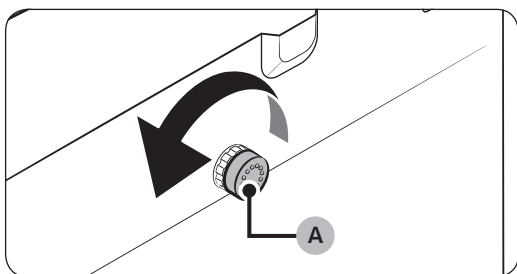
Assurez-vous d'avoir solidement réinstallé le joint. Dans le cas contraire, de l'air froid risque de fuir du réfrigérateur.

Installation

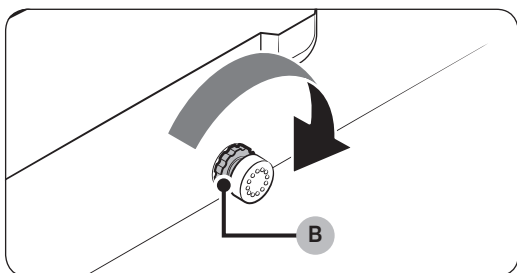
Réglage de l'écart entre les portes et le corps principal du réfrigérateur (modèles applicables uniquement)



Vous pouvez régler l'écart entre les quatre portes et le corps principal du réfrigérateur à l'aide de la molette de réglage. (Reportez-vous à l'illustration pour connaître l'emplacement de la molette de réglage.)



1. Ouvrez la porte qui est plus proche du corps principal que les autres. Ensuite, tournez la **molette de réglage (A)** dans le sens antihoraire jusqu'à ce que l'écart devienne identique aux autres.



2. Après avoir réglé l'écart, tournez le **contre-écrou (B)** pour verrouiller la **molette de réglage**.

REMARQUE

Chaque fois que vous tournez la **molette de réglage**, l'écart est réglé par incréments de 1 mm. Toutefois, il se peut que la porte ne ferme pas correctement si vous réglez la porte de plus de 1,5 mm.

ÉTAPE 6 Raccorder la conduite d'eau

Vous devez raccorder une conduite d'eau de l'arrivée d'eau principale à votre réfrigérateur pour pouvoir utiliser le distributeur d'eau ou la machine à glaçons automatique. Un filtre à eau est fourni pour éliminer les particules indésirables provenant de l'arrivée d'eau principale, mais il ne stérilise et n'élimine pas les microorganismes présents dans l'eau, et vous devrez peut-être acheter un système de purification d'eau pour assurer cette fonction.

Pression de l'eau

La pression de l'eau arrivant au réfrigérateur doit remplir les exigences suivantes :

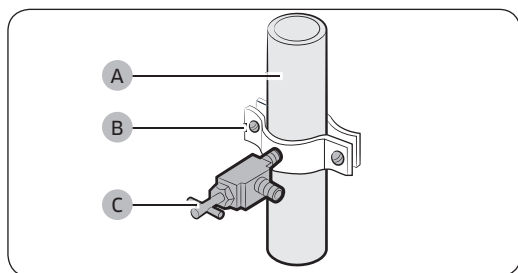
Minimale	Maximale
30 psi (206 kPa)	125 psi (861 kPa)

Si le réfrigérateur est installé dans une zone où la pression d'eau minimale ne peut être atteinte, vous pouvez installer une pompe de surpression pour compenser la faible pression d'eau.

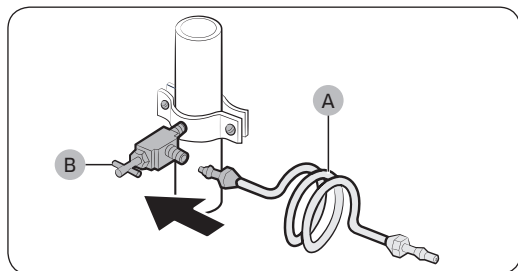
Raccordez la conduite d'alimentation en eau à l'arrivée d'eau principale.

REMARQUE

- Raccordez la conduite d'eau à une source d'eau potable uniquement.
- Des trousse d'installation de conduite d'eau sont disponibles auprès de votre détaillant contre un supplément. Il est recommandé d'utiliser un kit d'installation de conduite d'eau composé d'un tube en cuivre et d'un écrou de serrage de 1/4" (6 mm).



1. Coupez l'arrivée d'eau principale.
2. Insérez le collier de fixation (B) et le robinet de sectionnement (C) dans la conduite d'eau froide (A).



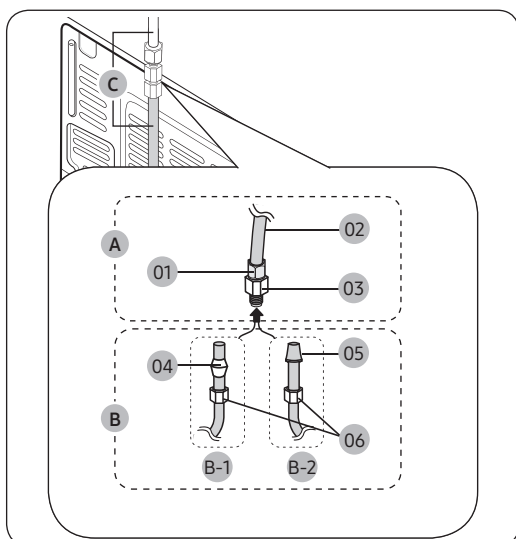
3. Raccordez le kit d'installation de conduite d'eau (A) au robinet de sectionnement (B).

Installation

Raccorder le tuyau d'alimentation en eau au réfrigérateur

Vous devez acheter plusieurs éléments pour effectuer ce raccordement. Ces accessoires sont en vente sous forme de trousse à votre quincaillerie locale.

Tube en cuivre	<ul style="list-style-type: none"> • Tube en cuivre de 1/4" • Écrou de serrage de 1/4" (x1) • Bague (x2)
Tube en plastique	<ul style="list-style-type: none"> • Tube en plastique de 1/4" avec une extrémité moulée (en forme de poire) • Écrou de serrage de 1/4" (x1)



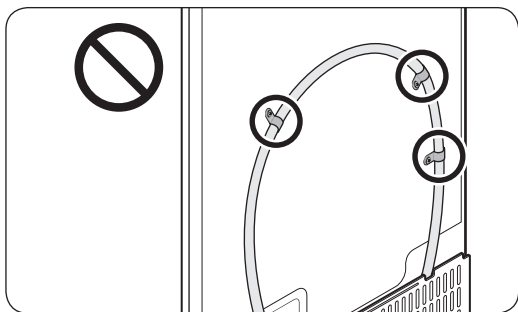
A	La conduite d'eau provenant du réfrigérateur	
	01	Écrou de serrage (1/4") (monté)
	02	Tube en plastique (monté)
	03	Raccord à compression (monté)
B	La conduite d'eau provenant de l'arrivée d'eau principale	
	REMARQUE	
	Vous pouvez choisir que la conduite d'eau provenant de l'arrivée d'eau principale soit un tube en cuivre (B-1) ou un tube en plastique (B-2).	
	B-1	Tube en cuivre (non fourni)
	B-2	Tube en plastique (non fourni)
	04	Bague (non fournie)
	05	Extrémité moulée (en forme de poire)
06	Écrou de serrage (1/4") (non fourni)	
C	Tuyau d'eau	
	REMARQUE	
	Lors du montage, les conduites d'eau doivent être maintenues droites.	

1. Raccordez la conduite d'eau provenant de l'arrivée d'eau principale (B) au raccord à compression (03) monté.
 - Si vous utilisez un tube en cuivre (B-1), faites glisser l'écrou de serrage (06) (non fourni) et la bague (04) (non fournie) sur le tube en cuivre (B-1) (non fourni), comme illustré.
 - Si vous utilisez un tube en plastique (B-2), insérez l'extrémité moulée (en forme de poire) (05) du tube en plastique (B-2) (non fourni) dans le raccord à compression (03).

ATTENTION

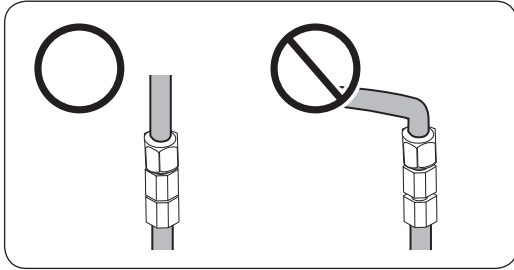
- Si vous utilisez un tube en plastique (B-2), ne l'utilisez pas sans l'extrémité moulée (en forme de poire) (05).
 - Si vous laissez débranchée la conduite d'eau, le robinet d'arrivée d'eau peut produire un bourdonnement au fil du temps. Si tel est le cas, assurez-vous que la fonction de fabrication de glaçons est désactivée et n'essayez pas d'utiliser le distributeur d'eau.
2. Serrez l'écrou de serrage (06) sur le raccord à compression (03). Assurez-vous de ne pas trop serrer l'écrou de serrage (06).
 3. Ouvrez l'alimentation en eau et vérifiez qu'il n'y a pas de fuite. Si vous détectez des gouttes ou des fuites d'eau au niveau du raccord, fermez l'alimentation en eau principale. Vérifiez les branchements et resserrez si nécessaire.
 - Vérifiez si le distributeur d'eau fonctionne correctement. Appuyez sur le levier du distributeur d'eau jusqu'à ce que l'eau s'écoule par la sortie d'eau.
 4. Laissez s'écouler 3 gallons d'eau à travers le filtre avant de consommer ou d'utiliser l'eau du réfrigérateur (laissez s'écouler l'eau pendant environ 5 à 6 minutes). Pour ce faire, appuyez sur le levier du distributeur d'eau avec un verre ou une tasse de grande taille. Remplissez le verre, videz-le, puis recommencez.
 5. Après avoir mis le réfrigérateur en marche, patientez 1 à 2 jours avant de vous servir de la machine à glaçons. Pendant cette période, jetez les 1 ou 2 premiers bacs de glaçons afin d'évacuer toutes les impuretés de la conduite d'eau.

ATTENTION



- Ne montez pas le filtre à eau ou la conduite d'eau sur n'importe quelle partie du réfrigérateur. Cela pourrait endommager le réfrigérateur.

Installation



- S'il vous est nécessaire de déplacer le réfrigérateur après avoir raccordé la conduite d'eau, assurez-vous que la section jointe de la conduite d'eau est droite.

REMARQUE

- Si vous devez réparer ou démonter la conduite d'eau, coupez environ $\frac{1}{4}$ " du tube en plastique afin d'assurer un raccordement serré et étanche.
- Vous pouvez rapidement tester la conduite d'eau à l'aide d'un gobelet. Dans des conditions normales, le distributeur d'eau peut remplir un gobelet de $5 \frac{3}{4}$ oz (170 cm^3) en 10 secondes environ.

ÉTAPE 7 Réglages initiaux

En suivant les étapes suivantes, le réfrigérateur doit fonctionner entièrement.

1. Insérez le cordon d'alimentation dans la prise murale pour allumer le réfrigérateur.
2. Ouvrez la porte et vérifiez si l'éclairage à l'intérieur s'allume.
3. Réglez la température sur le paramètre le plus froid et patientez environ une heure. Le congélateur est légèrement réfrigéré et le moteur doit tourner doucement.
4. Attendez jusqu'à ce que le réfrigérateur atteigne la température réglée. Le réfrigérateur est désormais prêt l'emploi.

ÉTAPE 8 Vérification finale

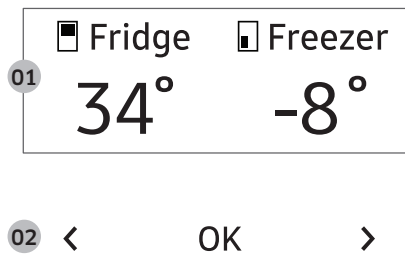
Lorsque l'installation est terminée, vérifiez les points suivants :

- Le réfrigérateur est branché sur une prise électrique et correctement mis à la terre.
- Le réfrigérateur est installé sur une surface plane et à une distance suffisante des murs et des armoires.
- Le réfrigérateur est mis à niveau et positionné fermement au sol.
- La porte s'ouvre et se ferme sans obstacles et l'éclairage intérieur s'allume automatiquement dès que vous ouvrez la porte.

Opérations

Panneau principal

Modèles classiques



01 Affichage	Affiche le menu, les réglage et d'autres informations.
02 Boutons	<ul style="list-style-type: none">• Lorsque l'écran est éteint, appuyez doucement sur n'importe quel bouton pour le rallumer.• Appuyez doucement sur < ou sur > pour aller vers la gauche et la droite.• Appuyez doucement sur OK pour confirmer votre sélection.• Laissez le doigt doucement appuyé sur OK pour passer en mode AP (Point d'accès). (Pour obtenir plus d'informations, reportez-vous à la section « SmartThings > Pour commencer » en page 54.)

REMARQUE

- Si la porte est laissée ouverte pendant 5 minutes, l'éclairage intérieur clignote pendant 5 minutes puis il s'éteint. Cela a pour but d'avertir les utilisateurs sourds et malentendants qu'une porte est ouverte. Veuillez noter que ce comportement est tout à fait normal.
- Lorsque vous changez la température sur le panneau, le panneau affiche la température réelle à l'intérieur du réfrigérateur jusqu'à ce que la température corresponde à la température que vous avez réglée. Ensuite, le panneau affiche la nouvelle température réglée. Notez que cela prendra du temps au réfrigérateur pour atteindre la nouvelle température. Ceci est tout à fait normal. Durant cette période, vous n'avez pas besoin de régler la température à nouveau.




Utilisation du panneau principal

1. Appuyez doucement sur l'un des boutons (<, **OK** ou >) pour rallumer l'écran.
2. Appuyez doucement sur < ou sur > pour sélectionner le menu souhaité, puis sur **OK** pour confirmer.
3. Appuyez doucement sur < ou sur > pour sélectionner le paramètre souhaité, puis sur **OK** pour confirmer.
 - Pour en savoir plus sur les réglages disponibles, consultez la section **Description des menus**.

Description des menus

Fridge (Réfrigérateur)	<ul style="list-style-type: none"> • Vous pouvez régler la température du réfrigérateur entre 34 et 44 °F (1 et 7 °C) ou activer la fonction Refroidissement rapide. • La fonction Refroidissement rapide accélère le processus de refroidissement (ventilateur à vitesse maximale). Le réfrigérateur fonctionne à vitesse maximale durant deux heures et demie avant de revenir à la température précédente.
Freezer (Congélateur)	<ul style="list-style-type: none"> • Vous pouvez régler la température du congélateur entre -8 et 5 °F (-23 et -15 °C) ou activer la fonction Congélation rapide. • La fonction Congélation rapide accélère le processus de congélation (ventilateur à vitesse maximale). Le congélateur fonctionne à vitesse maximale durant 50 heures avant de revenir à la température précédente. Pour congeler une grande quantité d'aliments, activez la fonction Congélation rapide au moins 20 heures avant de placer les aliments dans le congélateur.
FlexZone (Zone ajustable)	<ul style="list-style-type: none"> • Vous pouvez régler le mode Zone ajustable à partir de l'un des modes suivants. <ul style="list-style-type: none"> - Freeze (Congélation) : permet de régler la même température que celle du congélateur. - Soft Freeze (Congélation douce) : permet de régler la température à 23 °F (-5 °C). - Meat/Fish (Viande/Poisson) : permet de régler la température à 30 °F (-1 °C). - Fruit/Veggies (Fruits/Légumes) : permet de régler la température à 36 °F (2 °C). - Beverage (Boissons) : permet de régler la température à 41 °F (5 °C). <p>⚠ ATTENTION</p> <ul style="list-style-type: none"> • Sélectionnez le mode Zone ajustable en fonction du type d'aliments que vous placez dans cette zone. • Ne placez pas de viande ou d'aliments dans la Zone ajustable si le mode Fruits/Légumes ou Bouteilles de vin est activé. La viande ou les aliments pourraient s'abîmer. • Ne placez pas de bouteilles en verre dans la Zone ajustable si le mode Congélation ou Congélation douce est activé. Elles risqueraient d'éclater et de vous blesser.

Opérations

<p>Beverage Zone (Zone pour boissons) *</p>	<ul style="list-style-type: none"> Vous pouvez régler le mode Zone pour boissons à partir de l'un des modes suivants. <ul style="list-style-type: none"> Beverage (Boissons) : permet de régler la même température que celle du réfrigérateur. Wine/Dessert (Bouteilles de vin/Desserts) : permet de régler la température entre 4 et 5 °C de plus que le réfrigérateur, pour des conditions idéales pour des desserts, des bouteilles de vin, du beurre et de la confiture. <p> ATTENTION</p> <ul style="list-style-type: none"> Si vous placez des aliments en mode Bouteilles de vin/Desserts, leur durée de conservation risque d'être plus courte, car la température est plus élevée que dans le réfrigérateur. Par conséquent, si vous ne prévoyez pas de consommer les aliments dans les jours qui suivent ou s'ils sont sensibles aux variations de température, placez-les dans le réfrigérateur. Pour les restes de desserts, de beurre, de confiture, etc. ou si ces aliments ont été ouverts, vous devez les conserver en mode Boissons ou dans le réfrigérateur. <p> REMARQUE</p> <ul style="list-style-type: none"> La Zone pour boissons est destinée à conserver des boissons, des bouteilles de vin et des desserts que vous prévoyez de consommer immédiatement. La fréquence d'ouverture de la porte, la quantité d'aliments qui y sont rangés et le réglage de température sélectionné peuvent influencer sur la durée de conservation.
<p>AutoFill Pitcher (Pichet à remplissage automatique) *</p>	<ul style="list-style-type: none"> Vous pouvez régler le mode Pichet à remplissage automatique à partir de l'un des modes suivants. <ul style="list-style-type: none"> On (Activation) : pour remplir automatiquement votre pichet à eau. Off (Désactivation) : pour désactiver la fonction. <p> REMARQUE</p> <p>Vous pouvez placer du thé ou des fruits dans le tube à infusion pour confectionner de l'eau ou du thé infusé(e). Si vous souhaitez que l'eau infusée conserve sa concentration initiale, désactivez la fonction Pichet à remplissage automatique. (Pour obtenir plus d'informations, reportez-vous à la section Pichet à eau (pichet à remplissage automatique) (modèles applicables uniquement) en page 64.)</p>
<p>Cubed Ice (Glaçons) *</p>	<p>Vous pouvez démarrer ou arrêter la fabrication de glaçons.</p>
<p>Ice Bites (Glace pilée) *</p>	<p>Vous pouvez démarrer ou arrêter la fabrication de glace pilée.</p>

Whiskey Ball Ice (Glaçons ronds pour whisky) *

- Vous pouvez démarrer ou arrêter la fabrication de glaçons ronds. La machine à glaçons peut fabriquer entre 3 et 9 glaçons ronds toutes les 24 heures et vous pouvez choisir parmi les options suivantes :
 - 3 spheres (3 glaçons ronds), 6 spheres (6 glaçons ronds), 9 spheres (9 glaçons ronds)*, Off (Désactivation)
 - Le réglage par défaut est 6 glaçons ronds.
 - Les glaçons seront plus transparents si vous choisissez la quantité la plus petite.
- La machine à glaçons arrête de fabriquer des glaçons lorsqu'elle détecte que le bac à glaçons est plein (généralement environ 12 à 15 glaçons ronds, en fonction de la manière dont les glaçons sont empilés dans le bac à glaçons).
 - Pour fabriquer de nouveaux glaçons, faites un peu de place dans le bac à glaçons en retirant les glaçons ronds.
- Il se peut que la machine à glaçons arrête de fabriquer des glaçons selon la manière dont les glaçons ronds s'empilent dans le bac à glaçons. Réagencez les glaçons ronds s'il y en a trop qui s'empilent sur un côté du bac.
- Lorsque vous venez juste d'installer le congélateur, de remplacer le filtre ou après une coupure de courant d'une certaine durée, il se peut que la machine à glaçons ne produise pas des glaçons parfaitement ronds ou que vous observiez la présence de bulles d'air dans les glaçons.
 - Si vous souhaitez éliminer les bulles d'air présentes dans les glaçons, videz le contenu de l'Pichet à remplissage automatique à 6 reprises (environ 12 litres).

ATTENTION

- Assurez-vous d'installer le tapis de la machine à glaçons ronds pour whisky dans le bon sens. (Pour obtenir plus d'informations, reportez-vous à la section **Machine à glaçons automatique** en page 69.)
 - La machine à glaçons risque d'arrêter de fabriquer des glaçons ronds pour whisky si vous retirez le tapis de la machine à glaçons ronds pour whisky dans le bac à glaçons, ou si vous l'insérez dans le mauvais sens.

Opérations

Settings (Réglages)	<p>Vous pouvez modifier les réglages pour les fonctions suivantes. Appuyez doucement sur < ou sur > pour sélectionner le menu, puis sur OK pour confirmer.</p> <p>UV Deodorizing Filter (Filtre désodorisant UV) * : vous pouvez activer ou désactiver la fonction Filtre désodorisant UV.</p> <p>Auto Open Door (Ouverture automatique de la porte) * : vous pouvez activer ou désactiver la fonction Ouverture automatique de la porte. (Pour obtenir plus d'informations, reportez-vous à la section Fonction Ouverture automatique de la porte (modèles applicables uniquement) en page 61.)</p> <p>Water Filter Reset (Réinitialisation du filtre à eau) * : lorsque le message de remplacement du filtre s'affiche à l'écran, sélectionnez ce menu puis remplacez le filtre conformément aux instructions affichées à l'écran.</p> <p>Temp. Unit (Unité de temp.) : vous pouvez régler l'échelle de température sur Celsius ou Fahrenheit.</p> <p>Peak Demand (Demande de pointe) * : vous pouvez activer ou désactiver la fonction Demande de pointe. (Pour obtenir plus d'informations sur la fonction Demande de pointe, reportez-vous à la section Fonction SMART GRID (Réponse à la demande) en page 56.)</p> <p>Welcome Lighting (Éclairage de bienvenue) : vous pouvez activer ou désactiver la fonction Welcome Lighting (Éclairage de bienvenue). (Pour obtenir plus d'informations, reportez-vous à la section Fonction Éclairage de bienvenue (modèles applicables uniquement) en page 60.)</p> <p>Sounds (Sons) : vous pouvez activer ou désactiver le son des boutons (et de la fonction Ouverture automatique de la porte*).</p> <p>Door Alarm (Alarme de la porte) : vous pouvez activer ou désactiver la fonction Alarme de la porte.</p> <p>Wi-Fi (Connexion Wi-Fi) : vous pouvez activer ou désactiver la fonction Connexion Wi-Fi. Activez-la pour contrôler et surveiller votre réfrigérateur via l'application SmartThings. (Pour obtenir plus d'informations sur l'application SmartThings, reportez-vous à la section SmartThings en page 53.)</p>
---------------------	--

* modèles applicables uniquement

REMARQUE

L'utilisation de la fonction Refroidissement rapide ou Congélation rapide augmente la consommation d'énergie.

Activer ou désactiver le mode Sabbat

Le mode Sabbat reste actif durant les 85 heures suivant son activation. Passé ce délai, il sera automatiquement désactivé.

- Pour activer ou désactiver le mode Sabbat, laissez le doigt doucement appuyé sur **OK** et sur **>** simultanément pendant 6 secondes. Ensuite, appuyez doucement sur **>**.
 - Lorsque le réfrigérateur est en mode Sabbat, les boutons, l'écran et l'éclairage interne ne fonctionnent pas. Toutefois, le réfrigérateur et le congélateur continuent de refroidir.

REMARQUE

Si le réfrigérateur est mis hors puis sous tension (par exemple, en cas de coupure de courant), le mode Sabbat reste actif. Pour quitter le mode Sabbat, vous devez le désactiver comme indiqué ci-dessus.

Activer ou désactiver le mode Désactivation du refroidissement

Le mode Désactivation du refroidissement (également appelé mode Démo) est destiné aux vendeurs qui mettent les réfrigérateurs en démonstration dans leur magasin. En mode Désactivation du refroidissement, seuls le moteur du ventilateur et l'éclairage du réfrigérateur fonctionnent normalement ; les compresseurs du réfrigérateur et du congélateur sont désactivés et ne produisent donc pas de froid.

- Pour activer ou désactiver le mode Désactivation du refroidissement, laissez le doigt doucement appuyé sur **<** et sur **>** simultanément pendant 6 secondes. Ensuite, appuyez doucement sur **OK**.
 - Lorsque le mode Désactivation du refroidissement est activé, le réfrigérateur émet un signal sonore et le message « **Cooling Off mode turned on (Mode Désactivation du refroidissement activé)** » s'affiche.

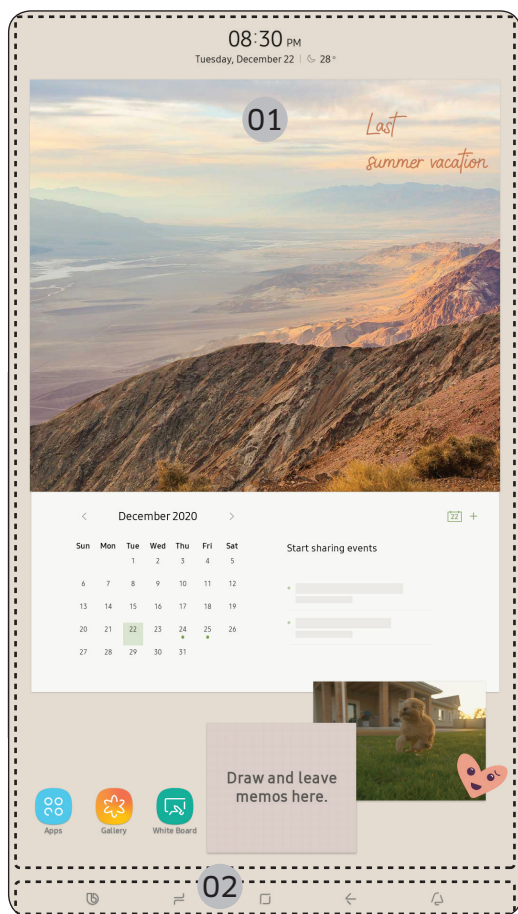
Opérations

Modèles Family Hub

Écran Accueil

REMARQUE

- Pour obtenir plus d'informations sur les autres menus et applications disponibles sur l'application Réfrigérateur, reportez-vous au Guide en ligne de votre réfrigérateur.
- Le contenu et la conception des applications et des widgets sont soumis à modifications ou leur prise en charge peut être interrompue sans préavis, en fonction de la politique du fournisseur du contenu.
- Lorsque des enfants utilisent des fonctions, applications et services du réfrigérateur, ils doivent être supervisés par des adultes.
- Les transactions réalisées par des mineurs avec les services doivent être supervisées par des adultes.



01 Écran Accueil

02 Boutons programmables

01 Écran Accueil

- Appuyez doucement sur l'application ou le widget de votre choix pour le/la lancer.
- Sur l'écran Accueil, vous pouvez ajouter ou supprimer des éléments tels que des applications, widgets, images, vidéos, dessins et textes.
- Maintenez le doigt appuyé sur un élément pour passer en mode Modifier. En mode Modifier, vous pouvez faire glisser et déposer un élément vers un nouvel emplacement sur l'écran Accueil. Lorsque vous déplacez l'élément vers un nouvel emplacement, l'élément devient rouge si l'emplacement n'est pas disponible.

02 Boutons programmables



01 Bixby

- Appuyez doucement dessus pour utiliser Bixby.

02 Gestionnaire des tâches

- Appuyez doucement dessus pour ouvrir le Gestionnaire des tâches.

03 Accueil

- Appuyez doucement dessus pour ouvrir l'écran Accueil.

04 Retour

- Appuyez doucement dessus pour revenir à l'écran précédent.

05 Notification

- Appuyez doucement dessus pour afficher le Panneau d'affichage rapide.

06 Masquer/Afficher

- Appuyez doucement dessus pour masquer ou afficher les boutons programmables.
- Le bouton Masquer/Afficher apparaît uniquement lorsqu'une application est active.

Opérations

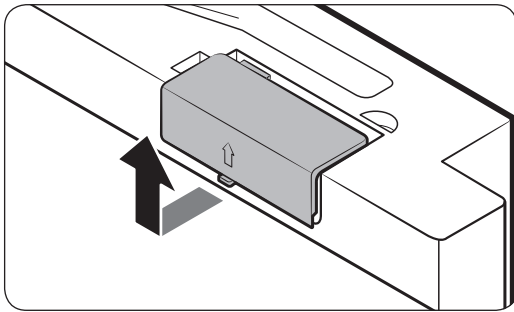
Gestionnaire du réfrigérateur

Sur l'écran d'accueil, appuyez doucement sur l'application **Fridge Manager (Gestionnaire du réfrigérateur)**.

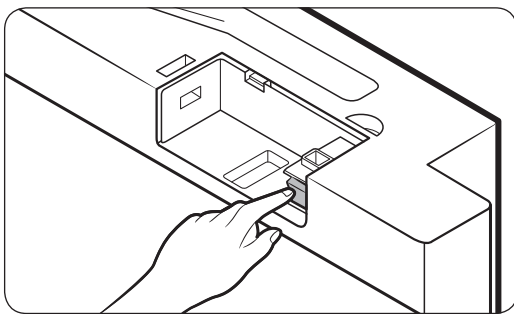
- Vous pouvez régler la température ou le mode de votre choix pour chaque compartiment.
- Pour en savoir plus sur l'application Gestionnaire du réfrigérateur, consultez le guide en ligne.
- Pour accéder au guide en ligne depuis votre réfrigérateur Family Hub, appuyez doucement sur **Setting (Réglage) > Help & Contact Us (Aide et Nous contacter) > Online Manual (Guide en ligne)**.

Réinitialisation de l'écran (modèles applicables uniquement)

Si vous observez un symptôme anormal sur l'écran, essayez de réinitialiser ce dernier. Cela peut corriger le symptôme.



1. Ouvrez la porte du réfrigérateur et repérez le cache de l'interrupteur en haut à droite de la porte.
2. Poussez le cache vers le haut pour dévoiler l'interrupteur de mise en marche.



3. Mettez l'appareil hors tension puis à nouveau sous tension.
4. Réinsérez complètement le cache de l'interrupteur jusqu'à entendre un « clic ».

SmartThings

Installation

Rendez-vous sur Google Play Store, Galaxy Apps ou Apple App Store et recherchez « SmartThings ». Téléchargez et installez l'application SmartThings fournie par Samsung Electronics sur votre périphérique intelligent.

REMARQUE

- La version du logiciel de soutien de l'application SmartThings est soumise à modifications en fonction de la politique de prise en charge du système d'exploitation fournie par le fabricant. En outre, comme pour l'application SmartThings ou les fonctions prises en charge par l'application, la nouvelle politique de mise à jour de l'application sur la version existante du système d'exploitation est susceptible d'être suspendue pour des raisons d'utilité ou de sécurité.
- L'application SmartThings est soumise à modification sans préavis pour en améliorer l'utilisation ou les performances. Étant donné que la version du système d'exploitation du téléphone portable est mise à jour chaque année, l'application SmartThings est également mise à jour en permanence en fonction du dernier système d'exploitation. Pour toute question concernant les éléments mentionnés ci-dessus, veuillez communiquer avec nous à l'adresse st.service@samsung.com
- Les systèmes de codage recommandés incluent WPA/TKIP et WPA2/AES. Tous les protocoles d'authentification pour connexion Wi-Fi plus récents ou non standardisés ne sont pas pris en charge.
- Les réseaux sans fil peuvent être affectés par l'environnement de communication sans fil autour.
- Si votre fournisseur de services Internet a enregistré l'adresse MAC de votre ordinateur ou de votre modem à des fins d'identification, il est possible que votre réfrigérateur intelligent Samsung ne parvienne pas à se connecter à Internet. Si tel est le cas, prenez contact avec votre fournisseur de services Internet pour bénéficier d'une assistance technique.
- Les paramètres du pare-feu de votre système de réseau peuvent empêcher votre réfrigérateur intelligent Samsung d'accéder à Internet. Prenez contact avec votre fournisseur de services Internet pour bénéficier d'une assistance technique. Si ce symptôme persiste, prenez contact avec un centre de service ou un détaillant Samsung local.
- Pour configurer les paramètres du point d'accès sans fil, reportez-vous au manuel d'utilisation du point d'accès.
- Les réfrigérateurs intelligents Samsung prennent en charge la connexion Wi-Fi 2,4 GHz avec les protocoles IEEE 802.11 b/g/n et Soft-AP (le protocole IEEE 802.11 n est recommandé).
- Les routeurs Wi-Fi sans fil non autorisés peuvent ne pas parvenir à se connecter aux réfrigérateurs intelligents Samsung applicables.

Opérations

Compte Samsung

Vous devez créer votre compte Samsung pour pouvoir utiliser l'application. Si vous n'avez pas de compte Samsung, suivez les instructions de l'application affichées à l'écran pour créer un compte Samsung gratuit.

Pour commencer

Allumez le périphérique que vous souhaitez connecter, ouvrez l'application SmartThings sur votre téléphone, puis suivez les instructions ci-dessous.

Si une fenêtre contextuelle apparaît en indiquant qu'un nouvel appareil a été détecté, appuyez doucement sur **ADD NOW (AJOUTER MAINTENANT)**.

En l'absence de fenêtre contextuelle, appuyez doucement sur le bouton **+**, puis sélectionnez l'appareil que vous souhaitez connecter dans la liste des appareils disponibles.

Si votre appareil ne figure pas dans la liste des appareils disponibles, appuyez doucement sur **Supported Devices (Appareils pris en charge)**, sélectionnez le type d'appareil (Réfrigérateur), puis sélectionnez le modèle d'appareil spécifique.

Suivez les instructions affichées sur l'application pour configurer votre périphérique. Une fois la configuration terminée, votre réfrigérateur apparaît sous forme de « carte » sur votre écran **Devices (Appareils)**.

Commande intégrée

Vous pouvez surveiller et contrôler votre réfrigérateur chez vous, de même qu'en déplacement.

- Appuyez doucement sur l'icône du réfrigérateur sur le tableau de bord SmartThings ou appuyez doucement sur l'icône **Devices (Appareils)** en bas du tableau de bord, puis appuyez doucement sur la « carte » du réfrigérateur pour ouvrir la page Réfrigérateur.
- Vérifiez l'état de fonctionnement ou les notifications relatives à votre réfrigérateur et modifiez des options ou des réglages si nécessaire.

REMARQUE

Certaines options ou certains réglages du réfrigérateur peuvent ne pas être disponibles pour la commande à distance.

Catégorie	Élément	Description
Surveillance et contrôle	Température du réfrigérateur	Vous pouvez régler et surveiller la température souhaitée du réfrigérateur.
	Température du congélateur	Vous pouvez régler et surveiller la température souhaitée du congélateur.
	Refroidissement rapide	Vous pouvez activer ou désactiver la fonction Refroidissement rapide et vérifier les réglages actuels.
	Congélation rapide	Vous pouvez activer ou désactiver la fonction Congélation rapide et vérifier les réglages actuels.
	Zone ajustable	Vous pouvez régler et surveiller le mode souhaité de la Zone ajustable.
	Glaçons * Glace pilée * Glaçons ronds pour whisky *	Vous pouvez activer ou désactiver la fonction de fabrication de glaçons et vérifier les réglages actuels de la fonction.
	Pichet à remplissage automatique *	Vous pouvez activer ou désactiver la fonction Pichet à remplissage automatique et vérifier les réglages actuels de la fonction.
Alarmes	Température anormalement élevée	Cette alarme se déclenche lorsque le réfrigérateur, le congélateur ou la Zone ajustable présente une température anormalement élevée.
	Ouverture de la porte	Cette alarme se déclenche si la porte du réfrigérateur, le tiroir du congélateur ou le tiroir de la Zone ajustable est ouvert(e) pendant une durée spécifique.
	Débordement détecté par la fonction Pichet à remplissage automatique *	Si la fonction Pichet à remplissage automatique détecte un débordement, cette alarme se déclenche pour vous en informer.
	Remplacement du filtre à eau *	Cette alarme vous rappelle que le filtre à eau doit être remplacé.
Image de l'intérieur *	Vous pouvez visualiser l'intérieur de votre réfrigérateur et savoir lorsqu'il est nécessaire de renouveler certains aliments.	

* modèles applicables uniquement

Opérations

Recommandations pour la reconnaissance vocale

(Applicable uniquement aux modèles Family Hub)

Pour la fonction de reconnaissance vocale, un microphone a été intégré en haut de l'écran du réfrigérateur. Pour utiliser la fonction de reconnaissance vocale :

- Ne vous placez pas à plus de 3 pieds (1 mètre) du réfrigérateur et parlez suffisamment fort et distinctement en direction du microphone intégré.
- Parlez à un rythme régulier. Limitez le bruit environnant, par exemple celui de la TV du salon.

REMARQUE

La fonction de reconnaissance vocale peut ne pas fonctionner si vous vous placez à plus de 3 pieds (1 mètre) de distance ou si vous parlez trop doucement.

Fonction SMART GRID (Réponse à la demande)

(modèles applicables uniquement)

Lorsque le réfrigérateur fonctionne en mode SMART GRID (Réponse à la demande), la fonction Gestion de l'énergie permet de contrôler la consommation d'énergie ou de repousser le départ de certaines fonctions pour des raisons économiques lorsque les prix de l'énergie ou la demande sont au plus bas.

De plus, pour utiliser la fonction Smart Grid (Réponse à la demande), vous devez souscrire au service auprès de votre fournisseur d'électricité. Celui-ci doit disposer d'un système de gestion de l'énergie (EMS, Energy Management System) prenant en charge le profil SEP (Smart Energy Profile).

REMARQUE

- Vous pouvez désactiver la fonction SMART GRID (Réponse à la demande) à tout moment à l'aide de la fonction Désactivation de la demande de pointe.
- Vous pouvez utiliser cette fonction pour surveiller votre consommation d'énergie, ou activer et désactiver des fonctions liées à l'énergie à l'aide de l'application SmartThings. Vous devez installer l'application SmartThings sur votre appareil mobile et connecter le réfrigérateur à un réseau Wi-Fi pour pouvoir utiliser cette fonction.

Utilisation de la fonction SMART GRID (Réponse à la demande)

Cette fonctionnalité surveille les informations de prix et de demande d'énergie de votre fournisseur et envoie des notifications au réfrigérateur pour effectuer les tâches fortement consommatrices en énergie pendant les périodes creuses où les coûts et la demande d'électricité sont plus faibles.

Si le réfrigérateur reçoit le signal SMART GRID (Réponse à la demande) (**DAL** ou **TALR**), il fonctionne en mode Delay Appliance Load (**DAL**, charge différée de l'appareil) ou Temporary Appliance Load Reduction (**TALR**, réduction temporaire de la charge de l'appareil).

Charge différée de l'appareil

le réfrigérateur répond à un signal **DAL** en fournissant une réduction modérée de la charge pendant la durée réglée. Cette fonction commande les fonctions qui consomment beaucoup d'énergie telles qu'ajuster le système de refroidissement, exécuter le cycle de dégivrage et produire de la glace.

- Le mode **DAL** se désactive automatiquement à la fin de la durée stipulée par le signal **DAL** (4,5 heures maximum), ou lorsque la touche Désactivation de la demande de pointe est actionnée.

Réduction temporaire de la charge de l'appareil

le réfrigérateur répond à un signal **TALR** en fournissant une réduction importante de la charge pendant une courte période. Cette fonction réduit la consommation d'énergie en arrêtant le compresseur et en contrôlant les fonctions qui consomment beaucoup d'énergie telles qu'exécuter le cycle de dégivrage et produire de la glace.

- Le mode **TALR** se désactive automatiquement à la fin de la durée de réception (15 minutes maximum), ou lorsque la touche Désactivation de la demande de pointe est actionnée. Le mode est immédiatement désactivé et le réfrigérateur revient à l'état normal lorsque la porte est ouverte ou fermée, ou lorsque le distributeur est utilisé.

Désactivation de la demande de pointe (mode Override)

Lorsque vous souhaitez que le réfrigérateur ignore le signal SMART GRID (Réponse à la demande) de votre fournisseur d'électricité, vous pouvez activer la fonction Désactivation de la demande de pointe (mode Override).

Lorsque vous activez la fonction Désactivation de la demande de pointe (mode Override), le réfrigérateur ignore le signal SMART GRID (Réponse à la demande) et ne sera pas contrôlé par votre fournisseur d'électricité.

Vous pouvez activer ou désactiver ce mode dans le panneau principal ou sur l'application SmartThings.

Activer et désactiver la fonction Désactivation de la demande de pointe (mode Override)

Modèles classiques

1. Appuyez doucement sur l'un des boutons (<, **OK** ou >) pour rallumer l'écran.
2. Appuyez doucement sur < ou sur > pour sélectionner **Settings (Réglages)**, puis sur **OK** pour confirmer.
3. Appuyez doucement sur < ou sur > pour sélectionner **Peak Demand (Demande de pointe)**, puis sur **OK** pour confirmer.
4. Appuyez doucement sur < ou sur > pour sélectionner **On (Activation)** ou **Off (Désactivation)**, puis sur **OK** pour confirmer.

Modèles Family Hub

1. Appuyez doucement sur l'icône **Fridge Manager (Gestionnaire du réfrigérateur)** située sur l'écran Accueil.
2. Ouvrez le menu **Fridge Settings (Réglages du réfrigérateur)** situé en bas de l'écran.
3. Ouvrez le menu **Demand Response (Réponse à la demande)**.
4. Activez ou désactivez la fonction **Peak Demand Off (Désactivation de la demande de pointe) (mode Override)**. Faites glisser le bouton pour activer ou désactiver la fonction « Désactivation de la demande de pointe ».

Opérations

Fonctions de gestion de l'énergie disponibles sur l'application SmartThings

- Surveillance de la consommation d'énergie (pour le mois précédent et le mois en cours)
 - Il indique la consommation d'énergie cumulée. Les données de consommation d'énergie sont mises à jour toutes les 10 minutes.

REMARQUE

Le rapport de consommation d'énergie peut différer par rapport aux spécifications de consommation d'énergie de l'appareil, en fonction de l'environnement d'utilisation et des aliments stockés.

- Surveillance de la réponse à la demande
- Activer/Désactiver la fonction Désactivation de la demande de pointe (mode Override)
- Dégivrage différé
 - La fonction Dégivrage différé permet de faire des économies d'énergie en différant l'opération de dégivrage sur un cycle de 24 heures à une heure spécifiée par l'utilisateur. Pour modifier l'heure de différé, utilisez le menu Dégivrage différé sur l'application. Par défaut, l'heure de différé est réglée comme suit :

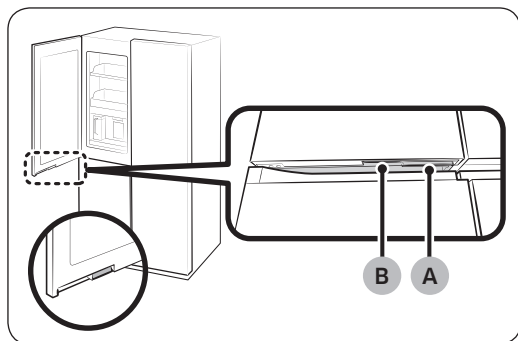
Du 1er novembre au 30 avril	De 6 h à 10 h
Du 1er mai au 31 octobre	De 15 h à 19 h

Disposition pour le libre accès aux exigences pour un appareil connecté

1. Normes ouvertes du SGIP (Smart Energy Profile 2.0 - <http://www.csep.org/>)
 - Rapport de consommation d'énergie
 - Réponse à la demande
2. Interface API ouverte
 - État fonctionnel, réglages utilisateur et messages
 - État de la machine à glaçons
 - Signal d'alarme Porte ouverte
 - État de la fonction Réponse à la demande
 - Fonction de dégivrage différé
 - Réglage des horaires de dégivrage différé
 - Obtention des horaires de dégivrage différé
 - Suppression des horaires de dégivrage différé
 - Activation/Désactivation du dégivrage différé

Fonctions spéciales

Centre de boissons (modèles applicables uniquement)

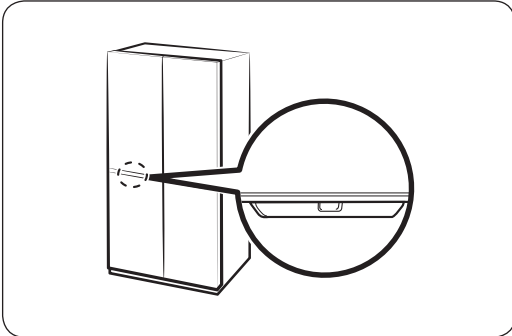


- A. Poignée de la porte du réfrigérateur
- B. Poignée du Centre de boissons

La porte gauche du réfrigérateur dispose de deux poignées en bas. Pour utiliser l'Pichet à remplissage automatique et boire de l'eau froide ou purifiée, appuyez sur la poignée (B) pour ouvrir le Centre de boissons.

Opérations

Fonction Éclairage de bienvenue (modèles applicables uniquement)



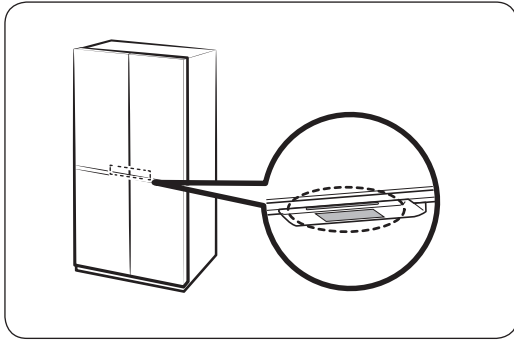
- Lorsque vous vous approchez de l'appareil, l'éclairage du réfrigérateur s'allume automatiquement pour que vous puissiez voir l'intérieur du réfrigérateur sans avoir à ouvrir les portes.
 - Il y a un capteur de détection de mouvement sur le dessous de la porte du réfrigérateur.
 - La durée maximale pendant laquelle l'éclairage du réfrigérateur reste allumé est de 30 secondes.
- Si vous avez installé l'appareil pour la première ou que vous l'avez réinstallé, vous devez régler la fonction Éclairage de bienvenue sur **On (Activation)** sur le panneau principal ou sur l'application SmartThings pour pouvoir utiliser la fonction.
 - Le réglage par défaut est **Off (Désactivation)**.
- Vous pouvez changer les réglages **Distance** et **Reaction time (Temps de réaction)** du capteur d'éclairage de bienvenue sur l'application SmartThings.
 - Le réglage par défaut pour **Distance** est **Middle (Centre)** (environ 50 cm).
 - Le réglage par défaut pour **Reaction time (Temps de réaction)** est **Fast (Rapide)**.
 - Vous devez vous trouver à la distance de détection du capteur pour que la fonction Éclairage de bienvenue fonctionne.
 - La distance à laquelle le **capteur d'éclairage de bienvenue** vous détecte peut varier en fonction de l'environnement d'installation et d'utilisation chez vous. (La direction d'approche vers l'appareil, la matière et la couleur des pièces reconnaissables comme les vêtements, objets, etc., les mouvements dans la cuisine, etc.)

REMARQUE

- La fonction Éclairage de bienvenue peut s'activer même lorsqu'une personne ou animal de grande taille passe devant l'appareil.
- Si le **capteur d'éclairage de bienvenue** détecte un objet, la fonction Éclairage de bienvenue risque de s'activer et de se désactiver. Faites sortir tous les objets (comme une chaise) hors du champ de détection du **capteur d'éclairage de bienvenue**.
- Le **capteur d'éclairage de bienvenue** risque de perdre en sensibilité lorsqu'il est sali par des corps étrangers ou de la poussière. Nettoyez régulièrement le capteur à l'aide d'un chiffon propre.
- Les objets très réfléchissants, comme les miroirs, se trouvant dans le champ de détection du **capteur d'éclairage de bienvenue** risquent d'activer la fonction Éclairage de bienvenue à distance.

Fonction Ouverture automatique de la porte (modèles applicables uniquement)

La fonction Ouverture automatique de la porte n'est pas applicable aux portes du congélateur.



Touchez le capteur situé près de la poignée de la porte du réfrigérateur. La porte s'ouvre alors.

- Le réglage par défaut est **Off (Désactivation)**.
- Pour activer la fonction, reportez-vous aux points suivants.
 - Modèles classiques : sur le panneau principal, sélectionnez **Settings (Réglages) > Auto Open Door (Ouverture automatique de la porte)** puis **On (Activation)**.
 - Modèles Family Hub : sur l'application Fridge Manager (Gestionnaire du réfrigérateur), appuyez sur **Settings (Réglages)**, puis tournez la molette sur **Auto Open Door (Ouverture automatique de la porte)**.

REMARQUE

- Si vous touchez les deux capteurs simultanément, la porte correspondant au premier capteur touché s'ouvre, puis l'autre porte s'ouvre sous 2 secondes environ.
- La porte ne se ferme pas automatiquement. Après utilisation, fermez la porte manuellement.
- L'angle (le degré) d'ouverture des portes du réfrigérateur peut varier en fonction de l'environnement d'installation, par exemple le type de sol à l'endroit où le réfrigérateur est installé, le niveau du réfrigérateur et la charge d'aliments présente dans les bacs de la porte.
 - Si le degré d'ouverture des portes est trop grand ou insuffisant, vérifiez que le réfrigérateur est de niveau. (Pour obtenir plus d'informations, reportez-vous à la section « ÉTAPE 4 Mise à niveau du réfrigérateur » en page 33.)

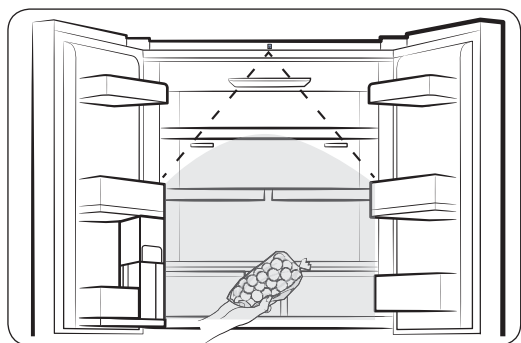
Opérations

ATTENTION

- La fonction Ouverture automatique de la porte pourrait ne pas fonctionner correctement si vous ouvrez et fermez la porte de manière répétée.
- Ne poussez pas la porte et ne forcez pas son arrêt lorsque la porte s'ouvre automatiquement. Cela peut entraîner un dysfonctionnement du produit.
 - Faites attention à ne pas vous heurter aux portes lorsqu'elles s'ouvrent automatiquement.
- Si la porte ne s'ouvre pas après l'avoir ouverte plusieurs fois, attendez environ une minute puis réessayez. (Il pourrait s'avérer difficile d'ouvrir la porte immédiatement après l'avoir fermée en raison du changement de pression à l'intérieur du réfrigérateur qui se produit lorsque vous ouvrez et fermez la porte.)
- Tout contact accidentel avec le capteur peut entraîner l'ouverture de la porte. Vérifiez qu'elle est bien fermée.

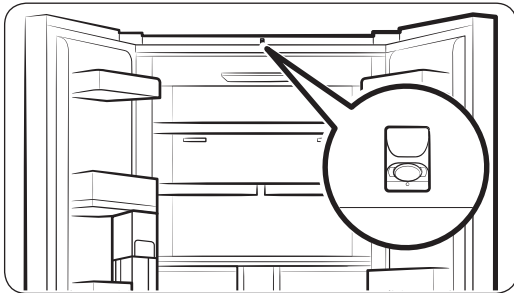
Vue IA de l'intérieur (modèles applicables uniquement)

- La fonction Vue IA de l'intérieur ne prend pas en charge la gestion des aliments pour le congélateur.
- Pour les modèles Family Hub, appuyez doucement sur **AI Vision Inside (Vue IA de l'intérieur) > Settings (Réglages) > AI food recognition guide (Guide IA de reconnaissance des aliments)** pour afficher le guide d'utilisation.



- Vous pouvez gérer les aliments qui entrent et sortent du réfrigérateur à l'aide de la caméra située sur la partie supérieure du réfrigérateur.
 - Pour pouvoir utiliser cette fonction, votre appareil doit être connecté à un réseau via l'application SmartThings.
 - Vous devez effectuer la configuration initiale de la caméra pour pouvoir l'utiliser.
- Elle vérifie les aliments présents sur les clayettes du réfrigérateur et dans les bacs de la porte, ou vous avertit lorsque certains aliments approchent de leur date de péremption.
- Lorsque vous ouvrez la porte du réfrigérateur, il est recommandé que vous ajoutiez ou sortiez les aliments du réfrigérateur après avoir entendu le signal sonore de reconnaissance. Faites une petite pause ou déplacez-les lentement dans le champ de détection de la caméra.
 - Si vous ajoutez plusieurs aliments en même temps dans le réfrigérateur, ils seront enregistrés comme un seul aliment. Donc veillez à les ajouter séparément.
 - Lorsque vous sortez un aliment, laissez le même côté exposé face à la caméra que lorsque vous l'avez ajouté. De plus, il ne doit pas être couvert à plus de 65 %.

Opérations



⚠ ATTENTION

Ne vous approchez pas de la caméra. Dans le cas contraire, votre corps sera photographié.

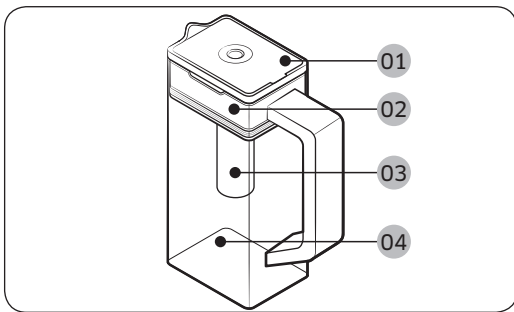
- Si vous ne souhaitez pas utiliser la fonction Vue IA de l'intérieur, désactivez la caméra de vue IA dans les réglages de l'application Vue IA de l'intérieur ou masquez la caméra de vue IA à l'aide d'un autocollant.

📖 REMARQUE

- Si les lumières du réfrigérateur sont éteintes ou que l'environnement est sombre, sa vitesse de reconnaissance peut être plus lente.
- Assurez-vous que les caractéristiques d'un élément que vous ajoutez, comme un aliment, sont clairement visibles (donc clairement distinctibles par rapport aux autres articles), ce qui peut améliorer la précision de correspondance des éléments entrants/sortants.
- Vous pouvez écrire en grosses lettres noires le nom des aliments placés dans des récipients, afin de favoriser la reconnaissance des éléments entrants/sortants.

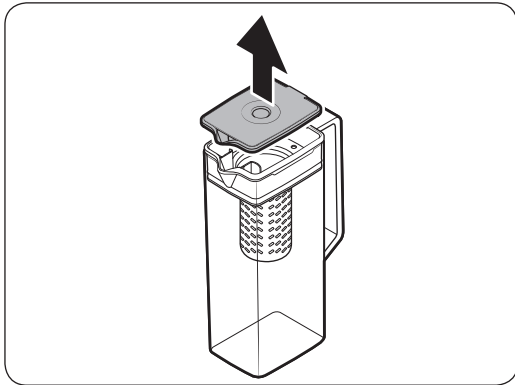
Pichet à eau (pichet à remplissage automatique) (modèles applicables uniquement)

Vous avez toujours de l'eau froide purifiée à disposition dans l'Pichet à remplissage automatique. Vous pouvez placer du thé ou des fruits dans le tube à infusion pour déguster les divers parfums d'eau infusée que vous aimez.



- 01 Couvercle
- 02 Support du tube à infusion
- 03 Tube à infusion
- 04 Corps

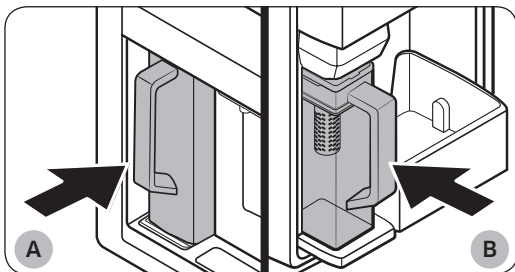
Remplir le pichet à eau



1. Saisissez l'une des rainures-poignées du couvercle, puis tirez vers le haut pour ouvrir le couvercle.
2. Placez un fruit ou des feuilles de thé à votre convenance dans le tube à infusion.

REMARQUE

Si vous souhaitez que l'eau infusée conserve sa concentration initiale, désactivez la fonction Pichet à remplissage automatique.



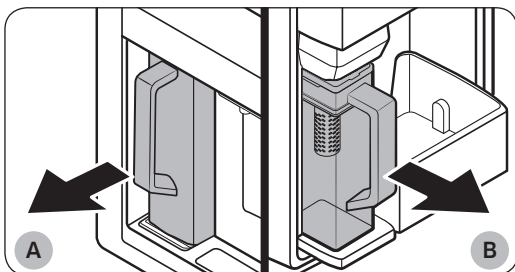
- A. Modèles de type A
B. Modèles de type B

3. Activez la fonction Pichet à remplissage automatique sur le panneau principal. Ouvrez la porte du Centre de boissons (type A) ou la porte gauche du réfrigérateur (type B), puis installez le pichet à eau sur son support. Poussez-le en position bien droite, comme illustré.

ATTENTION

Assurez-vous que le pichet à eau est bien installé sur son support.

4. Fermez la porte. Après un court instant, le pichet à eau commence à se remplir d'eau réfrigérée.
5. Pour boire du thé, ouvrez la porte du Centre de boissons (type A) ou la porte gauche du réfrigérateur (type B), puis retirez le pichet à eau. Tirez-le en position bien droite.



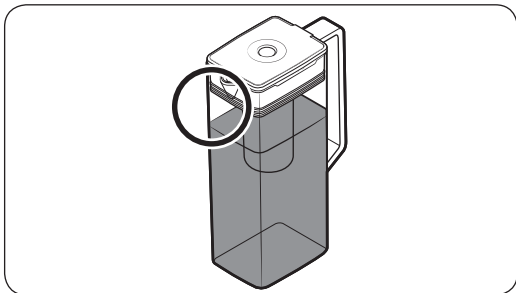
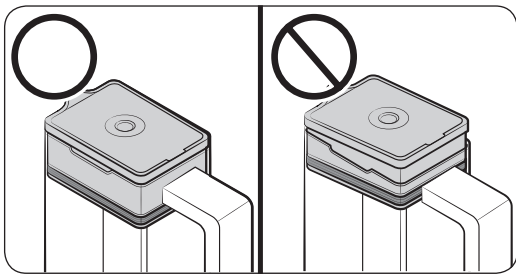
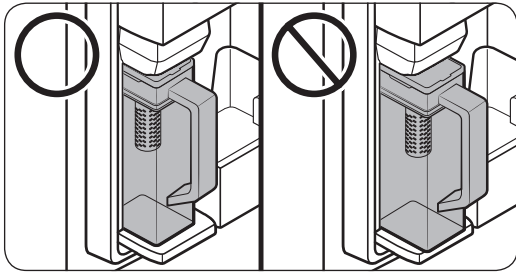
- A. Modèles de type A
B. Modèles de type B

ATTENTION

- Nous recommandons de consommer l'eau de fruits infusés dans les 24 heures. Passé ce délai, l'eau infusée peut devenir impropre à la consommation.

Opérations

- Vous devez nettoyer le pichet à eau après avoir consommé l'eau infusée. Nettoyez également le pichet à eau si vous ne l'avez pas utilisé pendant une période prolongée.

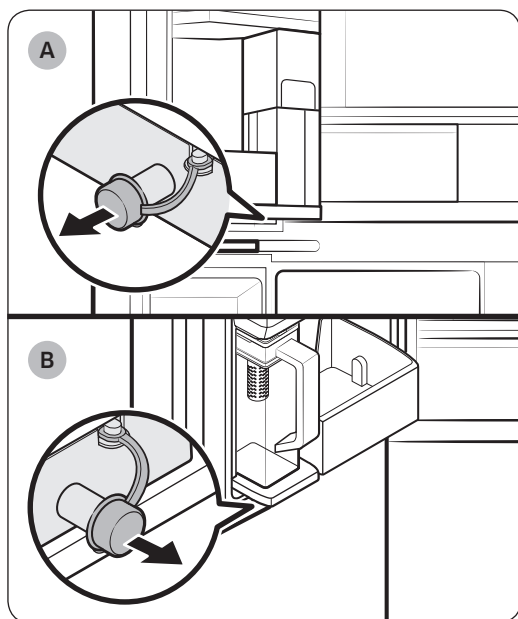


- Pour éviter que le pichet à eau ne bascule ou ne présente une fuite, assurez-vous qu'il est bien installé sur son support.

- Pour éviter que le pichet à eau ne déborde ou ne présente une fuite, assurez-vous que le support du tube à infusion est correctement inséré.

REMARQUE

- Si l'avant du pichet à eau (zone indiquée) est trop humide, il risque de ne pas se remplir complètement. Éliminer l'humidité puis réessayez.
- La fonction Pichet à remplissage automatique coupe l'arrivée d'eau dans le pichet à eau si ce dernier ne se remplit pas d'eau au bout de quelques temps. Si tel est le cas, vérifiez si la conduite d'eau est correctement raccordée. Retirez et réinsérez le pichet à eau, puis réessayez.



A. Modèles de type A

B. Modèles de type B

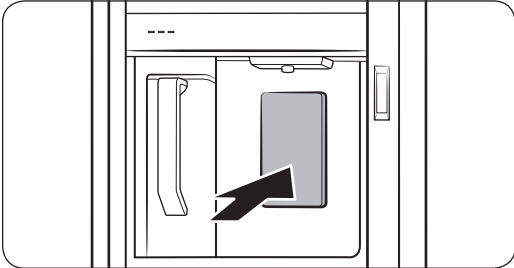
REMARQUE

- Vous devez nettoyer le pichet à eau après avoir consommé l'eau infusée. Vous devez également nettoyer le pichet à eau si vous ne l'avez pas utilisé pendant une période prolongée ou s'il est resté plein pendant plus de trois jours.
- Si le tube à infusion n'est pas nettoyé correctement, l'odeur du thé ou des fruits que vous avez précédemment utilisés dans le tube à infusion risque de subsister. Si vous ne prévoyez pas d'utiliser le tube à infusion, détachez-le du pichet et rangez-le en lieu sûr.
- Si vous n'avez pas utilisé le filtre à eau pendant une période prolongée, jetez l'eau des deux premiers pichets à eau. Ensuite, nettoyez soigneusement le pichet à eau avant de l'utiliser.

- Essuyez autour du support du pichet à eau si ce dernier déborde ou fuit.
- Des gouttes d'eau tombent si le bouchon en caoutchouc est ouvert.
- Un message d'alerte s'affiche sur le panneau principal en cas de fuite. En cas de fuite, ouvrez le bouchon en caoutchouc de façon à évacuer l'eau. Si le message d'alerte ne disparaît pas après avoir évacué l'eau, il y a peut-être une défaillance du système. Contactez votre centre de service Samsung local.

Opérations

Distributeur d'eau (modèles applicables uniquement)



Pour vous servir de l'eau fraîche, ouvrez le Centre de boissons et appuyez sur le levier du distributeur.

REMARQUE

- Le distributeur arrêtera de verser de l'eau si vous maintenez enfoncé le levier du distributeur pendant 1 minute. Pour verser davantage d'eau, relâchez puis appuyez sur le levier une nouvelle fois.
- Veillez à ce que le verre soit aligné avec le distributeur afin d'éviter que l'eau ne vous éclabousse.
- Si vous n'utilisez pas le distributeur d'eau pendant 2 à 3 jours, l'eau distribuée peut avoir une odeur ou un goût étrange. Il ne s'agit pas d'un dysfonctionnement du système. Jetez les 2 premiers verres d'eau.

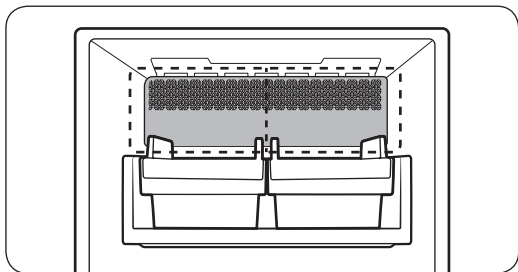
Eau trouble

L'eau alimentée dans le réfrigérateur passe à travers un filtre pour eau alcaline. Pendant ce processus de filtrage, la pression de l'eau augmente et l'eau devient saturée en oxygène et en azote. L'eau semble donc temporairement floue ou trouble lorsqu'elle est versée. Ceci est normal ; l'eau deviendra transparente après quelques secondes.

Machine à glaçons automatique

Le réfrigérateur dispose d'une machine à glaçons intégrée qui distribue automatiquement des glaçons.

- La conception générale et/ou les accessoires peuvent varier d'un modèle à un autre.



AVERTISSEMENT

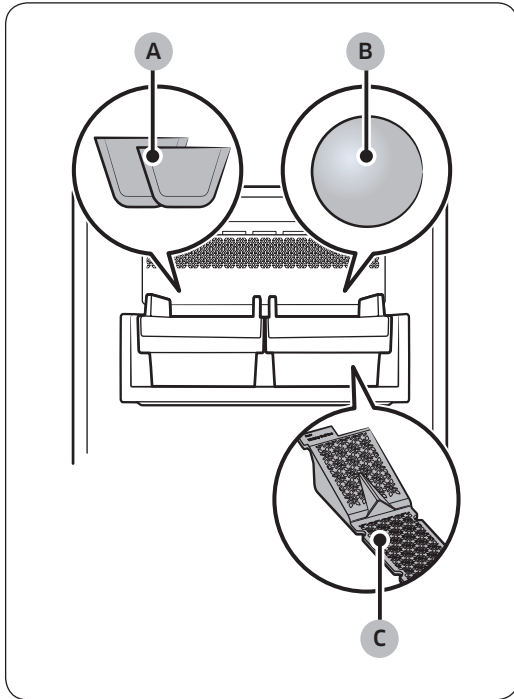
Risque d'étouffement : les enfants en bas âge risquent de s'étouffer avec les glaçons.

Première utilisation

- Patientez 1 à 2 jours avant de vous servir de la machine à glaçons.
- Jetez les glaçons remplissant le bac les 2 premières fois afin de retirer les impuretés du système d'alimentation en eau.

Opérations

Machine à glaçons / glace pilée et à glaçons ronds pour whisky (modèles applicables uniquement)



- A. Glaçons * ou glace pilée *
- B. Glaçons ronds pour whisky
- C. Tapis de la machine à glaçons ronds pour whisky

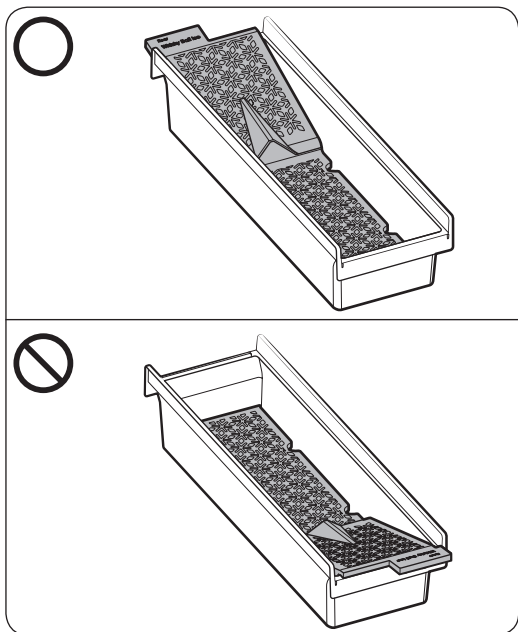
ATTENTION

- Ne mettez pas vos doigts dans la machine à glaçons.
- Ne congélez pas d'eau directement dans le bac à glaçons. Le bac à glaçons risquerait d'être endommagé.
- Si vous laissez la porte ouverte pendant trop longtemps, les glaçons risquent de fondre dans le bac à glaçons et de se coller entre eux.
- Si les glaçons qui se trouvent dans le bac à glaçons fondent (à cause d'une coupure de courant, etc.), videz le bac à glaçons. Sinon, le bac à glaçons risque de casser lorsque l'eau gèlera à nouveau.
- Lorsque la fonction Ice (Glaçons) est activée, la machine à glaçons continuera à fabriquer des glaçons même si le bac à glaçons n'est pas en place. Assurez-vous de désactiver la fonction si vous n'avez pas besoin de fabriquer des glaçons.

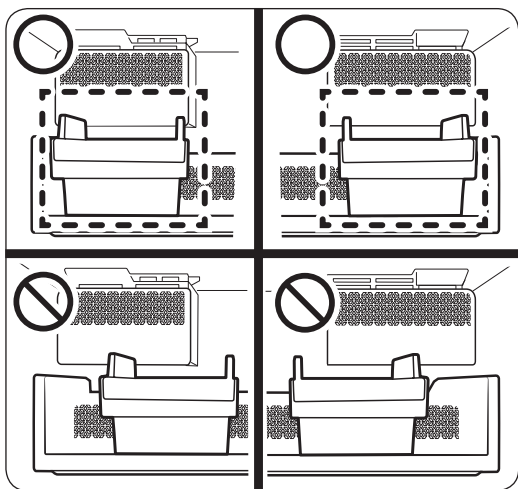
REMARQUE

- Videz régulièrement le bac à glaçons.
 - Les nouveaux glaçons produits risquent de coller aux anciens glaçons, et les anciens glaçons risquent de coller au bac à glaçons.
- La taille, la forme et la transparence des glaçons sont susceptibles de varier en fonction de la pression de l'eau et des conditions d'utilisation (telles que la température ambiante, la température du congélateur et la fréquence d'ouverture de la porte).

- Vous pouvez entendre un bruit lorsque les glaçons tombent dans le bac à glaçons.
- Tenez le bac à glaçons à deux mains lorsque vous le retirez du congélateur afin d'éviter qu'il ne tombe.

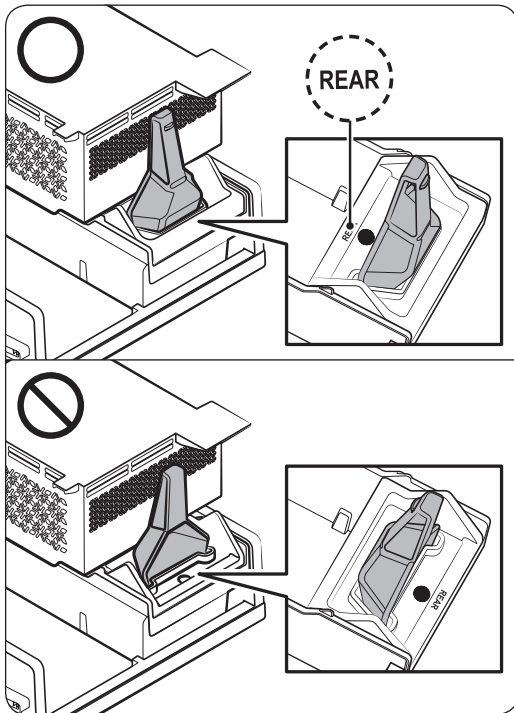


- Assurez-vous de placer le tapis de la machine à glaçons ronds pour whisky dans le bon sens et de ne pas le confondre avec le tapis de la machine à glaçons classiques.
 - La machine à glaçons risque d'arrêter de fabriquer des glaçons ronds pour whisky si vous retirez le tapis de la machine à glaçons ronds pour whisky dans le bac à glaçons, ou si vous l'insérez dans le mauvais sens.
 - Le côté du tapis et du bac à glaçons qui porte la mention « Rear (Arrière) » doit être dans le même sens.



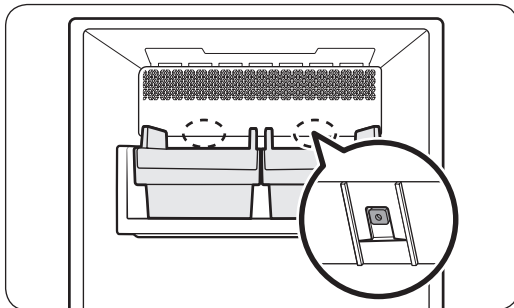
- Vérifiez la position du bac à glaçons avant d'utiliser chaque machine à glaçons.
 - Placez le bac à glaçons contre la paroi située juste en dessous de la machine à glaçons. Si le bac à glaçons ne se trouve pas juste en dessous de la machine à glaçons, cette dernière risque de ne pas fabriquer de glaçons.

Opérations

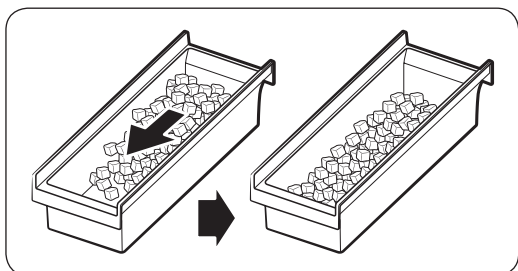


- Placez correctement le support de la pelle à glaçons dans le bac à glaçons pour la machine à glaçons ronds pour whisky. Le côté portant la mention « **REAR (ARRIÈRE)** » doit être face à la machine à glaçons.
- Si le support de la pelle à glaçons n'est pas inséré ou s'il est inséré dans le mauvais sens, la machine à glaçons risque de ne pas fabriquer de glaçons.

Diagnostic



- La conception générale et/ou les accessoires peuvent varier d'un modèle à un autre.
- Si les glaçons ne sortent pas, vérifiez d'abord l'état de la machine à glaçons en utilisant le bouton **Test** en bas de la machine à glaçons.
- Appuyez sur le bouton **Test** en bas de la machine à glaçons. Vous entendrez un signal sonore (ding-dong) lorsque vous appuierez sur le bouton. Vous entendrez un autre signal sonore si la machine à glaçons fonctionne correctement.



- Il est normal de constater une accumulation de glaçons d'un côté du bac. Étalez les glaçons de façon homogène dans le bac pour en stocker davantage.

⚠ ATTENTION

- Si vous laissez débranchée la conduite d'eau, le robinet d'arrivée d'eau peut produire un bourdonnement au fil du temps. Si tel est le cas, assurez-vous de désactiver la fonction de fabrication de glaçons.
- Si la machine à glaçons émet un signal sonore de façon répétitive, contactez l'installateur de la conduite d'eau ou un centre de service Samsung local.
- Ne placez pas d'aliments dans le bac à glaçons. Les aliments surgelés peuvent endommager la machine à glaçons, en particulier lorsque vous ouvrez ou fermez la porte.
- Lorsque l'alimentation du réfrigérateur est rétablie après une panne de courant, le bac à glaçons peut contenir un mélange de glaçons fondus ou coincés, et empêcher la machine à glaçons de fonctionner correctement. Pour éviter cela, assurez-vous de vider le bac à glaçons avant d'utiliser le réfrigérateur.
- Ne mettez pas les doigts ni d'autres objets dans la machine à glaçons. Cela pourrait provoquer des blessures corporelles ou des dommages matériels.
- Les glaçons stockés dans le congélateur pendant une période prolongée deviennent plus petits puis forment de gros blocs de glace en raison de la sublimation. Par conséquent, si vous ne prévoyez pas d'utiliser la machine à glaçons pendant une période prolongée, désactivez-la et videz le bac à glaçons.
- Utilisez uniquement les nouveaux tuyaux fournis avec l'appareil. Ne réutilisez pas d'anciens tuyaux.

Maintenance

Utilisation et entretien

Bac à glaçons (modèles applicables uniquement)

Si vous ne versez pas de glaçons pendant une période prolongée, les glaçons peuvent se coller entre eux à l'intérieur du bac. Si tel est le cas, retirez et videz le bac à glaçons.

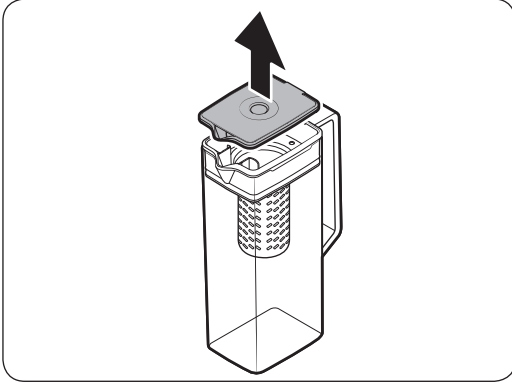
ATTENTION

- Pour éviter tout risque de blessure, assurez-vous d'essuyer toute la glace ou l'eau qui est tombée sur le sol.
- Pour éviter tout risque d'accident ou de blessure, ne laissez pas les enfants jouer avec le distributeur d'eau ou la machine à glaçons.
- Utilisez uniquement le bac à glaçons fourni. Les bacs à glaçons de tiers peuvent provoquer une défaillance du système.

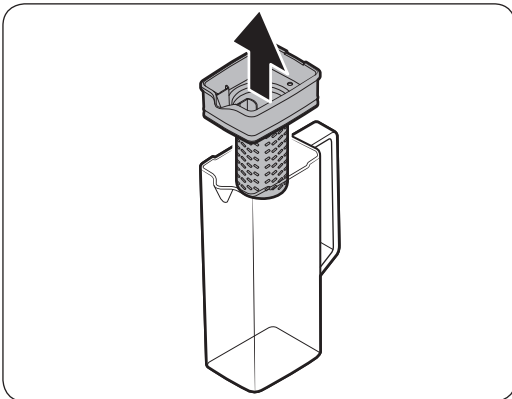
REMARQUE

Le bruit généré par la machine à glaçons lors du processus de fabrication de glaçons est normal.

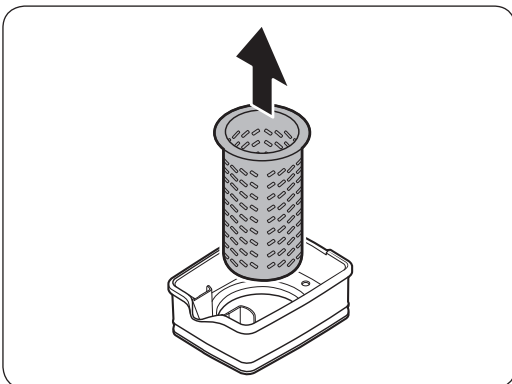
Pichet à remplissage automatique (modèles applicables uniquement)



1. Saisissez l'une des rainures-poignées du couvercle, puis tirez vers le haut pour le retirer.



2. Saisissez les deux côtés du support du tube à infusion, puis soulevez pour le retirer.



3. Tout en tournant délicatement le tube à infusion, retirez-le de l'ouverture hermétique.
4. Nettoyez le tube à infusion avec des agents neutres et de l'eau claire. Rincez et séchez.
5. Pour remonter l'Pichet à remplissage automatique, suivez la procédure de démontage dans le sens inverse.

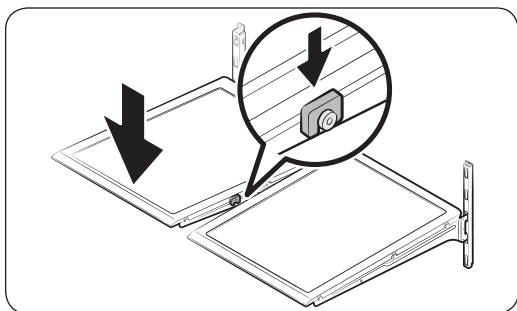
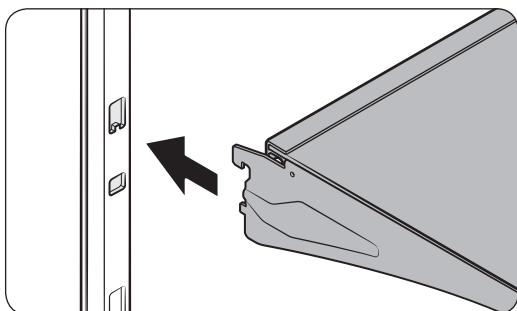
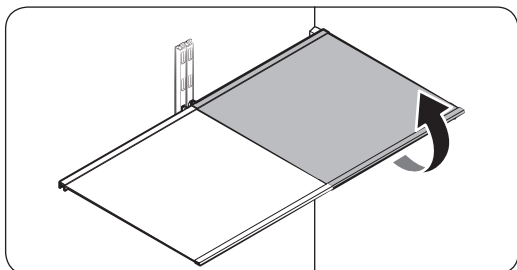
⚠ ATTENTION

Le pichet à eau et le couvercle ne peuvent pas passer au micro-ondes et risquent de fondre ou de se déformer s'ils sont exposés à la chaleur (y compris de l'eau chaude). Lavez-les à la main avec de l'eau froide ou tiède au besoin. (La température de l'eau doit être inférieure à 158 °F (70 °C))

Maintenance

Clayettes du réfrigérateur

L'aspect des clayettes diffère selon les modèles.



- Pour retirer une clayette, ouvrez la porte correspondante entièrement. Attrapez la clayette par l'avant, puis soulevez-la doucement et tirez-la pour la retirer.

REMARQUE

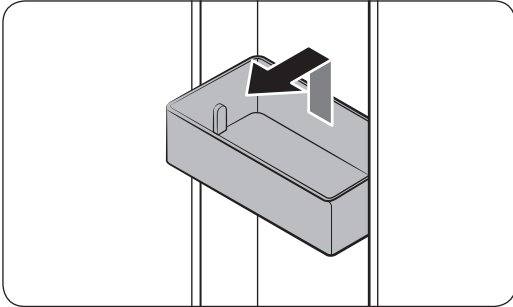
Ne levez pas complètement la clayette lorsque vous la retirez ou la réinsérez. La paroi arrière du réfrigérateur peut être bosselée.

- Pour la remettre en place, maintenez la clayette à un angle de sorte que l'avant soit plus que l'arrière, puis insérez le crochet supérieur dans l'encoche de la clayette supérieure. Puis, abaissez la clayette et insérez le crochet de la clayette inférieure dans l'encoche de la clayette inférieure.

ATTENTION

- Les clayettes en verre trempé sont lourdes. Soyez prudent lors de leur retrait.
- La clayette doit être mise en place correctement. Ne la mettez pas en place à l'envers.
- Les récipients en verre peuvent rayer la surface des clayettes en verre.

Bacs de la porte

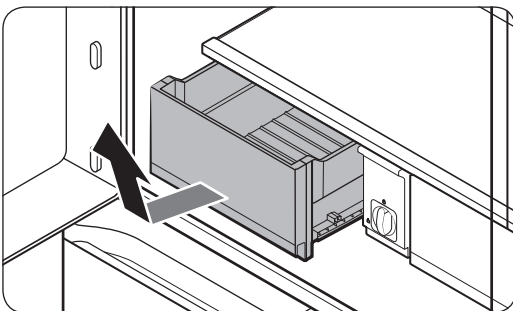


- Pour retirer le **bac de la porte**, tenez le côté avant du bac puis levez-le délicatement pour le retirer.
- Pour le réinsérer, insérez le **bac de la porte** légèrement au-dessus de son emplacement final en vous assurant que l'arrière du bac se trouve contre la porte. Tenez l'arrière du **bac de la porte** avec les deux mains, puis appuyez pour qu'il s'insère correctement.

⚠ ATTENTION

- Ne retirez pas un bac rempli d'aliments. Videz-le au préalable.
- Ouvrez la porte avec précaution si le bac du fond contient de grandes bouteilles, ces dernières pouvant tomber.
- Ne laissez pas les enfants jouer avec les bacs. Les coins pointus du bac peuvent vous blesser.

Tiroirs du réfrigérateur



Soulevez doucement l'avant du tiroir et faites-le glisser pour le retirer.

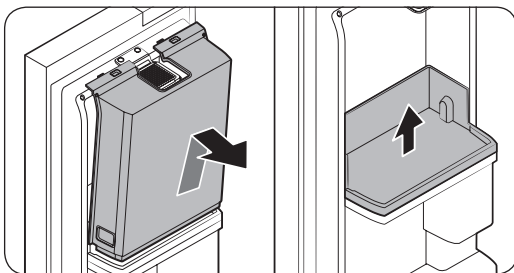
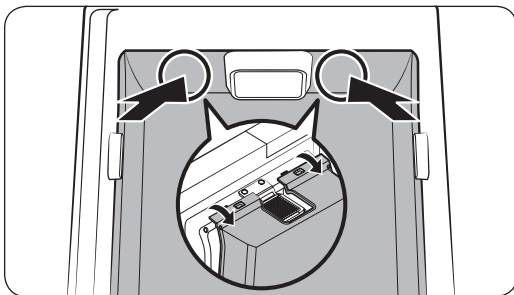
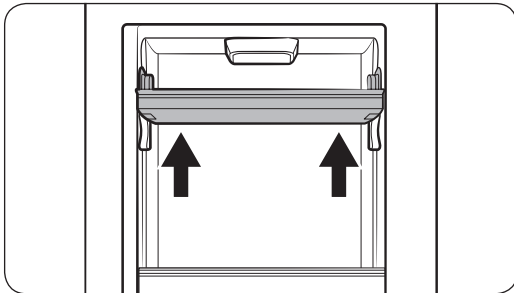
- Nous vous recommandons de retirer les bacs de la porte avant de retirer le tiroir. Cela permet d'éviter d'endommager les bacs de la porte.
- Pour réinsérer, insérez le tiroir dans les rails du cadre puis faites-le glisser vers l'intérieur.

Maintenance

Zone pour boissons (modèles applicables uniquement)

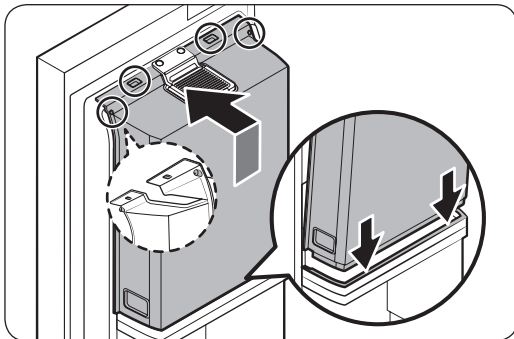
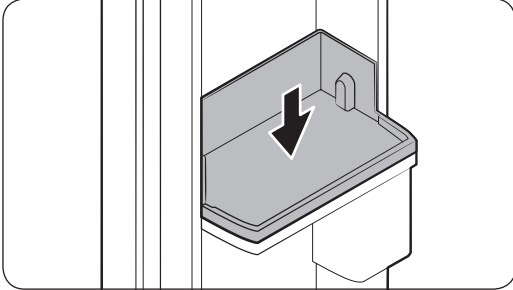
Vous pouvez sélectionner le mode **Beverage (Boissons)** ou **Wine/Dessert (Bouteilles de vin/Desserts)**. Rangez-y des articles qui sont adaptés au mode sélectionné.

Démontage de la Zone pour boissons



1. Ouvrez la **porte vitrine** gauche, puis soutenez le bac supérieur de la porte avec vos deux mains et soulevez-le pour le retirer.
2. Après avoir ouvert la **porte vitrine** gauche, ouvrez la porte du réfrigérateur. Ensuite, pressez la partie supérieure de la **Zone pour boissons** (côtés gauche et droit du ventilateur) depuis l'intérieur pour détacher les colliers Snap-Joint fixant le **cache de la Zone pour boissons** à la porte.
3. Si les colliers Snap-Joint sur la partie supérieure sont détachés, soutenez le **cache de la Zone pour boissons** et soulevez-le pour le retirer.
 - Après avoir démonté le **cache Zone pour boissons**, vous pouvez soutenir le bac inférieur de la porte avec vos deux mains et le soulever pour le retirer.

Installation de la Zone pour boissons



1. Une fois la porte du réfrigérateur ou la **porte vitrine** ouverte, alignez les rainures des côtés gauche et droit du bac inférieur de la porte, puis insérez-le.
2. Ouvrez la porte du réfrigérateur, puis installez les colliers Snap-Joint en bas et en haut du **cache de la Zone pour boissons** dans le bon ordre. (Ordre inversé par rapport au démontage)
 - Pour installer le bac supérieur de la porte, ouvrez la **porte vitrine**, alignez les rainures des côtés gauche et droit, puis insérez-le.

Maintenance

Nettoyage

Intérieur et extérieur

AVERTISSEMENT

- N'utilisez pas de benzène, de diluant, de nettoyeur domestique/pour voiture ou d'eau de Javel (Clorox™) pour nettoyer le réfrigérateur. Ces produits risquent d'endommager la surface du réfrigérateur et de provoquer un incendie.
- Évitez de vaporiser de l'eau directement sur le réfrigérateur. Cela est susceptible de provoquer un choc électrique.

Retirez régulièrement toutes les substances étrangères telles que la poussière ou l'eau des fiches de la prise électrique et des points de contact à l'aide d'un chiffon sec.

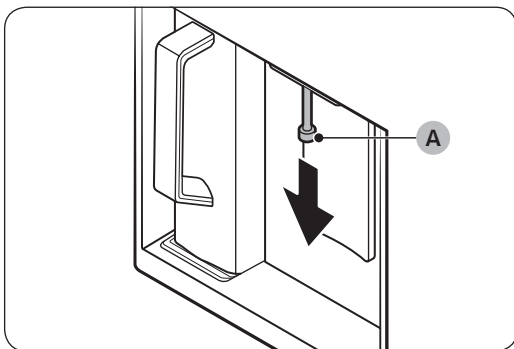
1. Débranchez le cordon d'alimentation.
2. Mouillez légèrement un chiffon doux non pelucheux ou une serviette en papier pour nettoyer l'intérieur et l'extérieur du réfrigérateur.
3. Ensuite, utilisez un chiffon sec ou une serviette en papier pour bien sécher les surfaces.
4. Branchez le cordon d'alimentation.

Caméra d'aperçu de l'intérieur (modèles applicables uniquement)

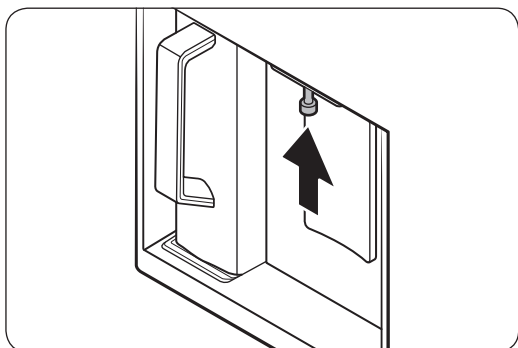
REMARQUE

Utilisez un coton-tige ou un chiffon en microfibre pour nettoyer la caméra située sur la partie supérieure du réfrigérateur (avec la porte du réfrigérateur ouverte).

Buse du distributeur (modèles applicables uniquement)



1. Attrapez l'extrémité de la buse du distributeur (A).
2. Tout en tournant la buse du distributeur (A) vers la gauche, tirez-la vers le bas pour la retirer du distributeur.



3. Nettoyez soigneusement la buse du distributeur, puis réinstallez-la.

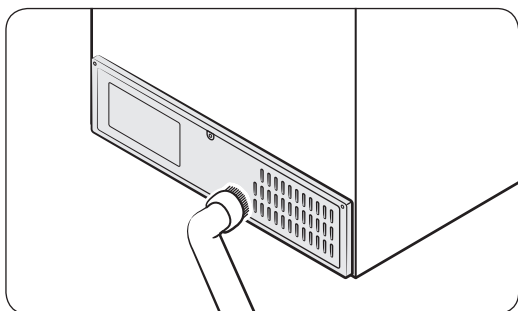
⚠ ATTENTION

- Insérez complètement la buse du distributeur, tel qu'elle était initialement installée.
- N'utilisez pas d'éponge à texture dure pour nettoyer la buse du distributeur.

Joint en caoutchouc

Si les joints en caoutchouc d'une porte se salissent, la porte peut ne pas se fermer correctement et les performances et l'efficacité du réfrigérateur peuvent être affectées. Utilisez un produit nettoyant et un chiffon doux pour nettoyer les joints en caoutchouc. Essuyez bien avec un chiffon.

Panneau arrière



Pour maintenir les cordons et les pièces exposées du panneau arrière propres, aspirez le panneau une ou deux fois par an.

⚠ ATTENTION

Ne retirez pas le cache du panneau arrière. Un choc électrique peut se produire.

Maintenance

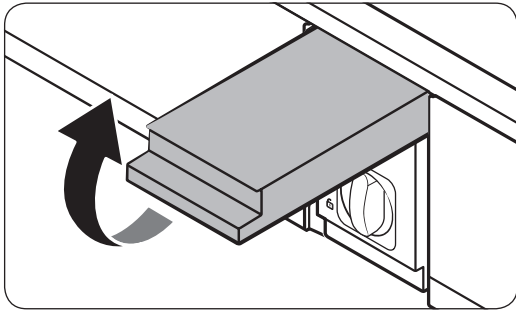
Remplacement

Filtre à eau (modèles applicables uniquement)

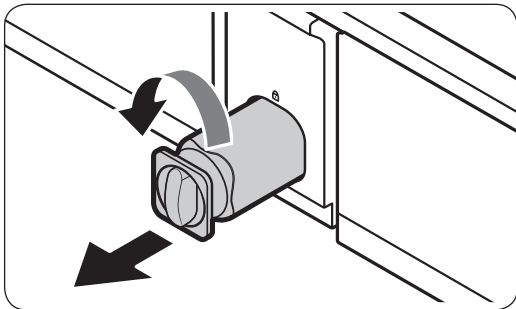
AVERTISSEMENT

- N'utilisez pas de filtres à eau de tiers. Utilisez uniquement des filtres fournis ou homologués Samsung.
- Les filtres non homologués peuvent fuir et endommager le réfrigérateur, entraînant alors un risque de choc électrique. Samsung ne peut être tenue responsable en cas de dommages découlant de l'utilisation de filtres à eau de tiers.

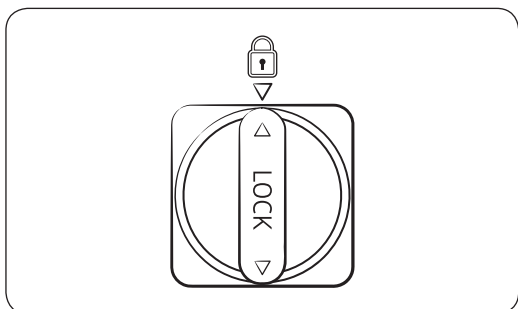
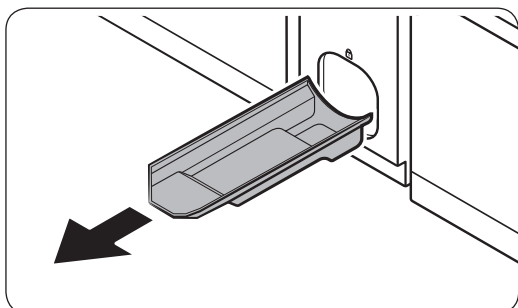
Le message « **Replace water filter (Remplacez le filtre à eau)** » s'affiche sur le panneau principal pour vous informer qu'il est temps de remplacer le filtre à eau. Avant de remplacer le filtre, assurez-vous que l'arrivée d'eau principale est coupée.



1. Coupez l'arrivée d'eau principale.
2. Ouvrez le cache de la cartouche du filtre.



3. Tournez le bouton de la cartouche du filtre de 90 degrés ($\frac{1}{4}$ de tour) dans le sens antihoraire. La cartouche de filtre se déverrouille.



4. Tirez dessus pour retirer la cartouche.
 - Si le filtre à eau est très contaminé, la cartouche peut être difficile à retirer. Si tel est le cas, utilisez la force pour retirer la cartouche.
 - Pour éviter les fuites d'eau au niveau de l'ouverture du filtre, gardez la cartouche dans l'axe lors de son retrait.
5. Mettez la nouvelle cartouche de filtre en place. Utilisez uniquement des filtres fournis ou homologués Samsung.
6. Tournez le bouton de la cartouche dans le sens horaire pour la verrouiller en place.
7. Fermez le cache de la cartouche du filtre.
8. Réinitialisez le filtre sur le panneau principal.
 - Modèles classiques : Sur le panneau principal, allez dans **Settings (Réglages)** puis lancez la fonction **Filter Reset (Réinitialisation du filtre)**.
 - Modèles Family Hub : Sur l'écran Accueil, appuyez doucement sur **Fridge Manager (Gestionnaire du réfrigérateur) > Fridge Settings (Réglages du réfrigérateur) > Water Filter (Filtre à eau)**, puis sélectionnez **Reset (Réinitialisation)**.

REMARQUE

- De l'eau peut brièvement gicler du distributeur d'eau si le filtre a récemment été installé. Cela est dû à l'air pénétrant dans la conduite d'eau.
- Après le processus de remplacement, le distributeur d'eau peut goutter pendant une courte durée. S'il goutte, essuyez simplement l'eau présente sur le sol à l'aide d'un chiffon sec.

Maintenance

Système de filtration d'eau d'osmose inverse

La pression d'eau du système d'alimentation en eau vers un système de filtration d'eau par osmose inverse doit être comprise entre 30 et 125 psi (206 et 861 kPa).

La pression d'eau du système de filtration d'eau par osmose inverse vers la conduite d'eau froide du réfrigérateur doit être d'au moins 30 psi (206 kPa). Si la pression d'eau est inférieure à ces spécifications :

- Vérifiez si le filtre sédiment du système d'osmose inverse n'est pas obstrué. Remplacez le filtre si nécessaire.
- Remplissez à nouveau le réservoir d'eau dans le système d'osmose inverse avec de l'eau.
- Si votre réfrigérateur est équipé d'un filtre à eau, cela peut réduire davantage la pression de l'eau s'il est utilisé en conjonction avec un système d'osmose inverse. Retirez le filtre à eau.

Pour plus d'informations ou un entretien, contactez un plombier professionnel autorisé.

Commander un filtre neuf

Pour acheter un filtre à eau neuf, communiquez avec un centre de service Samsung local ou consultez le site Web www.samsungparts.com.

Ampoules à DEL

Pour remplacer les ampoules du réfrigérateur, contactez un centre de service Samsung local.

AVERTISSEMENT

- Les ampoules ne peuvent pas être remplacées par l'utilisateur. N'essayez pas de remplacer une ampoule par vous-même. Cette opération peut causer un choc électrique.

Panneau de porte (modèles applicables uniquement)

Vous pouvez sélectionner le panneau de porte que vous préférez pour votre réfrigérateur BESPOKE. Achetez le panneau de porte dans un magasin Samsung et un installateur agréé l'installera pour vous.

ATTENTION

- Si vous démontez ou montez vous-même le panneau de porte, vous risquez d'endommager l'appareil ou de vous blesser. Si vous rencontrez des problèmes avec le panneau de porte, communiquez avec un centre de service Samsung.
- Des frais d'intervention peuvent être facturés pour le remplacement du panneau, même pendant la période de garantie.

Dépannage

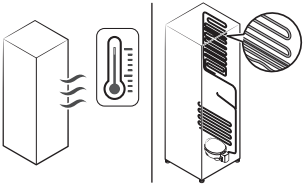
Avant de communiquer avec un centre de dépannage, vérifiez les symptômes et les solutions recommandées ci-dessous. Si aucune des solutions proposées ne résout votre problème, veuillez consulter notre site Web www.samsung.com ou appeler le centre d'assistance clientèle Samsung au 1-800-SAMSUNG (726-7864). Veuillez noter que toute intervention de dépannage au cours de laquelle aucune défaillance n'est trouvée vous sera facturée.

Généralités

Température

Symptôme	Causes possibles	Solution
Le réfrigérateur/ congélateur ne fonctionne pas. La température du réfrigérateur/congélateur est élevée.	<ul style="list-style-type: none">Le cordon d'alimentation est mal branché.	<ul style="list-style-type: none">Branchez correctement le cordon d'alimentation.
	<ul style="list-style-type: none">Le contrôle de la température n'est pas réglé correctement.	<ul style="list-style-type: none">Abaissez la température.
	<ul style="list-style-type: none">Le réfrigérateur se trouve à proximité d'une source de chaleur ou est en contact direct avec les rayons du soleil.	<ul style="list-style-type: none">Éloignez votre réfrigérateur de la lumière directe du soleil et de toute source de chaleur.
	<ul style="list-style-type: none">Espace insuffisant entre le réfrigérateur et les murs ou armoires à proximité.	<ul style="list-style-type: none">Nous recommandons de laisser un espace de plus de 2" (50 mm) entre le réfrigérateur et les murs (ou meubles) situés autour.
	<ul style="list-style-type: none">Le réfrigérateur est surchargé. Les orifices d'aération du réfrigérateur sont obstrués par des aliments.	<ul style="list-style-type: none">Ne surchargez pas le réfrigérateur. Veillez à ce que les orifices d'aération ne soient pas bloqués par des aliments.
Le réfrigérateur/ congélateur refroidit trop.	<ul style="list-style-type: none">Le contrôle de la température n'est pas réglé correctement.	<ul style="list-style-type: none">Augmentez la température.

Dépannage

Symptôme	Causes possibles	Solution
Les parois intérieures sont chaudes.	<ul style="list-style-type: none"> Le réfrigérateur est équipé de tuyaux résistants à la chaleur dans la paroi intérieure. 	<ul style="list-style-type: none"> Pour prévenir de la condensation, le réfrigérateur est équipé de tuyaux résistants à la chaleur dans les coins avant. Lorsque la température ambiante augmente, cet équipement peut ne pas fonctionner correctement. Il ne s'agit pas d'un dysfonctionnement du système. 

Odeurs

Symptôme	Causes possibles	Solution
Le réfrigérateur dégage des odeurs.	<ul style="list-style-type: none"> Aliments abîmés. 	<ul style="list-style-type: none"> Nettoyez le réfrigérateur et retirez tout aliment abîmé.
	<ul style="list-style-type: none"> Aliments dégageant de fortes odeurs. 	<ul style="list-style-type: none"> Assurez-vous que les aliments dégageant de fortes odeurs sont emballés de manière hermétique.

Givre

Symptôme	Causes possibles	Solution
Givre autour des aérations.	<ul style="list-style-type: none"> Les orifices d'aération sont obstrués par des aliments. 	<ul style="list-style-type: none"> Assurez-vous qu'aucun aliment n'obstrue les orifices d'aération du réfrigérateur.
Givre sur les parois intérieures.	<ul style="list-style-type: none"> La porte n'est pas fermée correctement. 	<ul style="list-style-type: none"> Assurez-vous qu'aucun aliment ne bloque la porte. Nettoyez le joint de la porte.
Des fruits ou des légumes sont congelés.	<ul style="list-style-type: none"> Les fruits et les légumes sont stockés dans la Zone ajustable. 	<ul style="list-style-type: none"> Ne stockez pas la plupart des fruits et légumes dans la Zone ajustable.

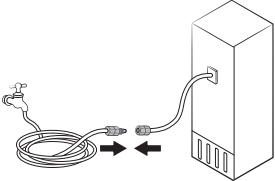
Condensation

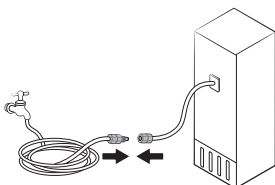
Symptôme	Causes possibles	Solution
De la condensation se forme sur les parois intérieures.	• Si la porte reste ouverte, de l'humidité entre dans le réfrigérateur.	• Éliminez l'humidité, évitez d'ouvrir la porte trop souvent ou de la laisser ouverte trop longtemps.
	• Des aliments contiennent une humidité élevée.	• Assurez-vous que ces aliments sont emballés de manière hermétique.

Eau/Glace (modèles avec distributeur uniquement)

Symptôme	Causes possibles	Solution
Le débit d'eau est plus faible qu'en temps normal.	• La pression de l'eau est trop basse.	• Assurez-vous que la pression d'eau se situe entre 30 et 125 psi (206 et 861 kPa).
La machine à glaçons émet un bourdonnement.	• La fonction Machine à glaçons est activée mais l'arrivée d'eau n'a pas été raccordée au réfrigérateur.	• Éteignez la machine à glaçons.
La machine à glaçons ne produit pas de glace.	• La machine à glaçons vient d'être installée.	• Vous devez attendre 24 heures jusqu'à ce que le réfrigérateur produise de la glace.
	• La température du congélateur est trop élevée.	• Réglez la température du congélateur en dessous de 0 °F (-18 °C) ou -4 °F (-20 °C) si l'air ambiant est chaud.
	• La machine à glaçons est éteinte.	• Allumez la machine à glaçons.

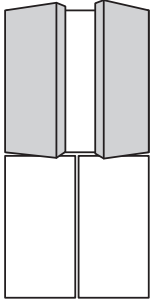
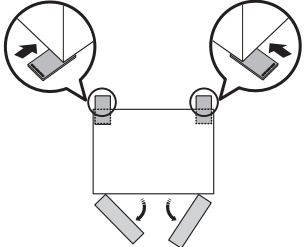
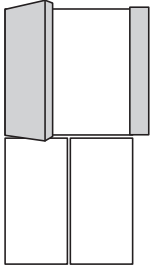
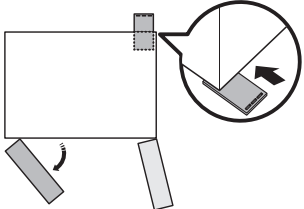
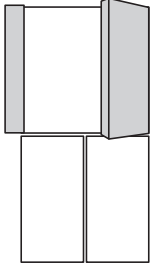
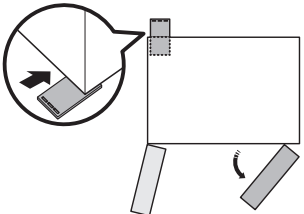
Dépannage

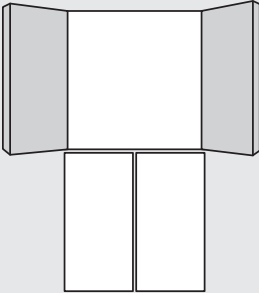
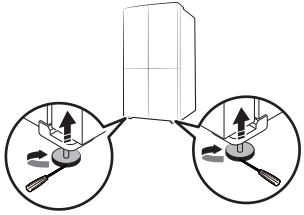
Symptôme	Causes possibles	Solution
La glace ne s'écoule pas.	<ul style="list-style-type: none">La glace peut se coincer si le distributeur de glace n'est pas utilisé pendant une période prolongée (environ 3 semaines).	<ul style="list-style-type: none">Si vous savez que vous n'allez pas utiliser votre réfrigérateur pendant une période prolongée, videz le bac à glaçons et éteignez la machine à glaçons.
	<ul style="list-style-type: none">Le bac à glaçons n'est pas inséré correctement.	<ul style="list-style-type: none">Assurez-vous que le bac à glaçons est inséré correctement.
	<ul style="list-style-type: none">La conduite d'eau n'est pas raccordée correctement ou l'arrivée d'eau n'est pas activée.	<ul style="list-style-type: none">Vérifiez les conditions de l'installation d'eau. 

Symptôme	Causes possibles	Solution
L'eau ne s'écoule pas.	<ul style="list-style-type: none"> La conduite d'eau n'est pas raccordée correctement ou l'arrivée d'eau n'est pas activée. 	<ul style="list-style-type: none"> Vérifiez les conditions de l'installation d'eau. 
	<ul style="list-style-type: none"> Un filtre provenant d'un tiers a été installé. 	<ul style="list-style-type: none"> Utilisez uniquement des filtres fournis ou homologués Samsung. Les filtres non homologués peuvent fuir ou endommager le réfrigérateur.
	<p>Modèles classiques</p> <ul style="list-style-type: none"> Le message « Replace water filter (Remplacez le filtre à eau) » s'affiche sur le panneau principal. <p>Modèles Family Hub</p> <ul style="list-style-type: none"> Le voyant Filtre à eau s'allume en rouge. 	<p>Modèles classiques</p> <ul style="list-style-type: none"> Remplacez le filtre à eau. Ensuite, sur le panneau principal, allez dans Settings (Réglages) puis lancez la fonction Filter Reset (Réinitialisation du filtre). <p>Modèles Family Hub</p> <ul style="list-style-type: none"> Remplacez le filtre à eau. Une fois le remplacement terminé, réinitialisez le filtre dans Fridge Manager (Gestionnaire du réfrigérateur) > Fridge Settings (Réglages du réfrigérateur) > Water Filter (Filtre à eau).

Dépannage

Fonction Ouverture automatique de la porte (modèles applicables uniquement)

Symptôme		Causes possibles	Solution
Les portes du réfrigérateur ne s'ouvrent pas suffisamment en grand.	Les deux portes 	<ul style="list-style-type: none"> L'arrière du réfrigérateur est bas. 	<ul style="list-style-type: none"> Rehaussez l'arrière du réfrigérateur pour le mettre de niveau. * 
	Porte gauche 	<ul style="list-style-type: none"> Le côté arrière droit du réfrigérateur est bas. 	<ul style="list-style-type: none"> Rehaussez le côté arrière droit du réfrigérateur pour le mettre de niveau. * 
	Porte droite 	<ul style="list-style-type: none"> Le côté arrière gauche du réfrigérateur est bas. 	<ul style="list-style-type: none"> Rehaussez le côté arrière gauche du réfrigérateur pour le mettre de niveau. * 

Symptôme	Causes possibles	Solution
<p>Le degré d'ouverture des portes du réfrigérateur est trop grand.</p> 	<ul style="list-style-type: none"> L'avant du réfrigérateur est bas. 	<ul style="list-style-type: none"> Rehaussez l'avant du réfrigérateur pour le mettre de niveau.* 

* Pour obtenir plus d'informations sur la méthode pour mettre le réfrigérateur de niveau, reportez-vous à la section « ÉTAPE 4 Mise à niveau du réfrigérateur » en page 33.

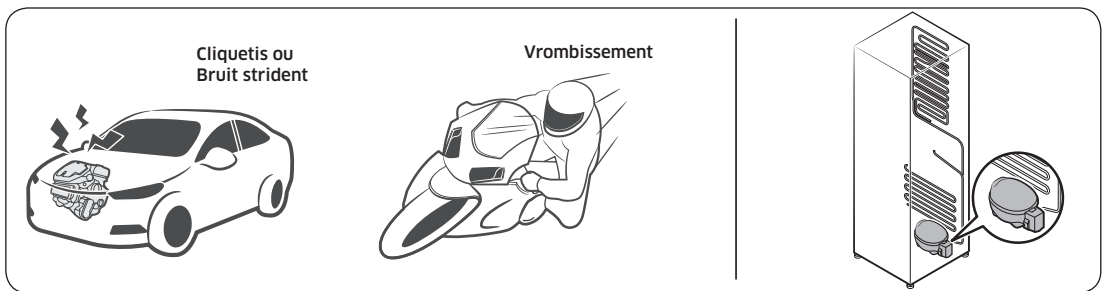
Dépannage

Votre réfrigérateur émet-il un bruit anormal ?

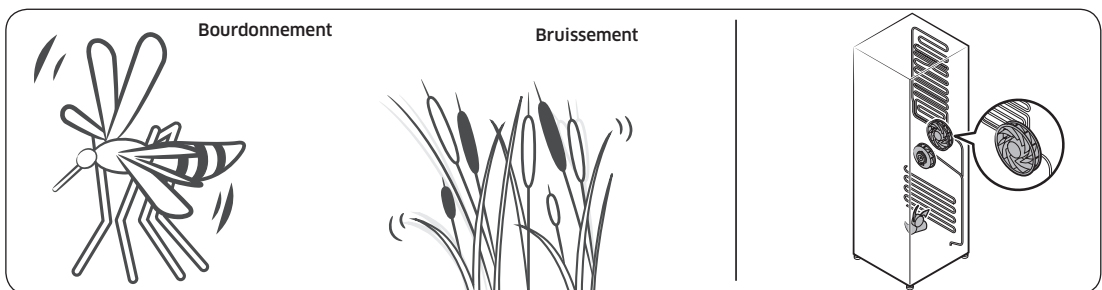
Avant de communiquer avec un centre de dépannage, vérifiez les points ci-dessous. Si vous avez toujours des questions concernant des bruits émis par votre réfrigérateur, veuillez appeler le centre d'assistance clientèle Samsung au 1-800-SAMSUNG (726-7864). Veuillez noter que toute intervention de dépannage concernant des bruits normaux de fonctionnement pour lesquels aucune défaillance n'est trouvée vous sera facturée.

Ces bruits sont normaux.

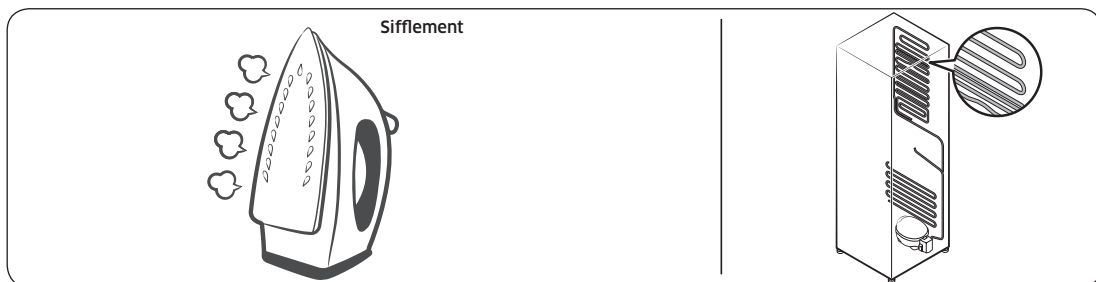
- Lorsque vous démarrez ou arrêtez une opération, le réfrigérateur peut émettre un son similaire à celui d'un moteur de voiture au démarrage. Ces bruits s'atténueront au fur et à mesure que l'opération se stabilise.



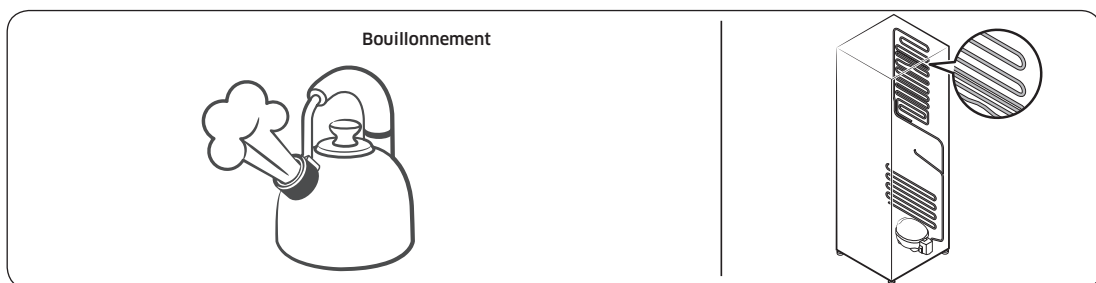
- Ces bruits peuvent être émis lorsque le ventilateur est en marche. Lorsque le réfrigérateur a atteint la température réglée, le ventilateur ne produit plus de bruit.



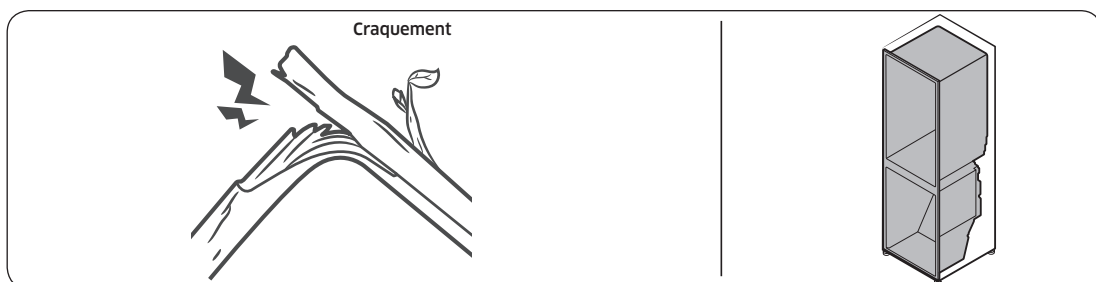
- Lors d'un cycle de dégivrage, de l'eau peut s'écouler sur la résistance de dégivrage et provoquer un grésillement.



- Lorsque le réfrigérateur refroidit ou congèle, du gaz réfrigérant se déplace à travers les conduites étanches et peut provoquer un bruit de bouillonnement.



- Lorsque la température du réfrigérateur augmente ou diminue, les pièces en plastique se contractent et s'étirent, ce qui peut créer des bruits de cognement. Ces bruits se manifestent lors du cycle de dégivrage ou lorsque les pièces électroniques sont en marche.



- Pour les modèles avec machine à glaçons : Lorsque le robinet d'adduction d'eau s'ouvre pour alimenter la machine à glaçons, il se peut que vous entendiez un son de bourdonnement.
- En raison de l'égalisation de la pression au moment de l'ouverture et de la fermeture de la porte du réfrigérateur, il se peut que vous entendiez un son de souffle.

Dépannage

SmartThings

Symptôme	Action
L'application « SmartThings » est introuvable sur le marché des applications.	<ul style="list-style-type: none">La version du logiciel de soutien de l'application SmartThings est soumise à modifications en fonction de la politique de prise en charge du système d'exploitation fournie par le fabricant. En outre, comme pour l'application SmartThings ou les fonctions prises en charge par l'application, la nouvelle politique de mise à jour de l'application sur la version existante du système d'exploitation est susceptible d'être suspendue pour des raisons d'utilité ou de sécurité.
L'application SmartThings ne fonctionne pas.	<ul style="list-style-type: none">L'application SmartThings est disponible pour les modèles applicables uniquement.L'ancienne application Samsung Smart Refrigerator ne peut pas se connecter à des modèles Samsung Smart Home.
L'application SmartThings est installée mais n'est pas connectée à mon réfrigérateur.	<ul style="list-style-type: none">Vous devez vous connecter à votre compte Samsung pour pouvoir utiliser l'application.Assurez-vous que votre routeur fonctionne normalement.Si vous n'avez pas connecté votre réfrigérateur à l'application SmartThings une fois cette dernière installée, vous devez établir la connexion à l'aide de la fonction d'enregistrement de l'appareil sur l'application.
Connexion à l'application impossible.	<ul style="list-style-type: none">Vous devez vous connecter à votre compte Samsung pour pouvoir utiliser l'application.Si vous n'avez pas de compte Samsung, suivez les instructions de l'application affichées à l'écran pour en créer un.
Un message d'erreur apparaît lorsque j'essaie d'enregistrer mon réfrigérateur.	<ul style="list-style-type: none">Easy Connection (Connexion facile) peut échouer en raison de la distance par rapport au point d'accès (PA) ou d'interférences électriques provenant de l'environnement. Attendez un moment puis réessayez.
L'application SmartThings est bien connectée à mon réfrigérateur mais ne fonctionne pas.	<ul style="list-style-type: none">Quittez puis redémarrez l'application SmartThings, ou déconnectez et reconnectez le routeur.Débranchez le cordon d'alimentation du réfrigérateur, puis branchez-le à nouveau après 1 minute.

Écran LCD

(Applicable uniquement aux modèles Family Hub)

Symptôme	Action
Je ne parviens pas à me connecter à ma TV.	<ul style="list-style-type: none">• Vérifiez si votre téléviseur prend en charge la fonction TV to Mobile (Téléviseur vers mobile).<ul style="list-style-type: none">- Le nom du modèle de votre téléviseur figure sur l'étiquette apposée à l'arrière de votre téléviseur ou dans le menu des réglages de votre téléviseur.- Recherchez le nom de votre modèle sur le site Internet de Samsung et consultez la section des caractéristiques techniques pour voir si votre modèle prend en charge la fonction.- 2015-2016 : (Modèles J/K) : Série JU6400/KU6400 ou ultérieure- 2017 : Q6FM ou ultérieure, MU6400 ou ultérieure, LS003(frame)- 2018 : Q6FN ou ultérieure, NU7400 ou ultérieure, LS03N(frame)- 2019 : Q60R ou ultérieure, LS03R(frame), LS01R(serif), LS05R(sero. Corée uniquement)- Modèles commercialisés en 2020 et après : série Q70 ou ultérieure, série LS01 (serif), série LS03 (frame, sauf les modèles en 32"), série LS05 (sero).• Les connexions au réseau peuvent subir des interruptions temporaires. Éteignez votre TV puis réessayez.
L'image de l'aperçu intérieur semble bombée ou incomplète.	<ul style="list-style-type: none">• Les bords de l'image de l'aperçu intérieur peuvent sembler bombés. Cela est dû à la lentille convexe de la caméra.• L'image de l'aperçu intérieur peut être incomplète en raison des angles morts sur les bords gauche et droit, ou être tramée selon la disposition des aliments. Assurez-vous de placer les aliments au centre et devant.
La mesure affichée sur le Gestionnaire du réfrigérateur n'est pas correcte.	<ul style="list-style-type: none">• Les conditions affichées peuvent différer de la température et du taux d'humidité réels.

Dépannage

Smart Grid (Réponse à la demande)

(modèles applicables uniquement)

Symptôme	Action
De quoi ai-je besoin pour utiliser les fonctions Gestion de l'énergie et Smart Grid (Réponse à la demande) ?	<p>Pour utiliser les fonctions Smart Grid (Réponse à la demande) et Gestion de l'énergie de votre réfrigérateur, les éléments suivants sont nécessaires :</p> <p>Appareils</p> <ul style="list-style-type: none">• Un point d'accès sans fil (routeur)• Un réfrigérateur Samsung prenant en charge la fonction Gestion de l'énergie• Un smartphone <p>Enregistrement</p> <ul style="list-style-type: none">• Connectez votre réfrigérateur au réseau Wi-Fi de votre maison.• Souscrivez au service EMS (système de gestion de l'énergie) auprès de votre fournisseur d'électricité. Celui-ci doit disposer d'un système de gestion de l'énergie (EMS, Energy Management System) prenant en charge les profils SEP (Smart Energy Profile). <p>Application</p> <ul style="list-style-type: none">• Téléchargez l'application SmartThings sur Google Play Store, Apple App Store ou Samsung Galaxy Apps.• Installez et lancez l'application SmartThings sur votre smartphone.
Pourquoi la fonction Gestion de l'énergie ne fonctionne-t-elle pas correctement ?	<ul style="list-style-type: none">• Assurez-vous que le routeur de votre maison fonctionne normalement avec un service et une connexion Internet appropriés.• Assurez-vous que le réfrigérateur est connecté au point d'accès (routeur). <p>Points à vérifier</p> <ul style="list-style-type: none">• Connectez votre smartphone au routeur (PA, point d'accès), puis vérifiez si vous pouvez naviguer sur Internet depuis le smartphone.
Pourquoi la fonction de dégivrage différé ne fonctionne-t-elle pas correctement ?	<ul style="list-style-type: none">• Assurez-vous que le routeur de votre maison fonctionne normalement avec un service et une connexion Internet appropriés.

Informations relatives à la garantie (CANADA)

Si votre réfrigérateur doit être réparé

N'hésitez pas à appeler un centre de service autorisé Samsung proche en lui communiquant vos nom, adresse et numéro de téléphone lorsque votre appareil ne fonctionne pas correctement.

Garantie limitée à l'acheteur initial

Cet appareil Samsung est garanti par Samsung Electronics Canada, Inc. (désigné ci-après par SECA) contre les défauts de fabrication matériels ou une malfaçon durant les périodes suivantes :

Main d'œuvre: 1 an (à domicile)

Pièces: 1 an

Compresseurs Inverter: 10 ans (pièce uniquement)

SECA garantit en outre que si cet appareil ne fonctionne pas correctement durant la période de garantie spécifiée et que le dysfonctionnement est dû à une malfaçon ou à un matériau défectueux, SECA réparera ou remplacera l'appareil à sa discrétion. Le service à domicile n'est pas offert partout. Communiquez avec nous pour savoir si le service à domicile est actuellement offert dans votre région en utilisant les coordonnées se trouvant au dos de votre garantie.

Toutes les réparations ou tous les remplacements de pièces sous garantie doivent être effectués par un centre de service autorisé SECA. (Pour localiser le centre de service SECA le plus proche, appelez le 1 800 SAMSUNG (726-7864) ou visitez notre site Web à l'adresse www.samsung.com/ca)

Obligation du propriétaire initial

Le reçu de vente daté initial doit être conservé par le client et il s'agit de la seule preuve d'achat acceptable. Il doit être présenté au centre de service autorisé SECA au moment de la demande de service avant que les services de garantie ne soient rendus. Pour tous les modèles portatifs, le transport vers et depuis le centre de service autorisé relève de la responsabilité du client.

Informations relatives à la garantie (CANADA)

Exclusions de la garantie

Cette garantie ne couvre pas les dommages provoqués par un accident, un incendie, une inondation et/ou toutes autres catastrophes naturelles, une manipulation, une tension d'alimentation ou une installation incorrectes, des réparations incorrectes ou non-autorisées, une utilisation commerciale ou enfin des dommages survenus au cours de l'expédition. Les ajustements de la part du client qui sont expliqués dans ce guide d'utilisation ne sont pas couverts par les dispositions de la présente garantie. Cette garantie sera automatiquement annulée pour tout appareil reçu avec un numéro de série manquant ou modifié. Cette garantie est valide uniquement pour les produits achetés et utilisés au Canada.

SAMSUNG SERVICE À LA CLIENTÈLE

Samsung Electronics Canada Inc.
2050 Derry Road West,
Mississauga, Ontario L5N 0B9
Canada
1-800-SAMSUNG (726-7864)
www.samsung.com/ca/support (English)
www.samsung.com/ca_fr/support (French)

Avis d'application de la réglementation

Avis de la FCC

MISE EN GARDE DE LA FCC :

Tout changement ou modification, non expressément approuvé par la partie responsable de la conformité, peut annuler l'autorisation de l'utilisateur à utiliser cet équipement.

Cet appareil contient le module émetteur.

Cet appareil est conforme aux exigences de la partie 15 du règlement de la FCC. Son utilisation est assujettie aux deux conditions suivantes :

- (1) Cet appareil ne doit pas provoquer d'interférences préjudiciables ; et
- (2) Il doit absorber tout type d'interférence, y compris les interférences pouvant causer un fonctionnement non désiré.

Pour les appareils proposés sur les marchés des États-Unis et du Canada, seuls les canaux 1 à 11 peuvent être utilisés.

Vous ne pouvez pas sélectionner d'autres canaux.

DÉCLARATION DE LA FCC :

Cet appareil a été testé et classé conforme aux limites de la catégorie des appareils numériques de classe B conformément avec la partie 15 du règlement de la FCC. Ces limites sont conçues pour fournir une protection raisonnable contre les interférences préjudiciables dans une installation domestique.

Cet appareil génère, utilise et émet des fréquences radioélectriques et peut, en cas d'installation ou d'utilisation non conforme aux instructions, engendrer des interférences préjudiciables au niveau des communications radio. Cependant, il se peut que des interférences se produisent dans une installation particulière. En cas d'interférences avec la réception radiophonique ou télévisuelle, qui peuvent être vérifiées en mettant l'équipement hors puis sous tension, l'utilisateur peut tenter de résoudre le problème de l'une des façons suivantes :

- Réorienter ou repositionner l'antenne de réception
- Augmenter l'espacement entre l'équipement et le récepteur
- Brancher l'équipement à une prise se trouvant sur un circuit différent de celui auquel le récepteur est branché
- Consulter le fournisseur ou un technicien en radio et télévision expérimenté pour obtenir de l'aide

DÉCLARATION DE LA FCC SUR L'EXPOSITION AUX RAYONNEMENTS :

Cet équipement répond aux limites de la FCC sur l'exposition aux rayonnements établies pour un environnement non contrôlé.

Cet équipement doit être installé et utilisé à une distance minimale de 8 pouces (20 cm) entre le radiateur et votre corps. Cet appareil et ses antennes ne doivent pas être co-localisés ou fonctionner en conjonction avec toute autre antenne ou émetteur, sauf s'il/elle est conforme aux procédures relatives aux produits à émetteurs multiples de la FCC.

Avis d'application de la réglementation

Déclaration de conformité au règlement de la FCC (modèles applicables uniquement)

Modèle	RF29DB990012, RF29DB9900QL, RF23DB990012, RF23DB9900QL
Variante du modèle	RF29DB9900**, RF23DB9900** (Le symbole « * » peut correspondre à n'importe quel caractère alphanumérique.)
Partie responsable - Coordonnées aux États-Unis	Samsung Electronics America, Inc. 85 Challenger Road. Ridgefield Park. NJ 07660 Téléphone : 1-800-SAMSUNG (726-7864)

Cet appareil est conforme aux exigences de la partie 15 du règlement de la FCC. Son utilisation est assujettie aux deux conditions suivantes : (1) Cet appareil ne doit pas causer d'interférences nuisibles ; et (2) Cet appareil doit accepter tout type d'interférence reçue, y compris les interférences pouvant causer un fonctionnement non désiré.

Avis d'IC

Cet appareil contient le module émetteur.

Le terme « IC » placé avant le numéro de certification pour les radiofréquences signifie seulement que les spécifications techniques d'Industry Canada ont été respectées. Son utilisation est assujettie aux deux conditions suivantes : (1) cet appareil ne doit pas provoquer d'interférences ; et (2) il doit absorber tout type d'interférence, y compris les interférences pouvant causer un fonctionnement non désiré.

Cet appareil numérique de classe B est conforme à la norme NMB-003 du Canada.

Pour les appareils proposés sur les marchés des États-Unis et du Canada, seuls les canaux 1 à 11 peuvent être utilisés. Vous ne pouvez pas sélectionner d'autres canaux.

DÉCLARATION D'IC SUR L'EXPOSITION AUX RAYONNEMENTS :

Cet équipement répond aux limites de la norme RSS-102 d'IC sur l'exposition aux rayonnements établies pour un environnement non contrôlé. Cet équipement doit être installé et utilisé à une distance minimale de 8 pouces (20 cm) entre le radiateur et votre corps. Cet appareil et ses antennes ne doivent pas être co-localisés ou fonctionner en conjonction avec toute autre antenne ou émetteur, sauf s'il/elle est conforme aux procédures relatives aux produits à émetteurs multiples de la FCC.

CONSERVEZ CES INSTRUCTIONS

Open Source Announcement

(Applicable to general type only. For Family Hub type, refer to the online manual.)

The software included in this product contains open source software.

The following URL http://opensource.samsung.com/opensource/SMART_TP1_0/seq/0 leads to open source license information as related to this product.



Mémo

Mémo



Scan the QR code* or visit
www.samsung.com/spsn
 to view our helpful
 How-to Videos and Live Shows

* Requires reader to be installed on your
 smartphone

Scan this with your smartphone

Prendre contact avec SAMSUNG WORLD WIDE

Si vous avez des questions ou des commentaires sur les produits Samsung, veuillez prendre contact avec le centre d'assistance clientèle SAMSUNG.

Pays	Centre d'appels	Site Internet
U.S.A	1-800-SAMSUNG (726-7864) 1-844-SAM-PAYS (726-7297)	www.samsung.com/us/support
CANADA	1-800-SAMSUNG (726-7864) 1-844-SAM-PAYS (726-7297)	www.samsung.com/ca/support (English) www.samsung.com/ca_fr/support (French)

