

F I S H E R & P A Y K E L


SINGLE DISHDRAWER™ DISHWASHER


DD24SI, DD24STI & DD24SHTI models

INSTALLATION GUIDE

US CA

591386 A 08.17

⚠ WARNING!	
	<p>Electrical Shock Hazard Before installing the dishwasher, remove the house fuse or open the circuit breaker. If permanently connecting the dishwasher, be sure the power is isolated and the dishwasher unplugged.</p>
	<p>GROUNDING INSTRUCTIONS This appliance must be grounded. In the event of a malfunction or breakdown, grounding will reduce the risk of electric shock by providing a path of least resistance for electric current. This appliance is equipped with a cord having an equipment-grounding conductor and a grounding plug. The plug must be plugged into an appropriate outlet that is installed and grounded in accordance with all local codes and ordinances. WARNING - Improper connection of the equipment-grounding conductor can result in a risk of electric shock. Check with a qualified electrician or service representative if you are in doubt as to whether the appliance is properly grounded.</p>
	<p>If the dishwasher is installed as a permanently connected appliance: GROUNDING INSTRUCTIONS - This appliance must be connected to a grounded metal, permanent wiring system, or an equipment-grounding conductor must be run with the circuit conductors and connected to the equipment-grounding terminal or lead on the appliance. Do not modify the power supply plug provided with the appliance - if it will not fit the outlet, have a proper outlet installed by a qualified electrician. Do not use an extension cord, adapter plug or multiple outlet box. Failure to follow this advice may result in electrical shock or death.</p>

⚠ WARNING!	
<p>Fitting integrated front panels requires access to electrical service areas. This work must be performed and certified by a qualified electrical service technician.</p>	
	<p>Electrical Shock Hazard WARNING: To reduce the risk of electrical shock, fire, or injury to persons, the installer must ensure that the dishwasher is completely enclosed at the time of installation.</p>
	<p>Before fitting the front panels and connecting the 'knock to pause' module (if necessary), the installer must ensure that the dishwasher is disconnected from the power supply. After installing the front panels, the installer must ensure that the following components are electrically grounded: the panel bracket and any custom metal component (e.g. handle) that extends past the rubber seal. Failure to follow these warnings may result in electrical shock, injury or fire.</p>

⚠ WARNING!	
	<p>Cut Hazard Take care - panel edges are sharp. Failure to use caution could result in injury or cuts.</p>

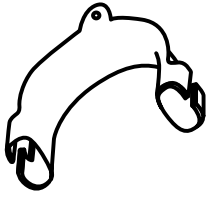
IMPORTANT SAFETY INSTRUCTIONS

- Installation of this dishwasher requires basic mechanical and electrical skills.
- Be sure to leave these Instructions with the Customer.
- Installation must comply with your local building, electricity, and plumbing regulations.
- At the completion of the dishwasher installation, the Installer must perform the Final Checklist.
- Remove all packaging materials supplied with the dishwasher.
- This dishwasher is manufactured for indoor use only.
- Ensure all water connections are turned OFF. It is the responsibility of the plumber and electrician to ensure that each installation complies with all Codes and Regulations.
- The dishwasher **MUST** be installed to allow for future removal from the enclosure if service is required.
- The switched power outlet must be outside the dishwasher cavity, so that it is accessible after installation.
- Care should be taken when the appliance is installed or removed to reduce the likelihood of damage to the power supply cord and hoses.
- If the dishwasher is to be relocated from one installation to another it must be kept upright to avoid damage from water spillage.
- Make sure only new hoses are used for connection (supplied with the dishwasher). Old hoses should not be reused.
- Failure to install the dishwasher correctly could invalidate any warranty or liability claims.
- If the product is installed in a motor vehicle, boat or similar mobile facility, you must bring the vehicle, boat or mobile facility containing the product to the service shop at your expense or pay the service technician's travel to the location of the product.
- This dishdrawer is intended for connection to the hot-water supply.
- Failure to install the dishwasher correctly could invalidate any warranty or liability claims.
- Ensure the product is not plugged in when fitting custom panels.
- Installation of custom panels requires basic mechanical and electrical skills.
- Installation must comply with your local building and electricity regulations.
- Failure to install the custom panels correctly could invalidate any warranty or liability claims.

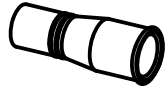
IMPORTANT! SAVE THESE INSTRUCTIONS

The models shown in this installation guide may not be available in all markets and are subject to change at any time. For current details about model and specification availability in your country, please go to our website www.fisherpaykel.com or contact your local Fisher & Paykel dealer.

② PARTS SUPPLIED



Drain hose support (1)



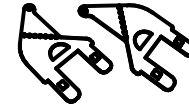
Drain hose joiner (1)



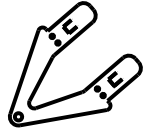
Wire clip (1)
(for securing
Drain hose joiner)



Clamp (1)
(for securing
Drain hose joiner)



Side mounting
bracket kit
(A and B) (2)
OPTIONAL



Top
mounting
brackets (2)
OPTIONAL



Phillips
16 mm
screws (7)



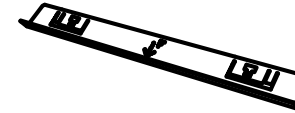
38 mm
bottom fixing
screws & metal
washers (2)



Rubber washer
for inlet hose (1)
(comes already
fitted)

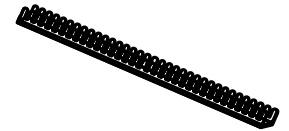


Moisture protection
tape (1)
(to prevent moisture
damage to cabinetry)

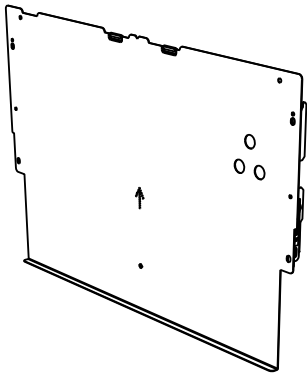


Cavity Bracket Kit (1)
(supplied with Tall
Height Models only)

(fitted before installation
in order to conceal
the gap at the top of
the cavity left after
installation.)



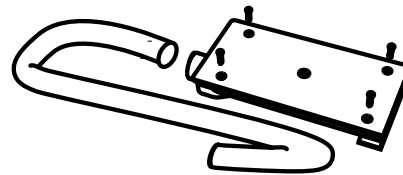
Edge Protector (1)
(If the services hole
is through a metal
partition, the hole must
be protected with the
Edge Protector supplied
to prevent damage to the
power cord or hoses.)



Panel bracket (1)
& Knock-to-Pause Module (1)
(shipped fixed to product)



Panel mounting
screws (6)



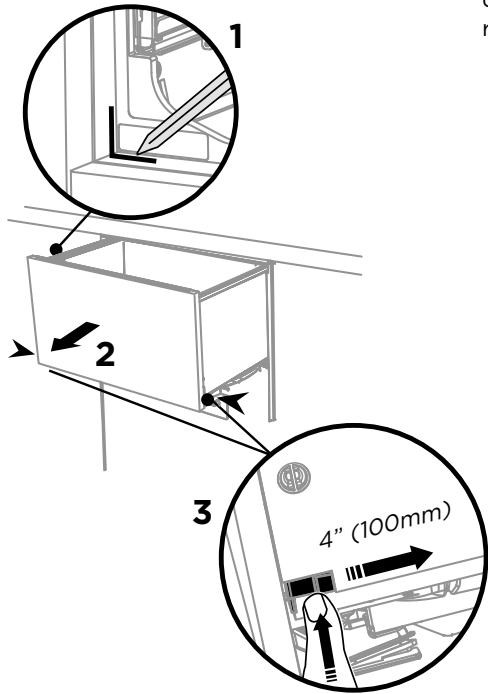
External Venting kit (1)

If the Drain hoses supplied are not long enough to reach your services, you must use a Drain Hose Extension Kit P/N 525798 which will extend the drain hoses by 11' 10" (3.6m). The kit is available from the nearest Fisher & Paykel Authorized Service Center, or Toll free 1.888.936.7872 or www.fisherpaykel.com

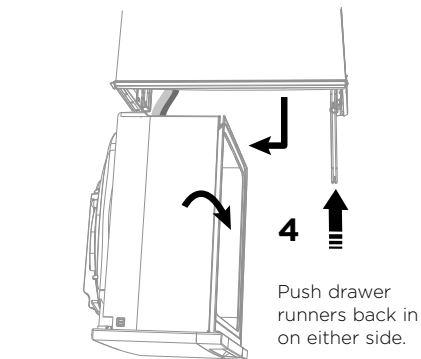
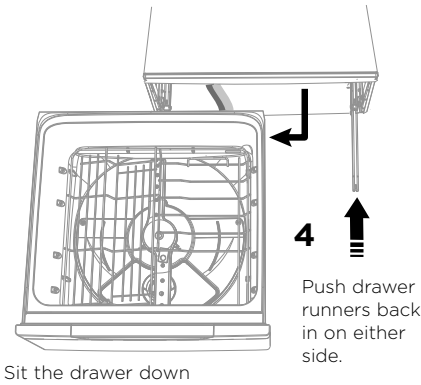
3 OPTIONALLY HARD WIRING PRIOR TO INSTALLATION

3-A REMOVE THE DRAWER

To prevent kinked hoses
 Either sit the drawer down on the left hand side (recommended) or rotate the drawer clockwise, resting it on its side after removal.

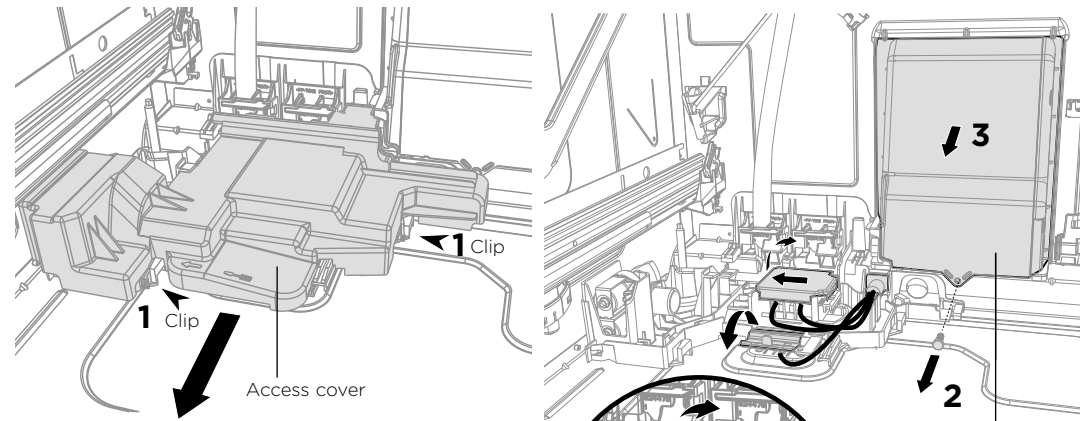


Press the release tabs in on either side and push back to release drawer from runners.
 Lift drawer off runners.

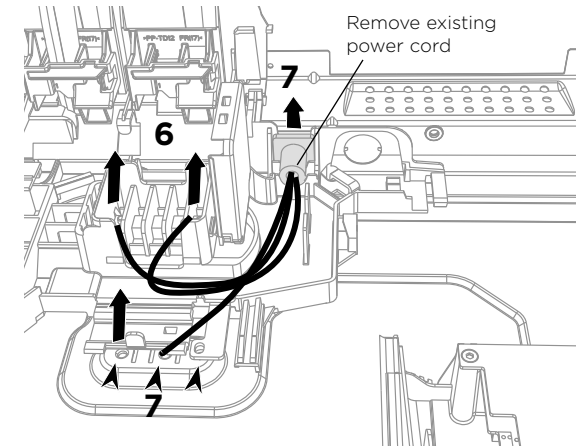
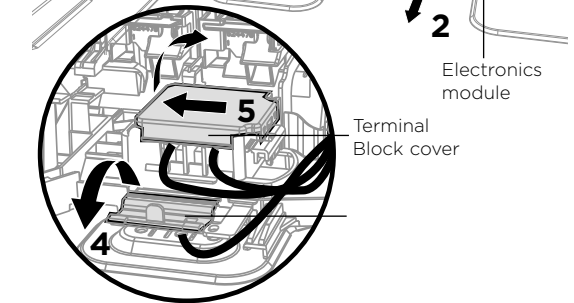


Rotate the drawer clockwise (max. 90°) and rest on side.

3-B REMOVE THE ACCESS COVER & REMOVE POWER

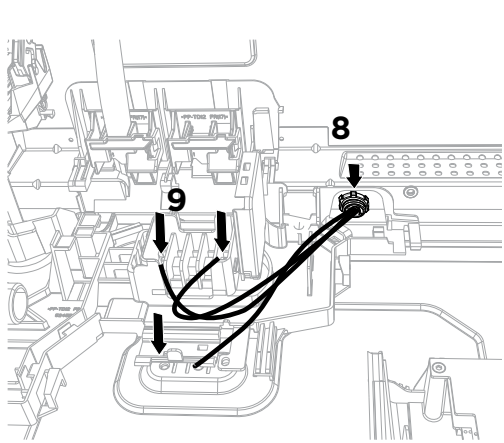


- 1 With a flat-bladed screwdriver, push in the clips and slide out the access cover.
- 2 Unscrew the electronics module cover.
- 3 Carefully pull out the electronics module and rest on the chassis base out of the way.
- 4 With a screwdriver, unclip the plastic harness cover and hinge open.
- 5 Slide the terminal block cover sideways to unlock and hinge open to access the terminal block.
- 6 Unscrew the Live, Neutral and Earth wires as shown.
- 7 Unscrew the three screws on the base as shown and remove the cord from the product.

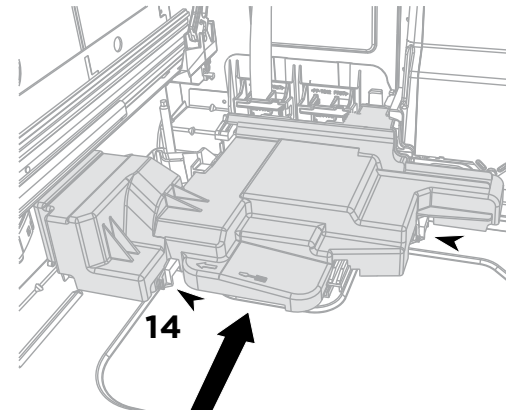
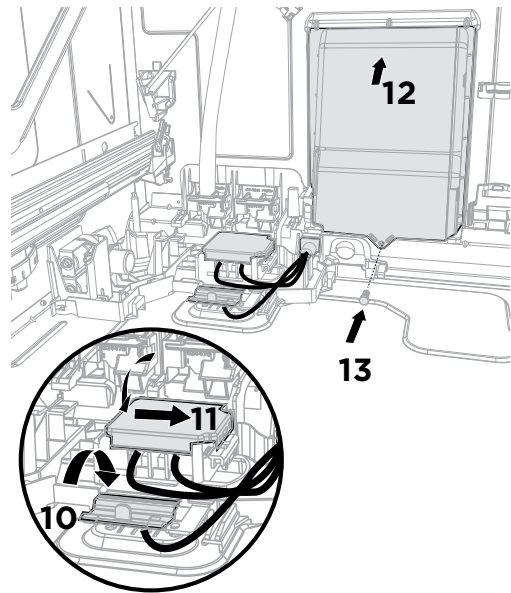


③ OPTIONALLY HARD WIRING PRIOR TO INSTALLATION

③-C TERMINATE MAINS WIRING AS SHOWN AND REPLACE MODULE AND COVERS

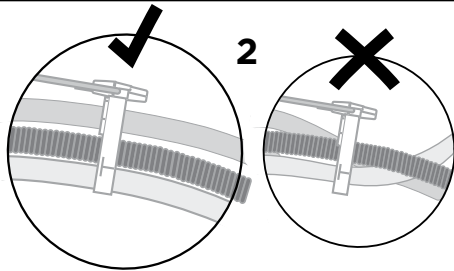


IMPORTANT!
Ensure the mains wires are routed **UNDERNEATH** all other harness wiring from the electronics module.

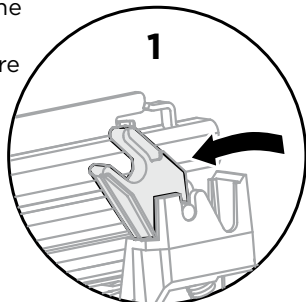


- 8 Fit a suitable cable clamp for the conduit through the metal knockout. Ensure wiring is routed through or under under housing ribs.
- 9 Screw down the Live, Neutral and Earth wires correctly.
- 10 Push the plastic harness cover back over. It should clip back into place
- 11 Fold down and slide back the terminal block cover.
- 12 Refit the electronics module back into position, being careful of wiring.
- 13 Replace the screw securing the electronics module.
- 14 Slide the access cover back, ensuring the 2 clips shown are fully locked in place.
NOTE: Use copper conductors only.

③-D REFIT THE DRAWER ONTO THE RUNNERS & CLOSE



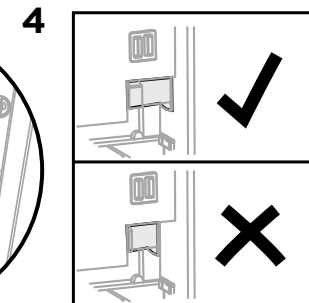
Before refitting the drawer, ensure the hoses are not twisted and the latches at the rear of each drawer runner are facing forward.



Lift or rotate counterclockwise the drawer back onto the drawer runners on either side.

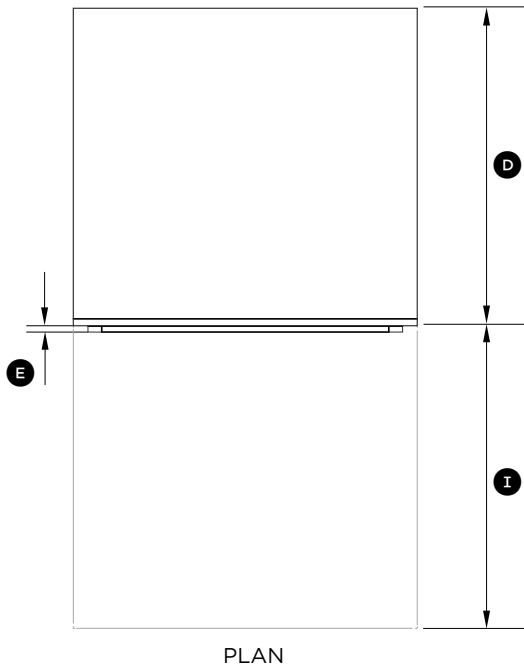
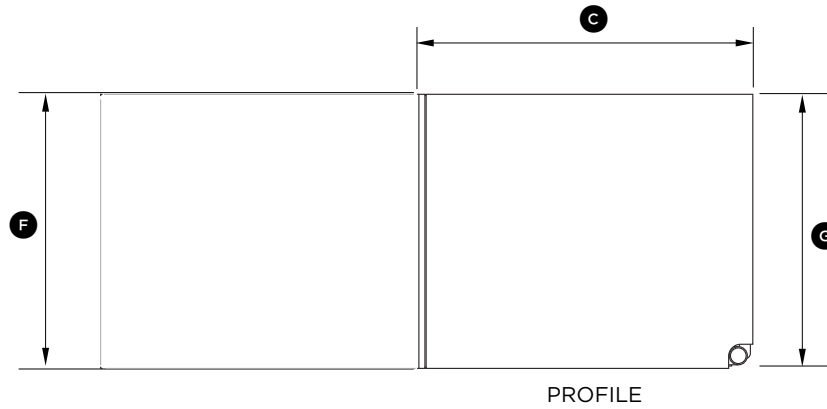
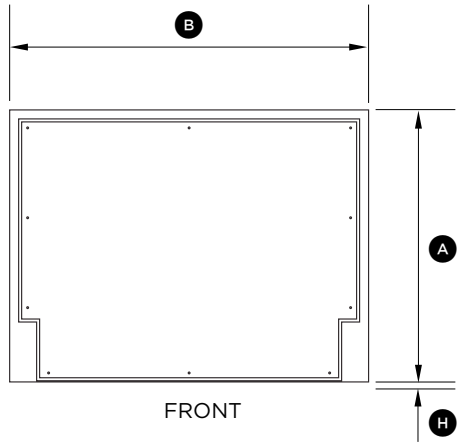


Release tab



Pull the release tabs forward on both sides 4" (100 mm). Ensure the tabs are fully pulled forward and click into place.

④ PRODUCT DIMENSIONS



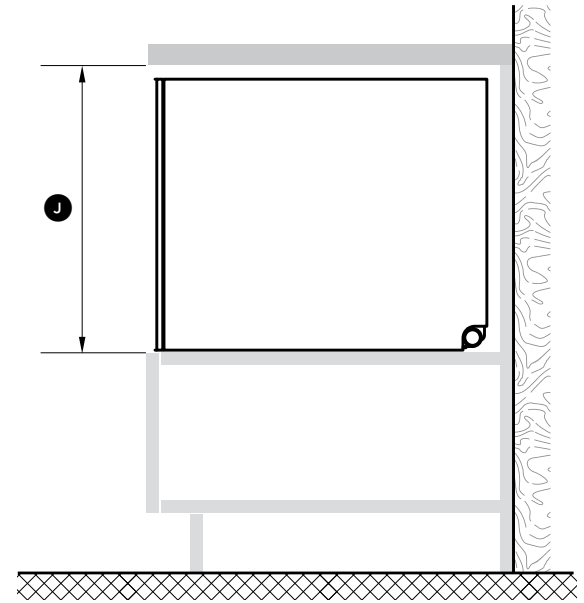
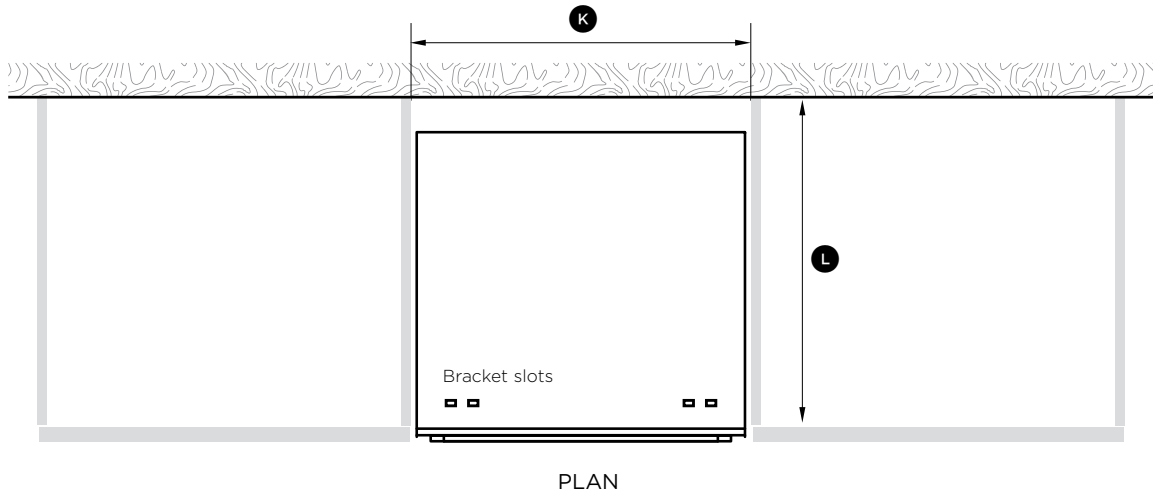
PRODUCT DIMENSIONS	STANDARD HEIGHT MODELS	TALL HEIGHT MODELS
	DD24SI INCHES (MM)	DD24STI DD24SHTI INCHES (MM)
Ⓐ Overall height of product ¹	16 1/8" (410)	min. 17 7/8" (454)
Ⓑ Overall width of product	23 9/16" (599)	23 9/16" (599)
Ⓒ Overall depth of product ²	22 1/2" (571)	22 1/2" (571)
Ⓓ Depth of chassis (to back of front drawer panel)	21 3/4" (553)	21 3/4" (553)
Ⓔ Depth of drawer front panel	5/8" - 13/16" (16-20)	5/8" - 13/16" (16-20)
Ⓕ Height of drawer front panel	min. 16 1/16" (408) ³	min. 17 13/16" (452) ⁴
Ⓖ Height of chassis ¹	16 1/8" (410)	17 7/8" (454)
Ⓗ Ventilation gap below drawer front panel	min. 1/6" (2)	min. 1/6" (2)
Ⓘ Maximum extension of drawer ²	21 7/16" (545)	21 7/16" (545)

¹ includes 1/16" (2mm) high bracket slots ² assuming a front panel thickness of 11/16" (18mm)

³ recommended for a 1/16" (2mm) ventilation gap below panel, if cavity height is 16 1/4" (412mm)

⁴ recommended for a 1/16" (2mm) ventilation gap below panel

5 CABINETY DIMENSIONS



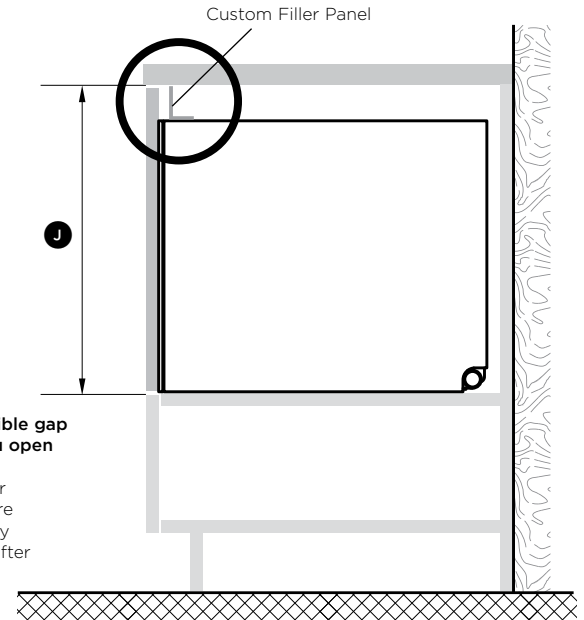
STANDARD
HEIGHT
MODELS

TALL
HEIGHT
MODELS

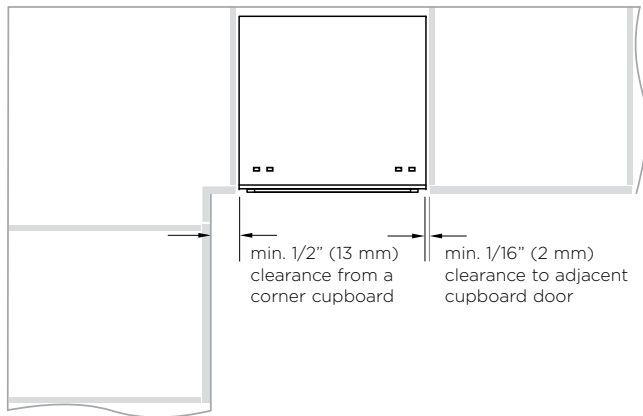
DD24SI

**DD24STI
DD24SHTI**

CABINETY DIMENSIONS	INCHES (MM)	INCHES (MM)
Ⓝ Inside height of cavity	min. 16 1/4" (412)	min. 18" (456)
Ⓚ Inside width of cavity	23 5/8" (600)	23 5/8" (600)
Ⓛ Inside depth of cavity	min. 22 1/16" (560)	min. 22 1/16" (560)



Minimum clearances from adjacent cabinetry



If your cavity height leaves a visible gap under your countertop when you open the drawer:
Fit the supplied cavity bracket (or a custom cavity filler panel) before installation in order to conceal any gap at the top of the cavity left after installation.

6 CUSTOM DRAWER PANEL SPECIFICATIONS

FRONT PANEL MATERIAL SPECIFICATIONS

- 5/8 - 13/16" (16 - 20mm) panel thickness
- Adequately sealed to withstand moisture (122°F/50°C @ 80% RH)
Because of it being a hot and wet environment generally, the back and sides of the panel should be completely sealed with a waterproof vapour barrier (ie polyurethane) to prevent damage to the panel.
- The back of the panel (including any integrated handle) should be completely flush so that the seal between the panel and the rubber trim is maintained.
- Installation outside these specs may result in condensation on cabinetry surfaces.
- Maximum weight of panel: 20lb (9kg)

The following calculations assume the top of the upper panel is aligned with the top of the adjacent cabinetry.

WIDTH OF THE PANEL

Measure **A** (the width between adjacent door/drawer fronts) and write it in the first box below, then complete the equation.

WIDTH OF PANEL

Clearance to adjacent cabinet front

A - 2x =

(min. 1/16" (2mm)) (23 7/16"-24 3/16" (596-615mm))

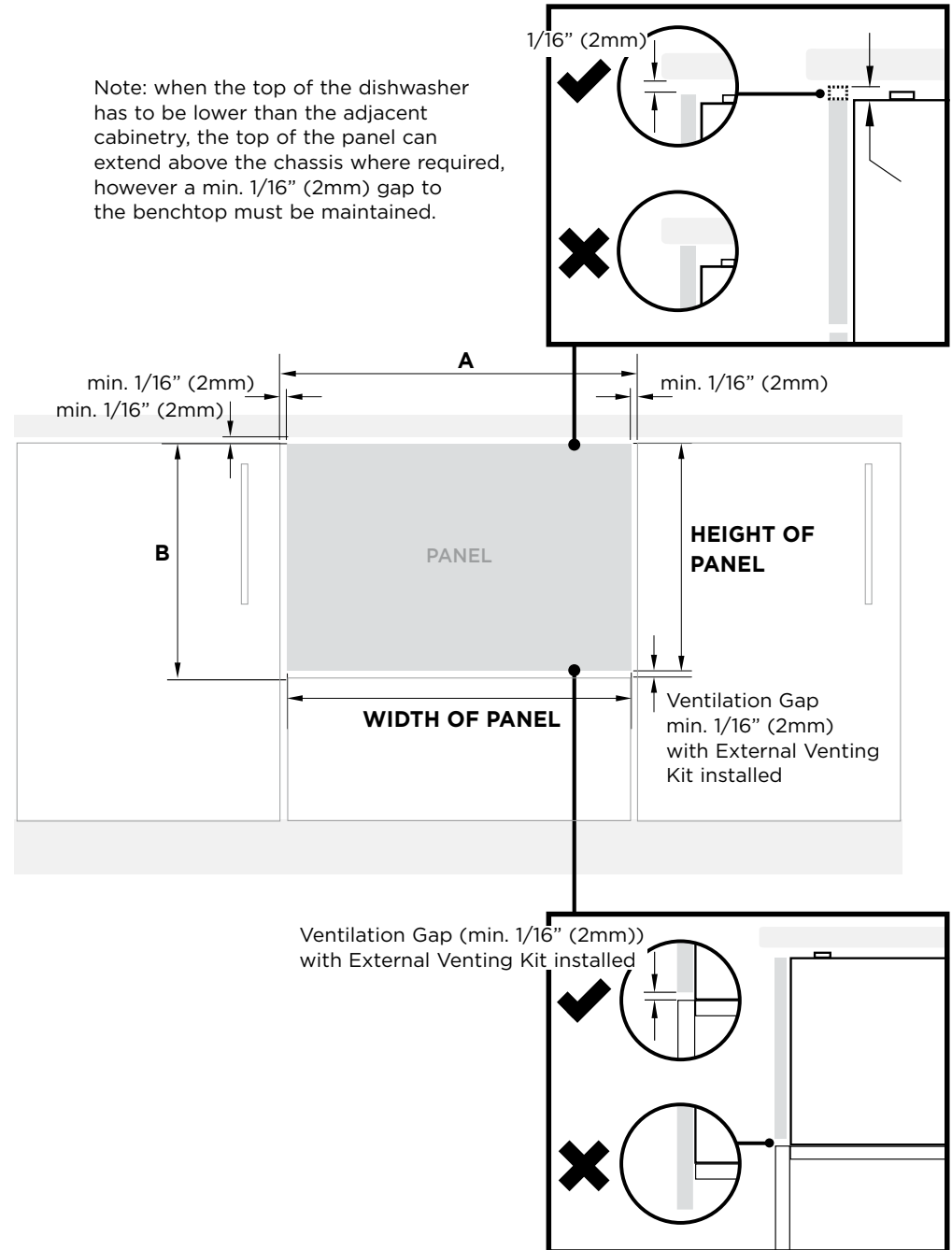
HEIGHT OF THE PANEL

HEIGHT OF PANEL

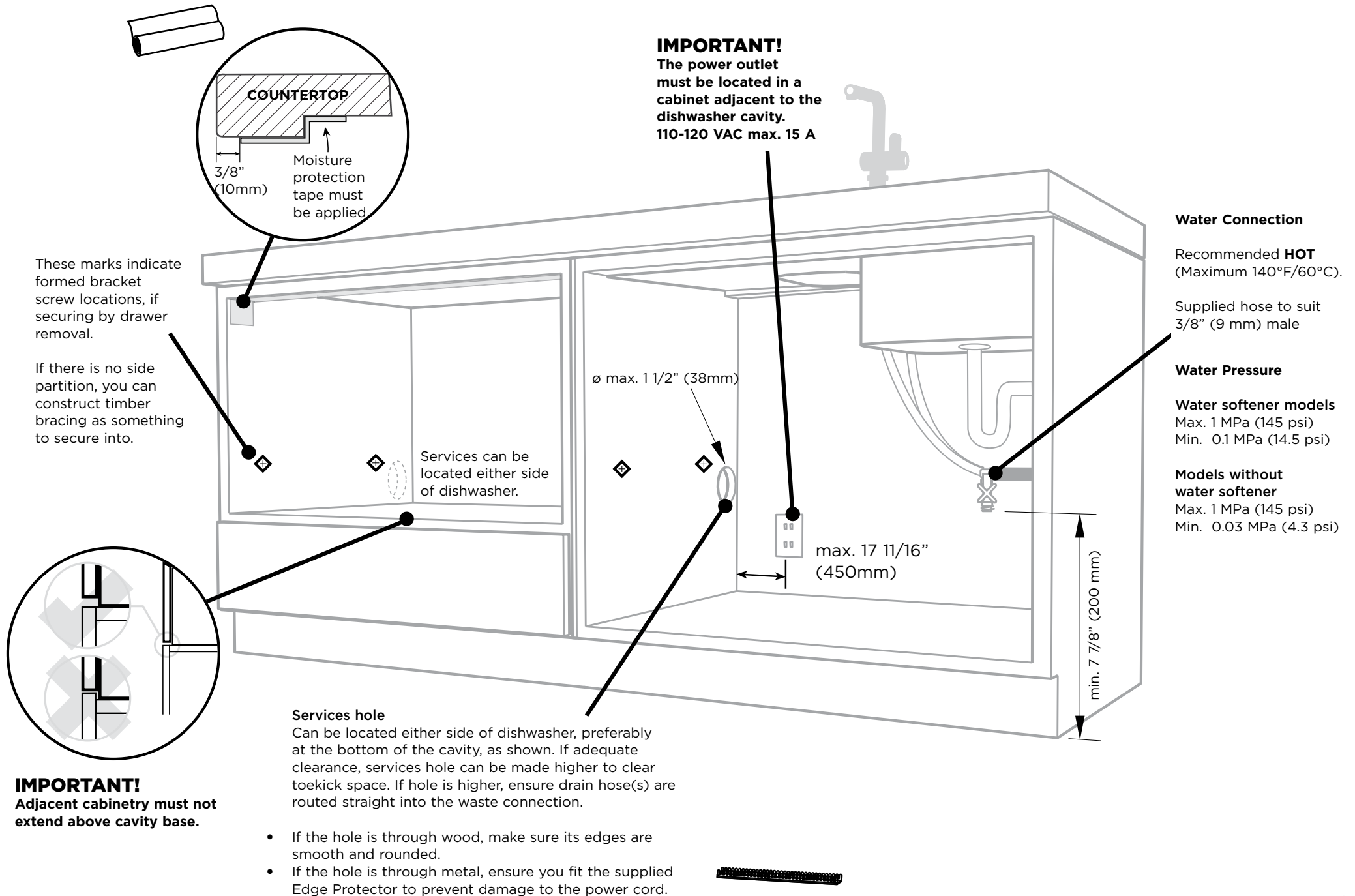
B - Ventilation Gap =

(min. 1/16" (2mm))

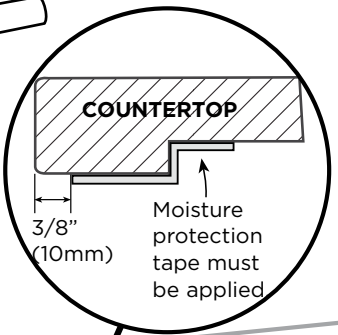
Note: when the top of the dishwasher has to be lower than the adjacent cabinetry, the top of the panel can extend above the chassis where required, however a min. 1/16" (2mm) gap to the benchtop must be maintained.



⑦ CAVITY PREPARATION

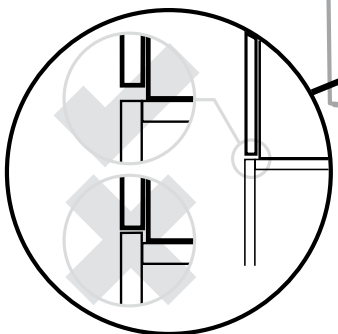


IMPORTANT!
The power outlet must be located in a cabinet adjacent to the dishwasher cavity.
110-120 VAC max. 15 A



These marks indicate formed bracket screw locations, if securing by drawer removal.

If there is no side partition, you can construct timber bracing as something to secure into.



∅ max. 1 1/2" (38mm)

Services can be located either side of dishwasher.

max. 17 11/16" (450mm)

min. 7 7/8" (200 mm)

Water Connection
Recommended **HOT** (Maximum 140°F/60°C).
Supplied hose to suit 3/8" (9 mm) male

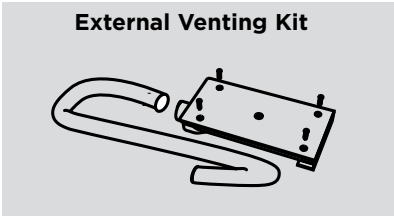
Water Pressure
Water softener models
Max. 1 MPa (145 psi)
Min. 0.1 MPa (14.5 psi)
Models without water softener
Max. 1 MPa (145 psi)
Min. 0.03 MPa (4.3 psi)

Services hole
Can be located either side of dishwasher, preferably at the bottom of the cavity, as shown. If adequate clearance, services hole can be made higher to clear toekick space. If hole is higher, ensure drain hose(s) are routed straight into the waste connection.

- If the hole is through wood, make sure its edges are smooth and rounded.
- If the hole is through metal, ensure you fit the supplied Edge Protector to prevent damage to the power cord.



8 PREPARATION FOR EXTERNAL VENTING THROUGH SAME CABINET



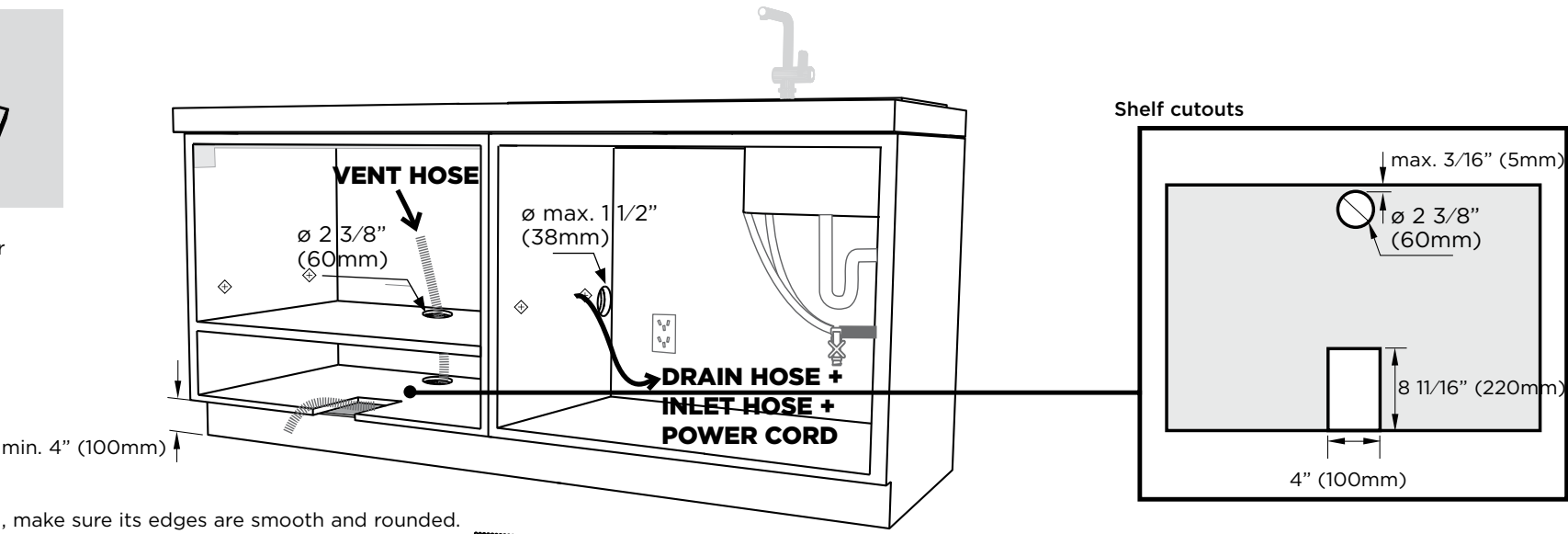
External Venting Kit

Services can be located either side of dishwasher

IMPORTANT!
To prevent pooling of condensation from the vent hose, a toekick height of no less than 4" (100mm) is required.

Services hole

- If the hole is through wood, make sure its edges are smooth and rounded.
- If the hole is through metal, ensure you fit the supplied Edge Protector to prevent damage to the power cord.



8 PREPARATION FOR EXTERNAL VENTING THROUGH ADJACENT CABINET

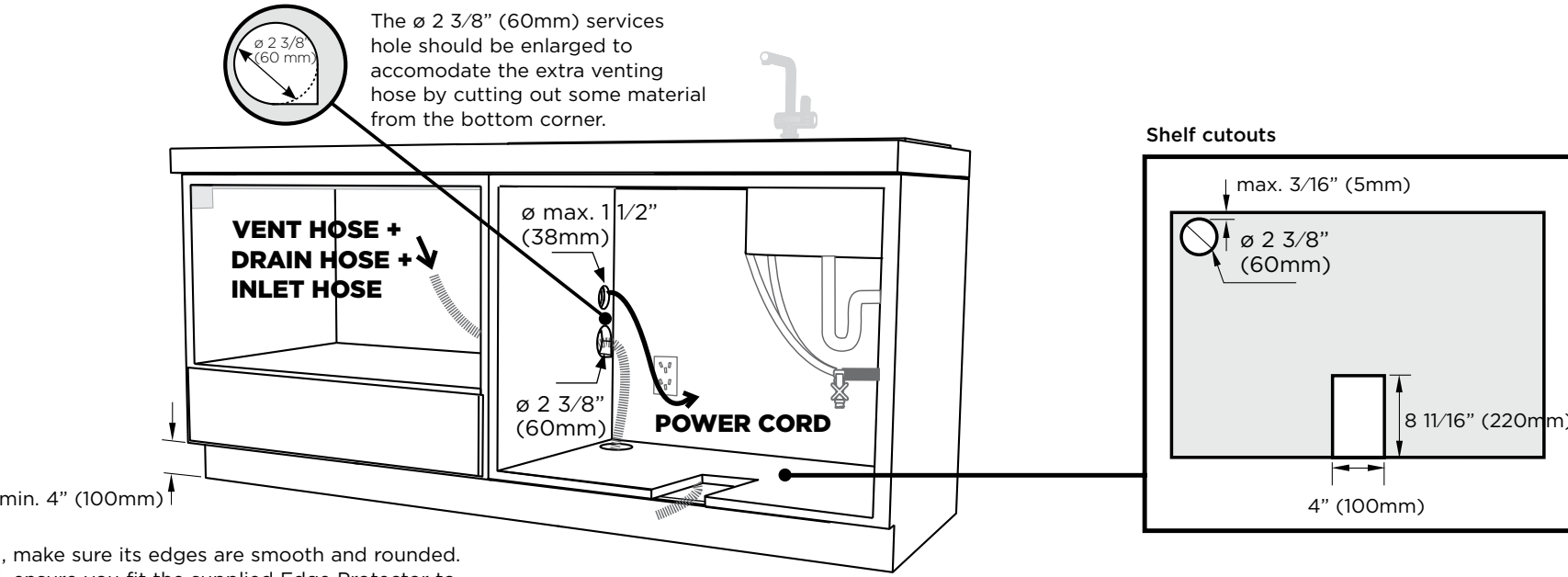


The ø 2 3/8" (60mm) services hole should be enlarged to accommodate the extra venting hose by cutting out some material from the bottom corner.

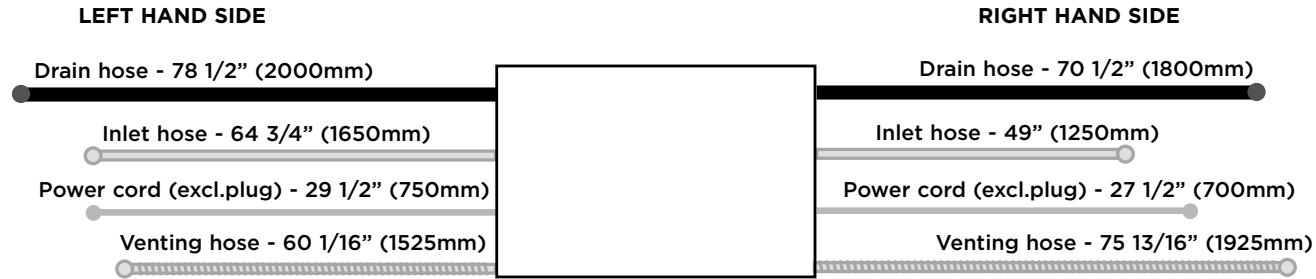
IMPORTANT!
To prevent pooling of condensation from the vent hose, a toekick height of no less than 4" (100mm) is required.

Services hole

- If the hole is through wood, make sure its edges are smooth and rounded.
- If the hole is through metal, ensure you fit the supplied Edge Protector to prevent damage to the power cord.



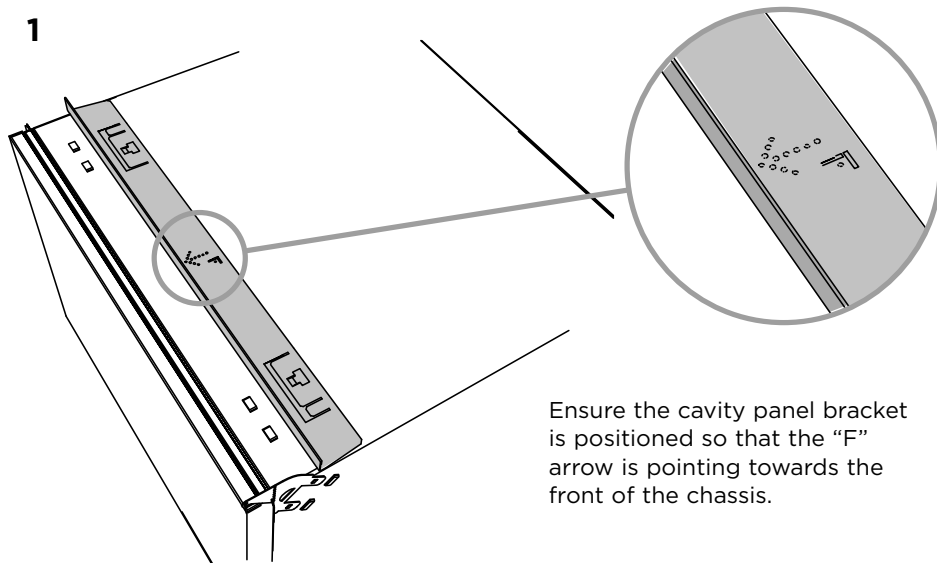
9 **MAXIMUM DISTANCE OF HOSES & CORD FROM CHASSIS EDGE**



10 **TALL HEIGHT INTEGRATED MODELS FOR 18 7/8" (480MM) CAVITY ONLY - ATTACH CAVITY BRACKET**

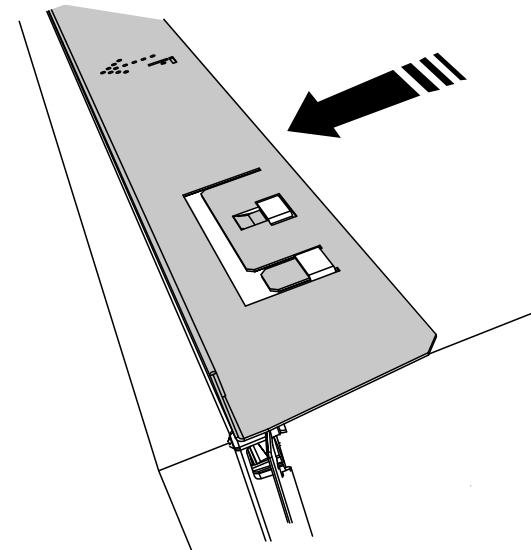
IMPORTANT!

The enclosed cavity bracket is fitted before installation in order to conceal the gap at the top of the cavity left after installation.



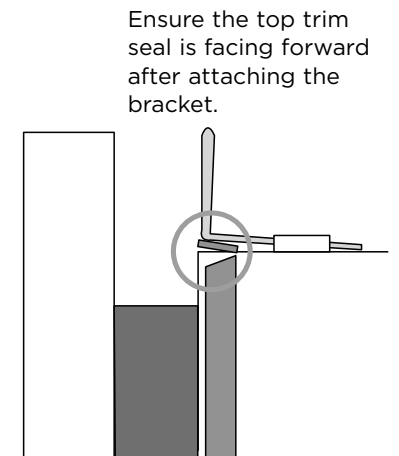
2

Firmly push the bracket so that the prongs engage with the top tabs and it clicks into place.



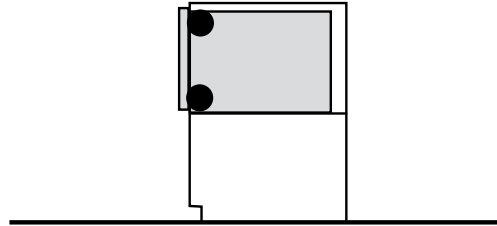
IMPORTANT!

Ensure the prongs have not been driven down into the chassis as this will damage the lid below.



**NOW CHOOSE WHICH INSTALLATION METHOD (A) OR (B)
IS MORE SUITABLE FOR YOUR CABINETY...**

11 RECOMMENDED METHOD (A) - SECURE WITHOUT DRAWER REMOVAL (FRAMELESS CABINETY ONLY)



11-(A) ATTACH SIDE MOUNTING BRACKETS

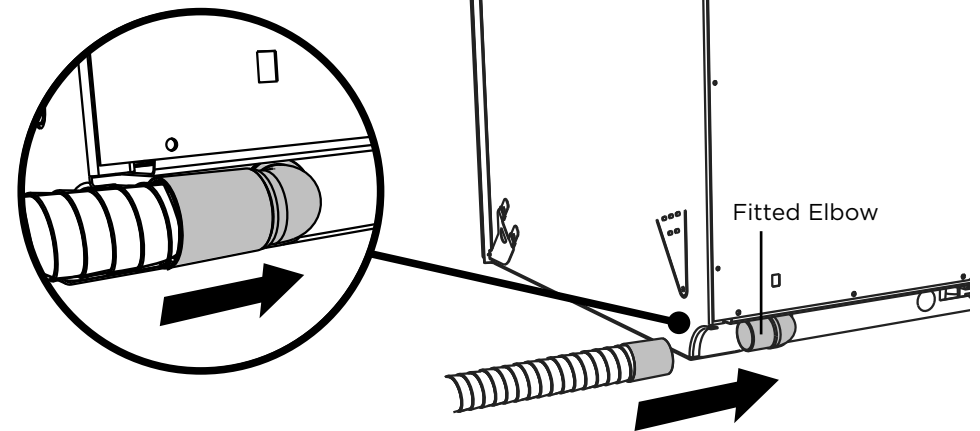
Clip all four side mounting brackets into their slots using a flat-bladed screwdriver. Ensure they're securely fitted before sliding product into cavity.

The mounting slots are in pairs, one on each side diagonally across the product. **A** bracket must match **A** slot and **B** bracket must match **B** slot.

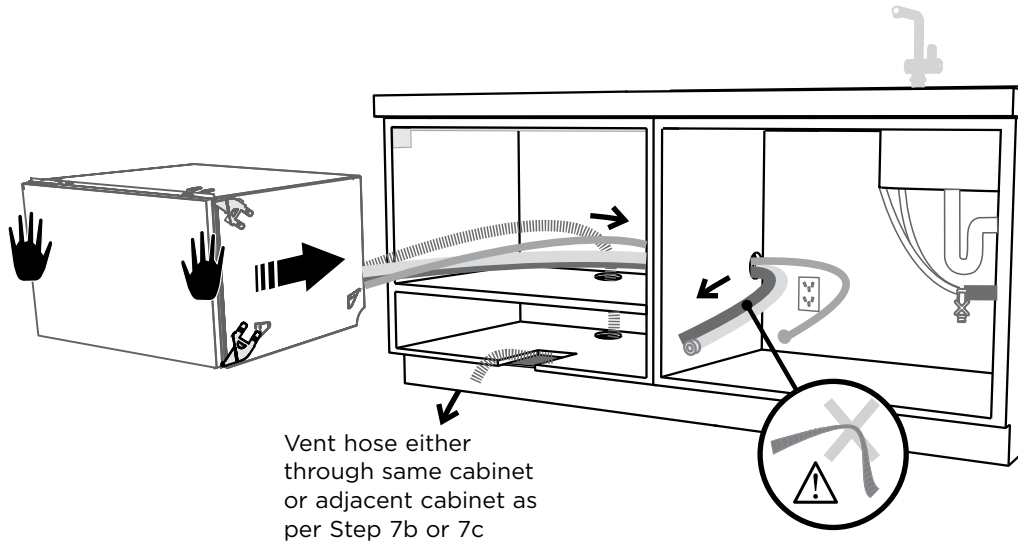
When fitting brackets, ensure the ends are not pushed down into the chassis.

12-(A) ATTACH VENTING HOSE

Check that the fitted elbow is rotated left or right (depending on the direction of the routing), then ensure the venting hose is securely attached to it.



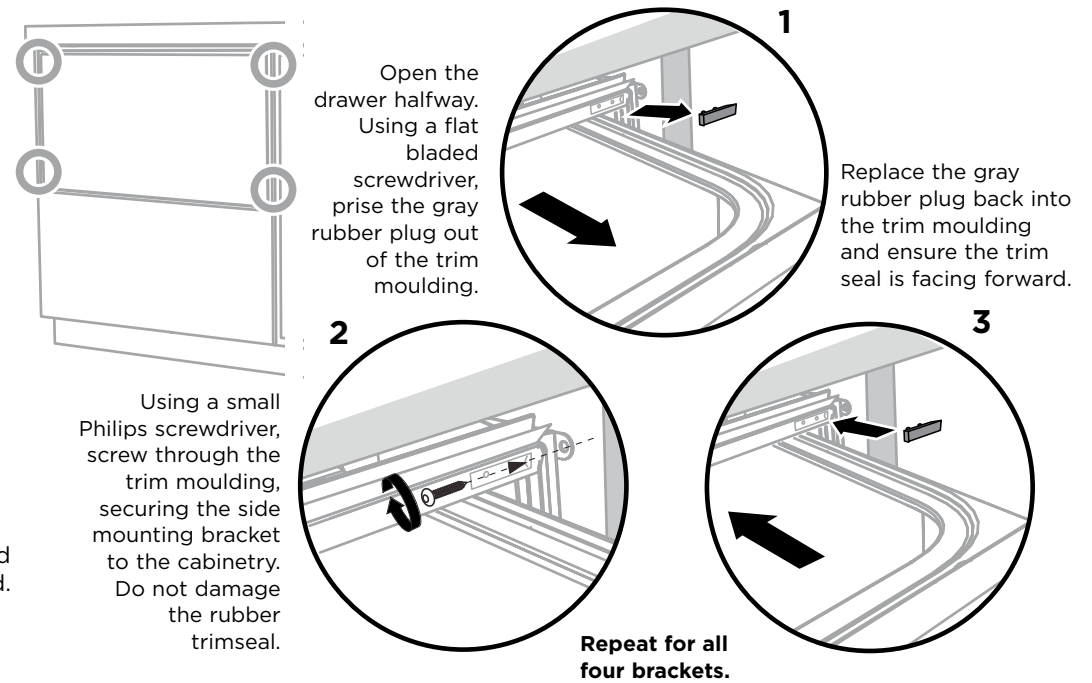
13-A PULL THROUGH HOSES & MOVE INTO THE CAVITY



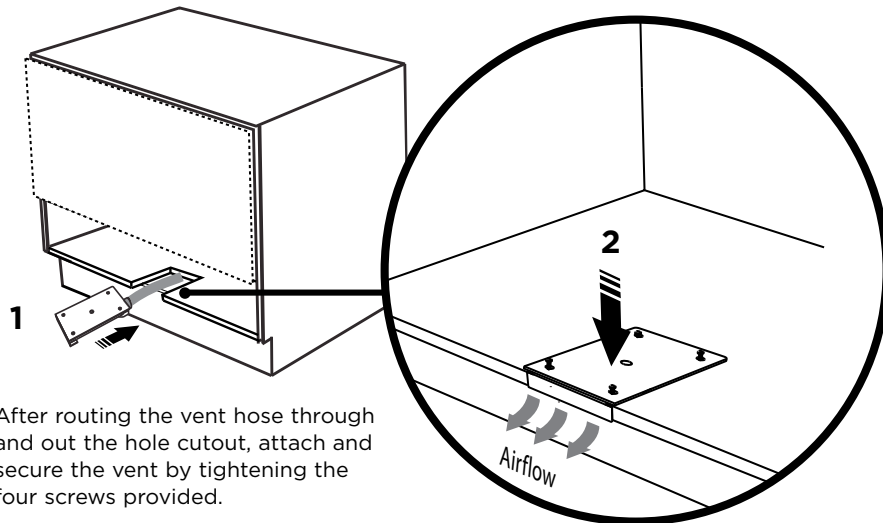
As you push product in, pull through hoses and cord, ensuring they don't get kinked or twisted.

IMPORTANT!
If product cannot be pushed in far enough, pull out again and rearrange hoses and cord. Do not use excessive force, as doing so may squash the hoses and lead to incorrect operation.

14-A SECURE TO THE CABINETRY ON THE SIDES

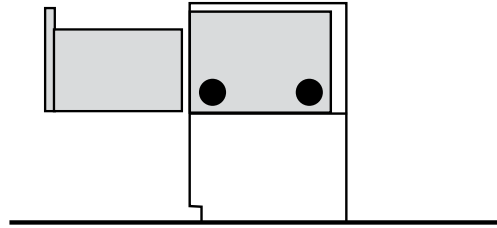


15-A SECURE THE EXTERNAL VENT



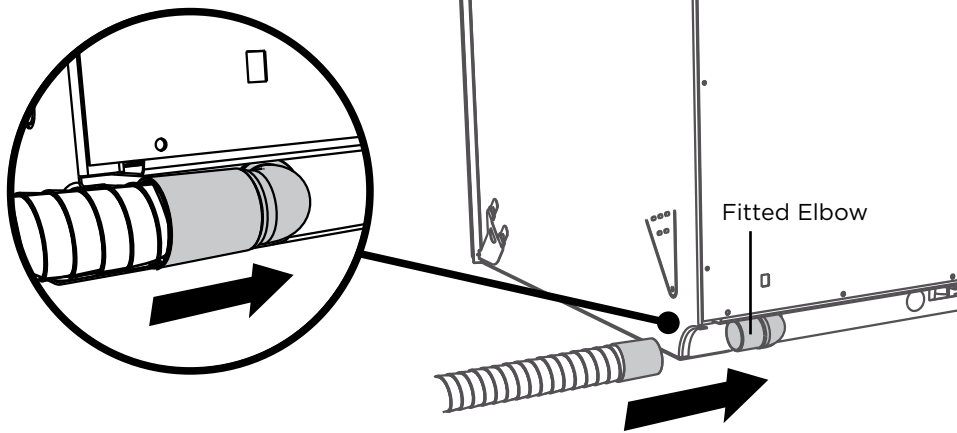
After routing the vent hose through and out the hole cutout, attach and secure the vent by tightening the four screws provided.

11 ALTERNATIVE METHOD (B) - SECURE BY DRAWER REMOVAL

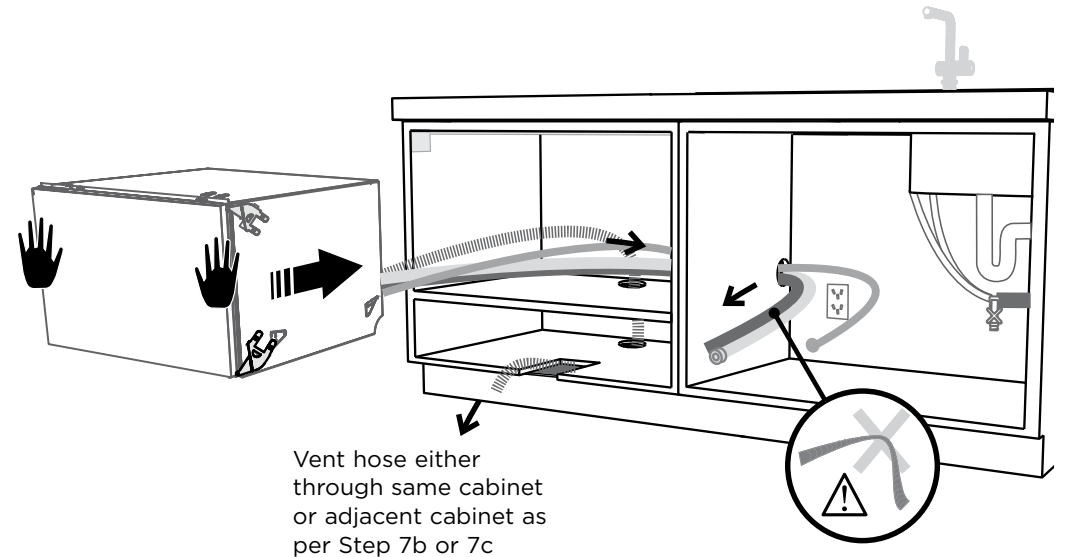


11-A ATTACH VENTING HOSE

Check that the fitted elbow is rotated left or right (depending on the direction of the routing), then ensure the venting hose is securely attached to it.



12-A PULL THROUGH HOSES & MOVE INTO THE CAVITY



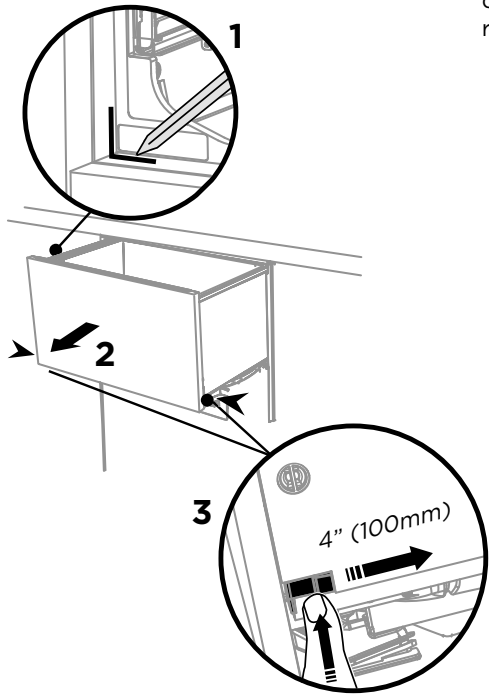
Vent hose either through same cabinet or adjacent cabinet as per Step 7b or 7c

As you push product in, pull through hoses and cord, ensuring they don't get kinked or twisted.

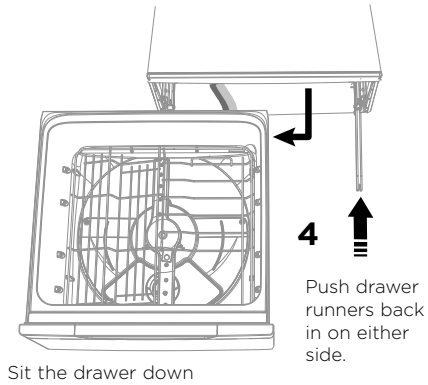
IMPORTANT!
If product cannot be pushed in far enough, pull out again and rearrange hoses and cord. Do not use excessive force, as doing so may squash the hoses and lead to incorrect operation.

13-B REMOVE THE DRAWER

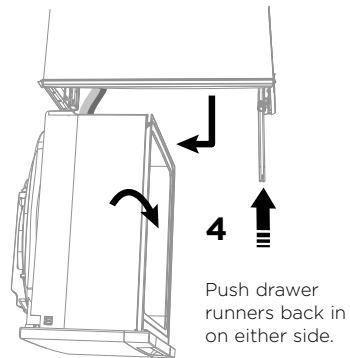
To prevent kinked hoses
Either sit the drawer down on the left hand side (recommended) or rotate the drawer clockwise, resting it on its side after removal.



Press the release tabs in on either side and push back to release drawer from runners.
Lift drawer off runners.



Sit the drawer down

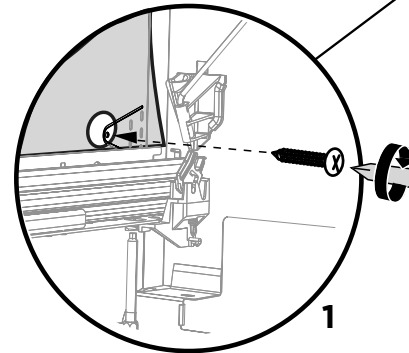


Rotate the drawer clockwise (max. 90°) and rest on side.

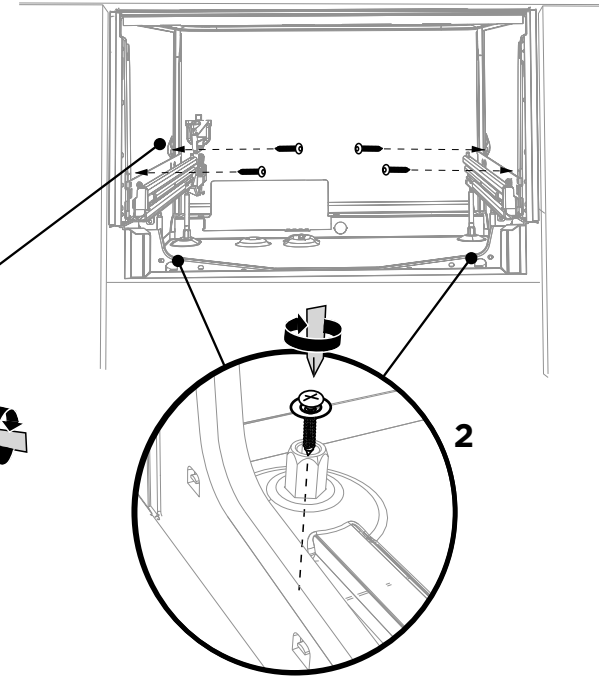
14-B SECURE TO THE CABINETRY ON THE SIDES

The product has three pairs of fixing points:

Ensure the sound insulation is repositioned correctly.

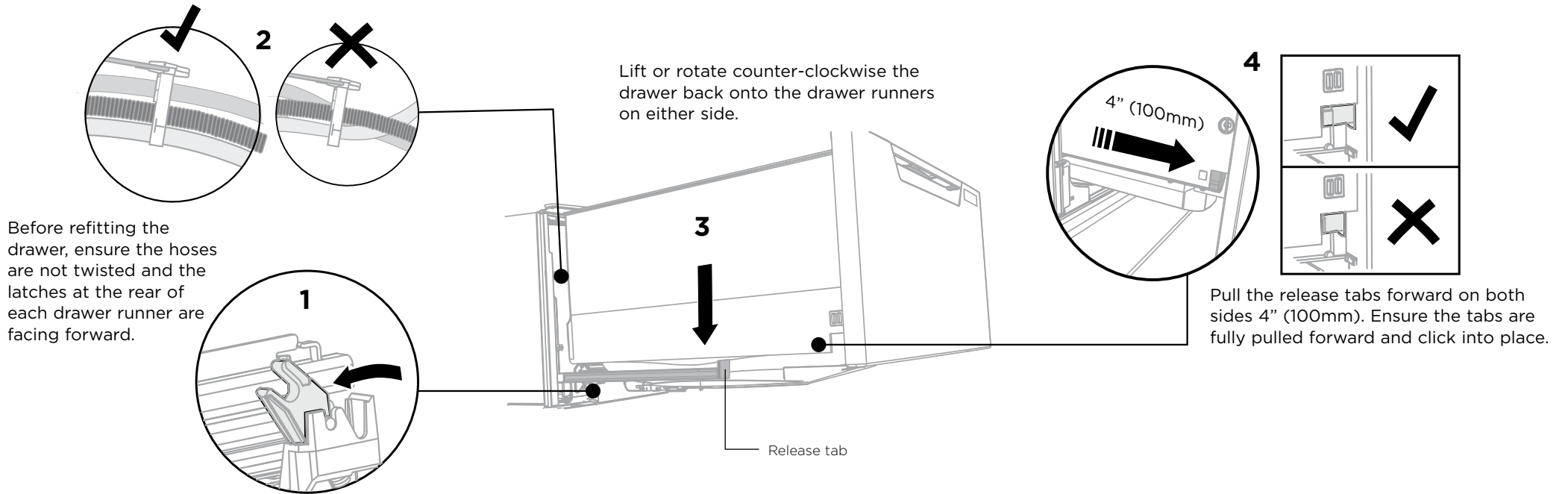


two pairs of formed brackets on either side of the chassis
(use 5/8" (16mm) screws))

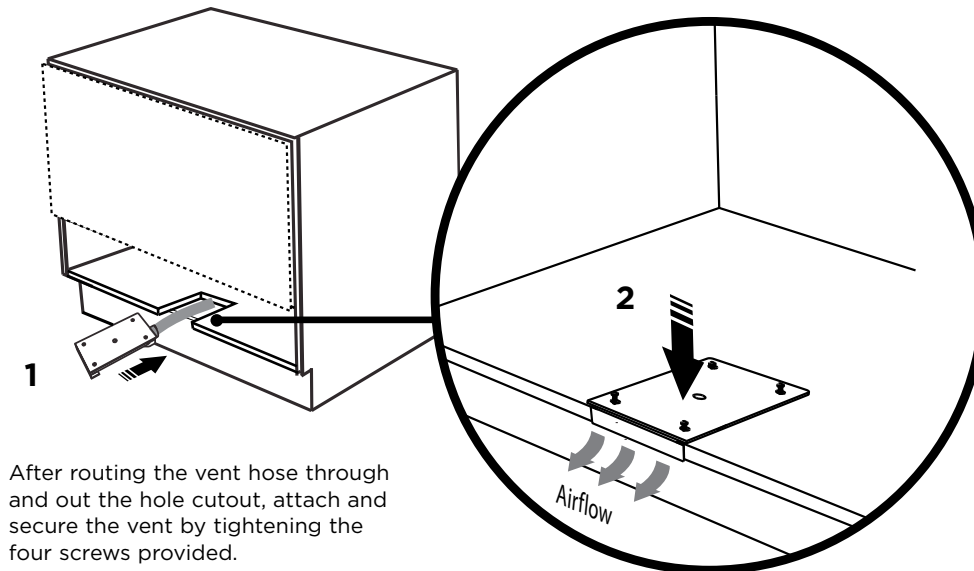


a pair of fixing holes either side on the bottom (use 1 1/2" (38mm) fixing screws & washers)

15-B REFIT THE DRAWER ONTO THE RUNNERS

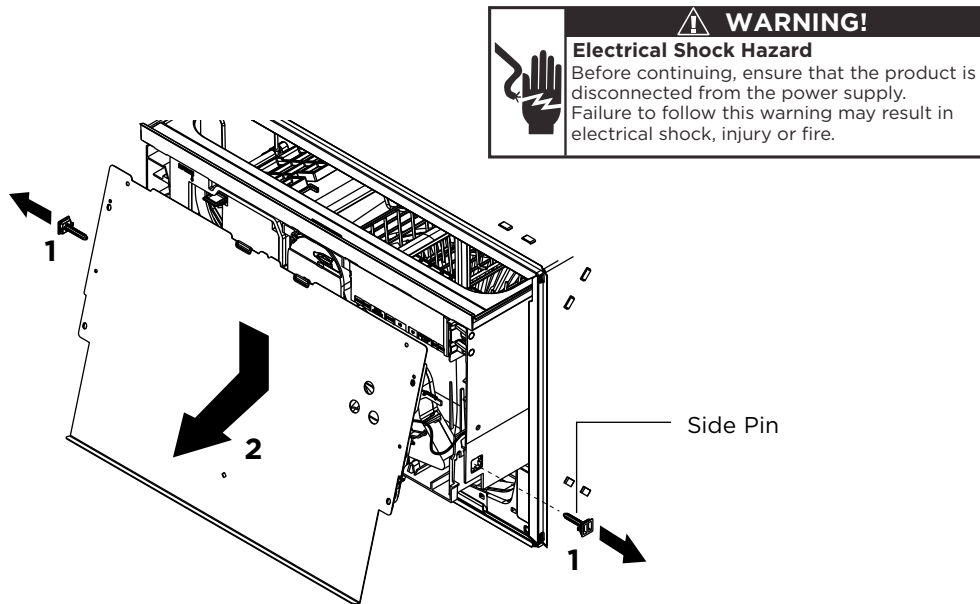


16-B SECURE THE EXTERNAL VENT

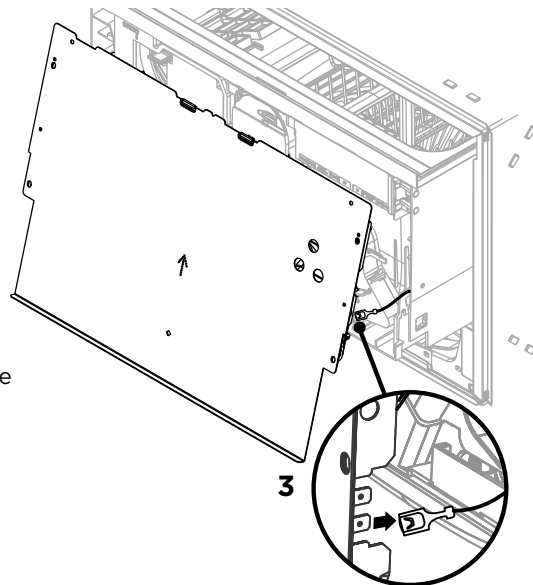


17 INSTALLING A CUSTOM FRONT DRAWER PANEL

17-A REMOVE PANEL BRACKET FROM PRODUCT

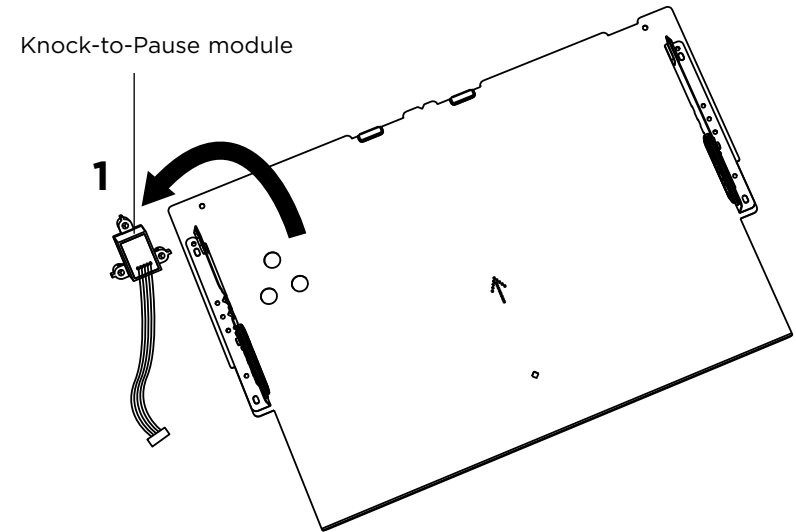


Remove side pins and gently pull off the panel bracket slightly.



- 1 Disconnect the Earth Wire from the bracket
- 2 Unplug the knock sensor from the controller.

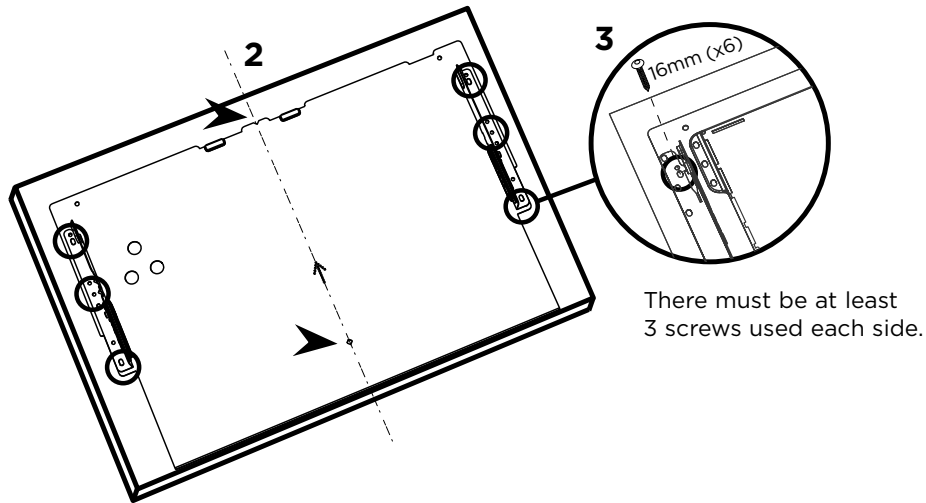
17-B REMOVE THE KNOCK-TO-PAUSE MODULE



Remove the Knock-to-Pause module from the back of the bracket.

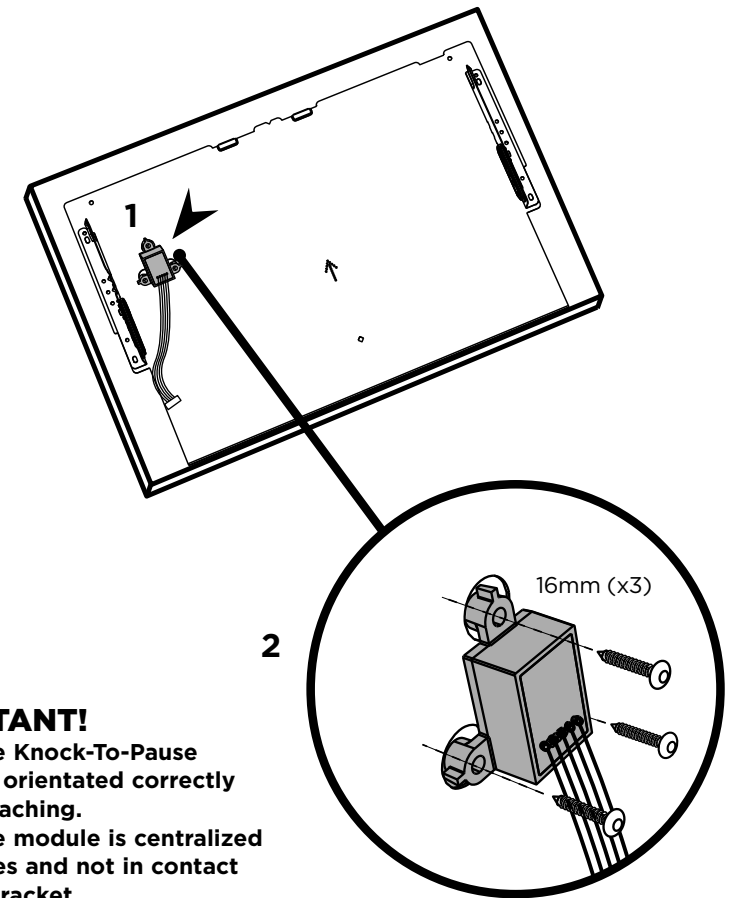
17 INSTALLING CUSTOM FRONT DRAWER PANELS

17-C ATTACH CUSTOM PANELS TO PANEL BRACKETS



Align bottom of each custom panel with the bottom of each bracket.

17-D ATTACH KNOCK-TO-PAUSE MODULE TO CUSTOM PANEL



IMPORTANT!

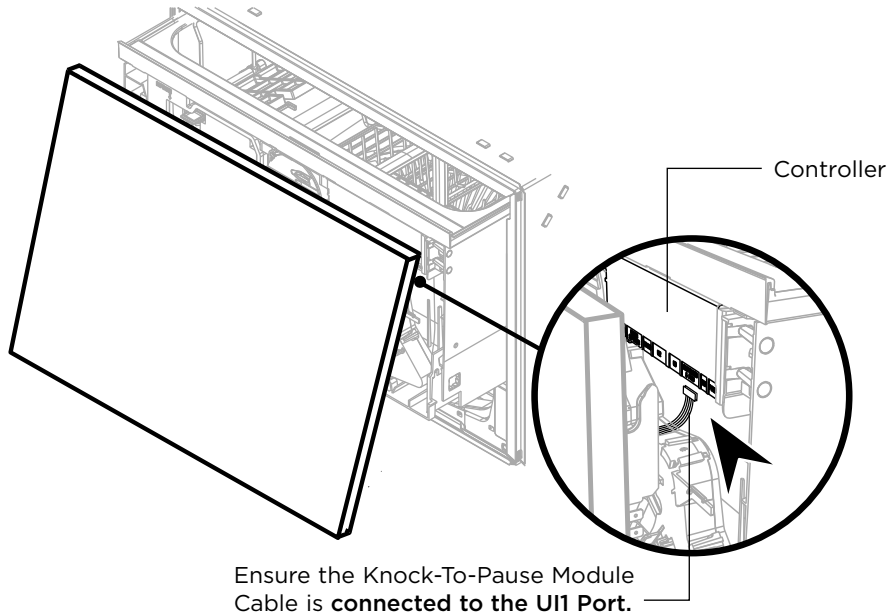
- Ensure the Knock-To-Pause module is orientated correctly before attaching.
- Ensure the module is centralized in the holes and not in contact with the bracket.

Attach the Knock-To-Pause module to the back of the custom panel through the 3 holes cut into the panel bracket as shown.

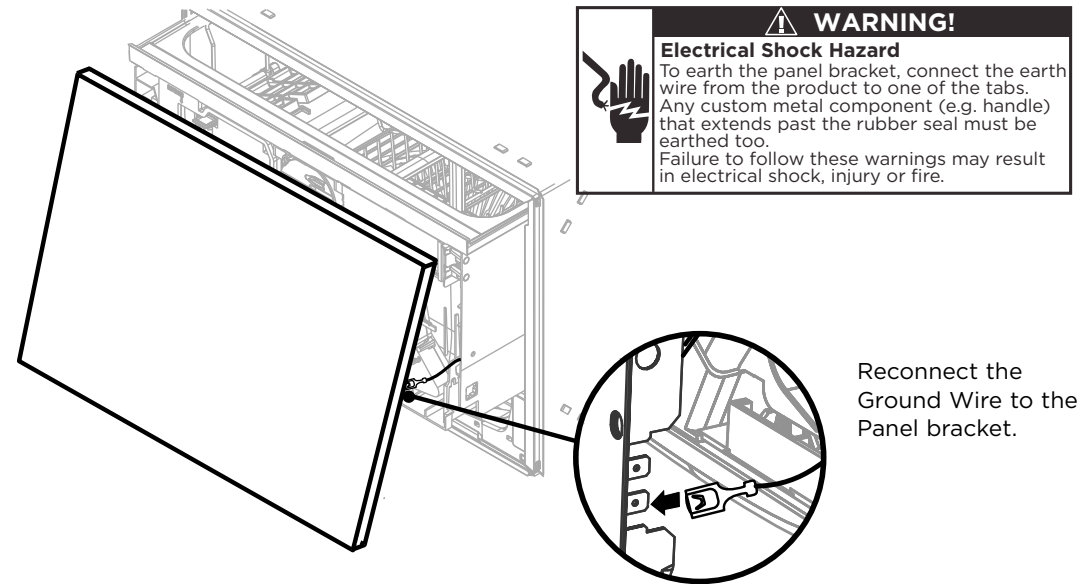
Use all 3 screws provided.

17 INSTALLING CUSTOM FRONT DRAWER PANELS

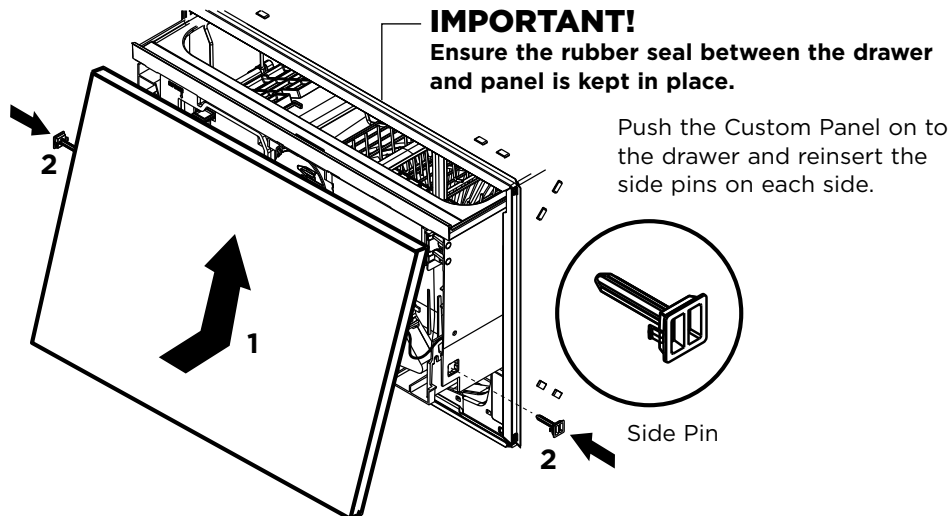
17-E CONNECT THE KNOCK-TO-PAUSE MODULE TO THE CONTROLLER



17-F RECONNECT THE GROUND WIRE TO THE PANEL BRACKET



17-G ATTACH CUSTOM PANEL TO PRODUCT



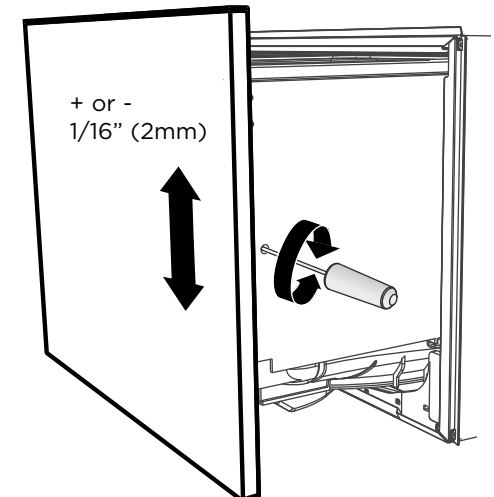
17-H ADJUST CUSTOM PANEL HEIGHT TO ALIGN CABINETY GAPS

With the front panels fitted, insert an appropriately sized Philips screwdriver into the hole above the side pin and rotate the panels up or down to align the gaps in your cabinetry.

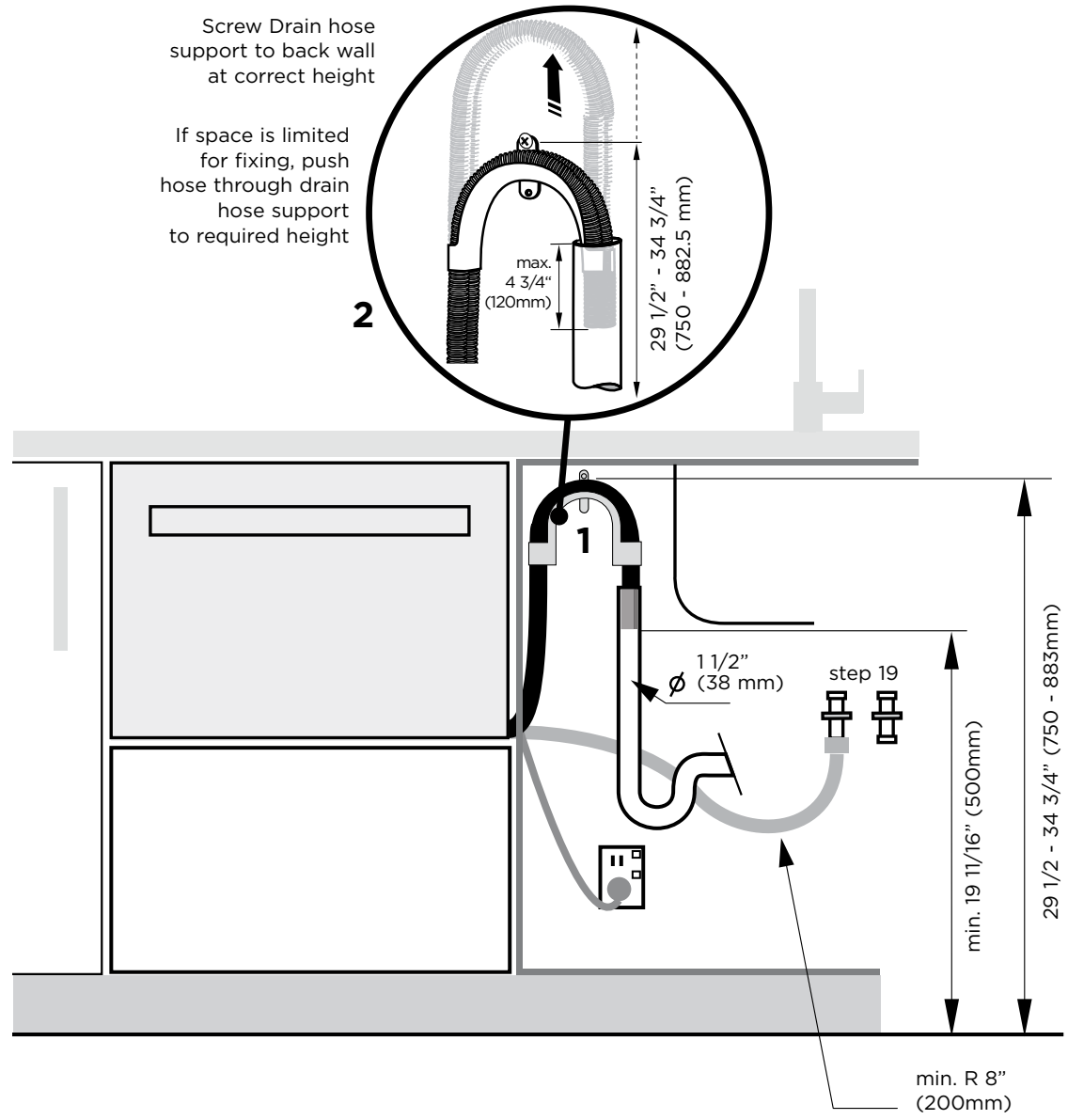
Repeat on the other side if necessary.

Each panel has a maximum travel of 1/16" (2mm) up or down.

IMPORTANT! Ensure that you maintain a minimum of 1/16" (2mm) ventilation gap below the panel.

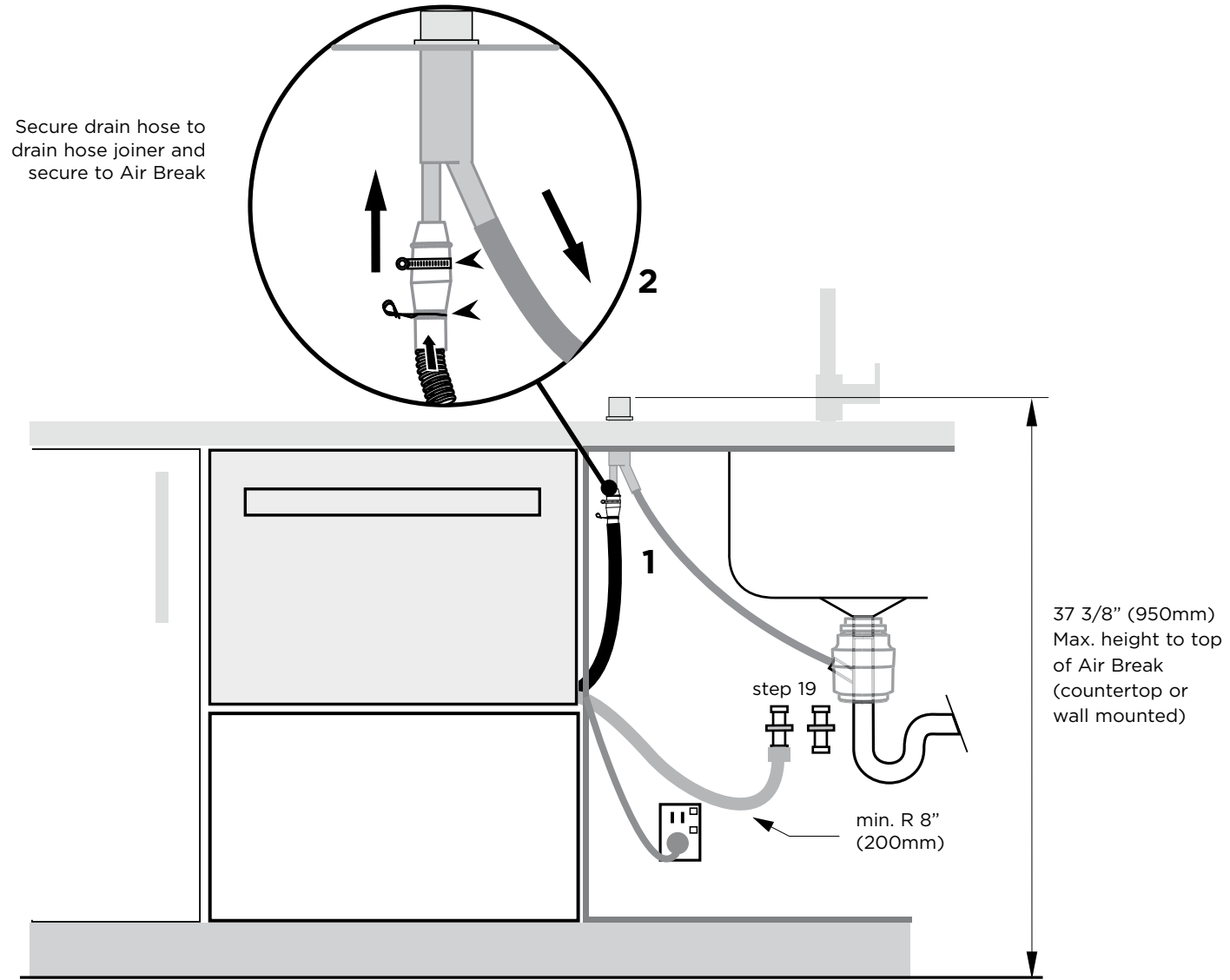


DRAINAGE OPTION 1
Dishwasher and \varnothing 1 1/2" (38 mm) Standpipe



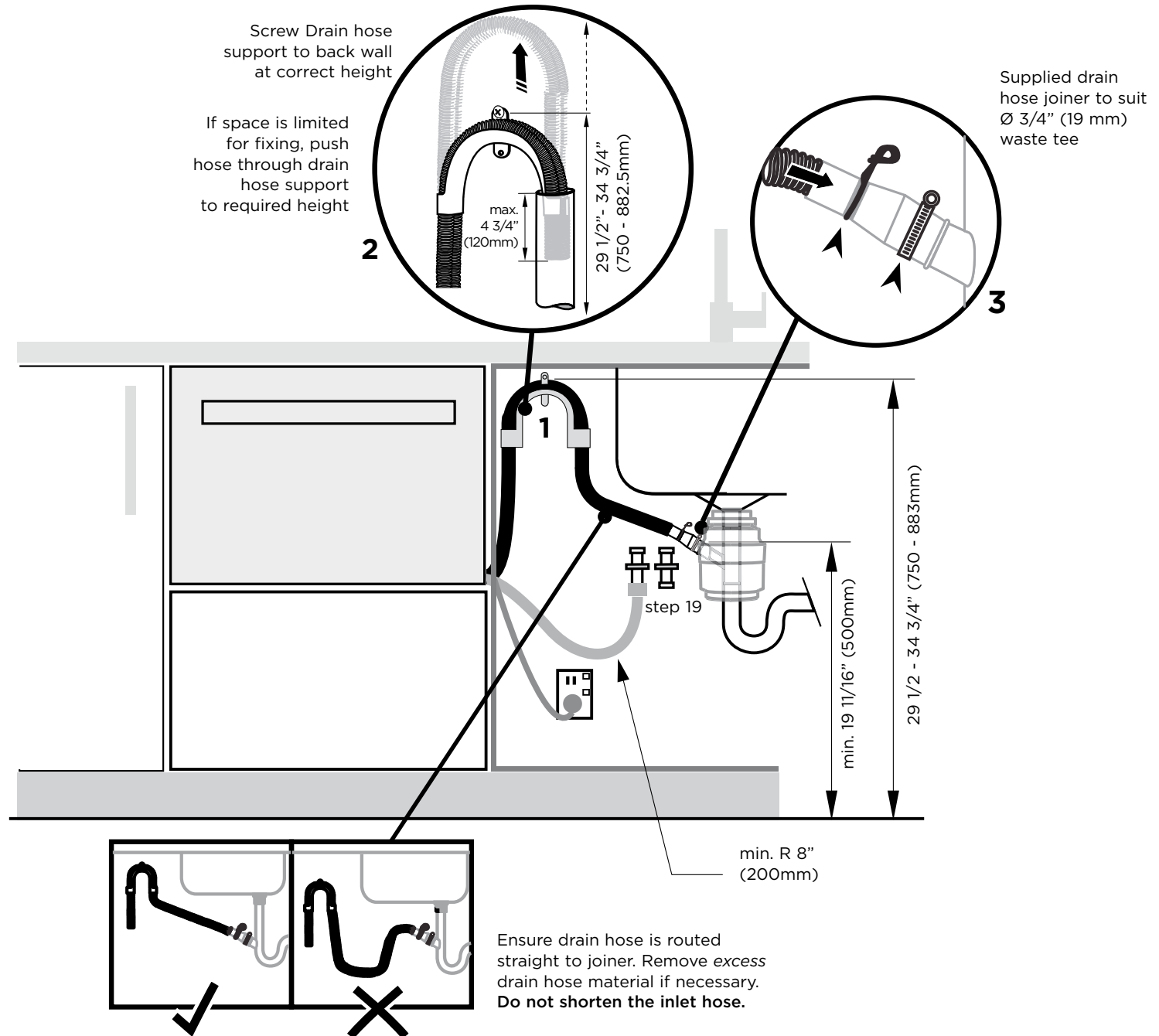
IMPORTANT!
Ensure that drain connection will comply with local plumbing regulations.

DRAINAGE OPTION 2 Dishwasher using Air Break with Drain Hose Joiner

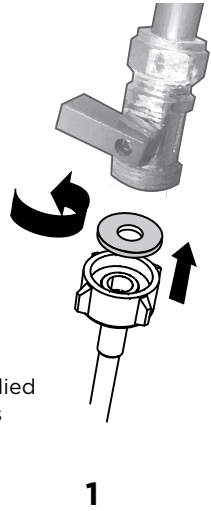


IMPORTANT!
Ensure that drain connection will comply with local plumbing regulations.

DRAINAGE OPTION 3
Dishwasher using drain hose joiner onto sink trap/waste tee

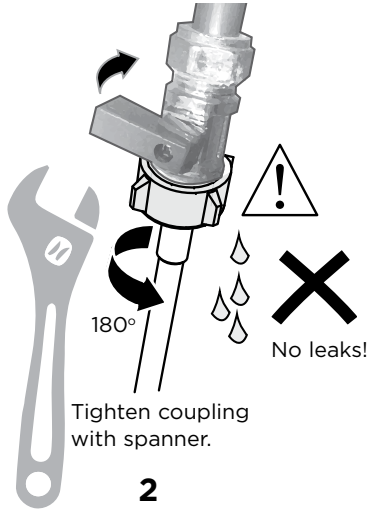


19 CONNECT INLET HOSE TO HOT WATER



Ensure the supplied rubber washer is fitted inside the coupling.

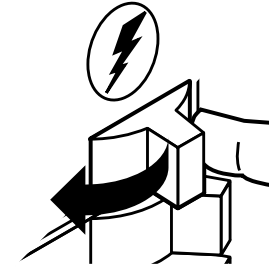
1



Tighten coupling with spanner.

2

20 SWITCH PRODUCT ON



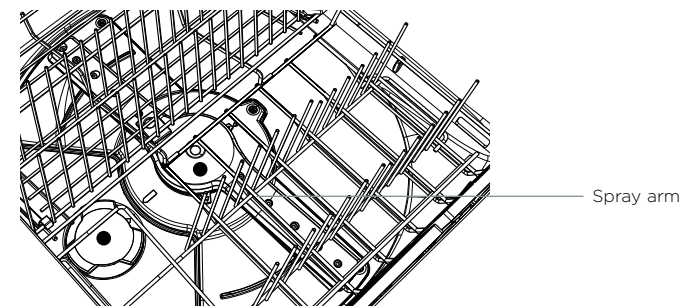
- **Excessive water remaining above the filter plate, after the rinse cycle. (This is displayed as an A3 fault. See user guide 'How to attend to a fault')**
Check for a kinked drain hose, blocked or incorrectly drilled out waste connection, highloop not properly installed, drain hose not routed correctly or spray arm not in place.
- **No water supply. (This is displayed as an A1 fault. See user guide 'How to attend to a fault')**
Check water is connected and turned on.
- **The dishwasher is beeping continuously**
There is a fault. See section 'How to attend to a fault' in the User guide for further information and instructions.
- **No program indicator lights up when the drawer is opened**
Ensure power is connected and is switched on. If it is and still no indicator lights up, see the 'Preference options' section of the 'Quick start guide'. An option called 'Open drawer auto power-on' may need to be turned on.
- **Water around water supply and drainage connections**
Check connections, existing plumbing and hoses for leaks. Check rubber washer and hose clamp are correctly fitted.
- **If product is tipping**
Ensure the product is secured to the cabinetry.
- **Drawer doesn't close properly**
Ensure nothing is obstructing the drawer from closing properly eg hoses or drawer latches.
- If a problem occurs, consult the 'Troubleshooting' section of the User guide.
- If after checking these points you still need assistance, please refer to the Service & Warranty book for warranty details and your nearest Authorised Service Centre, or contact us through our website, listed below.

22 **FINAL CHECKLIST**

✓ **TO BE COMPLETED BY THE INSTALLER**

- Check all parts are installed.
- Ensure that all panels and parts thereof are secure and final electrical tests have been conducted in accordance with local electrical regulations.
- Ensure product is level, securely fastened to the cabinetry and opens and closes freely. The drawers must be free to fully close with no resistance from the cabinetry.
- Ensure inlet hose to water supply has supplied rubber washer fitted, and that it's tightened a further half turn after seal contact.
- Ensure any knockouts or plugs in drain connection have been drilled out and drain connection has been made.
- The drain hose joiner must not support the weight of excess hose material. Keep drain hose as fully extended as possible to prevent sagging. Any excess length of drain hose should be kept on the dishwasher side of the highloop.
- If connecting the drain hose to the sink trap, ensure the Highloop is a minimum 5 7/8" (150mm) higher than the drain hose joiner.
- Ensure any packaging or tape securing the racks is removed from the drawers.
- Water softener models only: adjust the water softener setting from the default setting to suit the water hardness of the area. See the Quick start guide and section 'Water softener' in the User guide.

- Turn on the power and water supplies, then open the drawer. You should hear a beep and see a program indicator light up on the control panel.
- Check the spray arms are in place, mounted correctly and free to rotate, by physically rotating by hand.



- Add three cups of water into the drawer. Press >> until the indicator of the 'Rinse' program lights up. Close the drawer and press ▶|| to start the program.
- When the test cycle is in process check the knock sensor is working by knocking twice on the door to pause the wash program.
- After the Rinse program has finished, ensure the dishwasher has run and drained correctly.
- Check the water supply has correctly shut off and drainage connection for leakage.

Complete and keep for safe reference:

Model _____

Serial No. _____

Purchase Date _____

Purchaser _____

Dealer Address _____

Installer's Name _____

Installer's Signature _____

Installation Company _____

Installation Date _____

FISHERPAYKEL.COM

Copyright © Fisher & Paykel Appliances 2017. All rights reserved.
 The product specifications in this booklet apply to the specific products and models described at the date of issue. Under our policy of continuous product improvement, these specifications may change at any time. You should therefore check with your Dealer to ensure this booklet correctly describes the product currently available.

