



ADJUSTABLE HEIGHT WORKBENCH

Assembly Instructions

Models:

- GAWB04HWEG
- GAWB06HWEG
- GAWB06HWGW
- GAWB08HWEG
- GAWB08HWGW

ÉTABLI À HAUTEUR AJUSTABLE

Instructions d'assemblage

MESA DE TRABAJO CON ALTURA REGULABLE

Instrucciones de ensamblaje

TABLE OF CONTENTS/TABLE DES MATIÈRES/ÍNDICE

WORKBENCH SAFETY	2	SÉCURITÉ DE L'ÉTABLI	10	SEGURIDAD DE LA MESA DE TRABAJO	19
DIMENSIONS	3	DIMENSIONS	11	DIMENSIONES	20
PARTS	4	PIÈCES	12	PARTES	21
ASSEMBLY INSTRUCTIONS	5	INSTRUCTIONS D'ASSEMBLAGE	13	INSTRUCCIONES DE ENSAMBLAJE	22
Tools and Parts	5	Outils et pièces	13	Herramientas y piezas	22
Workbench Use Requirements	5	Spécifications d'utilisation de l'établi	13	Requisitos para el uso de la mesa de trabajo	22
Unpack the Workbench	5	Déballage de l'établi	13	Desempaque la mesa de trabajo	22
Install Legs and Back Panel	5	Installation des pieds et du panneau arrière	13	Instale las patas y el panel trasero	22
Inner Leg Height Adjustment	7	Ajustement de hauteur des pattes internes	15	Regulación de la altura de las patas internas	24
Complete the Assembly	8	Fin de l'assemblage	16	Complete el ensamblaje	25
Workbench Care	8	Entretien de l'établi	16	Cuidado de la Mesa de trabajo	25
Registering Your Product	8	Enregistrement de votre produit	16	Cómo registrar el producto	25
WARRANTY	9	GARANTIE	17	GARANTÍA	26

WORKBENCH SAFETY

Your safety and the safety of others are very important.

We have provided many important safety messages in this manual and on your appliance. Always read and obey all safety messages.



This is the safety alert symbol.

This symbol alerts you to potential hazards that can kill or hurt you and others.

All safety messages will follow the safety alert symbol and either the word "DANGER" or "WARNING."

These words mean:

! DANGER

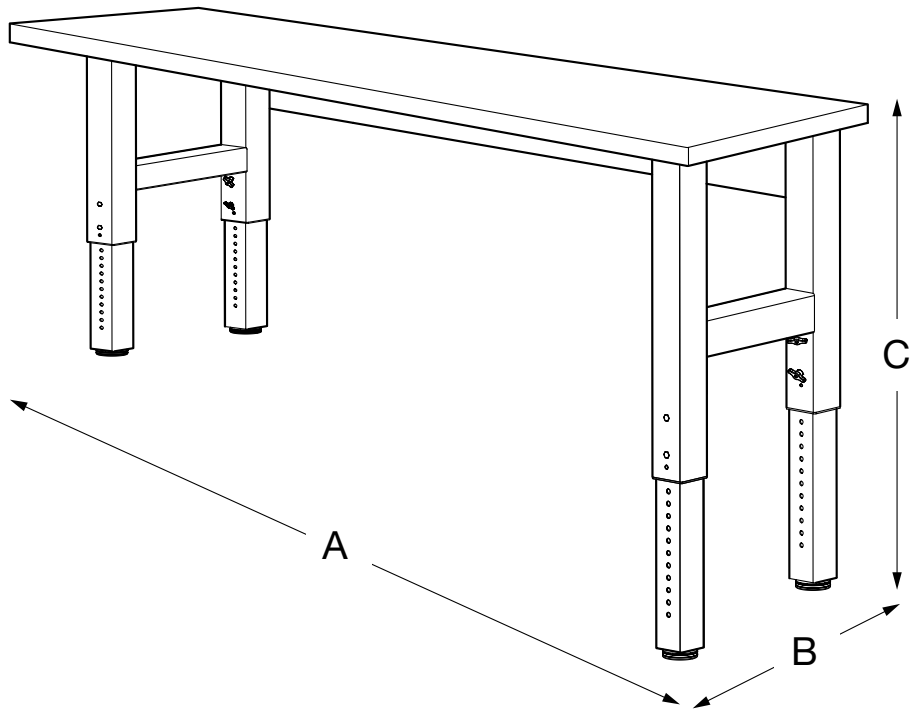
You can be killed or seriously injured if you don't immediately follow instructions.

! WARNING

You can be killed or seriously injured if you don't follow instructions.

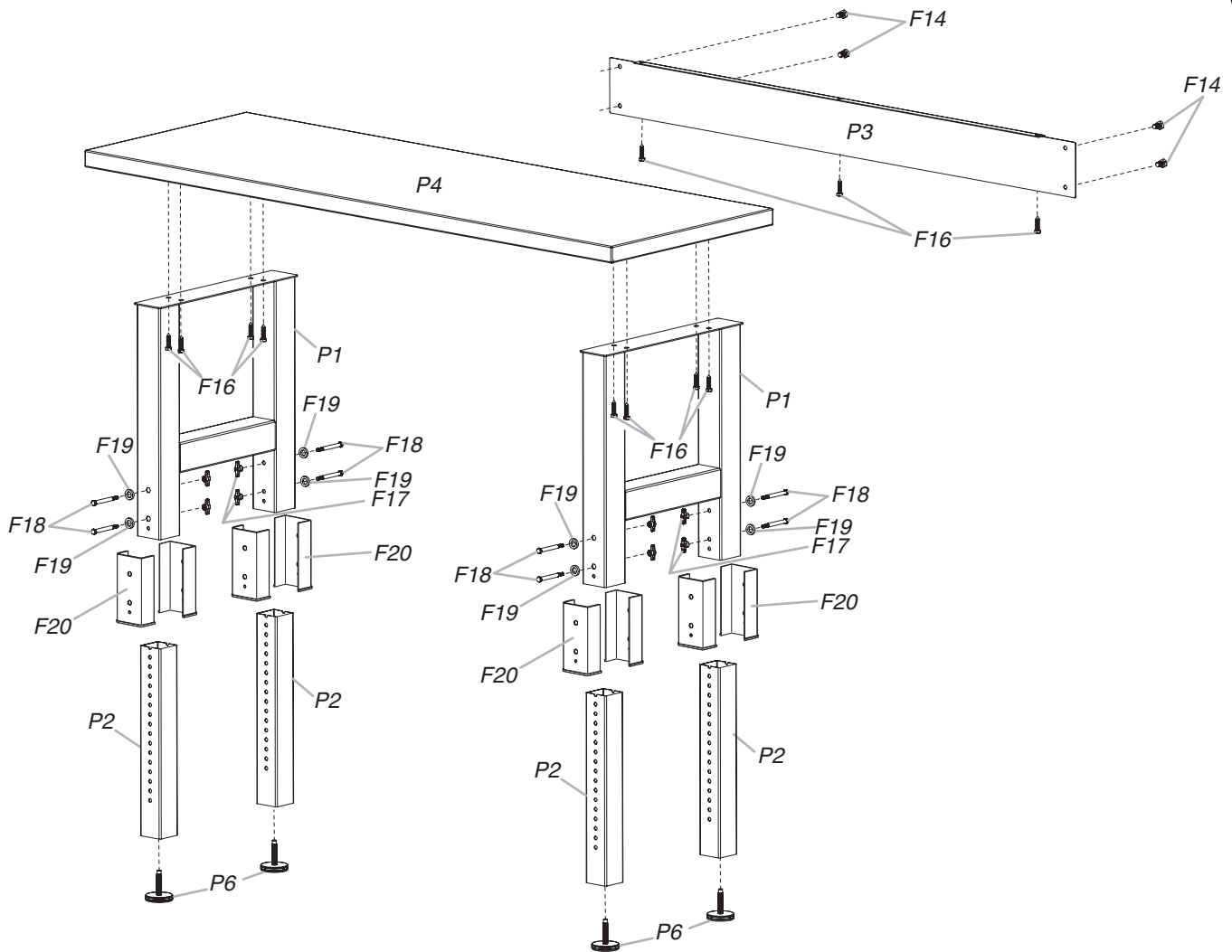
All safety messages will tell you what the potential hazard is, tell you how to reduce the chance of injury, and tell you what can happen if the instructions are not followed.

DIMENSIONS

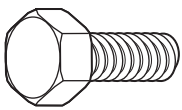


Model	GAWB04HWEG	GAWB06HWEG GAWB06HWGW	GAWB08HWEG GAWB08HWGW
A	48"(122 cm)	72"(183 cm)	96"(244 cm)
B	25"(63.5 cm)	25"(63.5 cm)	25"(63.5 cm)
C	27.5" - 40.8"(69.9 cm - 103.6 cm)	27.5" - 40.8"(69.9 cm - 103.6 cm)	27.5" - 40.8"(69.9 cm - 103.6 cm)

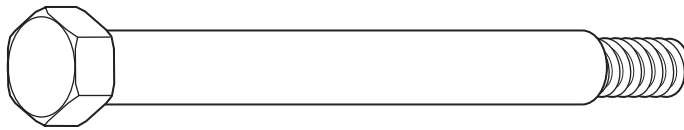
PARTS



- | | | | |
|------|--|------|---|
| P1. | Workbench outer legs | F17. | Wing nuts |
| P2. | Workbench inner legs | F18. | 5/16" (8 mm) hex-head bolts |
| P3. | Back panel | F19. | ID 8 mm x OD 12.5 mm x
THK 3 mm washer |
| P4. | Workbench top | F20. | Bushing |
| P6. | 1/2" (12.7 mm) x 2" (50.8 mm)
leveling legs | | |
| F14. | M8 hex-head bolts | | |
| F16. | 3/8" (9.5 mm) x
1 1/2" (3.81 cm) screws | | |



F14



F18



F19

ASSEMBLY INSTRUCTIONS

Tools and Parts

Gather the required tools and parts before starting installation.

Tools Needed

- 9/16" socket wrench
- Adjustable wrench

Parts Supplied

4 ft (121.9 cm), 6 ft (182.9 cm), and 8 ft (243.9 cm) Workbench

- Workbench outer legs (2 welded sets)
- Workbench inner legs (4)
- Workbench back panel
- Workbench top
- 1/2" (12.7 mm) Leveling legs (4)
- M8 hex-head bolts (5)
- 3/8" (9.5 mm) x 1 1/2" (3.81 cm) screws (15)
- Wingnuts (8)
- 5/16" (8 mm) hex-head bolts (8)
- ID 8 mm x OD 12.5 mm x THK 3 mm washer (8)
- Bushing (8)
- 5 mm wrench (1)

Workbench Use Requirements

⚠ WARNING

Excessive Weight Hazard

Use two or more people to move and assemble workbench.

Failure to do so can result in back or other injury.

- Intended for use in a garage.
- Maximum weight limit is 3,000 lbs (1,360 kg).
- Adding casters to this workbench could be a tipping hazard.

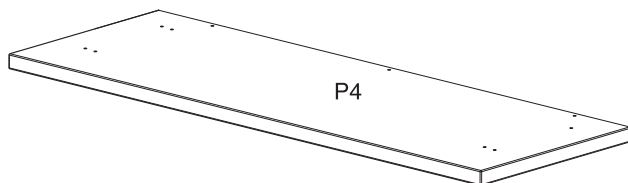
Unpack the Workbench

1. Unpack the legs and hardware from the box. Verify contents. See the "Parts Supplied" section.
NOTE: Workbench Legs come fully assembled.
2. Remove the back panel and set it aside.
NOTE: Leave the workbench top on the cardboard during assembly.
3. Remove the corners from the workbench top. The bolt holes should be visible. Inspect workbench top prior to assembly.
4. Dispose of/recycle all packaging materials.

Install Legs and Back Panel

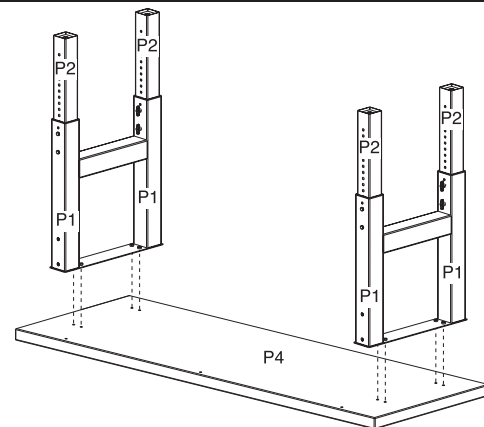
NOTE: Assemble and adjust this workbench upside down according to the following illustrations. Be sure that the workbench top is flat on the floor and the legs are in the air. To protect the workbench top during assembly, it is recommended that you place the wood top upside down on the cardboard provided in the package.

1. Prepare workbench top



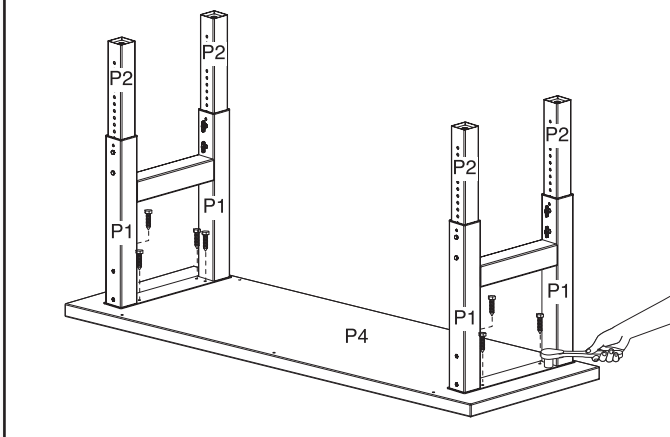
Lay the workbench top (P4) upside down on a clean surface to expose the holes for the leg assembly sets.

2. Place leg assemblies



Place each outer leg assembly (P1) on the workbench underside. Line up the holes in the outer leg assembly sets with the holes on the bottom of the workbench top (P4). Each outer leg assembly end has two holes that must face the three holes on the back of the wood top for installation of the back panel.

3. Attach leg assemblies

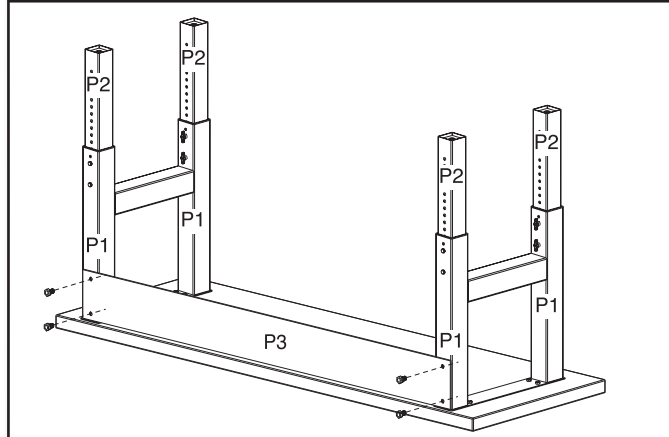


Attach the leg assemblies (P1) to the workbench top (P4) using eight of the provided 3/8" (9.5 mm) x 1 1/2" (3.81 cm) screws (F16). Make sure the screws are inserted straight into the holes. Loosely install the screws using a 9/16" socket wrench. Do not tighten the screws completely.

NOTES:

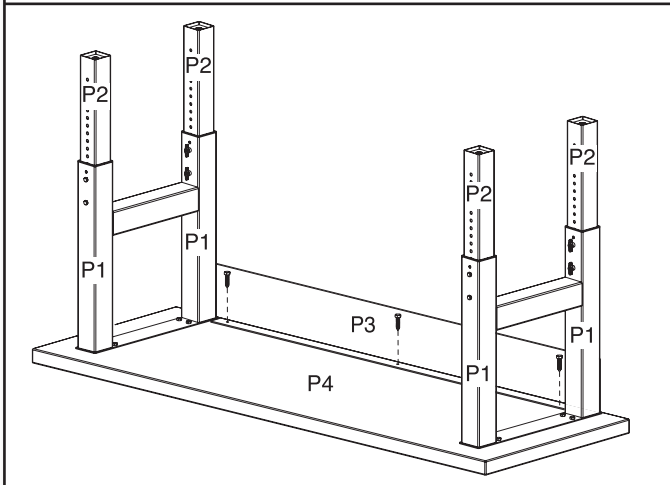
- Tightening the screws at an angle can place excessive stress on the screws, which may cause the screws to fail.
- The holes in the legs are oval to allow space for minor adjustments as the workbench is assembled.

4. Attach back panel to leg assemblies



Using a 5 mm wrench, attach the back panel (P3) to the leg assemblies (P1) with the four provided M8 hex-head bolts (F14). Do not tighten the bolts completely.

5. Attach back panel to workbench top



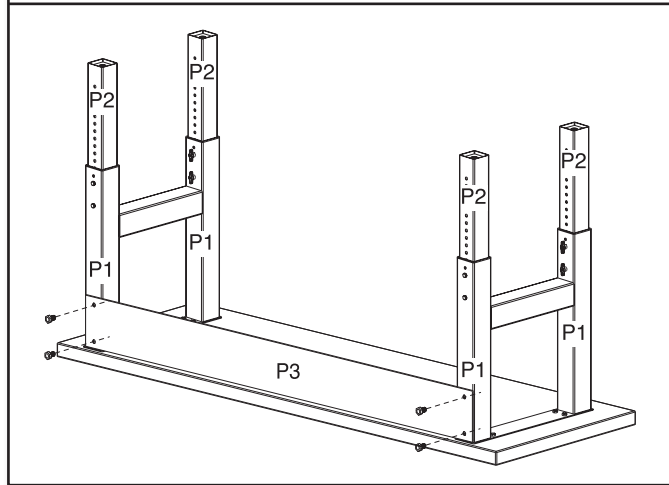
Attach the back panel (P3) to the workbench top (P4) using the remaining screws*. Make sure that the screws are inserted straight into the holes. Tighten the screws using a 9/16" socket wrench.

NOTE: Tightening the screws (F16) at an angle can place excessive stress on the screws, which may cause the screws to fail.

*NOTE:

- For 4' workbench, use two screws (F16).
- For 6' workbench, use three screws (F16).
- For 8' workbench, use six screws (F16).

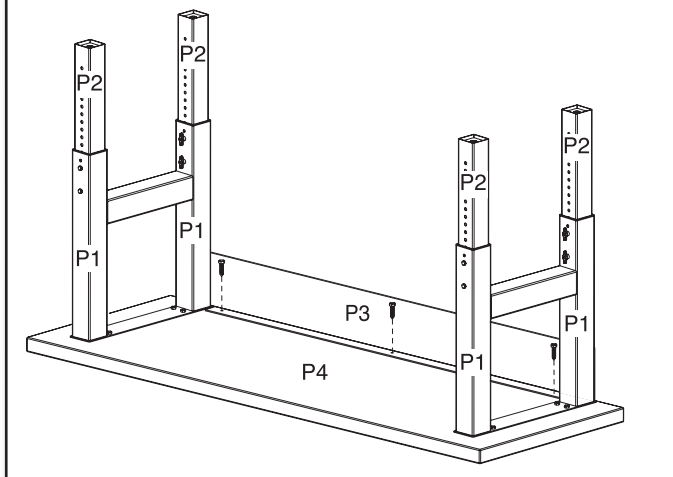
6. Tighten leg assembly bolts



Using a 5 mm wrench, tighten the bolts to attach the back panel (P3) to the outer leg assemblies (P1) completely.

NOTE: Do not overtighten the bolts and screws.

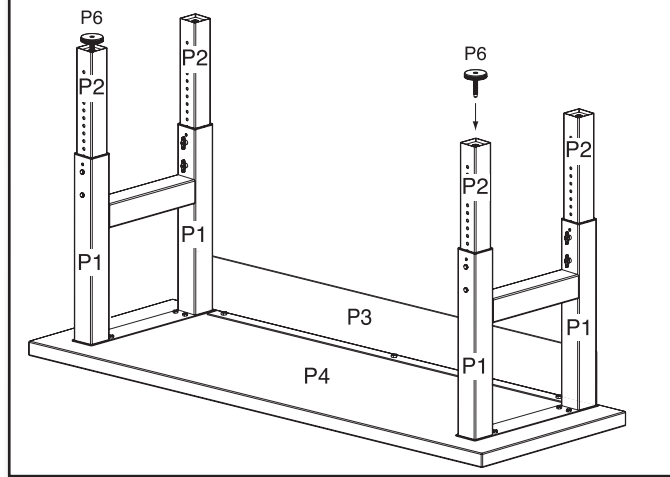
7. Tighten bolts and screws



Tighten all remaining bolts and screws.

NOTE: Do not overtighten the bolts and screws.

8. Attach the leveling legs



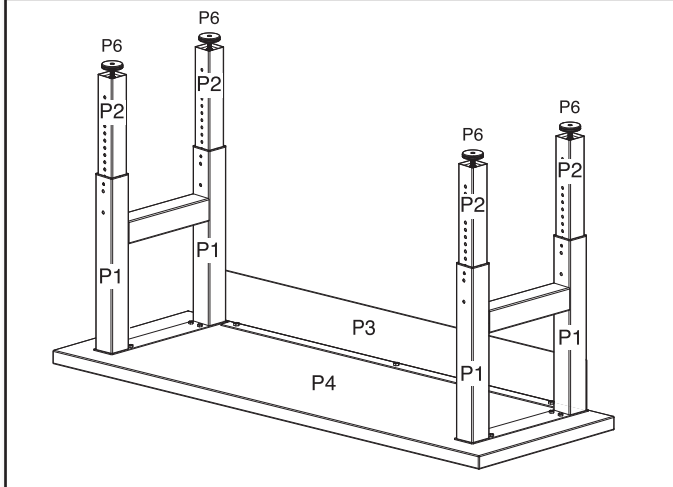
If not already installed, screw in the four leveling legs (P6). The leveling legs have a flat side designed for use with an adjustable wrench, if needed.

IMPORTANT: To install the leveling legs, turn clockwise a minimum of 1½" (3.8 cm), or 12 full turns. Further adjustment can be made ¼" (6 mm) down from this position or until the leveling leg cannot be turned any further against the bottom of the inner leg (P2).

Inner Leg Height Adjustment

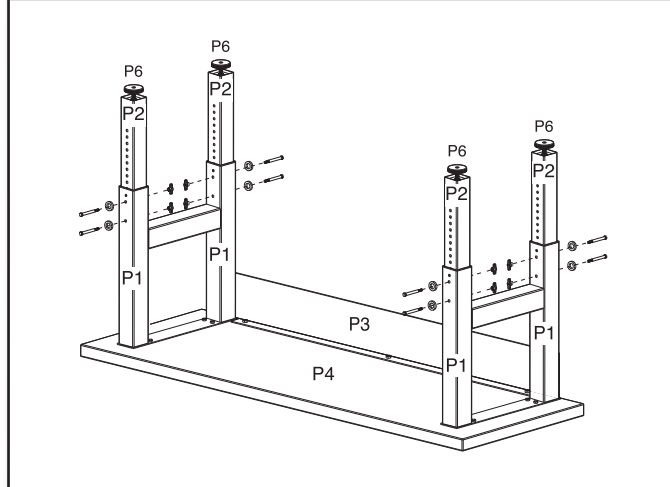
NOTE: Adjust this workbench upside down according to the illustrations. Be sure that the workbench top is flat on the floor and the legs are in the air.

1. Align adjustment holes



Before setting the workbench upright, verify that the same number of adjustment holes are visible with no more than 11 exposed holes on each leg to ensure that the workbench will be level. Align the adjustment holes in the inner leg (P2) with the adjustment holes in the outer leg assembly (P1) at the desired height of the workbench.

2. Attach leg assemblies



Insert a 5/16" (8 mm) hex-head bolt (F18) and washer (F19) and secure with a wingnut (F17). Be sure the hex-head bolt aligns with the hex-shaped adjustment hole. Repeat for each leg.

NOTE: To minimize multiple adjustments during assembly, make sure the adjustment holes are aligned at the same desired height for all the legs.

Complete the Assembly

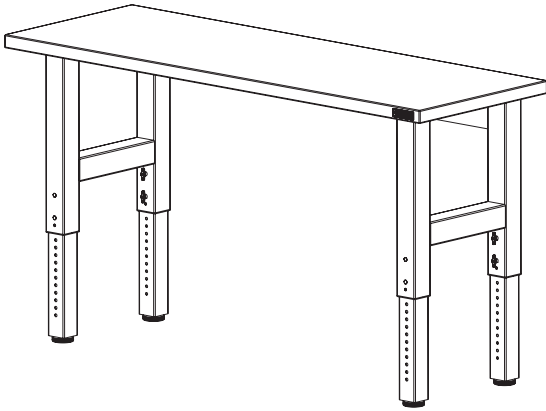
⚠ WARNING

Excessive Weight Hazard

Use two or more people to move and assemble workbench.

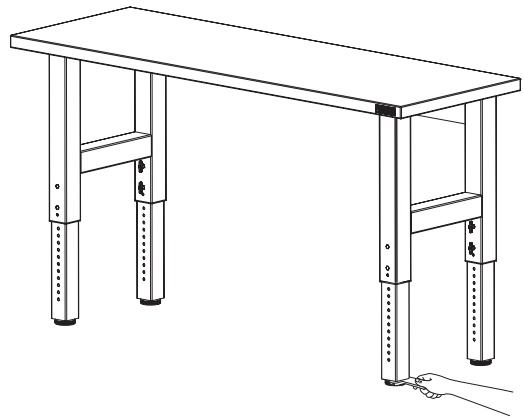
Failure to do so can result in back or other injury.

1. Stand up workbench



Using two or more people, stand the workbench upright and place it in its final location.

2. Adjust leveling legs



Adjust the leveling legs as needed.

IMPORTANT: When adjusting the leveling legs, be sure they are installed at least $1\frac{1}{2}$ " (3.8 cm) or 12 full turns deep into the legs.

Workbench Care

1. Wash the workbench with a mild detergent and warm water. Do not allow water to remain on the workbench for any length of time.
2. Rinse completely and dry thoroughly.

Registering Your Product

There are many benefits of registering your product. Find out more and register your product online at www.gladiatorgarageworks.com. Consumers in Canada can call 1-800-807-6777.

GLADIATOR® WORKBENCH WARRANTY

ATTACH YOUR RECEIPT HERE. PROOF OF PURCHASE IS REQUIRED TO OBTAIN WARRANTY SERVICE.

Please have the following information available when you call the Customer eXperience Center:

- Name, address and telephone number
- Model number and serial number
- A clear, detailed description of the problem
- Proof of purchase including dealer or retailer name and address

IF YOU NEED SERVICE:

1. Before contacting us to arrange service, please determine whether your product requires repair. Some questions can be addressed without service. Please take a few minutes to review the instructions or visit www.gladiatorgarageworks.com.
2. All warranty service is provided exclusively by our authorized Gladiator Service Providers. In the U.S. and Canada, direct all requests for warranty service to:

Gladiator Customer eXperience Center

In the U.S.A., call 1-866-342-4089. In Canada, call 1-800-807-6777.

If outside the 50 United States or Canada, contact your authorized Gladiator dealer to determine whether another warranty applies.

ONE YEAR LIMITED WARRANTY

WHAT IS COVERED

ONE YEAR LIMITED WARRANTY ON WOODEN TOP

For one year from the date of purchase, when this product is operated and maintained according to the instructions attached to or furnished with the product, Gladiator will replace or repair the defective product or parts to correct defects in materials or workmanship.

LIFETIME LIMITED WARRANTY ON WORKBENCH METAL SECTIONS

For the life of the product, when the Workbench is used and maintained according to the instructions attached to or furnished with the product, Gladiator will pay for repair or replacement of the defective product or parts to correct defects in materials or workmanship.

WHAT IS NOT COVERED

1. Service calls to correct the installation of any Gladiator products or to instruct you on how to use or install them.
2. Damage resulting from improper handling or shipping of products, or products damaged by accident, misuse, abuse, fire, flood, improper installation, acts of God, neglect, corrosion, modification or mishandling.
3. Shipping or freight fees to deliver replacement products or to return defective products.
4. Repairs or replacement when your product is used in other than normal, single-family household use, such as a commercial environment or handled in any way inconsistent with the installation instructions included with the product.
5. Cosmetic damage including scratches, dings, dents or cracks that do not affect the structural or functional capability of the product.
6. Replacement parts or product for Gladiator products operated outside the United States and Canada.
7. In Canada, travel or transportation expenses for customers who reside in remote areas.
8. Any labor costs during the limited warranty period.
9. Damage resulting from improper loading beyond the specified maximum weight capacity outlined in the assembly instructions provided with the product.
10. Surfaces damaged due to chemical interaction resulting in corrosion of paint or metal.
11. Any damage, splitting, checking, cracking or warping of the wooden top past the first year.

The cost of repair or replacement under these excluded circumstances shall be borne by the customer.

DISCLAIMER OF IMPLIED WARRANTIES; LIMITATION OF REMEDIES

IMPLIED WARRANTIES, INCLUDING TO THE EXTENT APPLICABLE WARRANTIES OF MERCHANTABILITY OR FITNESS FOR A PARTICULAR PURPOSE, ARE EXCLUDED TO THE EXTENT LEGALLY PERMISSIBLE. ANY IMPLIED WARRANTIES THAT MAY BE IMPOSED BY LAW ARE LIMITED TO ONE YEAR, OR THE SHORTEST PERIOD ALLOWED BY LAW. SOME STATES AND PROVINCES DO NOT ALLOW LIMITATIONS OR EXCLUSIONS ON HOW LONG AN IMPLIED WARRANTY OF MERCHANTABILITY OR FITNESS LASTS, SO THE ABOVE LIMITATIONS OR EXCLUSIONS MAY NOT APPLY TO YOU. THIS WARRANTY GIVES YOU SPECIFIC LEGAL RIGHTS, AND YOU MAY ALSO HAVE OTHER RIGHTS WHICH VARY FROM STATE TO STATE OR PROVINCE TO PROVINCE.

Outside the 50 United States and Canada, this warranty does not apply. Contact your authorized Gladiator dealer to determine if another warranty applies.

If you need service, call the Gladiator Customer eXperience Center, **1-866-342-4089** (toll-free), from anywhere in the U.S.A. In Canada, contact your Whirlpool Canada LP designated service company or call **1-800-807-6777**.

In the United States, Gladiator means Whirlpool Corporation, Benton Harbor, Michigan 49022. In Canada, Gladiator means Whirlpool Canada LP, Mississauga, ON L5N 3A7.

Keep this book and your sales slip together for future reference. You must provide proof of purchase or installation date for in-warranty service.

Write down the following information about your Workbench to better help you obtain assistance or service if you ever need it. You will need to know your complete model number and serial number. You can find this information on the model and serial label located on the back of the product.

Dealer name _____

Address _____

Phone number _____

Model number _____

Serial number _____

Purchase date _____

SÉCURITÉ DE L'ÉTABLI

Votre sécurité et celle des autres est très importante.

Nous donnons de nombreux messages de sécurité importants dans ce manuel et sur votre appareil ménager. Assurez-vous de toujours lire tous les messages de sécurité et de vous y conformer.



Voici le symbole d'alerte de sécurité.

Ce symbole d'alerte de sécurité vous signale les dangers potentiels de décès et de blessures graves à vous et à d'autres.

Tous les messages de sécurité suivront le symbole d'alerte de sécurité et le mot "DANGER" ou "AVERTISSEMENT". Ces mots signifient :

! DANGER

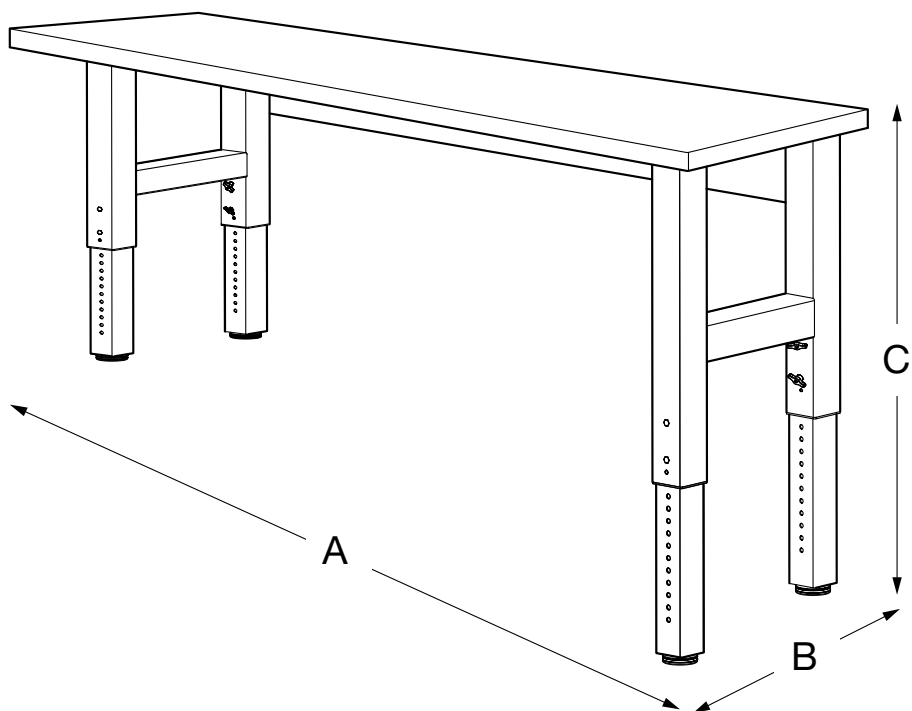
Risque possible de décès ou de blessure grave si vous ne suivez pas immédiatement les instructions.

! AVERTISSEMENT

Risque possible de décès ou de blessure grave si vous ne suivez pas les instructions.

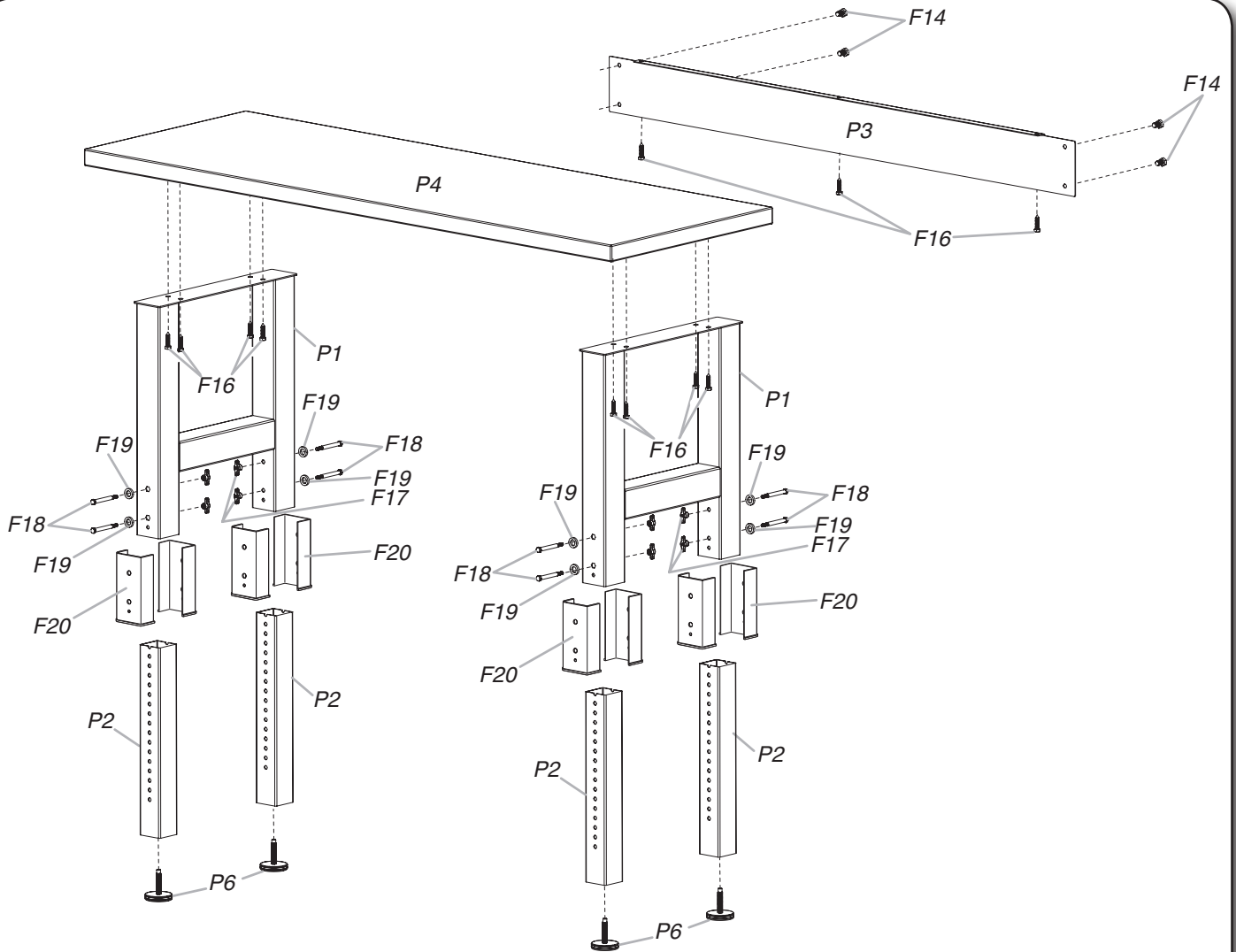
Tous les messages de sécurité vous diront quel est le danger potentiel et vous disent comment réduire le risque de blessure et ce qui peut se produire en cas de non-respect des instructions.

DIMENSIONS

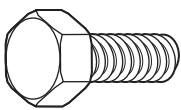


Modèle	GAWB04HWEG	GAWB06HWEG GAWB06HWGW	GAWB08HWEG GAWB08HWGW
A	48 po (122 cm)	72 po (183 cm)	96 po (244 cm)
B	25 po (63,5 cm)	25 po (63,5 cm)	25 po (63,5 cm)
C	27,5 po à 40,8 po (69,9 cm à 103,6 cm)	27,5 po à 40,8 po (69,9 cm à 103,6 cm)	27,5 po à 40,8 po (69,9 cm à 103,6 cm)

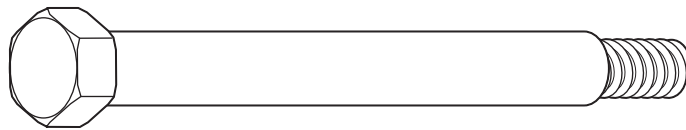
PIÈCES



- | | | | |
|------|---|------|---|
| P1. | Pattes externes de l'établi | F17. | Écrous à oreilles |
| P2. | Pattes internes de l'établi | F18. | Boulons à tête hexagonale de 5/16 po (8 mm) |
| P3. | Panneau arrière | F19. | Rondelle de 8 mm DI x 12,5 mm DE x 3 mm épaisseur |
| P4. | Dessus de l'établi | F20. | Bague |
| P6. | Pieds de nivellement de 1/2 po (12,7 mm) x 2 po (50,8 cm) | | |
| F14. | Boulons à tête hexagonale M8 | | |
| F16. | Vis de 3/8 po (9,5 mm) x 1 1/2 po (3,81 cm) | | |



F14



F18



F19

INSTRUCTIONS D'ASSEMBLAGE

Outils et pièces

Rassembler les outils et pièces nécessaires avant d'entreprendre l'installation.

Outils nécessaires

- Clé à douille de 9/16 po
- Clé à molette

Pièces fournies

Établi de 4 pi (121,9 cm), 6 pi (182,9 cm) et 8 pi (243,9 cm)

- Pattes externes de l'établi (2 ensembles soudés)
- Pattes internes de l'établi (4)
- Panneau arrière de l'établi
- Dessus de l'établi
- Pieds de nivellement de 1/2 po (12,7 mm) (4)
- Boulons à tête hexagonale M8 (5)
- Vis de 3/8 po (9,5 mm) x 1 1/2 po (3,81 cm) (15)
- Écrous à oreilles (8)
- Boulons à tête hexagonale de 5/16 po (8 mm) (8)
- Rondelles de 8 mm DI x 12,5 mm DE x 3 mm épaisseur (8)
- Bagues (8)
- Clé de 5 mm (1)

Spécifications d'utilisation de l'établi

⚠ AVERTISSEMENT

Risque du poids excessif

Utiliser deux ou plus de personnes pour déplacer et assembler l'établi.

Le non-respect de cette instruction peut causer une blessure au dos ou d'autre blessure.

- Le produit est conçu pour une utilisation dans un garage.
- La limite de charge maximale est de 3 000 lb (1 360 kg).
- L'ajout de roulettes à cet établi pose un risque de renversement.

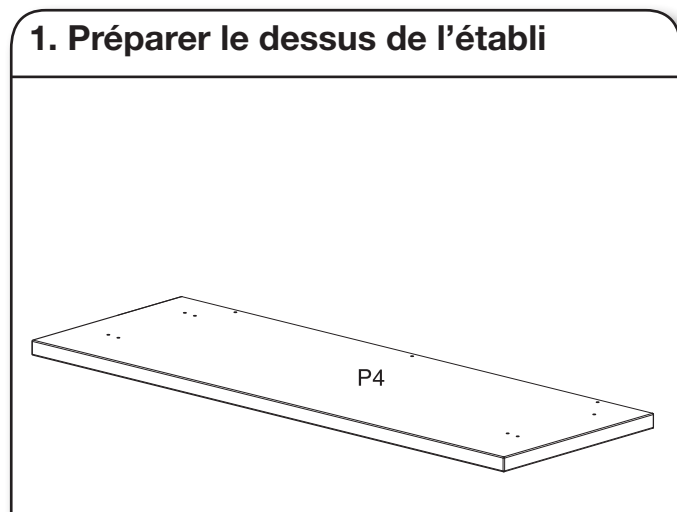
Déballage de l'établi

1. Déballer les pattes et le matériel de la boîte. Vérifier le contenu. Consulter la section "Pièces fournies".
REMARQUE : Les pattes de l'établi sont déjà assemblées.
2. Enlever le panneau arrière et le mettre de côté.
REMARQUE : Laisser le dessus de l'établi sur le carton d'emballage lors de l'assemblage.
3. Enlever les coins du dessus de l'établi. Les trous de boulons devraient être visibles. Vérifier le dessus de l'établi avant d'effectuer l'assemblage.
4. Éliminer/recycler tous les matériaux d'emballage.

Installation des pieds et du panneau arrière

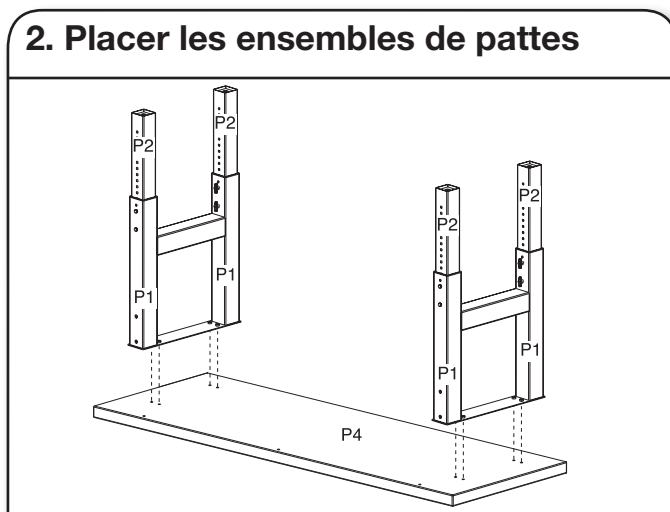
REMARQUE : Assembler et ajuster cet établi à l'envers, conformément aux illustrations suivantes. S'assurer que le dessus de l'établi repose à plat sur le plancher et que les pattes sont en l'air. Pour protéger le dessus de l'établi pendant l'assemblage, il est recommandé de placer le dessus de bois à l'envers sur le carton fourni dans l'emballage.

1. Préparer le dessus de l'établi



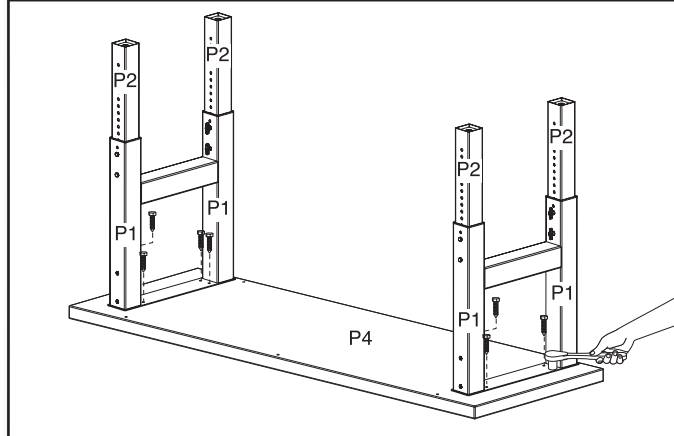
Poser le dessus de l'établi (P4) à l'envers sur une surface propre pour exposer les trous prévus pour les pattes.

2. Placer les ensembles de pattes



Placer chaque ensemble de pattes externes (P1) sur le dessus de l'établi. Aligner les trous des ensembles de pattes externes avec les trous situés au bas du dessus de l'établi (P4). Chaque extrémité de l'ensemble de pattes externe a deux trous qui doivent faire face aux trois trous situés à l'arrière du dessus en bois pour effectuer l'installation du panneau arrière.

3. Fixer les ensembles de pattes

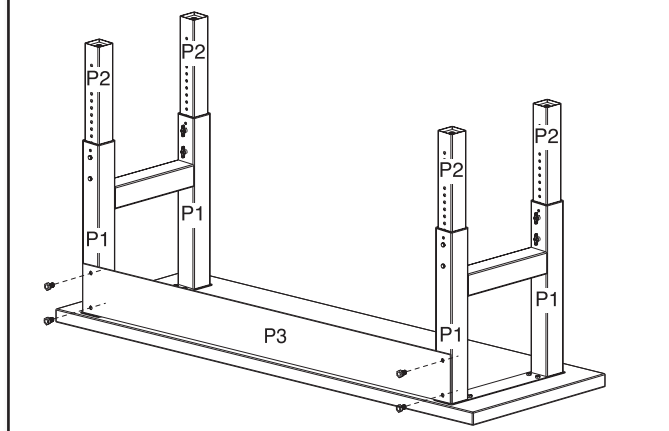


Fixer les ensembles de pattes (P1) au-dessus de l'établi (P4) au moyen de huit vis de 3/8 po (9,5 mm) x 1 1/2 po (3,81 cm) fournies (F16). S'assurer que les vis sont insérées bien droit dans les trous. Installer sans serrer les vis à l'aide d'une clé à douille de 9/16 po. Ne pas complètement serrer les vis.

REMARQUES :

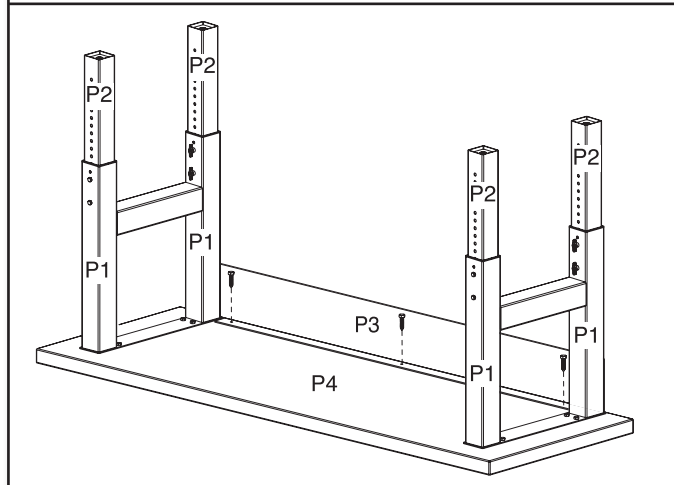
- Serrer les vis en angle pourrait exercer une pression trop importante sur les vis et les casser.
- Les trous sur les pattes sont de forme ovale afin de laisser de l'espace pour de petits ajustements éventuels pendant l'assemblage de l'établi.

4. Fixer le panneau arrière aux ensembles de pattes



À l'aide d'une clé de 5 mm, fixer le panneau arrière (P3) aux ensembles de pattes (P1) au moyen de quatre boulons à tête hexagonale M8 (F14). Ne pas complètement serrer les boulons.

5. Fixer le panneau arrière au-dessus de l'établi



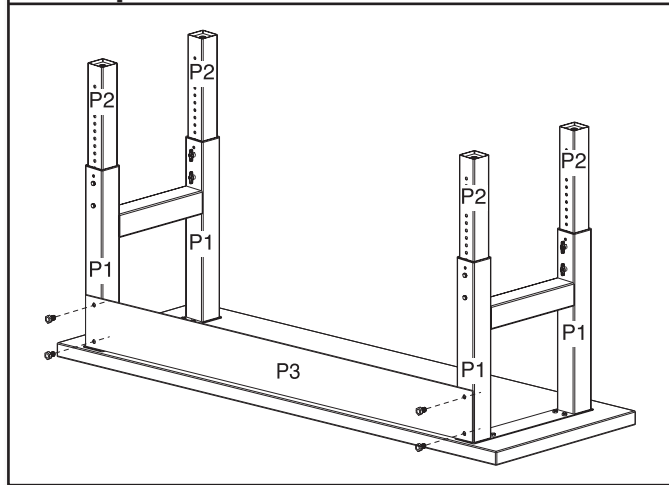
Fixer le panneau arrière (P3) au-dessus de l'établi (P4) à l'aide des vis restantes. S'assurer que les vis sont insérées bien droit dans les trous. Serrer les vis à l'aide d'une clé à douille de 9/16 po.

REMARQUE : Serrer les vis (F16) en angle pourrait exercer une pression trop importante sur les vis et les casser.

*REMARQUE :

- Pour un établi de 4 pi, utiliser deux vis (F16).
- Pour un établi de 6 pi, utiliser trois vis (F16).
- Pour un établi de 8 pi, utiliser six vis (F16).

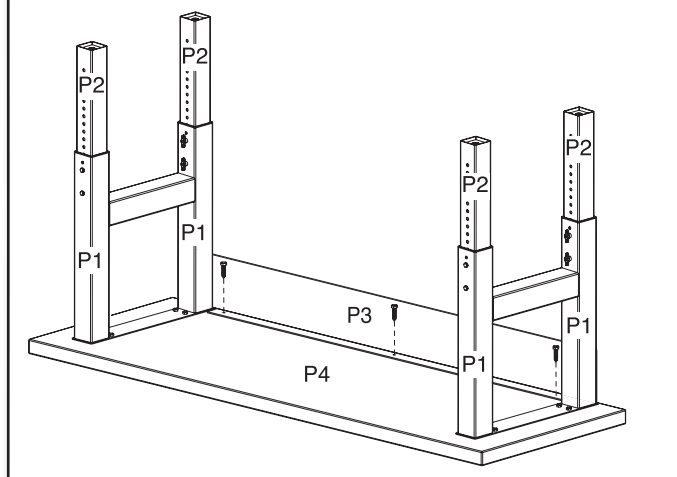
6. Serrer les boulons des ensembles de pattes



À l'aide d'une clé de 5 mm, serrer complètement les boulons pour fixer le panneau arrière (P3) aux ensembles de pattes externes (P1).

REMARQUE : Ne pas serrer excessivement les boulons et les vis.

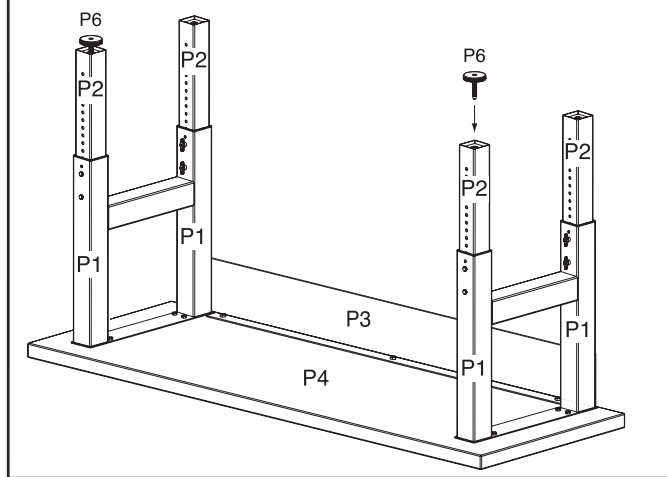
7. Serrer les boulons et les vis



Serrer tous les boulons et vis restants.

REMARQUE : Ne pas serrer excessivement les boulons et les vis.

8. Fixer les pieds de nivellement



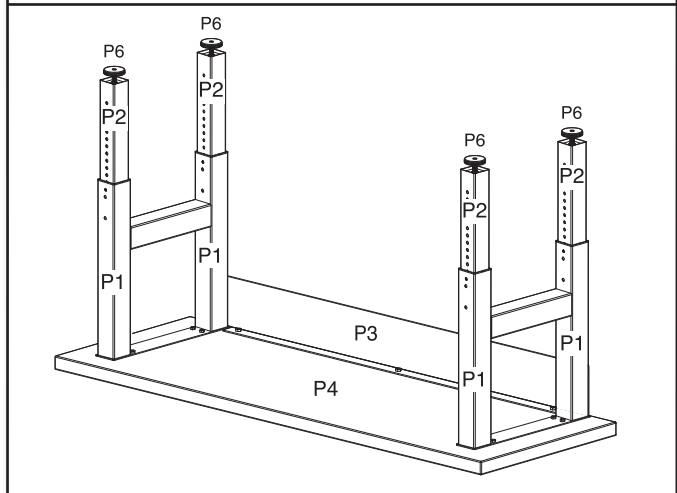
S'ils ne sont pas déjà installés, visser les quatre pieds de nivellement (P6). Les pieds de nivellement ont un côté plat conçu pour l'utilisation avec une clé à molette si nécessaire.

IMPORTANT : Pour installer les pieds de nivellement, les tourner dans le sens horaire d'au moins 1 1/2 po (3,8 cm) ou 12 tours complets. Les pieds de nivellement peuvent être abaissés de 1/4 po (6 mm) supplémentaires ou jusqu'à ce qu'il ne soit plus possible de les tourner et qu'ils soient en contact avec le dessous des pattes internes (P2).

Ajustement de hauteur des pattes internes

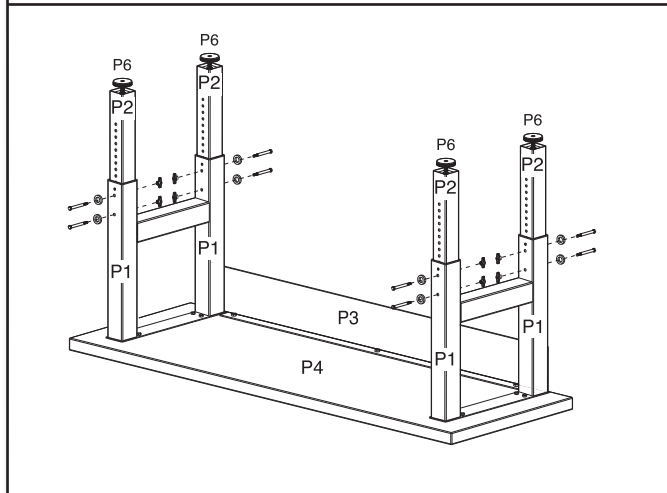
REMARQUE : Ajuster cet établi à l'envers conformément aux illustrations. S'assurer que le dessus de l'établi repose à plat sur le plancher et que les pattes sont en l'air.

1. Aligner les trous d'ajustement



Avant de redresser l'établi, vérifier qu'il reste le même nombre de trous d'ajustement visibles avec pas plus de 11 trous inutilisés sur chaque patte pour être sûr que l'établi est d'aplomb.. Aligner les trous d'ajustement des pattes internes (P1) avec les trous d'ajustement des pattes externes (P2) et les placer à la hauteur souhaitée pour l'établi.

2. Fixer les ensembles de pattes



Insérer un boulon à tête hexagonale de 5/16 po (8 mm) (F18) et une rondelle (F19), puis les fixer avec un écrou à oreilles (F17). Veiller à ce que le boulon à tête hexagonale soit aligné avec le trou d'ajustement de forme hexagonale. Répéter pour chaque patte.

REMARQUE : Pour réduire le nombre d'ajustements nécessaires durant le montage, s'assurer que les trous d'ajustement de toutes les pattes sont alignés à la même hauteur souhaitée.

Fin de l'assemblage

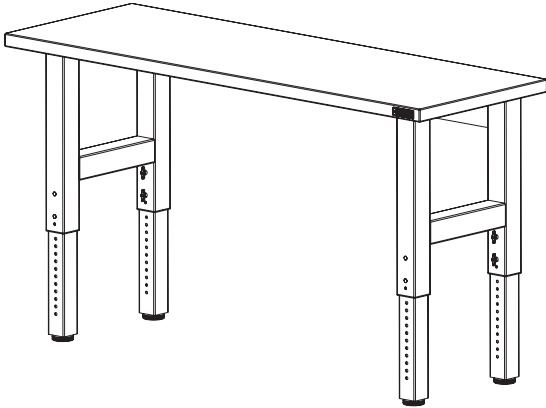
⚠ AVERTISSEMENT

Risque du poids excessif

Utiliser deux ou plus de personnes pour déplacer et assembler l'établi.

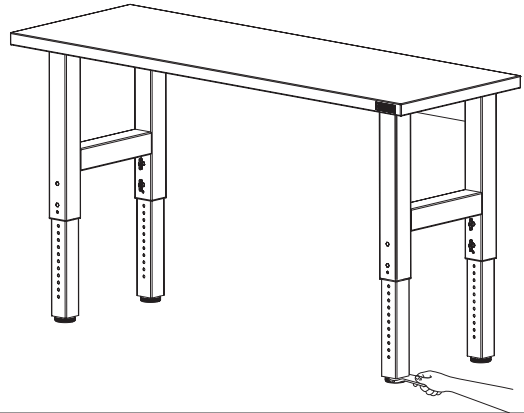
Le non-respect de cette instruction peut causer une blessure au dos ou d'autre blessure.

1. Mettre l'établi debout



À l'aide de deux personnes ou plus, mettre l'établi debout et le placer à son emplacement final.

2. Ajustement des pieds de nivellement



Ajuster les pieds de nivellement si nécessaire.

IMPORTANT : Lors de l'ajustement des pieds de nivellement, s'assurer qu'ils sont engagés dans les pattes de l'établi d'au moins 1 1/2 po (3,8 cm) ou de 12 tours complets.

Entretien de l'établi

1. Laver l'établi avec un détergent doux et de l'eau tiède. Ne jamais laisser d'eau sur l'établi, peu importe la période.
2. Rincer complètement et bien sécher.

Enregistrement de votre produit

Il y a plusieurs avantages à enregistrer votre produit. Pour obtenir plus de renseignements et enregistrer votre produit en ligne, consulter le www.gladiatorgarageworks.com. Les consommateurs au Canada peuvent composer le **1 800 807-6777**.

GARANTIE DE L'ÉTABLI GLADIATOR®

ATTACHEZ ICI VOTRE REÇU DE VENTE. UNE PREUVE D'ACHAT EST OBLIGATOIRE POUR OBTENIR L'APPLICATION DE LA GARANTIE.

Lorsque vous appelez le centre eXperience à la clientèle, veuillez garder à disposition les renseignements suivants :

- Nom, adresse et numéro de téléphone
- Numéros de modèle et de série
- Une description claire et détaillée du problème rencontré
- Une preuve d'achat incluant le nom et l'adresse du marchand ou du détaillant

SI VOUS AVEZ BESOIN DE SERVICE :

1. Avant de nous contacter pour obtenir un dépannage, veuillez déterminer si des réparations sont nécessaires pour votre produit. Certains problèmes peuvent être résolus sans intervention de dépannage. Veuillez prendre quelques minutes pour passer en revue les instructions ou visiter le www.gladiatorgarageworks.com.
2. Tout service sous garantie doit être effectué exclusivement par nos fournisseurs de dépannage autorisés Gladiator.
Aux É.-U. et au Canada, dirigez toutes vos demandes de service sous garantie au :

Gladiator Centre eXperience à la clientèle

Aux États-Unis, composez le 1 866 342-4089. Au Canada, composez le 1 800 807-6777.

Si vous résidez à l'extérieur du Canada et des 50 États des États-Unis, contactez votre marchand Gladiator autorisé pour déterminer si une autre garantie s'applique.

GARANTIE LIMITÉE DE UN AN

CE QUI EST COUVERT

GARANTIE LIMITÉE DE UN AN SUR LA PARTIE SUPÉRIEURE EN BOIS

Pendant un an à compter de la date d'achat, lorsque ce produit a été utilisé et entretenu conformément aux instructions fournies avec le produit, Gladiator remplacera ou réparera le produit ou les pièces défectueuses pour corriger les vices de matériaux ou de fabrication.

GARANTIE LIMITÉE À VIE SUR LES SECTIONS MÉTALLIQUES DE L'ÉTABLI

Pendant toute la vie du produit, lorsque l'établi est utilisé et entretenu conformément aux instructions fournies avec le produit, Gladiator paiera pour la réparation ou le remplacement du produit ou des pièces défectueuses pour corriger les vices de matériaux ou de fabrication.

CE QUI N'EST PAS COUVERT

1. Les appels de service pour rectifier l'installation de tout produit Gladiator ou pour expliquer comment l'utiliser ou l'installer.
2. Les dommages causés par une manipulation ou une mauvaise expédition des produits, ou les produits endommagés par accident, mauvaise utilisation, abus, incendie, inondation, installation incorrecte, catastrophe naturelle, négligence, corrosion, modification ou mauvaise manipulation.
3. Les frais d'expédition ou de transport pour livrer des produits de rechange ou retourner des produits défectueux.
4. Les réparations ou remplacements lorsque le produit est utilisé autrement que pour une utilisation unifamiliale normale, comme dans un environnement commercial ou manipulé d'une façon non conforme aux instructions d'installation fournies avec le produit.
5. Les défauts d'apparence – éraflures, traces de choc ou fissures – n'affectant pas la fonctionnalité ou la résistance structurale du produit.
6. Les pièces ou le produit de rechange pour les produits Gladiator qui sont utilisés en dehors des États-Unis et du Canada.
7. Au Canada, les frais de déplacement ou de transport pour les clients qui habitent dans des régions éloignées.
8. Tous les frais de main-d'œuvre encourus au cours de la période de garantie limitée.
9. Les dommages causés par un chargement incorrect au-delà de la capacité de poids maximum spécifiée dans les instructions d'assemblage fournies avec le produit.
10. Les surfaces endommagées par une interaction chimique causée par la corrosion de la peinture ou du métal.
11. Tout dommage, toute fente, vérification, fissure ou déformation de la surface en bois après la première année.

Le coût d'une réparation ou d'un remplacement dans le cadre de ces circonstances exclues est à la charge du client.

CLAUSE D'EXONÉRATION DE RESPONSABILITÉ AU TITRE DES GARANTIES IMPLICITES; LIMITATION DES RECOURS

LES GARANTIES IMPLICITES, Y COMPRIS DANS LA MESURE APPLICABLE LES GARANTIES DE QUALITÉ MARCHANDE OU D'APTITUDE À UN USAGE PARTICULIER, SONT EXCLUES DANS LA MESURE AUTORISÉE PAR LA LOI. TOUTE GARANTIE IMPLICITE POUVANT ÊTRE IMPOSÉE PAR LA LOI EST LIMITÉE À UN AN OU À LA PLUS COURTE PÉRIODE AUTORISÉE PAR LA LOI. CERTAINES JURIDICTIONS NE PERMETTENT PAS LA LIMITATION DE LA DURÉE DE VALIDITÉ DES GARANTIES IMPLICITES DE QUALITÉ MARCHANDE OU D'APTITUDE À UN USAGE PARTICULIER; PAR CONSÉQUENT, LES LIMITATIONS OU EXCLUSIONS STIPULÉES DANS LES PRÉSENTES PEUVENT NE PAS ÊTRE APPLICABLES. CETTE GARANTIE VOUS CONFÈRE DES DROITS JURIDIQUES SPÉCIFIQUES ET VOUS POUVEZ ÉGALEMENT JOUIR D'AUTRES DROITS QUI PEUVENT VARIER D'UNE JURIDICTION À UNE AUTRE.

À l'extérieur du Canada et des 50 États des États-Unis, cette garantie ne s'applique pas. Contactez votre marchand autorisé pour déterminer si une autre garantie s'applique.

Si vous avez besoin de service, appelez sans frais le centre eXperience à la clientèle de Gladiator au **1 866 342-4089**, de n'importe où aux É.-U. Au Canada, contactez votre compagnie de dépannage désignée par Whirlpool Canada LP ou composez le **1 800 807-6777**.

Aux États-Unis, Gladiator correspond à Whirlpool Corporation, Benton Harbor, Michigan 49022. Au Canada, Gladiator correspond à Whirlpool Canada LP, Mississauga, ON L5N 3A7.

Conservez ce manuel et le reçu de vente au même endroit pour référence ultérieure. Pour un entretien ou une réparation sous garantie, un document attestant de la date d'achat ou d'installation doit être fourni.

Inscrivez les renseignements suivants au sujet de votre établi modulaire pour mieux vous aider à obtenir assistance ou service en cas de besoin. Vous devrez fournir le numéro de modèle et le numéro de série au complet. Vous trouverez ces renseignements sur la plaque signalétique située à l'arrière du produit.

Nom du marchand _____

Adresse _____

Numéro de téléphone _____

Numéro de modèle _____

Numéros de série _____

Date d'achat _____

SEGURIDAD DE LA MESA DE TRABAJO

Su seguridad y la seguridad de los demás es muy importante.

Hemos incluido muchos mensajes importantes de seguridad en este manual y en su electrodoméstico. Lea y obedezca siempre todos los mensajes de seguridad.



Este es el símbolo de alerta de seguridad.

Este símbolo le llama la atención sobre peligros potenciales que pueden ocasionar la muerte o una lesión a usted y a los demás.

Todos los mensajes de seguridad irán a continuación del símbolo de advertencia de seguridad y de la palabra "PELIGRO" o "ADVERTENCIA". Estas palabras significan:

 **PELIGRO**

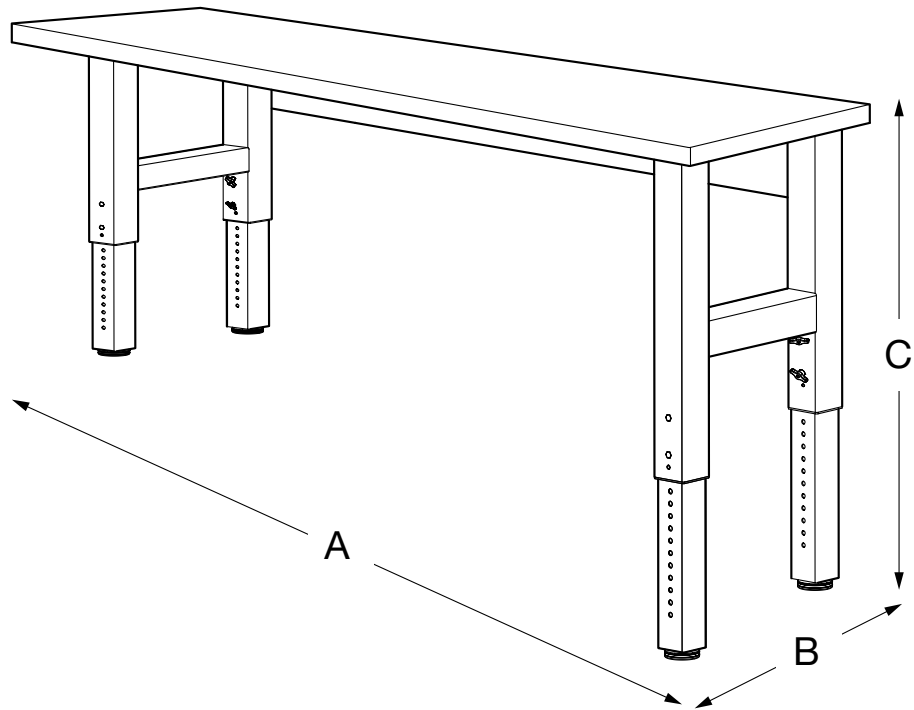
Si no sigue las instrucciones de inmediato, usted puede morir o sufrir una lesión grave.

 **ADVERTENCIA**

Si no sigue las instrucciones, usted puede morir o sufrir una lesión grave.

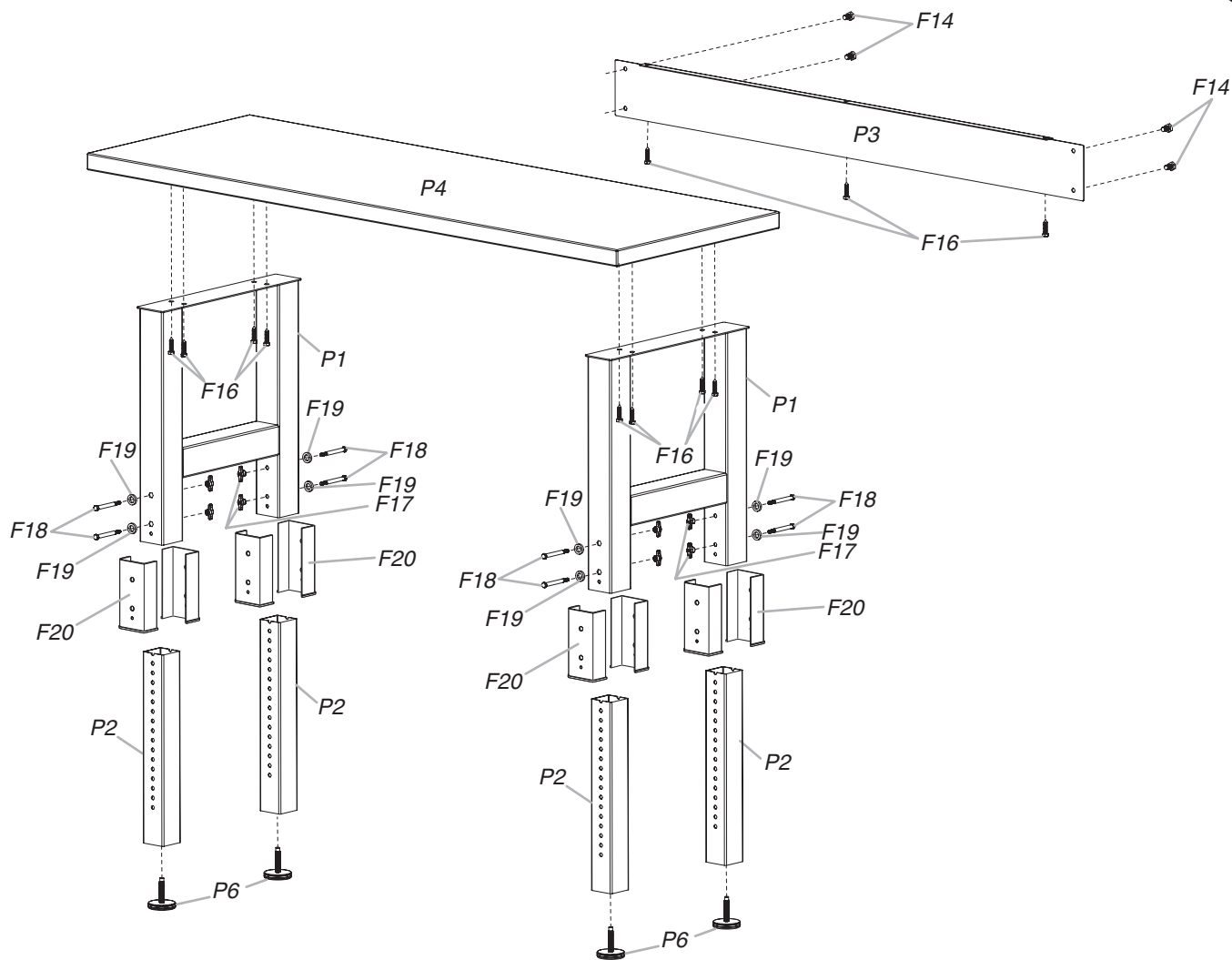
Todos los mensajes de seguridad le dirán el peligro potencial, le dirán cómo reducir las posibilidades de sufrir una lesión y lo que puede suceder si no se siguen las instrucciones.

DIMENSIONES



Modelo	GAWB04HWEG	GAWB06HWEG GAWB06HWGW	GAWB08HWEG GAWB08HWGW
A	48" (122 cm)	72" (183 cm)	96" (244 cm)
B	25" (63,5 cm)	25" (63,5 cm)	25" (63,5 cm)
C	27,5" - 40,8" (69,9 - 103,6 cm)	27,5" - 40,8" (69,9 - 103,6 cm)	27,5" - 40,8" (69,9 - 103,6 cm)

PARTES



P1. Patas externas de la mesa de trabajo

P2. Patas internas de la mesa de trabajo

P3. Panel posterior

P4. Parte superior de la mesa de trabajo

P6. Patas niveladoras de 1/2" (12,7 mm) x 2" (50,8 cm)

F14. Pernos M8 de cabeza hexagonal

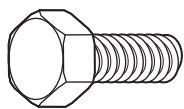
F16. Tornillos de 3/8" (9,5 mm) x 1 1/2" (3,81 cm)

F17. Tuercas mariposa

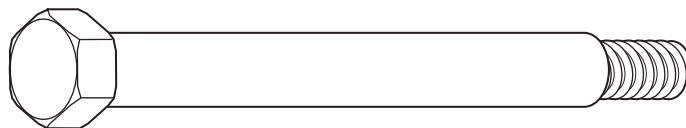
F18. Pernos de cabeza hexagonal de 5/16" (8 mm)

F19. Arandela de 8 mm de DI x 12,5 mm de DE x 3 mm de ESPESOR

F20. Casquillo



F14



F18



F19

INSTRUCCIONES DE ENSAMBLAJE

Herramientas y piezas

Reúna las herramientas y las piezas necesarias antes de comenzar la instalación.

Herramientas necesarias

- Llave de tubo de 9/16" ■ Llave regulable

Piezas suministradas

Mesa de trabajo de 4 ft (121,9 cm), 6 ft (182,9 cm) y 8 ft (243,9 cm)

- Patas externas de la mesa de trabajo (2 juegos soldados)
- Patas internas de la mesa de trabajo (4)
- Panel posterior de la mesa de trabajo
- Parte superior de la mesa de trabajo
- Patas niveladoras de 1/2" (12,7 mm) (4)
- Pernos M8 de cabeza hexagonal (5)
- Tornillos de 3/8" (9,5 mm) x 1 1/2" (3,81 cm) (15)
- Tuercas mariposa (8)
- Pernos de cabeza hexagonal de 5/16" (8 mm) (8)
- Arandelas de 8 mm de DI x 12,5 mm de DE x 3 mm de ESPESOR (8)
- Casquillos (8)
- Llave de 5 mm (1)

Requisitos para el uso de la mesa de trabajo

⚠ ADVERTENCIA

Peligro de Peso Excesivo

Use dos o más personas para mover y ensamblar la mesa de trabajo.

No seguir esta instrucción puede ocasionar una lesión en la espalda u otro tipo de lesiones.

- Diseñada para usarse en un garaje.
- El límite de peso máximo es de 3000 lb (1360 kg).
- Si se agregan ruedas a esta mesa de trabajo podría haber riesgo de que se vuelque.

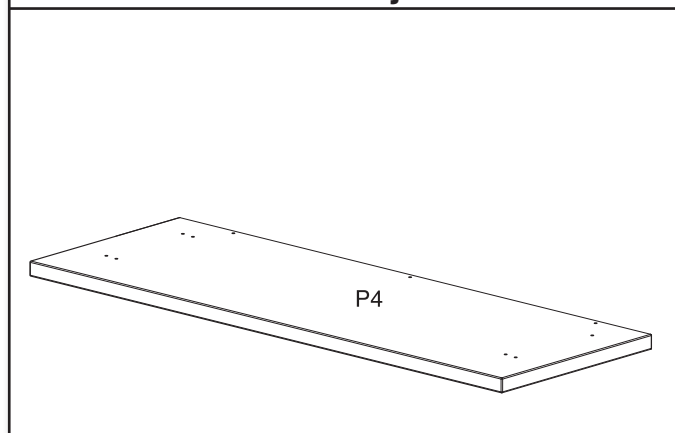
Desempaque la mesa de trabajo

1. Desempaque las patas y los herrajes de la caja. Verifique el contenido. Consulte la sección "Piezas suministradas".
NOTA: Las patas de la mesa de trabajo vienen completamente ensambladas.
2. Quite el panel trasero y póngalo a un lado.
NOTA: Deje la parte superior de la mesa de trabajo encima del cartón durante el ensamblaje.
3. Retire las esquinas de la parte superior de la mesa de trabajo. Los orificios para los tornillos deben estar a la vista. Inspeccione la mesa de trabajo antes de ensamblarla.
4. Deseche/recicle todo el material de embalaje.

Instale las patas y el panel trasero

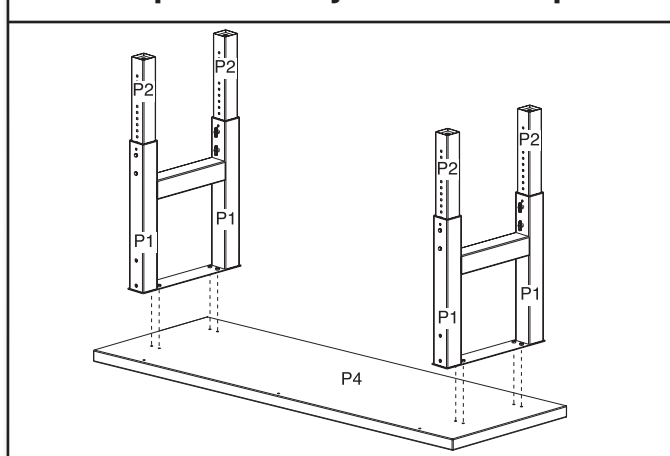
NOTA: Ensamble y ajuste esta mesa de trabajo en posición invertida, de acuerdo con las ilustraciones siguientes. Cerciórese de que la parte superior de la mesa de trabajo esté plana sobre el piso y que las patas estén en el aire. Para proteger la parte superior de la mesa de trabajo durante en ensamblaje, se recomienda colocar la parte superior de madera invertida sobre el cartón que se provee en el empaque.

1. Prepare la parte superior de la mesa de trabajo



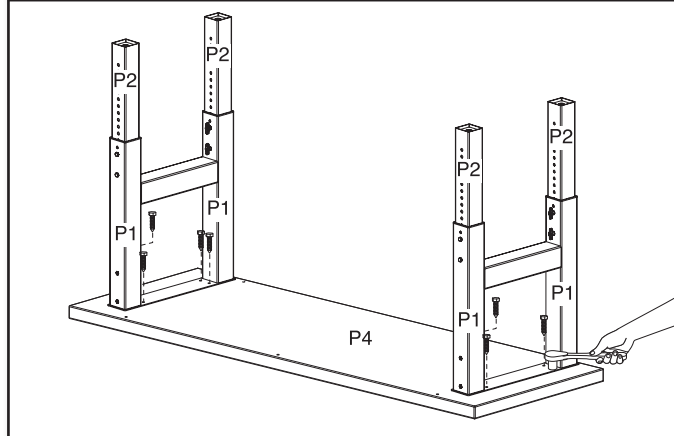
Apoye la parte superior de la mesa de trabajo (P4) invertida sobre una superficie limpia para dejar expuestos los orificios destinados a los juegos de los conjuntos de las patas.

2. Coloque los conjuntos de las patas



Coloque cada conjunto de patas externas (P1) sobre la cara inferior de la mesa de trabajo. Alinee los orificios de los juegos de los conjuntos de las patas externas con los orificios que hay en la parte inferior de la parte superior de la mesa de trabajo (P4). En cada extremo de conjunto de pata externa hay dos orificios que deben quedar enfrentados a los tres orificios de la parte posterior de la parte superior de madera para la instalación del panel posterior.

3. Instale los conjuntos de las patas

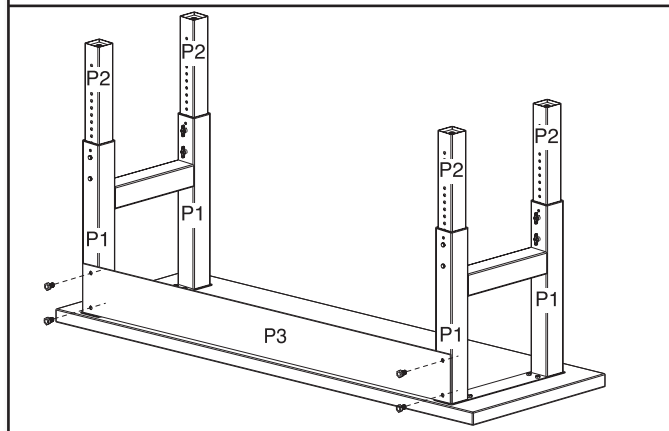


Fije los conjuntos de las patas (P1) a la parte superior de la mesa de trabajo (P4) con ocho de los tornillos de 3/8" (9,5 mm) x 1 1/2" (3,81 cm) (F16). Cerciérese de que los tornillos estén insertados derechos dentro de los orificios. Instale los tornillos de forma aflojada con una llave de tubo de 9/16". No apriete los tornillos por completo.

NOTAS:

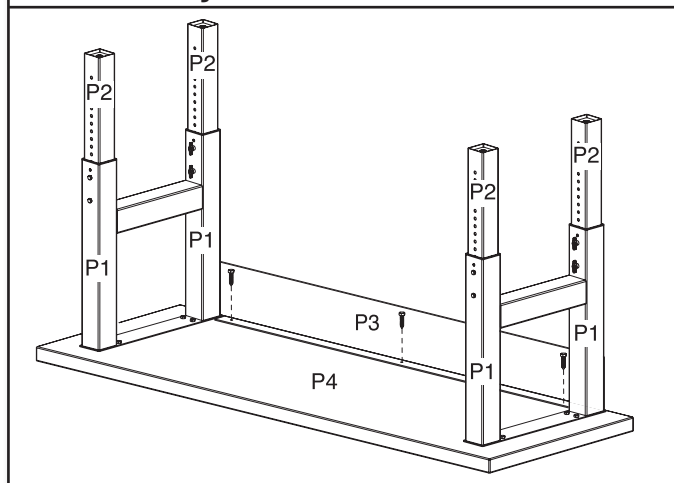
- Si los tornillos se aprietan en ángulo, se les puede provocar demasiada tensión y es posible que se quiebren.
- Los orificios en las patas son ovalados para permitir lugar para ajustes menores mientras se ensambla la mesa de trabajo.

4. Fije el panel posterior a los conjuntos de las patas



Use una llave de 5 mm para fijar el panel posterior (P3) a los conjuntos de las patas (P1) con los cuatro pernos M8 de cabeza hexagonal que se suministran (F14). No apriete los pernos por completo.

5. Instale el panel posterior en la mesa de trabajo



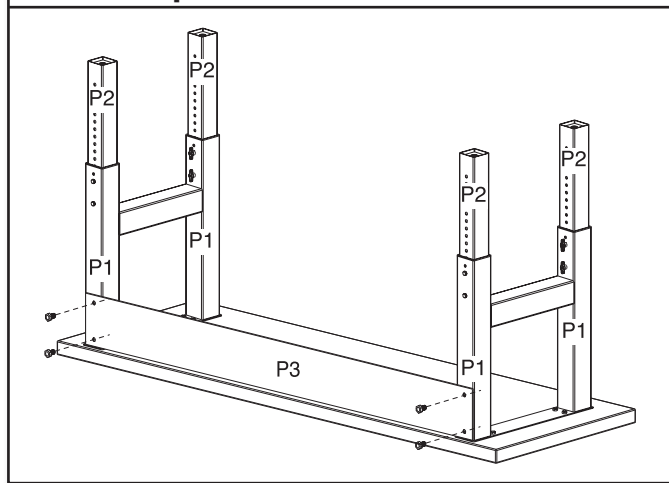
Fije el panel posterior (P3) a la parte superior de la mesa de trabajo (P4) con los tornillos restantes*. Cerciérese de que los tornillos estén insertados derechos dentro de los orificios. Apriete los tornillos con una llave de tubo de 9/16".

NOTA: Si los tornillos (F16) se aprietan en ángulo, se les puede provocar demasiada tensión y es posible que se quiebren.

*NOTA:

Para una mesa de trabajo de 4', use dos tornillos (F16).
Para una mesa de trabajo de 6', use tres tornillos (F16).
Para una mesa de trabajo de 8', use seis tornillos (F16).

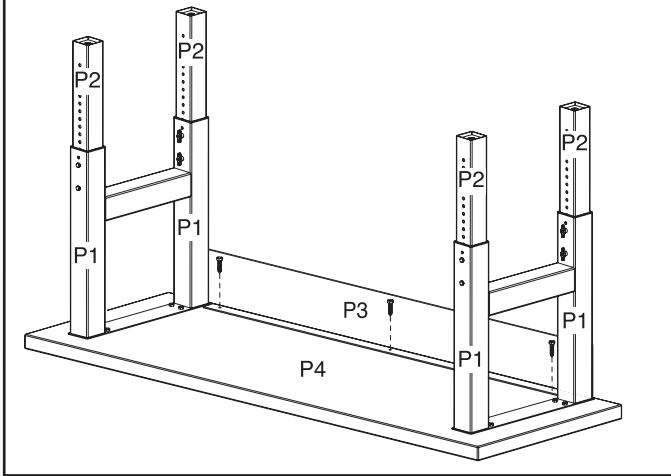
6. Apriete los pernos de los conjuntos de las patas



Con una llave de tuercas de 5 mm, apriete los pernos para sujetar el panel posterior (P3) a los conjuntos de las patas externas (P1) por completo.

NOTA: No apriete en exceso los pernos y los tornillos.

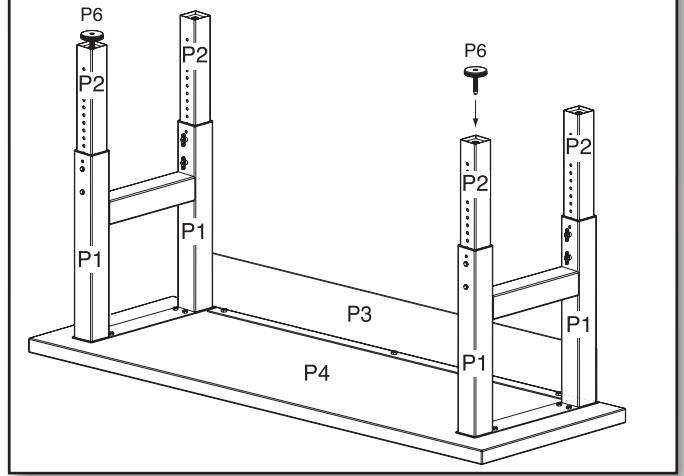
7. Apriete los pernos y los tornillos



Apriete todos los tornillos y los pernos restantes.

NOTA: No apriete en exceso los pernos y los tornillos.

8. Instale las patas niveladoras



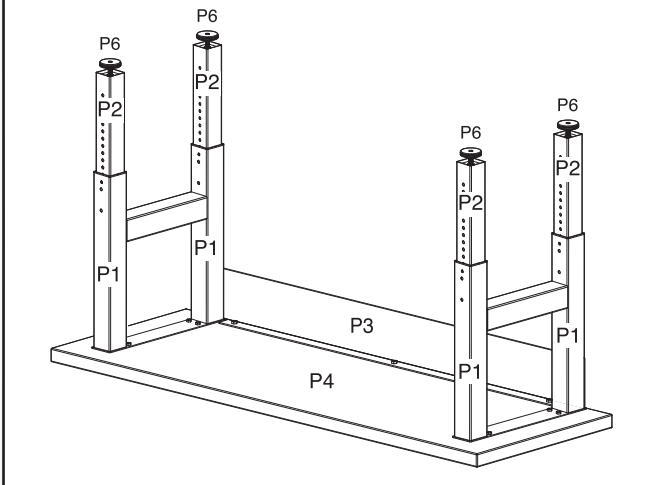
Si todavía no se instalaron, enrosque las cuatro patas niveladoras (P6). Las patas niveladoras tienen un lado plano diseñado para usar una llave regulable, si es necesario.

IMPORTANTE: Para instalar las patas niveladoras, gire en sentido horario un mínimo de 1 ½" (3,8 cm), o 12 vueltas completas. Se pueden regular otros ¼" (6 mm) hacia abajo de esta posición o hasta que la pata niveladora no pueda girarse más contra la base de la pata interna (P2).

Regulación de la altura de las patas internas

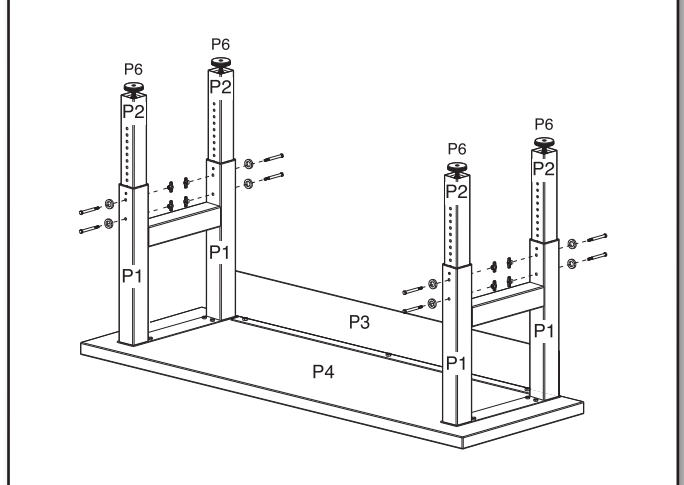
NOTA: Regule esta mesa de trabajo en posición invertida, de acuerdo con las ilustraciones. Cerciérese de que la parte superior de la mesa de trabajo esté plana sobre el piso y que las patas estén en el aire.

1. Alinee los orificios de regulación



Antes de colocar la mesa de trabajo en posición vertical, verifique que haya el mismo número de orificios de ajuste visibles, con no más de 11 orificios expuestos en cada pata, para asegurarse de que la mesa de trabajo quedará nivelada. Alinee los orificios de regulación en la pata interna (P2) con los orificios de regulación en el conjunto de la pata externa (P1) a la altura deseada de la mesa de trabajo.

2. Instale los conjuntos de las patas



Inserte un perno de cabeza hexagonal de 5/16" (8 mm) (F18) y una arandela (F19); asegure con una tuerca mariposa (F17). Cerciérese de que el perno de cabeza hexagonal quede alineado con el orificio de regulación de forma hexagonal. Repita el procedimiento para cada pata.

NOTA: Para reducir al mínimo el número de veces que se regula durante el ensamblaje, cerciérese de que los orificios de regulación estén alineados a la misma altura deseada para todas las patas.

Complete el ensamblaje

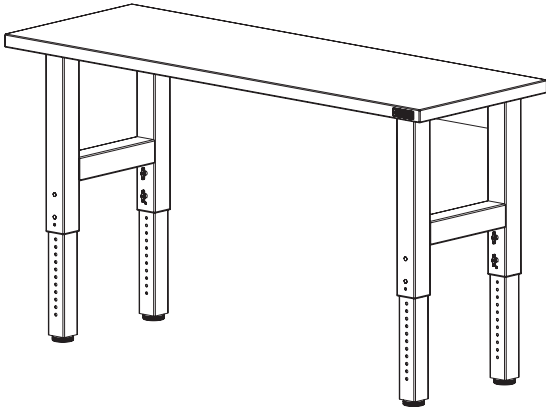
⚠ ADVERTENCIA

Peligro de Peso Excesivo

Use dos o más personas para mover y ensamblar la mesa de trabajo.

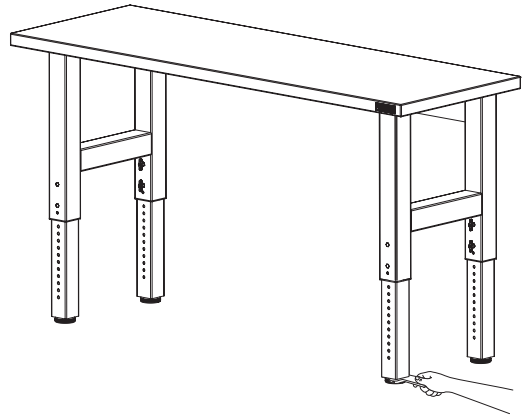
No seguir esta instrucción puede ocasionar una lesión en la espalda u otro tipo de lesiones.

1. Coloque la mesa de trabajo en posición vertical



Entre 2 o más personas, coloquen la mesa de trabajo en posición vertical en su lugar definitivo.

2. Regule las patas niveladoras



Regule las patas niveladoras según sea necesario.

IMPORTANTE: Cuando se ajustan las patas niveladoras, asegúrese de que estén instaladas al menos a 1½" (3,8 cm) o 12 vueltas completas en las patas.

Cuidado de la Mesa de trabajo

1. Lave la mesa de trabajo con un detergente suave y agua tibia. No deje el agua sobre la mesa de trabajo durante algún tiempo.
2. Enjuáguela por completo y séquela minuciosamente.

Cómo registrar el producto

Registrar el producto ofrece muchos beneficios. Obtenga más información y registre el producto en línea en www.gladiatorgarageworks.com. Los consumidores en Canadá pueden llamar al 1-800-807-6777.

GARANTÍA DE MESA DE TRABAJO GLADIATOR®

ADJUNTE SU RECIBO AQUÍ. SE REQUIERE UN COMPROBANTE DE COMPRA PARA OBTENER SERVICIO BAJO LA GARANTÍA.

Tenga disponible la siguiente información cuando llame al Centro para la eXperiencia del cliente:

- Nombre, dirección y número de teléfono
- Número de modelo y de serie
- Una descripción clara y detallada de problema
- Comprobante de compra que incluya nombre y dirección del distribuidor o minorista

SI NECESITA SERVICIO:

1. Antes de contactarnos para organizar la visita del servicio técnico, determine si su producto requiere reparación. Algunas cuestiones pueden resolverse sin servicio técnico. Tómese unos minutos para revisar las instrucciones o visite www.gladiatorgarageworks.com.
2. Todo servicio de garantía es proporcionado exclusivamente por nuestros Proveedores de Servicio Técnico autorizado de Gladiator. En EE. UU. y Canadá, dirija todas las solicitudes de servicio técnico dentro de la garantía a:

Centro para la eXperiencia del cliente de Gladiator

En los EE. UU., llame al 1-866-342-4089. En Canadá, llame al 1-800-807-6777.

Si usted se encuentra fuera de los 50 estados de Estados Unidos o de Canadá, póngase en contacto con su distribuidor autorizado de Gladiator para determinar si corresponde otra garantía.

GARANTÍA LIMITADA DE UN AÑO

QUÉ ESTÁ CUBIERTO

GARANTÍA LIMITADA POR UN AÑO DE LA PARTE SUPERIOR DE MADERA

Durante un año a partir de la fecha de compra, siempre y cuando se dé al producto un uso y mantenimiento de conformidad con las instrucciones adjuntas o provistas con el producto, Gladiator reemplazará o reparará el producto defectuoso o las piezas para corregir defectos en los materiales o en la mano de obra.

GARANTÍA DE POR VIDA LIMITADA DE LAS SECCIONES DE METAL DE LA MESA DE TRABAJO

Durante la vida útil del producto, cuando la Mesa de trabajo se utiliza y mantiene de conformidad con las instrucciones adjuntas o provistas con el producto, Gladiator reemplazará o reparará el producto defectuoso o las piezas para corregir defectos en los materiales o en la mano de obra.

QUÉ NO ESTÁ CUBIERTO

1. Las visitas de servicio técnico para corregir la instalación de cualquier producto Gladiator o para darle instrucciones sobre el modo de usarlo o instalarlo.
2. Daños causados por mal manejo o envío de productos, productos dañados por accidente, uso indebido, abuso, incendio, inundación, instalación incorrecta, actos fortuitos, negligencia, corrosión, modificación o maltrato.
3. Costo de envío o flete para entregar productos de repuesto o para devolver productos defectuosos.
4. Reparaciones o reemplazo cuando su producto ha sido empleado para fines ajenos al uso doméstico normal de una familia tal como uso en un lugar comercial o se haya tratado de alguna manera en contra de las instrucciones de instalación incluidas con el producto.
5. Daños estéticos incluyendo rayaduras, golpes, abolladuras o rajaduras que no afecten la capacidad estructural o de funcionamiento del producto.
6. Piezas o productos de repuesto para los productos Gladiator que se empleen fuera de los Estados Unidos y Canadá.
7. En Canadá, gastos de viaje o de transporte para clientes que residen en áreas remotas.
8. Cualquier gasto de mano de obra durante el período de la garantía limitada.
9. Los daños resultantes de una carga inadecuada superior a la capacidad del peso máximo especificado indicado en las instrucciones de ensamblaje proporcionadas con el producto.
10. Superficies dañadas debido a la interacción química dando como resultado la corrosión de pintura o metal.
11. Todo daño, fisura, raya, quebradura o combadura de la superficie de madera después del primer año de garantía.

El costo de la reparación o el reemplazo bajo estas circunstancias excluidas correrá por cuenta del cliente.

EXCLUSIÓN DE GARANTÍAS IMPLÍCITAS; LIMITACIÓN DE RECURSOS

LAS GARANTÍAS IMPLÍCITAS, INCLUIDAS EN LA MEDIDA QUE CORRESPONDA LAS GARANTÍAS DE COMERCIABILIDAD O DE IDONEIDAD PARA UN PROPÓSITO PARTICULAR, QUEDAN EXCLUIDAS EN LA MEDIDA EN QUE ESTÉ PERMITIDO POR LEY. TODA GARANTÍA IMPLÍCITA QUE SEA IMPUESTA POR LEY SERÁ LIMITADA A UN AÑO O AL PERÍODO MÁS CORTO PERMITIDO POR LEY. ALGUNOS ESTADOS Y PROVINCIAS NO PERMITEN LAS LIMITACIONES O EXCLUSIONES ACERCA DE CUÁNTO DEBE DURAR UNA GARANTÍA IMPLÍCITA DE COMERCIABILIDAD O DE IDONEIDAD, DE MODO QUE LAS LIMITACIONES O EXCLUSIONES ARRIBA MENCIONADAS PUEDEN NO APLICARSE EN SU CASO. ESTA GARANTÍA LE OTORGA DERECHOS LEGALES ESPECÍFICOS Y ES POSIBLE QUE USTED TENGA TAMBIÉN OTROS DERECHOS QUE PUEDEN VARIAR DE UN ESTADO A OTRO O DE UNA PROVINCIA A OTRA.

Esta garantía no tiene vigor fuera de los cincuenta estados de los Estados Unidos y Canadá. Póngase en contacto con su distribuidor autorizado Gladiator para determinar si corresponde otra garantía.

Si necesita servicio llame al Centro de atención al cliente de eXperiencia del cliente de Gladiator, al **1-866-342-4089** ((gratuito) desde cualquier lugar de los EE.UU. En Canadá, póngase en contacto con su compañía de servicio designada de Whirlpool Canada LP o llame al **1-800-807-6777**.

En los Estados Unidos, Gladiator significa Whirlpool Corporation, Benton Harbor, Michigan 49022. En Canadá, Gladiator significa Whirlpool Canada LP, Mississauga, ON L5N 3A7.

Guarde este libro y su comprobante de compra juntos para referencia futura. Deberá proporcionar el comprobante de la compra o la fecha de instalación para obtener servicio técnico bajo la garantía.

Escriba la siguiente información acerca de su mesa de trabajo para ayudarle mejor a obtener asistencia o servicio técnico si alguna vez llegara a necesitarlo. Deberá tener a mano el número completo del modelo y la serie. Usted puede encontrar esta información en la etiqueta con el número de modelo y serie que está ubicada en la parte posterior del producto.

Nombre del distribuidor _____

Dirección _____

Número de teléfono _____

Número de modelo _____

Número de serie _____

Fecha de compra _____

