

ASSEMBLY INSTRUCTIONS
COASTER FINE FURNITURE



Fine Furniture for every stage of life

980075
BOOKCASE

ITEM:980075



ASSEMBLY INSTRUCTIONS

ASSEMBLY TIPS:

1. Remove hardware from box and sort by size.
2. Please check to see that all hardware and parts are present prior to start of assembly.
3. Please follow attached instructions in the same sequence as numbered to assure fast & easy assembly.



WARNING!

1. Don't attempt to repair or modify parts that are broken or defective. Please contact the store immediately.
2. This product is for home use only and not intended for commercial establishments.



ASSEMBLY TIME

60 MINUTES

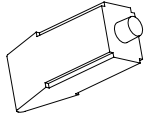
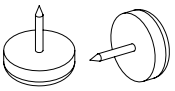
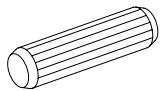
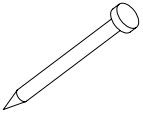
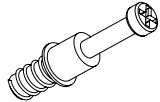
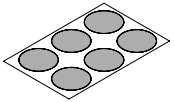
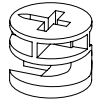
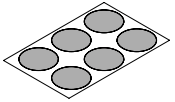
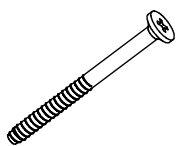
PARTS IDENTIFICATION

A	LEFT SIDE PANEL		1 PC	H	LEFT CROSS PANEL		1 PC
B	RIGHT SIDE PANEL		1 PC	I	SMALL CROSS PANEL		2 PCS
C	SMALL DIVIDER PANEL		2 PCS	J	MIDDLE CROSS PANEL		1 PC
D	LOWER DIVIDER PANEL		1 PC	K	RIGHT CROSS PANEL		1 PC
E	UPPER DIVIDER PANEL		1 PC	L	TOP PANEL		1 PC
F	LEG		2 PCS	M	FRONT TOP BAR		2 PCS
G	BOTTOM PANEL		1 PC	N	BACK PANEL		1 PC

NOTE:

Phillips head screw driver is required in the assembly process; however, manufacturer does not provide this item.

HARDWARE IDENTIFICATION

Z							
NO	DESCRIPTION	FIGURE	Q'TY	NO	DESCRIPTION	FIGURE	Q'TY
1	GLUE 40g		1 PC	6	PLASTIC FEET Ø15m		4 PCS
2	WOODEN DOWEL Ø8x30mm		52 PCS	7	NAIL - 3/4" SR		34 PCS
3	CAM BOLT Ø7x35.5mm SR		32 PCS	8	STICKER - WHITE Ø20mm		5 PCS
4	CAM LOCK Ø15x12mm SR		32 PCS	9	STICKER Ø20mm		1 PC
5	BOLT Ø9.5x55mm SR		12 PCS				

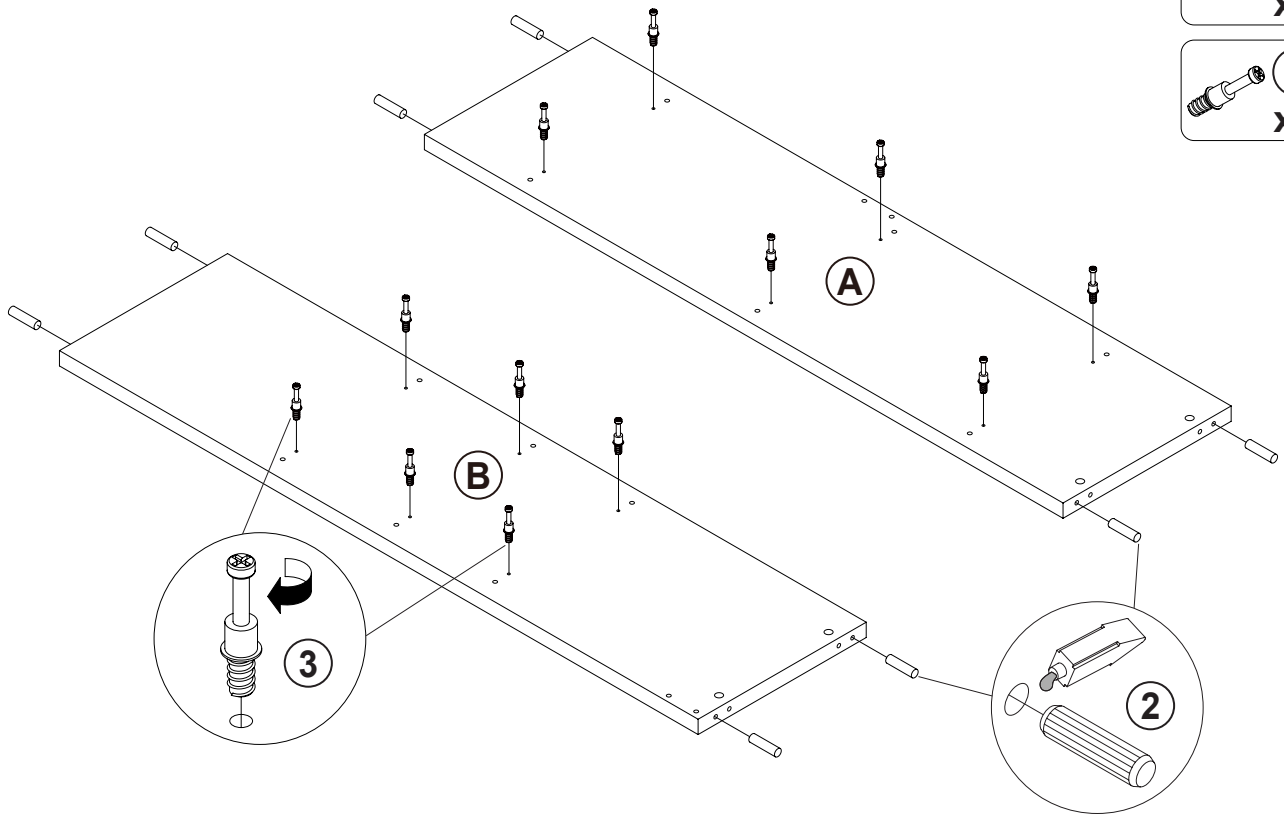
NOTE:

Phillips head screw driver is required in the assembly process; however, manufacturer does not provide this item.

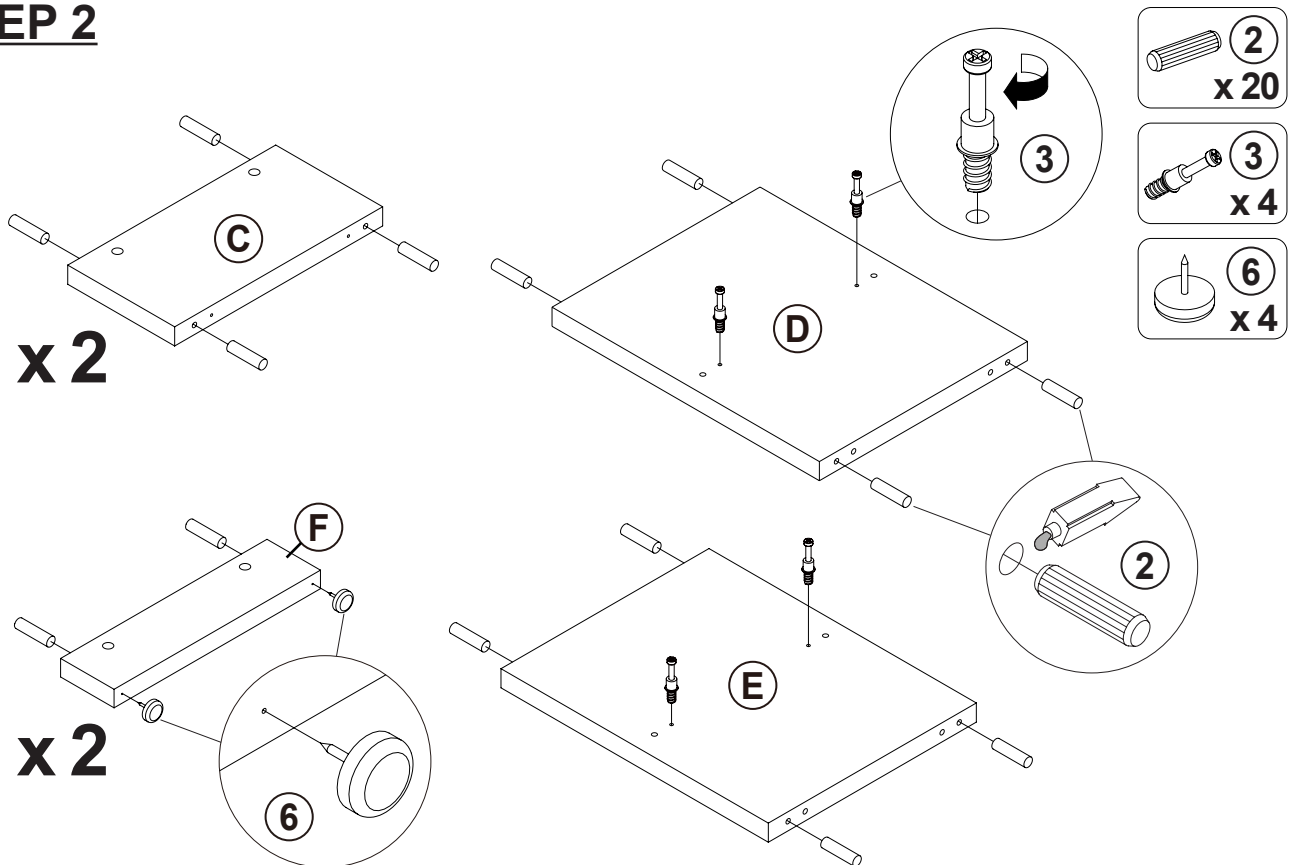
ITEM: 980075

COASTER
FINE FURNITURE

STEP 1



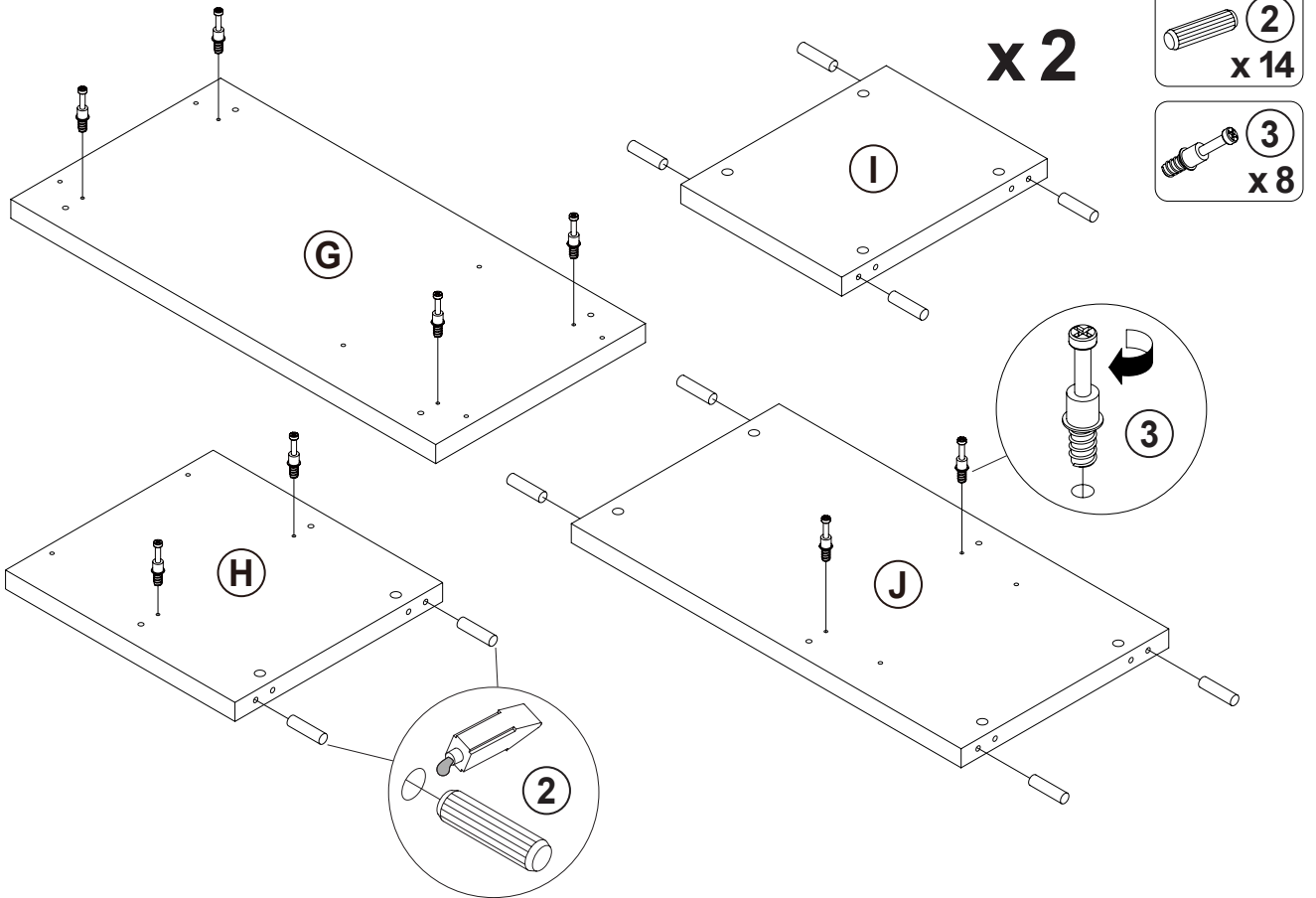
STEP 2



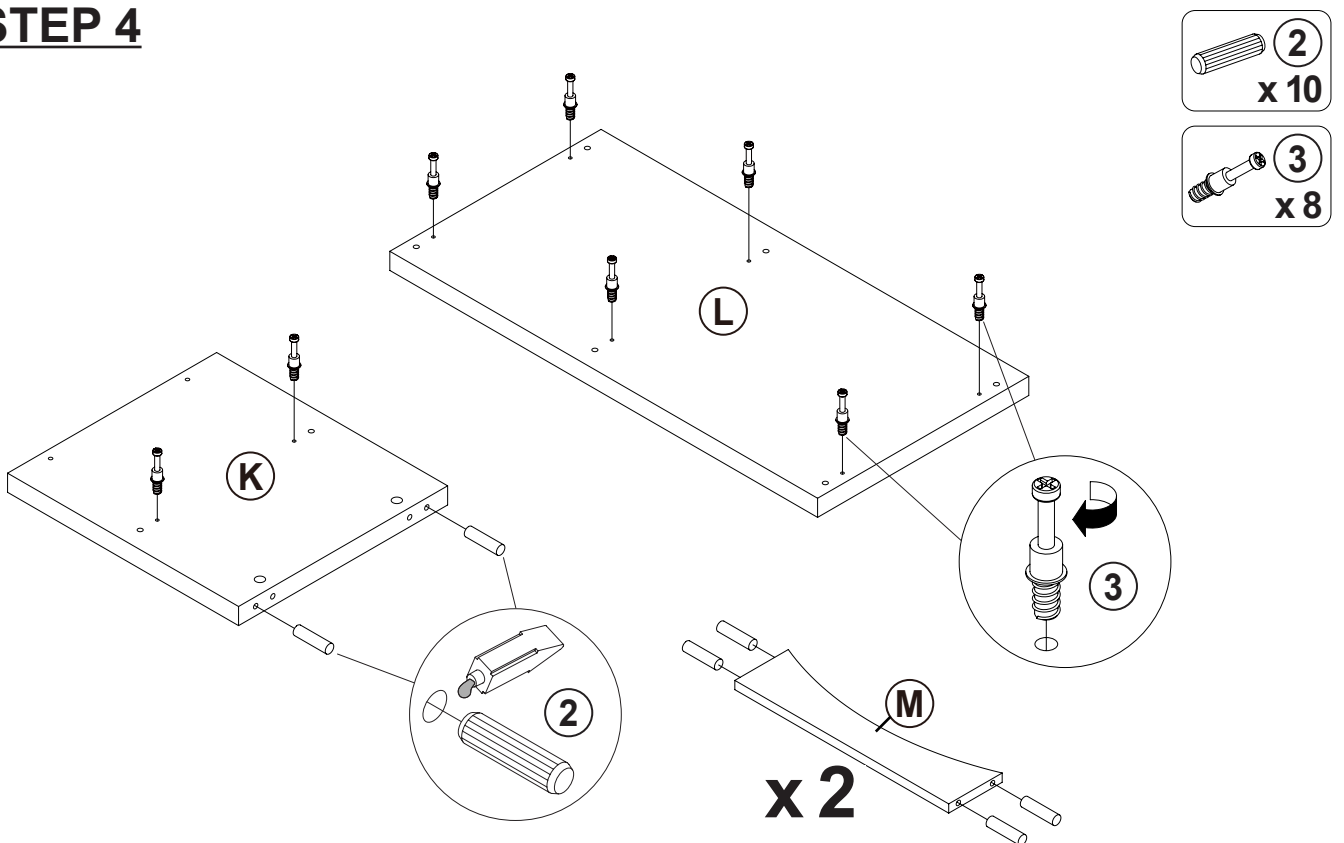
ITEM: 980075

COASTER
FINE FURNITURE

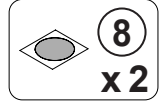
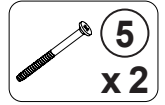
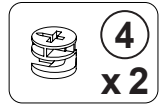
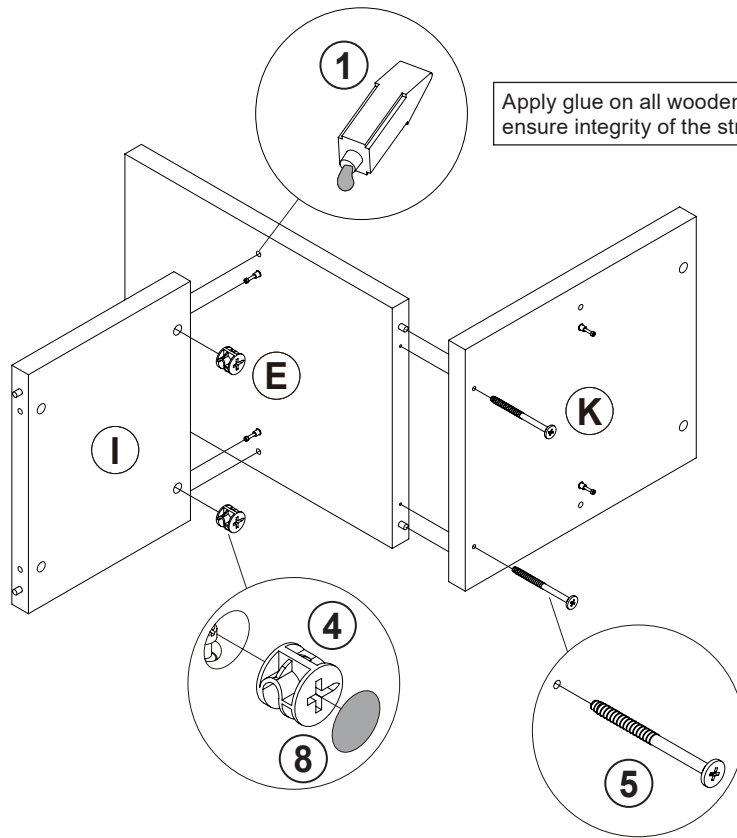
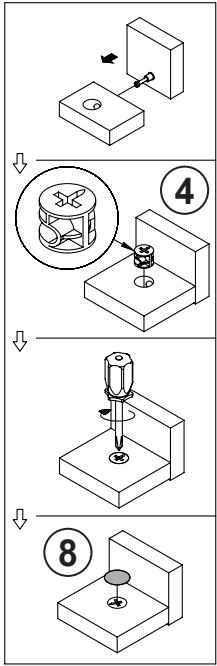
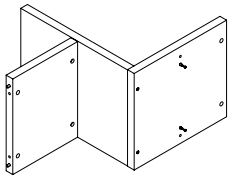
STEP 3



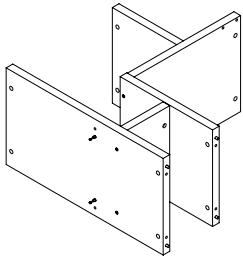
STEP 4



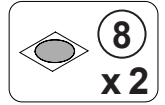
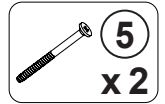
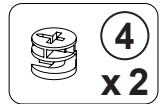
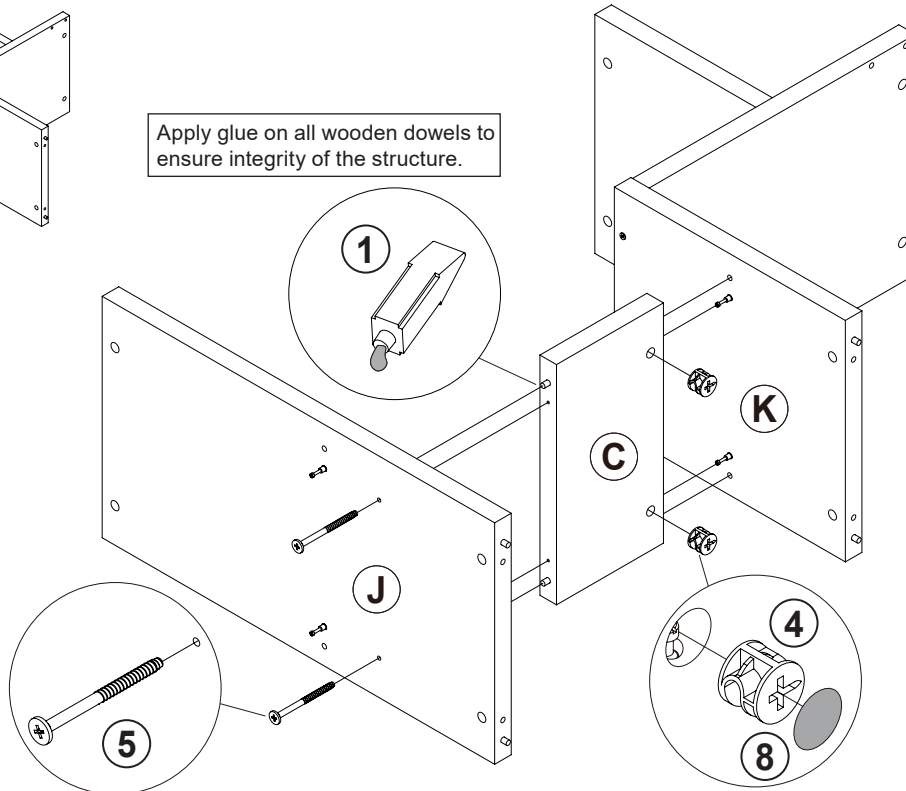
STEP 5



STEP 6



Apply glue on all wooden dowels to ensure integrity of the structure.

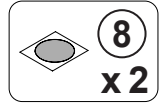
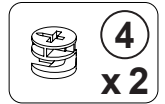
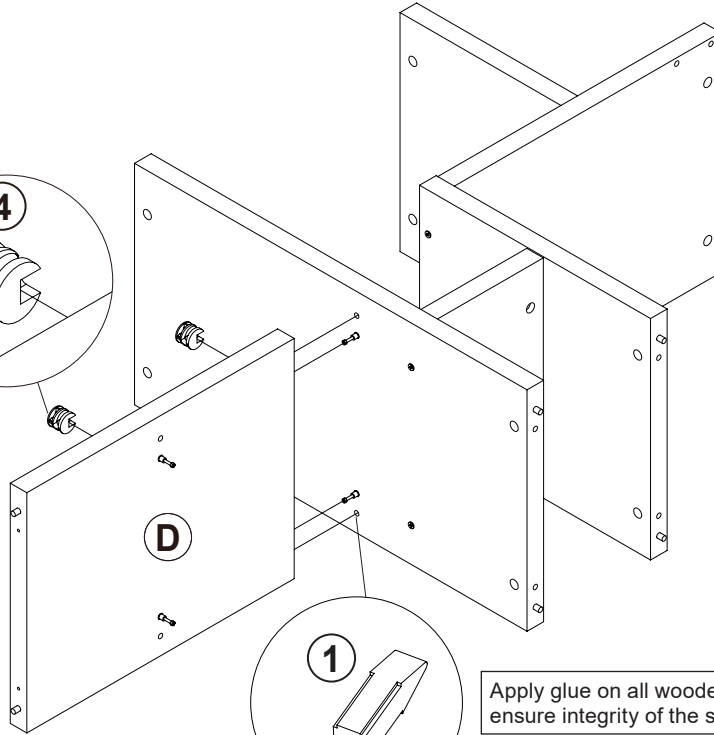
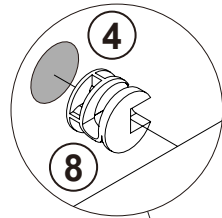
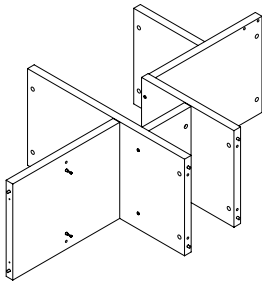


ITEM: 980075

COASTER[®]

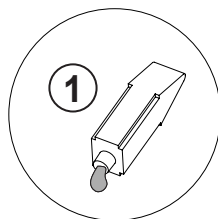
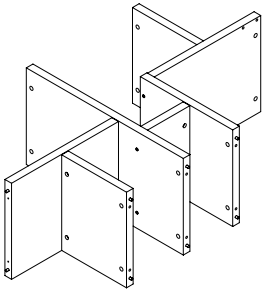
FINE FURNITURE

STEP 7

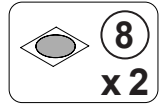
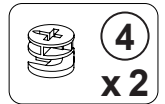
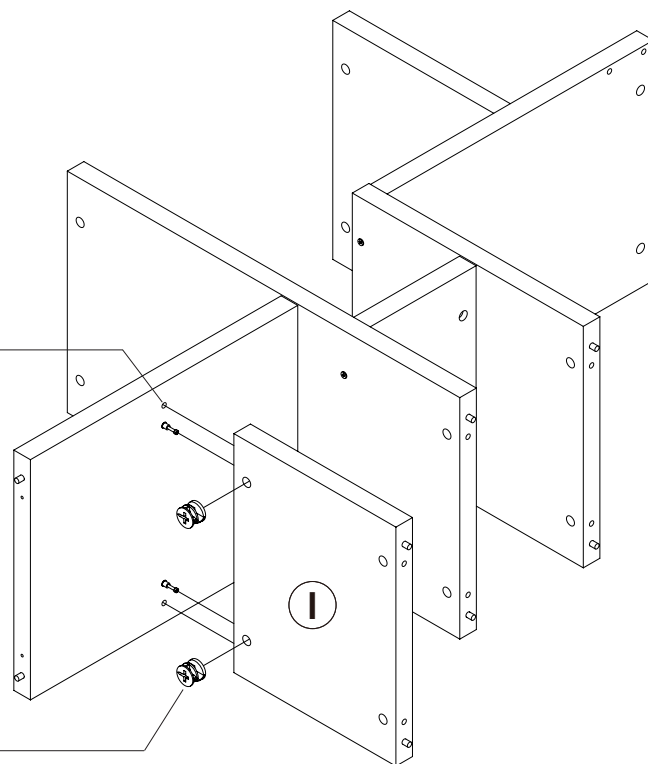
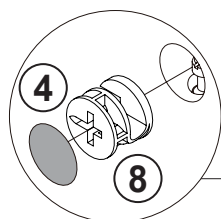


Apply glue on all wooden dowels to ensure integrity of the structure.

STEP 8



Apply glue on all wooden dowels to ensure integrity of the structure.

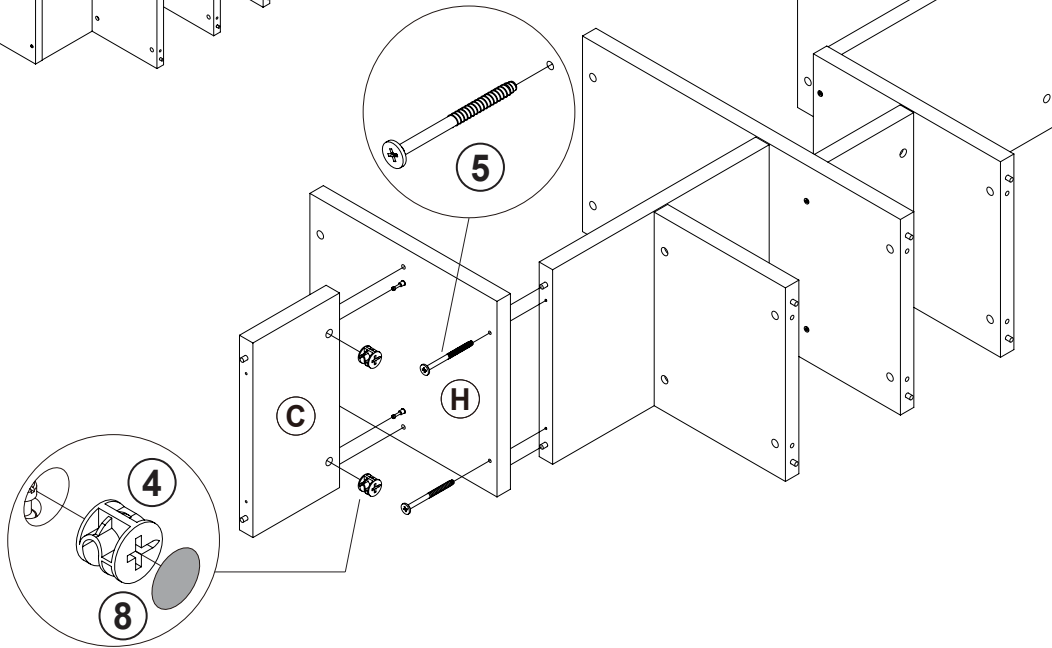
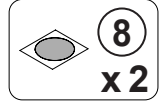
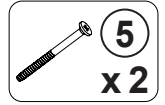
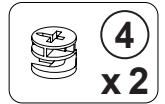
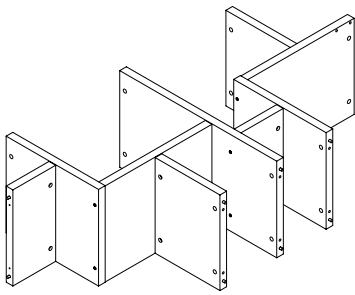


ITEM: **980075**

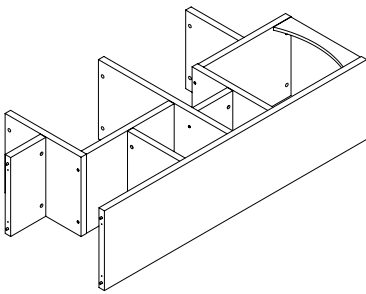
COASTER[®]

FINE FURNITURE

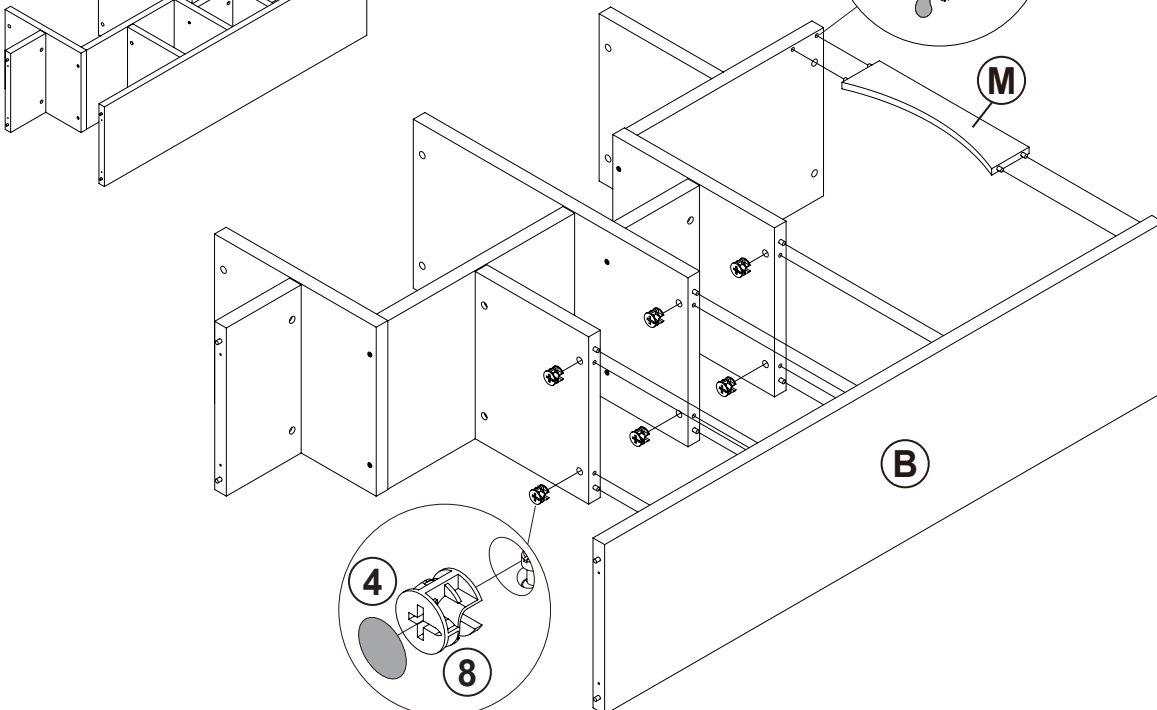
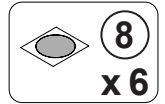
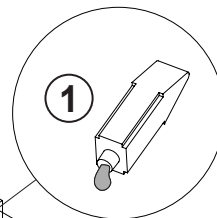
STEP 9



STEP 10



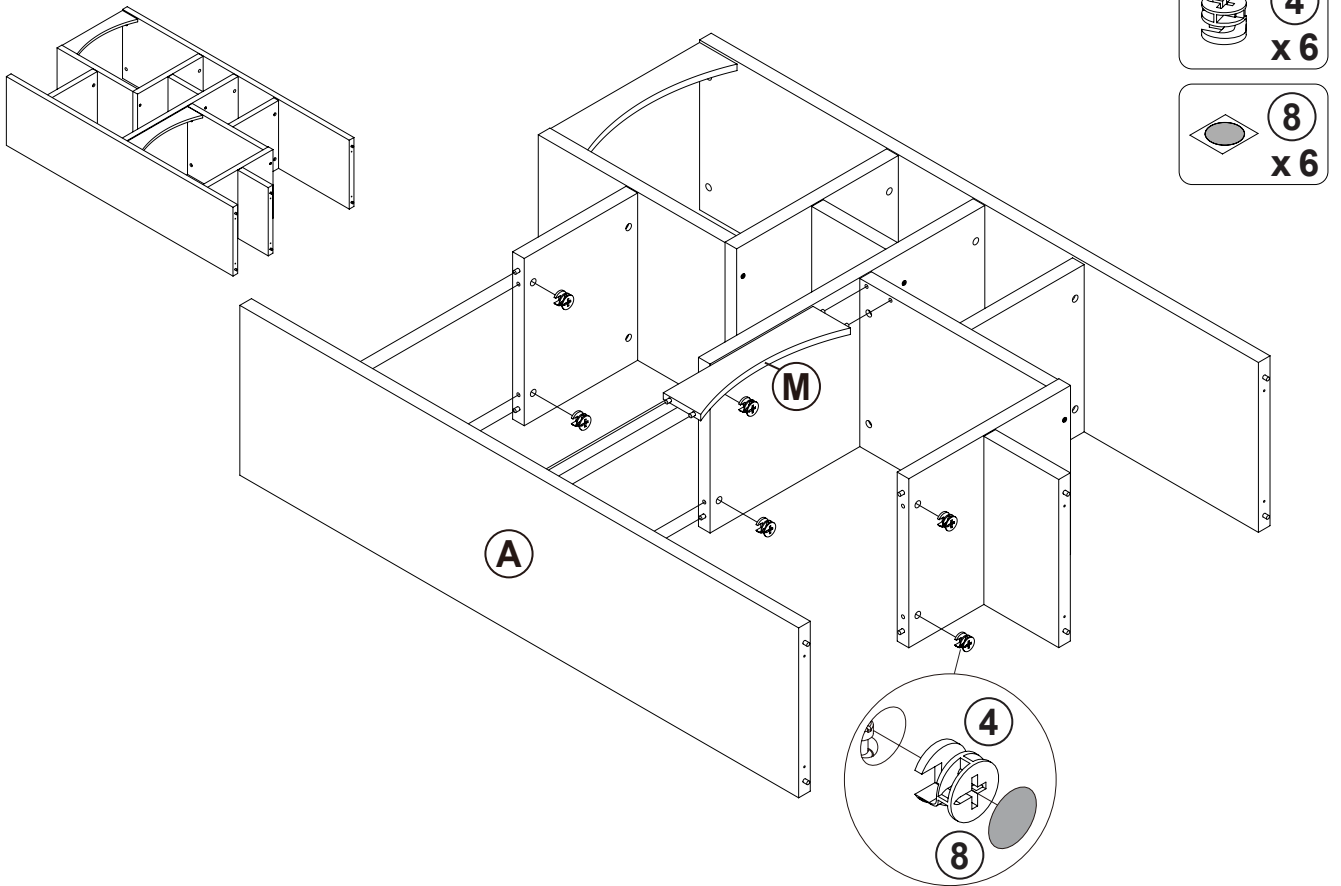
Apply glue on all wooden dowels to ensure integrity of the structure.



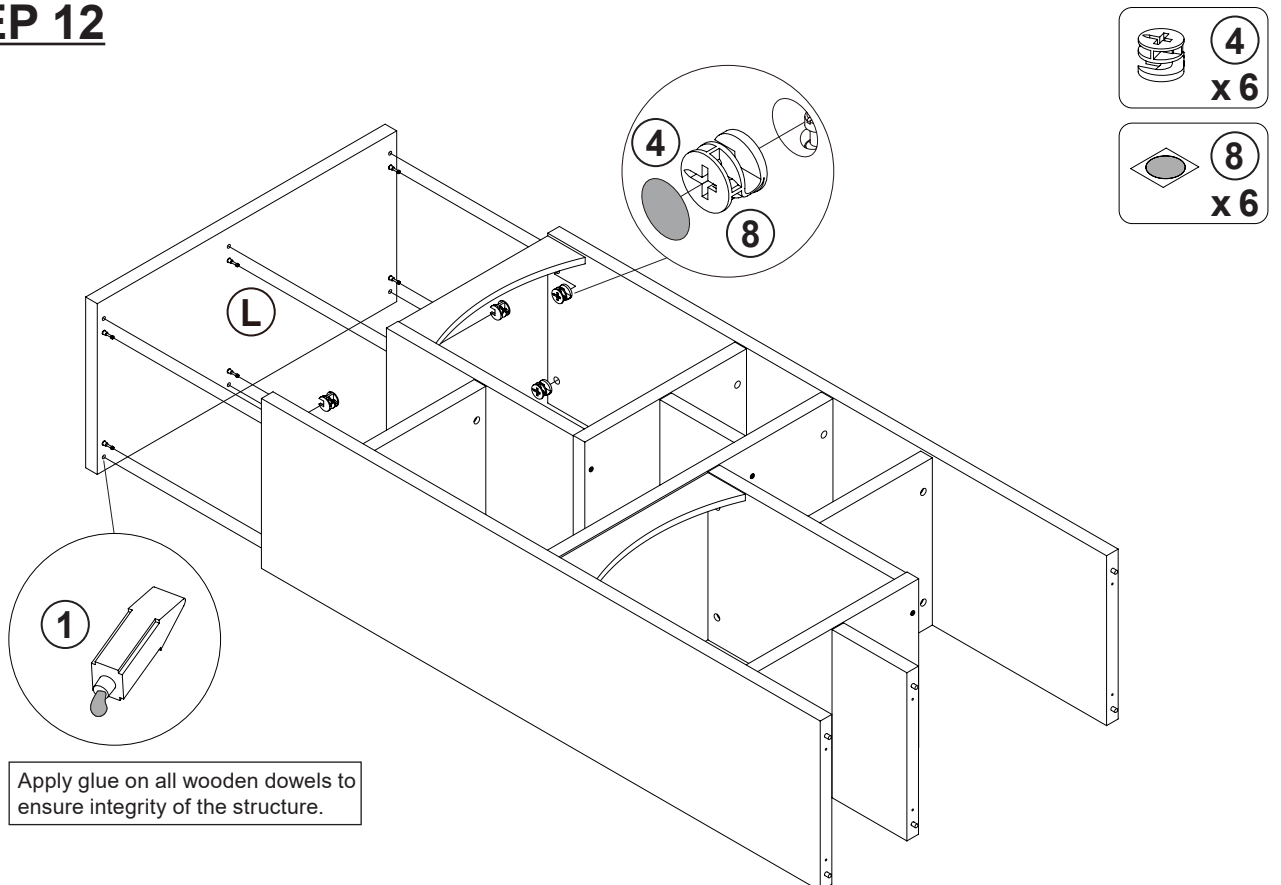
ITEM: 980075

COASTER
FINE FURNITURE

STEP 11



STEP 12



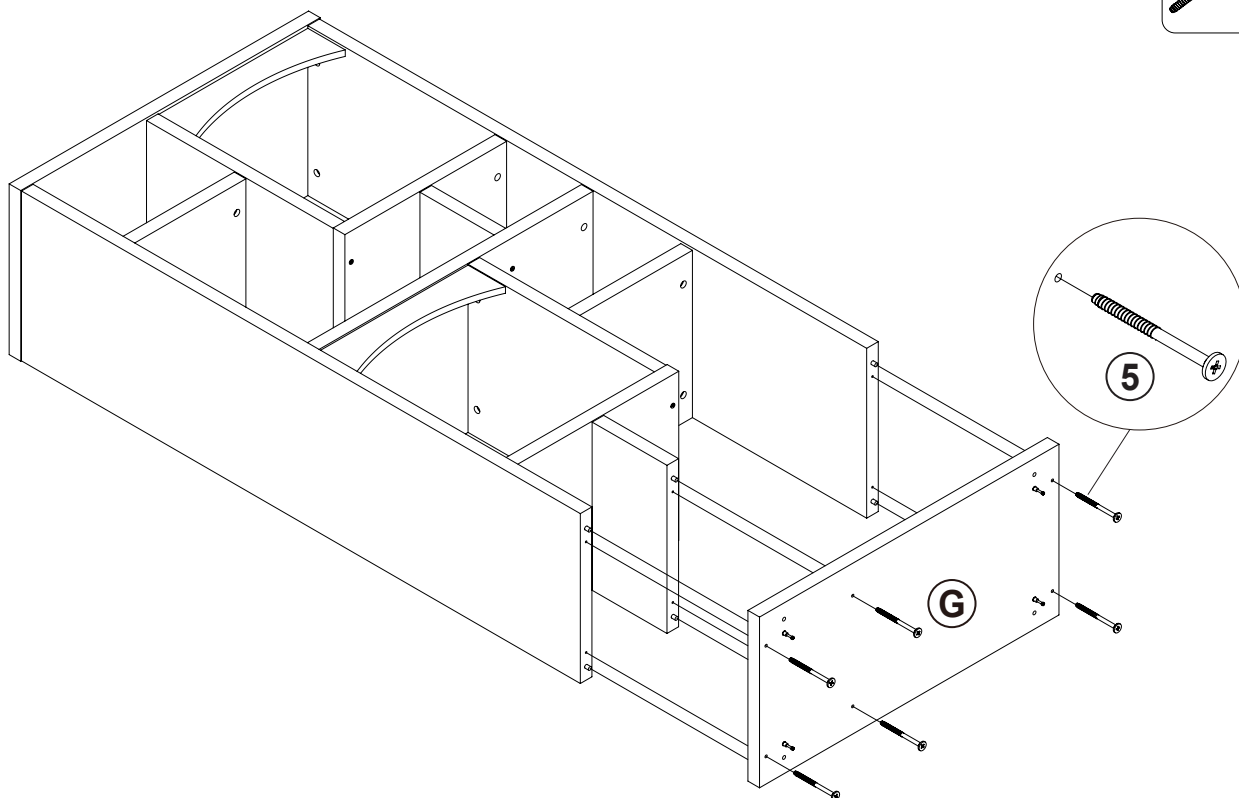
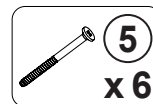
Apply glue on all wooden dowels to ensure integrity of the structure.

ITEM: **980075**

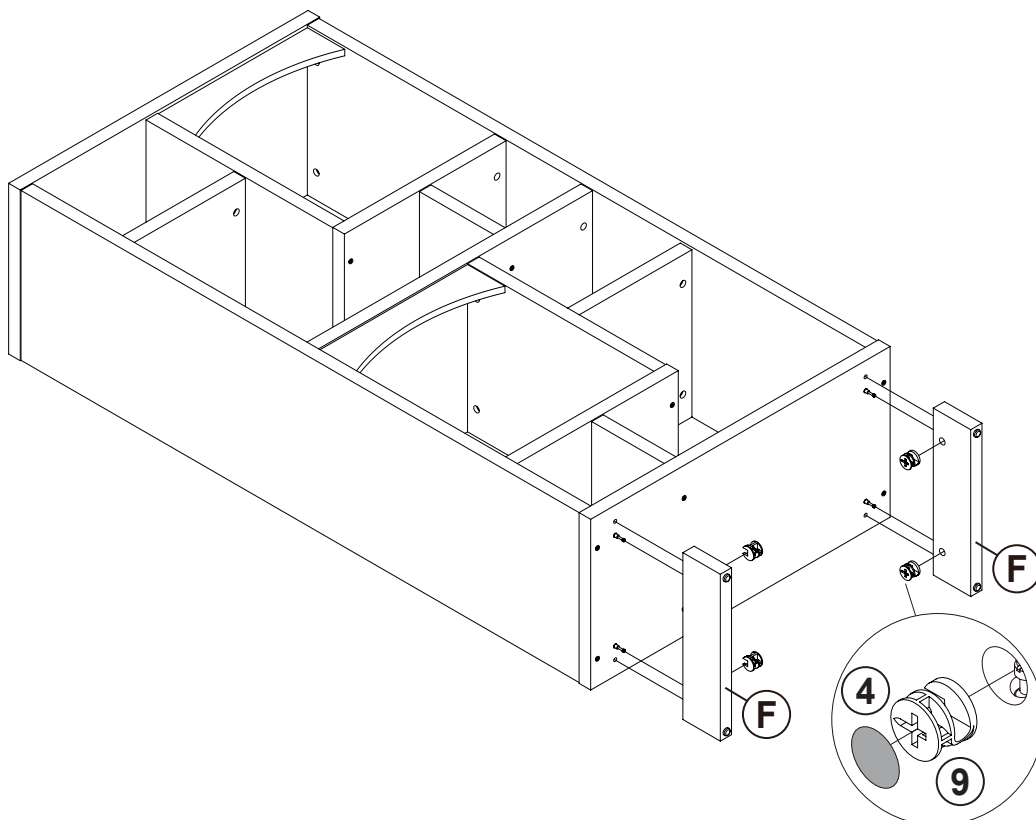
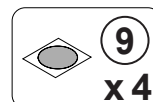
COASTER[®]

FINE FURNITURE

STEP 13



STEP 14

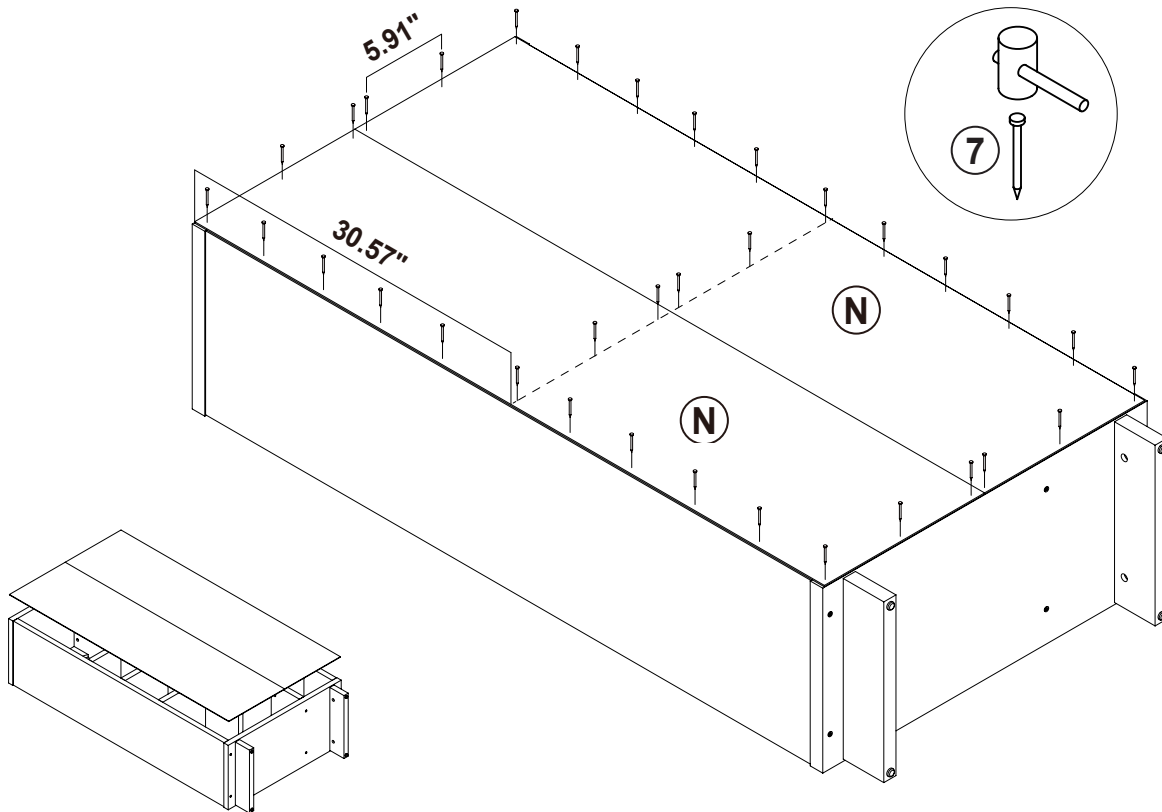


ITEM: **980075**

COASTER
FINE FURNITURE

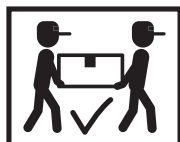
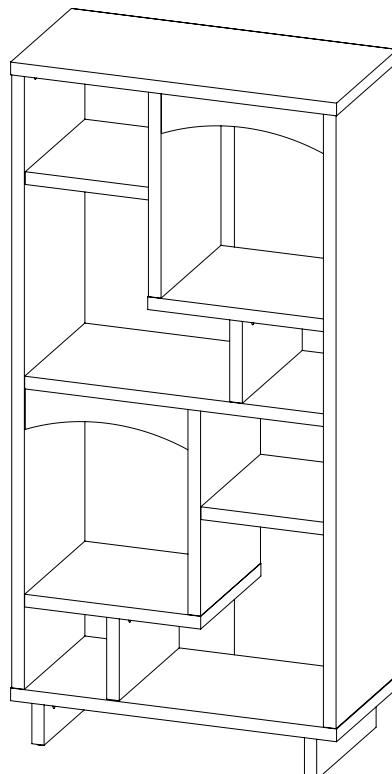
STEP 15

7
x 34

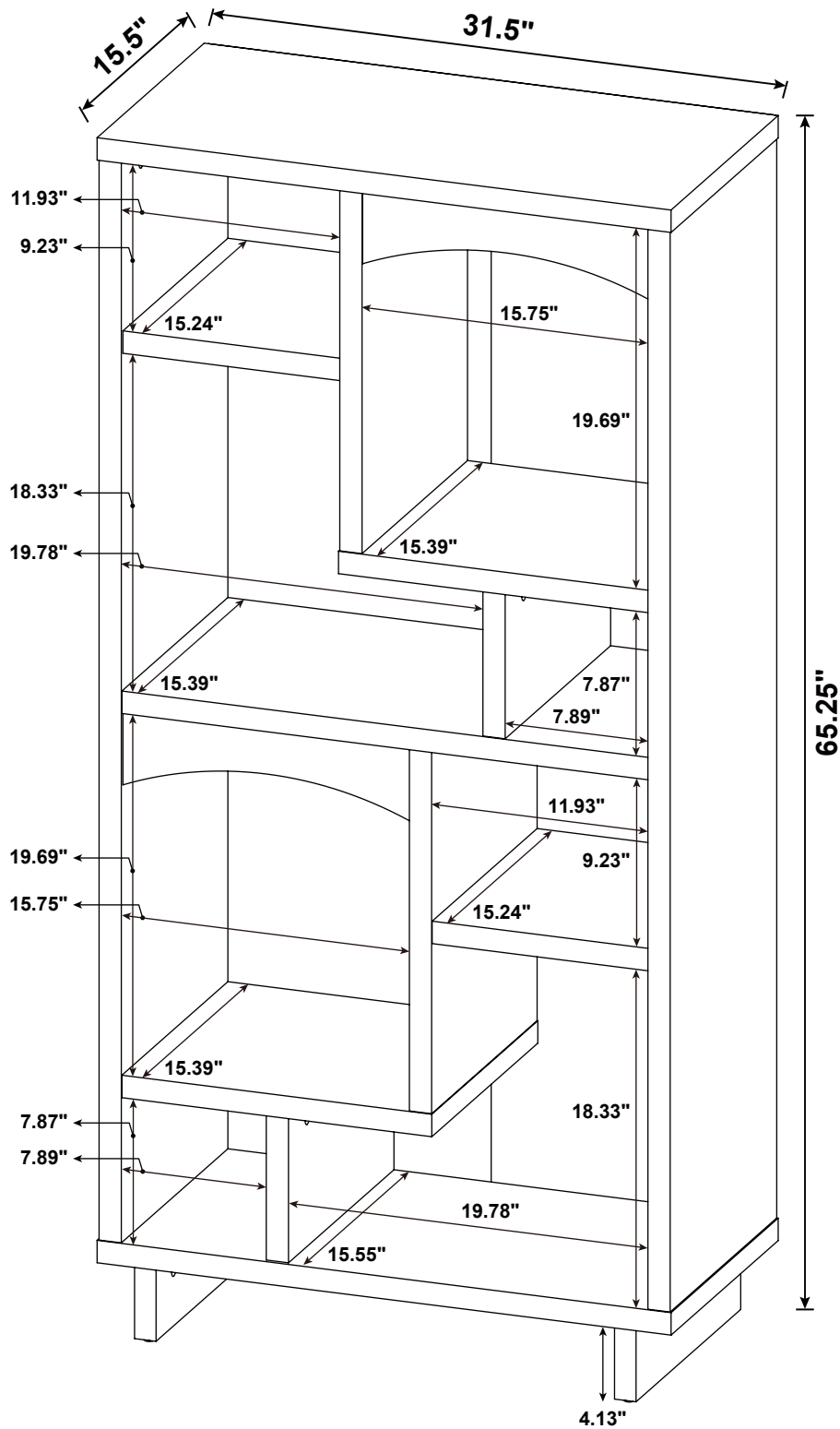


STEP 16

COMPLETE



ITEM:980075



Note : Dimension tolerance $\pm 5\%$

ANTI-TIPPING INSTALLMENT INSTRUCTIONS

FURNITURE TIPPING RESTRAINT

WARNING

Injury may result from tipping furniture.
This restraint may protect against tipping furniture.
Do not allow children to climb on furniture.
This restraint is not a substitute for proper adult supervision.
Failure to detach this restraint before moving the furniture
may result in injury and damage.

1. To attach the anti-tip strap, securely mount one end to the top of the case piece with the 5/8" screw.
2. Position the case piece against the wall in the desired location.
3. Pull the anti-tip strap taut and mark the position of where you will secure the other end on the wall.
4. Drill a 1-1/4" hole in the spot you marked.
5. Tap in plastic wall plug.
6. Fasten anti-tip strap with wall screw provided.

(Please install the anti-tipping kit in the middle of the case piece if only have one set of anti-tipping kit.)

