



# EZ CONNECT RACK SHELVING 72" (1.83 m) HIGH Assembly Instructions

## MODELS:

GARK485X\* /YGRK485X\*

GARK485T\* /YGRK485T\*

GARK365T\* /YGRK365T\*

# ÉTAGÈRE EZ CONNECT DE 72 PO (1,83 M) DE HAUT

Instructions d'assemblage

# ESTANTE EZ CONNECT DE 72" (1,83 M) DE ALTURA

Instrucciones de ensamblaje

## TABLE OF CONTENTS/TABLE DES MATIÈRES/ÍNDICE

EZ CONNECT RACK SHELVING	ÉTAGÈRE EZ CONNECT SÉCURITÉ.....	ESTANTE EZ CONNECT
SAFETY..... 2	9	SEGURIDAD..... 17
DIMENSIONS ..... 3	DIMENSIONS ..... 10	DIMENSIONES ..... 18
PARTS..... 4	PIÈCES..... 11	PIEZAS..... 19
ASSEMBLY INSTRUCTIONS..... 5	INSTRUCTIONS D'ASSEMBLAGE..... 12	INSTRUCCIONES DE
WARRANTY ..... 8	GARANTIE ..... 15	ENSAMBLAJE..... 20
		GARANTÍA..... 23

# EZ CONNECT RACK SHELVING SAFETY

## Your safety and the safety of others are very important.

We have provided many important safety messages in this manual and on your appliance. Always read and obey all safety messages.



This is the safety alert symbol.

This symbol alerts you to potential hazards that can kill or hurt you and others.

All safety messages will follow the safety alert symbol and either the word "DANGER" or "WARNING."

These words mean:

**! DANGER**

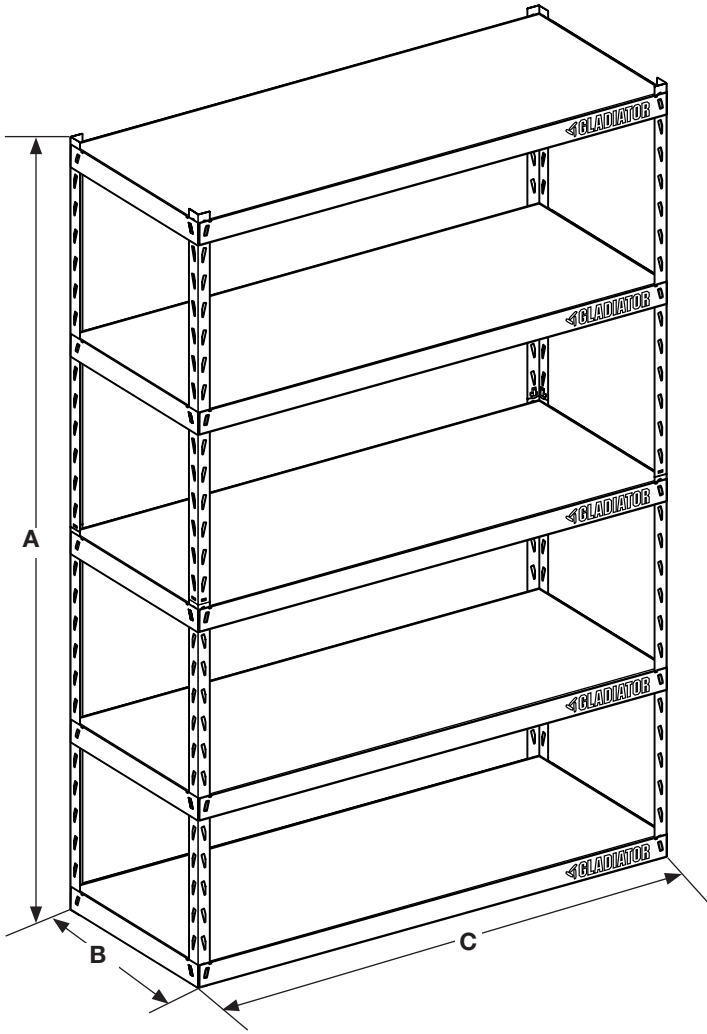
You can be killed or seriously injured if you don't immediately follow instructions.

**! WARNING**

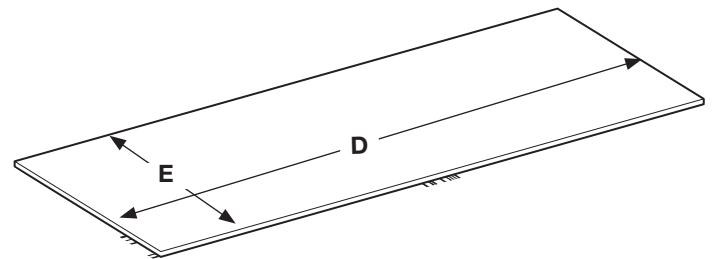
You can be killed or seriously injured if you don't follow instructions.

All safety messages will tell you what the potential hazard is, tell you how to reduce the chance of injury, and tell you what can happen if the instructions are not followed.

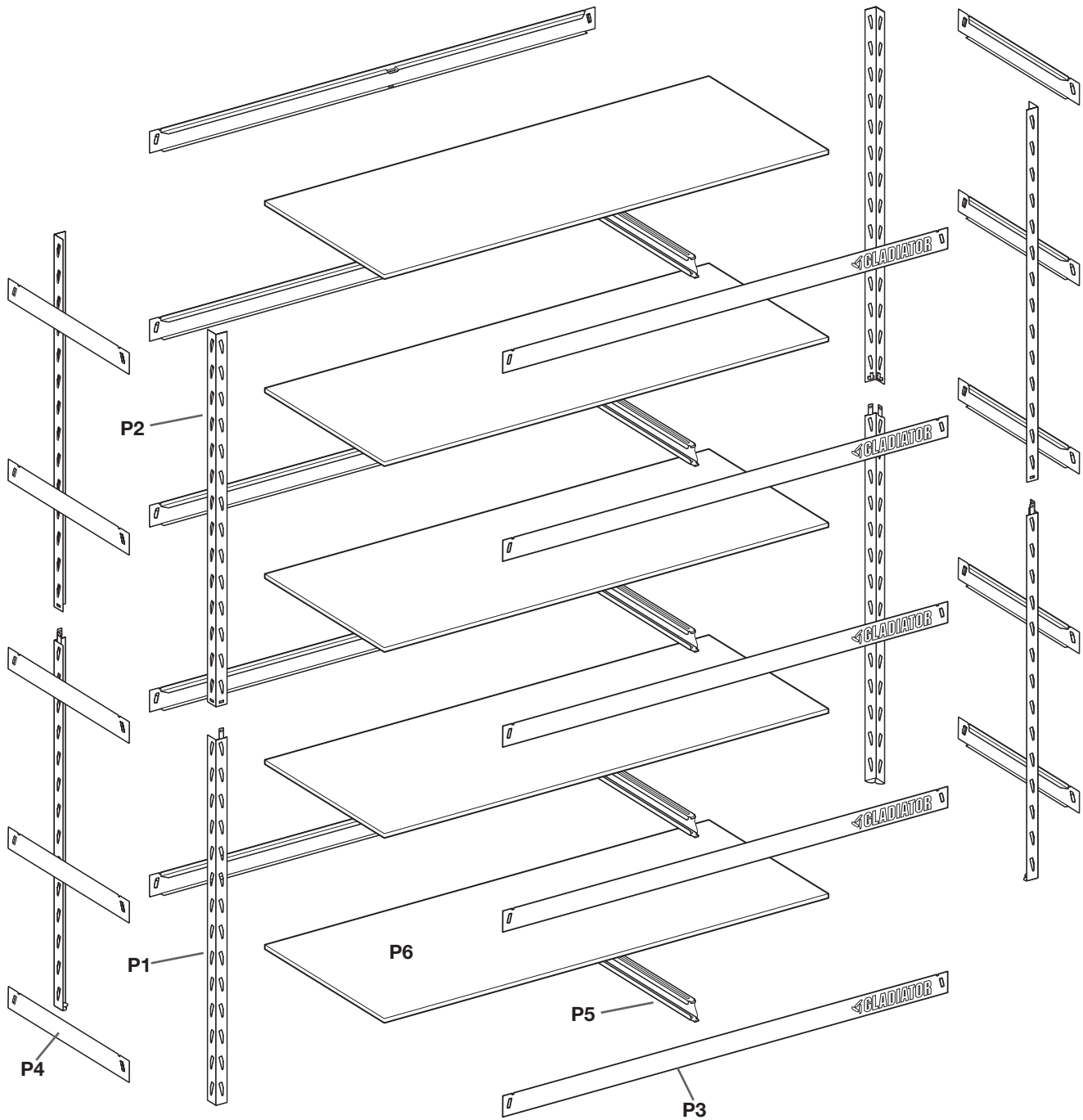
# DIMENSIONS



	GARK485X* YGRK485X*	GARK485T* YGRK485T*	GARK365T* YGRK365T*
A	72" (183 cm)	72" (183 cm)	72" (183 cm)
B	24" (61.0 cm)	18" (45.7 cm)	18" (45.7 cm)
C	48" (122 cm)	48" (122 cm)	36" (91.4 cm)
D	47" (120 cm)	47" (120 cm)	35" (89.0 cm)
E	23" (59.0 cm)	17" (43.7 cm)	17" (43.7 cm)



# PARTS



## RACK

- P1 - Bottom Posts (4)
- P2 - Top Posts (4)
- P3 - Horizontal Support Beams (10)
- P4 - Side Support Beams (10)
- P5 - Tie Channel Support (5)
- P6 - Laminate Shelves (5)

**NOTE:** No tools or hardware needed for assembly

# ASSEMBLY INSTRUCTIONS

## Shelving Use Requirements

- Maximum weight limit is 1,000 lbs (454 kg) for each shelf, not to exceed 5,000 lbs (2,268 kg) for the entire shelving unit.

### **⚠ WARNING**

#### **Excessive Weight Hazard**

**Use two or more people to move shelving.**

**Failure to do so can result in back or other injury.**

## Unpack

**NOTE:** Use one person to assemble shelving and two people to move it.

1. Remove and verify the contents. See the “Parts” section so you can sort out all of the parts.
2. Dispose of/recycle all packaging materials.

## Assemble & Complete

- No tools or hardware required.
- Can be assembled by one person.

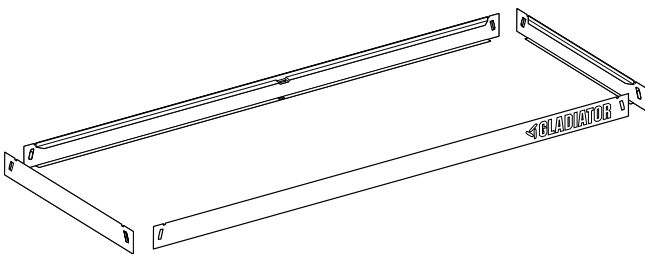
### **IMPORTANT:**

- Determine shelf spacing before assembly.

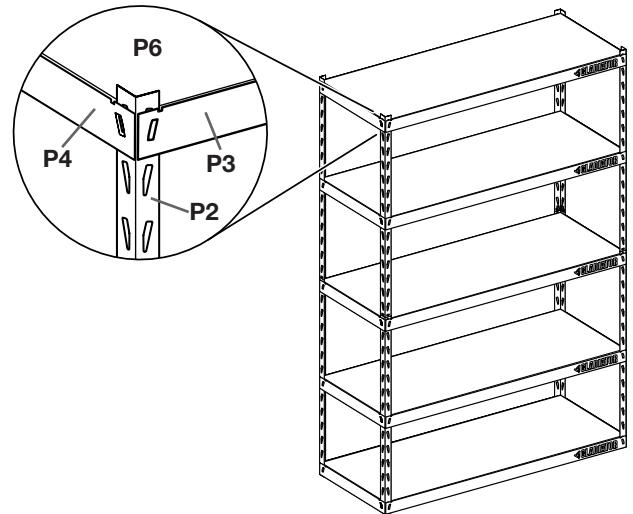
**NOTE:** It is recommended to space the shelves equally from top to bottom of the shelving unit and build it from the bottom up. See “End Frames/Support Beams” illustration.

- Prior to assembly, refer to sticker located on the inside of one of the P4 side support beams and record model and serial numbers on the included warranty page. There are many benefits of registering the product. Find out more and register the product online at [www.gladiatorgarageworks.com](http://www.gladiatorgarageworks.com).

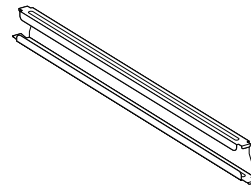
### **Support Beam Orientation**



### **End Frames/Support Beams**



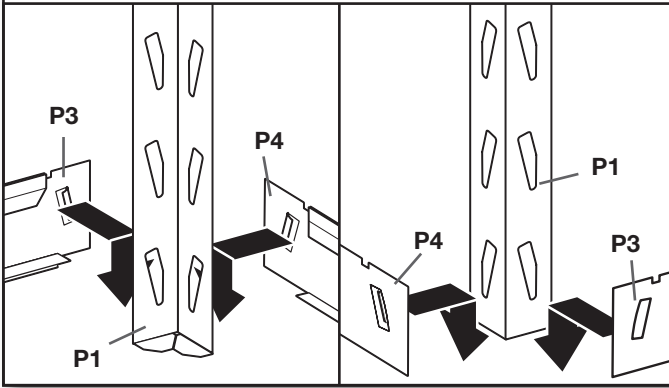
### **Tie Channels for Shelf Support**



### **NOTES:**

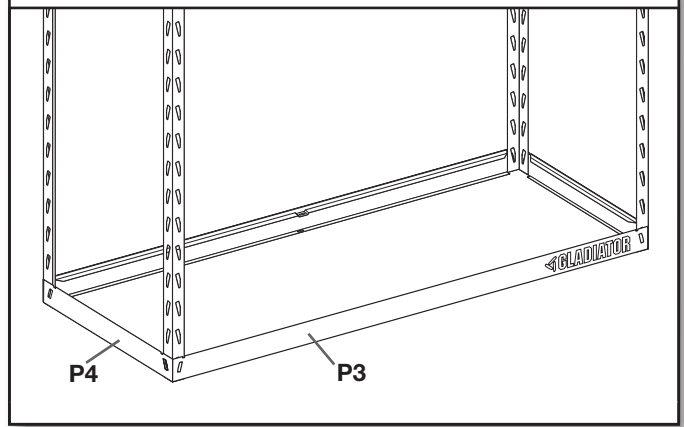
- It is recommended to put beams at notch 1, 8, 14, 21, and 28 (counting from the bottom up). To keep shelving rack balanced, keep three of the shelves on the bottom half of the shelving rack.
- All support beams need to be at the same height or the shelves will not assemble correctly.
- During assembly, press firmly on all side support beams and horizontal support beams (P3 and P4) to ensure they are properly installed in the slots on top and bottom posts.

## 1. Attach support beams to bottom post



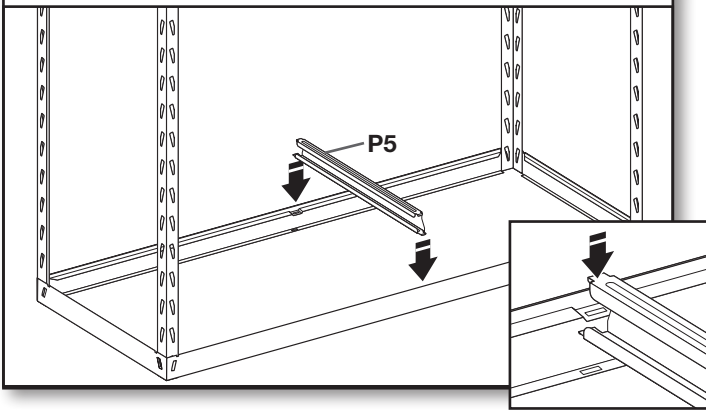
Use the bottom post (P1) and attach a horizontal support beam (P3) across front, and attach a side support beam (P4) to the other side. Insert horizontal and side beams starting at the top of the slots on the upright posts and pushing down after engagement. This will give you support while building your shelves up. You have now assembled one corner.

## 2. Assemble bottom



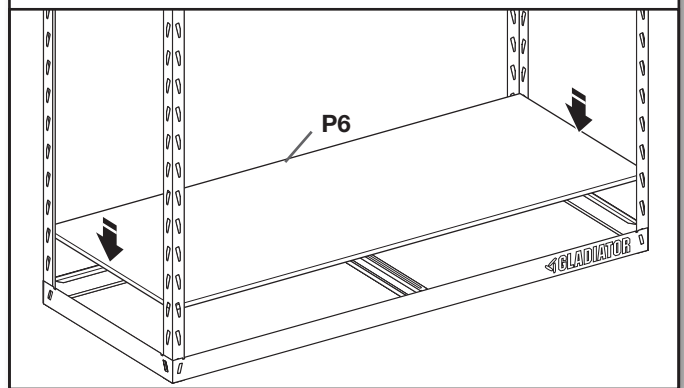
Repeat step 1 to assemble the other three corners, completing the bottom shelf. Make sure to press firmly on all side and horizontal support beams (P3 and P4) to ensure they are properly installed in the top and bottom posts.

## 3. Add tie channel support



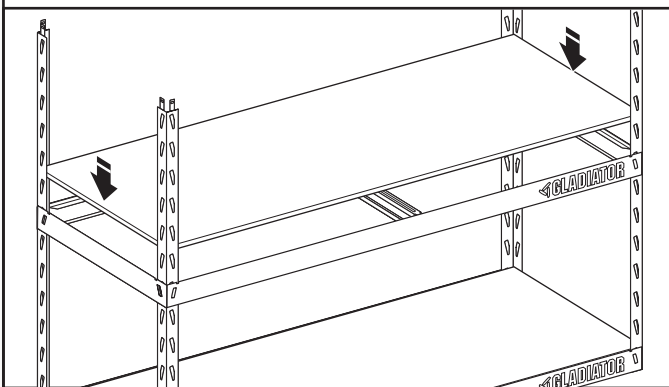
Add tie channel support (P5) to the bottom of the frame. Rotate into place BEFORE dropping tabs in slot.

## 4. Add 1st shelf



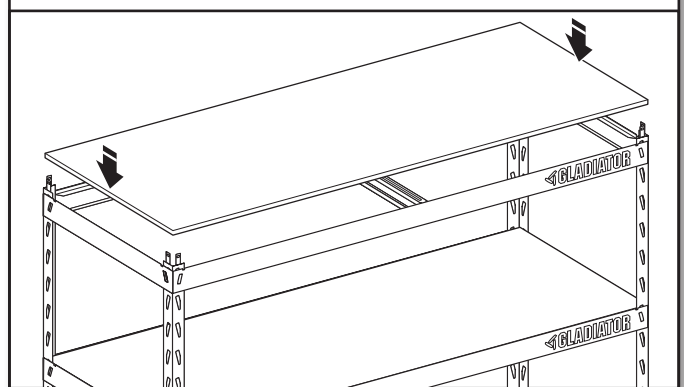
Add laminate shelf to the bottom of the frame. Gently place laminate shelf on beams and tie channel support.

## 5. Assemble 2nd shelf



Repeat steps 1 and 2. We recommend adding a section at notch 8 from the bottom of the post. Add the horizontal and side support beams. Add tie channel support and shelf.

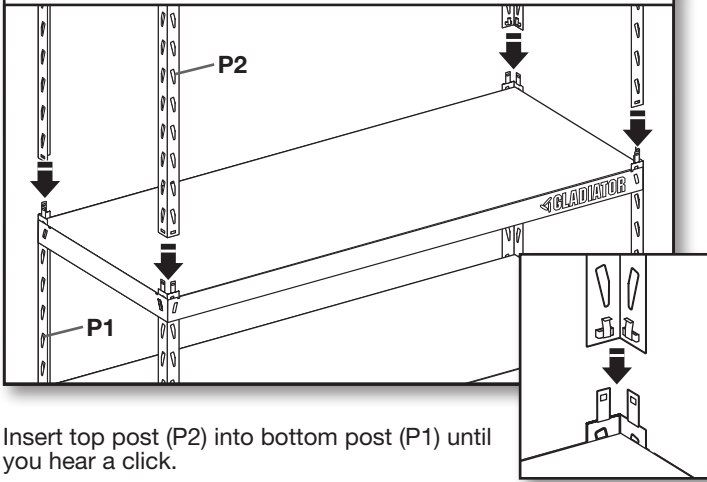
## 6. Assemble 3rd shelf



Repeat steps 1 and 2. We recommend adding a section at notch 14 from the bottom of the post. Add the horizontal and side support beams. Add tie channel support and shelf.

**NOTE:** We recommend adding 3 shelves to the bottom half of the shelving rack for better support. Make sure to install shelves before beginning next step.

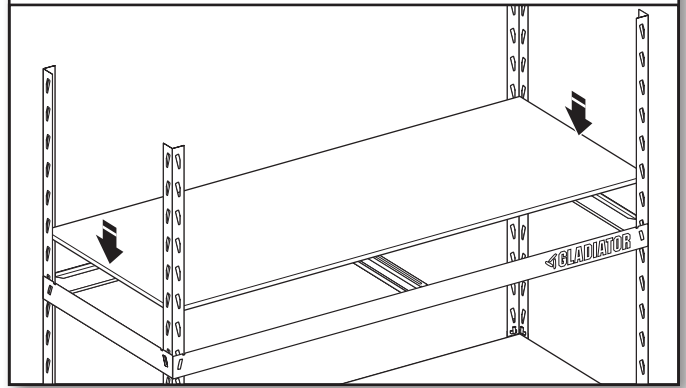
## 7. Add top post



Insert top post (P2) into bottom post (P1) until you hear a click.

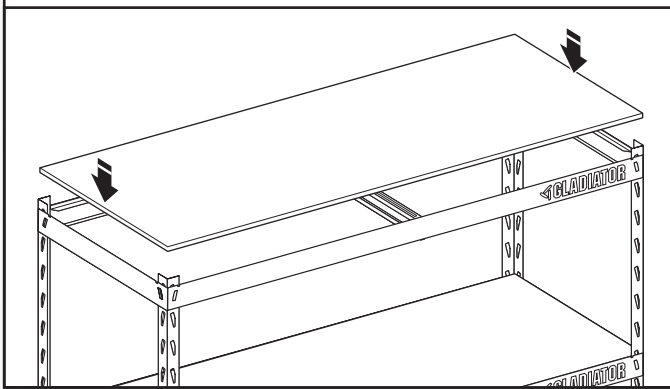
**NOTE:** Posts may appear loose until completion of step 8.

## 8. Assemble 4th shelf



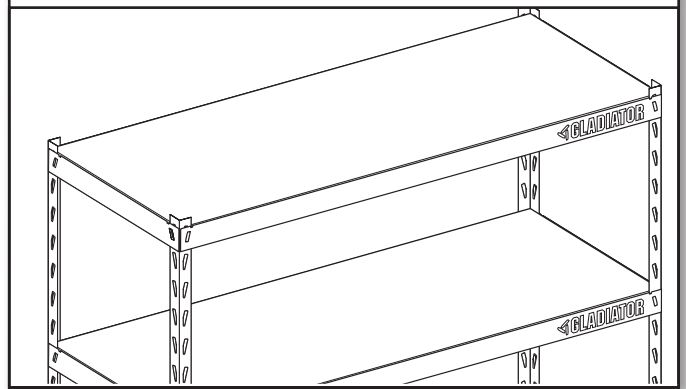
Repeat steps 1 and 2. We recommend adding a section at notch 8 from the top of the post. Add the horizontal and side support beams. Add tie channel support and shelf.

## 9. Assemble 5th shelf



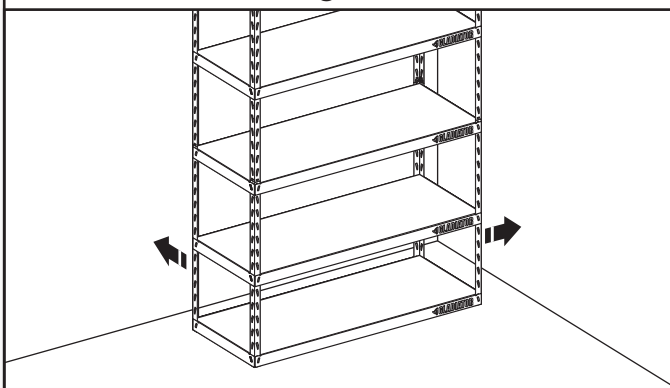
Repeat steps 1 and 2. We recommend adding section at the top of the post. Add the horizontal and side support beams. Add tie channel support and shelf.

## 10. Check all beams and tie channels



Verify that all beams and tie channel supports are properly assembled and firmly seated into the top and bottom post slots.

## 11. Move shelving



Using two people, move the rack shelving to its final location.

# GLADIATOR® GARAGeworks EZ CONNECT RACK SHELVING LIMITED WARRANTY

ATTACH YOUR RECEIPT HERE. PROOF OF PURCHASE IS REQUIRED TO OBTAIN WARRANTY SERVICE.

Please have the following information available when you call the Customer eXperience Center:

- Name, address, and telephone number
- Model number and serial number
- A clear, detailed description of the problem
- Proof of purchase, including dealer or retailer name and address

## IF YOU NEED SERVICE:

1. Before contacting us to arrange service, please determine whether your product requires repair. Some questions can be addressed without service. Please take a few minutes to review the instructions or visit [www.gladiatorgarageworks.com](http://www.gladiatorgarageworks.com).
2. All warranty service is provided exclusively by our authorized Gladiator® GarageWorks Service Providers. In the U.S. and Canada, direct all requests for warranty service to:

**Gladiator® GarageWorks Customer eXperience Center**

**In the U.S.A., call 1-866-342-4089. In Canada, call 1-800-807-6777.**

If outside the 50 United States or Canada, contact your authorized Gladiator® GarageWorks dealer to determine whether another warranty applies.

## TEN YEAR LIMITED WARRANTY

### WHAT IS COVERED

#### ONE YEAR LIMITED WARRANTY

For one year from the date of purchase, when this product is installed, operated and maintained according to instructions attached to or furnished with the product, Gladiator® GarageWorks brand of Whirlpool Corporation or Whirlpool Canada, LP (hereafter "Gladiator") will pay for factory specified replacement parts and repair labor to correct defects in materials or workmanship that existed when this product was purchased, or at its sole discretion replace the product. In the event of product replacement, your product will be warranted for the remaining term of the original unit's warranty period.

#### SECOND THROUGH TENTH YEAR LIMITED WARRANTY (METAL RACK PARTS ONLY - LABOR NOT INCLUDED)

In the second through tenth years from the date of original purchase, when this product is installed, operated, and maintained according to instructions attached to or furnished with the product, Gladiator® GarageWorks will pay for a factory specified replacement metal rack sections to correct non-cosmetic defects in materials or workmanship in this part that prevent function of the EZ Connect Rack and that existed when this product was purchased. This limited ten year warranty is for the metal rack only and does not include other parts or labor.

YOUR SOLE AND EXCLUSIVE REMEDY UNDER THIS LIMITED WARRANTY SHALL BE PRODUCT OR PART REPLACEMENT AT OUR DISCRETION AS PROVIDED HEREIN. Service must be provided by a Gladiator authorized service provider. This limited warranty is valid only in the United States or Canada and applies only when the product is used in the country in which it was purchased. This limited warranty is effective from the date of original consumer purchase. Proof of original purchase date is required to obtain service under this limited warranty.

### WHAT IS NOT COVERED

1. Service calls to correct the installation of any Gladiator® products or to instruct you on how to use or install them.
  2. Damage resulting from improper handling or shipping of products, or products damaged by accident, misuse, abuse, fire, flood, improper installation, acts of God, neglect, corrosion, modification, or mishandling.
  3. Shipping or freight fees to deliver replacement products or to return defective products.
  4. Factory specified replacement parts or product when your product is used in other than normal, single-family household use, such as a commercial environment or handled in any way inconsistent with the installation instructions included with the product.
  5. Cosmetic damage, including scratches, dings, dents, or cracks that do not affect the structural or functional capability of the product.
  6. Replacement parts or product for Gladiator® products used or installed outside the United States or Canada.
  7. Travel or transportation expenses for customers who reside in remote areas.
  8. Any labor costs during the first year limited warranty period.
  9. Damage resulting from improper loading beyond the specified maximum weight capacity outlined in the assembly instructions provided with the product, including overloading of hooks, baskets, shelves, cabinets, and other Gladiator® accessories used with the product.
  10. Product damage due to prolonged exposure to sunlight resulting in warping, fading, discoloration, cracking or peeling, or product damage due to chemical interaction resulting in corrosion of paint or metal.
  11. Any damage, splitting, checking, cracking, or warping of the laminate shelves past the first year.
  12. Loss of product contents due to theft, fire, flood, accident, or acts of God.
- The cost of repair or replacement under these excluded circumstances shall be borne by the customer.**

#### DISCLAIMER OF IMPLIED WARRANTIES

IMPLIED WARRANTIES, INCLUDING ANY IMPLIED WARRANTY OF MERCHANTABILITY OR IMPLIED WARRANTY OF FITNESS FOR A PARTICULAR PURPOSE, ARE LIMITED TO **TEN YEARS** OR THE SHORTEST PERIOD ALLOWED BY LAW. Some states and provinces do not allow limitations on the duration of implied warranties of merchantability or fitness, so this limitation may not apply to you. This warranty gives you specific legal rights, and you also may have other rights that vary from state to state or province to province.

#### DISCLAIMER OF REPRESENTATIONS OUTSIDE OF WARRANTY

Gladiator makes no representations about the quality, durability, or need for service or repair of this product other than the representations contained in this warranty.

#### LIMITATION OF REMEDIES; EXCLUSION OF INCIDENTAL AND CONSEQUENTIAL DAMAGES

YOUR SOLE AND EXCLUSIVE REMEDY UNDER THIS LIMITED WARRANTY SHALL BE PRODUCT REPAIR OR REPLACEMENT AS PROVIDED HEREIN. GLADIATOR SHALL NOT BE LIABLE FOR INCIDENTAL OR CONSEQUENTIAL DAMAGES. Some states and provinces do not allow the exclusion or limitation of incidental or consequential damages, so these limitations and exclusions may not apply to you. This warranty gives you specific legal rights, and you also may have other rights that vary from state to state or province to province.

**Keep this book and your sales slip together for future reference. You must provide proof of purchase or installation date for in-warranty service.**

Write down the following information about your Gladiator® product to better help you obtain assistance or service if you ever need it. You will need to know your complete model number and serial number. You can find this information on the model and serial label located on the back of the product.

12/16

Dealer name \_\_\_\_\_  
 Address \_\_\_\_\_  
 Phone number \_\_\_\_\_  
 Model number \_\_\_\_\_  
 Serial number \_\_\_\_\_  
 Purchase date \_\_\_\_\_



# ÉTAGÈRE EZ CONNECT SÉCURITÉ

## Votre sécurité et celle des autres est très importante.

Nous donnons de nombreux messages de sécurité importants dans ce manuel et sur votre appareil ménager. Assurez-vous de toujours lire tous les messages de sécurité et de vous y conformer.



Voici le symbole d'alerte de sécurité.

Ce symbole d'alerte de sécurité vous signale les dangers potentiels de décès et de blessures graves à vous et à d'autres.

Tous les messages de sécurité suivront le symbole d'alerte de sécurité et le mot "DANGER" ou "AVERTISSEMENT". Ces mots signifient :

**! DANGER**

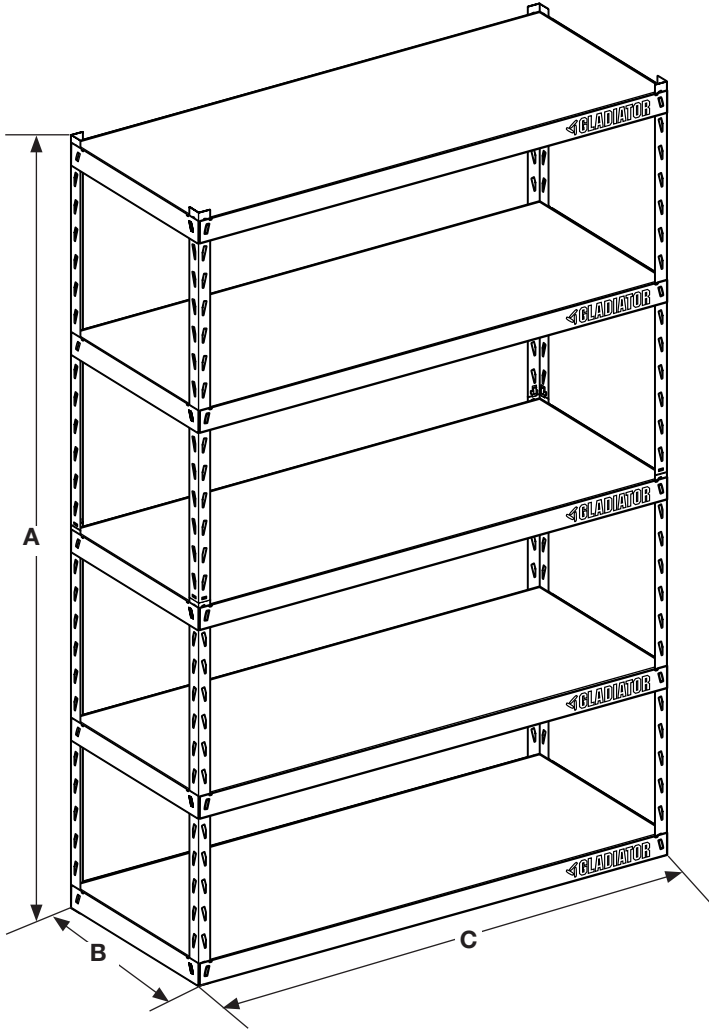
**Risque possible de décès ou de blessure grave si vous ne suivez pas immédiatement les instructions.**

**! AVERTISSEMENT**

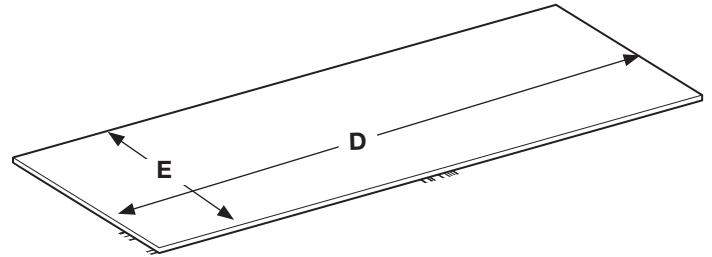
**Risque possible de décès ou de blessure grave si vous ne suivez pas les instructions.**

Tous les messages de sécurité vous diront quel est le danger potentiel et vous disent comment réduire le risque de blessure et ce qui peut se produire en cas de non-respect des instructions.

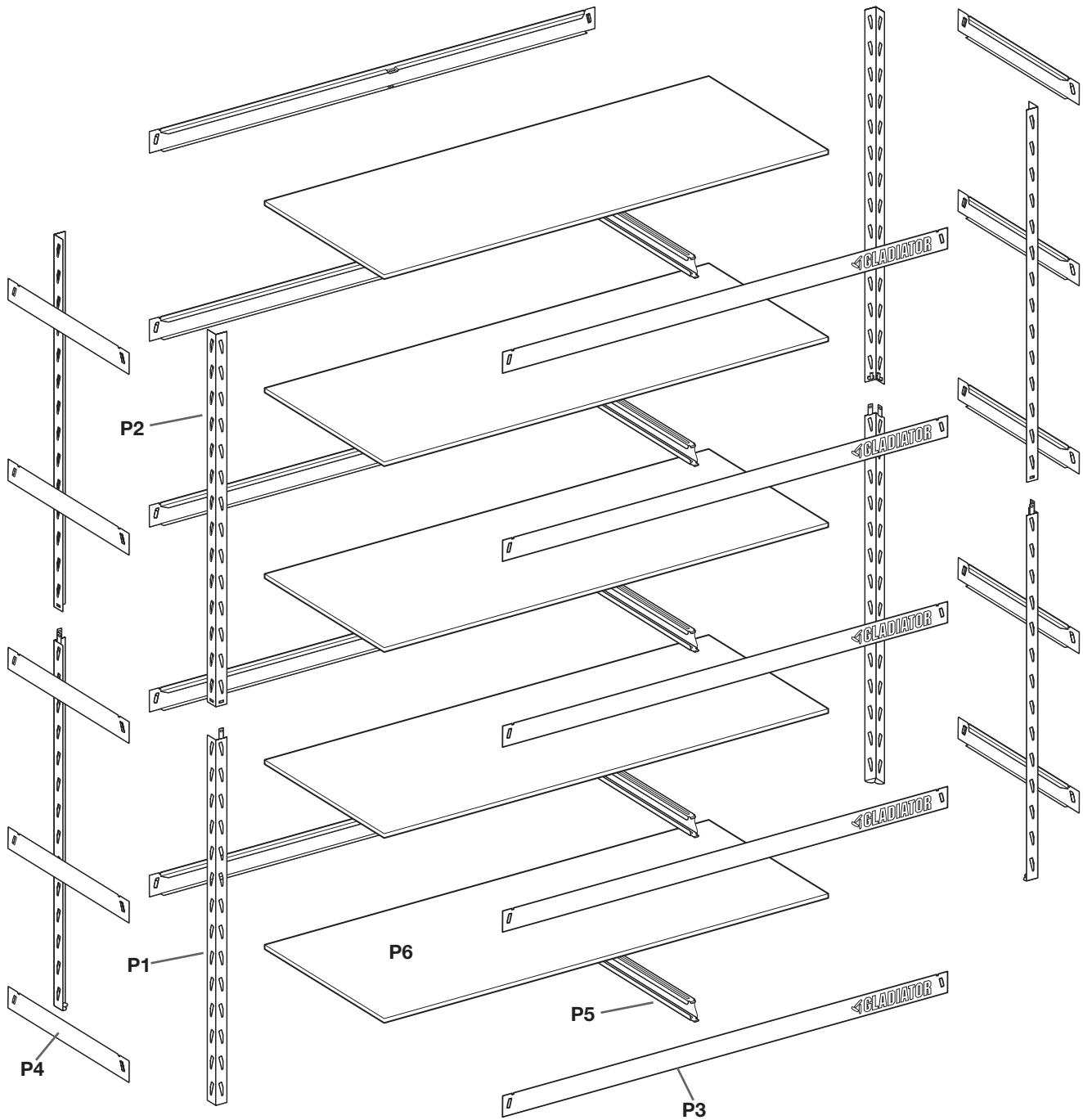
# DIMENSIONS



	GARK485X* YGRK485X*	GARK485T* YGRK485T*	GARK365T* YGRK365T*
A	72" (183 cm)	72" (183 cm)	72" (183 cm)
B	24" (61,0 cm)	18" (45,7 cm)	18" (45,7 cm)
C	48" (122 cm)	48" (122 cm)	36" (91,4 cm)
D	47" (120 cm)	47" (120 cm)	35" (89,0 cm)
E	23" (59,0 cm)	17" (43,7 cm)	17" (43,7 cm)



# PIÈCES



## PANIER

- P1 – Montants inférieurs (4)
- P2 – Montants supérieurs (4)
- P3 – Poutres de support horizontales (10)
- P4 – Poutres de support latérales (10)
- P5 – Traverses de support en U (5)
- P6 – Tablettes laminées (5)

**REMARQUE :** L'assemblage ne requiert pas d'outil ou d'équipement

# INSTRUCTION D'ASSEMBLAGE

## Exigences pour l'utilisation de l'étagère

- Charge maximale pour chaque tablette de 1 000 lb (454 kg) et de 5 000 lb (2 268 kg) pour l'étagère en entier.

### **AVERTISSEMENT**

Risque de poids excessif

Au moins deux personnes sont requises pour déplacer les étagères.

Le non-respect de cet avertissement pourrait entraîner une blessure au dos ou autre blessure.

## Déballage

**REMARQUE :** Il ne faut qu'une personne pour assembler l'étagère, mais deux pour la déplacer.

1. Retirer le contenu; vérifier la présence de tous les composants. Consulter la section "Pièces" pour pouvoir trier les pièces.
2. Éliminer/recycler tous les matériaux d'emballage.

## Assemblage

- L'assemblage ne requiert pas d'outil ou d'équipement.
- Peut être assemblée par une personne.

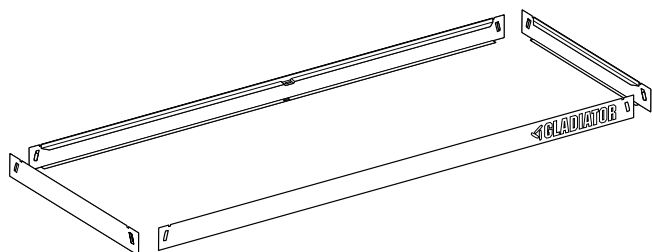
### IMPORTANT :

- Décider de l'emplacement de l'étagère avant de l'assembler.

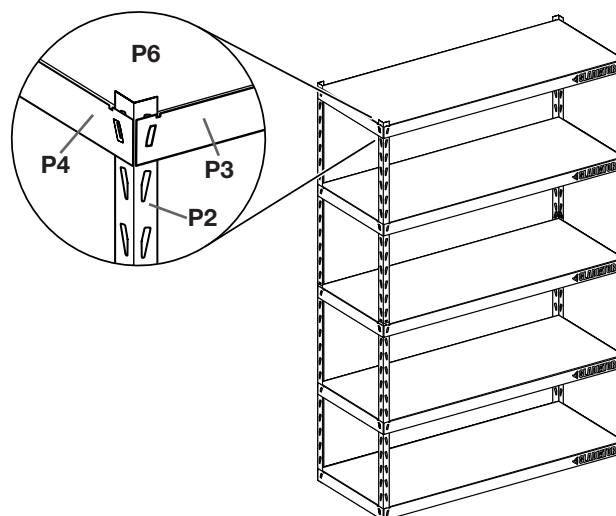
**REMARQUE :** Il est recommandé de placer les tablettes à une distance égale les unes des autres, du haut vers le bas, et d'assembler l'étagère du bas vers le haut. Consulter l'illustration « Bouts du cadre/poutres de support ».

- Avant l'assemblage, consulter l'autocollant situé sur le côté de l'une des poutres de support latérales P4 et écrire les numéros de modèle et de série sur la page de garantie incluse. Il y a plusieurs avantages à enregistrer le produit. Pour obtenir plus de renseignements et enregistrer le produit en ligne, visiter le [www.gladiatorgarageworks.com](http://www.gladiatorgarageworks.com).

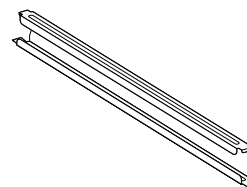
### Orientation des poutres de support



### Bouts du cadre/poutres de support



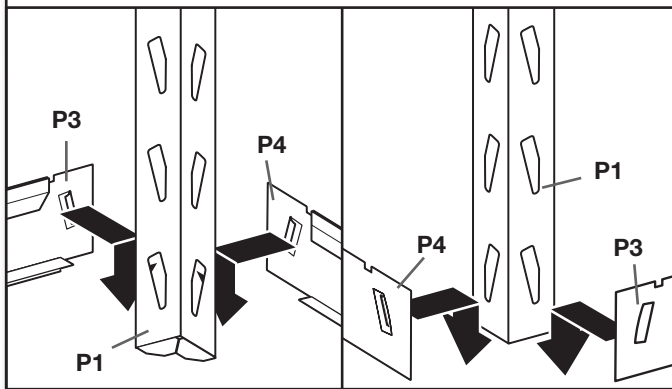
### Traverses en U pour le support des tablettes



### REMARQUE :

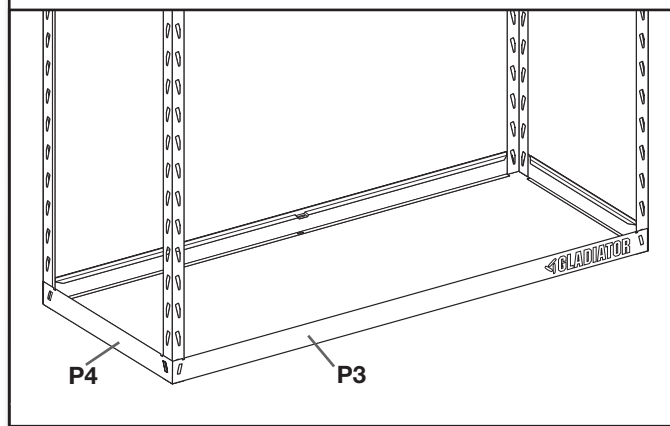
- Il est recommandé de positionner les poutres aux encoches 1, 8, 14, 21 et 28 (en comptant du bas vers le haut). Pour bien équilibrer l'ensemble, placer 3 des tablettes dans la moitié inférieure de l'étagère.
- Il sera impossible de bien assembler l'étagère si les poutres de support ne sont pas toutes à la même hauteur.
- Pendant l'assemblage, appuyer fermement sur chacun des côtés des poutres de support latérales et horizontales (P3 et P4) pour s'assurer qu'elles sont bien insérées dans les fentes des montants inférieurs et supérieurs.

## 1. Fixer les poutres de support aux montants inférieurs



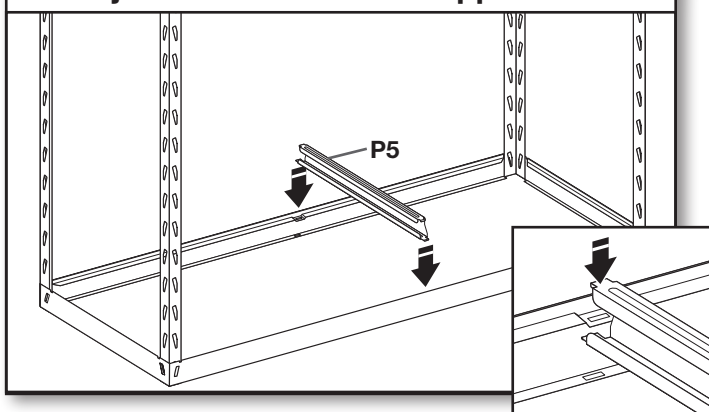
Utiliser le montant inférieur (P1) et fixer la poutre de support horizontale (P3) sur l'avant, puis fixer la poutre de support latérale (P4) à l'autre côté. Insérer les poutres de support latérales et horizontales en commençant par le haut des fentes des montants debout et en poussant vers le bas une fois qu'elles sont insérées. Ceci permet d'obtenir le support nécessaire pour bâtir l'étagère. Un coin est maintenant assemblé.

## 2. Assembler le bas



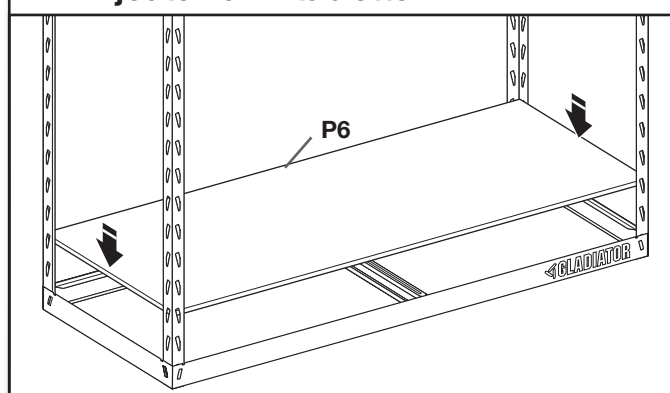
Répéter l'étape 1 pour les trois autres coins. La partie inférieure de l'étagère est terminée. S'assurer d'appuyer fermement sur tous les supports latéraux et horizontaux (P3 et P4) pour s'assurer qu'ils sont bien installés aux montants inférieurs et supérieurs.

## 3. Ajouter un travers de support en U



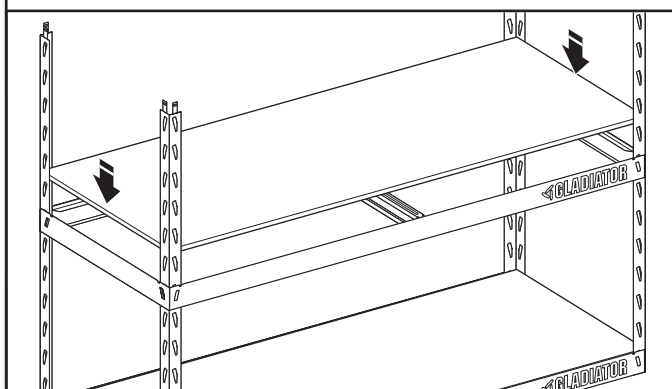
Ajouter un travers de support en U (P5) au cadre du bas. Faire tourner en place AVANT de laisser tomber les pattes dans les rainures.

## 4. Ajouter la 1<sup>re</sup> tablette



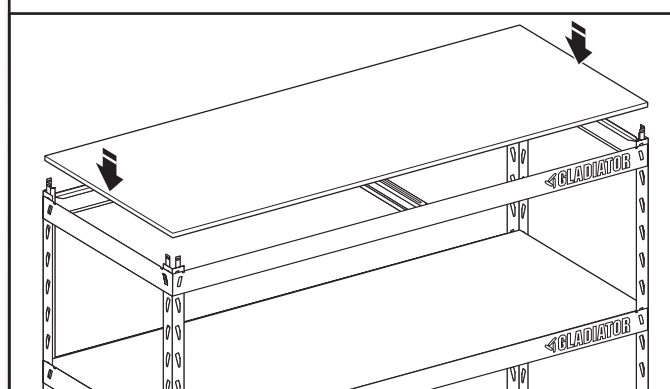
Ajouter la tablette laminée au cadre du bas. Placer doucement la tablette laminée sur les poutres et le travers de support en U.

## 5. Assembler le 2<sup>e</sup> niveau



Répéter les étapes 1 et 2. Nous recommandons d'ajouter le niveau suivant aux encoches 8 en comptant à partir du montant inférieur. Ajouter les poutres de support horizontales et latérales. Ajouter un travers de support en U et une tablette.

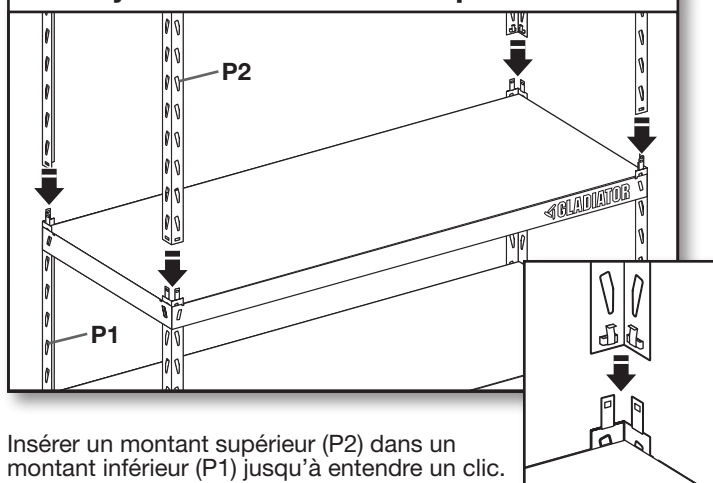
## 6. Assembler le 3<sup>e</sup> niveau



Répéter les étapes 1 et 2. Nous recommandons d'ajouter le niveau suivant aux encoches 14 en comptant à partir du montant inférieur. Ajouter les poutres de support horizontales et latérales. Ajouter un travers de support en U et une tablette.

**REMARQUE :** Nous recommandons de placer 3 tablettes dans la moitié inférieure de l'étagère pour offrir un bon support. Il est important de placer les tablettes avant de poursuivre avec l'étape suivante.

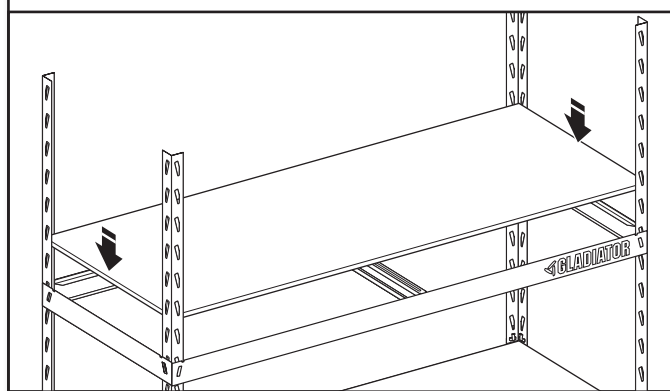
## 7. Ajouter les montants supérieurs



Insérer un montant supérieur (P2) dans un montant inférieur (P1) jusqu'à entendre un clic.

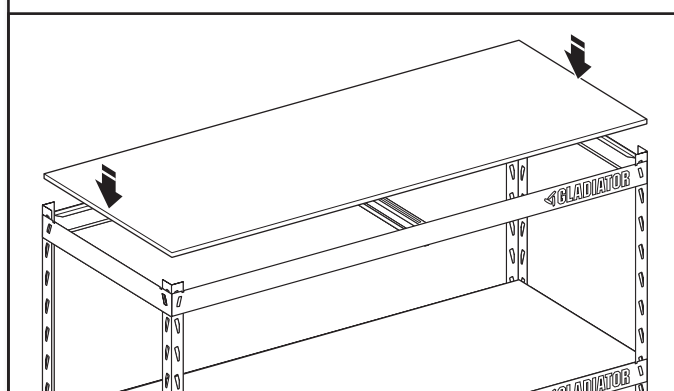
**REMARQUE :** Les montants pourront sembler desserrés jusqu'à l'étape 8.

## 8. Assembler le 4<sup>e</sup> niveau



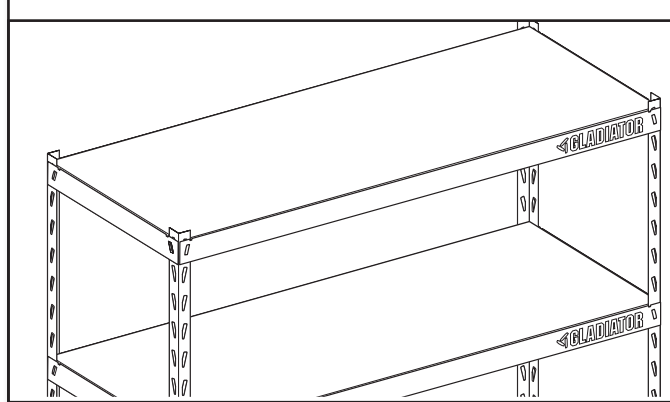
Répéter les étapes 1 et 2. Nous recommandons d'ajouter le niveau suivant aux encoches 8 en comptant à partir du montant supérieur. Ajouter les poutres de support horizontales et latérales. Ajouter un travers de support en U et une tablette.

## 9. Assembler le 5<sup>e</sup> niveau



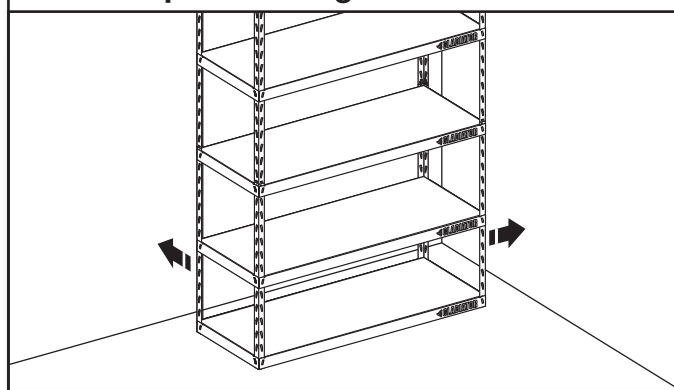
Répéter les étapes 1 et 2. Nous recommandons d'ajouter une section au montant supérieur. Ajouter les poutres de support horizontales et latérales. Ajouter un travers de support en U et une tablette.

## 10. Vérifier toutes les poutres et traverses en U



Vérifier que tous les montants et travers de support en U sont bien assemblés et enfoncés dans les fentes des montants supérieurs et inférieurs.

## 11. Déplacer l'étagère



À l'aide d'une autre personne, déplacer l'étagère à son emplacement final.

# GARANTIE LIMITÉE SUR ÉTAGÈRES EZ CONNECT GLADIATOR® GARAGEWORKS

ATTACHEZ ICI VOTRE REÇU DE VENTE. UNE PREUVE D'ACHAT EST OBLIGATOIRE POUR OBTENIR L'APPLICATION DE LA GARANTIE.

Lorsque vous appelez le centre d'expérience de la clientèle, veuillez garder à disposition les renseignements suivants :

- Nom, adresse et numéro de téléphone
- Numéros de modèle et de série
- Une description claire et détaillée du problème rencontré
- Une preuve d'achat incluant le nom et l'adresse du marchand ou du détaillant

## SI VOUS AVEZ BESOIN DE SERVICE :

1. Avant de nous contacter pour obtenir un dépannage, veuillez déterminer si des réparations sont nécessaires pour votre produit. Certains problèmes peuvent être résolus sans intervention de dépannage. Veuillez prendre quelques minutes pour passer en revue les instructions ou visitez [www.gladiatorgarageworks.com](http://www.gladiatorgarageworks.com).
2. Tout service sous garantie doit être effectué exclusivement par nos fournisseurs de dépannage autorisés Gladiator® GarageWorks. Aux E.-U. et au Canada, dirigez toutes vos demandes de service sous garantie au :

**Gladiator® GarageWorks Customer eXperience Center**

**Aux États-Unis, composez le 1 866 342-4089. Au Canada, composez le 1 800 807-6777.**

Si vous résidez à l'extérieur du Canada et des 50 États des États-Unis, contactez votre marchand Gladiator® GarageWorks autorisé pour déterminer si une autre garantie s'applique.

## GARANTIE LIMITÉE DE DIX ANS

### CE QUI EST COUVERT

#### GARANTIE LIMITÉE DE UN AN

Pendant un an à compter de la date d'achat, lorsque ce produit est installé, utilisé et entretenu conformément aux instructions jointes à ou fournies avec le produit, la marque Gladiator® GarageWorks de Whirlpool Corporation ou Whirlpool Canada LP (ci-après désignées "Gladiator") décidera à sa seule discrétion de remplacer le produit ou de couvrir le coût des pièces de remplacement spécifiées par l'usine et de la main-d'œuvre nécessaires pour corriger les vices de matériaux ou de fabrication qui existaient déjà lorsque ce produit a été acheté. S'il est remplacé, votre produit restera sous garantie pour la durée restant à couvrir de la période de garantie sur le produit d'origine.

#### GARANTIE LIMITÉE DE LA DEUXIÈME À LA DIXIÈME ANNÉE (PIÈCES EN MÉTAL DE L'ÉTAGÈRE UNIQUEMENT - MAIN-D'OEUVRE NON COMPRISE)

De la deuxième à la dixième année inclusivement à compter de la date d'achat initiale, lorsque ce produit est installé, utilisé et entretenu conformément aux instructions jointes au produit ou fournies avec, Gladiator® GarageWorks paiera pour des sections de l'étagère en métal spécifiées par l'usine pour corriger les défauts non esthétiques de matériau ou de fabrication de ladite pièce qui empêchent l'étagère EZ Connect de fonctionner et qui étaient déjà présents lorsque ce produit a été acheté. Cette garantie limitée de 10 ans s'applique uniquement à l'étagère en métal et ne comprend pas les autres pièces ni à la main-d'œuvre.

LE SEUL ET EXCLUSIF RECOURS DU CLIENT DANS LE CADRE DE LA PRÉSENTE GARANTIE LIMITÉE CONSISTE EN LE REMPLACEMENT DU PRODUIT OU D'UNE PIÈCE TEL QUE PRÉVU PAR LA PRÉSENTE, ET CE, À NOTRE DISCRÉTION. La réparation doit être effectuée par le personnel d'un fournisseur de service autorisé Gladiator. Cette garantie limitée est valide uniquement aux États-Unis ou au Canada et s'applique exclusivement lorsque le produit est utilisé dans le pays où il a été acheté. La présente garantie limitée est valable à compter de la date d'achat initial par le consommateur. Une preuve de la date d'achat initial est exigée pour obtenir un dépannage dans le cadre de la présente garantie limitée.

### CE QUI N'EST PAS COUVERT

1. Les appels de service pour rectifier l'installation de tout produit Gladiator® ou pour expliquer comment l'utiliser ou l'installer.
2. Les dommages causés par une manipulation ou une expédition des produits incorrecte, ou les produits endommagés par : accident, mésusage, abus, incendie, inondation, installation incorrecte, catastrophes naturelles, négligence, corrosion, modification ou mauvaise manipulation.
3. Les frais d'expédition ou de transport pour livrer des produits de rechange ou retourner des produits défectueux.
4. Les pièces de rechange ou produits spécifiés par l'usine lorsque le produit est utilisé autrement que dans une utilisation normale, unifamiliale, comme dans un environnement commercial, ou manipulé d'une façon non conforme aux instructions d'installation fournies avec le produit.
5. Les défauts d'apparence – éraflures, traces de choc ou fissures – n'affectant pas la fonctionnalité ou la résistance structurale du produit.
6. Les pièces de rechange ou un produit de remplacement pour les produits Gladiator® utilisés ou installés en dehors des États-Unis ou du Canada.
7. Les frais de voyage ou de transport pour les clients qui habitent dans des régions éloignées.
8. Tous les frais de main-d'œuvre encourus au cours de la période de garantie limitée de un an.
9. Les dommages causés par un chargement incorrect au-delà de la capacité de poids maximum spécifiée dans les instructions d'assemblage fournies avec le produit, y compris la surcharge de crochets, paniers, étagères, armoires et autres accessoires Gladiator® utilisés avec le produit.
10. Les dommages au produit causés par une exposition prolongée au rayonnement solaire, provoquant gauchissement, dégradation des couleurs, décoloration, fissure ou écaillage, ou les dommages au produit causés par une interaction chimique provoquant la corrosion de la peinture ou du métal.
11. Les dommages, fentes, craquelures, fissures ou déformations des tablettes stratifiées après la première année.
12. La perte du contenu du produit due au vol, incendie, inondation, accident ou catastrophes naturelles.

**Le coût d'une réparation ou d'un remplacement dans le cadre de ces circonstances exclues est à la charge du client.**

### CLAUSE D'EXONÉRATION DE RESPONSABILITÉ AU TITRE DES GARANTIES IMPLICITES

LES GARANTIES IMPLICITES, Y COMPRIS LES GARANTIES IMPLICITES DE QUALITÉ MARCHANDE OU D'APTITUDE À UN USAGE PARTICULIER, SONT LIMITÉES À DIX ANS OU À LA PLUS COURTE PÉRIODE AUTORISÉE PAR LA LOI. Certains États et certaines provinces ne permettent pas de limitation sur la durée des garanties implicites de qualité marchande ou d'aptitude à un usage particulier, de sorte que la limitation ci-dessus peut ne pas être applicable dans votre cas. Cette garantie vous confère des droits juridiques spécifiques et vous pouvez également jouir d'autres droits qui peuvent varier d'une juridiction à l'autre.

### EXONÉRATION DE RESPONSABILITÉ DANS LES DOMAINES NON COUVERTS PAR LA GARANTIE

Gladiator décline toute responsabilité au titre de la qualité, de la durabilité ou en cas de dépannage ou de réparation nécessaire sur ce produit autre que les responsabilités énoncées dans la présente garantie.

### LIMITATION DES RECOURS; EXCLUSION DES DOMMAGES FORTUITS OU INDIRECTS

VOTRE SEUL ET EXCLUSIF RECOURS DANS LE CADRE DE LA PRÉSENTE GARANTIE LIMITÉE CONSISTE EN LA RÉPARATION OU LE REMPLACEMENT PRÉVU CI-DESSUS. GLADIATOR NE SERA PAS TENUE RESPONSABLE DES DOMMAGES DIRECTS OU INDIRECTS. Certains États et certaines provinces ne permettent pas l'exclusion ou la limitation des dommages fortuits ou indirects de sorte que ces limitations et exclusions peuvent ne pas être applicables dans votre cas. Cette garantie vous confère des droits juridiques spécifiques et vous pouvez également jouir d'autres droits qui peuvent varier d'une juridiction à l'autre.

**Conservez ce manuel et le reçu de vente au même endroit pour référence ultérieure. Pour un entretien ou une réparation sous garantie, un document attestant de la date d'achat ou d'installation doit être fourni.**

Inscrivez les renseignements suivants au sujet de votre produit Gladiator® pour mieux vous aider à obtenir assistance ou réparation en cas de besoin.

Vous devrez fournir le numéro de modèle et le numéro de série au complet. Vous trouverez ces renseignements sur la plaque signalétique située à l'arrière du produit.

Nom du revendeur \_\_\_\_\_

Adresse \_\_\_\_\_

Numéro de téléphone \_\_\_\_\_

Numéro de modèle \_\_\_\_\_

Numéro de série \_\_\_\_\_

Date d'achat \_\_\_\_\_



# ESTANTE EZ CONNECT SEGURIDAD

## Su seguridad y la seguridad de los demás es muy importante.

Hemos incluido muchos mensajes importantes de seguridad en este manual y en su electrodoméstico. Lea y obedezca siempre todos los mensajes de seguridad.



Este es el símbolo de alerta de seguridad.

Este símbolo le llama la atención sobre peligros potenciales que pueden ocasionar la muerte o una lesión a usted y a los demás.

Todos los mensajes de seguridad irán a continuación del símbolo de advertencia de seguridad y de la palabra "PELIGRO" o "ADVERTENCIA". Estas palabras significan:

 **PELIGRO**

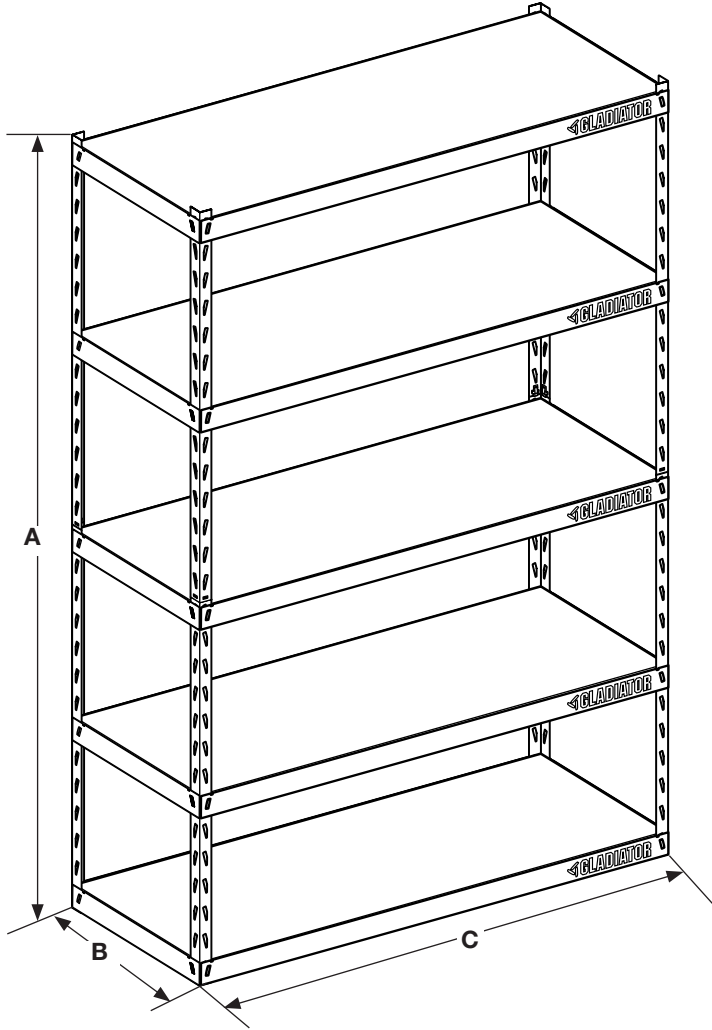
Si no sigue las instrucciones de inmediato, usted puede morir o sufrir una lesión grave.

 **ADVERTENCIA**

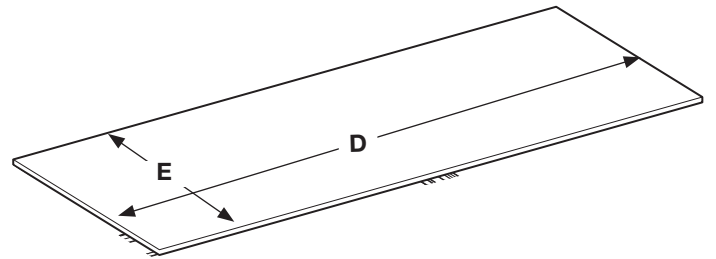
Si no sigue las instrucciones, usted puede morir o sufrir una lesión grave.

Todos los mensajes de seguridad le dirán el peligro potencial, le dirán cómo reducir las posibilidades de sufrir una lesión y lo que puede suceder si no se siguen las instrucciones.

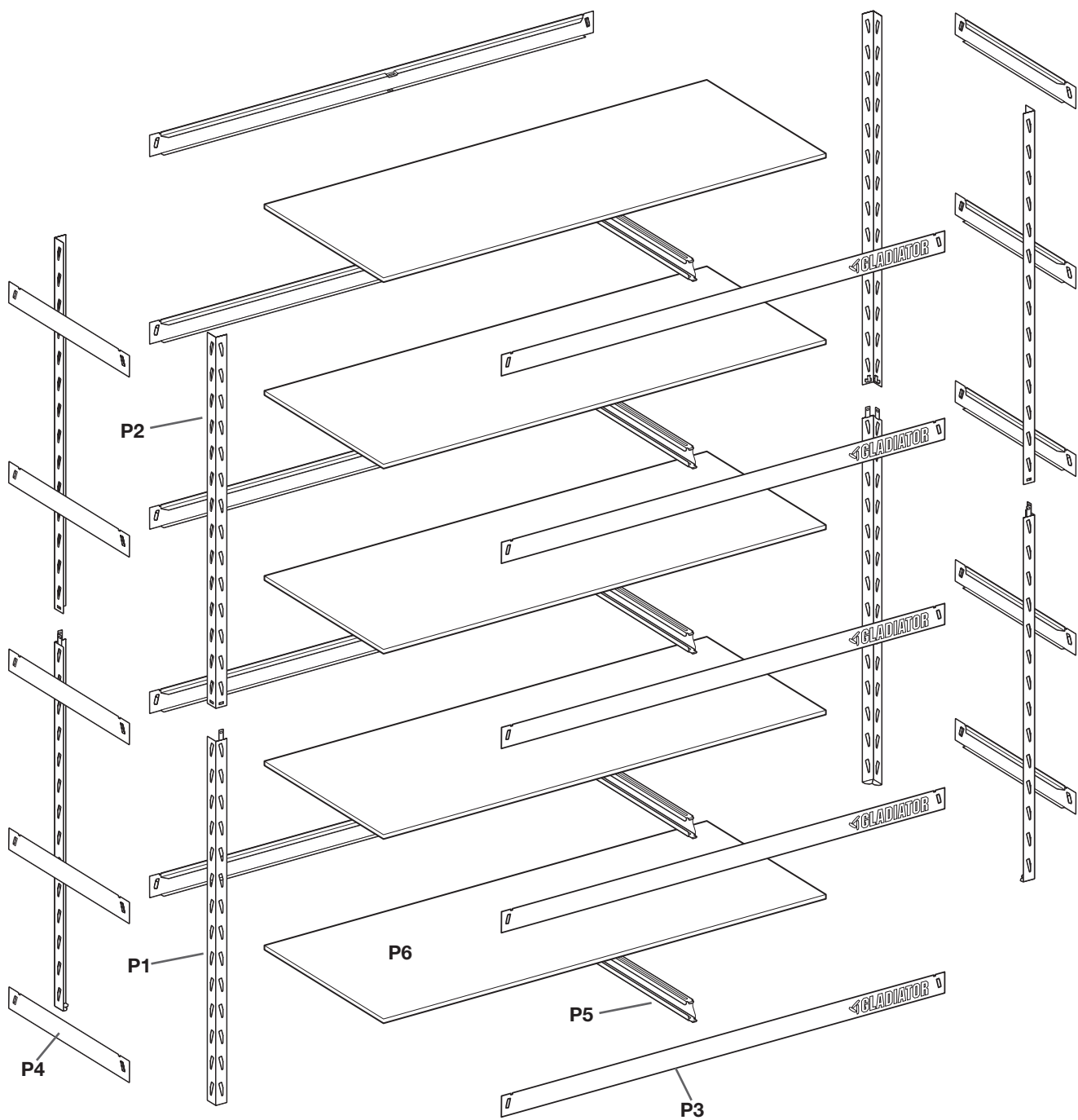
# DIMENSIONES



	GARK485X* YGRK485X*	GARK485T* YGRK485T*	GARK365T* YGRK365T*
A	72" (183 cm)	72" (183 cm)	72" (183 cm)
B	24" (61,0 cm)	18" (45,7 cm)	18" (45,7 cm)
C	48" (122 cm)	48" (122 cm)	36" (91,4 cm)
D	47" (120 cm)	47" (120 cm)	35" (89,0 cm)
E	23" (59,0 cm)	17" (43,7 cm)	17" (43,7 cm)



# PIEZAS



## CANASTA

- P1 - Postes inferiores (4)
- P2 - Postes superiores (4)
- P3 - Vigas de soporte horizontales (10)
- P4 - Vigas de soporte laterales (10)
- P5 - Soporte de canales de enlace (5)
- P6 - Estanterías laminadas (5)

**NOTA:** No se requieren herramientas para el ensamblaje

# INSTRUCCIONES DE ENSAMBLAJE

## Requisitos de uso del estante

- El límite de peso máximo es de 1,000 lb (454 kg) para cada estante; no exceda 5,000 lb (2,268 kg) para la unidad de estantería completa.

## ⚠ ADVERTENCIA

### Peligro de Peso Excesivo

Use dos o más personas para mover la estantería.

No seguir esta instrucción puede ocasionar una lesión en la espalda u otro tipo de lesiones.

## Desempaquete

**NOTA:** Use a 1 persona para ensamblar el estante y 2 para moverlo.

1. Desempaquete y verifique el contenido. Consulte la sección "Piezas" para familiarizarse con las piezas.
2. Deseche o recicle todos los materiales de empaque.

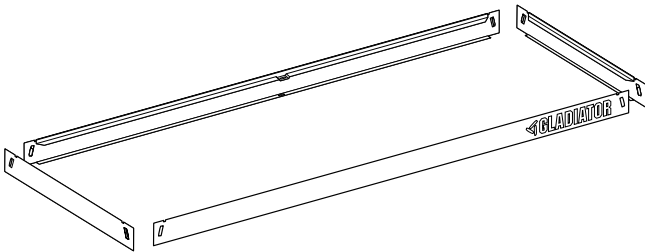
## Ensamble y complete

- No se requieren herramientas.
- Una sola persona puede realizar el ensamblaje.

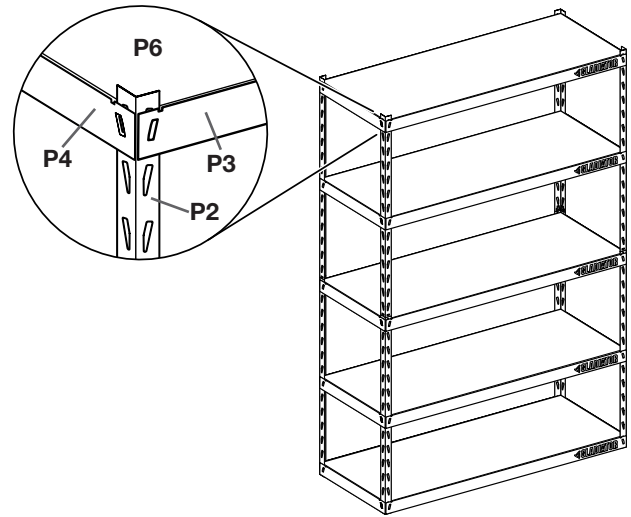
### IMPORTANTE:

- Determine el espacio disponible antes de ensamblar.  
**NOTA:** Se recomienda dejar un espacio equivalente entre los estantes desde la parte superior a la inferior y construir desde abajo hacia arriba. Vea la ilustración "Marcos/vigas de soporte".
- Antes del ensamblaje, consulte el autoadhesivo en la parte interna de una de las vigas de soporte laterales P4 y registre el modelo y número de serie que aparecen en la página de garantía incluida. Registrar el producto tiene muchos beneficios. Obtenga más información y registre el producto en línea en [www.gladiatorgarageworks.com](http://www.gladiatorgarageworks.com).

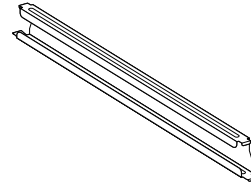
### Orientación de las vigas de soporte



### Marcos/vigas de soporte



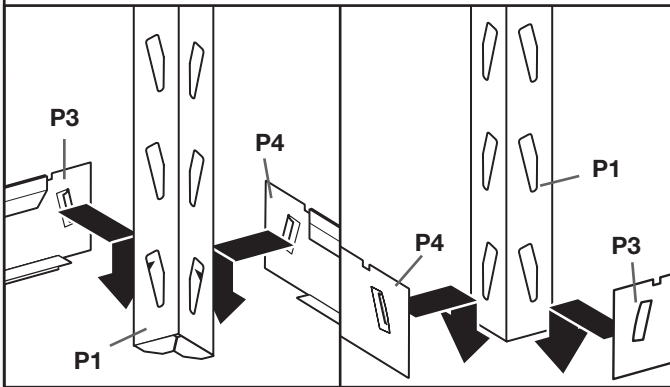
### Canales de enlace de soporte



### NOTAS:

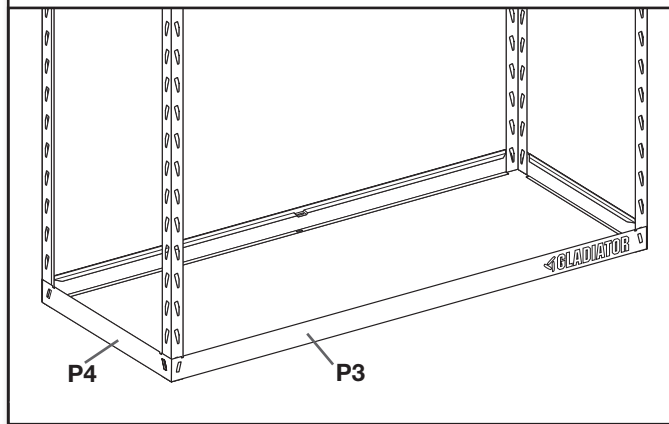
- Se recomienda poner vigas en las hendiduras 1, 8, 14, 21, y 28 (contando de abajo hacia arriba). Para mantener el estante equilibrado, mantenga 3 de las estanterías en la mitad inferior del estante.
- Todas las vigas de soporte necesarias deben estar a la misma altura o no se ensamblarán correctamente.
- Durante el ensamblaje, presione firmemente todas las vigas de soporte laterales y horizontales (P3 y P4) para garantizar que estén instaladas adecuadamente en las ranuras de los postes superior e inferior.

## 1. Fije las vigas de soporte al poste inferior



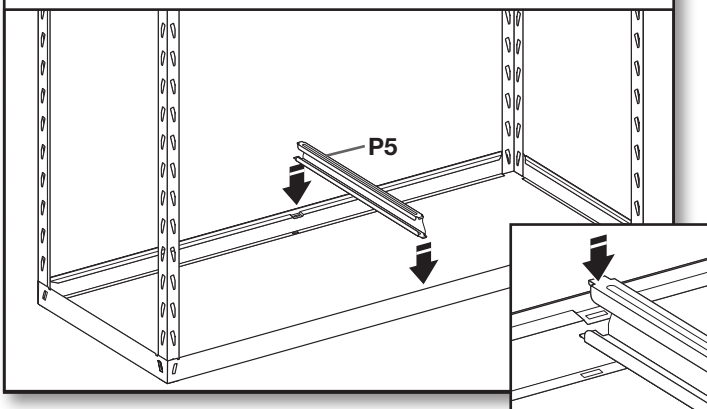
Use el poste inferior (P1) y fije la viga de soporte horizontal (P3) por el frente, y fije la viga de soporte lateral (P4) en el otro lado. Inserte las vigas horizontal y lateral en la parte superior de las ranuras de los postes verticales, y empújelas hacia abajo después de encajarlas. Esto le entregará soporte mientras fija más estanterías. Ahora ensambló una esquina.

## 2. Ensamble la parte inferior



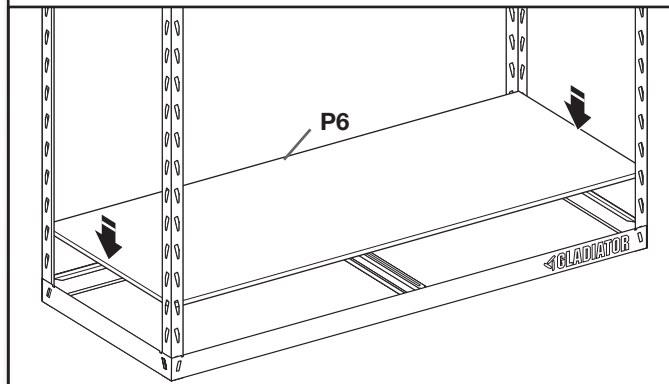
Repita el paso 1 para ensamblar las tres esquinas restantes, con lo que se completa la estantería inferior. Asegúrese de presionar firmemente todas las vigas de soporte laterales y horizontales (P3 y P4) para garantizar que estén instaladas adecuadamente en los postes superior e inferior.

## 3. Agregue una fijación por canal de enlace



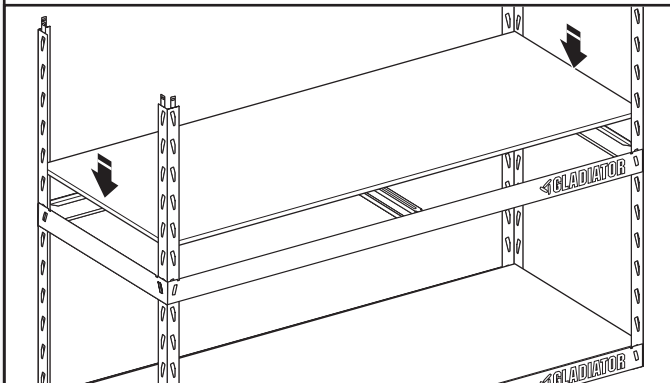
Agregue una fijación por canal de enlace (P5) en la parte inferior del marco. Gírela hasta su lugar ANTES de poner las pestañas en la ranura.

## 4. Agregue la primera estantería



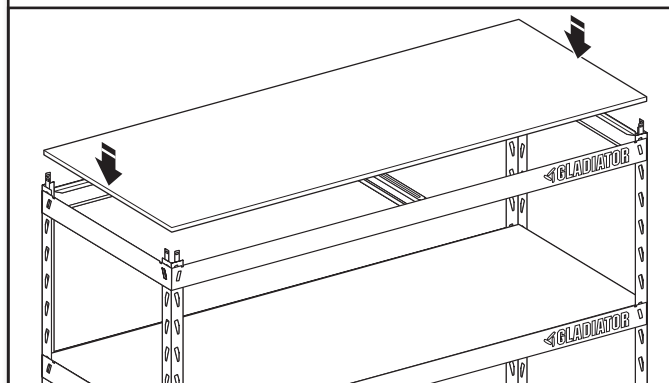
Agregue la estantería laminada en la parte inferior del marco. Ponga la estantería laminada cuidadosamente en las vigas y la fijación por canal de enlace.

## 5. Ensamble la segunda estantería



Repita los pasos 1 y 2. Se recomienda que agregue una sección en la hendidura 8 desde la parte inferior del poste. Agregue las vigas de soporte horizontal y lateral. Agregue una fijación por canal de enlace y la estantería.

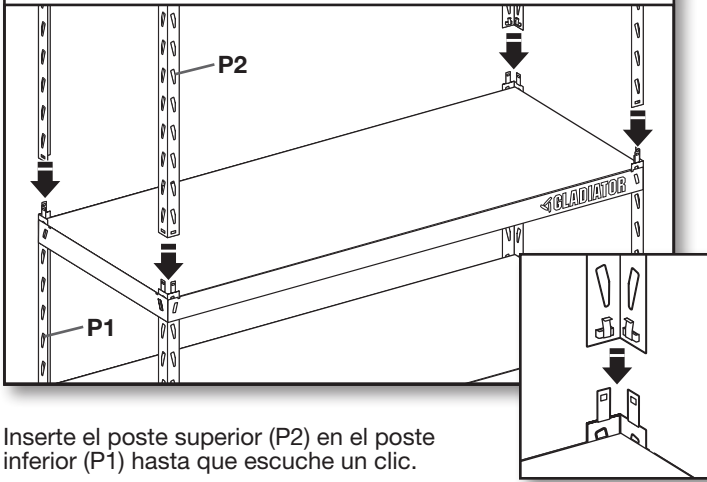
## 6. Ensamble la tercera estantería



Repita los pasos 1 y 2. Se recomienda que agregue una sección en la hendidura 14 desde la parte inferior del poste. Agregue las vigas de soporte horizontal y lateral. Agregue una fijación por canal de enlace y la estantería.

**NOTA:** Se recomienda que agregue 3 estanterías en la mitad inferior del estante para dar mayor soporte. Asegúrese de instalar las estanterías antes del siguiente paso.

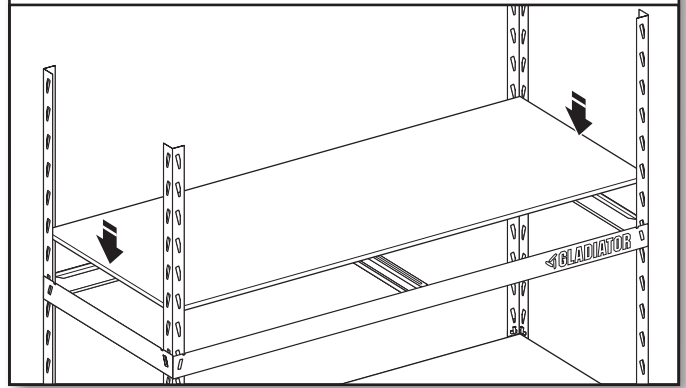
## 7. Agregue el poste superior



Inserte el poste superior (P2) en el poste inferior (P1) hasta que escuche un clic.

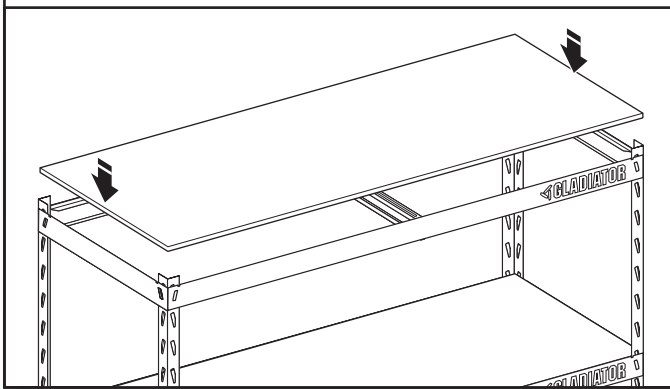
**NOTA:** Los postes pueden parecer sueltos hasta que complete el paso 8.

## 8. Ensamble la cuarta estantería



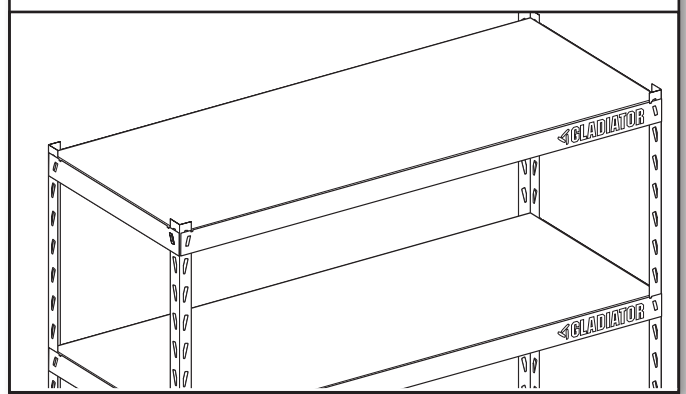
Repita los pasos 1 y 2. Se recomienda que agregue una sección en la hendidura 8 desde la parte superior del poste. Agregue las vigas de soporte horizontal y lateral. Agregue una fijación por canal de enlace y la estantería.

## 9. Ensamble la quinta estantería



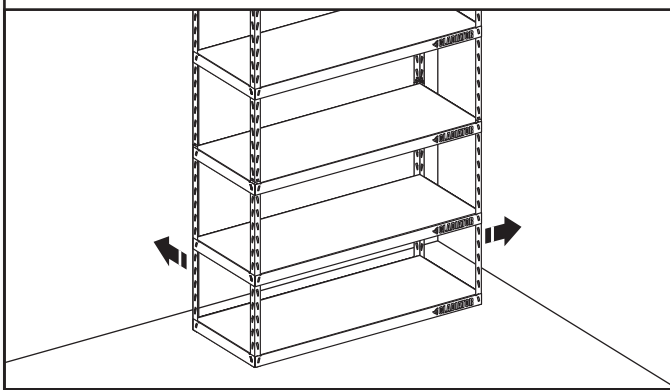
Repita los pasos 1 y 2. Se recomienda que agregue una sección en la parte superior del poste. Agregue las vigas de soporte horizontal y lateral. Agregue una fijación por canal de enlace y la estantería.

## 10. Revise todas las vigas y los canales de enlace



Verifique que todas las vigas y los soportes de canales de enlace estén ensamblados adecuadamente y descansen firmemente en las ranuras superior e inferior del poste.

## 11. Mover las estanterías



Entre dos personas, mueva el estante a su ubicación definitiva.

# ESTANTERÍA GLADIATOR® GARAGEWORKS EZ CONNECT GARANTÍA LIMITADA

ADJUNTE SU RECIBO AQUÍ. SE REQUIERE UN COMPROBANTE DE COMPRA PARA OBTENER SERVICIO BAJO LA GARANTÍA.

Tenga disponible la siguiente información cuando llame al Centro de eXperiencia del cliente:

- Nombre, dirección y número de teléfono
- Número de modelo y de serie
- Una descripción clara y detallada de problema
- Comprobante de compra que incluya nombre y dirección del distribuidor o minorista

## SI NECESITA SERVICIO:

1. Antes de contactarnos para organizar la visita del servicio técnico, determine si su producto requiere reparación. Algunas dudas pueden resolverse sin servicio técnico. Tómese unos minutos para revisar las instrucciones o visite [www.gladiatorgarageworks.com](http://www.gladiatorgarageworks.com).
2. Todo servicio técnico dentro de la garantía es provisto exclusivamente por nuestros Proveedores de Servicio Técnico autorizados de Gladiator®. En EE. UU. y Canadá, dirija todas las solicitudes de servicio técnico dentro de la garantía a:

**Centro para la eXperiencia del cliente de Gladiator® GarageWorks**

**En los EE. UU., llame al 1-866-342-4089. En Canadá, llame al 1-800-807-6777.**

Si se encuentra fuera de los 50 estados de Estados Unidos o de Canadá, póngase en contacto con su distribuidor autorizado de Gladiator® GarageWorks para determinar si corresponde otra garantía.

## GARANTÍA LIMITADA DE DIEZ AÑOS

### QUÉ ESTÁ CUBIERTO

#### GARANTÍA LIMITADA DE UN AÑO

Durante un año desde la fecha de compra, cuando este producto se instale, opere y mantenga de acuerdo con las instrucciones que se adjuntan o se proporcionan con el producto, la marca Gladiator® GarageWorks de Whirlpool Corporation o Whirlpool Canada LP (de aquí en adelante "Gladiator") pagará las piezas de repuesto especificadas por la fábrica y la mano de obra de reparación para corregir defectos en los materiales o la fabricación que existieran cuando este producto se compró, o bien, a su exclusivo criterio, reemplazará el producto. En caso de reemplazo del producto, su producto tendrá garantía durante el plazo restante del período de garantía de la unidad original.

#### GARANTÍA LIMITADA DEL SEGUNDO AL DÉCIMO AÑO (ÚNICAMENTE PIEZAS METÁLICAS DE LA ESTANTERÍA; NO SE INCLUYE LA MANO DE OBRA)

Del segundo al décimo año desde la fecha de compra original, cuando este producto se instale, opere y mantenga de acuerdo con las instrucciones que se adjuntan o se proporcionan con el producto, Gladiator® GarageWorks pagará por secciones de estantería metálica de reemplazo especificadas por la fábrica para corregir defectos no estéticos en los materiales o la mano de obra en una pieza que impidan el funcionamiento de la estantería EZ Connect y que existieran cuando este producto fuera comprado. Esta garantía limitada de 10 años es únicamente para la estantería metálica y no incluye otras piezas ni mano de obra.

SU ÚNICO Y EXCLUSIVO RECURSO SEGÚN LOS TÉRMINOS DE ESTA GARANTÍA LIMITADA SERÁ EL REEMPLAZO DEL PRODUCTO O LAS PIEZAS A NUESTRO CRITERIO SEGÚN SE ESTIPULA EN LA PRESENTE. El servicio debe ser suministrado por un proveedor de servicio autorizado por Gladiator. Esta garantía limitada es válida solo en Estados Unidos o en Canadá y se aplica únicamente cuando el producto se use en el país en el que se compró. Esta garantía limitada está en vigencia a partir de la fecha de la compra del consumidor original. Se requiere una prueba de la fecha de compra original para obtener servicio bajo esta garantía limitada.

### QUÉ NO ESTÁ CUBIERTO

1. Las visitas de servicio técnico para corregir la instalación de cualquier producto Gladiator® o para darle instrucciones sobre el modo de usarlo o instalarlo.
2. Daños causados por mal manejo o envío de productos, productos dañados por accidente, uso indebido, abuso, incendio, inundación, instalación incorrecta, actos fortuitos, negligencia, corrosión, modificación o maltrato.
3. Costo de envío o flete para entregar productos de repuesto o para devolver productos defectuosos.
4. Piezas de repuesto especificadas por la fábrica o el producto cuando el producto tenga un uso que no sea el normal doméstico unifamiliar, como en un entorno comercial, o se manipule de alguna manera no coherente con las instrucciones de instalación que se incluyen con el producto.
5. Daños estéticos incluyendo rayaduras, golpes, abolladuras o rajaduras que no afecten la capacidad estructural o de funcionamiento del producto.
6. Piezas de repuesto o producto de reemplazo para productos Gladiator® que se usen o instalen fuera de los Estados Unidos o Canadá.
7. Gastos de viaje o de transporte para clientes que residen en áreas remotas.
8. Todos los costos de mano de obra durante el período de garantía limitada del primer año.
9. Daños producidos por una carga indebida superior a la capacidad máxima de peso especificada descrita en las instrucciones de ensamblaje que se proveen con el producto, incluida la sobrecarga de ganchos, cestas, estantes, gabinetes y otros accesorios Gladiator® utilizados con el producto.
10. Daños en el producto debidos a una exposición prolongada a la luz solar que causara deformación, decoloración, cambio de color, agrietamiento o desprendimiento o daños en el producto debidos a una interacción química que causara corrosión de la pintura o el metal.
11. Cualquier daño, separación, cuarteado, grieta o deformación de los estantes laminados después del primer año.
12. Pérdida del contenido del producto debido a robo, incendio, inundación, accidente o actos fortuitos.

**El costo de la reparación o el reemplazo bajo estas circunstancias excluidas correrá por cuenta del cliente.**

## EXCLUSIÓN DE GARANTÍAS IMPLÍCITAS

LAS GARANTÍAS IMPLÍCITAS, INCLUSO CUALQUIER GARANTÍA IMPLÍCITA DE COMERCIABILIDAD O GARANTÍA IMPLÍCITA DE ADECUACIÓN PARA UN PROPÓSITO PARTICULAR, ESTÁN LIMITADAS A **DIEZ AÑOS** O AL PERÍODO MÁS CORTO PERMITIDO POR LEY. Algunos estados y provincias no permiten la limitación de la duración de las garantías implícitas de comerciabilidad o capacidad, de modo que la limitación antes indicada quizá no le corresponda. Esta garantía le otorga derechos legales específicos y es posible que usted tenga también otros derechos que varían de un estado a otro o de una provincia a otra.

## EXCLUSIÓN DE DECLARACIONES FUERA DE LA GARANTÍA

Gladiator no hace declaraciones acerca de la calidad, durabilidad o necesidad de servicio técnico o reparación de este producto aparte de las declaraciones incluidas en esta garantía.

## LIMITACIÓN DE RECURSOS; EXCLUSIÓN DE DAÑOS INCIDENTALES Y CONSECUENTES

SU ÚNICO Y EXCLUSIVO RECURSO SEGÚN LOS TÉRMINOS DE ESTA GARANTÍA LIMITADA SERÁ EL DE LA REPARACIÓN O EL REEMPLAZO DEL PRODUCTO SEGÚN SE ESTIPULA EN LA PRESENTE. GLADIATOR NO SE RESPONSABILIZARÁ POR DAÑOS INCIDENTALES O CONSECUENTES. Algunos estados y provincias no permiten la exclusión o limitación de daños incidentales o consecuentes, de modo que estas limitaciones y exclusiones quizá no le correspondan. Esta garantía le otorga derechos legales específicos y es posible que usted tenga también otros derechos que varían de un estado a otro o de una provincia a otra.

**Guarde este manual y el recibo de ventas como referencia. Debe proporcionar prueba de compra o la fecha de instalación para obtener los servicios de la garantía.**

Escriba la siguiente información sobre su producto Gladiator® para ayudarlo de mejor manera a obtener asistencia o servicio técnico si lo necesita. Tendrá que conocer el número de modelo completo y el número de serie. Puede encontrar esta información en el modelo y la etiqueta de serie ubicada en la parte trasera del producto.

Nombre del distribuidor \_\_\_\_\_

Dirección \_\_\_\_\_

Número de teléfono \_\_\_\_\_

Número de modelo \_\_\_\_\_

Número de serie \_\_\_\_\_

Fecha de compra \_\_\_\_\_