

Panasonic®

Owner's Manual Commercial Microwave Ovens Model No. NE-1025F



Before operating this oven, please read these instructions completely.

© Panasonic Appliances Microwave Oven (Shanghai) Co., Ltd. 2015

TABLE OF CONTENTS

PRECAUTIONS TO AVOID POSSIBLE EXPOSURE TO EXCESSIVE MICROWAVE ENERGY	3
IMPORTANT SAFETY INSTRUCTIONS	3
Installation and Grounding Instructions	4
Safety Precautions	5
How Does the Microwave Work?	6
Outline Diagram	7
How to Operate	7
Microwave Cooking Guide	8
Care of Your Microwave Oven	8
Technical Specifications	9

Owner's Record

Model No. _____

Serial No. _____

The serial number of this product may be
found on the side of the oven.

Date of Purchase _____

Dealer's Name _____

Dealer's Address _____

Toll Free

Service Information

To locate a convenient service agent call

1-888-350-9590

Chef Support: 201-348-7305

www.panasonic.com/cmo

Virtual Test Kitchens

IMPORTANT SAFETY INSTRUCTIONS

Your microwave oven is a cooking device and you should use as much care as you use with a stove or any other cooking device.

When using this electric appliance, basic safety precautions should be followed, including the following:

WARNING—To reduce the risk of burns, electric shock, fire, injury to persons or exposure to excessive microwave energy:

1. Read all instructions before using the appliance.
2. Read and follow the specific **"PRECAUTIONS TO AVOID POSSIBLE EXPOSURE TO EXCESSIVE MICROWAVE ENERGY,"** found at the bottom of this page.
3. This appliance must be grounded. Connect only to properly grounded outlet. See **"GROUNDING INSTRUCTIONS"** found on page 4.
4. Install or locate this appliance only in accordance with the installation instructions found on page 4.
5. Do not cover or block any openings on this appliance.
6. Do not store or use this appliance outdoors.
Do not use this product near water—for example, near a kitchen sink, in a wet basement, or near a swimming pool, and the like.
7. Use this appliance only for its intended use as described in this manual. **DO NOT** use corrosive chemicals, vapours, or non-food products in this appliance. This type of oven is specifically designed to heat or cook. It is not designed for industrial or laboratory use. The use of corrosive chemicals in heating or cleaning will damage the appliance and may result in radiation leaks.
8. When cleaning surfaces of door and oven that come together on closing the door, use only mild, non-abrasive soaps or detergents applied with a sponge or soft cloth.
9. Do not allow children to use this appliance, unless closely supervised by an adult.
10. Do not operate this appliance if it has a damaged cord or plug, if it is not working properly, or if it has been damaged or dropped.
11. Do not immerse cord or plug in water.
12. Keep cord away from heated surfaces.
13. Do not let cord hang over edge of a table or counter.
14. This appliance should be serviced only by qualified service personnel. Contact the nearest authorized servicentre for examination, repair or adjustment.
15. Some products such as whole eggs, narrow neck bottles and sealed containers—for example, closed glass jars - may explode and should not be heated in this oven.
16. To reduce the risk of fire in the oven cavity:
 - (a) Do not overcook food. Carefully attend appliance if paper, plastic, or other combustible materials are placed inside the oven to facilitate cooking.
 - (b) Remove wire twist-ties from paper or plastic bags before placing bag in oven.
 - (c) **If materials inside the oven should ignite, keep oven door closed, turn oven off, and disconnect the power cord, or shut off power at the fuse or circuit breaker panel.**
 - (d) Do not use the cavity for storage purposes.
Do not leave paper products, cooking utensils, or food in the cavity when not in use.

SAVE THESE INSTRUCTIONS

For proper use of your oven read remaining safety cautions and operating instructions.

PRECAUTIONS TO AVOID POSSIBLE EXPOSURE TO EXCESSIVE MICROWAVE ENERGY

- (a) **Do not attempt to operate this oven with the door open** since open-door operation can result in harmful exposure to microwave energy. It is important not to defeat or tamper with the safety interlocks.
- (b) **Do not place any object between the oven front face and the door,** or allow soil or cleaner residue to accumulate on sealing surfaces.
- (c) **Do not operate the oven if it is damaged.** It is particularly important that the oven door close properly and that there is no damage to the:
 - (1) door (bent)
 - (2) hinges and latches (broken or loosened)
 - (3) door seals and sealing surfaces.
- (d) **The oven should not be adjusted or repaired** by anyone except properly qualified service personnel.

INSTALLATION AND GROUNDING INSTRUCTIONS

Examine Your Oven

Unpack oven, remove all packing material, and examine the oven for any damage such as dents, broken door latches or cracks in the door. Notify dealer immediately if oven is damaged. **DO NOT** install if oven is damaged.

Remove Protective Plastic Film

If a plastic film has been wrapped around the oven to protect the painted finish from scratching during shipping, please remove this plastic film prior to using the oven. (However, all ovens do not have plastic film wrapping.)

Placement of Oven

1. Oven must be placed on a flat, stable surface. For proper operation, the oven must have sufficient air flow. Allow 3-inches of space on both sides of the oven and 1-inch of space on top of oven.
 - a. **DO NOT** block air vents. If they are blocked during operation, the oven may overheat. If the oven overheats, a thermal safety device will turn the oven off. The oven will remain inoperable until it has cooled.
 - b. **DO NOT** place oven near a hot damp surface such as a gas or electric range.
 - c. **DO NOT** operate oven when room humidity is too high.

Grounding Instructions

This appliance must be grounded. In the event of an electrical short circuit, grounding reduces the risk of electric shock by providing an escape wire for the electric current. This appliance is equipped with a cord having a grounding wire with a grounding plug. The plug must be plugged into an outlet that is properly installed and grounded.

WARNING—Improper use of the grounding plug can result in a risk of electric shock.

Consult a qualified electrician or service person if the grounding instructions are not completely understood, or if doubt exists as to whether the appliance is properly grounded.

If it is necessary to use an extension cord, use only a three wire extension cord that has a three blade grounding plug, and a three slot receptacle that will accept the plug on the appliance. The marked rating of the extension cord should be equal to or greater than the electrical rating of the appliance.

Wiring Requirements

1. The oven must be plugged into at least a 15 AMP 120 VOLT, 60 Hz GROUNDED OUTLET.
Where a standard two-prong outlet is encountered, it is the personal responsibility and obligation of the user to have it replaced with a properly grounded three-prong outlet (Fig. 1).

Fig. 1



2. The oven must be on a SEPARATE CIRCUIT. No other appliance should share the circuit with the microwave oven. If it does, the branch circuit fuse may blow, or the circuit breaker may trip or the food may cook slower than the times recommended in this manual.
3. The Voltage used must be the same as specified on this microwave oven (120 V). Using a higher Voltage is dangerous and may result in a fire or other accident causing oven damage. Using a lower Voltage will cause slow heating. Panasonic is **NOT** responsible for damage resulting from the use of the oven with other than specified Voltage.

Safety Precautions

General Use

1. **DO NOT** tamper with or make any adjustments or repairs to door, control panel housing, safety interlock switches or any other part of the oven. **Do NOT** remove outer panel from oven. Repairs should only be done by a qualified service person.
2. **DO NOT** operate the oven if empty. The microwave energy will reflect continuously throughout the oven causing overheating, if no food or water is present to absorb energy. This could damage the oven and result in a risk of fire.
3. If a fire occurs in the oven, turn the timer to the "0" position and LEAVE DOOR CLOSED.
Disconnect the power cord, or shut off power at the fuse or circuit breaker panel.
4. **DO NOT** dry clothes, newspapers or other materials in oven or use newspapers or paper bags for cooking. Fire could result.
5. **DO NOT** use recycled paper products unless the paper product is labelled as safe for microwave oven use. Recycled paper products may contain impurities which may cause sparks, and result in fires when used.
6. **DO NOT** hit or strike control panel. Damage to controls may occur.
7. **POT HOLDERS** should always be used when removing items from the oven. Heat is transferred from the **HOT** food to the heating container.
8. **DO NOT** store flammable materials next to, on top of, or in the oven. It could be a fire hazard.

Utensils

Use only containers and materials specified by their manufacturers to be for microwave use.

1. METAL CONTAINERS or dishes with metallic trims should **NOT** be used. Arcing may occur.
2. METAL TWIST-TIES may **NOT** be used in the microwave oven.
3. **DO NOT** use SEALED JARS or NARROW NECK bottles for cooking or reheating. They may shatter.
4. **DO NOT** use CONVENTIONAL THERMOMETERS in the microwave oven. They may cause arcing.
5. Remove PLASTIC STORE WRAPS, before heating in the oven.
6. When using foil, skewers, warming rack or utensils made of metal in the oven allow at least one inch of space between metal material and interior oven walls. If arcing (sparking) occurs remove metal material (skewers, etc.) and/or transfer to a nonmetallic container.

Food

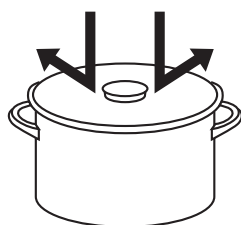
1. It is better to UNDERHEAT RATHER THAN OVERHEAT foods. If food is underheated, it can always be returned to the oven for further heating. If food is overheated, nothing can be done. Always start with minimum heating times. Follow USDA guidelines for heating food safety.
2. SMALL QUANTITIES of food or foods with LOW MOISTURE content can burn, dry out or catch on fire if heated too long.
3. Microwave popcorn which pops in its own package is available. Each brand of microwave popcorn recommends that their popcorn be used in microwave ovens listed at a specific wattage. For example: "Use in a microwave oven 600 Watts or greater", or "Tested in microwaves of 450 to 1000 Watts." Follow popcorn manufacturer's directions and use a brand suitable for at least a 650 Watts microwave oven.
4. Do not attempt to deep fat fry in your microwave oven.
5. Do not boil eggs in their shell in a microwave oven. Pressure will build up and the eggs will explode.
6. Potatoes, apples, egg yolks, whole acorn squash and sausages are examples of foods with nonporous skins. These types of foods must be pierced before cooking, to prevent bursting.
7. Liquids can become "superheated" in a microwave, and when the container is moved in any way, the **superheated liquids can "explode" out of the container.** "Superheated" water is hotter than boiling water, EVEN THOUGH IT DOES NOT APPEAR TO BUBBLE. To reduce the possibility of this occurrence: **Always make sure that liquids are stirred vigorously** before heating to assure that the liquid is mixed with air. NEVER HEAT LIQUIDS FOR AN EXCESSIVE LENGTH OF TIME.
8. Do not use paper towels or cloths which contain a synthetic fiber woven into them, such as nylon. The synthetic fiber may cause the towel or cloth to ignite.
9. Do not use the oven for any reason other than the preparation of food.
10. Your oven is equipped with a protective device designed to turn the unit off in the event of overheating. The oven will automatically reset itself after it has cooled. (approx. 30~60 min.)

How Does The Microwave Work?

Microwaves are a form of high frequency radio waves similar to those used by a radio including AM; FM and CB. They are, however, much shorter than radio waves; approximately five inches long. Electricity is converted into microwave energy by the magnetron tube. From the magnetron tube, microwave energy is transmitted and absorbed.

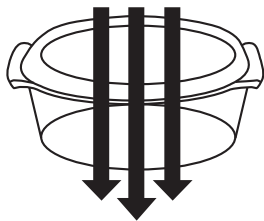
Reflection

Microwaves are reflected by metal just as a ball is bounced off a wall. A combination of stationary (interior walls) and rotating antenna, located underneath the bottom shelf assure that the microwaves are well distributed within the oven cavity to produce even heating or cooking of foods.



Transmission

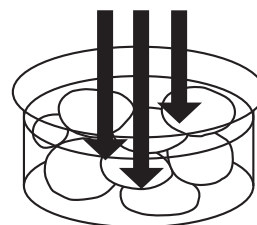
Microwaves pass through some materials such as paper, glass and plastic much like sunlight shining through a window. Because these substances do not absorb or reflect the microwave energy, they are ideal materials for microwave oven heating containers.



Absorption

During heating, microwaves will be absorbed by food. They penetrate to a depth of about $\frac{3}{4}$ to $1\frac{1}{2}$ -inches. Microwave energy excites the molecules in the food (especially water, fat and sugar molecules), and causes them to vibrate at a rate of 2,450,000,000 times per second. This vibration causes friction, and heat is produced just as you will feel heat produced if you vigorously rub your hands together. The internal heating of larger foods is done by conduction. The heat which is produced by friction on the surface travels by conduction to the center of the food. Foods also continue to heat by conduction during standing time.

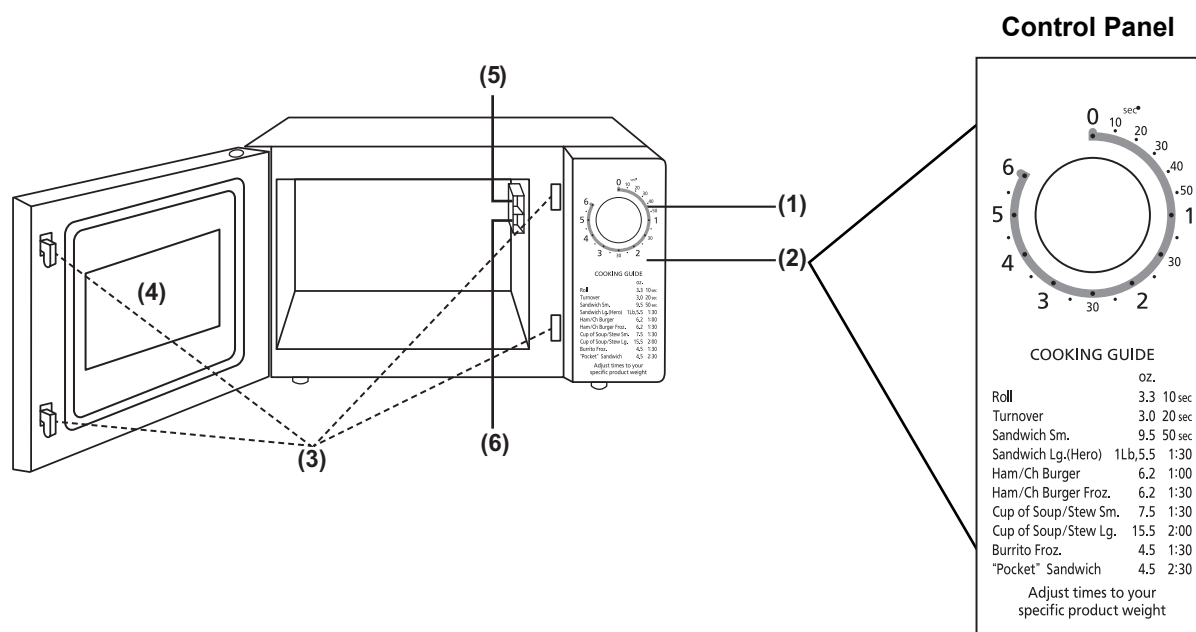
Because microwaves dissipate, much like sunlight as it reaches the Earth's surface, they are not stored in food.



TV / Radio / Wireless Equipment Interference

1. Operation of the microwave oven may cause interference to your radio, TV, Wi-Fi, cordless telephone, baby monitor, blue tooth, or other wireless equipment.
2. When there is interference, it may be reduced or eliminated by taking the following measures:
 - a. Clean door and sealing surfaces of the oven. See Care of Your Microwave Oven found on page 8.)
 - b. Place the radio, TV, etc, away from the microwave oven as far as possible.
 - c. Use a properly installed antenna, to obtain stronger signal reception.

Outline Diagram



- | | |
|-----------------------------|---------------------------------|
| (1) Timer | (4) Oven Window |
| (2) Control Panel | (5) Oven Lamp |
| (3) Door Safety Lock System | (6) Splash Guard/Light Diffuser |

How to Operate

1. Make sure unit is plugged into a dedicated three-prong grounded 120 V circuit.
2. Open the door. PLACE CONTAINER OF FOOD in the oven.
3. CLOSE THE DOOR securely.
4. SET A DESIRED HEATING TIME.
 - MICROWAVE HEATING BEGINS.

Note:

- 1) If a time is not selected after closing the door, after 15 seconds, the timer will go blank. Please open the door and confirm that food is in the cavity. Close the door and reset the heating time.
- 2) Timer cannot be set with the door open. Door must be closed in order to set timer.
- 3) If the door is opened, the heating process will stop automatically and the timer will reset. To continue heating, close the door and reset the cooking time.
 - If you wish to change the time during heating, simply adjust the timer to desired minutes.
- 4) A sound will notify the operator that heating has completed and turn the oven off.
 - The oven light will turn off at this point.

Microwave Cooking Guide

FOOD	WEIGHT	TIME	DIRECTIONS
Roll	3.3 oz.	10 sec	Remove plastic wrapper and place on a microwave safe dish.
Turnover	3.0 oz.	20 sec	Remove plastic wrapper and place on a microwave safe dish.
Sandwich Small	9.5 oz.	50 sec	Remove plastic wrapper and place on a microwave safe dish.
Sandwich Large (Hero)	1 Lb, 5.5 oz.	1 min 30 sec	Remove plastic wrapper and place on a microwave safe dish.
Hamburger/Cheese Burger	6.2 oz.	1 min	Remove plastic wrapper and place on a microwave safe dish.
Hamburger/Cheese Burger Frozen	6.2 oz.	1 min 30 sec	Remove plastic wrapper and place on a microwave safe dish.
Cup of Soup/Stew Small	7.5 oz.	1 min 30 sec	Remove plastic wrapper and place on a microwave safe dish. Stir after heating.**
Cup of Soup/Stew Large	15.5 oz.	2 min	Remove plastic wrapper and place on a microwave safe dish. Stir after heating.**
Burrito Frozen	4.5 oz	1 min 30 sec	Remove plastic wrapper and place on a microwave safe dish.
"Pocket" Sandwich	4.5 oz	2 min 30 sec	Remove plastic wrapper and place on a microwave safe dish. Use browning sleeve if included.

** If in a microwave safe package, follow package directions.

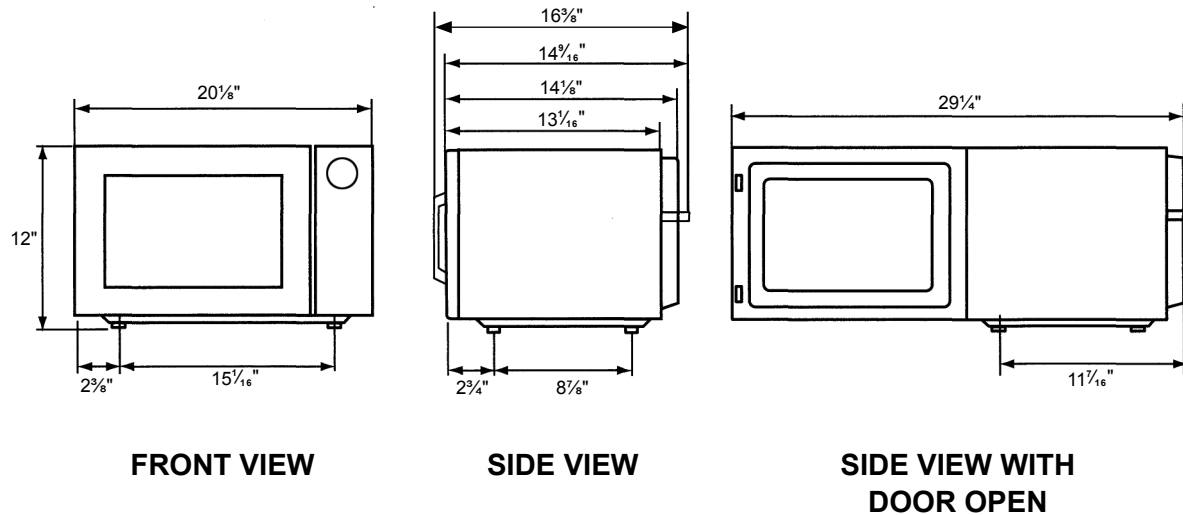
Care of Your Microwave Oven

1. Unplug the oven before cleaning.
2. Keep the inside of the oven clean. Wipe up spills immediately. If and when food splatters or spilled liquids adhere to oven walls, wipe with a damp cloth. Mild detergent may be used if the oven gets very dirty. The use of harsh detergent or abrasives is not recommended. The air intake splash guard/light diffuser can be removed for cleaning by removing the center plugs from the two plastic rivets. The top is held by two tabs. Wash in warm dishwater and replace.
3. The outside oven surfaces should be cleaned with a damp cloth. To prevent damage to the operating parts inside the oven, water should not be allowed to seep into the ventilation openings.
4. If the Control Panel becomes wet, clean with a soft, dry cloth. Do not use harsh detergents or abrasives on Control Panel. When cleaning the Control Panel, leave oven door open to prevent oven from accidentally turning on. After cleaning, make sure TIMER SELECT DIAL is set to zero position.
5. If steam accumulates inside or around the outside of the oven door, wipe with a soft cloth. This may occur when the microwave oven is operated under high humidity conditions and in no way indicates malfunction of the unit.
6. Clean off grease and dust on bottom surfaces often. Use warm detergent solution.

Technical Specifications

	NE-1025F
Power Source	120 V, 60 Hz, single phase
Required Power	13.4 A 1,500 W
Output*	1,000 W
Frequency	2,450 MHz
Outer Dimensions (W x H x D)	510 mm x 306 mm x 415 mm 20 $\frac{1}{8}$ " x 12" x 16 $\frac{3}{8}$ "
Cavity Dimensions (W x H x D)	330 mm x 205 mm x 330 mm 13" x 8 $\frac{1}{8}$ " x 13"
Net Weight	Approximately 35 lbs (16 kg)
Shipping Weight	Approximately 40 lbs (18 kg)
Timer	6 minutes Rotary with Auto Reset

*IEC Test Procedure
Specifications subject to change without notice



Panasonic Corporation of North America
Two Riverfront Plaza, Newark, NJ 07102-5490

Panasonic Appliances Microwave Oven (Shanghai) Co., Ltd.
Web Site: <http://panasonic.net>

F0003BS70AP
PA0315-0
Printed in China