

# Legacy™ STAIRLIFT II

“ I love my Legacy Stairlift for the freedom & peace-of-mind it gives me! ”



LIMITED  
**LIFETIME**  
WARRANTY



Wireless  
Remote  
Controls

# Legacy II<sup>TM</sup>

STAIRLIFT



Custom  
colored track  
and metal  
components



Caramel



Brown



Gray



Black

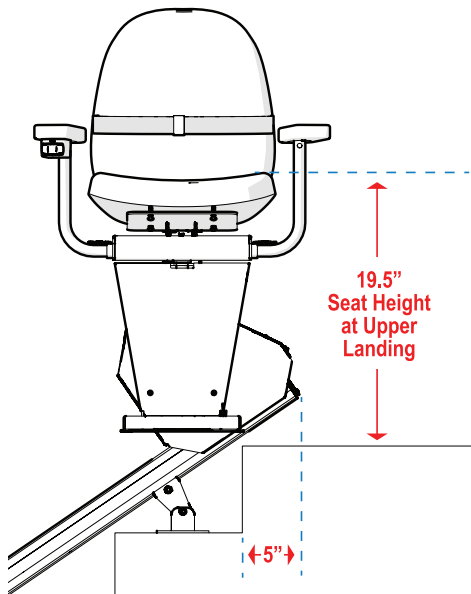
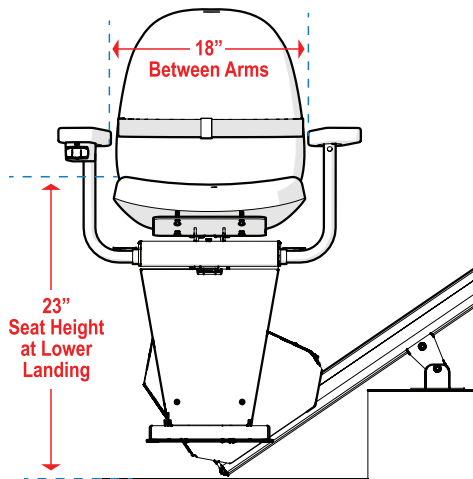
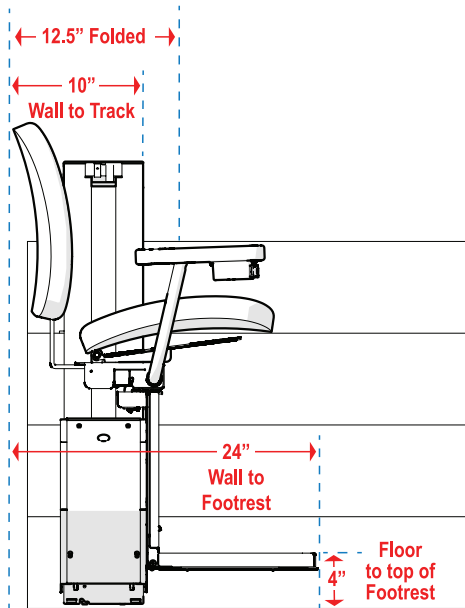
# Features:

- Folds to within 12.5" of the wall
- Attaches to steps, not the wall
- Narrow, low profile track (2.5" tall x 6.5" wide)
- Footrest obstruction sensor with audio beep notification
- Battery power allows up to 20 trips during power outages
- Full length continuous charge system with smart charge technology
- Rocker switch conveniently located on either armrest
- Constant pressure controls
- Wireless remote controls for upper & lower landings
- Chassis mounted installation load switch
- Quickly installs on left or right side of stairway
- Rack and pinion drive with concealed gear rack
- High seat back
- Low-to-the-floor footrest
- 3" to 6" horizontal extension at top landing
- 25 to 45 degree angle applications
- ETL listed ASME A17.5 / B44 and A18.1
- 350 lbs capacity
- Overspeed governor
- Proudly made in the USA!



85 degree  
swivel seat  
at top landing

# Technical Information



Dimensions subject to change without notice.

Staying Home Corporation • PO Box 37, Harrisonville, MO 64701  
 info@stayinghome.com • 877-378-4275

09.13.19

Best Warranty In The Industry!

LIMITED  
**LIFETIME**  
 WARRANTY

Lifetime to the original purchaser for:  
 MOTOR • GEAR • CIRCUIT BOARD

**2 Year** warranty on BATTERIES

**7 Year** warranty on PARTS

Outdoor package  
 includes heavy duty cover



**OUTDOOR**  
 WARRANTY

**1 Year** warranty on BATTERIES

**2 Year** warranty on PARTS

**5 Year** warranty on DRIVE TRAIN  
 & CIRCUIT BOARD