

48" Dual Fuel Range with Griddle

Model: HR 1956 DF GD / HR 1956 DF GD LP



HR 1956 DF GD / HR 1956 DF GD LP

Features:

- M Touch controls and backlit precision knobs
- ComfortLift panel
- M Pro dual stacked burner system with TrueSimmer
- M Pro infrared griddle
- ComfortClean dishwasher-safe grates
- TwinPower Convection fans
- 21 Operating modes including Self Clean
- Moisture plus
- MasterChef and MasterChef Plus automatic programs
- Wireless roast probe
- Soft Close and Soft Open
- Clean Touch Steel™ front
- Fully functional M Touch Speed Oven (Combination of Convection Oven and Microwave)
- Fully functional Warming Drawer

SPECIFICATIONS

| | |
|--|---|
| HR 1956 DF GD | Item 25195651USA |
| HR 1956 DF GD LP | Item 25195652USA |
| Overall Unit Width | 47 ¹⁵ / ₁₆ " (1217 mm) |
| Overall Height | 34 ⁹ / ₁₆ " – 36 ¹ / ₁₆ " (877.7 – 915.8 mm) |
| Overall Unit Depth to front of control panel | 26 ¹ / ₂ " (673 mm) |
| Oven Door Clearance | 22 ¹ / ₄ " (565 mm) |
| Niche | |
| Minimum Cabinet Niche Width | 48" (1219 mm) |
| Minimum Cabinet Opening Height | 35 ¹ / ₂ " – 37" (901.7 – 939.8 mm) |
| Burners (G/LP) | |
| Gas Burners: | (2) 12,500 BTU (G/LP); (4) 19,500 BTU (G/LP) |
| Griddle: | (1) 13,000 BTU (G); 14,300 BTU (LP) |
| Total BTU Output | 116,000 BTU (G); 117,300 BTU (LP) |
| Gas Line Connection | 1/2" NPT |
| Plumbing | |
| Water Supply Requirements | Connect to a cold water supply only. Must be connected to a shut-off valve. The water shut-off valve must be accessible after installation. The water pressure must be between 14.5 psi (1 bar) and may not exceed 145 psi (10 bar). If the pressure is higher than 145 psi (10 bar), a pressure reducing valve must be installed. The supplied hose has a length of 4'11" (1.5 m). The hose must not be shortened. The entire hose length must not exceed 24'7" (7.5 m). |
| Plumbed Hose Connection | Supplied hose: flexible braided 4'11" (1.5 m) with 3/8" O.D. fitting for connection to a shut off valve |
| Electrical | |
| Electrical Requirements | 120V / 240V, 60Hz, 50 Amps 120V / 208V, 60Hz, 50 Amps |
| Power Cord | Yes - NEMA 14-50 plug, 5' 11" (1.8 m) long |
| Shipping | |
| Shipping Weight | 617.3 lbs. (280 kg) |
| Shipping Dimensions | 55 ¹ / ₈ " (1400 mm) W x 52" (1,294 mm) H x 31 ¹ / ₂ " (800 mm) D |
| Support | |
| Call Miele | 800.843.7231 |
| Miele Website | ~www.mieleusa.com |
| 20/20 Link | ~2020technologies.com |

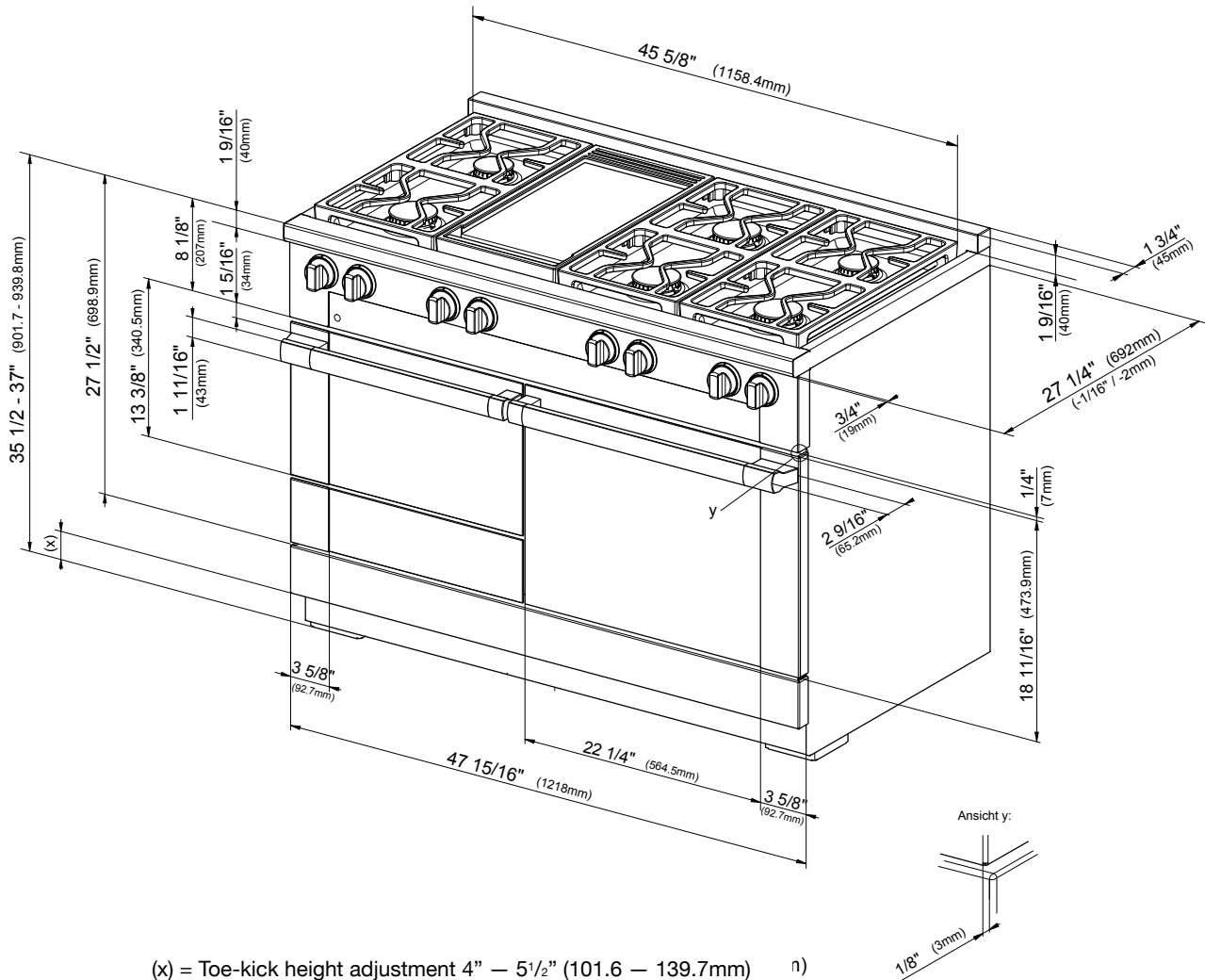
48" Dual Fuel Range with Griddle

Model: HR 1956 DF GD / HR 1956 DF GD LP



PRODUCT VIEWS

Isometric



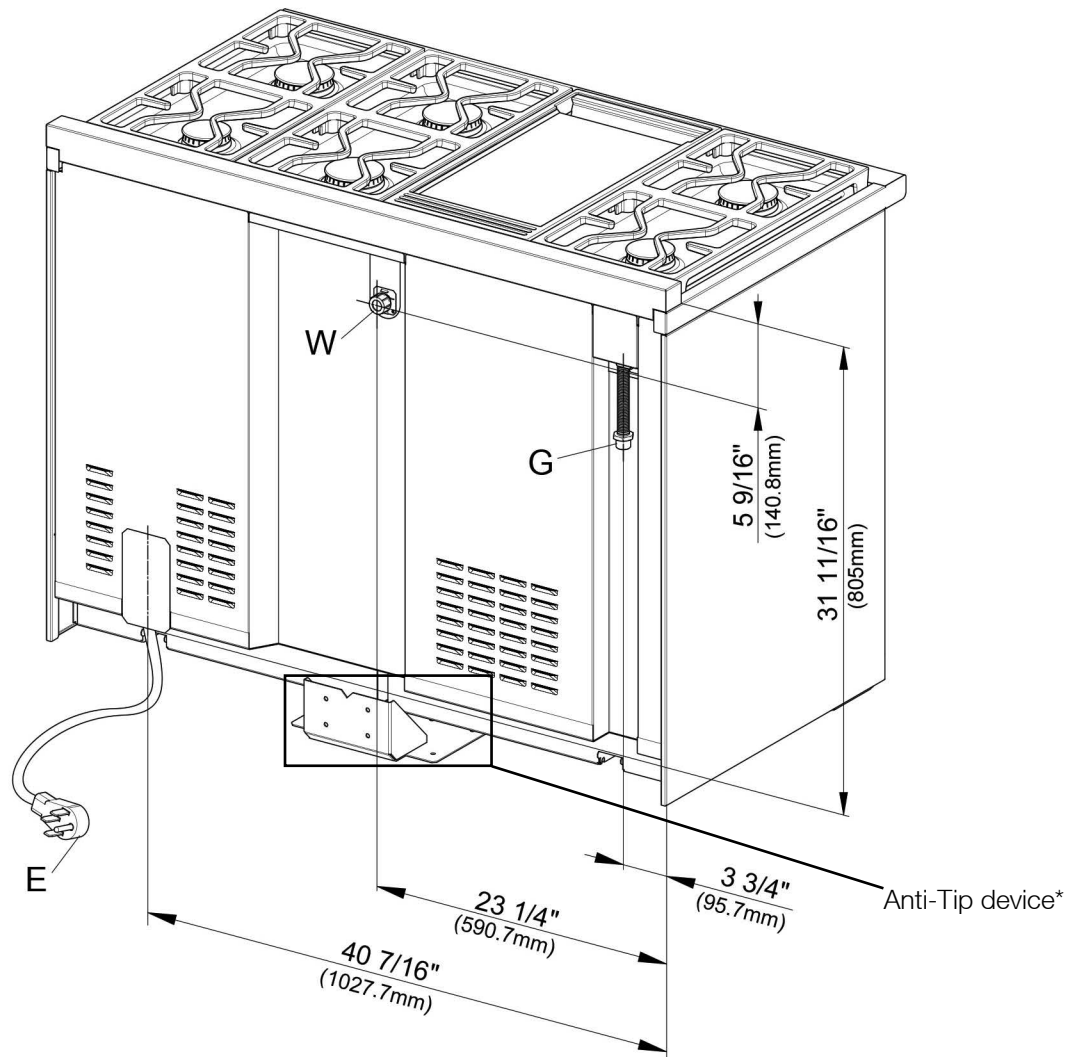
48" Dual Fuel Range with Griddle

Model: HR 1956 DF GD / HR 1956 DF GD LP



PRODUCT VIEWS

Rear View



E = Electrical connection

W = Plumbing

G = Gas connection

*Anti-tip device must be fastened securely in place to all studs or floor. Please refer to the Anti-tip device section in the installation manual for further details.

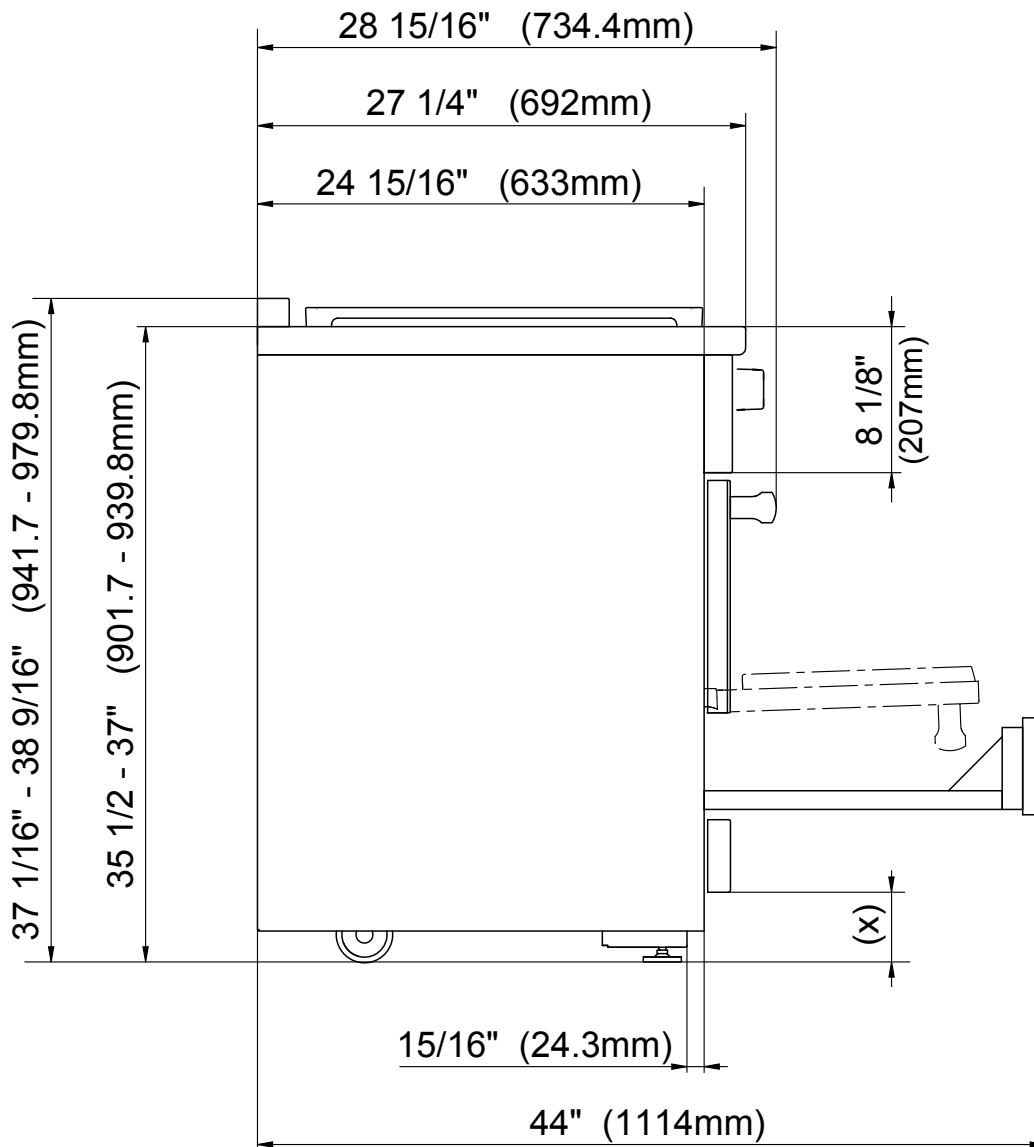
48" Dual Fuel Range with Griddle

Model: HR 1956 DF GD / HR 1956 DF GD LP



PRODUCT VIEWS

Detailed Speed Oven With Warming
Drawer Side View



(x) = Depending on the appliance height adjustment: 4" - 5 1/2" (101.6 mm - 139.7 mm)

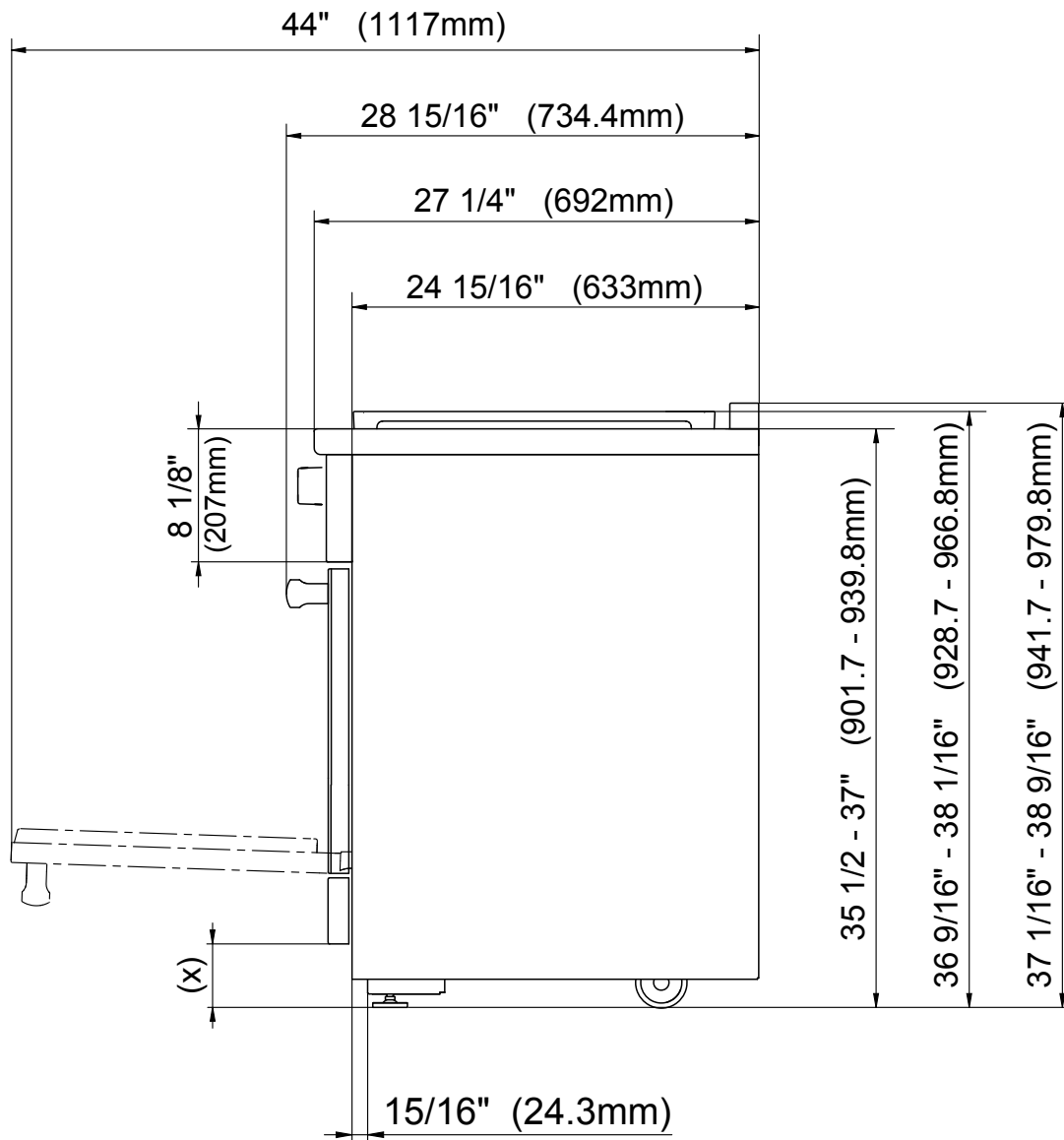
48" Dual Fuel Range with Griddle

Model: HR 1956 DF GD / HR 1956 DF GD LP



PRODUCT VIEWS

Detailed Convection Oven Side View



(x) = Depending on the appliance height adjustment: 4" - 5 1/2 " (101.6 mm - 139.7 mm)

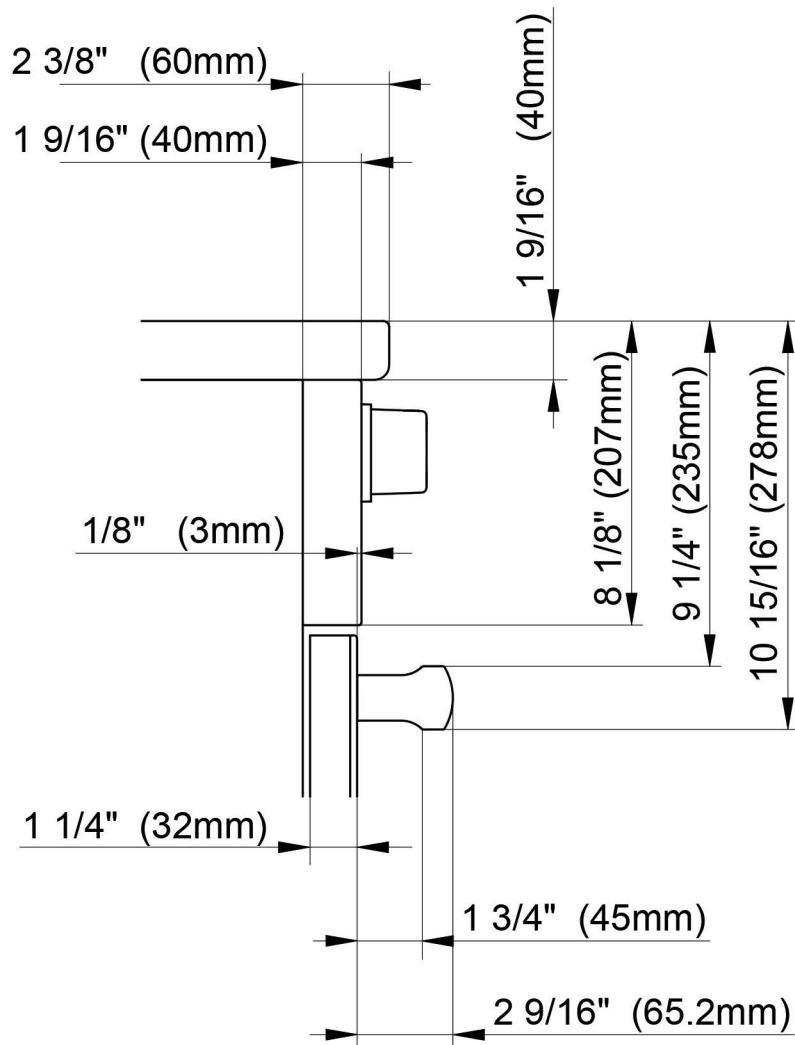
48" Dual Fuel Range with Griddle

Model: HR 1956 DF GD / HR 1956 DF GD LP



PRODUCT VIEWS

Detailed Bullnose and Handel View



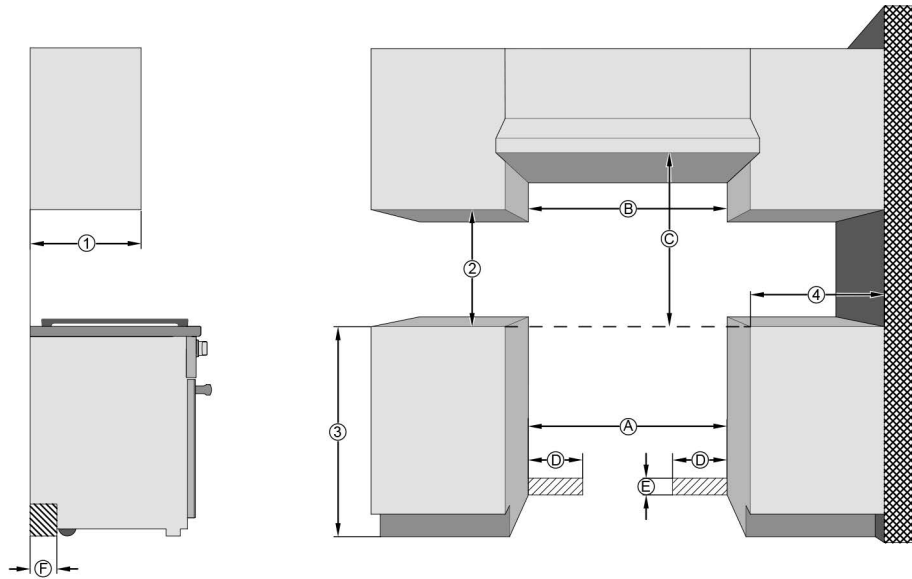
48" Dual Fuel Range with Griddle

Model: HR 1956 DF GD / HR 1956 DF GD LP



PRODUCT VIEWS

Cabinet View



Ⓑ In case of combustible construction, an additional minimum clearance of 6" (each side) is necessary.

| Position | Dimension | Description | |
|----------|--|--|-----------------------------|
| ① | 13" (330 mm) | Maximum depth of top cabinet | |
| ② | 18" (457 mm) | Minimum distance to bottom edge of top cabinet | |
| ③ | 35 1/2"–37" (901 - 940 mm) | Distance from floor to cooktop surface | |
| ④ | 10" (254 mm) | Minimum distance to combustible surfaces | |
| Ⓐ | 48" (1219 mm) | Width of cabinet opening | |
| Ⓑ | 6" + Ⓐ + 6" | In case of the presence of combustible material an additional minimum clearance of 6" (each side) is necessary. Ensure local codes are observed. | |
| Ⓒ | 37" (940 mm) | Minimum distance between the top of the cooking area and the bottom of an unprotected combustible surface. | |
| | 36" (910 mm) | Minimum distance between the top of the cooking area and the bottom of the Miele Range Hood (DAR model with DRxB XXL Blower). | |
| | For all other Hoods, please consult with manufacturer's instructions for required distances. | | |
| Ⓓ | approx. 20 1/2" (518 mm) | Maximum connection width right and left | Location of wall receptacle |
| Ⓔ | approx. 3 1/2" (90 mm) | Maximum connection height | |
| Ⓕ | approx. 2 13/16" (72 mm) | Maximum connection depth | |

The hatched areas represent the installation areas for the connections.

12" (305 mm) minimum distance is necessary from back of range to combustible rear wall above countertop.