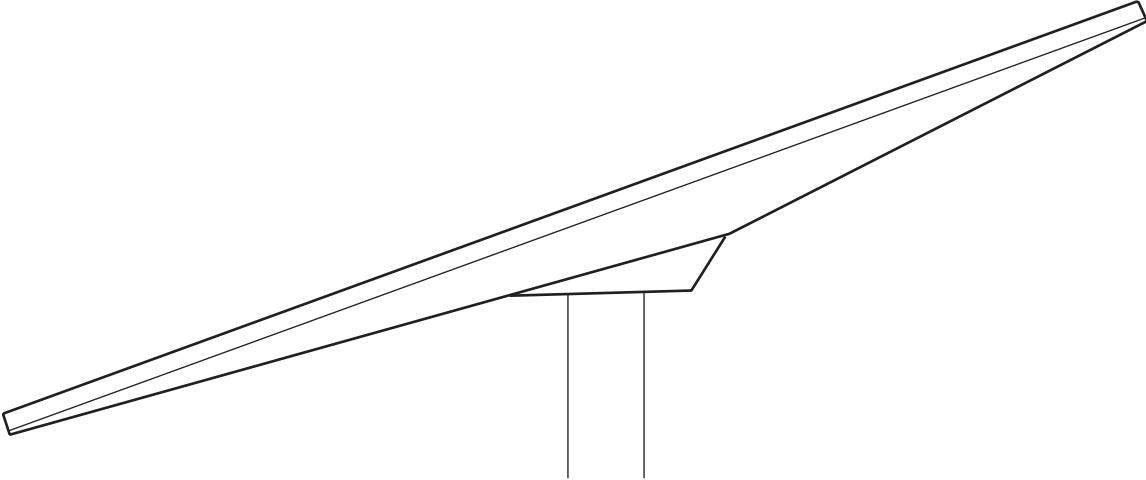
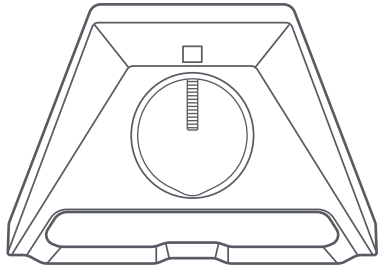


STARLINK | STANDARD PIPE ADAPTER INSTALL GUIDE



What's in the Box



Pipe Adapter Mount



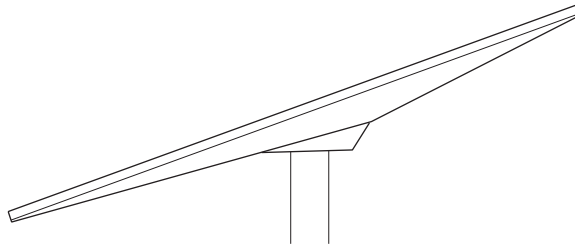
Allen Key



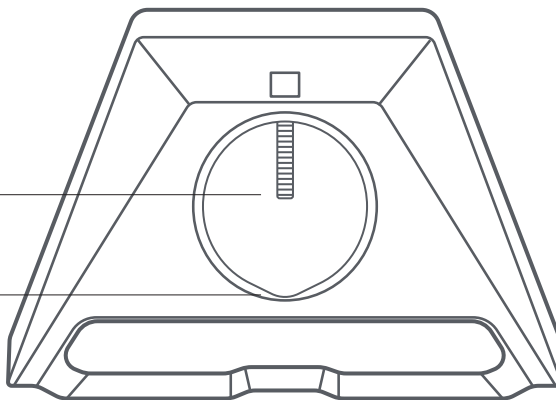
Cable Routing Clips
20x

558 mm
(21.96 in)

213 mm
(8.38 in)

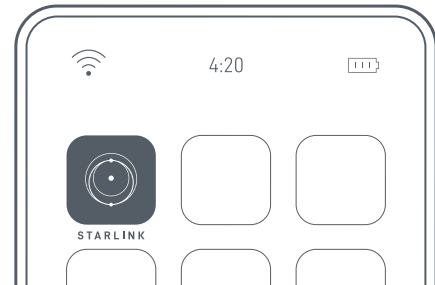
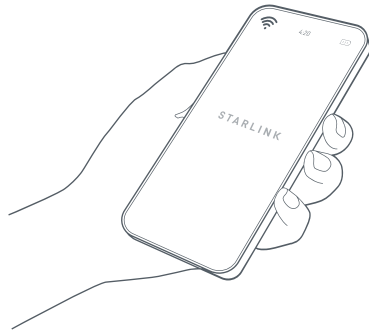


31 mm - 51 mm
(1.25 in - 2 in)



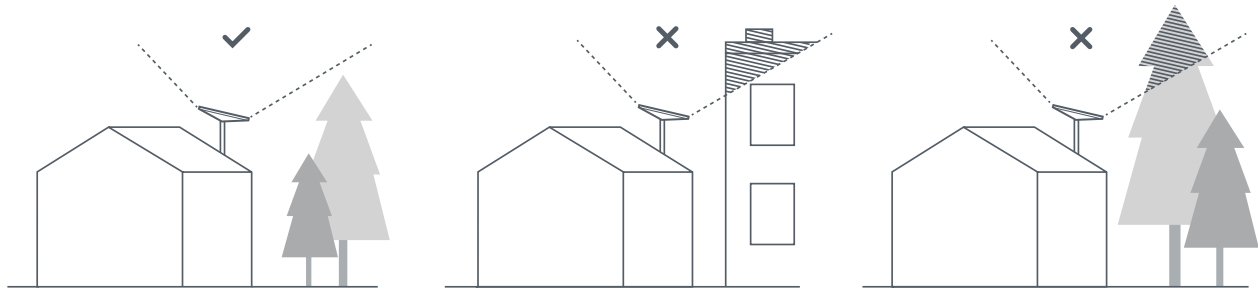
1 | Download the Starlink App

Scan the QR code to download the Starlink App.



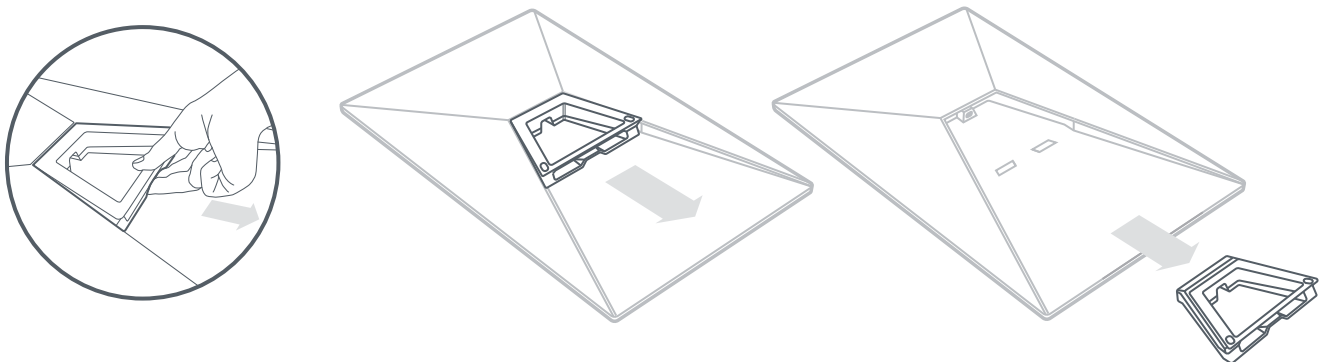
2 | Find Mounting Location

Your Starlink needs a clear view of the sky so it can stay connected with satellites as they move overhead. Objects that obstruct the connection between your Starlink and the satellite, such as a tree branch, pole, or roof, will cause service interruptions. Use the obstruction tool in the App to ensure you have selected a suitable mounting location.



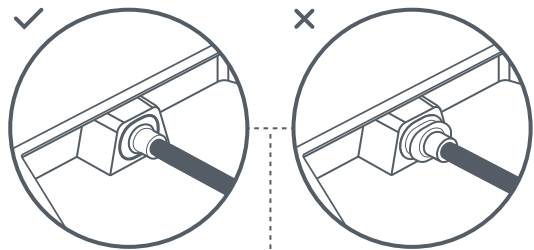
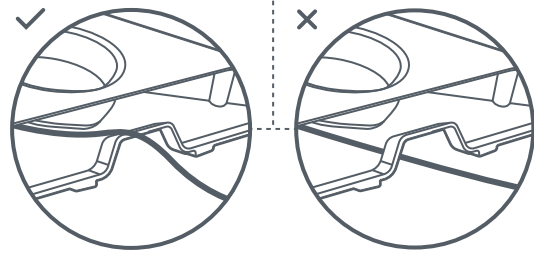
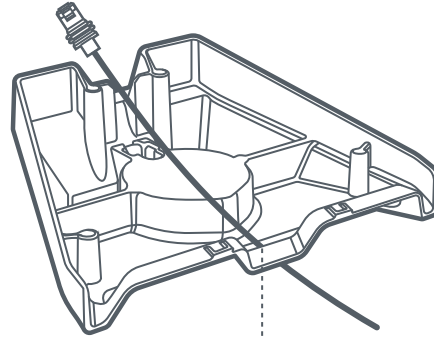
3 | Remove Kickstand

Squeeze the release tab and pull it away from its fixed location.



4 | Route Cable Through Pipe Adapter

Route the Starlink cable through the opening in the pipe adapter and out the front end.

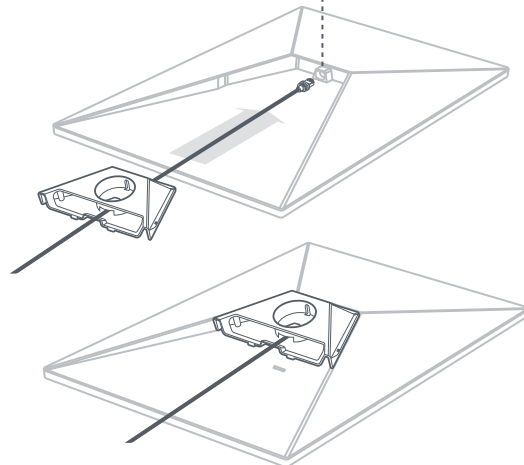


5 | Plug in Cable and Install Pipe Adapter

Plug the cable into your Starlink.

Ensure the plug is fully inserted such that the plug face is flush with the surface.

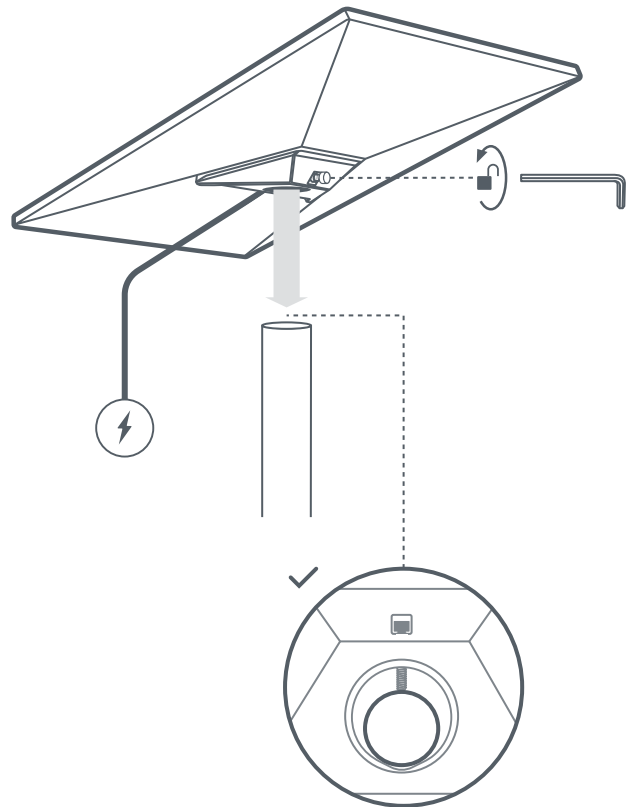
Next, slide the adapter in until it clicks into place.



6 | Mount Starlink to Pole

Loosen the locking screw and slide the Pipe Adapter Mount onto your mounting pipe. Temporarily tighten the locking screw to stabilize Starlink onto pipe.

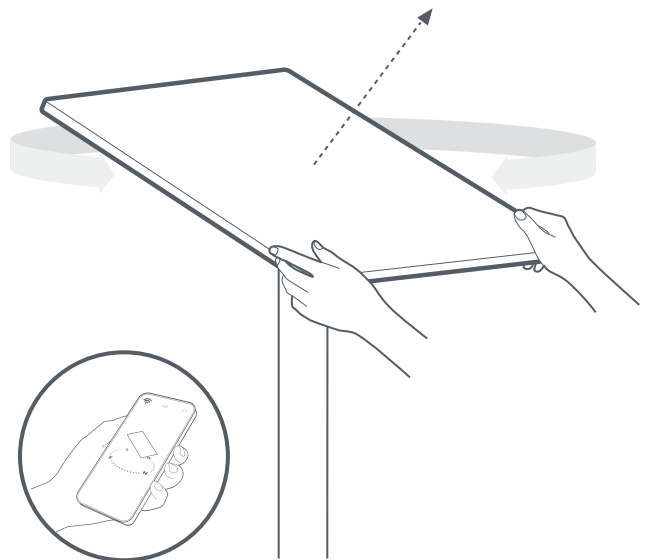
Connect the other end of the Starlink cable to router and plug in router power.



7 | Align Your Starlink

An alert on the App will show if you need to rotate Starlink to be properly aligned.

Click the alert to use the alignment tool.



8 | Lock Alignment

Tighten the screw on the Pipe Adapter Mount to lock your Starlink in place.

Ensure your Starlink is firmly attached.

