



OWNER'S MANUAL

BUILT-IN FREEZER

Read this owner's manual thoroughly before operating the appliance and keep it handy for reference at all times.

SKSCF1801P
SKSCF2401P
SKSCF3001P



MFL70339801_Rev.06

www.signaturekitchensuite.com

Copyright © 2017 - 2018 Signature Kitchen Suite. All Rights Reserved.

TABLE OF CONTENTS

3 PRODUCT FEATURES

4 SAFETY INSTRUCTIONS

4 IMPORTANT SAFETY INSTRUCTIONS

8 PRODUCT SPECIFICATIONS

9 PRODUCT OVERVIEW

9 Interior

10 OPERATION

10 Before Use
11 Control Panel
13 Ice Compartment
13 Automatic Icemaker
13 Storing Food
17 Adjusting the Shelves

18 SMART FUNCTIONS

18 SIGNATURE KITCHEN SUITE Application
20 Smart Grid Function
21 Smart Diagnosis™ Function

24 MAINTENANCE

24 Cleaning
25 Replacing the Water Filter

30 TROUBLESHOOTING

30 FAQs: Frequently Asked Questions
31 Before Calling for Service

39 LIMITED WARRANTY

PRODUCT FEATURES

Depending on the model, some of the following functions may not be available.

DOOR ALARM

The Door Alarm function is designed to prevent freezer malfunctioning that could occur if a door remains open. If a door is left open for more than 60 seconds, a warning alarm sounds at 30-second intervals.

ICE PLUS

Ice production is increased when the freezer section is maintained at the coldest temperature for a 24-hour period.

SAFETY INSTRUCTIONS

READ ALL INSTRUCTIONS BEFORE USE

Your safety and the safety of others are very important.

We have provided many important safety messages in this manual and on your appliance. Always read and follow all safety messages.

This is the safety alert symbol.



This symbol alerts you to potential hazards that can kill or injure you and others.

All safety messages will follow the safety alert symbol and either the word **WARNING** or **CAUTION**.

These words mean:



WARNING

You may be killed or seriously injured if you do not follow instructions.



CAUTION

You may be injured or cause damage to the product if you do not follow instructions.

All safety messages will tell you what the potential hazard is, tell you how to reduce the chance of injury, and tell you what may happen if the instructions are not followed.

IMPORTANT SAFETY INSTRUCTIONS



WARNING

To reduce the risk of explosion, fire, death, electric shock, scalding or injury to persons when using this product, follow basic precautions, including the following:

OPERATION

- This product is not to be used for special purposes such as the storage of medicine or test materials or for use on ships, etc.
- DO NOT allow children to climb, stand, or hang on the freezer doors or on the shelves in the freezer. They could damage the freezer and seriously injure themselves.
- Do not allow children to climb into the freezer. They could be trapped and suffocated.
- Children should be supervised to ensure that they do not play with the freezer.
- Keep fingers out of pinch point areas when opening or closing doors. Be careful closing doors when children are nearby.
- Do not touch frozen food or the metal parts in the freezer compartment with wet or damp hands. Doing so may cause frostbite.
- Do not refreeze frozen food that has thawed completely. Doing so may result in a serious health hazard.
- An individual properly grounded branch circuit or circuit breaker is recommended.
- Do not use an adapter plug or plug the power plug into a multi-outlet extension cord.
- Do not use a cord that shows cracks or abrasion damage along its length or at either the plug or connector end. Immediately have all power cords that have become frayed or otherwise damaged repaired or replaced by qualified service personnel.
- Do not operate the freezer or touch the power cord with wet hands.
- Do not modify or extend the power cord.
- Do not use an uncertified power outlet. Do not plug appliance into a damaged wall outlet.
- Do not put hands, feet or other objects into the air vents or bottom of the freezer. Doing so could result in personal injury or electric shock.
- In the event of a gas leak (propane/LPG), ensure the area is adequately ventilated and contact an authorized service center before resuming use. Do not touch the freezer or power button of the freezer.
- Turn off power to the appliance immediately and contact an authorized service center if there is a strange noise, odor, or smoke coming from the appliance.
- Do not use any fuse (such as copper, steel wire, etc.) other than a standard fuse.
- Do not place or use an electrical appliance inside the freezer, unless it is of a type recommended by the manufacturer.
- Do not put animals inside the appliance.
- Avoid contact with any moving parts of the ejector mechanism or with the heater that releases the ice cubes. DO NOT place fingers in the automatic icemaker when the freezer is plugged in.
- This appliance is not intended for use by persons (including children) with reduced physical, sensory or mental capabilities, or lack of experience and knowledge, unless they have been given supervision or instruction concerning the use of the appliance by a person responsible for their safety.
- If connected to a circuit protected by fuses, use time delay fuse.

MAINTENANCE

- Do not use a hair dryer to dry the inside of the freezer.
- Do not light a candle to remove odors in the freezer.
- In the event of a refrigerant leak, move flammable objects away from the freezer. Ensure the area is adequately ventilated and contact an authorized service center.
- Keep flammable materials and vapors, such as gasoline, away from the freezer.
- This appliance is intended to be used in household and similar applications such as staff kitchen areas in shops, offices and other working environments; farm houses and by clients in hotels, motels and other residential type environments; bed and breakfast type environments; catering and similar non-retail applications.
- Turn off power before cleaning or repairing the freezer.
- The freezer compartment lights are interior LED lighting, and service should be performed by a qualified technician.
- Turn off power immediately in the event of a blackout or thunderstorm.
- Turn the power off if water or dust penetrates into the freezer. Call a service agent.
- Do not store glass containers or soda in the freezer compartment. Contents may expand when frozen, break the container and cause injury.
- Do not store, disassemble or repair the appliance yourself or allow unqualified personnel to do so.
- If the electrical supply cord is damaged, it must only be replaced by the manufacturer or its service agent or a similar qualified person in order to avoid a hazard.
- Do not store explosive substances such as aerosol cans with a flammable propellant in this appliance.

DISPOSAL

- Junked or abandoned freezer are dangerous, even if they are sitting for only a few days. When disposing of the freezer, remove the packing materials from the door or take off the doors but leave the shelves in place so that children may not easily climb inside.
- If disposing of a freezer, make sure the refrigerant is removed for proper disposal by a qualified servicer. If you release the refrigerant, you may be fined or imprisoned in accordance with the relevant environmental law.

GROUNDING INSTRUCTIONS

- Improper connection of the equipment-grounding conductor can result in a risk of electric shock. Check with a qualified electrician or service personnel if you are in doubt whether the appliance is properly grounded. Do not modify the plug provided with the appliance; if it will not fit the outlet, have a proper outlet installed by a qualified electrician.
- Have a certified electrician check the wall outlet and wiring for proper grounding.

CAUTION

To reduce the risk of minor or moderate injury to persons, malfunction, or damage to the product or property when using this product, follow basic precautions, including the following:

INSTALLATION

- Do not install the freezer where there may be a danger of the unit falling.
- The freezer must be properly installed in accordance with the Installation Instructions.

OPERATION

- Do not use aerosols near the freezer.
- This appliance is intended to be used only in domestic and similar applications.
- Do not strike or apply excessive force to any glass surface. Do not touch glass surfaces if they are cracked or broken.
- Do not overfill or pack items too tightly into door bins. Doing so may cause damage to the bin or personal injury if items are removed with excessive force.
- Do not overfill the appliance with food. Doing so may cause personal injury or property damage.

MAINTENANCE

- Do not use strong detergents like wax or thinners for cleaning. Clean with a soft cloth.
- Remove foreign objects (such as dust and water) off the prongs of the power plug and contact areas. Do not use a wet or damp cloth when cleaning the plug.
- Do not spray water directly on the inside or outside of the freezer.
- Do not clean glass shelves or covers with warm water when they are cold. They may break if exposed to sudden temperature changes.

WARNING

- Keep ventilation openings, in the appliance enclosure or in the built-in structure, clear of obstruction.
- Do not use mechanical devices or other means to accelerate the defrosting process, other than those recommended by the manufacturer.
- Do not damage the refrigerant circuit.
- Do not use electrical appliances inside the food storage compartments of the appliance, unless they are of the type recommended by the manufacturer.
- The refrigerant and insulation blowing gas used in the appliance require special disposal procedures. When disposing, please consult with service agent or a similarly qualified person.



This appliance contains a small amount of isobutane refrigerant (R600a), natural gas with high environmental compatibility, but it is also combustible. When transporting and installing the appliance, care should be taken to ensure that no parts of the refrigerating circuit are damaged. Refrigerant squirting out of the pipes could ignite or cause an eye injury. If a leak is detected, avoid any naked flames or potential sources of ignition and air the room in which the appliance is standing for several minutes.

In order to avoid the creation of a flammable gas air mixture if a leak in the refrigerating circuit occurs, the size of the room in which the appliance may be sited depends on the amount of refrigerant used. The room must be 1m² in size for every 8g of R600a refrigerant inside the appliance. The amount of refrigerant in your particular appliance is shown on the identification plate inside the appliance. Never start up an appliance showing any signs of damage. If in doubt, consult your dealer.

SAVE THESE INSTRUCTIONS

PRODUCT SPECIFICATIONS

The appearance and specifications listed in this manual may vary due to constant product improvements.

Electrical requirements: 115 V, 60 Hz

Min. / Max. water pressure: 20 - 120 psi (138 - 827 kPa)

Model SKSCF1801P	
Description	Built-in, Freezer
Net weight	304 lb (138 kg)

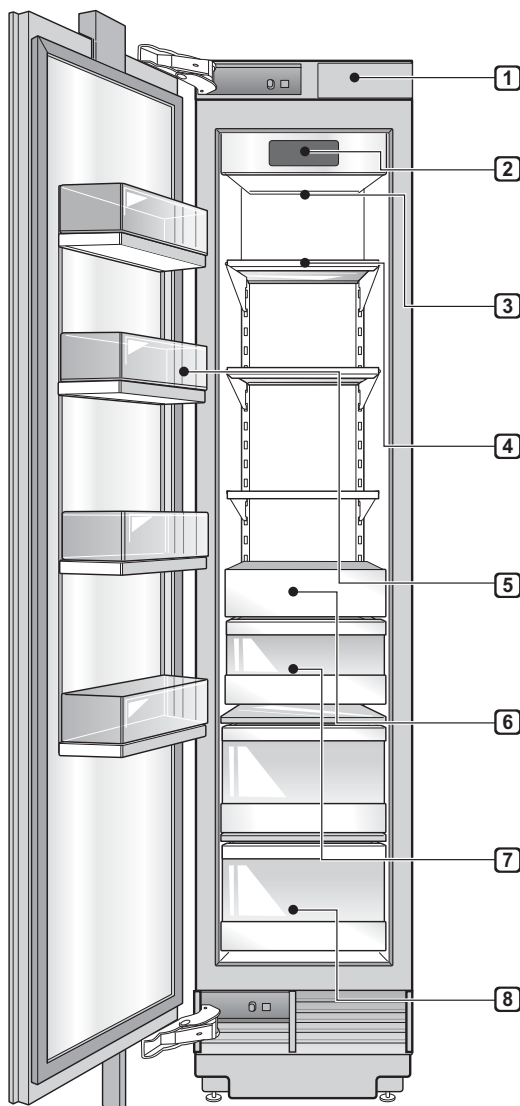
Model SKSCF2401P	
Description	Built-in, Freezer
Net weight	346 lb (157 kg)

Model SKSCF3001P	
Description	Built-in, Freezer
Net weight	403 lb (183 kg)

PRODUCT OVERVIEW

The images in this guide may be different from the actual components and accessories, which are subject to change by the manufacturer without prior notice for product improvement purposes.

Interior



1 Water filter

Purifies water.

NOTE

- The filter should be replaced every 6 months. See the Replacing the Water Filter section in this manual for details.

2 Control Panel

Sets the freezer temperature and the water filter condition.

3 LED interior lighting

Lights up the inside of the freezer.

4 Adjustable Freezer Shelf

The freezer shelves are adjustable to meet individual storage needs.

5 Movable Door Bin

Store chilled food or drinks.

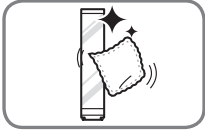
6 Icemaker

7 Ice Storage

8 Drawer

OPERATION

Before Use

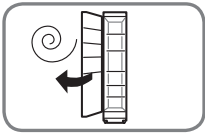


Clean the freezer.

Clean the freezer thoroughly and wipe off all dust that accumulated during shipping.

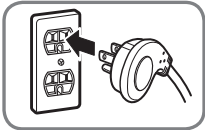
CAUTION

- Do not scratch the freezer with a sharp object or use a detergent that contains alcohol, a flammable liquid or an abrasive when removing any tape or adhesive from the freezer. Remove adhesive residue by wiping it off with your thumb or dish detergent.
- Do not peel off the model or serial number label or the technical information on the rear surface of the freezer.



Open freezer door to ventilate the interior.

The inside of the freezer may smell like plastic at first. Remove any adhesive tape from inside the freezer and open the freezer door for ventilation.



Connect the power supply.

Check if the power supply is connected before use.



Turn off the icemaker

Turn off the icemaker if the freezer is not yet connected to the water supply.

NOTE

- The icemaker water valve may buzz if the icemaker is turned on while the freezer is not connected to the water supply.

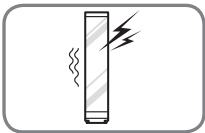


Wait for the freezer to cool.

Allow the freezer to run for at least two to three hours before putting food in it. Check the flow of cold air in the freezer to ensure proper cooling.

CAUTION

- Putting food in the freezer before it has cooled could cause the food to spoil, or a bad odor to remain inside the freezer.



The freezer makes a loud noise after initial operation.

This is normal. The volume will decrease as the temperature decreases.

Control Panel

Depending on the model, some of the following functions may not be available.

Control Panel Features



NOTE

- When the freezer is in the Power Saving Mode, the display remains off until the door is opened or a button is pressed. Once on, the display remains on for 20 seconds.

1 * Water Filter Reset

Replace the water filter when the Replace Filter icon turns on. After replacing the water filter, press and hold the Water Filter button for three seconds to turn the icon light off. Replace the water filter approximately every six months.

2 Ice Plus

This function increases both ice making and freezing capabilities.

- Press the Ice Plus button to illuminate the icon and activate the function for 24 hours. The function automatically shuts off after 24 hours.
- Stop the function manually by pressing the button once more.

3 * Ice On/Off

Press the **Ice On/Off** button for three seconds to turn the icemaker on/off.

4 Freezer

Indicates the set temperature of the freezer compartment in Celsius (°C) or Fahrenheit (°F). The default freezer temperature is 0°F (-18 °C). Press the **Freezer** button repeatedly to select a new set temperature from -6 °F to 8 °F (-21 °C to -13 °C).

5 Smart Grid

Press the **Smart Grid** button to turn the Smart Grid function On/Off. When the function is on, the icon illuminates. The Smart Grid function

automatically turns on when the freezer is connected to the Wi-Fi network.

When the freezer is responding to a Demand Response (DR) message from the electric company, the Grid text illuminates.

6 * Wi-Fi

The **Wi-Fi** button, when used with the SIGNATURE KITCHEN SUITE smart phone app, allows the freezer to connect to a home Wi-Fi network.

Refer to the Smart Functions section for information on the initial setup of the application.

The **Wi-Fi** icon shows the status of the freezer's network connection. The icon illuminates when the freezer is connected to the Wi-Fi network. Press and hold the Wi-Fi button for 3 seconds to connect to the network. The icon blinks while the connection is being made, then turns on once the connection is successfully made.

7 * Power

The Power button turns off all electrical power to the unit.

Press and hold the Power button for 3 seconds to turn off the power. When the power is off, the indicator light is off. There is no need to turn off power at the circuit breaker or wall receptacle. Use this function for service or extended vacations.

4 and **7** SABBATH

Sabbath mode is used on the Jewish Sabbath and holidays.

- To turn Sabbath mode on, touch the display to activate it, then press and hold the Freezer and Power buttons for 3 seconds until Sb appears in the display.
- Sabbath mode automatically turns off after 96 hours.
- To turn Sabbath mode off manually, press and hold the Freezer and Power buttons for 3 seconds.
- Once turned on, Sabbath mode is maintained even after a power outage.
- Selecting Sabbath mode automatically turns off the Light and Alarm functions. The icemaker is also disabled.
- The interior display stays on during Sabbath mode, but only "Sb" and the Freezer and Power buttons are displayed.
- The freezer temperature is set to 0°F (-18°C) and cannot be changed until Sabbath mode is turned off.

NOTE

- The Smart Grid function is automatically turned off in Sabbath mode. When Sabbath mode ends, the Smart Grid function must be activated again manually.

CAUTION

Display Mode (For Store Use Only)

- The Display Mode disables all cooling in the freezer sections to conserve energy while on display in a retail store. When activated, OF is displayed on the control panel and the display remains on for 20 seconds.

To deactivate / activate:

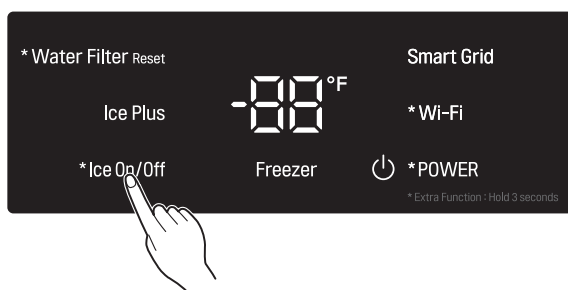
- With the door open, press and hold the Freezer and Water Filter reset buttons at the same time for five seconds. The control panel beeps and the temperature settings display to confirm that Display Mode is deactivated. Use the same procedure to activate Display Mode.

Ice Compartment

⚠ CAUTION

- Keep hands and tools out of the ice compartment. Failure to do so may result in damage or personal injury.
- Throw away the first few batches of ice after installation. This is also necessary if the freezer has not been used for a long time.

Automatic Icemaker



Turning the Automatic Icemaker On or Off

To turn off the automatic icemaker, press the ice **On/Off** button on the display for three seconds.

Normal Sounds You May Hear

- Keeping the power turned on to the icemaker before the water line is connected can damage the icemaker.
- The icemaker water valve buzzes as the icemaker fills with water. If the Ice **On/Off** button is in the ON mode, it will buzz even if it has not yet been hooked up to water. To stop the buzzing, press the Ice **On/Off** button to turn it off.
- You will hear the sound of cubes dropping into the bin and water running in the pipes as the icemaker refills.

Preparing for Vacation

Set the **Ice On/Off** button to OFF and shut off the water supply to the freezer.

NOTE

- The ice bin should be emptied any time the Ice On/Off button is turned to the OFF mode.

If the ambient temperature will drop below freezing, have a qualified technician drain the water supply system to prevent serious property damage due to flooding caused by ruptured water lines or connections.

Storing Food

⚠ CAUTION

- Do not overfill or pack items too tightly into door bins. Doing so may cause damage to the bin or personal injury if items are removed with excessive force.
- Do not store glass containers in the freezer. Contents may expand when frozen, break the container and cause injury.

NOTE

- If you are leaving home for a short period, like a short vacation, the freezer should be left on. Refrigerated foods that are able to be frozen will stay preserved longer if stored in the freezer.
- If you are leaving the freezer turned off for an extended period, remove all food and unplug the power cord. Clean the interior, and leave the door open to prevent fungi from growing in the freezer.
- If the freezer is kept in a hot and humid place, frequent opening of the door or storing a lot of vegetables in the freezer may cause condensation to form. Wipe off the condensation with a clean cloth or a paper towel.
- If the door is opened or closed too often, warm air may penetrate the freezer and raise its temperature. This can increase the running costs of the unit.

Food Storage Tips

Wrap or store food in the freezer in airtight and moisture-proof material unless otherwise noted. This prevents food odor and taste transfer throughout the freezer. For dated products, check date code to ensure freshness.

Food	How to
Butter or Margarine	Keep opened butter in covered dish or closed compartment in refrigerator. When storing an extra supply, wrap in freezer packaging and freeze.
Fish	Freeze fresh fish and shellfish if they are not being eaten the same day purchased. Eating fresh fish and shellfish the same day purchased is recommended.

Storing Frozen Food

Check a freezer guide or a reliable cookbook for further information about preparing food for freezing or food storage times.

Freezing

Your freezer will not quick-freeze a large quantity of food. Do not put more unfrozen food into the freezer than will freeze within 24 hours (no more than 2 to 3 pounds of food per cubic foot of freezer space). Leave enough space in the freezer for air to circulate around packages. Be careful to leave enough room at the front so the door can close tightly.

Storage times will vary according to the quality and type of food, the type of packaging or wrap used (how airtight and moisture-proof) and the storage temperature. Ice crystals inside a sealed package are normal. This simply means that moisture in the food and air inside the package have condensed, creating ice crystals.

NOTE

- Allow hot foods to cool at room temperature for 30 minutes, and then package and freeze. Cooling hot foods before freezing saves energy.

Packaging

Successful freezing depends on correct packaging. When you close and seal the package, it must not allow air or moisture in or out. If it does, you could have food odor and taste transfer throughout the freezer and could also dry out frozen food.

Packaging recommendations

- Rigid plastic containers with tight-fitting lids
- Straight-sided canning/freezing jars
- Heavy-duty aluminum foil
- Plastic-coated paper
- Non-permeable plastic wraps
- Specified freezer-grade self-sealing plastic bags

Follow package or container instructions for proper freezing methods.

Do not use

- Bread wrappers
- Non-polyethylene plastic containers
- Containers without tight lids
- Wax paper or wax-coated freezer wrap
- Thin, semi-permeable wrap

Ice Storage Drawer & Freezer Drawers

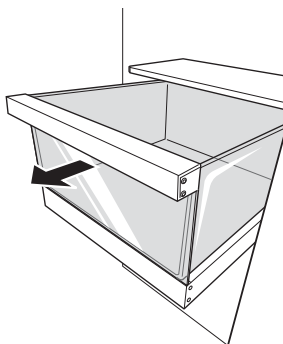
Use the upper compartment to store packaged frozen foods and frequently-used foods.

Use the lower compartments for larger frozen foods and items stored for longer periods.

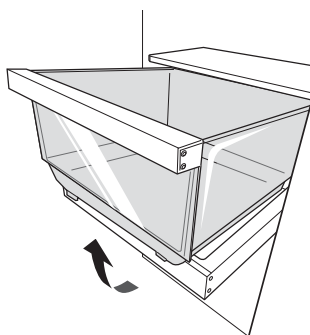
- The sliding drawers allow easy access and convenience of use.

Removing the Drawers

- 1 Pull the drawer out until it stops. Empty all contents out of the drawer before removing it.

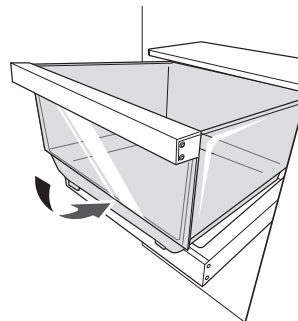


- 2 Lift the empty drawer slightly to remove it from the support.

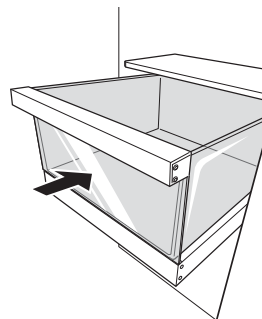


Assembling the Drawer

- 1 Pull out the drawer support until it stops. Angle the drawer into the space and set it on the support.



- 2 Slide the drawer back until it lowers into place on the support. Close the drawer.



! CAUTION

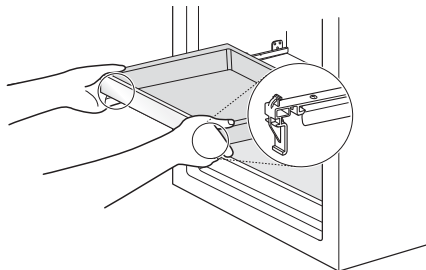
- The drawers are heavy. Always use two hands when removing or assembling the drawers to avoid product damage or personal injury. Always empty drawers before removing or assembling them.
- Always open the freezer doors completely before removing or assembling the drawers.

! CAUTION

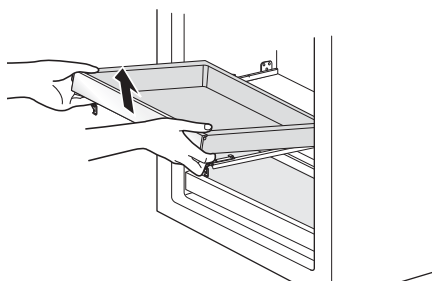
- The drawers are heavy. Always use two hands when removing or assembling the drawers to avoid product damage or personal injury. Always empty drawers before removing them.
- Always open the doors completely before removing or assembling the drawers.

Removing the Drawer Support

- 1 Press the levers on either side of the drawer support.

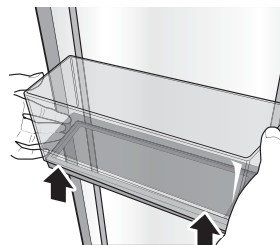


- 2 Keeping both levers pressed, lift the drawer support slightly and remove it from the rail system.



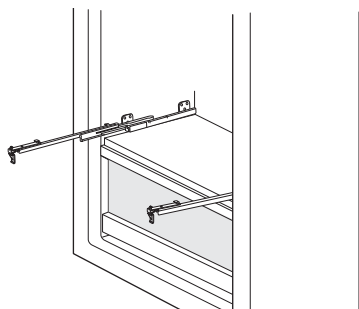
Adjusting the Door Bins

To adjust the location of the bin, tilt the front of the bin up and slide the bin up or down to the desired location.

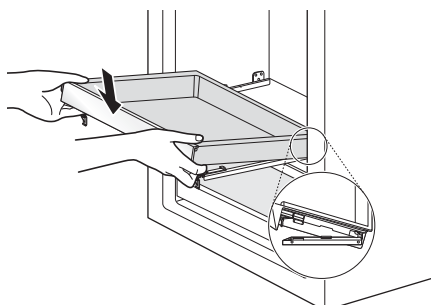


Assembling the Drawer Support

- 1 Pull both drawer rails out until they stop.



- 2 Line up the bottom edges on the sides of the drawer support with the groove in each rail and then lower the support until it clicks into place.



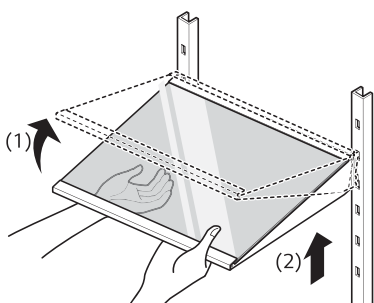
Adjusting the Shelves

The shelves in the freezer are adjustable to meet individual storage needs.

Adjusting the shelves to fit items of different heights will make finding the exact item you want easier.

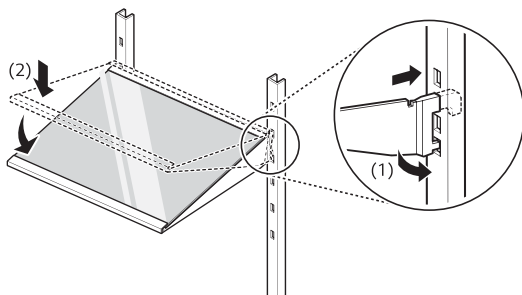
Detaching the Shelf

- 1 Tilt up the front of the shelf and then lift the shelf straight up.
- 2 Pull the shelf out.



Assembling the Shelf

- 1 Tilt the front of the shelf up and guide the shelf hooks into the slots at a desired height.
- 2 Lower the front of the shelf so that the hooks drop into the slots.



CAUTION

- Make sure that shelves are level from one side to the other. Failure to do so may result in the shelf falling or spilled food.
- Do not clean glass shelves with warm water while they are cold. Shelves may break if exposed to sudden temperature changes or impact.
- Glass shelves are heavy. Use special care when removing them.

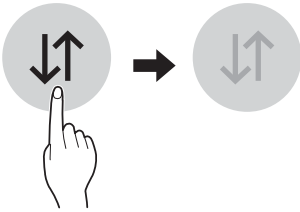
SMART FUNCTIONS

SIGNATURE KITCHEN SUITE Application

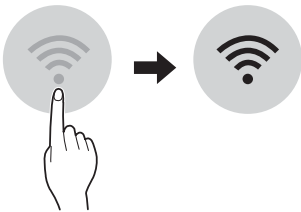
The SIGNATURE KITCHEN SUITE application allows you to communicate with the appliance using a smartphone.

Before Using the Application

- 1 Check the strength of the wireless signal near the appliance.
 - If the distance between the appliance and the wireless router is too far, the signal strength becomes weak. It may take a long time to register or installation may fail.
- 2 Turn off the Mobile data or Cellular Data on your smartphone.



- 3 Connect your smartphone to the wireless router.



NOTE

- To verify the Wi-Fi connection, check that Wi-Fi icon on the control panel is lit.
- The appliance supports 2.4 GHz Wi-Fi networks only. To check your network frequency, contact your Internet service provider or refer to your wireless router manual.
- The SIGNATURE KITCHEN SUITE application is not responsible for any network connection problems or any faults, malfunctions, or errors caused by network connection.
- The surrounding wireless environment can make the wireless network service run slowly.
- If the appliance is having trouble connecting to the Wi-Fi network, it may be too far from the router. Purchase a Wi-Fi repeater (range extender) to improve the Wi-Fi signal strength.
- The network connection may not work properly depending on the Internet service provider.
- The Wi-Fi connection may not connect or may be interrupted because of the home network environment.
- If the appliance cannot be registered due to problems with the wireless signal transmission, turn off the router and wait about a minute before turning it back on and trying again.
- If the firewall on your wireless router is enabled, disable the firewall or add an exception to it.
- The wireless network name (SSID) should be a combination of English letters and numbers. (Do not use special characters.)
- Smartphone user interface (UI) may vary depending on the mobile operating system (OS) and the manufacturer.
- If the security protocol of the router is set to WEP, you may need to change it to WPA2 in order to successfully register the product.

Installing SIGNATURE KITCHEN SUITE Application

Search for the SIGNATURE KITCHEN SUITE application from the Google Play Store or Apple App Store on a smart phone. Follow instructions to download and install the application.

SIGNATURE KITCHEN SUITE Application Features

Energy Monitoring

This feature keeps track of the freezer's power consumption and the number of door openings.

Push Messages

If the door remains open for more than ten minutes, you will receive a push message. When Ice Plus is finished, you will receive a push message.

Smart Diagnosis™

This function provides useful information for diagnosing and solving issues with the appliance based on the pattern of use.

Settings

Allows you to set various options on the freezer and in the application.

NOTE

- If you change your wireless router, Internet service provider, or password, delete the registered appliance from the SIGNATURE KITCHEN SUITE application and register it again.
- This information is current at the time of publication. The application is subject to change for product improvement purposes without notice to users.

Smart Grid Function

When the freezer operates in Smart Grid mode, the Smart Freezer function can control energy usage or delay the operation of some functions to save energy during peak usage periods.

- You can override the Smart Grid function any time (using the Smart Grid button or application).
- To use the Smart Grid function, you need to register your appliance with your electric utility company.

Smart Grid Application Features

Smart Saving_Demand Response

You can lower energy usage based on Demand Response (DR) signals from the utility company. If the freezer is operating in Smart Saving mode according to the DR signal, you can see a pop up.

Seasonal Energy Savings

Lower energy usage based on time period.

Using the Smart Grid Function

This feature responds to notification events from your utility company to run high energy consuming tasks during off-peak periods when demand is lower. These notification events are known as Demand Response signals.

If the freezer receives a Demand Response signal from the utility company, the freezer will turn on the Grid LED on the freezer display and control its power consumption according to the signal.

The freezer will respond to the signals received from the utility company as long as product performance is maintained.

If the freezer receives a Demand Response signal, the freezer will operate in Delay Appliance Load (DAL) or Temporary Appliance Load Reduction (TALR) mode.

Delay Appliance Load (DAL)

The freezer responds to a DAL signal by providing a moderate load reduction for the duration of the delay period.

This mode controls functions that consume a lot of energy such as adjusting the cooling system, running the defrost cycle, and making ice.

- When the freezer operates in DAL mode, the Grid LED is illuminated on the freezer display.
- DAL mode is automatically deactivated after the period stipulated by the DAL signal (max. 4 hours) or when you override the Smart Grid function.

Temporary Appliance Load Reduction (TALR)

The freezer responds to a TALR signal by aggressively reducing the load for a short time period, typically 10 minutes. This mode reduces energy consumption by stopping the compressor and controlling the functions that consume a lot of energy such as the defrost cycle and fan.

- When the freezer operates in TALR mode, the Grid LED is illuminated on the freezer display.
- TALR mode is automatically deactivated after the received duration (max. 10 minutes), or when you override the Smart Grid function. The mode is immediately deactivated and the freezer returns to its normal state when the door is opened or closed, or the dispenser is used.

Override Smart Grid Mode

To ignore the Demand Response signal from the utility company and override the Smart Grid function, push the Smart Grid button while the freezer is in Smart Grid mode.

When you override the Smart Grid function, the freezer ignores the Demand Response signal and is no longer controlled by the utility company until the next Demand Response signal is sent. You can also override the Smart Grid function using the smart phone app.

SIGNATURE KITCHEN SUITE Open API

You can manage Smart Grid features for the SIGNATURE KITCHEN SUITE freezer.

Please check the detailed specifications on the notice page on www.signaturekitchensuite.com.

API list

Demand Response

- Send demand response signal

Power Saving

- Set saving mode
- Get schedule of DR/Delay Defrost

Energy Monitoring

- Get door open event
- Get energy consumption

Delay Defrost Capability

- Insert a delay defrost schedule event
- Update a delay defrost schedule event
- Delete a delay defrost schedule event
- Get the delay defrost schedule

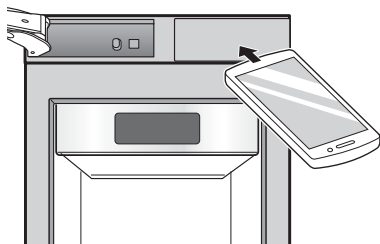
Smart Diagnosis™ Function

Should you experience any problems with the appliance, it has the capability of transmitting data via your telephone to the SIGNATURE KITCHEN SUITE Information Center. NFC or Wi-Fi equipped models can also transmit data to a smartphone using the SIGNATURE KITCHEN SUITE application.

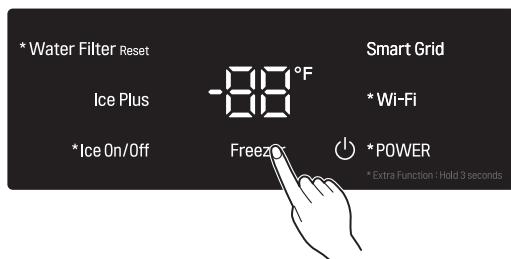
Smart Diagnosis™ through the Customer Information Center

This method allows you to speak directly to our trained specialists. The specialist records the data transmitted from the appliance and uses it to analyze the issue, providing a fast and effective diagnosis.

- 1 Call the SIGNATURE KITCHEN SUITE Customer Information Center at:
(U.S.A) 1-855-790-6655
- 2 Open the freezer door.
- 3 Hold the mouthpiece of your phone in front of the speaker that is located on the filter cover of the freezer, when instructed to do so by the call center.



- 4 Press and hold the Freezer button for three seconds while continuing to hold your phone to the speaker.



- 5 After you hear three beeps, release the Freezer button.
- 6 Keep the phone in place until the tone transmission has finished. The display will count down the time. Once the countdown is over and the tones have stopped, resume your conversation with the specialist, who will then be able to assist you in using the information transmitted for analysis.

NOTE

- For best results, do not move the phone while the tones are being transmitted.
- If the call center agent is not able to get an accurate recording of the data, you may be asked to try again.
- The Smart Diagnosis™ function depends on the local call quality.
- Bad call quality may result in poor data transmission from your phone to the call center, which could cause Smart Diagnosis™ to malfunction.

Smart Diagnosis™

Use the Smart Diagnosis feature in the SIGNATURE KITCHEN SUITE application for help diagnosing issues with the appliance without the assistance of the SIGNATURE KITCHEN SUITE Customer Information Center.

Follow the instructions in the SIGNATURE KITCHEN SUITE application to perform a Smart Diagnosis using your smartphone.

NOTE

- Smart Diagnosis™ cannot be activated unless the appliance can be turned on using the Power button. If the appliance cannot be turned on, troubleshooting must be done without using Smart Diagnosis™.

FCC Notice

The following notice covers the transmitter module contained in this product.

This equipment has been tested and found to comply with the limits for a Class B digital device, pursuant to Part 15 of the FCC Rules and also Part 18 of the FCC Rules. These limits are designed to provide reasonable protection against harmful interference in a residential installation. This equipment generates, uses, and can radiate radio frequency energy and, if not installed and used in accordance with the instructions, may cause harmful interference to radio communications. However, there is no guarantee that interference will not occur in a particular installation. If this equipment does cause harmful interference to radio or television reception, which can be determined by turning the equipment off and on, the user is encouraged to try to correct the interference by one or more of the following measures:

- Reorient or relocate the receiving antenna.
- Increase the separation between the equipment and the receiver.
- Connect the equipment to an outlet on a circuit different from that to which the receiver is connected.
- Consult the dealer or an experienced radio/TV technician for help.

This device complies with Part 15, Part 18 of the FCC Rules. Operation is subject to the following two conditions:

- 1) this device may not cause harmful interference and
- 2) this device must accept any interference received, including interference that may cause undesired operation of the device.

Any changes or modifications in construction of this device which are not expressly approved by the party responsible for compliance could void the user's authority to operate the equipment.

FCC RF Radiation Exposure Statement

This equipment complies with FCC radiation exposure limits set forth for an uncontrolled environment. This transmitter must not be co-located or operating in conjunction with any other antenna or transmitter.

This equipment should be installed and operated with a minimum distance of 20 cm (7.8 inches) between the antenna and your body. Users must follow the specific operating instructions for satisfying RF exposure compliance.

Industry Canada Statement (For transmitter module contained in this product)

This device complies with Industry Canada's applicable licence- exempt RSSs. Operation is subject to the following two conditions:

- 1) This device may not cause interference; and
- 2) This device must accept any interference, including interference that may cause undesired operation of the device.

Industry Canada ICES-001 Compliance Label: CAN ICES-1/NMB-1

IC Radiation Exposure Statement

This equipment complies with IC radiation exposure limits set forth for an uncontrolled environment.

This equipment should be installed and operated with a minimum distance of 20 cm (7.8 inches) between the antenna and your body.

NOTE

- The manufacturer is not responsible for any radio or TV interference caused by unauthorized modifications to this equipment. Such modifications could void the user's authority to operate the equipment.

Wireless LAN Module Specifications	
Model	LCW-003
Frequency Range	2412 MHz - 2462 MHz
Output Power (Max)	IEEE 802.11b: 17.56 dBm IEEE 802.11g: 25.53 dBm IEEE 802.11n: 25.29 dBm

Open Source Software Notice Information

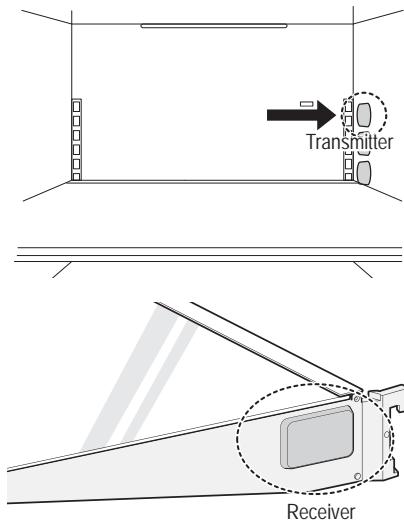
To obtain the source code under GPL, LGPL, MPL, and other open source licenses, that is contained in this product, please visit <http://opensource.signaturekitchensuite.com>.

In addition to the source code, all referred license terms, warranty disclaimers and copyright notices are available for download.

SIGNATURE KITCHEN SUITE will also provide open source code to you on CD-ROM for a charge covering the cost of performing such distribution (such as the cost of media, shipping, and handling) upon email request to opensource@signaturekitchensuite.com.

This offer is valid for a period of three years after our last shipment of this product. This offer is valid to anyone in receipt of this information.

Wireless Power Transfer Specifications	
Frequency	330 kHz ~ 370 kHz
Rated voltage	DC 12V
Delivered power	Less than and equal to 3W per shelf
Transmission mode	Electromagnetic induction



NOTE

- Foreign objects and dirt between the right side of shelf and the inner cabinet wall could prevent the shelf light from turning on.
- The shelf light turns on when the door is opened.
- The shelf light turns off after seven minutes or when the door is closed.

MAINTENANCE

Cleaning

WARNING

- Use non-flammable cleaner. Failure to do so can result in fire, explosion, or death.

CAUTION

- Do not use an abrasive cloth or sponge when cleaning the interior and exterior of the freezer.
- Do not place your hand on the bottom surface of the freezer when opening and closing the doors.

General Cleaning Tips

- The freezer defrosts automatically; however, clean it once a month to prevent odors.
- Wipe up spills immediately.
- Unplug the freezer or disconnect power before cleaning.
- Remove all removable parts, such as shelves.
- Use a clean sponge or soft cloth and a mild detergent in warm water. Do not use abrasive or harsh cleaners.
- Hand wash, rinse and dry all surfaces thoroughly.
- When cleaning the inside or outside of the appliance, do not wipe it with a rough brush, toothpaste, or flammable materials. Do not use cleaning agents containing flammable substances.
 - Doing so may cause discoloration or damage to the appliance.
 - Flammable substances: alcohol (ethanol, methanol, isopropyl alcohol, isobutyl alcohol, etc.), thinner, bleach, benzene, flammable liquid, abrasive, etc.

Inside Walls

- Allow freezer to warm up so the cloth will not stick.

To help remove odors, wash the inside of the freezer with a mixture of baking soda and warm water. Mix 2 tablespoons of baking soda to 1 quart of water (26 g soda to 1 liter water.) Be sure the baking soda is completely dissolved so it does not scratch the surfaces of the freezer.

Door Liners and Gaskets


Use a clean sponge or soft cloth and a mild detergent in warm water. Do not use cleaning waxes, concentrated detergents, bleaches, or cleaners containing petroleum on plastic freezer parts.

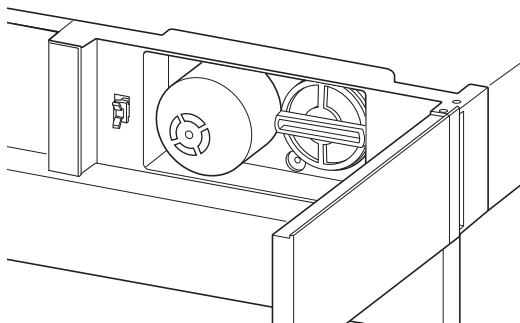
Plastic Parts (covers and panels)

Use a clean sponge or soft cloth and a mild detergent in warm water. Do not use glass cleaners, abrasive cleansers, or flammable fluids. These can scratch or damage the material.

Replacing the Water Filter

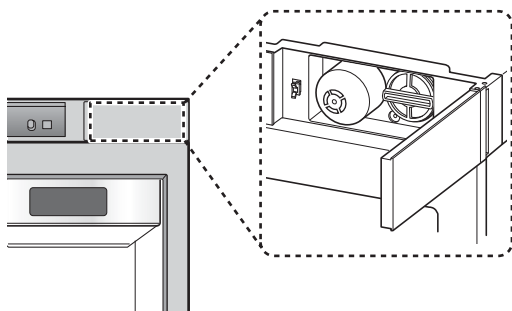
Replace the Water Filter

- Approximately every six months.
- When the **Replace Filter**  icon turns on.
- When the icemaker output decreases.

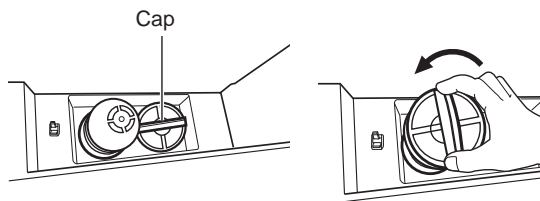


1 Remove the old water filter.

Push to open the water filter cover at the top right of the freezer.

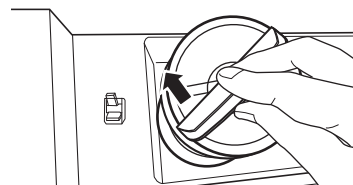


- Put the cap on water filter, then grasp and rotate it counterclockwise to remove the water filter from the filter head.

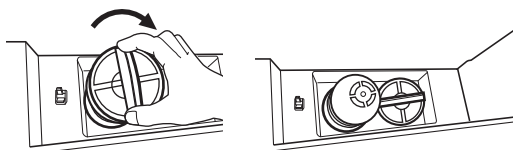


3 Replace with a new water filter.

Take the new water filter out of its packing and remove the protective cover from the o-rings. Put the cap on the new water filter, then push it into the manifold hole until it stops.



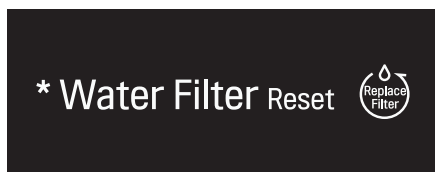
- Grasp and rotate cap clockwise until it stops. Replace the cap to the side of the water filter.



NOTE

- Replacing the water filter causes a small amount of water (around 1 oz. or 25 cc) to drain.
- Wrap a cloth around the front end of the water filter cover to collect any leaking water. Hold the water filter upright, once it is removed, to prevent any remaining water from spilling out of the water filter.

- 5** After changing the filter, press and hold the Water Filter Reset button for three seconds to reset the indicator light.



NOTE

To purchase a replacement water filter:

- Visit your local dealer or distributor
- Web : Find Parts & Accessories from Support section of signaturekitchensuite.com
- Call : 1-855-790-6655 (USA)

For further assistance, call:

1-855-790-6655 (USA)

- Use replacement cartridge :
LT1000P-S (ADQ74793506)

Performance Data Sheet

Model: LT1000P-S

NSF System Trade Name Code : MDJ64844601

The concentration of the indicated substances in water entering the system was reduced to a concentration less than or equal to the permissible limit for water leaving the system as specified in NSF/ANSI Standard 42, Standard 53 and Standard 401.



System tested and certified by NSF International against NSF/ANSI Standard 42, Standard 53 and Standard 401 for the reduction of substances listed below.

ENGLISH

Substance Reduction	Average Influent Challenge	NSF specified Challenge Concentration	Avg % Reduction	Average Product Water Concentration	Max Permissible Product Water Concentration	NSF Reduction Requirements
Chlorine Taste and Odor	2.0 µg/L	2.0 µg/L ± 10%	>97.5%	0.050 µg/L	N/A	≥ 50.00%
Nominal Particulate Class I, , ≥ 0.5 to < 1.0 µm	12,000,000 pts/mL	At least 10,000 particles/mL	99.80%	24,000 pts/ml	N/A	≥ 85.00%
Asbestos	180 MFL	10 ⁷ to 10 ⁸ MFL; fibers greater than 10 µg/Lin length	>99.00%	< 1 MFL	N/A	≥ 99.00%
Atrazine	8.5 µg/L	9.0 µg/L ± 10%	>94.10%	0.500 µg/L	3.0 µg/L	NA
Benzene	15.0 µg/L	15.0 µg/L ± 10%	>96.60%	0.510 µg/L	5.0 µg/L	NA
Carbofuran	74.0 µg/L	80.0 µg/L ± 10%	98.30%	1.258 µg/L	40 µg/L	NA
Lindane	1.9 µg/L	2.0 µg/L ± 10%	>99.00%	0.019 µg/L	0.2 µg/L	NA
P-Dichlorobenzene	230.0 µg/L	225.0 µg/L ± 10%	>99.80%	0.460 µg/L	75.0 µg/L	NA
2,4-D	210.0 µg/L	210.0 µg/L ± 10%	>99.90%	0.210 µg/L	70.0 µg/L	NA
Lead pH @6.5	140.0 µg/L	150.0 µg/L ± 10%	99.60%	0.560 µg/L	10.0 µg/L	NA
Lead pH @8.5	150.0 µg/L	150.0 µg/L ± 10%	>99.70%	<0.500 µg/L	10.0 µg/L	NA
Mercury @ pH 6.5	5.9 µg/L	6.0 µg/L ± 10%	91.00%	0.531 µg/L	2.0 µg/L	NA

(Continued on next page)

Substance Reduction	Average Influent Challenge	NSF specified Challenge Concentration	Avg % Reduction	Average Product Water Concentration	Max Permissible Product Water Concentration	NSF Reduction Requirements
Mercury @ pH 8.5	5.6 µg/L	6.0 µg/L ± 10%	92.5%	0.420 µg/L	2.0 µg/L	NA
Cyst*	100,000 cysts/L	Minimum 50,000 cysts/L	>99.99%	10 cysts/L	N/A	≥ 99.95%
Atenolol	240 ng/L	200 ± 40% ng/L	> 95.50%	10.80 ng/L	30 ng/L	NA
Carbamazepine	1600 ng/L	1400 ± 40% ng/L	98.40%	25.60 ng/L	200 ng/L	NA
DEET	1600 ng/L	1400 ± 40% ng/L	97.10%	46.40 ng/L	200 ng/L	NA
Trimethoprim	170 ng/L	140 ± 40% ng/L	>96.80%	5.44 ng/L	20 ng/L	NA
Linuron	160 ng/L	140 ± 40% ng/L	>96.60%	5.44 ng/L	20 ng/L	NA
Phenytoin	200 ng/L	200 ± 40% ng/L	>94.80%	10.40 ng/L	30 ng/L	NA
Ibuprofen	400 ng/L	400 ± 40% ng/L	>94.50%	22.00 ng/L	60 ng/L	NA
Naproxen	140 ng/L	140 ± 40% ng/L	>96.10%	5.46 ng/L	20 ng/L	NA
Estrone	120 ng/L	140 ± 40% ng/L	>96.10%	4.68 ng/L	20 ng/L	NA
Bisphenol A	2000 ng/L	2000 ± 40% ng/L	>98.90%	22.00 ng/L	300 ng/L	NA
Nonyl Phenol	1600 ng/L	1400 ± 40% ng/L	>97.10%	46.40 ng/L	200 ng/L	NA

- Based on the use of *Cryptosporidium parvum* oocysts.

Application Guidelines/Water Supply Parameters	
Service Flow	0.5 gpm (1.89 lpm)
Water Supply	Community or Private Well - Potable Water
Water Pressure	20 – 120 psi (138 – 827 kPa)
Water Temperature	33 °F – 100 °F (0.6 °C – 37.8 °C)
Capacity	200 gallons (757 liters)

It is essential that the manufacturer’s recommended installation, maintenance and filter replacement requirements be carried out for the product to perform as advertised.

NOTE

- While the testing was performed under standard laboratory conditions, actual performance may vary.


Replacement Cartridge: **LT1000P-S**

For replacement filters, visit your local dealer or distributor or search under "water filters" on the signaturekitchensuite.com website.

For further assistance, the SIGNATURE KITCHEN SUITE Customer Information Center is open 24 hours a day/7 days a week.

USA: 1-855-790-6655

NSF is trademark of NSF.

 **WARNING**

- Connect to a potable water supply only.

 **WARNING**

To reduce the risk associated with choking:

- Do not allow children under 3 years of age to have access to small parts during the installation of this product.

To reduce the risk associated with the ingestion of contaminants:

- Do not use with water that is microbiologically unsafe or of unknown quality without adequate disinfection before or after the system. Systems certified for cyst reduction may be used on disinfected water that may contain filterable cysts. EPA Establishment # 070595-MEX-001

 **CAUTION**

To reduce the risk associated with property damage due to water leakage:

- Read and follow Use Instructions before installation and use of this system.
- Installation and use **MUST** comply with all state and local plumbing codes.
- Do not install if water pressure exceeds 120 psi (827 kPa). If your water pressure exceeds 80 psi, you must install a pressure limiting valve. Contact a plumbing professional to check your water pressure.
- Do not install where water hammer conditions may occur. If water hammer conditions exist you must install a water hammer arrester. Contact a plumbing professional if you are uncertain how to check for this condition.
- Do not install on hot water supply lines. The maximum operating water temperature of this filter system is 100 °F (37.8 °C).
- Protect filter from freezing. Drain filter when temperatures drop below 40 °F (4.4 °C).
- The disposable filter cartridge **MUST** be replaced every 6 months, at the rated capacity or if a noticeable reduction in flow rate occurs.
- Protect from freezing, remove filter cartridge when temperatures are expected to drop below 33° F.
- Do not install systems in areas where ambient temperatures may go above 110° F (43.3° C).
- Where a backflow prevention device is installed on a water system, a device for controlling pressure due to thermal expansion must be installed.
- Ensure all tubing and fittings are secure and free of leaks.

TROUBLESHOOTING

FAQs: Frequently Asked Questions

Q: What are the best temperature settings for my freezer?

A: The default setting for the freezer is 0° Fahrenheit (-18° Celsius). Adjust these settings as necessary to keep food at desired temperatures. Ice cream should be firm and ice cubes should not melt in the freezer. To switch the display from Fahrenheit to Celsius, press the Freezer button first to wake the display then press and hold the Freezer and Smart Grid buttons until you hear a beep and the settings in the display change.

Q: How do I set the freezer temperature?

A: Continually press the **Freezer** button on the control panel until the desired temperature appears. The numbers will cycle from highest to lowest and then return to the highest again with continuous pressing.

Q: Why do I hear a buzzing noise from my freezer periodically?

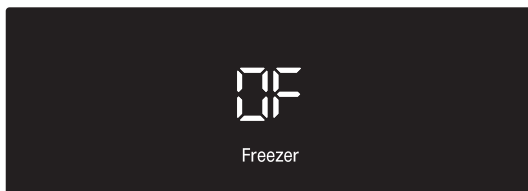
A: This may happen if you do not have a water source attached to your freezer and the icemaker is turned on. If you do not have a water source attached to the freezer you should turn the icemaker off on the control panel.

Q: Why does the icemaker tray look crooked?

A: This is a normal part of the icemaker cycle. The icemaker tray may appear level or with a slight tilt. The change in position is to assist in the freezing process.

Q: My freezer is powered on and the controls are working, but it's not cooling and the display shows "OF" (see below). What is wrong?

A: The freezer is in Demo Mode. This mode disables cooling to save energy while the appliance is on display in a store. To restore normal operation, press Freezer button first to wake the display then press and hold the Freezer and Water Filter Reset buttons until you hear a beep and the temperature setting appears in the display. Use the same procedure to return the freezer to Demo Mode, if desired.



Before Calling for Service

Review this section before calling for service; doing so will save you both time and money.

Cooling

Problem	Possible Cause	Solutions
Refrigerator and Freezer section are not cooling.	The control is set to OFF (some models).	Turn the control ON. Refer to the Setting the Controls section for proper temperature settings.
	Appliance is set to Demo Mode.	Demo Mode allows the lights and control display to work normally while disabling cooling, to save energy while the appliance is on the showroom floor. See the FAQs section of this manual for instructions on how to disable Demo Mode.
	Appliance is in the defrost cycle.	During the defrost cycle, the temperature of each compartment may rise slightly. Wait 30 minutes and confirm the proper temperature has been restored once the defrost cycle has completed.
	Appliance was recently installed.	It may take up to 24 hours for each compartment to reach the desired temperature.
	Appliance was recently relocated.	If the appliance was stored for a long period of time or moved on its side, it is necessary for the appliance to stand upright for 24 hours before connecting it to power.
Cooling system runs too much.	Appliance is replacing an older model.	Modern appliances require more operating time but use less energy due to more efficient technology.
	Appliance was recently plugged in or power restored.	The appliances will take up to 24 hours to cool completely.
	The door is opened often or a large amount of food / hot food was added.	Adding food and opening the door warms the freezer, requiring the compressor to run longer in order to cool the freezer back down. In order to conserve energy, try to get everything you need out of the freezer at once, keep food organized so it is easy to find, and close the door as soon as the food is removed. (Refer to the Food Storage Guide.)
	Doors are not closed completely.	Firmly push the doors shut. If they will not shut all the way, see the "Doors will not close correctly or pop open" section.
	Freezer is installed in a hot location.	The compressor will run longer under warm conditions. At normal room temperatures (70 °F) expect your compressor to run about 40 % to 80 % of the time. Under warmer conditions, expect it to run even more often. The freezer should not be operated above 110 °F.

Cooling

Problem	Possible Cause	Solutions
Interior moisture buildup.	Doors are opened often or for long periods of time.	When the doors are opened often or for long periods of time, warm, humid air enters the compartment. This raises the temperature and moisture level within the compartment. To lessen the effect, reduce the frequency and duration of door openings.
	Doors are not closed correctly.	See the "Doors will not close correctly or pop open" section.
	Weather is humid.	Humid weather allows additional moisture to enter the compartments when the doors are opened leading to condensation or frost. Maintaining a reasonable level of humidity in the home will help to control the amount of moisture that can enter the compartments.
	Defrost cycle recently completed.	During the defrost cycle, the temperature of each compartment may rise slightly and condensation may form on the back wall. Wait 30 minutes and confirm that the proper temperature has been restored once the defrost cycle has completed.
	Food is not packaged correctly.	Food stored uncovered or unwrapped, and damp containers can lead to moisture accumulation within each compartment. Wipe all containers dry and store food in sealed packaging to prevent condensation and frost.
Freezer is too warm.	Freezer was recently installed.	It may take up to 24 hours for each compartment to reach the desired temperature.
	The air vents are blocked.	Locate air vents by using your hand to sense airflow and move all packages that block vents and restrict airflow. Rearrange items to allow air to flow throughout the compartment.

Cooling/Ice & Water

Problem	Possible Cause	Solutions
Freezer is too warm.	Doors are opened often or for long periods of time.	When the doors are opened often or for long periods of time, warm, humid air enters the compartment. This raises the temperature and moisture level within the compartment. To lessen the effect, reduce the frequency and duration of door openings.
	Unit is installed in a hot location.	The freezer should not be operated in temperatures above 110 °F.
	A large amount of food or hot food was added to the compartment.	Adding food warms the compartment requiring the cooling system to run. Allowing hot food to cool to room temperature before putting it in the freezer will reduce this effect.
	Doors not closed correctly.	See the Doors will not close correctly or pop open section in Parts & Features Troubleshooting.
	Temperature control is not set correctly.	If the temperature is too warm, adjust the control one increment at a time and wait for the temperature to stabilize.
	Defrost cycle has recently completed.	During the defrost cycle, the temperature of the compartment may rise slightly and condensation may form on the back wall. Wait 30 minutes and confirm the proper temperature has been restored once the defrost cycle has completed.
Freezer is too cold.	Incorrect temperature control settings.	If the temperature is too cold, adjust the control one increment at a time and wait for the temperature to stabilize. Refer to the Control Panel for more information.
Frost or ice crystals form on frozen food (inside of sealed package).	Condensation from food with a high water content has frozen inside of the food package.	This is normal for food items with a high water content.
	Food has been left in the freezer for a long period of time.	Do not store food items with high water content in the freezer for a long period of time.
Frost or ice crystals form on frozen food (outside of package).	Door is opened frequently or for long periods of time.	When the doors are opened often or for long periods of time, warm, humid air enters the compartment. This raises the temperature and moisture level within the compartment. Increased moisture will lead to frost and condensation. To lessen the effect, reduce the frequency and duration of door openings.
	Door is not closing properly.	Refer to the Doors will not close correctly or pop open section in the Troubleshooting section.

Ice & Water

Problem	Possible Cause	Solutions
Icemaker is not making enough ice.	Demand exceeds ice storage capacity.	The icemaker will produce approximately 70-184 cubes in a 24 hour period.
	House water supply is not connected, valve is not turned on fully, or valve is clogged.	Connect the freezer to a cold water supply with adequate pressure and turn the water shutoff valve fully open. If the problem persists, it may be necessary to contact a plumber.
	Water filter has been exhausted.	Replacing the water filter is recommended: Approximately every six months. When the water filter indicator turns on. When the water dispenser output decreases. When the ice cubes are smaller than normal.
	Low house water supply pressure.	The water pressure must be between 20 and 120 psi on models without a water filter and between 40 and 120 psi on models with a water filter. If the problem persists, it may be necessary to contact a plumber.
	Reverse Osmosis filtration system is used.	Reverse osmosis filtration systems can reduce the water pressure below the minimum amount and result in icemaker issues. (Refer to the Connecting the Water Line section.)
	Tubing connecting freezer to house supply valve is kinked.	The tubing can kink when the freezer is moved during installation or cleaning resulting in reduced water flow. Straighten or repair the water supply line and arrange it to prevent future kinks.
	Doors are opened often or for long periods of time.	If the doors of the unit are opened often, ambient air will warm the freezer which will prevent the unit from maintaining the set temperature. Lowering the freezer temperature can help, as well as not opening the doors as frequently.
	Doors are not closed completely.	If the doors are not properly closed, ice production will be affected. See the "Doors will not close correctly or pop open" section in Parts & Features Troubleshooting for more information.
	The temperature setting for the freezer is too warm.	The recommended temperature for the freezer compartment for normal ice production is 0°F. If the freezer temperature is warmer, ice production will be affected.
Icemaker is not making ice	Freezer was recently installed or icemaker recently connected.	It may take up to 24 hours for each compartment to reach the desired temperature and for the icemaker to begin making ice.
	Icemaker not turned on.	Locate the icemaker ON/OFF and confirm that it is turned on.

Ice & Water

Problem	Possible Cause	Solutions
Icemaker is not making ice	The ice detecting sensor is obstructed.	Foreign substances or frost on the ice-detecting sensor can interrupt ice production. Make sure that the sensor area is clean at all times for proper operation.
	The freezer is not connected to a water supply or the supply shutoff valve is not turned on.	Connect the freezer to the water supply and turn the water shutoff valve fully open.
	Icemaker shutoff (arm or sensor) obstructed.	If your icemaker is equipped with an ice shutoff arm, make sure that the arm moves freely. If your icemaker is equipped with the electronic ice shutoff sensor, make sure that there is a clear path between the two sensors.
	Reverse osmosis water filtration system is connected to your cold water supply.	Reverse osmosis filtration systems can reduce the water pressure below the minimum amount and result in icemaker issues. (Refer to the Connecting the Water Line section.)
Ice has bad taste or odor.	Water supply contains minerals such as sulfur.	A water filter may need to be installed to eliminate taste and odor problems. NOTE: In some cases, a filter may not help. It may not be possible to remove all minerals/odor/taste in all water supplies.
	Icemaker was recently installed.	Ice that has been stored for too long will shrink, become cloudy, and may develop a stale taste. Throw away old ice and make a new supply.
	The food has not been stored properly in the compartment.	Rewrap the food. Odors may migrate to the ice if food is not wrapped properly.
	The interior of the freezer needs to be cleaned.	See the Maintenance section for more information.
Icemaker is making too much ice.	The ice storage bin needs to be cleaned.	Empty and wash the bin (discard old cubes). Make sure that the bin is completely dry before reinstalling it.
	Icemaker shutoff (arm/ sensor) is obstructed.	Empty the ice bin. If your icemaker is equipped with an ice shutoff arm, make sure that the arm moves freely. If your icemaker is equipped with the electronic ice shutoff sensor, make sure that there is a clear path between the two sensors. Reinstall the ice bin and wait 24 hours to confirm proper operation.

Parts & Features

Problem	Possible Cause	Solutions
Doors will not close correctly or pop open.	Food packages are blocking the door open.	Rearrange food containers to clear the door and door shelves.
	Ice bin, crisper cover, pans, shelves, door bins, or baskets are out of position.	Push bins all the way in and put crisper cover, pans, shelves and baskets into their correct positions. See the Operation section for more information.
	The doors were removed during product installation and not properly replaced.	Remove and replace the doors according to the installation instructions.
	Freezer is not leveled properly.	See Door Alignment in the installation instructions to level freezer.
Door is difficult to open.	The gaskets are dirty or sticky.	Clean the gaskets and the surfaces that they touch. Rub a thin coat of appliance polish or kitchen wax on the gaskets after cleaning.
	Door was recently closed.	When you open the door, warmer air enters the freezer. As the warm air cools, it can create a vacuum. If the door is hard to open, wait one minute to allow the air pressure to equalize, then see if it opens more easily.
Lights do not work.	LED interior lighting failure.	The freezer compartment lamp is LED interior lighting, and service should be performed by a qualified technician.
The interior of the freezer is covered with dust or soot.	The freezer is located near a fire source, such as a fireplace, chimney, or candle.	Make sure that the freezer is not located near a fire source, such as a fireplace, chimney or candle.

Noises

Problem	Possible Cause	Solutions
Clicking	The defrost control will click when the automatic defrost cycle begins and ends. The thermostat control (or refrigerator control on some models) will also click when cycling on and off.	Normal Operation
Rattling	Rattling noises may come from the flow of refrigerant, the water line on the back of the unit, or items stored on top of or around the freezer.	Normal Operation
	Freezer is not resting solidly on the floor.	Floor is weak or uneven or leveling legs need to be adjusted. See the Leveling and Door Alignment section.
	Freezer with linear compressor was jarred while running.	Normal Operation
Whooshing	Evaporator fan motor is circulating air through the freezer compartment.	Normal Operation
	Air is being forced over the condenser by the condenser fan.	Normal Operation
Gurgling	Refrigerant flowing through the cooling system.	Normal Operation
Popping	Contraction and expansion of the inside walls due to changes in temperature.	Normal Operation
Sizzling	Water dripping on the defrost heater during a defrost cycle.	Normal Operation
Vibrating	If the side or back of the freezer is touching a cabinet or wall, some of the normal vibrations may make an audible sound.	To eliminate the noise, make sure that the sides and back cannot vibrate against any wall or cabinet.
Dripping	Water running into the drain pan during the defrost cycle.	Normal Operation
Pulsating or high-pitched sound	Your freezer is designed to run more efficiently to keep your food items at the desired temperature. The high efficiency compressor may cause your new freezer to run longer than your old one, but it is still more energy efficient than previous models. While the freezer is running, it is normal to hear a pulsating or high-pitched sound.	Normal Operation

Wi-Fi Network

Problem	Possible Cause	Solutions
<p>Your home appliance and smartphone is not connected to the Wi-Fi network.</p>	<p>The password for the Wi-Fi that you are trying to connect to is incorrect.</p>	<ul style="list-style-type: none"> Find the Wi-Fi network connected to your smartphone and remove it, then register your appliance on SIGNATURE KITCHEN SUITE application
	<p>Mobile data for your smartphone is turned on.</p>	<ul style="list-style-type: none"> Turn off the Mobile data of your smartphone and register the appliance using the Wi-Fi network.
	<p>The wireless network name (SSID) is set incorrectly.</p>	<ul style="list-style-type: none"> The wireless network name (SSID) should be a combination of English letters and numbers. (Do not use special characters.)
	<p>The router frequency is not 2.4 GHz.</p>	<ul style="list-style-type: none"> Only a 2.4 GHz router frequency is supported. Set the wireless router to 2.4 GHz and connect the appliance to the wireless router. To check the router frequency, check with your Internet service provider or the router manufacturer.
	<p>The distance between the appliance and the router is too far.</p>	<ul style="list-style-type: none"> If the distance between the appliance and the router is too far, the signal may be weak and the connection may not be configured correctly. Move the location of the router so that it is closer to the appliance.

LIMITED WARRANTY

FOR USA

Should your SIGNATURE KITCHEN SUITE (“Product”) fail due to a defect in materials or workmanship under normal and proper use, during the warranty period set forth below, SIGNATURE KITCHEN SUITE will, at its option, repair or replace the Product. This limited warranty is valid only to the original retail purchaser of the Product and applies only when purchased and used within the United States including U.S. Territories.

WARRANTY PERIOD			
Refrigerator/ Freezer	Sealed System (Condenser, Dryer, Connecting Tube and Evaporator)	Compressor	
Three (3) years from the date of original retail purchase	Five (5) years from the date of original retail purchase	Five (5) years from the date of original retail purchase	Linear / Inverter Compressor Only : Parts Only for years 6-10 from the date of original retail purchase (Consumer will be charged for labor)
Parts and Labor (internal/ functional parts only)	Parts and Labor	Parts and Labor	

- Replacement products and parts are warranted for the remaining portion of the original warranty period or ninety (90) days, whichever is greater.
- Replacement products and parts may be new, reconditioned, refurbished, or otherwise factory remanufactured.
- Proof of original retail purchase specifying the Product model and date of purchase is required to obtain warranty service under this limited warranty.

EXCEPT TO THE EXTENT PROHIBITED BY APPLICABLE LAW, ANY IMPLIED WARRANTY OF MERCHANTABILITY OR FITNESS FOR A PARTICULAR PURPOSE ON THE PRODUCT IS LIMITED IN DURATION TO THE DURATION OF THE ABOVE LIMITED WARRANTY. UNDER NO CIRCUMSTANCES SHALL SIGNATURE KITCHEN SUITE OR ITS U.S. DISTRIBUTORS/DEALERS BE LIABLE FOR ANY INDIRECT, INCIDENTAL, CONSEQUENTIAL, SPECIAL, OR PUNITIVE DAMAGES, INCLUDING, WITHOUT LIMITATION, LOST GOODWILL, LOST REVENUES OR PROFITS, WORK STOPPAGE, IMPAIRMENT OF OTHER GOODS, COST OF REMOVAL AND REINSTALLATION OF THE PRODUCT, LOSS OF USE, OR ANY OTHER DAMAGES WHETHER BASED IN CONTRACT, TORT, OR OTHERWISE. SIGNATURE KITCHEN SUITE’S TOTAL LIABILITY, IF ANY, SHALL NOT EXCEED THE PURCHASE PRICE PAID BY YOU FOR THE PRODUCT.

Some states do not allow the exclusion or limitation of incidental or consequential damages or limitations on how long an implied warranty lasts, so the above exclusions or limitations may not apply to you. This limited warranty gives you specific legal rights and you may also have other rights that vary from state to state.

THIS LIMITED WARRANTY DOES NOT COVER:

- Service trips to deliver, pick up, or install, educate how to operate, correct wiring, or correct unauthorized repairs.
- Damage or failure of the Product to perform during power failures and interrupted or inadequate electrical service.
- Damage or failure caused by leaky or broken water pipes, frozen water pipes, restricted drain lines, inadequate or interrupted water supply or inadequate supply of air.
- Damage resulting from operating the product in a corrosive atmosphere or contrary to the product owner’s manual.

40 LIMITED WARRANTY

- Damage or failure to the Product caused by accidents, pests and vermin, lightning, wind, fire, floods, acts of God, or any other causes beyond the control of SIGNATURE KITCHEN SUITE.
- Damage or failure caused by unauthorized modification or alteration, or if used for other than the intended purpose.
- Damage or failure resulting from misuse, abuse, improper installation, repair, or maintenance. Improper repair includes use of parts not authorized by SIGNATURE KITCHEN SUITE. Improper installation or maintenance includes installation or maintenance contrary to the Product owner's manual or installation manual.
- Damage or failure caused by incorrect electrical current, voltage, or plumbing codes.
- Damage or failure caused by transportation and handling, including scratches, dents, chips, and/or other damage to the finish of the Product, unless such damage is reported within one (1) week of delivery.
- Damage or missing items to any display, open box, or discounted Product.
- Refurbished Product or any Product sold "As Is", "Where Is", "With all Faults", or similar disclaimer.
- Products with original serial numbers that have been removed, altered, or cannot be readily determined.
- Increases in utility costs and additional utility expenses.
- Any noises associated with normal operation.
- Use of accessories (e.g., water filters, etc.), components, or consumable cleaning products that are not authorized by SIGNATURE KITCHEN SUITE.
- Replacement of light bulbs, filters, or any consumable parts.
- When Product is used for other than normal and proper household use (e.g. commercial or industrial use, offices, and recreational facilities or vehicles) or contrary to the instructions outlined in the Product's owner's manual.
- Costs associated with removal and reinstallation of your Product for repairs.
- Shelves, door bins, drawers, handle and accessories, except for internal/functional parts covered under this limited warranty.

The cost of repair or replacement under these excluded circumstances shall be borne by the consumer.

TO OBTAIN WARRANTY SERVICE AND ADDITIONAL INFORMATION

Call 1-855-790-6655 and select the appropriate option from the menu.

Or visit our website at <http://www.signaturekitchensuite.com>.

Or by mail: SIGNATURE KITCHEN SUITE Customer Service P.O. Box 240007 Huntsville, AL 35813 ATTN: CIC



MANUEL DU PROPRIÉTAIRE CONGÉLATEUR INTÉGRÉ

Veillez lire attentivement le présent manuel de l'utilisateur avant de faire fonctionner l'appareil et conservez-le à portée de la main pour le consulter en tout temps.

SKSCF1801P
SKSCF2401P
SKSCF3001P

www.signaturekitchensuite.com

TABLE DES MATIÈRES

3 CARACTÉRISTIQUES DU PRODUIT

4 CONSIGNES DE SÉCURITÉ

4 CONSIGNES DE SÉCURITÉ IMPORTANTES

8 CARACTÉRISTIQUES DU PRODUIT

9 APERÇU DU PRODUIT

9 Intérieur

10 FONCTIONNEMENT

10 Avant l'utilisation

11 Panneau de commande

13 Bac à glaçons

13 Machine à glaçons automatique

13 Stockage des aliments

17 Réglage des tablettes

18 FONCTIONS INTELLIGENTES

18 Application SIGNATURE KITCHEN SUITE

20 Fonction Réseau intelligent

21 Fonction Smart Diagnosis^{MC}

24 ENTRETIEN

24 Nettoyage

25 Remplacement du filtre à eau

30 DÉPANNAGE

30 Foire aux questions

31 Avant d'appeler le réparateur

39 GARANTIE LIMITÉE

CARACTÉRISTIQUES DU PRODUIT

Selon le modèle, certaines des fonctions suivantes pourraient ne pas être offertes.

AVERTISSEUR DE PORTE OUVERTE

L'avertisseur de porte ouverte est conçu pour prévenir un dysfonctionnement du congélateur qui pourrait se produire si une porte demeure ouverte. Si une porte demeure ouverte pendant plus de 60 secondes, un signal sonore d'avertissement se fait entendre à des intervalles de 30 secondes.

GLACE PLUS


La production de glace est augmentée lorsque le congélateur est maintenu à la température la plus froide pendant une période de 24 heures.

CONSIGNES DE SÉCURITÉ

LISEZ TOUTES LES CONSIGNES AVANT L'UTILISATION

Il est très important d'assurer votre sécurité et celle des autres.

Nous fournissons de nombreux conseils de sécurité importants dans ce manuel et sur votre appareil. Lisez toujours l'ensemble des messages de sécurité et respectez-les.

 Ceci est le symbole d'alerte de sécurité.
Ce symbole est destiné à vous alerter des dangers potentiels pouvant entraîner la mort ou des blessures.
Tous les messages de sécurité seront précédés du symbole d'alerte de sécurité et du terme AVERTISSEMENT ou MISE EN GARDE.

Voici le message que ces mots véhiculent :

AVERTISSEMENT

Vous pouvez être tué ou grièvement blessé si vous ne suivez pas les consignes.

MISE EN GARDE

Vous pouvez être légèrement blessé ou pouvez endommager le produit si vous ne suivez pas les consignes.

Tous les messages de sécurité vous indiqueront quel est le danger potentiel, comment réduire les risques de blessures et ce qui peut se produire en cas de non-respect des consignes.

CONSIGNES DE SÉCURITÉ IMPORTANTES

AVERTISSEMENTS

Pour réduire les risques d'explosion, d'incendie, de mort, de décharge électrique, de brûlure ou de blessures lors de l'utilisation de l'appareil, prenez les précautions élémentaires, y compris les suivantes :

FONCTIONNEMENT

- L'appareil n'est pas conçu pour être utilisé à des fins spéciales, comme l'entreposage de médicaments ou de matériaux d'essai, ni pour être utilisé sur des bateaux, etc.
- NE permettez PAS aux enfants de grimper ou de se tenir sur les portes du congélateur ou les tablettes à l'intérieur de celui-ci, ni de s'accrocher à ces mêmes portes et tablettes. Ils pourraient endommager le congélateur et se blesser sérieusement.
- Ne permettez pas aux enfants de grimper à l'intérieur du congélateur. Ils pourraient demeurer coincés et suffoquer.
- La surveillance des enfants est requise afin de s'assurer qu'ils ne jouent pas avec le congélateur.
- Gardez les doigts à l'écart des points de pincement lorsque vous ouvrez ou fermez les portes. Soyez prudent lorsque vous fermez les portes de l'appareil et que des enfants se trouvent à proximité de celui-ci.
- Ne touchez pas les aliments surgelés ou les composants métalliques du congélateur si vos mains sont mouillées ou humides. Cela pourrait entraîner des gelures.
- Ne recongelez pas des aliments surgelés qui ont été complètement décongelés. Cela pourrait être dangereux pour la santé.
- Un circuit de dérivation ou un disjoncteur correctement mis à la terre est recommandé.
- N'utilisez pas de fiche d'adaptation et ne branchez pas la fiche d'alimentation électrique sur une rallonge électrique à prises multiples.
- N'utilisez pas de cordon qui présente des fissures ou des traces d'abrasion sur sa longueur ou encore à l'extrémité de la fiche ou à celle du connecteur. Demandez à un employé d'un centre de services autorisé de remplacer ou de réparer immédiatement tout cordon d'alimentation dénudé, effiloché ou autrement endommagé.
- Ne faites pas fonctionner le congélateur et ne touchez pas le cordon d'alimentation si vos mains sont mouillées.
- Ne modifiez et ne prolongez pas le cordon d'alimentation.
- N'utilisez pas de prises de courant non homologuées. Ne branchez pas l'appareil sur une prise de courant murale si celle-ci est endommagée.
- Ne placez pas vos mains, vos pieds ou des objets dans les événements d'aération ou au bas du congélateur. Cela pourrait causer des blessures ou provoquer une décharge électrique.
- En cas de fuite de gaz (propane, GPL), assurez-vous que les lieux sont bien ventilés et contactez un centre de services autorisé avant de remettre l'appareil en fonction. Ne touchez pas au congélateur ou au bouton d'alimentation du congélateur.
- Coupez l'alimentation de l'appareil immédiatement et appelez un centre de services autorisé si l'appareil émet des bruits ou des odeurs étranges ou de la fumée.
- N'utilisez pas de fusible (comme du cuivre, un fil d'acier), à l'exception d'un fusible standard.
- Ne placez pas et n'utilisez pas d'appareil électrique à l'intérieur du congélateur, sauf s'il s'agit d'un type d'appareil recommandé par le fabricant.
- Ne placez pas d'animaux à l'intérieur de l'appareil.
- Évitez tout contact avec les pièces mobiles du mécanisme d'éjection ou avec l'élément chauffant qui libère les cubes de glace. NE placez PAS vos doigts dans la machine à glaçons automatique lorsque le congélateur est branché.
- Cet appareil n'est pas destiné à être utilisé par des personnes (y compris des enfants) ayant des capacités physiques, sensorielles ou mentales réduites, ou un manque d'expérience et de connaissances, à moins d'être sous surveillance ou d'avoir reçu des instructions concernant l'utilisation de l'appareil de la part d'une personne responsable de leur sécurité.
- En cas de branchement sur un circuit protégé par des fusibles, utilisez un fusible temporisé.

ENTRETIEN

- N'utilisez pas de séchoir à cheveux pour sécher l'intérieur du congélateur.
- N'allumez pas de bougie pour dissiper les odeurs à l'intérieur du congélateur.
- Si une fuite de frigorigène survient, éloignez les objets inflammables du congélateur. Assurez-vous que les lieux sont bien ventilés et contactez un centre de services autorisé.
- Éloignez du congélateur toutes les matières et vapeurs inflammables, comme l'essence.
- Cet appareil est conçu pour être utilisé à des fins domestiques et à d'autres fins de ce type, par exemple dans le coin cuisine du personnel des magasins, des bureaux et d'autres environnements de travail; dans les fermes et par les clients des hôtels, des motels et d'autres environnements de type résidentiel; dans des environnements comme les gîtes; pour des applications dans le domaine de la restauration et de la vente en gros.
- Coupez l'alimentation avant de nettoyer ou de réparer le congélateur.
- L'éclairage à l'intérieur du congélateur est un éclairage à DEL, et son entretien doit être réalisé par un technicien qualifié.
- Coupez l'alimentation immédiatement en cas de panne de courant ou d'orage.
- Éteignez l'alimentation du congélateur si de l'eau ou de la poussière pénètre à l'intérieur de celui-ci. Appelez un agent du centre de services.
- Ne placez pas de contenants en verre ni de boissons gazeuses dans le congélateur. Le contenu liquide peut prendre de l'expansion lorsqu'il est congelé, endommager le contenant et causer des blessures.
- N'entreposez pas, ne démontez pas et ne réparez pas l'appareil vous-même, et ne laissez pas un employé non qualifié le faire.
- Si le cordon d'alimentation électrique est endommagé, il ne doit être remplacé que par le fabricant, son agent d'entretien ou une personne ayant les mêmes compétences, et ce, afin d'éviter tout risque.
- Ne rangez pas de substances explosives telles que des aérosols avec un gaz propulseur inflammable dans cet appareil.

MISE AU REBUT

- Les congélateurs abandonnés sont dangereux, même si cette situation ne dure que quelques jours. Lorsque vous voulez mettre le congélateur au rebut, retirez les matériaux d'emballage des portes ou retirez les portes en laissant les tablettes en place afin que les enfants ne puissent pas grimper facilement à l'intérieur de l'appareil.
- Si vous souhaitez mettre le congélateur au rebut, assurez-vous que le frigorigène a été retiré et qu'il sera éliminé de façon adéquate par un employé d'un centre de services qualifié. Si vous êtes responsable d'une fuite de frigorigène, vous pourriez devoir payer une amende ou vous pourriez être emprisonné en vertu des lois environnementales applicables.

CONSIGNES DE MISE À LA TERRE

- Un raccordement incorrect du conducteur de mise à la terre de l'appareil peut entraîner un risque de décharge électrique. Consultez un électricien ou un technicien d'entretien qualifié si vous avez un doute à savoir si l'appareil est correctement mis à la terre. Ne modifiez pas la fiche fournie avec l'appareil. Dans le cas où celle-ci ne serait pas adaptée à la prise, faites installer une prise adéquate par un électricien qualifié.
- Assurez-vous qu'un électricien qualifié examine la prise de courant murale et le câblage, et qu'il confirme que la mise à la terre est adéquate.

MISES EN GARDE

Pour réduire les risques de blessures mineures, de pannes ou de dommages causés à l'appareil ou à la propriété lors de l'utilisation de l'appareil, prenez les précautions élémentaires, y compris les suivantes :

INSTALLATION

- N'installez pas le congélateur à un endroit à partir duquel il risque de tomber.
- Le congélateur doit être installé correctement, conformément aux instructions d'installation.

FONCTIONNEMENT

- N'utilisez pas d'aérosols à proximité du congélateur.
- L'appareil est conçu pour être utilisé seulement à des fins domestiques et à d'autres fins de ce type.
- N'appliquez pas une force excessive et ne frappez pas sur toute surface de verre. Ne touchez pas les surfaces de verre si elles sont fissurées ou endommagées.
- Ne placez pas trop d'articles ou des articles trop rapprochés les uns des autres dans les balconnets. Cela pourrait endommager les balconnets ou causer des blessures aux utilisateurs si les articles sont retirés des balconnets avec force.
- Ne placez pas une quantité excessive d'aliments dans l'appareil. Cela pourrait causer des blessures aux utilisateurs ou des dommages matériels.

ENTRETIEN

- N'utilisez pas de puissants détergents comme de la cire ou des diluants pour nettoyer l'appareil. Nettoyez-le à l'aide d'un linge doux.
- Retirez les corps étrangers (comme la poussière et l'eau) des zones de contact et des broches de la fiche d'alimentation. N'utilisez pas un linge mouillé ou humide pour nettoyer la fiche.
- Ne vaporisez pas d'eau directement sur les surfaces intérieures ou extérieures du congélateur.
- Ne nettoyez pas les tablettes ou les couvercles en verre avec de l'eau chaude lorsqu'ils sont froids. Une exposition à un changement brusque de température peut les endommager.

AVERTISSEMENTS

- Maintenez libres de toute obstruction les ouvertures de ventilation qui se trouvent dans l'enceinte de l'appareil ou dans la structure intégrée.
- N'utilisez pas de dispositifs mécaniques ou d'autres moyens pour accélérer le processus de dégivrage autres que ceux recommandés par le fabricant.
- N'endommagez pas le circuit frigorifique.
- N'utilisez pas d'appareils électriques à l'intérieur des compartiments pour nourriture de l'appareil, sauf s'ils sont du type recommandé par le fabricant.
- En raison du réfrigérant et du gaz de soufflage d'isolation utilisés dans cet appareil, des procédures spéciales de mise au rebut sont nécessaires. Avant d'en disposer, veuillez consulter l'agent de service ou une autre personne qualifiée.



Cet appareil contient une petite quantité de réfrigérant isobutane (R600a); il s'agit d'un gaz naturel à haute compatibilité environnementale, mais qui est également combustible. Lors du transport et de l'installation de l'appareil, veillez à ce qu'aucune partie du circuit frigorifique ne soit endommagée. En cas de fuite du réfrigérant, celui-ci pourrait s'enflammer ou provoquer une blessure aux yeux. Si une fuite est détectée, éloignez les flammes nues ou les sources potentielles d'inflammation et aérez la pièce dans laquelle l'appareil se trouve pendant plusieurs minutes.

Afin d'éviter la formation d'un mélange d'air et de gaz inflammable en cas de fuite dans le circuit frigorifique, la taille de la pièce dans laquelle l'appareil est utilisé est déterminée selon la quantité de réfrigérant utilisée. La pièce doit avoir une taille de 1 m² pour chaque 8 g de réfrigérant R600a dans l'appareil. La quantité de réfrigérant qui se trouve dans votre appareil est indiquée sur la plaque d'identification située à l'intérieur de celui-ci. Ne mettez jamais en marche un appareil qui présente des signes de dommages. En cas de doute, consultez votre revendeur.

GARDEZ CES CONSIGNES

CARACTÉRISTIQUES DU PRODUIT

L'aspect et les caractéristiques énumérés dans le présent manuel peuvent varier en raison des constantes améliorations apportées au produit.

Alimentation : 115 V, 60 Hz

Pression de l'eau min./max. : 20 à 120 psi (138 à 827 kPa)

Modèle SKSCF1801P	
Description	Congélateur intégré
Poids net	304 lb (138 kg)

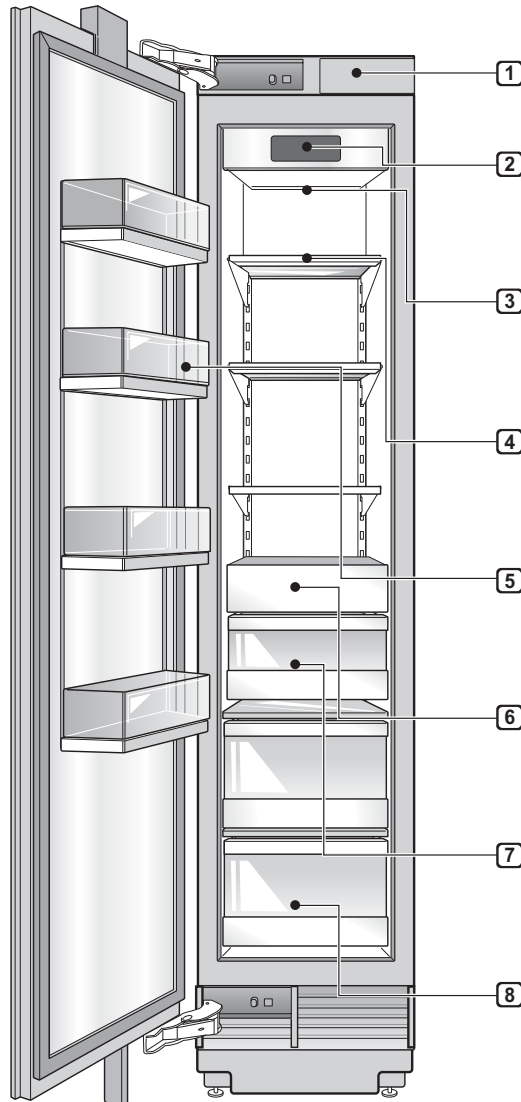
Modèle SKSCF2401P	
Description	Congélateur intégré
Poids net	346 lb (157 kg)

Modèle SKSCF3001P	
Description	Congélateur intégré
Poids net	403 lb (183 kg)

APERÇU DU PRODUIT

Les illustrations fournies dans ce manuel peuvent être différentes des composants et accessoires réels, lesquels peuvent faire l'objet de modifications par le fabricant sans avis préalable à des fins d'amélioration du produit.

Intérieur



- 1** **Filtre à eau**
Purifie l'eau.

REMARQUE

- Le filtre doit être remplacé tous les six mois. Pour plus de détails, veuillez vous référer à la section « Remplacement du filtre à eau » qui se trouve dans ce manuel.

- 2** **Panneau de commande**
Règle la température du congélateur et l'état du filtre à eau.

- 3** **Éclairage à DEL à l'intérieur**
Éclaire l'intérieur du congélateur.

- 4** **Tablette du congélateur ajustable**
Les tablettes du congélateur sont ajustables pour répondre à tout type de besoins en matière de rangement.

- 5** **Balconnet mobile**
Permet de conserver les boissons et les aliments froids.

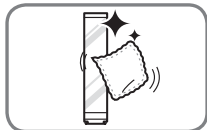
- 6** **Machine à glaçons**

- 7** **Stockage des glaçons**

- 8** **Tiroir**

FONCTIONNEMENT

Avant l'utilisation

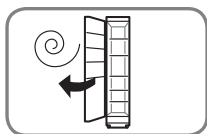


Nettoyez le congélateur.

Nettoyez le congélateur à fond et enlevez toute la poussière qui s'est accumulée pendant le transport.

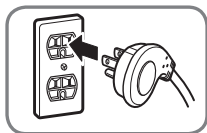
⚠ MISES EN GARDE

- Ne grattez pas le congélateur avec un objet pointu et n'utilisez pas de détergent qui contient de l'alcool, du liquide inflammable ou une substance abrasive pour retirer le ruban adhésif ou la colle du congélateur. Enlevez les résidus de colle en les essuyant avec votre pouce ou du détergent à vaisselle.
- Ne retirez pas l'étiquette du numéro de modèle ou de série ou les informations techniques sur la surface arrière du congélateur.



Ouvrez la porte du congélateur pour aérer l'intérieur.

L'intérieur du congélateur peut dégager une odeur de plastique au début. Enlevez tout ruban adhésif de l'intérieur du congélateur et ouvrez la porte du congélateur à des fins de ventilation.



Branchez l'alimentation.

Vérifiez que l'alimentation est branchée avant l'utilisation.

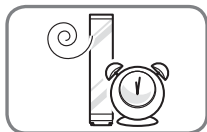


Éteignez la machine à glaçons

Éteignez la machine à glaçons si le congélateur n'est pas encore raccordé à la source d'eau.

REMARQUE

- La vanne d'arrivée d'eau de la machine à glaçons émettra un bourdonnement si elle est réglée sur Marche même si le congélateur n'est pas branché à une arrivée d'eau.

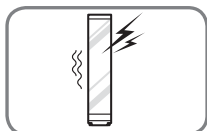


Attendez que le congélateur refroidisse.

Laissez votre congélateur en marche de deux à trois heures au moins avant d'y mettre des aliments. Vérifiez le flux d'air froid dans le congélateur pour assurer un refroidissement correct.

⚠ MISES EN GARDE

- Attendez que les aliments aient refroidi avant de les placer dans le congélateur, sinon ils pourraient se gâter ou laisser une mauvaise odeur tenace à l'intérieur du congélateur.



Le congélateur émet un bruit fort après la mise en marche initiale.

C'est normal. Le volume diminue à mesure que la température baisse.

Panneau de commande

Selon le modèle, certaines des fonctions suivantes pourraient ne pas être offertes.

Caractéristiques du panneau de commande



REMARQUE

• Lorsque le congélateur est placé en mode d'économie d'énergie, l'écran reste éteint jusqu'à ce que la porte soit ouverte ou qu'une touche soit enfoncée. Une fois allumé, l'écran reste allumé pendant 20 secondes.

1 * Water Filter Reset

(réinitialisation du filtre à eau)

Remplacez le filtre à eau si l'icône Replace Filter (changer le filtre) est allumée. Après avoir remplacé le filtre à eau, maintenez enfoncée la touche Replace Filter (changer le filtre) pendant trois secondes pour éteindre la lumière de l'icône. Vous devez changer le filtre à eau environ tous les six mois.

2 Ice Plus (glace plus)

Cette fonction augmente aussi bien les capacités de production de glace que de congélation.

- Appuyez sur la touche Ice Plus (glace plus) pour allumer l'icône et activer la fonction pendant 24 heures. La fonction s'éteindra automatiquement après 24 heures.
- Vous pouvez arrêter cette fonction manuellement en appuyant sur la touche une autre fois.

3 * Ice On/Off (machine à glaçons marche/arrêt)

Appuyez sur la touche Ice On/Off (machine à glaçons marche/arrêt) pendant trois secondes pour allumer ou éteindre la machine à glaçons.

4 Freezer (congélateur)

Indique la température du compartiment du congélateur en Celsius (°C) ou en Fahrenheit (°F). La température par défaut du congélateur est de -18 °C (0 °F).

Appuyez sur la touche Freezer (congélateur) à plusieurs reprises pour sélectionner une nouvelle température entre -21 °C et -13 °C (entre -6 °F et 8 °F).

5 Smart Grid (réseau intelligent)

Appuyez sur la touche **Smart Grid** (réseau intelligent) pour mettre en marche ou éteindre la fonction Réseau intelligent. Lorsque la fonction est

en marche, l'icône s'allume.

La fonction Réseau intelligent se met automatiquement en marche lorsque le congélateur est connecté à un réseau Wi-Fi.

Lorsque le congélateur répond à un message de gestion de la demande (GD) de la compagnie d'électricité, le mot Grid (réseau) s'allume.

6 * Wi-Fi

Lorsqu'elle est utilisée avec l'application pour téléphone intelligent Signature Kitchen Suite, la touche **Wi-Fi** permet au congélateur de se connecter au réseau Wi-Fi de votre domicile.

Consultez la section sur les fonctions intelligentes pour connaître les informations sur la configuration initiale de l'application.

L'icône **Wi-Fi** vous permet de vérifier l'état de connexion au réseau du congélateur. Lorsque le congélateur est connecté au réseau **Wi-Fi**, l'icône est allumée. Appuyez sur la touche Wi-Fi et maintenez-la enfoncée pendant trois secondes pour établir la connexion au réseau. L'icône clignote lorsque la connexion est en cours, et s'allume lorsque la connexion a été établie avec succès.

7 * Power (alimentation)

Le bouton d'alimentation permet de couper l'alimentation électrique de l'appareil.

Appuyez sur la touche d'alimentation et maintenez-la enfoncée pendant trois secondes pour couper l'alimentation. Lorsque l'appareil est hors tension, le témoin lumineux est éteint. Il n'est pas nécessaire de couper l'alimentation à partir du disjoncteur ou de la prise de courant murale. Utilisez cette fonctionnalité lors de l'entretien ou avant de partir pour de longues vacances.

4 et **7** mode SABBAT

Le mode Sabbat est utilisé lors du Sabbat juif et des jours fériés.

- Pour activer le mode Sabbat, appuyez sur l'écran, puis appuyez simultanément sur les boutons Freezer (congélateur) et Power (alimentation) et maintenez-les enfoncés pendant 3 secondes, jusqu'à ce que « Sb » s'affiche à l'écran.
- Le mode Sabbat s'éteint automatiquement après 96 heures.
- Pour désactiver le mode Sabbat manuellement, appuyez simultanément sur les boutons Freezer (congélateur) et Power (alimentation) et maintenez-les enfoncés pendant 3 secondes.
- Une fois activé, le mode Sabbat est maintenu même après une panne de courant.
- La sélection du mode Sabbat désactive automatiquement les fonctionnalités Éclairage et Alarme. La machine à glaçons est également désactivée.
- L'écran situé à l'intérieur de l'appareil reste allumé lorsque le mode Sabbat est activé, mais il n'affiche que « Sb » et les boutons Freezer (congélateur) et Power (alimentation).
- La température du congélateur est réglée à 0 °F (-18 °C) et ne peut pas être modifiée jusqu'à ce que le mode Sabbat soit désactivé.

REMARQUE

- La fonctionnalité Réseau intelligent s'éteint automatiquement en mode Sabbat. Une fois le mode Sabbat éteint, la fonctionnalité Réseau intelligent doit être de nouveau activée manuellement.

⚠ MISES EN GARDE**Mode Présentation (pour une utilisation en magasin uniquement)**

- Le mode Présentation désactive tout refroidissement dans le congélateur afin de conserver l'énergie lors de la présentation en magasin. Lorsque ce mode est activé, l'indication OF apparaît sur le panneau de commande et l'écran s'éteint après 20 secondes lorsque vous fermez la porte.

Pour désactiver ou activer le mode Présentation :

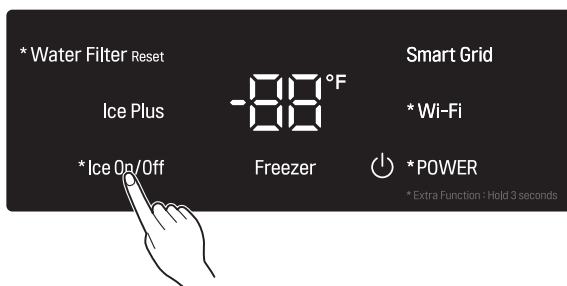
- En laissant la porte ouverte, maintenez enfoncées simultanément les touches Freezer (congélateur) et Water Filter Reset (remplacement du filtre à eau) pendant cinq secondes. Le panneau de commande émet un signal sonore et les réglages de température s'affichent pour confirmer que le mode Présentation est désactivé. Utilisez la même procédure pour activer le mode Présentation.

Bac à glaçons

⚠ MISES EN GARDE

- N'insérez ni vos mains ni vos outils dans le bac à glaçons. Ne pas respecter ces consignes peut entraîner des dommages ou des blessures.
- Jetez les premiers lots de glace produits après l'installation. Cela est également nécessaire si le congélateur n'a pas été utilisé pendant une longue période.

Machine à glaçons automatique



Mise en marche et arrêt de la machine à glaçons automatique

Pour désactiver la machine à glaçons automatique, appuyez sur le bouton **On/Off** (marche/arrêt) des glaçons situé sur l'écran et maintenez-le enfoncé pendant 3 secondes.

Les sons normaux que vous entendrez

- Si vous laissez la machine à glaçons en marche avant qu'elle soit raccordée à l'arrivée d'eau, vous risquez de l'endommager.
- La vanne d'arrivée d'eau de la machine à glaçons émettra un bourdonnement pendant le remplissage de la machine. Si la touche **Ice On/Off** (machine à glaçons marche/arrêt) est réglée sur **ON** (marche), la machine à glaçons bourdonnera même si elle n'est pas encore raccordée à une arrivée d'eau. Pour arrêter ce bourdonnement, appuyez sur la touche **Ice On/Off** (machine à glaçons marche/arrêt) pour éteindre la machine.
- Vous entendrez le son des glaçons tombant dans le bac et l'eau qui circule dans les tuyaux tandis que la machine à glaçons se remplit à nouveau.

Préparation en vue des vacances

Régalez la touche **Ice On/Off** (machine à glaçons marche/arrêt) à **OFF** (arrêt) et coupez l'arrivée d'eau au congélateur.

REMARQUES

- Le bac à glaçons doit être vidé chaque fois que la touche **Ice On/Off** (machine à glaçons marche/arrêt) est réglée sur **OFF** (arrêt).
- Si la température ambiante risque de descendre sous le point de congélation, demandez à un technicien qualifié de drainer le système d'alimentation en eau pour empêcher les dégâts importants que causerait la rupture des lignes ou des conduites d'eau ou des raccords.

Stockage des aliments

⚠ MISES EN GARDE

- Ne placez pas trop d'articles ou des articles trop rapprochés les uns des autres dans les balconnets. Cela pourrait endommager les balconnets ou causer des blessures aux utilisateurs si les articles sont retirés des balconnets avec force.
- Ne rangez pas de contenants en verre dans le congélateur. Le contenu liquide peut prendre de l'expansion lorsqu'il est congelé, endommager le contenant et causer des blessures.

REMARQUES

- Si vous quittez votre domicile pendant une courte période de temps, pour des vacances, par exemple, le congélateur devrait rester allumé. Les aliments réfrigérés qui supportent la congélation se conserveront plus longtemps s'ils sont stockés dans le congélateur.
- Si vous laissez le congélateur éteint pendant une période prolongée, videz-le de tous les aliments et débranchez-le. Nettoyez l'intérieur et laissez la porte ouverte pour empêcher les moisissures de se développer dans le congélateur.
- Si le congélateur est installé dans un endroit chaud et humide, l'ouverture fréquente de la porte ou le fait de stocker beaucoup de légumes dans le congélateur peut provoquer de la condensation. Essuyez la condensation avec un chiffon propre ou une serviette en papier.
- Si la porte est ouverte ou fermée trop souvent, l'air chaud peut pénétrer dans le congélateur et élever sa température. Cela peut aussi accroître le coût de fonctionnement de l'appareil.

Conseils pour le stockage des aliments

Pour conserver les aliments au congélateur, enveloppez-les de pellicule étanche à l'air et résistante à l'humidité ou conservez-les dans des contenants hermétiques, sauf indication contraire. Cela empêche la diffusion de l'odeur et du goût des aliments dans le congélateur. Pour assurer la fraîcheur des produits périssables, vérifiez la date de péremption.

Aliment	Comment le stocker
Beurre ou margarine	Conservez le beurre dont l'emballage est ouvert dans un plat couvert ou un compartiment fermé du réfrigérateur. Lorsque vous en stockez une quantité supplémentaire, enveloppez-la dans un emballage pour congélateur et congelez le tout.
Poisson	Congelez le poisson et les crustacés frais s'ils ne sont pas consommés le jour même de l'achat. Il est recommandé de consommer le poisson et les crustacés frais le jour même de l'achat.

Stockage d'aliments congelés

Consultez un manuel sur les congélateurs ou un livre de recettes fiable pour plus de renseignements sur la préparation d'aliments pour la congélation ou sur les durées de conservation des aliments.

Congélation

Votre congélateur ne pourra congeler rapidement une grande quantité de nourriture. Dans le congélateur, ne placez pas une quantité d'aliments supérieure à celle qui peut être congelée dans un délai de 24 heures (c'est-à-dire pas plus de 2 à 3 livres d'aliments par pied cube d'espace de congélateur). Laissez suffisamment d'espace dans le congélateur pour permettre une circulation d'air autour des emballages. De plus, laissez suffisamment d'espace à l'avant de façon à pouvoir fermer la porte hermétiquement.

Les durées de conservation varieront en fonction de la qualité et du type d'aliments, du type d'emballage et de la pellicule utilisés (degré d'étanchéité à l'air et de résistance à l'humidité) et de la température de stockage. La présence de cristaux de glace dans un emballage scellé est normale. Cela signifie simplement que l'humidité dans les aliments et l'air à l'intérieur de l'emballage ont produit de la condensation, créant des cristaux de glace.

REMARQUE

- Laisser refroidir les aliments chauds à la température ambiante pendant 30 minutes, puis emballez et congelez-les. Le fait de refroidir les aliments chauds avant de les congeler économise de l'énergie.

Emballage

Une congélation réussie dépend d'un emballage adéquat. Lorsque vous fermez et scellez l'emballage, celui-ci ne doit pas permettre l'entrée ou la sortie d'air ou d'humidité. Autrement, l'odeur et le goût des aliments pourraient être diffusés dans le congélateur et les aliments congelés pourraient sécher.

Emballages recommandés

- Contenants de plastique rigides avec couvercles hermétiques
- Bocaux à bords droits pour conserve/congélation
- Papier d'aluminium robuste
- Papier plastifié
- Pellicules plastifiées imperméables
- Sacs en plastique autoadhésifs de qualité pour congélateur

Suivez les instructions sur l'emballage ou le récipient pour les méthodes de congélation adéquates.

N'utilisez pas ce qui suit :

- Papier d'emballage pour pain
- Récipients en plastique sans polyéthylène
- Récipients sans couvercles hermétiques
- Papier paraffiné ou papier d'emballage recouvert de cire pour congélation
- Papier d'emballage mince, semi-perméable

Tiroir de stockage des glaçons et tiroirs du congélateur

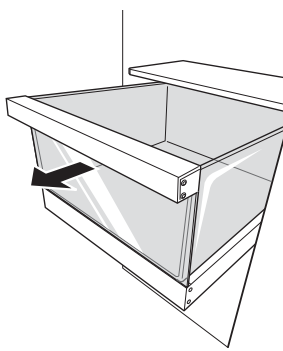
Utilisez le compartiment supérieur pour stocker les aliments surgelés préemballés et les aliments les plus fréquemment utilisés.

Utilisez les compartiments inférieurs pour les gros aliments surgelés et les aliments qui sont stockés pendant des périodes plus longues.

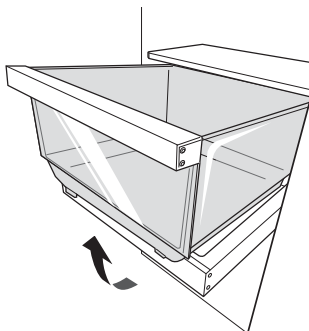
- Les tiroirs coulissants permettent une grande facilité d'accès et d'utilisation.

Retrait des tiroirs

- 1 Tirez le tiroir jusqu'à ce qu'il s'arrête. Videz tout le contenu du tiroir avant de l'enlever.

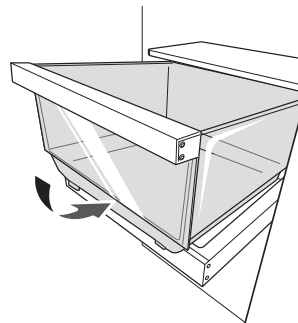


- 2 Soulevez le tiroir vide légèrement pour l'enlever du support.

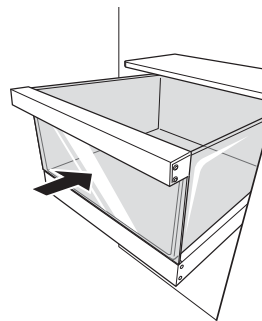


Assemblage du tiroir

- 1 Tirez le support du tiroir jusqu'à ce qu'il s'arrête. Inclinez le tiroir dans son emplacement et placez-le sur le support.



- 2 Faites glisser le tiroir jusqu'à ce qu'il soit en place sur le support. Fermez le tiroir.



⚠ MISES EN GARDE

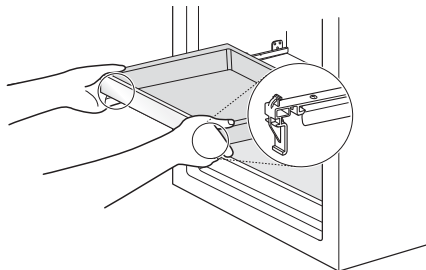
- Les tiroirs sont lourds. Utilisez toujours vos deux mains lorsque vous enlevez ou que vous assemblez les tiroirs afin d'éviter tout dommage ou toute blessure. Videz toujours les tiroirs avant de les enlever ou de les assembler.
- Ouvrez toujours complètement les portes du congélateur avant d'enlever ou d'assembler les tiroirs.

⚠ MISES EN GARDE

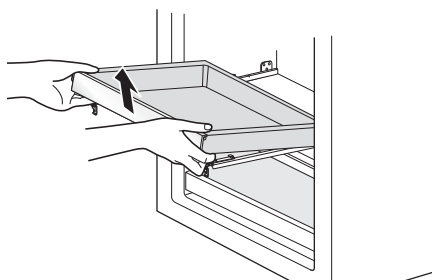
- Les tiroirs sont lourds. Utilisez toujours vos deux mains lorsque vous enlevez ou que vous assemblez les tiroirs afin d'éviter tout dommage ou toute blessure. Videz toujours les tiroirs avant de les enlever.
- Ouvrez toujours complètement les portes avant d'enlever ou d'assembler les tiroirs.

Retrait du support du tiroir

- 1 Appuyez sur les leviers situés de chaque côté du support du tiroir.

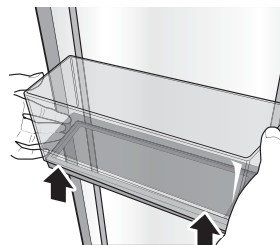


- 2 En continuant d'appuyer simultanément sur les deux leviers, soulevez le support du tiroir légèrement et enlevez-le des rails.



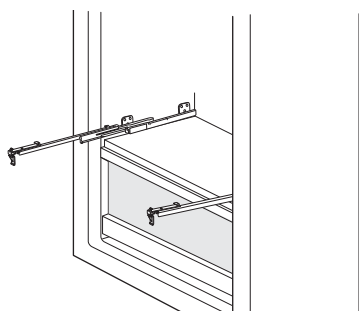
Réglage des balconnets de porte

Pour régler la position du balconnet, inclinez l'avant du balconnet et glissez-le ensuite vers le haut ou vers le bas jusqu'à l'endroit désiré.

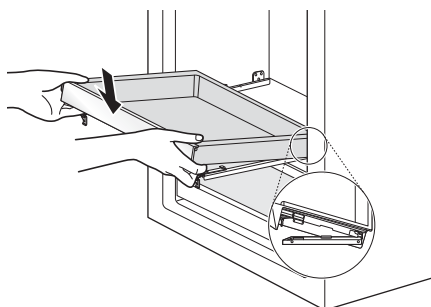


Assemblage du support du tiroir

- 1 Tirez sur les deux rails du tiroir jusqu'à ce qu'ils s'arrêtent.



- 2 Alignez les bords inférieurs sur les côtés du support du tiroir avec la rainure de chaque rail, puis abaissez le support jusqu'à ce que vous entendiez un clic.



Réglage des tablettes

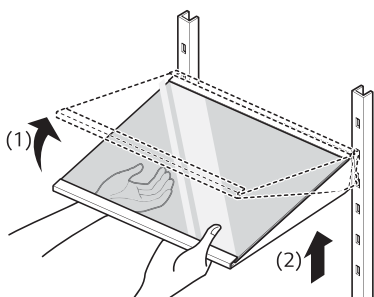
Les tablettes de votre congélateur sont ajustables pour répondre à vos besoins de stockage particuliers.

En réglant la hauteur des tablettes pour y placer des aliments de différentes tailles, vous retrouverez plus facilement ce que vous cherchez.

Retrait de la tablette

1 Faites basculer l'avant de la tablette vers le haut, puis soulevez-la.

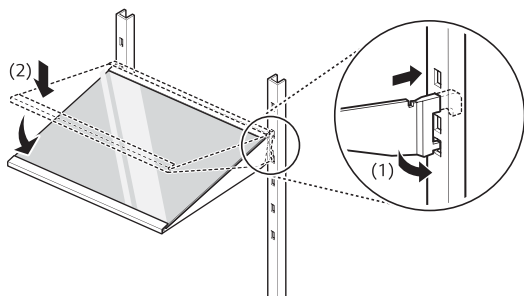
2 Retirez-la.



Assemblage de la tablette

1 Faites basculer l'avant de la tablette vers le haut et guidez les crochets de la tablette dans les fentes à la hauteur désirée.

2 Ensuite, abaissez l'avant de la tablette afin que les crochets tombent dans les fentes.



⚠ MISES EN GARDE

- Assurez-vous que les tablettes sont d'aplomb d'un côté à l'autre. Ne pas le faire peut provoquer la chute de la tablette ou des aliments.
- Ne nettoyez pas les tablettes en verre avec de l'eau chaude lorsqu'elles sont froides. Elles pourraient se briser si elles sont exposées à des changements brusques de température ou à des impacts.
- Les tablettes en verre sont lourdes. Soyez particulièrement prudent lorsque vous les enlevez.

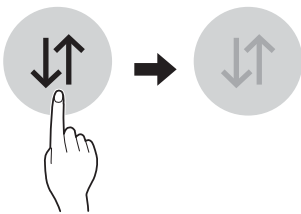
FONCTIONS INTELLIGENTES

Application SIGNATURE KITCHEN SUITE

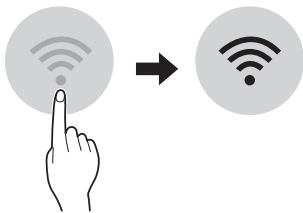
L'application SIGNATURE KITCHEN SUITE vous permet de communiquer avec l'appareil à l'aide d'un téléphone intelligent.

Avant d'utiliser l'application

- 1 Vérifiez la puissance du signal sans fil à proximité de l'appareil.
 - Si la distance entre l'appareil et le routeur sans fil est trop grande, l'intensité du signal s'affaiblit. Cela peut prendre plus de temps pour enregistrer l'appareil ou l'installation peut échouer.
- 2 Désactivez les **données mobiles** ou les **données cellulaires** sur votre téléphone intelligent.



- 3 Connectez votre téléphone intelligent au routeur sans fil.



REMARQUES

- Pour vérifier l'état de la connexion **Wi-Fi**, assurez-vous que l'icône Wi-Fi, qui se trouve sur le panneau de commande, est allumée.
- L'appareil prend seulement en charge les réseaux Wi-Fi de 2,4 GHz. Pour vérifier la fréquence de votre réseau, contactez votre fournisseur de services Internet ou référez-vous au manuel de votre routeur sans fil.
- L'application SIGNATURE KITCHEN SUITE n'est pas responsable des problèmes de connexion au réseau, ni des pannes, défaillances ou erreurs causées par la connexion au réseau.
- L'environnement sans fil environnant peut faire en sorte que le service de réseau sans fil fonctionne lentement.
- Si l'appareil ne parvient pas à se connecter au réseau Wi-Fi, c'est peut-être parce qu'il est trop éloigné du routeur. Achetez un répéteur Wi-Fi (amplificateur de fréquences) pour accroître la force du signal Wi-Fi.
- La connexion réseau peut ne pas fonctionner correctement selon le fournisseur de services Internet.
- La connexion Wi-Fi peut ne pas se faire ou être interrompue à cause de l'environnement du réseau domestique.
- Si l'appareil ne peut pas être enregistré en raison de problèmes avec la transmission du signal sans fil, débranchez le routeur et attendez environ une minute avant de le remettre en marche et de réessayer.
- Si le pare-feu de votre routeur sans fil est activé, désactivez-le ou ajoutez-y une exception.
- Le nom du réseau sans fil (SSID) doit être une combinaison de lettres et de chiffres anglais. (N'utilisez pas de caractères spéciaux.)
- L'interface utilisateur (IU) du téléphone intelligent peut varier en fonction du système d'exploitation (SE) mobile et du fabricant.
- Si le protocole de sécurité du routeur est configuré pour le WEP, vous pourriez avoir à le changer pour le WPA2 afin de réussir à enregistrer le produit.

Installation de l'application SIGNATURE KITCHEN SUITE

À partir d'un téléphone intelligent, cherchez l'application SIGNATURE KITCHEN SUITE dans la boutique Google Play ou l'App Store d'Apple. Suivez les directives pour télécharger et installer l'application.

Caractéristiques de l'application SIGNATURE KITCHEN SUITE

Surveillance de la consommation d'énergie

Cette fonction permet de suivre la consommation énergétique du congélateur ainsi que le nombre de fois où la porte est ouverte.

Messages automatiques

Si la porte reste ouverte pendant plus de dix minutes, vous recevrez un message automatisé. Lorsque la fonction Ice Plus (glace plus) est terminée, vous recevrez aussi un message automatisé.

Smart Diagnosis^{MC}

Cette fonction fournit des renseignements utiles pour diagnostiquer et résoudre les problèmes avec l'appareil en se basant sur le profil d'utilisation.

Paramètres

Vous permet de régler diverses options du congélateur et de l'application.

REMARQUES

- Si vous changez le routeur sans fil, le fournisseur de services Internet ou le mot de passe, supprimer l'appareil enregistré de l'application SIGNATURE KITCHEN SUITE et l'enregistrer à nouveau.
- Ces renseignements étaient à jour au moment de la publication du présent manuel. L'application est sujette à des modifications à des fins d'amélioration du produit, et ce, sans que l'utilisateur en soit préalablement avisé.

Fonction Réseau intelligent

Lorsque le congélateur est en mode Réseau intelligent, la fonction Congélateur intelligent peut contrôler l'utilisation de l'énergie ou retarder la mise en marche de certaines fonctions afin d'économiser l'énergie durant les périodes de pointe.

- Vous pouvez annuler la fonction Réseau intelligent en tout temps (au moyen de la touche ou de l'application Smart Grid (réseau intelligent)).
- Pour utiliser la fonction Réseau intelligent, vous devez enregistrer votre appareil auprès de votre fournisseur d'électricité.

Fonctionnalités de l'application Réseau intelligent

Économie intelligente_Gestion de la demande

Vous pouvez réduire l'utilisation énergétique en fonction des signaux de gestion de la demande (GD) provenant de la société de services publics. Si le congélateur est en mode d'économie intelligente selon les signaux de gestion de la demande, vous verrez apparaître une fenêtre.

Économie d'énergie en saison

Réduisez la consommation selon la période de l'année.

Utilisation de la fonction Réseau intelligent

Cette fonctionnalité répond aux notifications envoyées par votre fournisseur d'électricité pour exécuter les tâches consommant beaucoup d'électricité pendant les heures creuses, lorsque la demande est moins élevée. Ces notifications sont appelées « signaux de gestion de la demande ».

Si le congélateur reçoit un signal de gestion de la demande de la part du fournisseur d'électricité, il allume le voyant Grid (réseau) sur l'écran et contrôle sa consommation d'énergie en fonction du signal.

Le congélateur répondra aux signaux reçus aussi longtemps qu'il pourra maintenir son efficacité.

Si le congélateur reçoit un signal de gestion de la demande, il fonctionnera en mode DAL (charge différée) ou TALR (réduction temporaire de la charge).

Charge différée (DAL)

Le congélateur répondra à un signal DAL en réduisant de façon modérée la charge pour la durée de la période indiquée.

Ce mode contrôle les fonctions énergivores telles que l'ajustement du système de refroidissement, le dégivrage et la fabrication de la glace.

- Lorsque le congélateur est en mode DAL, le voyant Grid (réseau) est allumé sur l'écran du congélateur.
- Le mode DAL est automatiquement désactivé à la fin de la période indiquée par le signal DAL (max. de 4 heures) ou lorsque vous annulez la fonction Réseau intelligent.

Réduction temporaire de la charge de l'appareil (TALR)

Le congélateur réagit à un signal TALR en diminuant fortement la charge pendant une courte période, soit généralement 10 minutes. Ce mode permet de réduire la consommation d'énergie en arrêtant le compresseur et en contrôlant les fonctionnalités qui consomment beaucoup d'énergie, telles que le cycle de décongélation et le ventilateur.

- Lorsque le congélateur est en mode DAL, le voyant Grid (réseau) est allumé sur l'écran du congélateur.
- Le mode TALR est automatiquement désactivé après l'écoulement de la durée établie (10 minutes max) ou lorsque vous ignorez la fonction Réseau intelligent. Ce mode est automatiquement désactivé et le congélateur est ramené à son état normal si vous ouvrez ou fermez une porte ou si le distributeur est utilisé.

Annulation du mode Réseau intelligent

Si vous voulez que le congélateur ignore le signal de gestion de la demande de votre fournisseur d'électricité, vous pouvez annuler la fonction Réseau intelligent en appuyant sur la touche Smart Grid (réseau intelligent) pendant que le congélateur fonctionne en mode Réseau intelligent.

Lorsque vous ignorez la fonction Réseau intelligent, le congélateur ne tient pas compte du signal de gestion de la demande et il n'est alors plus contrôlé par votre fournisseur d'électricité, et ce, jusqu'à l'envoi du prochain signal de gestion de la demande. Vous pouvez également ignorer la fonction Réseau intelligent à l'aide de l'application du téléphone intelligent.

API ouverte de SIGNATURE KITCHEN SUITE

Vous pouvez gérer les fonctions Réseau intelligent du congélateur SIGNATURE KITCHEN SUITE.

Veillez consulter la page de notification à l'adresse www.signaturekitchensuite.com pour plus de détails.

Liste des API

Réponse à la demande

- Envoyer un signal de réponse à la demande

Mode écoénergétique

- Régler le mode écoénergétique
- Obtenir l'horaire (programme) du DR/report de dégivrage

Surveillance de la consommation d'énergie

- Obtenir l'événement d'ouverture de porte
- Obtenir la consommation d'énergie

Reporter la fonction de dégivrage

- Insérer un événement programmé de report du dégivrage
- Mettre à jour un événement programmé de report du dégivrage
- Annuler un événement programmé de report du dégivrage
- Obtenir le programme du report de dégivrage

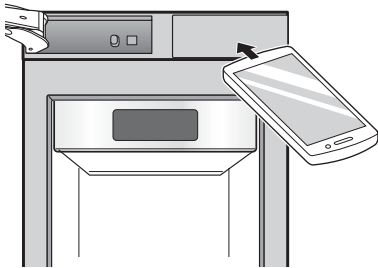
Fonction Smart Diagnosis^{MC}

Sachez que si vous éprouvez des problèmes avec votre électroménager, celui-ci a la capacité de transmettre des données au centre d'information SIGNATURE KITCHEN SUITE par l'intermédiaire de votre téléphone. Les modèles équipés de la technologie NFC ou du Wi-Fi peuvent également transmettre des données à un téléphone intelligent à l'aide de l'application SIGNATURE KITCHEN SUITE.

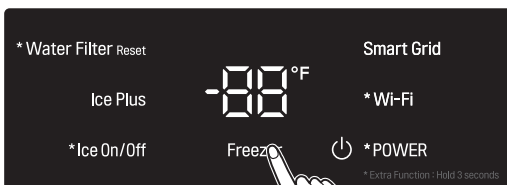
Smart Diagnosis^{MC} – diagnostic par le Centre d'information à la clientèle

Cette méthode vous permet de parler directement à l'un de nos spécialistes formés. Le spécialiste enregistre les données transmises par l'appareil et les utilise pour analyser le problème, fournissant ainsi un diagnostic rapide et efficace.

- 1 Appelez le Centre d'information à la clientèle de SIGNATURE KITCHEN SUITE au :
(É.-U.) 1 855 790-6655
- 2 Ouvrez la porte du congélateur.
- 3 Approchez le microphone de votre téléphone devant le haut-parleur situé sur le couvercle du filtre du congélateur lorsque le spécialiste du centre d'information à la clientèle vous le demandera.



- 4 Maintenez enfoncée la touche Freezer (congélateur) pendant trois secondes tout en tenant votre téléphone devant le haut-parleur.



- 5 Après avoir entendu trois signaux sonores, relâchez la touche Freezer (congélateur).
- 6 Gardez le téléphone en place jusqu'à la fin de la transmission sonore. Un compte à rebours s'affichera à l'écran. Lorsque le décompte est terminé et que vous n'entendez plus les tonalités, reprenez votre conversation avec le spécialiste, qui sera alors en mesure de vous aider grâce à l'information transmise aux fins d'analyse.

REMARQUES

- Pour obtenir les meilleurs résultats, évitez de bouger le téléphone pendant la transmission sonore.
- Si l'agent du centre de service n'a pas pu obtenir un enregistrement exact des données, il se peut qu'il vous demande d'essayer de nouveau.
- La fonction Smart Diagnosis^{MC} dépend de la qualité de l'appel local.
- Une mauvaise télécommunication peut entraîner une piètre transmission de données entre votre téléphone et le centre d'appels, de sorte que le Smart Diagnosis^{MC} risque de ne pas fonctionner correctement.

Smart Diagnosis^{MC}

Utilisez la fonction Smart Diagnosis de l'application SIGNATURE KITCHEN SUITE pour vous aider à diagnostiquer les problèmes avec l'appareil sans l'assistance du centre d'information à la clientèle SIGNATURE KITCHEN SUITE.

Suivez les instructions de l'application SIGNATURE KITCHEN SUITE pour effectuer un diagnostic intelligent à l'aide de votre téléphone intelligent.

REMARQUE

- La fonction SmartDiagnosis^{MC} ne peut être activée que si l'appareil peut être mis sous tension à l'aide de la touche **Power** (alimentation). Si l'appareil ne peut pas être mis sous tension, le dépannage doit être effectué sans utiliser la fonction Smart Diagnosis^{MC}.

Renseignements relatifs à la réglementation FCC

- L'avis suivant couvre le module de transmetteur se trouvant dans le produit.

Cet appareil a été testé et jugé conforme aux limites imposées aux sections 15 et 18 de la réglementation de la FCC concernant un appareil numérique de classe B. Ces limites visent à fournir une protection raisonnable contre les interférences nuisibles dans un environnement résidentiel. Cet appareil génère, utilise et peut irradier de l'énergie de radiofréquences; s'il n'est pas installé et utilisé conformément aux instructions, il peut produire des interférences nuisibles aux radiocommunications. Toutefois, rien ne garantit que des interférences ne seront pas produites dans un environnement donné. Si cet appareil génère des interférences nuisibles pour la réception de la radio ou de la télévision, ce qui peut être vérifié en éteignant puis en rallumant l'appareil, l'utilisateur est invité à essayer de corriger ces interférences à l'aide de l'une des mesures suivantes :

- Réorienter ou déplacer l'antenne de réception.
- Augmenter la distance entre l'appareil et le récepteur.
- Brancher l'appareil sur une prise électrique d'un circuit différent de celui sur lequel le récepteur est branché.
- Contacter le détaillant ou un technicien qualifié en entretien et en réparation de matériel audio-vidéo.

Cet appareil est conforme aux limites imposées aux sections 15 et 18 de la réglementation de la FCC. L'exploitation est soumise aux deux conditions suivantes :

- 1) cet appareil ne doit pas provoquer d'interférences nuisibles;
- 2) cet appareil doit accepter toutes les interférences, y compris celles pouvant entraîner son dysfonctionnement.

Les modifications dans la conception de cet appareil qui ne sont pas expressément approuvées par l'autorité responsable de la conformité pourraient annuler l'autorisation accordée à l'utilisateur de faire fonctionner l'équipement.

Énoncé de la FCC sur l'exposition aux rayonnements RF

Cet appareil est conforme aux limites de la FCC en ce qui concerne l'exposition aux rayonnements établies pour un environnement non contrôlé. Cet émetteur ne doit pas être colocalisé ni utilisé conjointement avec tout autre émetteur ou antenne.

Cet appareil doit être installé et utilisé de façon à maintenir une distance minimale de 20 cm (7,8 po) entre l'antenne et les utilisateurs. Les utilisateurs doivent respecter les directives d'utilisation afin de satisfaire aux critères en matière d'exposition aux rayonnements RF.

Énoncé d'Industrie Canada (pour le module de transmetteur qui se trouve dans le produit)

Cet appareil est conforme aux CNR d'Industrie Canada applicables aux appareils radio exempts de licence. L'exploitation est soumise aux deux conditions suivantes :

- 1) cet appareil ne doit pas produire d'interférences;
- 2) cet appareil doit accepter toutes les interférences, y compris celles pouvant entraîner son dysfonctionnement.

Étiquette de conformité ICES-001 d'Industrie Canada : CAN ICES-1/NMB-1

Énoncé d'IC sur l'exposition aux rayonnements

Cet appareil est conforme aux limites d'Industrie Canada en ce qui concerne l'exposition aux rayonnements établies pour un environnement non contrôlé.

Cet appareil doit être installé et utilisé de façon à maintenir une distance minimale de 20 cm (7,8 po) entre l'antenne et les utilisateurs.

REMARQUE

- Le fabricant n'est pas responsable des interférences radio ou télévisées générées par une modification non approuvée apportée à cet équipement. De telles modifications pourraient annuler l'autorisation accordée à l'utilisateur de faire fonctionner l'équipement.

Caractéristiques du module LAN sans fil	
Modèle	LCW-003
Gamme de fréquences	2 412 MHz - 2 462 MHz
Puissance de sortie (max.)	IEEE 802.11B : 17,56 dBm IEEE 802.11g : 25,53 dBm IEEE 802.11n : 25,29 dBm

Informations sur les logiciels libres

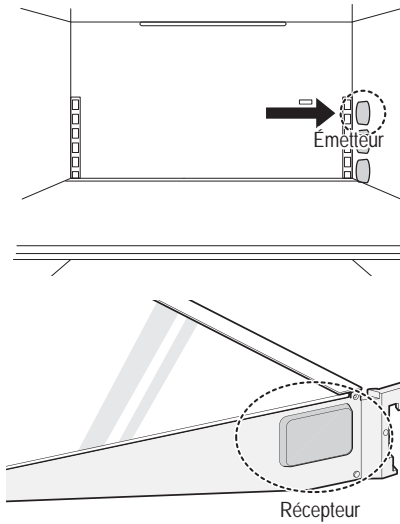
Pour obtenir le code source conformément aux dispositions de la licence publique générale, de la licence publique générale limitée, de la licence publique Mozilla et de toute autre licence régissant les logiciels à code source libre contenus dans cet appareil, visitez le site <http://opensource.signaturekitchensuite.com>.

En plus du code source, toutes les dispositions de licence, les exonérations de garantie et les avis de droits d'auteurs peuvent être téléchargés.

Signature Kitchen Suite mettra également à votre disposition le code source libre sur CD-ROM pour un prix couvrant le coût de la distribution (coût du support, de l'expédition et de la manutention) sur simple demande par courriel à l'adresse opensource@signaturekitchensuite.com.

Cette offre est valable pour une période de trois ans après la dernière commande de ce produit. Cette offre est valable pour toute personne recevant cette information.

Données techniques de transfert de puissance sans fil	
Fréquence	330 kHz ~ 370 kHz
Tension nominale	12 V c.c.
Puissance délivrée	Inférieure et égale à 3 W par tablette
Mode de transmission	Induction électromagnétique



REMARQUES

- Des corps étrangers et de la saleté se trouvant entre le côté droit de la tablette et la paroi du cadre intérieur pourraient empêcher l'éclairage de la tablette de s'allumer.
- L'éclairage de la tablette s'allume lorsque la porte est ouverte.
- L'éclairage de la tablette s'éteint après sept minutes ou lorsque la porte est fermée.

ENTRETIEN

Nettoyage

AVERTISSEMENT

- Utilisez un produit de nettoyage ininflammable. Ne pas le faire pourrait entraîner un incendie, une explosion ou des blessures mortelles.

MISES EN GARDE

- N'utilisez pas de chiffons ou d'éponges rugueuses pour nettoyer l'intérieur et l'extérieur du congélateur.
- Ne placez pas votre main sur la surface inférieure du congélateur quand vous ouvrez ou fermez les portes.

Conseils généraux de nettoyage

- Le congélateur se dégivre automatiquement. Toutefois, nettoyez-le une fois par mois pour éviter les odeurs.
- Essuyez immédiatement les aliments renversés.
- Débranchez toujours le congélateur ou coupez le courant avant de le nettoyer.
- Enlevez toutes les pièces amovibles, telles que les tablettes, les bacs à légumes et fruits, etc.
- Utilisez une éponge propre ou un chiffon et un détergent doux avec de l'eau chaude. N'utilisez pas de produits de nettoyage abrasifs ou forts.
- Lavez à la main, rincez et séchez soigneusement toutes les surfaces.
- Lors du nettoyage de l'intérieur ou de l'extérieur de l'appareil, ne le nettoyez pas avec une brosse rugueuse, du dentifrice ou des matériaux inflammables. N'utilisez pas de produits de nettoyage contenant des substances inflammables.
 - Cela peut causer une décoloration de l'appareil ou entraîner des dommages.
 - Liste des substances inflammables : alcool (éthanol, méthanol, alcool isopropylique, alcool isobutylique, etc.), diluant, eau de javel, benzène, liquide inflammable, abrasif, etc.

Parois intérieures

- Laissez le congélateur se réchauffer pour éviter que le chiffon colle.

Pour éliminer les odeurs, vous pouvez laver l'intérieur du congélateur avec un mélange de bicarbonate de soude et d'eau chaude. Mélangez deux cuillères à soupe de bicarbonate de soude à un litre d'eau (26 g de bicarbonate de soude pour un litre d'eau). Assurez-vous que le bicarbonate de soude est complètement dissous afin de ne pas rayer les surfaces du congélateur.

Revêtements et joints de porte

Utilisez une éponge propre ou un chiffon et un détergent doux avec de l'eau chaude. N'utilisez pas de cire, de détergents concentrés, d'agents de blanchiment ou de produits nettoyants contenant des hydrocarbures sur les pièces en plastique du congélateur.

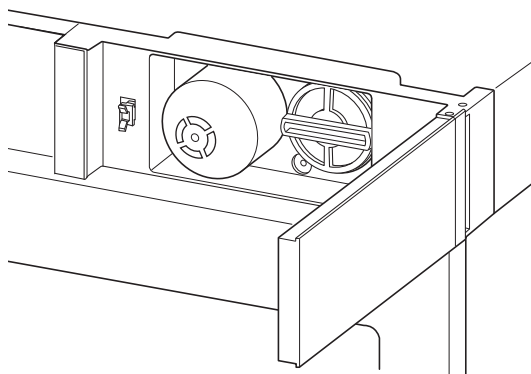
Pièces en plastique (couvercles et panneaux)

Utilisez une éponge propre ou un chiffon et un détergent doux avec de l'eau chaude. N'utilisez pas de produits nettoyants pour vitres, de nettoyants abrasifs ou de liquides inflammables. Ces produits peuvent rayer ou endommager la surface.

Remplacement du filtre à eau

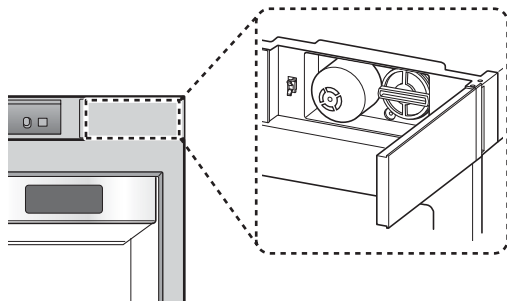
Remplacer le filtre à eau

- Environ tous les six mois.
- Lorsque l'icône Replace Filter (changer le filtre) s'allume.
- Lorsque la production de la machine à glaçons diminue.

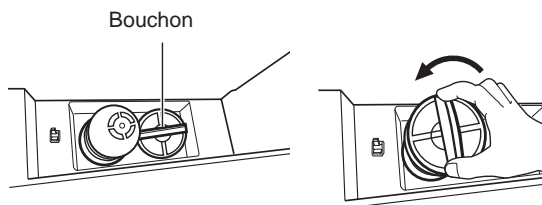


1 Retirez l'ancien filtre à eau.

Appuyez en haut à droite du congélateur sur le panneau du filtre à eau pour l'ouvrir.



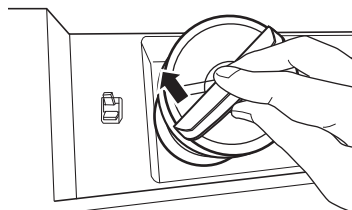
- 2 Placez le bouchon sur le filtre à eau, puis tenez-le et tournez-le vers la gauche pour retirer le filtre à eau de la tête du filtre.



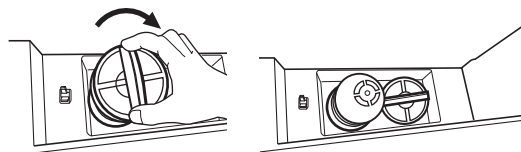
3 Remplacez avec un nouveau filtre à eau

Retirez le nouveau filtre à eau de son emballage et retirez le couvercle de protection des joints toriques.

Placez le bouchon sur le nouveau filtre à eau, puis poussez-le dans l'orifice du collecteur jusqu'à ce qu'il soit en place.



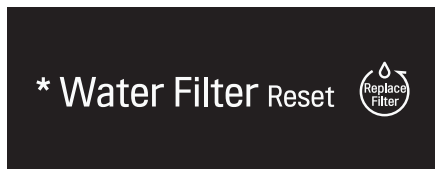
- 4 Prenez le bouchon et faites-le tourner vers la droite jusqu'à ce qu'il s'arrête. Remplacez le bouchon sur le côté du filtre à eau.



REMARQUES

- Le remplacement du filtre à eau provoque le drainage d'une petite quantité d'eau (environ 25 ml ou 1 oz).
- Enveloppez l'extrémité avant du couvercle du filtre à eau avec un linge pour recueillir l'eau qui s'écoulera. Maintenez le filtre à eau à la verticale une fois qu'il est enlevé pour éviter que de l'eau s'en échappe.

- 5** Une fois le filtre remplacé, maintenez la touche **Water Filter Reset** (réinitialisation du filtre à eau) enfoncée pendant trois secondes pour réinitialiser le témoin lumineux.



REMARQUES

Pour acheter un filtre à eau de rechange :

- Rendez-vous chez un détaillant ou un distributeur
- Web : Trouvez des pièces et des accessoires sur la page de soutien du site signaturekitchensuite.com.
- Téléphone : 1 855 790-6655 (États-Unis)

Pour plus de renseignements, appelez au 1 855 790-6655 (É.-U.)

- Cartouche de remplacement à utiliser : **LT1000P-S (ADQ74793506)**

Fiche technique des performances

Modèle : LT1000P-S

Code de dénomination commerciale du système NSF : MDJ64844601

La concentration des substances indiquées présentes dans l'eau entrant dans le circuit a été réduite à une concentration inférieure ou égale à la limite autorisée pour l'eau quittant le circuit, selon les spécifications NSF/ANSI des normes 42, 53 et 401.



Circuit testé et certifié par NSF International au regard des spécifications NSF/ANSI des normes 42, 53 et 401 pour la diminution des substances répertoriées ci-dessous.

Réduction des substances	Affluent moyen dans l'eau à traiter	Concentration visée par NSF	% de la diminution moyenne	Concentration de l'affluent moyen dans l'eau à traiter	Concentration d'eau maximale permise dans le produit	Exigences NSF de diminution
Goût et odeur de chlore	2,0 µg/l	2,0 µg/l ± 10 %	> 97,5 %	0,050 µg/l	s. o.	≥ 50,00 %
Particules nominales de classe I, ≥ 0,5 à < 1,0 µm	12 000 000 pts/ml	Au moins 10 000 particules/ml	99,80 %	24 000 pts/ml	s. o.	≥ 85,00 %
Amiante	180 MFL	10 ⁷ à 10 ⁸ MFL; longueur des fibres supérieures à 10 µg/Lin	> 99,00 %	< 1 MFL	s. o.	≥ 99,00 %
Atrazine	8,5 µg/l	9,0 µg/l ± 10 %	> 94,10 %	0,500 µg/l	3,0 µg/l	s. o.
Benzène	15,0 µg/l	15,0 µg/l ± 10 %	> 96,60 %	0,510 µg/l	5,0 µg/l	s. o.
Carbofuran	74,0 µg/l	80,0 µg/l ± 10 %	98,30 %	1,258 µg/l	40 µg/l	s. o.
Lindane	1,9 µg/l	2,0 µg/l ± 10 %	> 99,00 %	0,019 µg/l	0,2 µg/l	s. o.
P-Dichlorobenzène	230,0 µg/l	225,0 µg/l ± 10 %	> 99,80 %	0,460 µg/l	75,0 µg/l	s. o.
2,4-D	210,0 µg/l	210,0 µg/l ± 10 %	> 99,90 %	0,210 µg/l	70,0 µg/l	s. o.
Plomb pH @ 6,5	140,0 µg/l	150,0 µg/l ± 10 %	99,60 %	0,560 µg/l	10,0 µg/l	s. o.
Plomb pH @ 8,5	150,0 µg/l	150,0 µg/l ± 10 %	> 99,70 %	< 0,500 µg/l	10,0 µg/l	s. o.
Mercure à pH 6,5	5,9 µg/l	6,0 µg/l ± 10 %	91,00 %	0,531 µg/l	2,0 µg/l	s. o.

(Page suivante)

Réduction des substances	Affluent moyen dans l'eau à traiter	Concentration visée par NSF	% de la diminution moyenne	Concentration de l'affluent moyen dans l'eau à traiter	Concentration d'eau maximale permise dans le produit	Exigences NSF de diminution
Mercure à pH 8,5	5,6 µg/l	6,0 µg/l ± 10 %	92,50 %	0,420 µg/l	2,0 µg/l	s. o.
Sporocyste*	100 000 sporocystes/l	Au minimum 50 000 sporocystes/l	> 99,99 %	10 sporocystes/l	s. o.	≥ 99,95 %
Aténolol	240 ng/l	200 ± 40 % ng/l	> 95,50 %	10,80 ng/l	30 ng/l	s. o.
Carbamazépine	1 600 ng/l	1 400 ± 40 % ng/l	98,40 %	25,60 ng/l	200 ng/l	s. o.
DEET	1 600 ng/l	1 400 ± 40 % ng/l	97,10 %	46,40 ng/l	200 ng/l	s. o.
Triméthoprim	170 ng/l	140 ± 40 % ng/l	> 96,80 %	5,44 ng/l	20 ng/l	s. o.
Linuron	160 ng/l	140 ± 40 % ng/l	> 96,60 %	5,44 ng/l	20 ng/l	s. o.
Phénytoïne	200 ng/l	200 ± 40 % ng/l	> 94,80 %	10,40 ng/l	30 ng/l	s. o.
Ibuprofène	400 ng/l	400 ± 40 % ng/l	> 94,50 %	22,00 ng/l	60 ng/l	s. o.
Naproxène	140 ng/l	140 ± 40 % ng/l	> 96,10 %	5,46 ng/l	20 ng/l	s. o.
Estrone	120 ng/l	140 ± 40 % ng/l	> 96,10 %	4,68 ng/l	20 ng/l	s. o.
Bisphénol A	2 000 ng/l	2 000 ± 40 % ng/l	> 98,90 %	22,00 ng/l	300 ng/l	s. o.
Nonylphénol	1 600 ng/l	1 400 ± 40 % ng/l	> 97,10 %	46,40 ng/l	200 ng/l	s. o.

• Basé sur l'utilisation des ocystes *Cryptosporidium parvum*.

Directives d'utilisation et spécifications de l'alimentation en eau	
Débit d'utilisation	1,89 l/min (0,5 gal/min)
Alimentation en eau	Réseau municipal ou puits privé - Eau potable
Pression de l'eau	De 20 à 120 psi (de 138 à 827 kPa)
Température de l'eau	De 0,6 °C à 37,8 °C (de 33 °F à 100 °F)
Capacité	757 litres (200 gallons)

Il est essentiel de suivre les recommandations du fabricant relatives à l'installation, à l'entretien et au remplacement du filtre afin que l'appareil fonctionne conformément aux performances annoncées.

REMARQUE

- Les tests ont été effectués en laboratoire et le rendement peut varier en situation d'utilisation réelle.

Cartouche de remplacement : **LT1000P-S**

Pour obtenir de l'information sur les filtres à eau de rechange, rendez-vous chez un détaillant ou un distributeur ou recherchez les mots « filtre à eau » sur le site signaturekitchensuite.com.

Pour plus de renseignements, le centre d'information à la clientèle SIGNATURE KITCHEN SUITE est ouvert en tout temps.

É.-U. : 1 855 790-6655

NSF est une marque de commerce de la NSF.

AVERTISSEMENTS

- Branchez à une source d'eau potable seulement.

AVERTISSEMENTS

Afin de réduire les risques d'étouffement :

- N'autorisez pas les enfants de moins de 3 ans à avoir accès aux petites pièces pendant l'installation de ce produit.

Afin de réduire le risque associé à l'ingestion de produits contaminants :

- N'utilisez pas d'eau insalubre ou de qualité inconnue sans désinfection adéquate en amont ou en aval du système. Les systèmes certifiés pour la réduction du nombre de sporocystes peuvent être utilisés avec de l'eau désinfectée pouvant contenir des sporocystes filtrables. Établissement de l'EPA n° 070595-MEX-001

MISES EN GARDE

Afin de réduire le risque associé à des dommages matériels causés par une fuite d'eau :

- Lisez et suivez les instructions d'utilisation avant l'installation et l'utilisation de ce système.
- L'installation et l'utilisation DOIVENT être conformes à l'ensemble des codes de plomberie régionaux et locaux en vigueur.
- N'installez pas le produit si la pression d'eau dépasse 120 psi (827 kPa). Si la pression d'eau dépasse 80 psi, vous devez installer une valve de limitation de pression. Faites appel à un plombier si vous ne savez pas comment vérifier la pression d'eau.
- N'installez pas ce produit dans des conditions propices aux coups de bélier. S'il est possible que des coups de bélier se produisent, vous devez absolument installer un dispositif antibélier. Contactez un plombier si vous ne savez pas comment effectuer cette vérification.
- La température maximale de l'eau pour le bon fonctionnement de ce système de filtre est de 100 °F (37,8 °C).
- Protégez le filtre du gel. Vidangez le filtre lorsque la température descend sous 4,4 °C (40 °F).
- La cartouche du filtre jetable DOIT être remplacée tous les six mois, selon la capacité évaluée, ou plus tôt si le débit ralentit de façon manifeste.
- Protégez le dispositif contre le gel, retirez la cartouche filtrante lorsque les températures risquent de descendre au-dessous de 0 °C.
- N'installez pas ces systèmes dans des régions où les températures ambiantes peuvent dépasser 43,3 °C (110 °F).
- Si un dispositif de prévention du refoulement est installé sur le système, un dispositif permettant de contrôler la pression résultant de la dilatation thermique doit être installé.
- Vérifiez que tous les tuyaux et les raccords sont serrés et ne présentent aucune trace de fuite.

DÉPANNAGE

Foire aux questions

Q: Quelles sont les températures optimales pour mon congélateur?

R: Le réglage par défaut du congélateur est de 0 °F (-18 °C). Ajustez ces réglages au besoin pour conserver les aliments à la température désirée. La crème glacée doit être ferme et les glaçons ne doivent pas fondre dans le congélateur. Pour passer des degrés Fahrenheit aux degrés Celsius sur l'écran, appuyez d'abord sur le bouton Freezer (congélateur) pour activer l'écran, puis appuyez sur les boutons Freezer (congélateur) et Smart Grid (réseau intelligent) et maintenez-les enfoncés jusqu'à ce que vous entendiez un bip et que les réglages changent à l'écran.

Q: Comment puis-je régler la température du congélateur?

R: Appuyez sur le bouton Freezer (congélateur) de manière répétée sur le panneau de commande jusqu'à ce que la température désirée s'affiche. Les chiffres s'afficheront en ordre décroissant et recommenceront leur cycle si vous maintenez la touche enfoncée.

Q: Quel est ce bourdonnement que le congélateur émet de temps à autre?

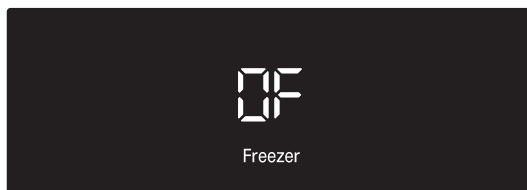
R: Ce son peut être émis si le congélateur n'est pas alimenté en eau alors que la machine à glaçons est allumée. Si vous n'avez pas de source d'eau reliée au congélateur, vous devriez désactiver la machine à glaçons sur le panneau de commande.

Q: Pourquoi le plateau de la machine à glaçons semble-t-il croche?

R: Il s'agit d'un état normal du cycle de la machine à glaçons. Le plateau de la machine à glaçons peut sembler à niveau ou légèrement incliné. Le changement de position aide au processus de congélation.

Q: Mon congélateur est sous tension et les commandes fonctionnent, mais il ne refroidit pas et l'afficheur indique « OF » (voir ci-dessous). Quel est le problème?

R: Le congélateur est en mode Présentation. Ce mode désactive le refroidissement dans le but d'économiser l'énergie lorsque l'appareil est présenté en magasin. Pour rétablir le fonctionnement normal, appuyez d'abord sur le bouton Freezer (congélateur) pour activer l'écran, puis appuyez sur les boutons Freezer (congélateur) et Water Filter Reset (remplacement du filtre à eau) et maintenez-les enfoncés jusqu'à ce que vous entendiez un bip et que le réglage de la température s'affiche à l'écran. Utilisez la même procédure pour rétablir le mode Présentation du congélateur, si vous le souhaitez.



Avant d'appeler le réparateur

Consultez cette section du manuel avant de demander un service d'entretien; ce faisant, vous économiserez temps et argent.

Refroidissement

Problème	Cause possible	Solutions
Les compartiments du réfrigérateur et du congélateur ne refroidissent pas.	La commande est réglée sur OFF (arrêt) (sur certains modèles).	Réglez la commande sur ON (marche). Veuillez consulter la section Panneau de commande pour un bon ajustement des températures.
	L'appareil est réglé au mode Présentation.	Le mode Présentation permet un fonctionnement normal de l'éclairage et de l'affichage du panneau de commande, mais désactive le refroidissement pour économiser l'énergie durant l'exposition en magasin. Voir la section FAQ de ce manuel pour des instructions sur la façon de désactiver le mode Présentation.
	L'appareil est dans un cycle de dégivrage.	Durant le cycle de dégivrage, la température de chaque compartiment peut augmenter légèrement. Attendez 30 minutes, puis vérifiez que la température est revenue à la normale une fois le cycle de dégivrage terminé.
	L'appareil vient d'être installé.	Chaque compartiment peut mettre jusqu'à 24 h pour atteindre la température visée.
	L'appareil a récemment été déplacé.	Si l'appareil a été entreposé ou couché pendant une longue période, celui-ci doit être placé à la verticale pendant 24 h avant d'être mis sous tension.
Le système de refroidissement est trop puissant.	L'appareil remplace un ancien modèle.	Les électroménagers modernes nécessitent un temps de fonctionnement plus long, mais consomment moins d'énergie grâce à une technologie plus efficace.
	L'appareil vient d'être branché ou remis sous tension.	L'appareil peut mettre jusqu'à 24 h pour refroidir complètement.
	La porte a souvent été ouverte, ou beaucoup d'aliments ou des aliments chauds y ont été placés.	L'ajout d'aliments et l'ouverture de la porte réchauffent le congélateur, ce qui nécessite que le compresseur fonctionne plus longtemps pour refroidir le congélateur. Afin de conserver l'énergie, essayez de prendre tout ce dont vous avez besoin immédiatement, gardez vos aliments bien organisés de sorte qu'il est facile de les trouver, et fermez la porte dès que vous avez pris les aliments dont vous aviez besoin. (Consultez la section Guide de conservation des aliments.)
	Les portes ne sont pas complètement fermées.	Fermez les portes avec fermeté. Si elles ne se ferment pas complètement, consultez la section « Les portes ne se ferment pas complètement ou s'ouvrent toutes seules ».
	Le congélateur est installé dans un endroit chaud.	Le compresseur fonctionne plus longtemps lorsqu'il fait chaud. À la température ambiante normale (21 °C ou 70 °F), attendez-vous à ce que votre compresseur fonctionne environ 40 % à 80 % du temps. Dans des conditions plus chaudes, il faut s'attendre à ce qu'il fonctionne encore plus souvent. Le congélateur ne doit pas être mis en fonction lorsque la température ambiante est supérieure à 43 °C (110 °F).

Refroidissement

Problème	Cause possible	Solutions
Accumulation d'humidité à l'intérieur.	Les portes sont souvent ouvertes ou restent ouvertes longtemps.	Lorsque les portes sont souvent ouvertes ou restent ouvertes longtemps, de l'air chaud et humide entre à l'intérieur du compartiment. La température et le niveau d'humidité augmentent ainsi à l'intérieur du compartiment. Pour diminuer cet effet, réduisez la fréquence et la durée d'ouverture des portes.
	Les portes ne sont pas fermées correctement.	Si elles ne se ferment pas complètement, consultez la section Les portes ne se ferment pas complètement ou s'ouvrent toutes seules dans la partie Pièces et caractéristiques de la section Dépannage.
	Conditions ambiantes humides.	Des conditions ambiantes humides font entrer plus d'humidité dans les compartiments lorsque les portes sont ouvertes, ce qui génère de la condensation ou du givre. Maintenir un niveau d'humidité raisonnable dans la maison aidera à contrôler la quantité d'humidité qui peut entrer dans les compartiments.
	Cycle de dégivrage récemment effectué.	Pendant le cycle de dégivrage, la température de chaque compartiment peut augmenter légèrement et de la condensation peut se former sur la paroi arrière. Une fois le cycle de dégivrage terminé, attendez 30 minutes et vérifiez que la température a bien été rétablie.
	Les aliments ne sont pas emballés correctement.	Les aliments qui sont rangés à découvert ou sans emballage et les contenants humides peuvent entraîner une accumulation d'humidité dans chaque compartiment. Essuyez tous les contenants et rangez les aliments dans des emballages scellés pour éviter la condensation et le givre.
Le congélateur est trop chaud.	Le congélateur vient d'être installé.	Chaque compartiment peut mettre jusqu'à 24 h pour atteindre la température visée.
	Les événements d'aération sont obstrués.	Repérez les événements d'aération à l'aide de votre main pour détecter l'air et déplacez tous les articles qui obstruent les événements et limitent la circulation de l'air. Réorganisez les aliments pour permettre à l'air de circuler dans tout le compartiment.

Refroidissement/Glace et eau

Problème	Cause possible	Solutions
Le congélateur est trop chaud.	Les portes sont souvent ouvertes ou restent ouvertes longtemps.	Lorsque les portes sont souvent ouvertes ou restent ouvertes longtemps, de l'air chaud et humide entre à l'intérieur du compartiment. La température et le niveau d'humidité augmentent ainsi à l'intérieur du compartiment. Pour diminuer cet effet, réduisez la fréquence et la durée d'ouverture des portes.
	Le congélateur est installé dans un endroit chaud.	Le congélateur ne doit pas être mis en fonction lorsque la température ambiante est supérieure à 43 °C.
	Beaucoup d'aliments ou des aliments chauds ont été placés dans le compartiment.	L'ajout d'aliments augmente la température du compartiment, ce qui entraîne le déclenchement du système de refroidissement. Pour limiter cet effet, laissez refroidir les aliments chauds à température ambiante avant de les placer dans le congélateur.
	Les portes ne sont pas correctement fermées.	Si elles ne se ferment pas complètement, consultez la section Les portes ne se ferment pas complètement ou s'ouvrent toutes seules dans la partie Pièces et caractéristiques de la section Dépannage.
	La température n'est pas réglée correctement.	Si la température est trop élevée, ajustez les réglages une position à la fois et attendez que la température se stabilise.
	Le cycle de dégivrage vient de se terminer.	Pendant le cycle de dégivrage, la température du compartiment peut augmenter légèrement et de la condensation peut se former sur la paroi arrière. Une fois le cycle de dégivrage terminé, attendez 30 minutes et vérifiez que la température a bien été rétablie.
Le congélateur est trop froid.	La température n'est pas réglée correctement.	Si la température est trop basse, ajustez les réglages une position à la fois et attendez que la température se stabilise. Consultez le Panneau de commande pour plus de renseignements à ce sujet.
Du givre ou des cristaux de glace se forment sur les aliments surgelés (à l'intérieur de l'emballage hermétique).	La condensation issue d'aliments à haute teneur en eau a gelé à l'intérieur de l'emballage.	Ce phénomène est normal pour des aliments à haute teneur en eau.
	Les aliments ont été laissés dans le congélateur pendant une longue période.	Ne stockez pas des aliments à haute teneur en eau dans le congélateur pendant une longue période.
Du givre ou des cristaux de glace se forment sur les aliments congelés (à l'extérieur de l'emballage).	La porte est ouverte trop fréquemment ou trop longtemps.	Lorsque les portes sont ouvertes trop fréquemment ou trop longtemps, de l'air chaud et humide entre dans le compartiment. Ceci accroît la température et l'humidité à l'intérieur du compartiment. Lorsqu'il y a plus d'humidité, cela entraîne la formation de givre et de condensation. Pour atténuer l'effet, ouvrez la porte moins souvent ou moins longtemps.
	La porte ne se ferme pas correctement.	Consultez la section du dépannage intitulée « Les portes ne se ferment pas correctement ou s'ouvrent toutes seules ».

Glace et eau

Problème	Cause possible	Solutions
La machine à glaçons ne produit pas assez de glace.	La demande dépasse la capacité de production de glace.	La machine à glaçons peut produire approximativement de 70 à 182 glaçons par période de 24 heures.
	L'entrée d'eau du domicile n'est pas branchée, la valve n'est pas complètement ouverte ou elle est bouchée.	Raccordez le congélateur à une alimentation en eau froide avec une pression adéquate et ouvrez complètement la valve d'eau. Si le problème persiste, il sera peut-être nécessaire de faire appel à un plombier.
	Le filtre à eau est saturé.	Il est recommandé de remplacer le filtre à eau : Environ tous les six mois. Lorsque le voyant du filtre à eau s'allume. Lorsque la sortie d'eau du distributeur diminue. Lorsque les cubes de glace sont plus petits qu'à l'habitude.
	La pression d'entrée d'eau du domicile est trop faible.	La pression de l'eau doit être comprise entre 20 et 120 psi pour les modèles sans filtre et entre 40 et 120 psi pour les modèles avec filtre. Si le problème persiste, il sera peut-être nécessaire de faire appel à un plombier.
	Un système de filtrage par osmose inverse est utilisé.	Les systèmes de filtration par osmose inverse peuvent réduire la pression de l'eau au-dessous de la valeur minimale et occasionner un dysfonctionnement de la machine à glaçons. (Veuillez consulter la section Raccordement de la conduite d'eau.)
	Le tuyau reliant le congélateur au robinet d'approvisionnement est plié.	Le tuyau peut se plier lorsque le congélateur est déplacé lors de l'installation ou du nettoyage, provoquant une réduction du débit d'eau. Redressez ou réparez la conduite d'alimentation en eau et faites en sorte qu'elle ne puisse plus être pliée à l'avenir.
	Les portes sont souvent ouvertes ou restent ouvertes longtemps.	Si les portes de l'appareil sont fréquemment ouvertes, l'air ambiant va réchauffer le congélateur, ce qui va empêcher l'appareil de maintenir la température réglée. Abaisser la température programmée peut résoudre ce problème, tout comme le fait de ne pas ouvrir les portes aussi fréquemment.
	Les portes ne sont pas complètement fermées.	Si les portes ne sont pas correctement fermées, la production de glace sera affectée. Consultez la section Les portes ne se ferment pas complètement ou s'ouvrent toutes seules dans la partie Pièces et caractéristiques de la section Dépannage pour en savoir plus à ce sujet.
	Le réglage de la température du congélateur est trop élevé.	Pour assurer une production normale de glace, la température recommandée du compartiment du congélateur est de 0 °F. Si la température du congélateur est plus élevée, la production de glace sera affectée.
La machine à glaçons ne produit pas de glace.	Le congélateur a été installé récemment ou la machine à glaçons vient d'être branchée.	Jusqu'à 24 heures peuvent être nécessaires pour que chaque compartiment atteigne la température désirée et que la machine à glaçons se mette à fonctionner.
	La machine à glaçons n'est pas en marche.	Vérifiez que la touche On/Off (marche/arrêt) de la machine à glaçons est réglée sur ON (marche).

Eau et glace

Problème	Cause possible	Solutions
La machine à glaçons ne produit pas de glace.	Le capteur de glaçons est obstrué.	La présence de substances étrangères ou de givre sur le capteur de glaçons peut interrompre la production de glaçons. Assurez-vous que la zone du capteur reste toujours propre pour garantir un bon fonctionnement.
	Le congélateur n'est pas raccordé à une alimentation en eau ou la valve n'est pas ouverte.	Raccordez le congélateur à l'alimentation en eau et ouvrez complètement la valve.
	Le dispositif d'arrêt automatique (levier) de la machine à glaçons est obstrué.	Si votre machine à glaçons est dotée d'un levier d'arrêt automatique, assurez-vous que ce dernier peut être déplacé librement. Si votre machine à glaçons est dotée d'un capteur de contrôle de la production de glace, assurez-vous que l'espace entre les deux capteurs est dégagé.
	Un système de filtration d'eau par osmose inverse est raccordé à l'alimentation en eau froide.	Les systèmes de filtration par osmose inverse peuvent réduire la pression de l'eau au-dessous de la valeur minimale et occasionner un dysfonctionnement de la machine à glaçons. (Veuillez consulter la section Raccordement de la conduite d'eau.)
La glace goûte ou sent mauvais.	L'entrée d'eau contient des minéraux comme du soufre.	L'installation d'un filtre à eau peut être nécessaire pour éliminer les problèmes de goût et d'odeur. REMARQUE : Dans certains cas, un filtre à eau peut se révéler insuffisant. Il n'est pas toujours possible d'éliminer les minéraux, les goûts ou les odeurs présents dans toutes les sources d'alimentation en eau.
	La machine à glaçons vient d'être installée.	Les glaçons qui sont stockés depuis longtemps rapetissent, deviennent troubles ou peuvent avoir mauvais goût. Jetez la vieille glace et fabriquez-en une nouvelle réserve.
	Les aliments n'ont pas été rangés correctement dans le compartiment.	Remballez les aliments. L'odeur des aliments peut se fixer à la glace si ceux-ci ne sont pas emballés correctement.
	L'intérieur du congélateur doit être nettoyé.	Veuillez consulter la section Entretien pour en savoir plus à ce sujet.
	Le bac à glace doit être nettoyé.	Videz et lavez le bac (jetez les vieux glaçons). Assurez-vous que le bac est complètement sec avant de le réinstaller.
La machine à glaçons produit trop de glace.	Le dispositif d'arrêt automatique (levier et capteur) de la machine à glaçons est obstrué.	Videz le bac à glaçons. Si votre machine à glaçons est dotée d'un levier d'arrêt automatique, assurez-vous que ce dernier peut être déplacé librement. Si votre machine à glaçons est dotée du capteur électronique d'arrêt de distribution des glaçons, assurez-vous que rien n'entrave l'espace entre les deux capteurs. Réinstallez le bac à glaçons et attendez 24 heures avant de confirmer le fonctionnement adéquat de l'appareil.

Pièces et caractéristiques

Problème	Cause possible	Solutions
Les portes ne se ferment pas complètement ou s'ouvrent toutes seules.	Des aliments empêchent la fermeture de la porte.	Rangez les aliments d'une autre façon pour dégager la porte et ses tablettes.
	Le bac à glaçons, le couvercle du bac à légumes et fruits, les bacs, les tablettes, les balconnets de la porte ou les paniers ne sont pas positionnés correctement.	Poussez les bacs jusqu'au fond et placez le couvercle du bac à légumes et fruits, les bacs, les tablettes et les paniers dans leur position normale. Veuillez consulter la section Fonctionnement pour en savoir plus à ce sujet.
	Les portes ont été enlevées durant l'installation de l'appareil et n'ont pas été correctement remises en place.	Enlevez et remplacez les portes en suivant les instructions d'installation.
	Le congélateur n'est pas d'aplomb.	Veuillez consulter la section Alignement de la porte dans la partie Installation pour positionner le congélateur de façon adéquate.
La porte est difficile à ouvrir.	Les joints sont sales ou collants.	Nettoyez les joints et leurs surfaces de contact. Frottez un chiffon avec du lustre ou de la cire pour meubles sur les joints après les avoir nettoyés.
	La porte vient d'être refermée.	Lorsque vous ouvrez la porte, de l'air chaud entre dans le congélateur. Le refroidissement de l'air chaud peut créer un vide. Si la porte est difficile à ouvrir, attendez une minute pour permettre à la pression de l'air de s'égaliser, puis vérifiez si elle s'ouvre plus facilement.
L'éclairage ne fonctionne pas.	Les lumières à DEL à l'intérieur ne fonctionnent pas.	La lampe du congélateur est un éclairage intérieur à DEL, et son entretien doit être réalisé par un professionnel.
L'intérieur du congélateur est couvert de poussière ou de suie.	Le congélateur est placé près d'une flamme ou d'un feu, comme une cheminée, un poêle à bois ou une bougie.	Assurez-vous que le congélateur n'est pas situé près d'une flamme ou d'un feu, comme une cheminée, un poêle à bois ou une bougie.

Bruits

Problème	Cause possible	Solutions
Clic	La commande du dégivrage cliquette lorsque le cycle de dégivrage automatique se met en marche ou s'arrête. La commande du thermostat (ou la commande du congélateur sur certains modèles) cliquette aussi en début et en fin de cycle.	Fonctionnement normal
Cliquetis	Des cliquetis peuvent être dus à la circulation du fluide frigorigène, à la conduite d'alimentation en eau à l'arrière de l'appareil, ou aux éléments rangés au-dessus ou autour du congélateur.	Fonctionnement normal
	Le congélateur n'est pas en position stable sur le sol.	Le sol flanche ou est inégal, ou les pieds de nivellement doivent être ajustés sous le congélateur. Veuillez consulter la section Nivellement et alignement de la porte.
	Le congélateur doté d'un compresseur linéaire a été déplacé brusquement.	Fonctionnement normal
Sifflement	Le moteur du ventilateur de l'évaporateur fait circuler de l'air à travers le compartiment du congélateur.	Fonctionnement normal
	Le ventilateur du condenseur souffle de l'air sur le condenseur.	Fonctionnement normal
Gargouillement	Le fluide frigorigène circule dans le système de refroidissement.	Fonctionnement normal
Pop	Contraction et expansion des parois internes causées par les changements de température.	Fonctionnement normal
Grésillement	Eau s'égouttant sur le radiateur de dégivrage lors du cycle de dégivrage.	Fonctionnement normal
Vibration	Si le côté ou l'arrière du congélateur touche un meuble ou un mur, certaines des vibrations normales de l'appareil peuvent émettre un son audible.	Pour supprimer ce bruit, assurez-vous que les côtés et l'arrière du congélateur ne peuvent pas vibrer contre un meuble ou un mur.
Égouttement	Eau s'écoulant à travers l'égouttoir au cours du cycle de dégivrage.	Fonctionnement normal
Son pulsatoire ou aigu	Votre congélateur est conçu pour fonctionner plus efficacement afin de garder vos aliments à la température désirée. Le compresseur à haute efficacité peut faire fonctionner votre nouveau congélateur plus longtemps que l'ancien, mais il est encore plus écoénergétique que les modèles précédents. Il est normal d'entendre un son pulsatoire ou aigu lorsque le congélateur est en marche.	Fonctionnement normal

Réseau Wi-Fi

Problème	Cause possible	Solutions
<p>Votre appareil électroménager et votre téléphone intelligent ne sont pas connectés au réseau Wi-Fi.</p>	<p>Le mot de passe du réseau Wi-Fi auquel vous essayez de vous connecter est incorrect.</p>	<ul style="list-style-type: none"> • Trouvez le réseau Wi-Fi connecté à votre téléphone intelligent et supprimez-le, puis enregistrez votre appareil sur l'application SIGNATURE KITCHEN SUITE.
	<p>Les données mobiles de votre téléphone intelligent sont activées.</p>	<ul style="list-style-type: none"> • Désactivez les données mobiles sur votre téléphone intelligent avant d'enregistrer l'appareil à l'aide du réseau Wi-Fi.
	<p>Le nom du réseau sans fil (SSID) est erroné.</p>	<ul style="list-style-type: none"> • Le nom du réseau sans fil (SSID) doit être une combinaison de lettres et de chiffres anglais. (N'utilisez pas de caractères spéciaux.)
	<p>La fréquence du routeur n'est pas de 2,4 GHz.</p>	<ul style="list-style-type: none"> • Seule une fréquence de routeur de 2,4 GHz est prise en charge. Réglez le routeur sans fil à 2,4 GHz et connectez-y l'appareil. Pour connaître la fréquence du routeur, informez-vous auprès de votre fournisseur de services Internet ou du fabricant du routeur.
	<p>La distance entre l'appareil et le routeur est trop grande.</p>	<ul style="list-style-type: none"> • Si l'appareil est trop éloigné du routeur, le signal peut être faible et la connexion peut ne pas être configurée correctement. Déplacez le routeur afin qu'il soit plus près de l'appareil.

GARANTIE LIMITÉE

POUR ÉTATS-UNIS

Si votre SIGNATURE KITCHEN SUITE (« produit ») ne fonctionne pas à cause d'un défaut de matériaux ou de fabrication malgré un usage domestique normal au cours de la période de garantie énoncée ci-dessous, SIGNATURE KITCHEN SUITE réparera ou remplacera le produit, à sa discrétion. Cette garantie limitée est valide uniquement pour l'acheteur original du produit et ne s'applique que lorsqu'il est acheté et utilisé aux États-Unis, y compris sur les territoires américains. Une preuve de l'achat original est exigée pour obtenir le service de garantie en vertu de cette garantie limitée.

PÉRIODE DE GARANTIE			
Réfrigérateur / Congélateur	Systeme scellé (condensateur, sècheuse, tuyau de raccordement et évaporateur)	Compresseur	
Trois (3) ans après la date d'achat original de l'appareil.	Cinq (5) ans après la date d'achat original de l'appareil.	Cinq (5) ans après la date d'achat original de l'appareil.	Compresseur linéaire/à inversion seulement : Pièces seulement - de la 6 ^e à la 10 ^e année à compter de la date d'achat original de l'appareil. (Les frais de main-d'œuvre seront facturés au consommateur.)
Pièces et main-d'œuvre (pièces internes et fonctionnelles uniquement)	Pièces et main-d'œuvre	Pièces et main-d'œuvre	

- Les produits et pièces de remplacement sont garantis pour la portion restante de la période de garantie originale ou quatre-vingt-dix (90) jours, selon la période la plus longue.
- Les produits et pièces de remplacement peuvent être neufs ou remis à neuf.
- Une preuve de l'achat original détaillant le modèle du produit et la date d'achat est exigée pour obtenir le service de garantie en vertu de cette garantie limitée.

SAUF DANS LES LIMITES PRÉVUES PAR LA LÉGISLATION EN VIGUEUR, TOUTE GARANTIE IMPLICITE DE QUALITÉ MARCHANDE OU D'ADAPTATION À UN USAGE PARTICULIER SUR LE PRODUIT EST LIMITÉE À LA DURÉE DE LA PRÉSENTE GARANTIE LIMITÉE. EN AUCUN CAS, SIGNATURE KITCHEN SUITE OU SES DISTRIBUTEURS OU REVENDEURS AUX ÉTATS-UNIS NE SERONT RESPONSABLES DE TOUT DOMMAGE INDIRECT, ACCESSOIRE, CONSÉCUTIF, SPÉCIAL OU PUNITIF, Y COMPRIS, MAIS SANS S'Y LIMITER, LES PERTES DE FONDS COMMERCIAUX, LES PERTES DE REVENUS OU DE BÉNÉFICES, UN ARRÊT DE TRAVAIL, LA DÉTÉRIORATION D'AUTRES MARCHANDISES, LES COÛTS ASSOCIÉS AU DÉPLACEMENT ET À LA RÉINSTALLATION DU PRODUIT, LA PERTE D'UTILISATION, OU TOUT AUTRE DOMMAGE, QU'IL SOIT CONTRACTUEL, DÉLICITUEL OU AUTRE. LA RESPONSABILITÉ TOTALE DE SIGNATURE KITCHEN SUITE, LE CAS ÉCHÉANT, NE POURRA EN AUCUN CAS EXCÉDER LA SOMME QUE VOUS AVEZ PAYÉE POUR ACQUÉRIR LE PRODUIT.

Certains États ne permettent pas l'exclusion ou la limitation des dommages indirects ou consécutifs, ou les limitations de la durée de la garantie implicite, auquel cas l'exclusion ou la limitation susmentionnée peut ne pas s'appliquer à vous. Cette garantie vous confère des droits juridiques particuliers, et vous avez peut-être aussi d'autres droits qui peuvent varier selon l'État où vous habitez.

LA PRÉSENTE GARANTIE LIMITÉE NE COUVRE PAS CE QUI SUIT :

- Un appel de service pour livrer, ramasser, installer ou réparer le produit; renseigner le client sur le fonctionnement du produit, rectifier le câblage ou corriger des réparations non autorisées.
- Le bris ou le dysfonctionnement du produit durant une panne, une interruption de l'alimentation électrique ou une mauvaise alimentation en électricité.
- Le bris ou le dysfonctionnement causés par des tuyaux d'eau qui fuient qui sont inadaptés ou gelés, des petits tuyaux de vidange, une arrivée d'eau inadaptée ou coupée, ou une arrivée d'air inadaptée.
- Les dommages attribuables à l'utilisation du produit dans un milieu aux conditions corrosives ou de façon contraire aux indications du manuel d'utilisation.

- Le bris ou le dysfonctionnement du produit causés par des accidents, des insectes nuisibles, de la vermine, la foudre, le vent, un incendie, une inondation ou une catastrophe naturelle, ou toute autre situation hors du contrôle de SIGNATURE KITCHEN SUITE.
- Le bris ou le dysfonctionnement attribuables à toute modification non autorisée ou par une utilisation autre que celle prévue, ou par une fuite d'eau résultant d'une installation inadéquate.
- Le bris ou le dysfonctionnement attribuables à une utilisation mauvaise ou abusive, ou à une installation, à une réparation ou à un entretien inadéquats. Une réparation incorrecte comprend l'utilisation de pièces non autorisées par SIGNATURE KITCHEN SUITE. Une installation ou un entretien incorrect comprend l'installation ou l'entretien de façon contraire aux indications du manuel d'utilisation ou du manuel d'installation.
- Le bris ou le dysfonctionnement causés par une alimentation électrique ou une plomberie inadéquate, une utilisation commerciale ou industrielle, ou l'utilisation d'accessoires, de composants ou de produits de nettoyage non approuvés par SIGNATURE KITCHEN SUITE.
- Le bris ou le dysfonctionnement causés par le transport et la manutention, y compris les rayures, bosses, entailles ou autres dommages au produit fini, sauf si de tels dommages sont rapportés dans un délai d'une (1) semaine après la livraison.
- Les dommages et les pièces manquantes pour tout produit utilisé aux fins de démonstration, tout produit déjà déballé avant l'achat ou tout produit vendu à rabais.
- Tout produit remis à neuf ou tout autre produit vendu « tel quel », « tel que disponible », « avec tous les défauts », ou tout avis de non-responsabilité semblable.
- Des produits dont le numéro de série original a été retiré, modifié ou ne peut être facilement déterminé.
- Les augmentations des frais de fonctionnement et des autres dépenses de fonctionnement.
- Tout bruit associé à un fonctionnement normal.
- L'utilisation d'accessoires (p. ex., filtres à eau, etc.), de composants ou de produits de nettoyage non approuvés par SIGNATURE KITCHEN SUITE.
- Le remplacement des ampoules, des filtres ou des consommables.
- Les réparations lorsque votre appareil est utilisé dans des conditions autres que normales et domestiques (utilisation commerciale, dans des bureaux ou des installations récréatives ou des véhicules) ou contraires aux consignes établies dans le manuel du propriétaire de l'appareil.
- Les coûts associés au retrait et à la réinstallation du produit de votre résidence aux fins de réparation.
- Les étagères, les bacs de la porte, les tiroirs, les poignées et les accessoires, à l'exception des pièces internes/fonctionnelles couverte par la présente garantie limitée.

Le coût des réparations ou du remplacement dans les circonstances d'exclusion ci-dessus est assumé par le consommateur.

OBTENIR DES SERVICES SOUS GARANTIE ET DES RENSEIGNEMENTS ADDITIONNELS

Composez le 1-855-790-6655 et sélectionnez l'option appropriée dans le menu.

Ou visitez notre site Web au <http://www.signaturekitchensuite.com>.

Ou par courrier : Service à la clientèle de SIGNATURE KITCHEN SUITE/SIGNATURE KITCHEN SUITE Customer Service P.O. Box 240007 Huntsville, AL 35813 c/o: CIC



MANUAL DEL PROPIETARIO

CONGELADOR INCORPORADO

Lea detenidamente el manual del propietario antes de poner el electrodoméstico en funcionamiento y consérvelo a mano en todo momento para su referencia.

SKSCF1801P
SKSCF2401P
SKSCF3001P

www.signaturekitchensuite.com

TABLA DE CONTENIDOS

3 CARACTERÍSTICAS DEL PRODUCTO

4 INSTRUCCIONES DE SEGURIDAD

- 4 INSTRUCCIONES IMPORTANTES DE SEGURIDAD

8 ESPECIFICACIONES DEL PRODUCTO

9 DESCRIPCIÓN GENERAL DEL PRODUCTO

- 9 Interior

10 FUNCIONAMIENTO

- 10 Antes de Usar
- 11 Panel de control
- 13 Compartimento de Hielo
- 13 Máquina de Hielo Automática
- 13 Almacenando Alimentos
- 17 Ajustando los Estantes

18 FUNCIONES INTELIGENTES

- 18 Aplicación SIGNATURE KITCHEN SUITE
- 20 Función Smart Grid (Red Inteligente)
- 21 Función Smart Diagnosis™ (Diagnóstico Inteligente)

24 MANTENIMIENTO

- 24 Limpieza
- 25 Reemplazo del Filtro de Agua

30 SOLUCIÓN DE PROBLEMAS

- 30 Preguntas frecuentes
- 31 Antes de llamar al servicio técnico

39 GARANTÍA LIMITADA

CARACTERÍSTICAS DEL PRODUCTO

Según el modelo, es posible que algunas de las siguientes funciones no estén disponibles.

ALARMA DE LA PUERTA

La función Alarma de la Puerta está diseñada para prevenir problemas de funcionamiento que puedan ocurrir al dejar una puerta abierta. Si una puerta se deja abierta por más de 60 segundos, una alarma de advertencia sonará a intervalos de 30 segundos.

FUNCIÓN ICE PLUS


La producción de hielo se incrementa cuando la sección del congelador se mantiene en la temperatura más baja durante un período de 24 horas.

INSTRUCCIONES DE SEGURIDAD

LEA TODAS LAS INSTRUCCIONES ANTES DE UTILIZAR

Su seguridad y la de los demás son muy importantes.

Tanto en este manual como en el equipo, hemos proporcionado muchos mensajes de seguridad importantes. Siempre debe leer y respetar todos los mensajes de seguridad.

 Este es el símbolo de alerta de seguridad.
Este símbolo le advierte sobre posibles riesgos que pueden ocasionar lesiones o la muerte a usted o a otros. El símbolo de alerta de seguridad siempre estará acompañado de las palabras “ADVERTENCIA” o “PRECAUCIÓN” y seguido de un mensaje de seguridad importante.

Estos términos significan lo siguiente:

ADVERTENCIA

Podría sufrir lesiones graves o la muerte si no sigue las instrucciones.

PRECAUCIÓN

Puede resultar lesionado o causar daño al producto si no sigue las instrucciones.

Todos los mensajes de seguridad le indicarán cuál es el riesgo potencial, le indicarán cómo reducir la probabilidad de lesiones y le proporcionarán información sobre qué podría suceder si no se siguen las instrucciones.

INSTRUCCIONES IMPORTANTES DE SEGURIDAD

ADVERTENCIA

Para disminuir el riesgo de explosiones, incendios, descargas eléctricas, quemaduras, lesiones o muerte para las personas que usen este artefacto, siga las precauciones básicas, incluidas las siguientes:

FUNCIONAMIENTO

- No use este electrodoméstico para fines especiales, como para conservar medicamentos o materiales de ensayo, usar en barcos, etc.
- **NO PERMITA** que los niños se suban, paren, o cuelguen de las puertas o estantes del congelador. Podrían dañar el congelador y ocasionarse una herida.
- No permita que niños suban al congelador. Podrían quedar atrapados y sofocarse.
- Debe supervisar a los niños para asegurarse de que no jueguen con el congelador.
- Mantenga sus dedos alejados de las áreas de fijación al abrir o cerrar las puertas. Sea cuidadoso al cerrar las puertas mientras hayan niños alrededor.
- No toque los alimentos congelados ni las partes metálicas del compartimento del congelador si tiene las manos mojadas o húmedas. Hacerlo podría causar congelación.
- No vuelva a congelar alimentos congelados que se hayan descongelado por completo. Esto podría ser peligroso para su salud.
- Se recomienda un disyuntor o un circuito derivado individual, con una conexión a tierra apropiada.
- No use adaptadores ni enchufe el cable de alimentación en un alargador de múltiples tomacorrientes.
- No use un cable que tenga grietas o daño de abrasión en su longitud o en algún extremo del enchufe o conector. Haga que personal de servicio calificado repare inmediatamente todo cable de energía que esté gastado o dañado de alguna manera.
- No use el congelador ni toque el cable de alimentación con las manos mojadas.
- No modifique ni extienda el cable de alimentación.
- No use un tomacorriente que no esté certificado. No enchufe el electrodoméstico en un tomacorriente de pared dañado.
- No coloque las manos, los pies u otros objetos en las ranuras de ventilación ni en la parte inferior del congelador. No seguir esta advertencia puede resultar en lesiones graves o en una descarga eléctrica.
- En caso de una fuga de gas (propano/LPG), asegúrese de que el área esté adecuadamente ventilada y contacte a un centro de servicio autorizado antes de continuar con su uso. No toque el congelador ni su botón de encendido.
- Apague el electrodoméstico inmediatamente y contacte a un centro de servicio autorizado si escucha algún ruido extraño, o si percibe algún olor o humo saliendo del electrodoméstico.
- No use fusibles (como cobre, alambre de acero, etc.) que no sean los fusibles estándar.
- No coloque ni use un aparato eléctrico dentro del congelador, a menos que sea de un tipo recomendado por el fabricante.
- No introduzca animales con vida dentro del electrodoméstico.
- Evite el contacto con partes en movimiento del mecanismo eyector o con el calentador que dispensa los cubos de hielo. **NO** coloque los dedos en la máquina automática de hielo cuando el congelador esté enchufado.
- Este electrodoméstico no está destinado al uso por personas (incluyendo niños) con capacidades físicas, sensoriales o mentales reducidas, a menos que se les provea supervisión o instrucciones concernientes al uso del mismo por parte de una persona responsable de su seguridad.
- Si se conecta a un circuito protegido con fusibles, utilice un fusible de retardo.

MANTENIMIENTO

- No utilice una secadora de pelo para secar el interior del congelador.
- No encienda una vela para remover malos olores en el congelador.
- En caso de una fuga de refrigerante, aleje los objetos inflamables del congelador. Asegúrese de que el área esté adecuadamente ventilada y póngase en contacto con un centro de servicio autorizado.
- Mantenga materiales inflamables y vapores, como gasolina, alejados del congelador.
- Este electrodoméstico está diseñado para uso doméstico y aplicaciones similares como áreas de cocina en tiendas, oficinas y lugares de trabajo; granjas; por clientes en hoteles, moteles y otros tipos de ambientes residenciales; dormitorios; aplicaciones de abastecimiento y de servicios similares de no distribución.
- Apague el congelador antes de limpiarlo o repararlo.
- Las luces del compartimento del congelador son luces LED para interiores, y un técnico calificado debe realizar el mantenimiento.
- Apague inmediatamente el electrodoméstico en caso haya un apagón o tormenta eléctrica.
- Apague el congelador si agua o polvo penetrara en él. Llame a un agente de servicio.
- No almacene contenedores de vidrio ni refrescos en el compartimento del congelador. Al congelarse, los contenidos pueden expandirse, romper el contenedor y provocar lesiones.
- No almacene, desarme, ni repare el electrodoméstico usted mismo, y tampoco permita que personal no calificado lo haga.
- Si el cable de suministro eléctrico está dañado, este deberá ser reemplazado únicamente por el fabricante, su agente de servicio, o por una persona similarmente cualificada a manera de evitar riesgos.
- No almacene sustancias explosivas como latas de aerosol con propulsores inflamables en este electrodoméstico.

ELIMINACIÓN

- Los congeladores desechados o abandonados son peligrosos, incluso si lo están sólo por unos días. Al momento de desechar el congelador, retire los materiales de embalaje de la puerta o quite las puertas, pero deje los estantes en su lugar, a fin de que los niños no puedan ingresar fácilmente a este.
- Al desechar un congelador, asegúrese de que el refrigerante haya sido removido previo a que personal de servicio cualificado proceda con la eliminación del mismo. Si usted libera el refrigerante, podría ser multado o encarcelado de acuerdo a las leyes ambientales aplicables.

INSTRUCCIONES DE CONEXIÓN A TIERRA

- La conexión incorrecta del conductor de puesta a tierra del equipo puede provocar un riesgo de descarga eléctrica. Consulte con un electricista calificado o técnico de servicio si tiene dudas sobre si el aparato está debidamente conectado a tierra. No modifique el enchufe proveído con el electrodoméstico; si este no caza en su tomacorriente, debe solicitar la instalación de uno adecuado a un electricista cualificado.
- Haga que un técnico certificado verifique que el tomacorriente de pared y los cables estén adecuadamente conectados a tierra.

⚠ PRECAUCIÓN

Para reducir el riesgo de lesiones leves o moderadas a personas y el mal funcionamiento o daño al producto o propiedad cuando use este producto, siga las precauciones básicas, incluidas las siguientes:

INSTALACIÓN

- No instale el congelador en un lugar donde exista el riesgo de que se caiga.
- El congelador debe instalarse correctamente, teniendo en cuenta las instrucciones de instalación.

FUNCIONAMIENTO

- No utilice aerosoles cerca del congelador.
- Este congelador está destinado únicamente a usos domésticos y similares.
- No golpee ni aplique demasiada fuerza en las superficies de vidrio. No toque las superficies de vidrio si están agrietadas o rotas.
- No llene ni envase en exceso los alimentos en los compartimentos de la puerta. Esto podría dañar el compartimento o provocar lesiones personales al retirar los alimentos aplicando una fuerza excesiva.
- No llene demasiado el electrodoméstico. Si lo hace podría lesionarse o causar daño a la propiedad.

MANTENIMIENTO

- No use detergentes fuertes como cera o diluyentes para la limpieza. Limpie con un trapo suave.
- Remueva objetos extraños (como polvo y agua) de las clavijas del cable de alimentación y áreas de contacto. No utilice un paño húmedo o mojado al limpiar el enchufe.
- No rocíe agua directamente dentro o fuera del congelador.
- Cuando estén fríos, no limpie los estantes de vidrio ni las tapas con agua caliente. Si se exponen a cambios de temperatura repentinos, podrían romperse.

⚠ ADVERTENCIA

- Mantenga las aperturas de ventilación, en la cubierta del electrodoméstico o en la estructura incorporada, despejadas de obstrucciones.
- No utilice dispositivos mecánicos u otros medios para acelerar el proceso de descongelado, con excepción de aquellos recomendados por el fabricante.
- No dañe el circuito refrigerante.
- No utilice aparatos eléctricos dentro de los compartimentos de almacenaje de alimentos del electrodoméstico, a menos que sean de un tipo recomendado por el fabricante.
- El gas refrigerante y de aislamiento usado en el electrodoméstico requiere procedimientos de desecho especiales. Al desechar, por favor consulte con un agente de servicio o persona similarmente calificada.



Este electrodoméstico contiene una pequeña cantidad de refrigerante isobutano (R600a), gas natural con alta compatibilidad ambiental, pero también combustible. Al transportar e instalar el electrodoméstico, debe prestar atención para asegurar que ninguna parte del circuito refrigerante se dañe. Fuga del refrigerante fuera de las pipas podría generar un incendio o causar una lesión ocular. Si se detecta una fuga, evite cualquier llama descubierta o causas potenciales de incendio, y ventile el ambiente en el que se encuentra el electrodoméstico por varios minutos.

A manera de evitar la creación de una mezcla de gas y aire inflamable en caso ocurra una fuga en el circuito refrigerante, el tamaño del ambiente en el que el electrodoméstico se ubica deberá corresponder a la cantidad de refrigerante usada. El espacio debe ser de 1 m² por cada 8g de refrigerante R600a dentro del electrodoméstico. La cantidad de refrigerante en su electrodoméstico particular se muestra en la placa de identificación ubicada dentro del mismo. Nunca inicie un electrodoméstico mientras este muestre algún signo defectuoso. En caso de dudas, consulte con su distribuidor.

GUARDE ESTAS INSTRUCCIONES

ESPECIFICACIONES DEL PRODUCTO

La apariencia y las especificaciones detalladas en este manual podrían variar debido a mejoras constantes en el producto.

Requisitos Eléctricos: 115 V, 60 Hz

Presión de Agua Min / Max: 20 - 120 psi (138 - 827 kPa)

Modelo SKSCF1801P	
Descripción	Congelador Incorporado
Peso neto	304 lb (138 kg)

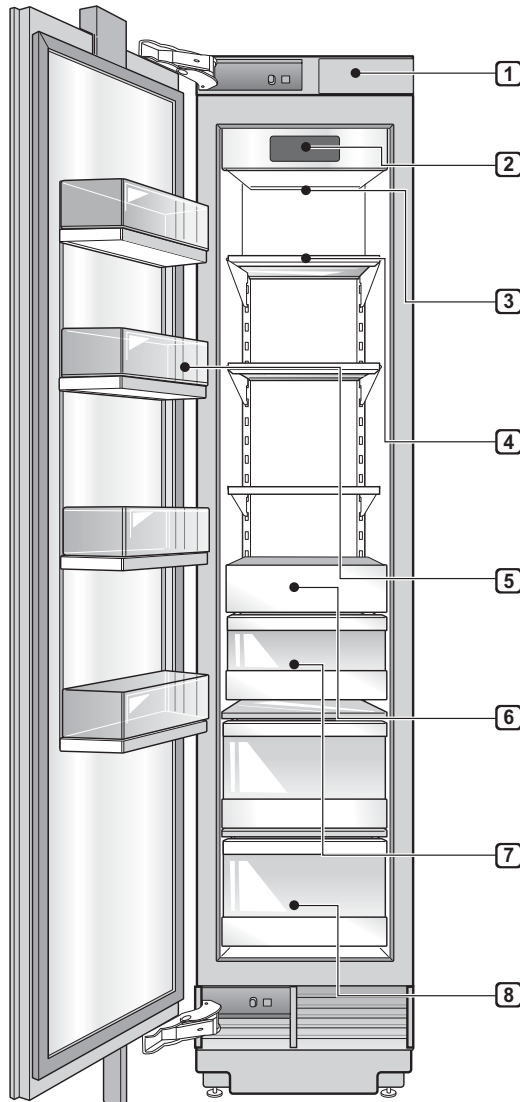
Modelo SKSCF2401P	
Descripción	Congelador Incorporado
Peso neto	346 lb (157 kg)

Modelo SKSCF3001P	
Descripción	Congelador Incorporado
Peso neto	403 lb (183 kg)

DESCRIPCIÓN GENERAL DEL PRODUCTO

Las ilustraciones en esta guía pueden diferir de los componentes y accesorios reales, los cuales están sujetos a cambios sin previo aviso por parte del fabricante a fin de introducir mejoras en el producto.

Interior



1 Filtro de agua

Purifica el agua.

NOTA

- El filtro debe cambiarse cada 6 meses. Consulte la sección Reemplazo del filtro de agua de este manual para obtener más información.

2 Panel de control

Ajusta la temperatura del congelador y la condición del filtro de agua.

3 Iluminación interior LED

Ilumina el interior del congelador.

4 Estante Ajustable del Congelador

Los estantes del congelador son ajustables para satisfacer sus necesidades personales de almacenamiento.

5 Bandeja Móvil de la Puerta

Preserva las comidas o bebidas congeladas.

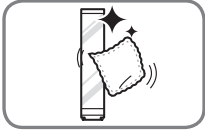
6 Dispensador de Hielo

7 Almacenaje de Hielo

8 Cajón

FUNCIONAMIENTO

Antes de Usar

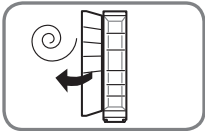


Limpié el congelador.

Limpié el congelador intensivamente y sacuda todo el polvo acumulado durante el envío.

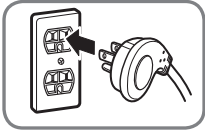
⚠ PRECAUCIÓN

- No raye el congelador con objetos puntiagudos ni use detergente que contenga alcohol, líquidos inflamables o abrasivos al remover cualquier cinta o adhesivo del mismo. Remueva residuos de adhesivos con su dedo pulgar o limpiéndolos con detergente para vajillas.
- No despegue la etiqueta de número de serie, modelo o información técnica del panel trasero del congelador.



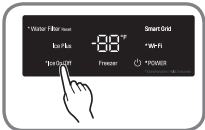
Abra las puertas del congelador para ventilar el interior del mismo.

Puede que al inicio el interior del congelador huela a plástico. Remueva toda cinta adhesiva del interior del congelador y abra las puertas del mismo para que se ventile.



Conecte la fuente de energía.

Verifique que la fuente de energía esté conectada previo a usar.

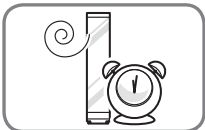


Apague el dispensador de hielo

Apague el dispensador de hielo si el congelador aún no está conectado al suministro de agua.

NOTA

- La válvula de agua del dispensador de hielo puede generar un zumbido si el dispensador de hielo es encendido mientras el congelador no está conectado al suministro de agua.

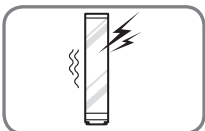


Espere a que el congelador se enfríe.

Permita que el congelador funcione por al menos dos o tres horas previo a colocar alimentos dentro. Revise el flujo de aire frío en el congelador para asegurarse de que esté enfriando apropiadamente.

⚠ PRECAUCIÓN

- Colocar alimentos en el congelador, previo a que éste haya enfriado, podría causar que éstos se echen a perder o que un mal olor permanezca en su interior.



El congelador hace un sonido fuerte luego de la operación inicial.

Esto es normal. El volumen disminuirá conforme baje la temperatura.

Panel de control

Según el modelo, es posible que algunas de las siguientes funciones no estén disponibles.

Funciones del panel de control



NOTA

- Cuando el congelador está en Modo de Ahorro de Energía, la pantalla permanecerá apagada hasta que se abra una puerta o se presione un botón. Una vez hecho, la pantalla se mantendrá encendida por 20 segundos.

1 * Water Filter Reset

(Reinicio del Filtro de Agua)

Reemplace el filtro de agua cuando el icono Replace Filter (Reemplace Filtro) se encienda. Luego de cambiar el filtro, mantenga presionado el botón Water Filter (Filtro de Agua) por tres segundos para apagar la luz del icono. Reemplace el filtro de agua aproximadamente cada seis meses.

2 Función Ice Plus (Más Hielo)

Esta función incrementa tanto la producción de hielo como la capacidad de congelamiento.

- Presione el botón Ice Plus (Más Hielo) para iluminar el ícono y activar la función por 24 horas. La función se desactiva automáticamente después de 24 horas.
- Detenga la función manualmente presionando el botón una vez más.

3 * Ice On/Off (Hielo Encendido/Apagado)

Presione el botón Ice On/Off por tres segundos para encender o apagar el dispensador de hielo.

4 Freezer (Congelador)

Indica la temperatura establecida del compartimento del congelador en grados Celsius (°C) o Fahrenheit (°F)

La temperatura predeterminada del congelador es de 0°F (-18 °C).

Presione repetidamente el botón Freezer (Congelador) para seleccionar una nueva temperatura desde -6 °F hasta 8 °F (-21 °C hasta -13 °C).

5 Smart Grid (Red Inteligente)

Presione el botón Smart Grid para encender o apagar la función Red Inteligente. Cuando la función esté activa, el icono se iluminará. La función Smart Grid (Red Inteligente) se activa automáticamente cuando el congelador se conecta a la red Wi-Fi.

El texto de la red se ilumina cuando el congelador está respondiendo a un mensaje de Demanda de Respuesta (DR) de la compañía eléctrica.

6 * Wi-Fi

El botón Wi-Fi, al ser usado con la aplicación para teléfonos inteligentes SIGNATURE KITCHEN SUITE, permite al congelador conectarse a la red Wi-Fi doméstica.

Consulte la sección Funciones Inteligentes para recibir información sobre la configuración inicial de la aplicación.

El ícono Wi-Fi muestra el estado de la conexión de red del congelador. El icono se ilumina cuando el congelador se conecta a la red Wi-Fi.

Mantenga presionado el botón Wi-Fi por 3 segundos para conectarse a la red. El ícono parpadea mientras la conexión está en proceso, luego se enciende cuando ésta se ha logrado exitosamente.

7 * **Power (Encendido/Apagado)**

El botón Power (Encendido/Apagado) corta toda la corriente eléctrica de la unidad.

Mantenga presionado el botón Power por 3 segundos para apagar el electrodoméstico. Cuando está apagado, la luz indicadora también lo está. No es necesario cortar la energía en el disyuntor o receptáculo de pared. Utilice esta función para servicio o vacaciones extendidas.

4 y **7** **SABBATH**

El modo Sabbath es utilizado en el Sabbat y las festividades Judías.

- Para encender el modo Sabbath, presione la pantalla para activarla, luego mantenga presionados los botones Freezer y Power por 3 segundos hasta que aparezca Sb en la pantalla.
- El modo Sabbath se desactiva automáticamente después de 96 horas.
- Para apagar manualmente el modo Sabbath, mantenga presionados los botones Freezer y Power por 3 segundos.
- Una vez encendido, el modo Sabbath se mantendrá activo incluso si ocurre un apagón.
- Elegir el modo Sabbath automáticamente desactiva las funciones de Luz y Alarma. El dispensador de hielo también se desactiva.
- La pantalla interior se mantiene encendida durante el modo Sabbath, pero sólo "Sb" y los botones Freezer y Power se muestran.
- La temperatura del congelador se fija en 0°F (-18°C) y no puede ser cambiada hasta que el modo Sabbath sea desactivado.

NOTA

- La función Smart Grid (Red Inteligente) se desactiva automáticamente en modo Sabbath. Cuando el modo Sabbath finaliza, la función Smart Grid (Red Inteligente) debe ser activada de nuevo manualmente.

PRECAUCIÓN

Modo de Visualización (Únicamente Para Uso de Tiendas)

- El Modo de Exhibición deshabilita todo el enfriamiento en las secciones del congelador para conservar energía mientras el congelador se exhibe en una tienda detallista. Cuando está activo, se muestra OF en el panel de control, y la pantalla permanece encendida por 20 segundos.

Para desactivar / activar:

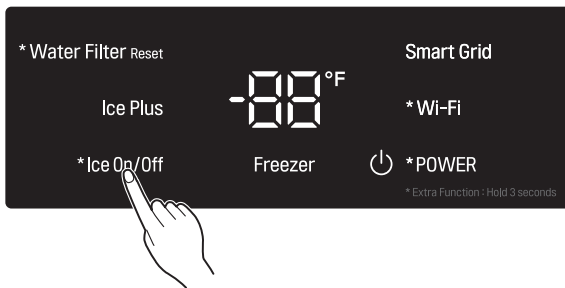
- Con la puerta abierta, mantenga presionados los botones Freezer y Water Filter Reset al mismo tiempo por cinco segundos. El panel de control emite un pitido y se muestra la configuración de temperatura para confirmar que el Modo de Exhibición ha sido desactivado. Utilice el mismo procedimiento para activar el Modo de Exhibición.

Compartimento de Hielo

PRECAUCIÓN

- Mantenga sus manos y cualquier herramienta fuera del compartimento de hielo. No seguir esta indicación podría resultar en daños o heridas personales.
- Deseche las primeras series de hielo luego de la instalación. Esotambién es necesario si el congelador no hasido usado por un largo tiempo.

Máquina de Hielo Automática



Encendido y apagado de la máquina de hielo automática

Para apagar manualmente la máquina de hielo automática, presione el botón **Ice On/Off** en la pantalla por tres segundos.

Sonidos Normales Que Puede Escuchar

- Mantener el suministro energético del dispensador de hielo encendido previo a conectar la línea de agua puede dañar el dispensador.
- La válvula de agua de la máquina de hielo emite un pitido conforme se va llenando de agua. Si el botón **Ice On/Off** está en la posición ON, se emitirá un pitido aún si no ha sido conectada al agua. Para detener el pitido, presione el botón **Ice On/Off** para apagar la máquina de hielo.
- Escuchará el sonido de cubos de hielo cayendo en el recipiente y agua corriendo por la tubería mientras el dispensador de hielo se llena nuevamente.

Preparando para Vacaciones

Ajuste el botón **Ice On/Off** en la posición OFF, y cierre el suministro de agua del congelador.

NOTA

- El recipiente de hielo debe ser vaciado cada vez que el botón **Ice On/Off** se coloca en la posición OFF.

Si la temperatura ambiente cae al punto de congelación, contacte a un técnico calificado para drenar el sistema de suministro de agua y así prevenir serios daños a la propiedad debido a inundaciones causadas por la ruptura de líneas de agua o conexiones.

Almacenando Alimentos

PRECAUCIÓN

- No llene en exceso, ni almacene artículos demasiado cerca en los compartimentos de la puerta. Esto podría dañar el compartimento o provocar lesiones personales al retirar los alimentos aplicando fuerza excesiva.
- No almacene contenedores de vidrio en el congelador. El contenido podría expandirse al congelarse, romper el contenedor y causarle una herida.

NOTA

- Si no estará en casa por un corto período de tiempo, como vacaciones cortas, el congelador deberá mantenerse encendido. Alimentos refrigerados que puedan congelarse se preservarán por más tiempo si se almacenan en el congelador.
- Si dejará el congelador apagado por un largo periodo de tiempo, remueva todos los alimentos y desconecte el cable de alimentación. Limpie el interior y deje la puerta abierta para prevenir la formación de hongos dentro del congelador.
- Si el congelador se mantiene en un lugar caliente y húmedo, abrir frecuentemente la puerta o almacenar muchos vegetales en él podría causar la formación de condensación. Limpie la condensación con un paño limpio o una toalla de papel.
- Si la puerta se abre o cierra con demasiada frecuencia, aire caliente podría ingresar al congelador y elevar su temperatura. Esto podría elevar los gastos de funcionamiento de la unidad.

Consejos de Almacenamiento de Alimentos

Envuelva o almacene alimentos en el congelador en materiales herméticos y a prueba de humedad a menos que se especifique lo contrario. Esto previene que se transfiera el olor y sabor de los alimentos a través del congelador. En productos fechados, revise la fecha para asegurar su frescura.

Comida	Cómo
Manteca o Margarina	Si tiene manteca abierta, manténgala en un recipiente cubierto o en un compartimiento cerrado en el refrigerador. Al almacenar un suministro adicional, envuélvalo en empaque para congelador y congélelo.
Pescado	Almacene pescado fresco y mariscos si estos no son consumidos el mismo día de la compra. Es recomendable comer pescado fresco y mariscos el mismo día de la compra.

Almacenando Alimentos Congelados

Revise una guía de congelado o un libro de cocina confiable para mayor información acerca del preparado de alimentos para congelado o tiempos de almacenamiento.

Congelando

Su congelador no congelará rápidamente una gran cantidad de alimentos. No coloque más alimentos descongelados en el congelador que los que desee congelar durante las siguientes 24 horas (no más de 2 a 3 libras de alimentos por pie cúbico o espacio del congelador).

Deje suficiente espacio en el congelador para que pueda circular aire entre los empaques. Asegúrese de dejar suficiente espacio al frente para que la puerta pueda cerrarse bien.

El tiempo de almacenaje variará dependiendo de la calidad y el tipo de alimentos, el tipo de empaque o envoltorio utilizado (hermético y a prueba de humedad) y la temperatura de almacenaje. Es normal encontrar cristales de hielo dentro de un empaque sellado. Esto simplemente significa que la humedad en dicho artículo alimenticio y el aire dentro del empaque se han condensado, creando así cristales de hielo.

NOTA

- Permita que los alimentos calientes se enfríen a temperatura ambiente por 30 minutos, y luego empaque y congele. Enfriar alimentos calientes previo a congelarlos ahorra energía.

Empaquetado

Un congelado exitoso depende del empaque adecuado. Cuando cierre y selle el empaque, éste no debe permitir que aire o humedad ingrese o salga de él. Si lo hace, podría experimentar olores y transferencia de sabores en el congelador, y también podría secar los alimentos congelados.

Recomendaciones de empaquetado

- Contenedores plásticos rígidos con tapas ajustadas.
- Enlatado de lados rectos / tarros de congelamiento
- Papel aluminio pesado
- Papel plastificado
- Empaques plásticos impermeables
- Bolsas plásticas autosellables para congelador.

Siga las instrucciones del empaque o contenedor para métodos de congelamiento apropiados.

No use

- Envoltorios de pan
- Contenedores plásticos que no sean de polietileno
- Contenedores sin tapas ajustadas
- Papel de cera o envoltorios de congelado recubiertos de cera.
- Envoltorio delgado y semipermeable.

Cajones de Almacenamiento de Hielo y Cajones del Congelador

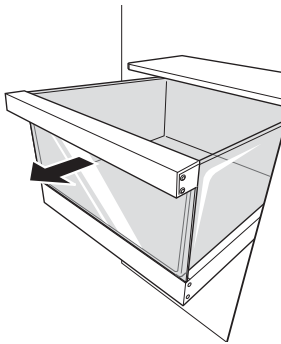
Utilice el compartimiento superior para almacenar alimentos congelados empacados y artículos de uso frecuente.

Utilice los compartimientos inferiores para alimentos congelados más grandes y artículos almacenados por períodos de tiempo más largos.

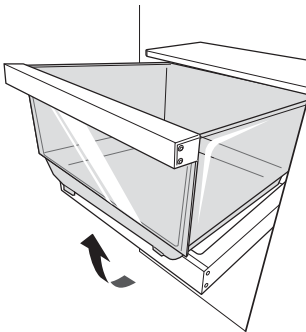
- Las cajas deslizantes le proporcionan acceso fácil y un uso más conveniente.

Removiendo las Cajas

- 1 Saque la caja hasta que ésta se detenga. Retire todo el contenido de la caja previo a removerla.

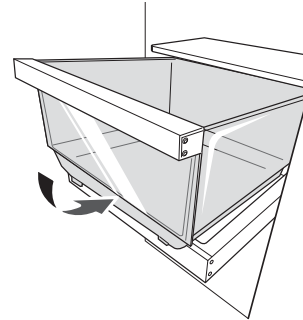


- 2 Levante levemente la caja vacía para removerla del soporte.

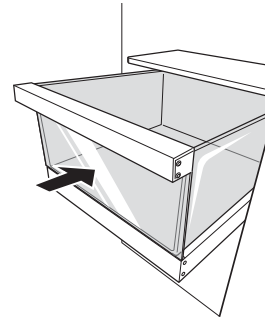


Ensamblando la Caja

- 1 Saque el soporte de la caja hasta que éste se detenga. Inclíne la caja hacia el espacio y ajústela en el soporte.



- 2 Deslice la caja hacia atrás hasta que ésta encaje en su lugar en el soporte. Cierre la caja.



⚠ PRECAUCIÓN

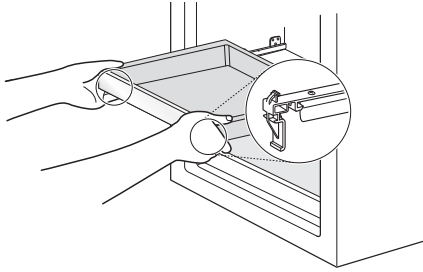
- Las cajas son pesadas. Siempre utilice ambas manos al remover o ensamblar las cajas para evitar una lesión o que se dañe el producto. Siempre vacíe las cajas previo a removerlas.
- Siempre abra las puertas del congelador completamente previo a remover o ensamblar las cajas.

⚠ PRECAUCIÓN

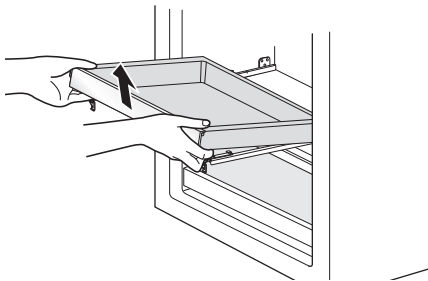
- Las cajas son pesadas. Siempre utilice ambas manos al remover o ensamblar las cajas para evitar una lesión o que se dañe el producto. Siempre vacíe las cajas previo a removerlas o ensamblarlas.
- Siempre abra las puertas completamente previo a remover o ensamblar las cajas.

Removiendo el Soporte de la Caja

- 1 Presione las manijas a ambos lados del soporte de la caja.

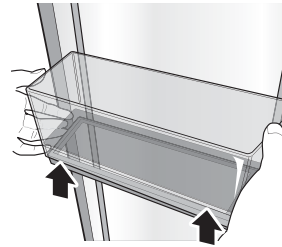


- 2 Manteniendo ambas manijas presionadas, levante levemente el soporte de la caja y remuévala del sistema de riel.



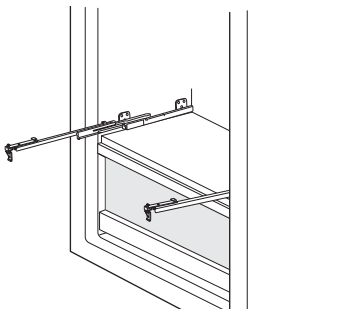
Ajustando las Bandejas de la Puerta

Para ajustar la ubicación de la bandeja, levante levemente la parte frontal de la misma y deslícela hacia arriba o abajo llevándola a su posición deseada.

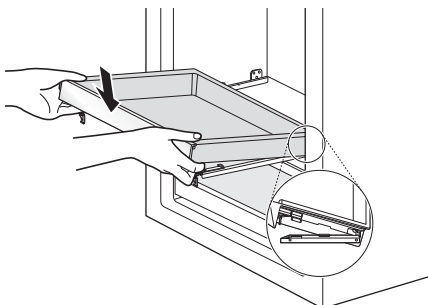


Ensamblando el Soporte de la Caja

- 1 Saque ambos rieles de la caja hasta que éstos se detengan.



- 2 Alinee los ejes inferiores a los lados del soporte de la caja con la ranura en cada riel y baje el soporte hasta que éste haga clic en su lugar.



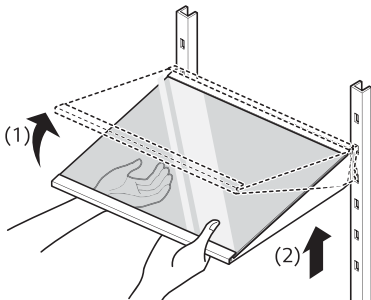
Ajustando los Estantes

Los estantes del congelador son ajustables para satisfacer sus necesidades personales de almacenamiento.

Ajustar los estantes para que quepan artículos de diferentes tamaños hará más fácil la búsqueda de artículos específicos.

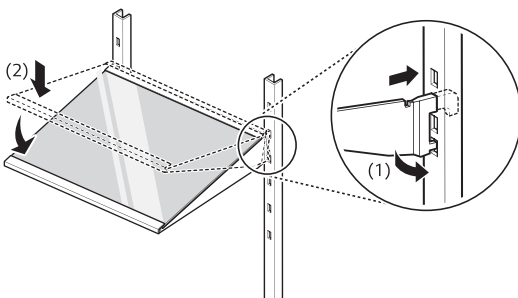
Desprendiendo el Estante

- 1 Incline hacia arriba la parte frontal del estante y luego levántelo.
- 2 Retire el estante.



Ensamblando el Estante

- 1 Incline el frente del estante hacia arriba y guíe los ganchos hacia dentro de las ranuras a la altura deseada.
- 2 Baje el frente del estante para que los ganchos caigan dentro de las ranuras.



⚠ PRECAUCIÓN

- Asegúrese de que los estantes estén nivelados de un lado al otro. No seguir esta indicación podría resultar en la caída del estante o en alimentos derramados.
- No limpie estantes de vidrio con agua tibia cuando estén fríos. Estos pueden romperse al estar expuestos a impactos o cambios de temperatura repentinos.
- Los estantes de vidrio son pesados. Tenga especial cuidado al removerlos.

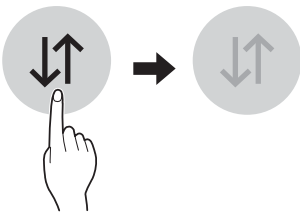
FUNCIONES INTELIGENTES

Aplicación SIGNATURE KITCHEN SUITE

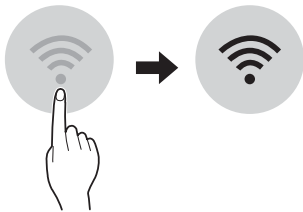
La aplicación SIGNATURE KITCHEN SUITE le permite comunicarse con el electrodoméstico usando un teléfono inteligente.

Previo a Utilizar la Aplicación


- 1 Verifique la intensidad de la señal inalámbrica cerca del electrodoméstico.
 - Si la distancia entre el electrodoméstico y el enrutador inalámbrico es muy grande, la señal será débil. Puede que le tome más tiempo registrarse o que falle la instalación.
- 2 Desactive los Datos Móviles o Datos Celulares en su teléfono inteligente.



- 3 Conecte su teléfono inteligente al enrutador inalámbrico.



NOTA

- Para verificar la conexión Wi-Fi  , revise que el icono Wi-Fi en el panel de control esté encendido.
- La máquina soporta únicamente redes Wi-Fi de 2.4 GHz. Para revisar la frecuencia de su red, contacte a su proveedor de servicios de internet o verifique el manual del enrutador inalámbrico.
- La aplicación SIGNATURE KITCHEN SUITE no es responsable de ningún problema de conexión de red ni de errores, fallos o anomalías causadas por la misma.
- El entorno inalámbrico circundante puede hacer que el servicio de red inalámbrica funcione lentamente.
- Si el electrodoméstico tiene problemas conectándose a la red Wi-Fi, puede que se encuentre muy lejos del enrutador. Compre un repetidor de Wi-Fi (Extensión de rango) para mejorar la intensidad de la señal Wi-Fi.
- Es posible que la conexión de red no funcione bien por cuestiones relacionadas con su proveedor de servicios de Internet.
- Es posible que la conexión Wi-Fi no se conecte o se interrumpa debido al entorno de la red doméstica.
- Si el electrodoméstico no puede registrarse debido a problemas con la transmisión de la señal inalámbrica, desconecte el enrutador y espere alrededor de un minuto previo a encenderlo e intentarlo de nuevo.
- Si el cortafuegos de su enrutador inalámbrico está activado, desactívelo o añada una excepción a éste.
- El nombre de la red inalámbrica (SSID) debe ser una combinación de letras y números. (No utilice símbolos especiales)
- La interfaz de usuario (IU) del teléfono inteligente puede variar dependiendo del sistema operativo (OS) del móvil y del fabricante.
- Si el protocolo de seguridad del enrutador está en WEP, puede que deba cambiarlo a WPA2 a manera de registrar el producto exitosamente.

Instalando la Aplicación SIGNATURE KITCHEN SUITE

Busque la aplicación SIGNATURE KITCHEN SUITE en la tienda Google Play Store o Apple Store desde un teléfono inteligente. Siga las instrucciones para descargar e instalar la aplicación.

Características de la Aplicación SIGNATURE KITCHEN SUITE

Energy Monitoring (Monitoreo de energía)

Esta función lleva un registro del consumo de energía del congelador y del número de veces que se abrió la puerta.

Mensajes Push

Si la puerta se mantiene abierta por más de diez minutos, recibirá una mensaje de notificación. Cuando Ice Plus haya terminado, recibirá un mensaje de notificación.

Smart Diagnosis™

Esta función brinda información útil para diagnosticar y resolver problemas con el producto conforme a su patrón de uso.

Configuración

Le permite ajustar varias opciones en el congelador y en la aplicación.

NOTA

- Si cambia el router inalámbrico, el proveedor de servicios de Internet o la contraseña, elimine el aparato registrado de la aplicación SIGNATURE KITCHEN SUITE y regístrelo de nuevo.
- La información está actualizada al momento de la publicación. La aplicación está sujeta a cambios con propósito de mejoras en el electrodoméstico sin previo aviso a los usuarios.

Función Smart Grid (Red Inteligente)

Cuando el congelador opera en modo Smart Grid (Red Inteligente), la función Congelador Inteligente puede controlar el uso de energía o retrasar la operación de algunas funciones para ahorrar energía durante períodos de uso pico.

- Puede anular la función Smart Grid (Red Inteligente) en cualquier momento (usando el botón o aplicación Smart Grid).
- Para usar la función Smart Grid (Red Inteligente), necesita registrar su electrodoméstico con su compañía eléctrica.

Características de la Aplicación Smart Grid (Red Inteligente)

Ahorro Inteligente Respuesta bajo Demanda

Puede disminuir el uso de energía de acuerdo a las señales de Respuesta a la demanda (DR) de la compañía de energía. Si el congelador está funcionando en modo Ahorro Inteligente de acuerdo a la señal DR, verá un mensaje emergente.

Ahorro de Energía por Temporada

Menor uso de energía basado en un período de tiempo.

Usando la Función Smart Grid (Red Inteligente)

Esta característica responde a eventos de notificación de su compañía eléctrica para llevar a cabo tareas de alto consumo energético durante períodos no pico cuando la demanda es baja. Estos eventos de notificación son conocidos como señales de Respuesta Bajo Demanda.

Si el congelador recibe una señal de Respuesta Bajo Demanda de la compañía eléctrica, éste activará el LED de Red (Grid LED) en la pantalla del congelador y controlará su consumo energético de acuerdo a la señal.

El congelador responderá a las señales recibidas desde la compañía eléctrica siempre y cuando se le dé mantenimiento al desempeño del producto.

Si el congelador recibe una señal de Respuesta Bajo Demanda, éste operará en modo Retardo de Carga del Electrodoméstico (DAL) o Reducción Temporal de Carga del Electrodoméstico (TALR).

Retardo de Carga del Electrodoméstico (DAL)

El congelador responde a la señal DAL proporcionando una reducción moderada de carga durante la duración del período de retraso.

Este modo controla funciones que consumen mucha energía como el ajustado del sistema de enfriado, ciclo de descongelado y producción de hielo.

- Cuando el congelador opera en modo DAL, el LED de Red (Grid LED) se ilumina en la pantalla del congelador.
- El modo DAL es desactivado automáticamente luego del período estipulado por la señal DAL (máx. 4 horas) o cuando anula la función Smart Grid.

Reducción Temporal de Carga del Electrodoméstico (TALR)

El congelador responde a la señal TALR al reducir agresivamente la carga por un corto período de tiempo, típicamente de 10 minutos. Este modo reduce el consumo de energía al detener el compresor y controlar las funciones que consumen mucha energía como el ciclo de descongelado y el ventilador.

- Cuando el congelador opera en modo TALR, el LED de Red (Grid LED) se ilumina en la pantalla.
- El modo TALR es desactivado automáticamente luego del período estipulado por la señal (máx. 10 minutos) o cuando anula la función Smart Grid. El modo es desactivado inmediatamente y el congelador vuelve a su estado normal cuando la puerta es abierta o cerrada, o cuando el dispensador es utilizado.

Anule el Modo Smart Grid (Red Inteligente)

Para ignorar la señal de Respuesta bajo Demanda de la compañía eléctrica y anular la función Smart Grid, presione el botón Smart Grid mientras el congelador está en modo Smart Grid.

Cuando anula la función Smart Grid, el congelador ignora la señal de Respuesta bajo Demanda y este ya no es controlado por la compañía eléctrica hasta que la siguiente es enviada. También puede anular la función Smart Grid usando la aplicación para teléfonos inteligentes.

API Abierto de SIGNATURE KITCHEN SUITE

Puede administrar las características de Smart Grid para el Congelador SIGNATURE KITCHEN SUITE.

Sírvase revisar las especificaciones detalladas en la página de aviso en www.signaturekitchensuite.com.

Lista API

Respuesta bajo Demanda

- Enviar señal de respuesta bajo demanda

Ahorro de Energía

- Configurar modo de ahorro
- Obtener programación de DR/Retraso de Descongelado

Energy Monitoring (Monitoreo de energía)

- Obtener evento puerta abierta
- Obtener consumo de energía

Capacidad de Retraso de Descongelado

- Introducir un evento de programación de retraso de descongelado.
- Actualizar un evento de programación de retraso de descongelado
- Borrar un evento de programación de descongelado atrasado
- Obtener programación de descongelado atrasado.

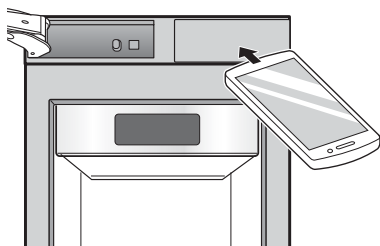
Función Smart Diagnosis™ (Diagnóstico Inteligente)

En caso de experimentar algún problema con el aparato, éste tiene la capacidad de transmitir datos a través de su teléfono al Centro de información SIGNATURE KITCHEN SUITE. Los modelos equipados con NFC o Wi-Fi pueden también transmitir datos a un teléfono inteligente usando la aplicación SIGNATURE KITCHEN SUITE.

Smart Diagnosis™ a través del Centro de Información al cliente

Este método le permite hablar directamente con uno de nuestros especialistas cualificados. El especialista registra los datos transmitidos desde el aparato y los usa para analizar el problema, así le brinda un diagnóstico efectivo y rápido.

- 1 Comuníquese con el Centro de información al cliente de SIGNATURE KITCHEN SUITE llamando al:
(EE. UU.) 1-855-790-6655
- 2 Abra la puerta del congelador.
- 3 Cuando se lo indique el centro de llamadas, sostenga el micrófono de su teléfono frente al altavoz que se encuentra ubicado en la cubierta del filtro del congelador.



- 4 Mantenga presionado el botón Freezer por tres segundos mientras continúa sosteniendo su teléfono contra el altavoz.



- 5 Tras escuchar tres pitidos, suelte el botón Freezer.
- 6 Mantenga el teléfono en esa posición hasta que el tono de transmisión haya finalizado. La pantalla mostrará la cuenta regresiva del tiempo. Una vez la cuenta regresiva haya terminado y los tonos se hayan detenido, continúe su conversación con el especialista, quien podrá asistirle en utilizar la información transmitida para análisis.

NOTA

- Para obtener resultados óptimos, no mueva el teléfono mientras se transmiten los tonos.
- Si el agente del centro de atención no puede obtener una grabación precisa de los datos, es posible que le pida que lo intente nuevamente.
- La calidad de la función Smart Diagnosis™ depende de la calidad de la llamada local.
- Una llamada de mala calidad puede resultar en la mala transmisión de los datos desde su teléfono al centro de llamadas, por lo que Smart Diagnosis™ podría no funcionar adecuadamente.

Smart Diagnosis™

Use la función Smart Diagnosis (Diagnóstico Inteligente) en la aplicación SIGNATURE KITCHEN SUITE para ayudar a diagnosticar problemas sin la ayuda del Centro de información del cliente de SIGNATURE KITCHEN SUITE.

Siga las instrucciones en la aplicación SIGNATURE KITCHEN SUITE para realizar un Diagnóstico Inteligente usando su teléfono inteligente.

NOTA

- Smart Diagnosis™ no puede activarse a menos que el electrodoméstico se encienda usando el botón Power (Encendido/Apagado). Si no es posible encender el electrodoméstico, entonces la resolución de problemas debe llevarse a cabo sin usar Smart Diagnosis™.

Aviso FCC

- El siguiente aviso cubre el módulo transmisor contenido en este producto.

Este equipo ha sido evaluado y se encuentra en conformidad con los límites del equipo digital Clase B, dispuesto en la Parte 15 de las Reglas FCC, y también en la Parte 18 de las Reglas FCC. Estos límites están designados para proveer una protección razonable contra interferencia dañina en una instalación residencial. Este equipo genera, usa, y emite energía de radio frecuencias y, si no se instala y utiliza de acuerdo a las instrucciones, podría causar interferencia dañina a las radio comunicaciones. De cualquier manera, no existe garantía de que no ocurrirá interferencia en una instalación particular. Si este equipo causara interferencia dañina a la recepción de radio o televisión, lo cual puede ser determinado al encenderlo y apagarlo, se alienta al usuario a intentar corregir la interferencia con una o más de las siguientes medidas.

- Reoriente o reubique la antena receptora.
- Incremente la distancia entre el equipo y el receptor.
- Conecte el equipo a un enchufe en un circuito diferente al del receptor.
- Consulte con un distribuidor o un técnico experimentado en radio/TV para recibir ayuda.

Este equipo se encuentra en conformidad con la parte 15 y 18 de las Reglas FCC. El funcionamiento está sujeto a las dos condiciones siguientes:

- 1) este dispositivo puede no causar interferencia dañina; y
- 2) este dispositivo debe aceptar cualquier interferencia, incluyendo aquella que pueda causar el funcionamiento no deseado del dispositivo.

Cualquier cambio o modificación en la construcción de este dispositivo, que no esté aprobado expresamente por la parte responsable de su cumplimiento, podría anular la autoridad del usuario de operar el equipo.

Declaración de Exposición a Radiación FCC RF

Este equipo se encuentra en conformidad con los límites de exposición a radiación FCC enunciados para un ambiente no controlado. Este transmisor no debe ser ubicado u operado en conjunto con cualquier otra antena o transmisor.

Este equipo debe ser instalado y operado con una distancia mínima de 20 cm (7.8 pulgadas) entre la antena y su cuerpo. Los usuarios deben seguir las instrucciones operativas específicas para satisfacer el cumplimiento de exposición RF.

Declaración de Industria Canadiense (Para el módulo transmisor contenido en este producto)

Este dispositivo cumple con la exención de licencia aplicable de la industria de Canadá RSSs. El funcionamiento está sujeto a las dos condiciones siguientes:

- 1) Este dispositivo puede no causar interferencia dañina; y
- 2) Este dispositivo debe aceptar cualquier interferencia, incluyendo aquella que pueda causar el funcionamiento no deseado del dispositivo.

Industria canadiense ICES-001 Etiqueta de Conformidad: CAN ICES-1/NMB-1

Declaración de Exposición a Radiación IC

Este equipo cumple con los límites de exposición a radiación IC establecidos para un entorno no controlado.

Este equipo debe ser instalado y operado con una distancia mínima de 20 cm (7.8 pulgadas) entre la antena y su cuerpo.

NOTA

- El fabricante no se hace responsable por cualquier interferencia de radio o TV causada por una modificación no autorizada a este equipo. Dichas modificaciones podrían anular la autoridad del usuario para operar el equipo.

Especificaciones de Módulo LAN Inalámbrico	
Modelo	LCW-003
Rango de Frecuencia	2412 MHz - 2462 MHz
Potencia de Salida (Max)	IEEE 802.11b: 17.56 dBm IEEE 802.11g: 25.53 dBm IEEE 802.11n: 25.29 dBm

Información de Anuncio de Programas de Código Abierto

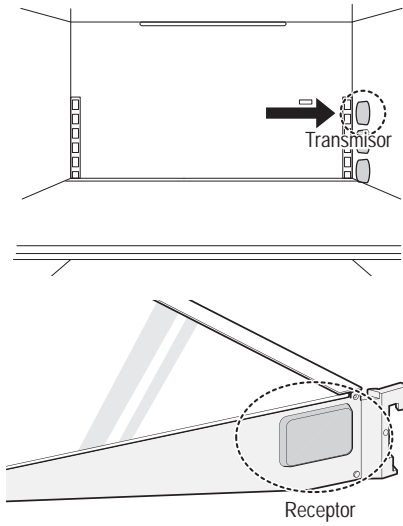
Para obtener el código fuente bajo GPL, LGPL, MPL y otras licencias de fuente abierta, que esté contenido en este producto, por favor visite <http://opensource.signaturekitchensuite.com>

Adicional al código fuente, todos los términos de referencia de la licencia, renuncias de garantía y notificaciones de derechos de autor están disponibles para descarga.

SIGNATURE KITCHEN SUITE también le puede proveer el código de fuente abierta en un CD por un cargo que cubra el costo de distribución (como el costo de los medios, envío, y manejo) al requerirlo mediante correo electrónico a opensource@signaturekitchensuite.com

Esta oferta es válida por un período de tres años después de nuestro último envío de este producto. Esta oferta es válida para cualquier que haya recibido esta información.

Especificaciones de Transferencia de Energía Inalámbrica	
Frecuencia	330 kHz ~ 370 kHz
Voltaje Nominal	DC 12V
Alimentación suministrada	Menor que, e igual a, 3W por estante.
Modo de transmisión	Inducción electromagnética



NOTA

- Objetos extraños y suciedad entre el lado derecho del estante y la pared del gabinete externo podrían prevenir que la luz del estante encienda.
- La luz del estante se enciende cuando la puerta se abre.
- La luz del estante se apaga después de siete minutos o cuando la puerta se cierra.

MANTENIMIENTO

Limpieza

ADVERTENCIA

- Utilice un limpiador no inflamable. No hacerlo podría resultar en un incendio, explosión, o incluso la muerte.

PRECAUCIÓN

- No use un trapo abrasivo o esponja mientras limpia el interior y exterior del congelador.
- No coloque su mano en la superficie inferior del congelador cuando abra y cierre las puertas.

Consejos Generales de Limpieza

- El congelador se descongela automáticamente; sin embargo, límpiélo una vez al mes para prevenir olores.
- Limpie derrames inmediatamente.
- Desconecte el congelador o la corriente eléctrica previo a la limpieza.
- Remueva todas las partes removibles, como los estantes.
- Use una esponja limpia o un paño suave y un detergente ligero con agua tibia. No utilice abrasivos o limpiadores ásperos.
- Lave a mano, enjuague y seque todas las superficies intensivamente.
- Al limpiar el interior o exterior del electrodoméstico, no utilice un cepillo duro, pasta dental, o materiales inflamables. No utilice agentes de limpieza que contengan sustancias inflamables.
 - Esto podría causar decoloración o daños al electrodoméstico.
 - Sustancias inflamables: alcohol (etanol, metanol, alcohol isopropílico, alcohol isobutílico, etc.), disolventes, cloro, benceno, líquidos inflamables, abrasivos, etc.

Paredes Interiores

- Permita que el congelador se caliente para que el paño no se pegue.

Como ayuda para remover olores, lave el interior del congelador con una mezcla de bicarbonato de sodio y agua tibia. Mezcle 2 cucharadas de bicarbonato de sodio con 1 cuarto de galón de agua (26 g de bicarbonato en 1 litro de agua). Asegúrese de que el bicarbonato de sodio esté completamente disuelto para que este no raye las superficies del congelador.

Revestimientos de Puertas y Juntas


Utilice una esponja limpia o un paño suave y un detergente diluido en agua tibia. No utilice ceras de limpieza, detergentes concentrados, cloros, o limpiadores que contengan petróleo, en las partes plásticas del congelador.

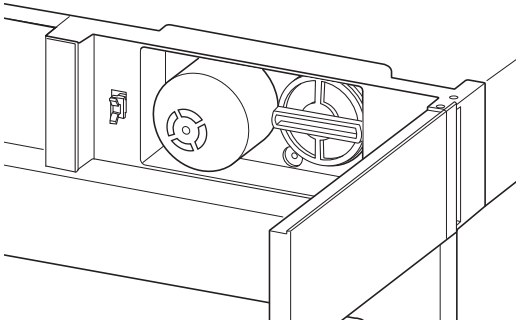
Partes Plásticas (Cubiertas y Paneles)

Use una esponja limpia o un paño suave y un detergente ligero con agua tibia. No utilice limpiadores de vidrio, limpiadores abrasivos o líquidos inflamables. Estos pueden rayar o dañar el material.

Reemplazo del Filtro de Agua

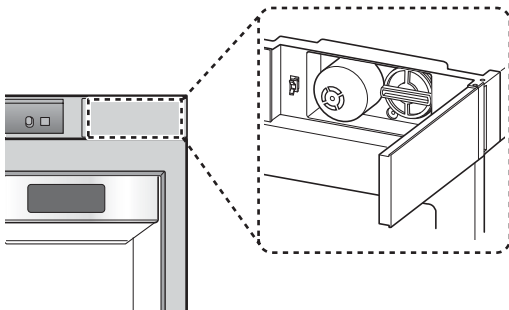
Reemplace el Filtro de Agua

- Aproximadamente cada seis meses.
- Cuando el icono **Replace Filter** (Reemplace Filtro)  se encienda.
- Cuando la producción de la máquina de hielo disminuye.

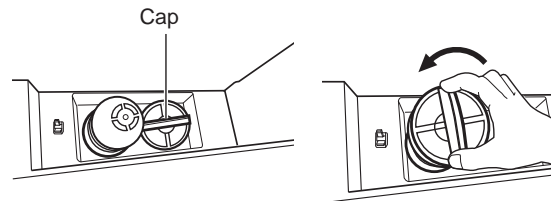


1 Retire el filtro de agua viejo

Presione para abrir la cubierta del filtro de agua en la parte superior derecha del congelador.

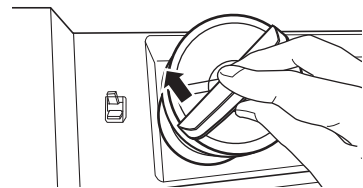


- 2 Coloque la tapa en el filtro de agua, luego sujétela y gírela hacia la izquierda para remover el filtro de agua de la cabeza del filtro.

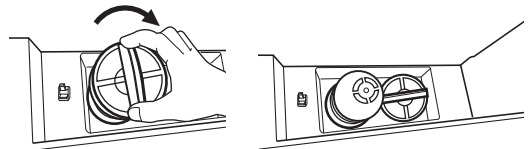


3 Reemplace con un nuevo filtro de agua.

Retire el nuevo filtro de agua de su empaque y remueva la cubierta protectora de los anillos. Coloque la tapa en el nuevo filtro de agua, y luego empújelo en el agujero colector hasta que se detenga.



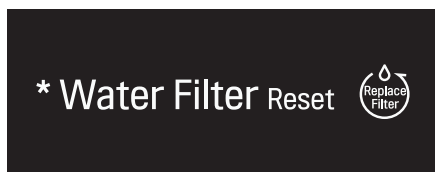
- 4 Sujete y rote la tapa hacia la derecha hasta que se detenga. Reemplace la tapa al lado del filtro de agua.



NOTA

- Reemplazar el filtro de agua causa que una pequeña cantidad de agua (alrededor de 1 oz o 25 cc) se drene.
- Envuelva un paño alrededor del extremo frontal de la cubierta del filtro para detener cualquier fuga de agua. Una vez removido, sujete el filtro de agua en posición vertical a manera de prevenir que el agua remanente se salga.

- 5** Luego de cambiar el filtro, mantenga presionado el botón Water Filter Reset por tres segundos para reiniciar la luz indicadora.



NOTA

Para comprar un filtro de agua de repuesto:

- Visite a su proveedor o distribuidor local
- Web : Encuentre Partes y Accesorios en la sección de soporte de signaturekitchensuite.com
- Llame : (EE. UU.) 1-855-790-6655

Para mayor asistencia, llame al:

(EE. UU.) 1-855-790-6655

- Utilice Cartucho de Reemplazo:
LT1000P-S (ADQ74793506)

Hoja de Datos de Rendimiento

Modelo: LT1000P-S

NCódigo del Nombre Comercial del Sistema : MDJ64844601

La concentración de las sustancias indicadas en el agua ingresando al sistema ha sido reducida a una concentración menor o igual al límite permisible para el agua saliendo del sistema, como ha sido especificado en NSF/ANSI Estándar 42, Estándar 53 y Estándar 401.



Sistema probado y certificado por NSF International según los estándares NSF/ANSI 42, 53 y 401 para la reducción de las siguientes sustancias.

Reducción de sustancia	Objetivo Influyente Medio	Concentración Objetivo especificada por NSF	% Reducción Promedio	Concentración de Agua del Producto Promedio	Concentración Máxima Permissible de Agua del Producto	Requisitos de Reducción NSF
Olor y Sabor a Cloro	2.0 µg/L	2.0 µg/L ± 10%	>97.5%	0.050 µg/L	N/A	≥ 50.00%
Partícula Nominal Clase I, , ≥ 0.5 a < 1.0 µm	12,000,000 pts/mL	Al menos 10,000 partículas/mL	99.80%	24,000 pts/ml	N/A	≥ 85.00%
Asbesto	180 MFL	De 10 ⁷ a 10 ⁸ MFL; fibras mayores a 10 µg en longitud.	>99.00%	< 1 MFL	N/A	≥ 99.00%
Atracina	8.5 µg/L	9.0 µg/L ± 10%	>94.10%	0.500 µg/L	3.0 µg/L	N/A
Benceno	15.0 µg/L	15.0 µg/L ± 10%	>96.60%	0.510 µg/L	5.0 µg/L	N/A
Carbofurano	74.0 µg/L	80.0 µg/L ± 10%	98.30%	1.258 µg/L	40 µg/L	N/A
Lindano	1.9 µg/L	2.0 µg/L ± 10%	>99.00%	0.019 µg/L	0.2 µg/L	N/A
P-Diclorobenceno	230.0 µg/L	225.0 µg/L ± 10%	>99.80%	0.460 µg/L	75.0 µg/L	N/A
2,4-D	210.0 µg/L	210.0 µg/L ± 10%	>99.90%	0.210 µg/L	70.0 µg/L	N/A
Plomo pH @6.5	140.0 µg/L	150.0 µg/L ± 10%	99.60%	0.560 µg/L	10.0 µg/L	N/A
Plomo pH @8.5	150.0 µg/L	150.0 µg/L ± 10%	>99.70%	<0.500 µg/L	10.0 µg/L	N/A
Mercurio @ pH6.5	5.9 µg/L	6.0 µg/L ± 10%	91.00%	0.531 µg/L	2.0 µg/L	N/A

(Continúa en la siguiente página)

Reducción de sustancia	Objetivo Influyente Medio	Concentración Objetivo especificada por NSF	% Reducción Promedio	Concentración de Agua del Producto Promedio	Concentración Máxima Permissible de Agua del Producto	Requisitos de Reducción NSF
Mercurio @ pH8.5	5.6 µg/L	6.0 µg/L ± 10%	92.5%	0.420 µg/L	2.0 µg/L	N/A
Quistes*	100,000 quistes/L	Mínimo de 50,000 quistes/L	>99.99%	10 quistes/L	N/A	≥ 99.95%
Atenolol	240 ng/L	200 ± 40% ng/L	> 95.50%	10.80 ng/L	30 ng/L	N/A
Carbamazepina	1600 ng/L	1400 ± 40% ng/L	98.40%	25.60 ng/L	200 ng/L	N/A
DEET	1600 ng/L	1400 ± 40% ng/L	97.10%	46.40 ng/L	200 ng/L	N/A
Trimetoprima	170 ng/L	140 ± 40% ng/L	>96.80%	5.44 ng/L	20 ng/L	N/A
Linuron	160 ng/L	140 ± 40% ng/L	>96.60%	5.44 ng/L	20 ng/L	N/A
Fenitoína	200 ng/L	200 ± 40% ng/L	>94.80%	10.40 ng/L	30 ng/L	N/A
Ibuprofeno	400 ng/L	400 ± 40% ng/L	>94.50%	22.00 ng/L	60 ng/L	N/A
Naproxeno	140 ng/L	140 ± 40% ng/L	>96.10%	5.46 ng/L	20 ng/L	N/A
Estrona	120 ng/L	140 ± 40% ng/L	>96.10%	4.68 ng/L	20 ng/L	N/A
Bisfenol A	2000 ng/L	2000 ± 40% ng/L	>98.90%	22.00 ng/L	300 ng/L	N/A
Nonilfenol	1600 ng/L	1400 ± 40% ng/L	>97.10%	46.40 ng/L	200 ng/L	N/A

• Basado en el uso de ooquistes de *Cryptosporidium parvum*.

Lineamientos de Aplicación / Parámetros de Suministro de Agua	
Flujo de Servicio	0.5 gpm (1.89 lpm)
Suministro de Agua	Pozo Comunitario o Privado - Agua Potable
Presión de Agua	20 – 120 psi (138 – 827 kPa)
Temperatura del agua	33 °F – 100 °F (0.6 °C – 37.8 °C)
Capacidad	200 galones (757 litros)

Es indispensable que se realicen la instalación recomendada por el fabricante, el mantenimiento y los requerimientos de remplazo del filtro para que el producto funcione adecuadamente.

NOTA

- Aunque se llevaron a cabo las pruebas en condiciones estándar de laboratorio, el desempeño real podría variar.

Cartucho de Reemplazo: **LT1000P-S**

Para filtros de reemplazo, visite a su proveedor o distribuidor local, o busque "filtros de agua" en el sitio web signaturekitchensuite.com

Para asistencia adicional, el Centro de Información al Cliente SIGNATURE KITCHEN SUITE está abierto 24 horas al día/7 días a la semana.

EE.UU: 1-855-790-6655

NSF es una marca registrada de NSF

ADVERTENCIA

- Conecte únicamente a un suministro de agua potable.

ADVERTENCIA

Para reducir el riesgo asociado con asfixia:

- No permita que los niños menores de 3 años tengan acceso a las piezas pequeñas durante la instalación de este producto.

Para reducir el riesgo asociado con la ingesta de contaminantes:

- No lo utilice con agua microbiológicamente insegura o de calidad desconocida sin la desinfección adecuada antes o después del sistema. Sistemas certificados para reducción de quistes pueden ser utilizados en agua desinfectada que pueda contener quistes filtrables. Establecimiento EPA # 070595-MEX-001

PRECAUCIÓN

Para reducir el riesgo asociado con daños a la propiedad debido a fugas de agua:

- Lea y siga las Instrucciones de Uso previo a la instalación y el uso de este sistema.
- La instalación y uso DEBEN cumplir con toda la normativa de plomería estatal y local.
- No lleve a cabo la instalación si la presión del agua excede los 120 psi (827 kPa). Si la presión de su agua excede los 80 psi, debe instalar una válvula limitante de presión. Contacte a un plomero si no sabe con certeza cómo verificar la presión del agua.
- No lleve a cabo la instalación donde puedan ocurrir condiciones de golpe de ariete. Si existen condiciones de golpe de ariete, debe instalar un protector para éste. Contacte a un plomero si no sabe con certeza cómo verificar ésta condición.
- No lleve a cabo la instalación en líneas de suministro de agua caliente. La temperatura máxima de operación de este sistema de filtrado es de 100 °F (37.8 °C).
- Evite la congelación del filtro. Drene el filtro cuando la temperatura caiga debajo de 40 °F (4.4 °C).
- El cartucho de filtro desechable DEBE sustituirse cada 6 meses, con la capacidad nominal o si se observa una significativa reducción del caudal.
- Para proteger de la congelación, remueva el cartucho del filtro cuando se prevea que las temperaturas puedan ser inferiores a 33° F.
- No instale sistemas en áreas donde la temperatura ambiente pueda superar los 110° F (43.3° C).
- Donde se instale un dispositivo de prevención de reflujo en un sistema de agua, deberá instalarse un dispositivo para controlar la presión debido a la expansión térmica.
- Asegúrese de que todas las tuberías y conexiones estén correctamente instaladas y sin fugas.

SOLUCIÓN DE PROBLEMAS

Preguntas frecuentes

P: ¿Cuál es la mejor configuración de temperatura para mi congelador?

R: La configuración predeterminada para el congelador es de 0° Fahrenheit (-18° Celsius). Ajuste esta configuración según sus necesidades para mantener los alimentos a la temperatura deseada. Los helados deben mantenerse firmes y los cubos de hielo no deben derretirse en el congelador. Para cambiar de Fahrenheit a Celsius en la pantalla, primero presione el botón Freezer para activar la pantalla y luego mantenga presionados los botones Freezer y Smart Grid hasta que escuche un tono y cambie la configuración en la pantalla.

P: ¿Cómo establezco la temperatura del congelador?

R: Presione continuamente el botón Freezer en el panel de control hasta que aparezca la temperatura deseada. Los números cambiarán de mayor a menor y luego volverán al mayor de nuevo al presionar continuamente.

P: ¿Por qué escucho un zumbido periódicamente desde mi congelador?

R: Esto podría pasar si no tiene un suministro de agua conectado al congelador y la máquina de hielo está encendida. Si no tiene un suministro de agua conectado al congelador debería apagar la máquina de hielo en el panel de control.

P: ¿Por qué el recipiente del dispensador de hielo se ve encorvado?

R: Esta es una parte normal del ciclo del dispensador de hielo. La bandeja del dispensador de hielo puede parecer nivelada o con una leve inclinación. El cambio de posición es para asistir el proceso de congelación.

P: Mi congelador está encendido y los controles están funcionando, pero no está enfriando y la pantalla muestra "OF" (Vea abajo). ¿Qué está mal?

R: El congelador está en Modo de Exhibición. El Modo de Exhibición deshabilita todo el enfriamiento para conservar energía mientras el electrodoméstico se exhibe en una tienda. Para restaurar la operación normal, primero presione el botón Freezer para activar la pantalla y luego mantenga presionados los botones Freezer y Water Filter Reset hasta que escuche un tono y aparezca la configuración de temperatura en la pantalla. Utilice el mismo procedimiento para regresar el congelador al Modo de Exhibición, si así lo desea.

The logo consists of the letters 'O' and 'F' in a stylized, white, outlined font, positioned centrally on a black rectangular background.

Freezer

Antes de llamar al servicio técnico

Revise esta sección antes de llamar para servicio; hacerlo le ahorrará tiempo y dinero.

Enfriamiento

Problema	Causa posible	Soluciones
Las secciones del Refrigerador y Congelador no están enfriando.	El control está en la posición APAGADO (algunos modelos).	Configure el control en la posición de ENCENDIDO. Consulte la Configuración en la sección Controles para los ajustes apropiados de temperatura.
	El electrodoméstico está en Modo de Exhibición.	El Modo de Exhibición permite que las luces y la pantalla de control operen normalmente mientras, a la vez, deshabilita el enfriamiento para ahorrar energía mientras el electrodoméstico está en la sala de exhibición. Vea la sección de Preguntas Frecuentes (FAQs) de este manual para obtener instrucciones sobre cómo deshabilitar el Modo de Exhibición.
	El electrodoméstico está en el ciclo de descongelado.	Durante el ciclo de descongelado, la temperatura de cada compartimento puede incrementarse levemente. Espere 30 minutos y confirme que la temperatura apropiada haya sido restaurada una vez que el ciclo de descongelado haya sido completado.
	El electrodoméstico fue instalado recientemente.	Puede tomar hasta 24 horas para que cada compartimento alcance la temperatura deseada.
	El electrodoméstico fue reubicado recientemente.	Si el electrodoméstico estaba almacenado o reclinado por un largo período de tiempo, es necesario que éste se mantenga en posición vertical por 24 horas previo a conectarlo a la corriente eléctrica.
El sistema de enfriamiento se ejecuta mucho.	El electrodoméstico está reemplazando un modelo anterior.	Los electrodomésticos modernos requieren más tiempo de operación pero usan menos energía debido a tecnología más eficiente.
	El electrodoméstico fue conectado recientemente, o su fuente de energía fue restaurada.	Los electrodomésticos tomarán hasta 24 horas para enfriar completamente.
	La puerta es abierta frecuentemente o una gran cantidad de alimentos / alimentos calientes fueron añadidos.	Agregar alimentos y abrir la puerta calienta el congelador, requiriendo que el compresor se ejecute por más tiempo a manera de volver a enfriarlo. A manera de conservar energía, intente tomar todo lo que necesita del congelador una sola vez, mantenga los alimentos organizados a manera de que sea fácil encontrarlos, y cierre la puerta en cuanto retire un artículo. (Consulte la Guía de Almacenaje de Alimentos.)
	Las puertas no están completamente cerradas.	Cierre las puertas firmemente. Si éstas no cierran completamente, vea la sección "Puertas no cierran o abren completamente".
	El congelador está instalado en una ubicación caliente.	El compresor se ejecutará por más tiempo bajo condiciones templadas. A una temperatura ambiente normal (70 °F) puede esperar que su compresor se ejecute alrededor del 40 % al 80 % del tiempo. Bajo condiciones más calientes, éste se ejecutará más a menudo. El congelador no debe ser operado a una temperatura superior a 110 °F.

Enfriamiento

Problema	Causa posible	Soluciones
Acumulación de humedad interior.	Las puertas están abiertas constantemente o por períodos largos de tiempo.	Cuando las puertas están abiertas constantemente o por períodos largos de tiempo, el aire caliente y húmedo entra al compartimento. Esto eleva la temperatura y el nivel de humedad dentro del compartimento. Para disminuir el efecto, reduzca la frecuencia y duración de apertura de la puerta.
	Las puertas no están cerradas correctamente.	Vea la sección Puertas no cierran o abren completamente.
	El clima es húmedo.	El clima húmedo permite que humedad adicional ingrese a los compartimentos cuando las puertas se abren, provocando condensación o escarcha. Mantener un nivel de humedad razonable en el hogar ayudará a controlar la cantidad de humedad que pueda ingresar a los compartimentos.
	Ciclo de descongelado recientemente completado.	Durante el ciclo de descongelado, la temperatura de cada compartimento puede incrementar levemente y puede que se forme condensación en la pared trasera. Espere 30 minutos y confirme que la temperatura adecuada se ha restaurado una vez el ciclo de descongelado ha sido completado.
	Los alimentos no están empacados correctamente.	Los alimentos almacenados, descubiertos o desenvueltos, y contenedores húmedos pueden llegar a generar acumulación de humedad dentro de cada compartimento. Seque todos los contenedores y almacene los alimentos en empaques sellados para prevenir condensación y escarcha.
El congelador está demasiado caliente.	El congelador fue instalado recientemente.	Puede tomar hasta 24 horas para que cada compartimento alcance la temperatura deseada.
	Los respiraderos están bloqueados.	Ubique las ranuras de ventilación utilizando su mano para sentir el flujo de aire y remueva los empaques que bloqueen la ventilación y restrinjan el flujo de aire. Reacomode los artículos a manera de permitir el flujo de aire a través del compartimento.

Enfriado/Agua & Hielo

Problema	Causa posible	Soluciones
El congelador está demasiado caliente.	Las puertas están abiertas constantemente o por periodos largos de tiempo.	Cuando las puertas están abiertas constantemente o por periodos largos de tiempo, el aire caliente y húmedo entra al compartimento. Esto eleva la temperatura y el nivel de humedad dentro del compartimento. Para disminuir el efecto, reduzca la frecuencia y duración de apertura de la puerta.
	La unidad está instalada en un lugar caluroso.	El congelador no debe ser operado en temperaturas superiores a 110 °F.
	Se ha agregado una gran cantidad de alimentos o comida caliente al compartimento.	Agregar alimentos hace que el compartimento se caliente, requiriendo así que se ejecute el sistema de enfriamiento. Permitir que los alimentos calientes se enfríen a temperatura ambiente previo a colocarlos en el congelador reducirá este efecto.
	Las puertas no cierran correctamente.	Vea la sección Puertas no cierran o abren completamente en Solución de Problemas de Partes & Características.
	El control de temperatura no ha sido configurado correctamente.	Si la temperatura es muy alta, ajuste el control un incremento a la vez y espere a que la temperatura se estabilice.
	El ciclo de descongelado ha sido completado recientemente.	Durante el ciclo de descongelado, la temperatura del compartimento puede incrementar levemente y puede que se forme condensación en la pared trasera. Espere 30 minutos y confirme que la temperatura adecuada se ha restaurado una vez el ciclo de descongelado ha sido completado.
El congelador está demasiado frío.	Ajustes de control de temperatura incorrectos.	Si la temperatura es muy fría, ajuste el control un incremento a la vez y espere a que la temperatura se estabilice. Consulte el Panel de Control para mayor información.
Se forma escarcha o cristales de hielo en alimentos congelados (dentro de paquete sellado).	La condensación de alimentos con un alto contenido de agua se ha congelado dentro del paquete.	Esto es normal para alimentos con un alto contenido de agua.
	Alimentos se han dejado en el congelador por un largo periodo de tiempo.	No almacene alimentos con un alto contenido de agua en el congelador por un largo periodo de tiempo.
Formación de escarcha o cristales de hielo en alimentos congelados (fuera del empaque).	La puerta es abierta frecuentemente o por periodos prolongados de tiempo.	Cuando las puertas son abiertas frecuentemente o por periodos prolongados de tiempo, aire caliente y húmedo ingresa al compartimento. Esto eleva la temperatura y los niveles de humedad dentro del compartimento. Incrementos en humedad generarán escarcha y condensación. Para disminuir el efecto, reduzca la frecuencia y duración con que se abren las puertas.
	La puerta no cierra correctamente.	Vea la sección de Las puertas no cierran o abren correctamente en la sección de Resolución de problemas.

Hielo & Agua

Problema	Causa posible	Soluciones
El dispensador de hielo no está produciendo suficiente hielo.	La demanda excede la capacidad de almacenamiento de hielo.	El dispensador de hielo producirá aproximadamente 70-184 cubos en un período de 24 horas.
	El suministro de agua principal no está conectado, la válvula no está completamente encendida o la válvula está obstruida.	Conecte el congelador a un suministro de agua fría con presión adecuada y abra la válvula de cierre de agua completamente. Si el problema continúa, puede que sea necesario contactar a un plomero.
	El filtro de agua ha sido agotado.	Se recomienda reemplazar el filtro de agua: Cada seis meses aproximadamente. Cuando se encienda el indicador de filtro de agua. Cuando disminuya la potencia del dispensador de agua. Cuando los cubos de hielo sean más pequeños de lo normal.
	Baja presión de suministro de agua principal.	La presión del agua debe estar entre los 20 y los 120 psi en modelos sin filtro de agua y entre los 40 y 120 psi en modelos con filtro de agua. Si el problema continúa, puede que sea necesario contactar a un plomero.
	Se está usando el Sistema de Filtración de Osmosis Inversa.	Los sistemas de filtración de osmosis inversa pueden reducir la presión de agua por debajo de la cantidad mínima y provocar problemas en el dispensador de hielo. (Consulte la sección Conectando la Línea de Agua.)
	La tubería que conecta el congelador a la válvula de suministro del hogar está retorcida.	La tubería puede retorcerse cuando el congelador es trasladado durante la instalación o limpieza, provocando así una disminución en el flujo de agua. Enderece o repare la línea de suministro de agua y acomodela a manera de prevenir futuros dobleces.
	Las puertas están abiertas constantemente o por períodos largos de tiempo.	Si las puertas de la unidad se abren muy a menudo, el aire del ambiente calentará el congelador y esto prevendrá que la unidad mantenga la temperatura determinada. Puede ayudar disminuir la temperatura del congelador, así como no abrir las puertas muy a menudo.
	Las puertas no están completamente cerradas.	Si las puertas no están cerradas correctamente, la producción de hielo se verá afectada. Para obtener mayor información, vea la sección Las puertas no se cierran completamente o quedan abiertas en la sección Componentes y Características de la Guía de resolución de problemas.
El ajuste de temperatura del congelador es demasiado cálido.	La temperatura recomendada para el compartimento del congelador para una producción normal de hielo es de 0 °F. Si la temperatura del congelador es superior, la producción se verá afectada.	
El dispensador de hielo no está produciendo hielo.	El congelador fue instalado recientemente, o la máquina de hielo fue conectada recientemente.	Puede tomar hasta 24 horas para que cada compartimento alcance la temperatura deseada y para que el dispensador de hielo empiece a producir hielo.
	El dispensador de hielo no está encendido.	Localice el botón Icemaker ON/OFF y confirme que está en la posición de Encendido (On).

Hielo & Agua

Problema	Causa posible	Soluciones
El dispensador de hielo no está produciendo hielo.	El sensor de detección de hielo está obstruido.	Las sustancias desconocidas o escarcha en el sensor detector de hielo pueden interrumpir la producción del mismo. Asegúrese de que el área del sensor esté limpia todo el tiempo para que opere apropiadamente.
	El congelador no está conectado a un suministro de agua o la válvula de cierre del suministro no está abierta.	Conecte el congelador al suministro de agua y abra completamente la válvula de cierre de agua.
	Corte del dispensador de hielo (brazo o sensor) obstruido.	Si su dispensador de hielo está equipado con un brazo de corte de hielo, asegúrese de que el brazo se mueva libremente. Si su dispensador de hielo está equipado con un sensor de corte de hielo, asegúrese de que haya un espacio limpio entre los dos sensores.
	El sistema de filtración de agua de osmosis inversa está conectado a su suministro de agua fría.	Los sistemas de filtración de osmosis inversa pueden reducir la presión de agua por debajo de la cantidad mínima y provocar problemas en el dispensador de hielo. (Consulte la sección Conectando la Línea de Agua.)
El hielo tiene mal sabor u olor.	El suministro de agua contiene minerales como azufre.	Puede ser necesario instalar un filtro de agua para eliminar problemas de sabor y olor. NOTA: En algunos casos, un filtro puede no ayudar. Puede no ser posible remover todo mineral/olor/sabor del suministro de agua.
	El dispensador de hielo fue instalado recientemente.	El hielo que ha sido almacenado por mucho tiempo se encogerá, tornará turbio y podrá desarrollar un sabor a viejo. Tire el hielo viejo y haga un nuevo suministro.
	Los alimentos no han sido almacenados apropiadamente en el compartimento.	Empaque nuevamente los alimentos. Los olores pueden migrar hacia el hielo si los alimentos no son empacados apropiadamente.
	El interior del congelador necesita una limpieza.	Vea la sección de Mantenimiento para mayor información.
	El recipiente de almacenamiento de hielo necesita ser limpiado.	Vacíe y lave el recipiente (deseche cubos viejos). Asegúrese de que el recipiente está completamente seco previo a reinstalarlo.
El dispensador de hielo está produciendo demasiado hielo.	Corte del dispensador de hielo (brazo/sensor) está obstruido.	Vacíe la bandeja de hielo. Si su máquina de hielo está equipada con una palanca de suministro de hielo, asegúrese de que ésta se mueva libremente. Si su máquina de hielo está equipada con un sensor electrónico de suministro de hielo, asegúrese de que el área entre los dos sensores esté libre. Reinstale la bandeja de hielo y espere 24 horas para confirmar la operación apropiada.

Partes y Características

Problema	Causa posible	Soluciones
Las puertas no se cierran correctamente o se quedan abiertas.	Paquetes de alimentos están bloqueando la puerta e impiden que se cierre.	Reorganice los contenedores de alimentos para liberar la puerta y los estantes de la puerta.
	El recipiente de hielo, la tapa del cajón para verduras, las bateas, los estantes, las bandejas de las puertas o las cestas no están en su sitio.	Empuje correctamente hacia adentro las bandejas, la tapa del cajón para verduras, las bateas, los estantes y las cestas en su posición adecuada. Vea la sección Operación para mayor información.
	Las puertas se desmontaron durante la instalación del producto y no se volvieron a colocar correctamente.	Remueva y reemplace las puertas de acuerdo a las instrucciones de instalación.
	El congelador no está correctamente nivelado.	Para nivelar el congelador, vea Alineación de la Puerta en las instrucciones de instalación.
Es difícil abrir la puerta.	Las juntas están sucias o pegajosas.	Limpie las juntas y las superficies que tocan. Aplique una fina capa de cera para electrodomésticos o cera de cocina en las juntas después de limpiarlas.
	La puerta se acaba de cerrar.	Cuando abre la puerta, aire caliente ingresa al congelador. Conforme el aire caliente se enfría, puede crearse un vacío. Si es difícil abrir la puerta, espere un minuto para permitir que la presión de aire se establezca y luego vea si ésta abre más fácilmente.
Las luces no funcionan.	Falla de iluminación interior LED.	La luz del compartimento del congelador es LED para interiores, y un técnico calificado debe realizar el mantenimiento.
El interior del congelador está cubierto con polvo u hollín.	El congelador está ubicado cerca de una fuente de fuego, como una chimenea o candela.	Asegúrese de que el congelador no esté ubicado cerca de una fuente de fuego, como una chimenea o candela.

Ruidos

Problema	Causa posible	Soluciones
Haciendo clic	El control de descongelado hará un "clic" cuando el ciclo de descongelado comience y termine. El control del termostato (o control del refrigerador en algunos modelos) también hará un clic al iniciar o finalizar un ciclo.	Funcionamiento normal
Traqueteo	Los ruidos de traqueteo pueden proceder del flujo del refrigerante, de la tubería de agua en la parte posterior de la unidad o de artículos almacenados encima o alrededor del congelador.	Funcionamiento normal
	El congelador no está sólidamente apoyado en el suelo.	El suelo es poco sólido o irregular, o es necesario ajustar las patas de nivelación. Consulte la sección Nivelación y Alineación de las Puertas.
	El congelador con compresor lineal se sacudió mientras estaba funcionando.	Funcionamiento normal
Zumbido	El motor del ventilador del vaporizador está circulando aire a través del compartimiento del congelador.	Funcionamiento normal
	El ventilador del condensador está forzando el paso de aire a través del condensador.	Funcionamiento normal
Gorgoteo	El refrigerante está fluyendo a través del sistema de enfriamiento.	Funcionamiento normal
Golpeteo	Contracción y expansión de las paredes internas debido a cambios en la temperatura.	Funcionamiento normal
Chisporroteo	El agua cayendo en el calentador de descongelación durante un ciclo de descongelado.	Funcionamiento normal
Vibración	Si la parte trasera o lateral del congelador está tocando un gabinete o pared, algunas de estas vibraciones normales pueden emitir un sonido perceptible.	Para eliminar el ruido, asegúrese de que los laterales y la parte posterior no puedan vibrar contra las paredes o los muebles.
Goteo	Agua cayendo en la batea de drenaje durante el ciclo de descongelado.	Funcionamiento normal
Sonido agudo o de pulsación	Su congelador ha sido diseñado para funcionar de forma más eficiente y así mantener sus artículos alimenticios a la temperatura deseada. El compresor de alta eficiencia podría causar que su nuevo congelador se ejecute por más tiempo que el anterior, pero aún así tiene mayor eficiencia energética que los modelos previos. Mientras el congelador está en funcionamiento, es normal escuchar un sonido agudo o de pulsación.	Funcionamiento normal

Red Wi-Fi

Problema	Causa posible	Soluciones
<p>Su electrodoméstico y teléfono inteligente no están conectados a la red Wi-Fi.</p>	<p>La contraseña de la red Wi-Fi a la que está intentando conectarse es incorrecta.</p>	<ul style="list-style-type: none"> Encuentre la red Wi-Fi a la que su teléfono inteligente está conectado y remuévala, luego registre su electrodoméstico en la aplicación SIGNATURE KITCHEN SUITE.
	<p>Los Datos Móviles para su teléfono inteligente están activados.</p>	<ul style="list-style-type: none"> Apague los Datos Móviles en su teléfono inteligente y registre el electrodoméstico utilizando la red Wi-Fi.
	<p>El nombre de la red inalámbrica (SSID) se ha configurado incorrectamente.</p>	<ul style="list-style-type: none"> El nombre de la red inalámbrica (SSID) debe ser una combinación de letras y números. (No utilice símbolos especiales)
	<p>La frecuencia del enrutador no es de 2.4 GHz.</p>	<ul style="list-style-type: none"> Sólo se admite una frecuencia de enrutador de 2.4 GHz. Configure el enrutador inalámbrico a 2.4 GHz y conecte el electrodoméstico a éste. Para verificar la frecuencia del enrutador, consulte con su proveedor de servicios de internet o con el fabricante del enrutador.
	<p>La distancia entre el enrutador y el electrodoméstico es muy grande.</p>	<ul style="list-style-type: none"> Si la distancia entre el electrodoméstico y el enrutador inalámbrico es muy grande, puede que la señal sea débil y que no sea posible configurar la conexión correctamente. Acerque el enrutador al electrodoméstico.

GARANTÍA LIMITADA

PARA EE. UU.

En caso de que su SIGNATURE KITCHEN SUITE ("Producto") presente alguna falla por defectos de materiales o de fabricación bajo uso apropiado y normal durante el período de garantía establecido más abajo, el mismo será reparado o reemplazado por SIGNATURE KITCHEN SUITE, a su opción. Esta garantía limitada es válida únicamente para el comprador final original del producto, y únicamente cuando el producto ha sido comprado y utilizado dentro de los Estados Unidos, incluidos los territorios norteamericanos.

PERÍODO DE GARANTÍA			
Refrigerador/ Congelador	Sistema Sellado (Condensador, Filtro desecante, Tubo Conector y Evaporador)	Compresor	
		Tres (3) años a partir de la fecha original de compra	Cinco (5) años a partir de la fecha original de compra
Piezas y mano de obra (solo piezas internas/ funcionales)	Piezas y mano de obra	Piezas y mano de obra	

- Los productos y las piezas de repuesto están garantizados durante el tiempo restante del período original de garantía o noventa (90) días, lo que resulte mayor.
- Los productos y las piezas de repuesto pueden ser nuevos, reparados, reacondicionados, o reconstruidos por la fábrica.
- Es necesario presentar prueba de la compra minorista especificando el modelo del producto y la fecha de compra para obtener el servicio de garantía bajo esta garantía limitada.

Salvo lo prohibido por la ley, toda garantía de comercialización o idoneidad implícita, para un propósito particular en el producto, está limitada a la duración de la garantía arriba expresada. Bajo ninguna circunstancia deberá SIGNATURE KITCHEN SUITE o sus distribuidores/representantes ser responsable por cualquier daño indirecto, incidental, consecuente, especial, o punitivo, lo cual incluye pero no se limita a, pérdida de fondos del comercio, ganancias perdidas, interrupción del trabajo, deterioro de otros bienes, costo de remover y reinstalar el producto, pérdida de uso, o cualquier otro daño ya sea basado en contrato, perjuicio, u otros. La responsabilidad total de SIGNATURE KITCHEN SUITE, en caso exista, no excederá el precio que usted pagó por adquirir el producto.

Algunos estados no permiten la exclusión o limitación de daños incidentales o emergentes, o limitaciones a la duración de la garantía implícita, por lo que la exclusión o limitación anteriormente mencionada podrían no corresponder en su caso. Esta garantía limitada le otorga derechos legales específicos y es posible que usted cuente con otros derechos que varían según el estado.

ESTA GARANTÍA LIMITADA NO CUBRE LO SIGUIENTE:

- Viajes del servicio técnico para entregar, buscar o instalar el producto, instruir al cliente sobre la operación del mismo, corregir el cableado o las reparaciones/instalaciones no autorizadas.
- Daño o fallo del producto al operar durante fallas e interrupciones del suministro eléctrico, o resultado de un servicio eléctrico inadecuado.
- Daños o fallas causadas por tuberías de agua rotas o con fugas, tuberías de agua congeladas, líneas de desagüe restringidas, suministro de agua inadecuado o interrumpido, o suministro de aire inadecuado.
- Daños resultantes de operar el producto en una atmósfera corrosiva o contraria a las instrucciones detalladas en el manual del propietario del producto.

- Daños o fallos del producto causados por accidentes, pestes y alimañas, rayos, viento, incendio, inundaciones, hechos de fuerza mayor, o cualquier otra causa fuera del control de SIGNATURE KITCHEN SUITE.
- Daños o fallos causados por modificaciones o alteraciones no autorizadas, o si se usa para otro fin que no sea el previsto.
- Daños o fallos resultantes de mal uso, abuso, instalación, reparación o mantenimiento incorrectos. Una reparación incorrecta incluye el uso de piezas no autorizadas, aprobadas o especificadas por SIGNATURE KITCHEN SUITE. La instalación o el mantenimiento inadecuado incluye aquellos contrarios a lo especificado en el manual del usuario del producto o en el manual de instalación.
- Daños o fallos causados por corriente o voltaje eléctrico incorrecto, o por códigos de fontanería.
- Daños o fallos causados por el transporte y el manejo, incluye rayas, muescas, astillados y/u otros daños al acabado del producto, a menos que tales daños se informen dentro del plazo de una (1) semana de la entrega.
- Daños o artículos faltantes a productos comprados con descuento, con la caja abierta o que hayan estado en exhibición.
- Productos reacondicionados o cualquier producto vendido con los avisos "En el estado actual", "En el sitio actual", "Con todos sus defectos" o similares.
- Productos cuyos números de serie originales hayan sido retirados, alterados o no se puedan determinar fácilmente.
- Aumentos en los costos de los servicios públicos y otros gastos adicionales de dichos servicios.
- Cualquier ruido asociado con la operación normal.
- Uso de accesorios (Ej, filtros de agua, etc.), componentes, o productos de limpieza consumibles que no estén autorizados por SIGNATURE KITCHEN SUITE.
- Reemplazo de focos, filtros o cualquier parte consumible.
- Cuando el producto se use de otra forma que no sea uso doméstico usual y normal (p. ej., uso comercial o industrial, en oficinas e instalaciones recreativas o vehículos) o uso contrario a las instrucciones detalladas en el manual del propietario del producto.
- Costos asociados con el retiro y la reinstalación de su producto para realizar reparaciones.
- Estantes, bandejas de puerta, cajones, manijas y accesorios, a excepción de las partes internas/funcionales cubiertas bajo esta garantía limitada.

El costo de la reparación o el reemplazo en estas circunstancias excluidas estará a cargo del consumidor.

PARA OBTENER SERVICIO EN GARANTÍA E INFORMACIÓN ADICIONAL

Llame al 1-855-790-6655 y seleccione la opción apropiada desde el menú.

O visite nuestro sitio web en <http://www.signaturekitchensuite.com>

O por correo: SIGNATURE KITCHEN SUITE Customer Service P.O. Box 240007 Huntsville, AL 35813 ATTN: CIC

MEMORÁNDUM

MEMORÁNDUM

MEMORÁNDUM



Customer Information Center

For inquiries or comments, call:

1-855-790-6655 USA, Consumer User