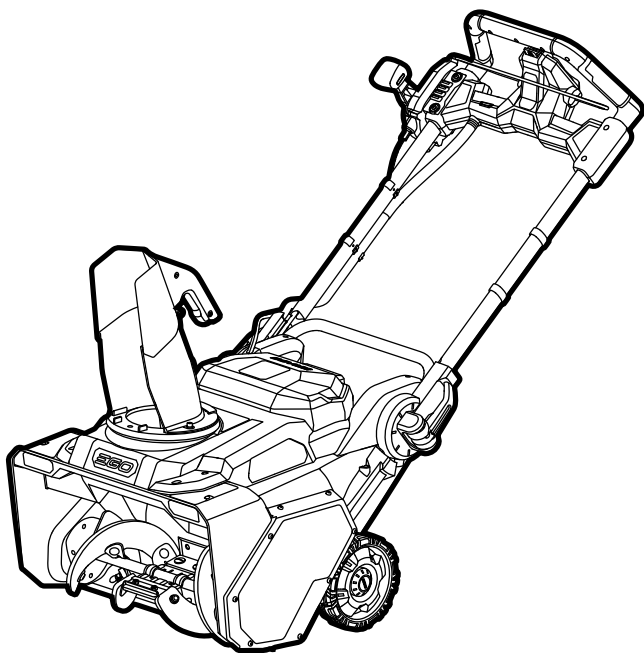


EGO™

POWER⁺ SNOW BLOWER



OPERATOR'S MANUAL

56-VOLT LITHIUM-ION CORDLESS SNOW BLOWER

Français p. 39

Español p. 83

MODEL NUMBER SNT2120AP/SNT2120AP-FC

⚠ WARNING: To reduce the risk of injury, the user must read and understand the Operator's Manual before using this product. Save these instructions for future reference.

TABLE OF CONTENTS

Safety Symbols	4
Safety Instructions.....	5-6
Safe Operation Practices for Walk-behind Snow Blower.....	6-10
Introduction	11
Specifications	11
Accessories	12
Description	13-14
Assembly	15-17
Operation	18-26
Maintenance	27-33
Troubleshooting.....	34-35
Warranty	36-37

READ ALL INSTRUCTIONS!



**READ & UNDERSTAND
OPERATOR'S MANUAL**

⚠ WARNING: Some dust created by power sanding, sawing, grinding, drilling and other construction activities contains chemicals known to the state of California to cause cancer, birth defects or other reproductive harm. Some examples of these chemicals are:

- Lead from lead-based paints
- Crystalline silica from bricks and cement and other masonry products, and
- Arsenic and chromium from chemically-treated lumber.

Your risk from these exposures varies, depending on how often you do this type of work. To reduce your exposure to these chemicals: work in a well ventilated area, and work with approved safety equipment, such as those dust masks that are specially designed to filter out microscopic particles.

SAFETY SYMBOLS

The purpose of safety symbols is to attract your attention to possible dangers. The safety symbols and the explanations with them deserve your careful attention and understanding. The symbol warnings do not, by themselves, eliminate any danger. The instructions and warnings they give are no substitutes for proper accident prevention measures.

⚠ WARNING: Be sure to read and understand all safety instructions in this Operator's Manual, including all safety alert symbols such as "**DANGER**," "**WARNING**," and "**CAUTION**" before using this tool. Failure to follow all instructions listed below may result in electric shock, fire, and/or serious personal injury.

SYMBOL MEANING

⚠ SAFETY ALERT SYMBOL: Indicates **DANGER**, **WARNING**, or **CAUTION**. May be used in conjunction with other symbols or pictographs.



⚠ WARNING: The operation of any power tools can result in foreign objects being thrown into your eyes, which can result in severe eye damage. Before beginning power tool operation, always wear safety goggles or safety glasses with side shields and a full face shield when needed. We recommend a Wide Vision Safety Mask for use over eyeglasses or standard safety glasses with side shields. Always use eye protection which is marked to comply with ANSI Z87.1.

SAFETY INSTRUCTIONS

This page depicts and describes safety symbols that may appear on this product. Read, understand, and follow all instructions on the machine before attempting to assemble and operate.

	Safety Alert	Indicates a potential personal injury hazard.
	Eye Protection	Always wear safety goggles or safety glasses with side shields and a full face shield when operating this product.
	Read & Understand Operator's Manual	To reduce the risk of injury, user must read and understand operator's manual before using this product.
	DANGER — Keep Hands Away from the Impeller	Do not use hands to unclog the chute.
	Keep Feet Out of Impeller	Keep feet away from rotating impeller
	Recycle Symbols	This product uses Lithium-ion (Li-ion) batteries. Local, state, or federal laws may prohibit disposal of batteries in ordinary trash. Consult your local waste authority for information regarding available recycling and/or disposal options.
IPX4	Ingress Protection Degree	Protection from splashing water
V	Volt	Voltage
≡	Direct Current	Type or a characteristic of current
cm	Centimeter	Length or size
in.	Inch	Length or size

m	Meter	Length or size
Ft.	Feet	Length or size
kg	Kilogram	Weight
lbs	Pound	Weight

⚠ WARNING: To ensure safety and reliability, all repairs should be performed by a qualified service technician.

SAFE OPERATION PRACTICES FOR WALK-BEHIND SNOW BLOWER

⚠ WARNING: This snow blower is capable of amputating hands and feet and throwing objects. Failure to observe the following safety instructions could result in serious injury.

FOR ALL SNOW BLOWERS

- Do not use on graveled surface.
- Keep Children Away – All visitors should be kept a safe distance from work area.
- Dress Properly – Do not wear loose clothing or jewelry. They can be caught in moving parts.
- Wear rubber boots when operating the snow blower.
- Keep hands away from moving parts.
- Keep guards in place and in working order.
- Don't Force Snow Blower – It will perform better and safer at the rate for which it was designed.
- Don't Overreach – Keep proper footing and balance at all times.
- If the snow blower strikes a foreign object, follow these steps:
 - 1) Stop snow blower. Release the switch.
 - 2) Remove the battery pack(s).
 - 3) Inspect for damage.
 - 4) Repair any damage before restarting and operating the snow blower.

- Store Idle Snow Blowers Indoors – When not in use, snow blowers should be stored indoors in dry, locked-up place and out of reach of children.
- Maintain Snow Blowers with Care – Follow instructions for lubricating and changing accessories.

TRAINING

- Read, understand, and follow all instructions on the snow blower and in the manual(s) before operating this unit. Be thoroughly familiar with the controls and the proper use of the snow blower. Know how to stop the snow blower and disengage the controls quickly.
- Never allow children to operate the snow blower. Never allow adults to operate the snow blower without proper instruction.
- Keep the area of operation clear of all persons, particularly small children.
- Exercise caution to avoid slipping or falling, especially when operating the snow blower in reverse.

PREPARATION

- Thoroughly inspect the area where the snow blower is to be used and remove all doormats, sleds, boards, wires, and other foreign objects.
- Do not operate the snow blower without wearing adequate winter garments. Avoid loose-fitting clothing that can get caught in moving parts. Wear footwear that will improve footing on slippery surfaces.
- Never attempt to make any adjustments while the motor is running (except when specifically recommended by manufacturer).
- Always wear safety glasses or eye shields during operation or while performing an adjustment or repair to protect eyes from foreign objects that may be thrown from the snow blower.

OPERATION

- Prevent unintentional starting. Ensure the switch is in the off-position before connecting to battery pack, picking up or carrying the snow blower. Carrying the snow blower with your finger on the switch or energizing snow blower that has the switch on invites accidents. Do not put hands or feet near or under rotating parts. Keep clear of the discharger opening at all times.

- Do not put hands or feet near or under rotating parts. Keep clear of the discharger opening at all times.
- Exercise extreme caution when operating on or crossing gravel drives, walks, or roads. Stay alert for hidden hazards or traffic.
- After striking a foreign object, stop the motor, remove the battery pack(s), thoroughly inspect the snow blower for any damage, and repair the damage before restarting and operating the snow blower.
- If the snow blower should start to vibrate abnormally, stop the motor and check immediately for the cause. Vibration is generally a warning of trouble.
- Stop the motor whenever you leave the operating position, before unclogging the auger assembly housing or discharge chute, and when making any repairs, adjustments or inspections.
- When clearing, repairing, or inspecting the snow blower, stop the motor and make certain the auger assembly and all moving parts have stopped. Remove the battery pack(s) to prevent someone from accidentally starting the motor.
- Exercise extreme caution when operating on slopes.
- Never operate the snow blower without proper guards and other safety protective devices in place and working.
- Never direct the discharge toward people or areas where property damage can occur. Keep children and others away.
- Do not overload the snow blower capacity by attempting to clear snow at too fast a rate.
- Disengage power to the auger assembly when snow blower is transported or not in use.
- Use only attachments and accessories approved by the manufacturer of the snow blower (such as rubber paddles, scraper bar, and drive belt).
- Never operate the snow blower without good visibility or light. Always be sure of your footing, and keep a firm hold on the handles. Walk; never run.
- Do not expose a battery pack or snow blower to fire or excessive temperature. Exposure to fire or temperature above 265°F (130°C) may cause explosion.
- Disconnect the battery pack from the appliance before making any adjustments, changing accessories, or storing appliance. Such preventive safety measures reduce the risk of starting the appliance accidentally.

- Recharge only with the charger specified by the manufacturer. A charger that is suitable for one type of battery pack may create a risk of fire when used with another battery pack.
- Use the snow blower only with specifically designated battery packs. Use of any other battery packs may create a risk of injury and fire.
- When battery pack is not in use, keep it away from other metal objects, like paper clips, coins, keys, nails, screws or other small metal objects, that can make a connection from one terminal to another. Shorting the battery terminals together may cause burns or a fire.
- Under abusive conditions, liquid may be ejected from the battery; avoid contact. If contact accidentally occurs, flush with water. If liquid contacts eyes, additionally seek medical help. Liquid ejected from the battery may cause irritation or burns.
- Do not use a battery pack or appliance that is damaged or modified. Damaged or modified batteries may exhibit unpredictable behavior resulting in fire, explosion or risk of injury.
- Follow all charging instructions and do not charge the battery pack or appliance outside of the temperature range specified in the instructions. Charging improperly or at temperatures outside of the specified range may damage the battery and increase the risk of fire.
- Have servicing performed by a qualified repair person using only identical replacement parts. This will ensure that the safety of the product is maintained.
- Do not modify or attempt to repair the snow blower or the battery pack (as applicable) except as indicated in the instructions for use and care.
- Use only with the battery packs and chargers listed below:

BATTERY PACK	CHARGER
BA1400, BA1400-FC, BA2800, BA2800-FC, BA4200, BA4200-FC, BA1400T, BA1400T-FC, BA2240T, BA2240T-FC, BA2242T, BA2242T-FC, BA2800T, BA2800T-FC, BA4200T, BA4200T-FC, BA5600T, BA5600T-FC, BA6720T, BA6720T-FC	CH2100, CH2100-FC, CH3200, CH3200-FC, CH5500, CH5500-FC, CH2800D, CH2800D-FC, CH7000, CH7000-FC,

NOTICE: For best performance and maximum run time, it is recommended to use two 5.0Ah or higher Ah battery packs.

CLEARING A CLOGGED DISCHARGE CHUTE

Hand contact with the rotating auger assembly inside the discharge chute is the most common cause of injury associated with snow blowers. Never use your hand to clean out the discharge chute.

To clear the chute:

- **SHUT THE MOTOR OFF!**
- Wait 10 seconds to be sure the auger assembly blades have stopping rotating.
- Always use a clean-out tool, not your hands.

MAINTENANCE AND STORAGE

- Check all bolts or fasteners at frequent intervals for proper tightness to be sure the equipment is in safe working condition.
- Always refer to operator's manual for important details if the snow blower is to be stored for an extended period of time.
- Maintain or replace safety and instruction labels, as necessary.
- Run the snow blower a few minutes after blowing snow to prevent freeze-up of the auger assembly.

SAVE THESE INSTRUCTIONS. Refer to them frequently and use them to instruct others who may use this snow blower. If you lend this snow blower to someone else, also lend these instructions to them to prevent misuse of the product and possibly injury.

INTRODUCTION

Congratulations on your selection of the new 56V Lithium-ion powered snow blower. It has been designed, engineered and manufactured to give you the best possible dependability and performance.

Should you experience any problem you cannot easily remedy, please contact EGO customer service center 1-855-EGO-5656.


This manual contains important information on the safe assembly, operation and maintenance of your product. Read it carefully before using the product. Keep this manual handy so you can refer to it at any time.

SERIAL NUMBER _____ DATE OF PURCHASE _____

THE MODEL AND SERIAL NUMBERS WILL BE FOUND ON A LABEL ATTACHED ON AUGER ASSEMBLY HOUSING.

YOU SHOULD RECORD BOTH SERIAL NUMBER AND DATE OF PURCHASE AND KEEP IN A SAFE PLACE FOR FUTURE REFERENCE. SAVE YOUR SALES RECEIPT.

SPECIFICATIONS

Voltage	56V 
Clearing Width	21 in (530 mm)
Intake Height	13 in (330 mm)
Throwing Distance	Up to 45 ft (14 m)
Wheel Size	7 in (178 mm)
Recommended Operating Temperature	-4°F–50°F(-20°C–10°C)
Recommended Storage Temperature	-4°F–158°F(-20°C–70°C)
Weight (without battery pack)	60 lbs (27 kg)

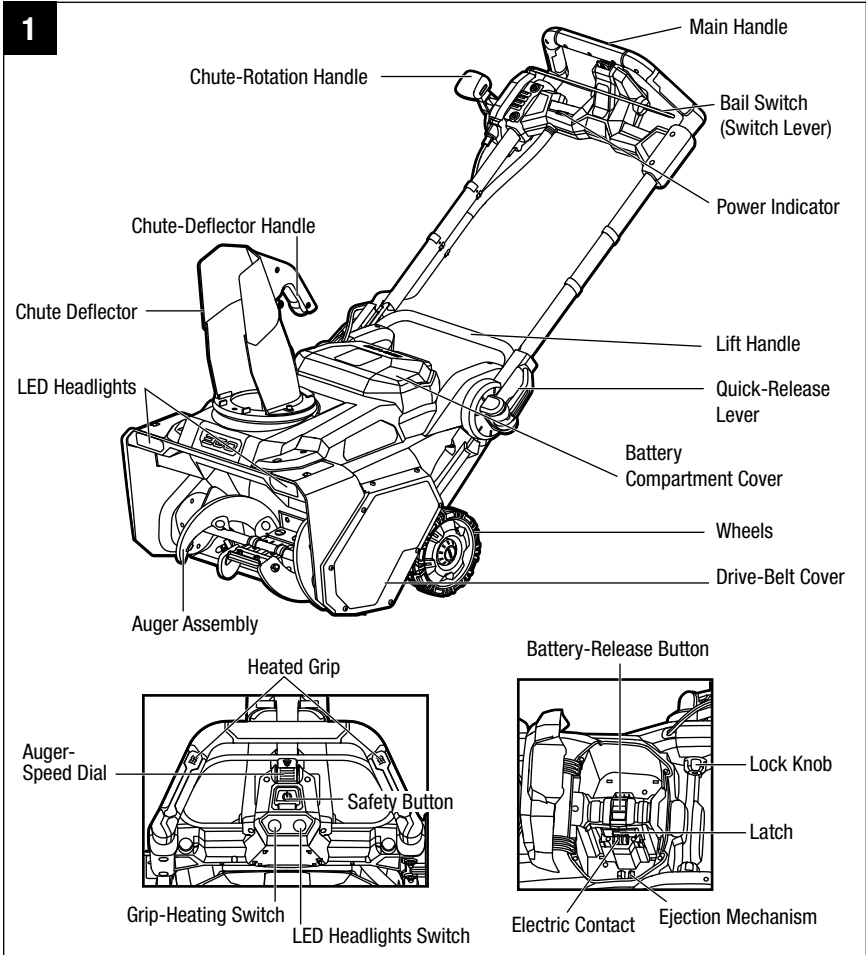
ACCESSORIES

⚠ WARNING: The following parts are subject to be worn out from normal use. Use only identical replacement parts listed below. Use of parts that do not meet the original equipment specifications may lead to improper performance and compromised safety.

PART NAME	MODEL NUMBER
Rubber Paddle and Rubber Auger Set	ARP2120
Scraper Bar	ASS2120
Drive Belt	AVB2120

DESCRIPTION

KNOW YOUR SNOW BLOWER (Fig.1)



⚠ WARNING: The safe use of this product requires an understanding of the information on the product and in this instruction manual, as well as knowledge of the project you are attempting. Before use of this product, familiarize yourself with all operating features and safety rules.

Safety Button

The safety button must be pressed down before the motor can be started.

Bail Switch

The bail switch is located on the upper handle of the snow blower. The switch engages and disengages the motor and auger.

⚠ WARNING: The bail switch and the safety button are safety devices. Never attempt to bypass their operations.

PEAK POWER™

This technology combines the power of up to two EGO 56V ARC Lithium™ batteries for longer run time and efficient power draw.

Quick-Release Lever

Locks/unlocks the side rails for working or storage positions.

Auger-Speed Dial

Adjusts the auger speed which determines the throwing distance.

Chute-Rotation Handle

Rotates the chute so that the user may direct the discharged snow as desired. The handle allows the chute to rotate from 90° left to 90° right.

Chute-Deflector Handle

Adjusts the angle of the chute deflector which determines the height of the discharge stream and, in part, the throwing distance.

LED Headlights

The LED headlights are located on the front of the unit. This feature provides extra light for increased visibility.

Heated Grip

The grip area could be heated by pressing the grip-heating switch, to provide warmth for the operator's hands.

ASSEMBLY

⚠ WARNING: If any parts are damaged or missing, do not operate this product until the parts are replaced. Use of this product with damaged or missing parts could result in serious personal injury.

⚠ WARNING: Do not attempt to modify this product or create accessories not recommended for use with this blower. Any such alteration or modification is misuse and could result in a hazardous condition leading to possible serious personal injury.

⚠ WARNING: To prevent accidental starting that could cause serious personal injury, always remove the battery pack(s) from the tool when assembling parts.

UNPACKING

- This product requires assembly.
- Grasp the rear handle and the front part of the product at the same time to carefully lift the tool up and out of the carton. Remove any other accessories from the carton. Make sure that all items listed in the packing list are included.

⚠ WARNING: Do not use this product if any parts on the packing list are already assembled to your product when you unpack it. Parts on this list are not assembled to the product by the manufacturer and require customer installation. Use of a product that may have been improperly assembled could result in serious personal injury.

- Inspect the tool carefully to make sure no breakage or damage occurred during shipping.
- Do not discard the packing material until you have carefully inspected and satisfactorily operated the tool.
- If any parts are damaged or missing, please return the product to the place of purchase.

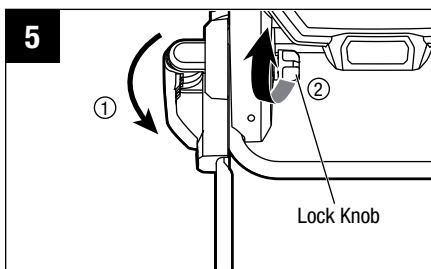
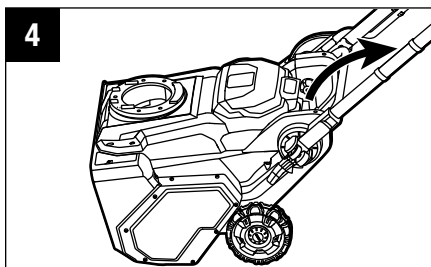
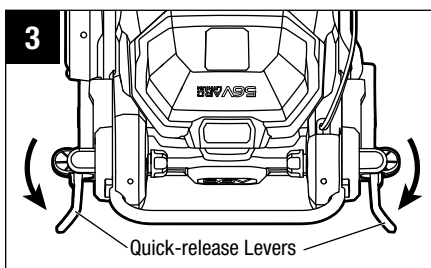
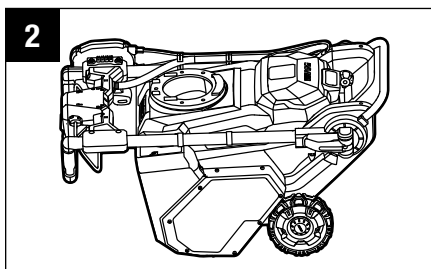
PACKING LIST

PART NAME	QUANTITY
Snow Blower	1
Discharge Chute	1
Operator's Manual	1
Hex Wrench	1

UNFOLDING THE SIDE RAILS

⚠ WARNING: Do not attempt to start the snow blower when the side rails are folded down.

1. Your snow blower is shipped with the side rails in the folded, locked position (Fig. 2).
2. Open the quick-release levers on both sides and gently pivot the side rails upwards until they come to a stop (Fig. 3 & 4).
3. Close the quick-release levers and then tighten the lock knobs to secure the side rails in place (Fig. 5).

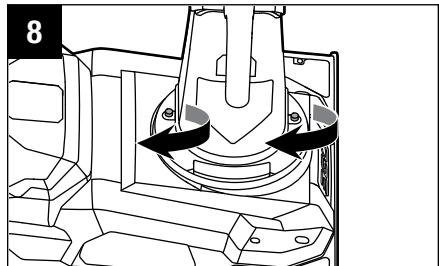
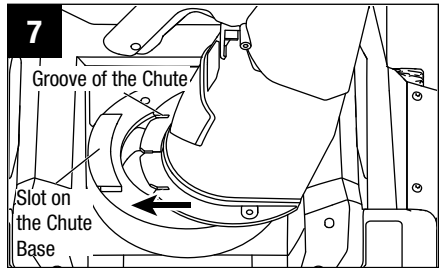
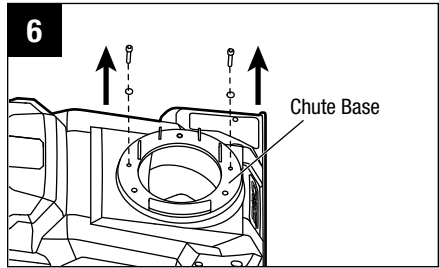


INSTALLING THE CHUTE

1. Use the supplied hex wrench to loosen and remove the two sets of bolts and washers in the chute base (Fig. 6).
2. Align the grooves of the chute with the slot on the chute base, and then push the chute in place (Fig. 7).
3. Use the hex wrench to lock the chute in place with the two sets of bolts and washers (Fig. 8).

⚠ WARNING: Using the chute-rotation handle located at the operator's position, make sure that the chute rotates properly with discharge opening never crossing operator controls.

⚠ WARNING: Never operate the snow blower without the complete discharge chute in place.



OPERATION

⚠ WARNING: Do not allow familiarity with this product to make you careless. Remember that a careless fraction of a second is sufficient to inflict serious injury.

⚠ WARNING: Always wear eye protection marked to comply with ANSI Z87.1, along with hearing protection. Failure to do so could result in objects being thrown into your eyes and other possibly serious injuries.

⚠ WARNING: Do not use any attachments or accessories not recommended by the manufacturer of this product. The use of attachments or accessories not recommended can result in serious personal injury.

APPLICATION

You may use this product for the purposes listed below:

- Removing snow from areas such as driveways and sidewalks.

ATTACHING/DETACHING BATTERY PACK

Charge the battery pack(s) before first use!

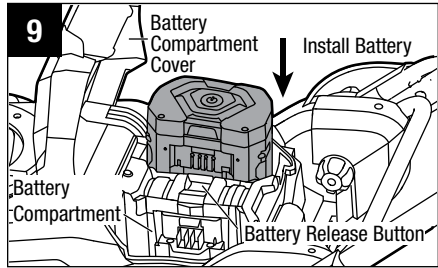
NOTE: The snow blower can operate off of one or two batteries. Using two batteries gives you a longer run time and efficient power draw managed by PEAK POWER™ technology. For best performance, we recommend use of two 5.0Ah or greater Ah battery packs.

When not in use, 56V battery packs should be stored in an enclosed area where the temperature will not drop below -4°F (-20°C). Optimal charging temperature is between 41°F (5°C) and 104°F (40°C).

⚠ WARNING: If any parts are broken or missing, do not attempt to attach the battery packs to the snow blower or operate the snow blower until the broken or missing parts are replaced. Failure to do so could result in serious injury.

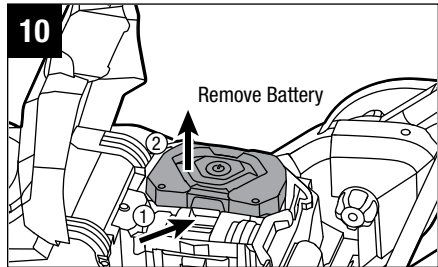
1. The battery compartment cover is hinged. Raise the cover by lifting the front of the cover.
2. The snow blower features dual battery compartment, which allows the use of two battery packs at the same time.

3. Align the grooves in the battery pack with the raised ribs in one of the battery compartments, and then insert the battery pack into the compartment (Fig. 9).
4. Push the battery pack until you hear a “click”. The battery-release button will spring up when the battery pack is securely attached.



NOTICE: Make sure that the latch in the battery compartment(s) snaps into place and that the battery pack(s) are secured to the unit before starting operation.

5. Attach the other battery pack into the other battery compartment in the same way.
6. **To detach the battery pack**, depress the battery-release button to release the battery pack, and then lift it out of the compartment (Fig. 10).
7. Close the battery compartment cover.



STARTING/STOPPING THE SNOW BLOWER

⚠ CAUTION: Do not attempt to override the operation of the safety button and bail switch.

⚠ WARNING: The operation of a snow blower can result in foreign objects being thrown into your or others’ eyes, which can damage eyes severely. Always wear safety glasses while operating the snow blower or while performing any adjustments or repairs on the snow blower.

⚠ WARNING: Ensure that other people and pets remain at least 100” (30m) away from the snow blower when it is in use.

⚠ WARNING: The auger will continue to rotate for a few seconds after the snow blower is turned off. Allow the auger to stop rotating before starting it again.

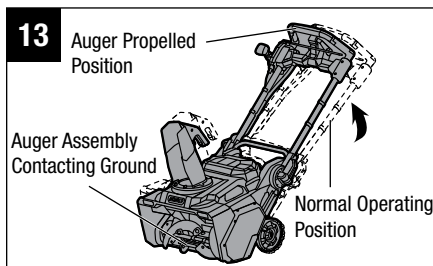
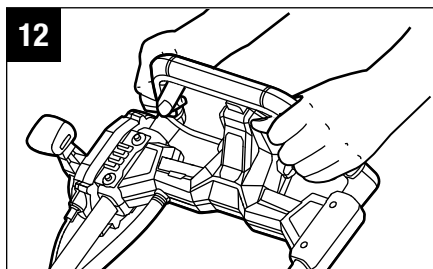
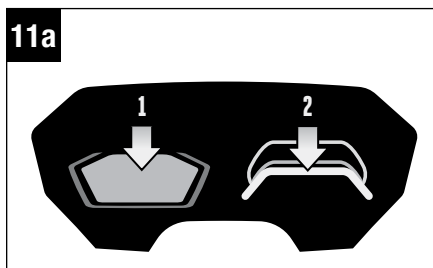
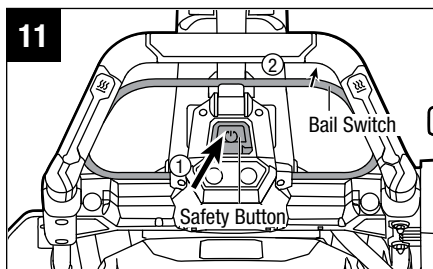
NOTICE: Do not rapidly turn the snow blower off and on.

To Start the Snow Blower

1. Ensure that the side rails are securely locked in the unfolded, open position.
2. Attach the battery pack(s) to the snow blower and close the battery cover. Refer to chapter “ATTACHING/DETACHING BATTERY PACK”.
3. Power the snow blower ON by depressing the safety button.
4. With the safety button depressed, pull the bail switch upward to meet the main handle (Fig. 11 & 11a).
5. Once the auger starts, release the safety button and begin operation (Fig. 12).
6. **To advance forward**, lift the main handle to allow the auger assembly to contact the ground (Fig. 13). The auger traction will assist in moving the snow blower forward.

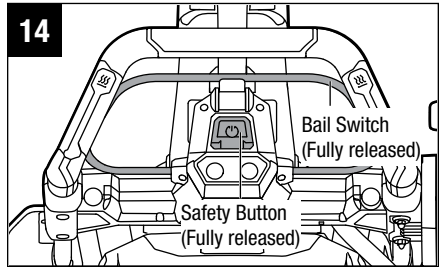
NOTICE: The tool is started by depressing the safety button first, followed by squeezing the bail switch. The reverse operation will not start the tool.

NOTICE: The snow blower may not properly start if its battery temperature is -4°F (-20°C) or less. If unit doesn't start, remove the battery from the snow blower and allow it to warm indoors for 10 minutes or longer. Reinstall the battery and try again.



To Stop the Snow Blower

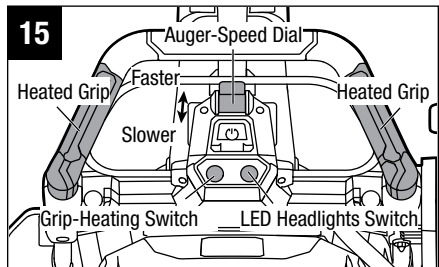
1. Fully release the bail switch (Fig. 14).
2. The electric brake in the Automatic Braking Mechanism will stop the auger rotation within 3 seconds of the bail switch release.



Variable-Auger-Speed System (Fig. 15)

The speed of the auger determines the throwing distance. The speed of the auger is variable and can be adjusted using the auger-speed dial.

1. To increase the speed, move the auger-speed dial away from the operator.
2. To decrease the speed, move the auger-speed dial towards the operator.



Heated grip (Fig. 15)

The grip area could be heated to provide warmth for your hands.

⚠ WARNING: Ensure that the rubber coating is intact at the heated grip areas before turning the grip-heating on. Unprotected skin could suffer burn injury from contact with exposed heating elements.

1. Press the grip-heating switch to heat the grip area. The switch light will illuminate when the heating is turned on.
2. Press the grip-heating switch again to turn off the heating. The switch light will turn off.

NOTE: When the heating is turned on, the temperature of the heated grip will be maintained between 95°F (35°C) and 131°F (55°C).

NOTE: The heating will turn off automatically when the snow blower is inactive for 10 minutes to preserve the battery charge.

LED headlights (Fig. 15 & 16)

The LED headlights are located on the front of the snow blower.

1. To turn on the headlights, press the LED headlights switch. The headlights provide bright light in front of the snow blower.
2. To turn off the headlights, press the LED headlights switch again.

NOTE: There is no switch light to indicate whether the LED headlights are turned on or off.

NOTE: The LED headlights will turn off automatically when the snow blower is inactive for 5 minutes to preserve the battery charge.

ADJUSTING THE CHUTE

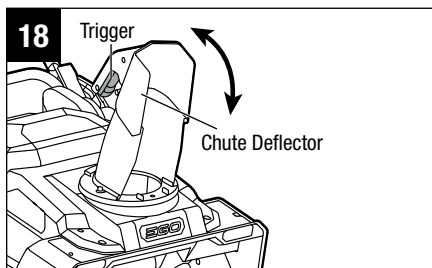
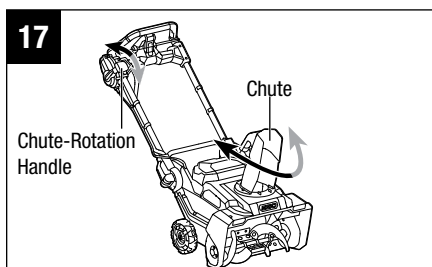
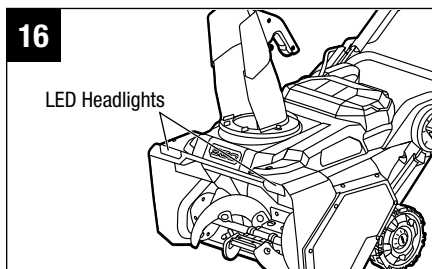
The chute can be adjusted to change both the direction and the distance of the discharged snow to assist you in moving snow away from one area and placing it in another.

The **direction** of snow removal can be adjusted up to 180° (Fig. 17).

1. Push the chute-rotation handle forward to rotate the chute to the left.
2. Pull the chute-rotation handle backward to rotate the chute to the right.

The **throwing distance** of the snow blower is determined in part by the incline angle of the chute deflector (Fig. 18).

⚠ WARNING: Do not adjust the chute deflector while the bail switch is engaged. Always release the bail switch before adjusting the chute deflector.



1. To increase the distance that the snow is thrown, squeeze the trigger on the chute-deflector handle, and then raise the chute deflector. Release the trigger on the chute-deflector handle to lock the chute deflector in place (Fig. 18).
2. To decrease the distance that the snow is thrown, simply lower the deflector with the chute-deflector handle.

⚠ WARNING: Do not force the chute so far forward that a gap appears between the deflector and the chute itself. Snow or other debris could be thrown through the gap and back at the operator, resulting in serious personal injury.

CLEARING A CLOGGED CHUTE

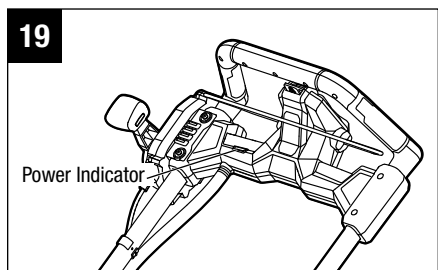
⚠ WARNING: Hands coming in contact with the rotating auger inside the chute is the most common cause of injury associated with snow blowers. Never use your hand to clean out the chute.

To clear the chute:

1. Shut the motor and auger off!
2. Remove the battery pack(s) from the snow blower.
3. Wait 10 seconds to be sure the auger has stopped rotating.
4. Always use a clean-out tool, such as a wooden rod or other clearing tools that are commercially available; do not use your hand.

POWER INDICATOR ON THE SNOW BLOWER (Fig. 19)

The snow blower features a power indicator to communicate the charge level of the battery pack(s) and the working status of the snow blower. The power indicator will illuminate only when the snow blower is started.



POWER INDICATOR	MEANING	ACTION
Flashing green	Safety button is depressed and the snow blower is powered on and ready to work. Each inserted battery pack has at least 15% of its charge.	n/a
Shining green	Snow blower is working properly and each battery has at least 15% of its charge.	n/a
Flashing red	Battery pack(s) charge level is low. The auger does not turn, but the heating function and LED headlights could be on for a short while.	Stop the snow blower and charge the battery pack(s).
Shining orange	The snow blower is overheated.	Stop the snow blower and wait for some time to cool the machine.
Flashing orange	The snow blower is overloaded.	Remove the battery pack(s). Check and clear any snow that has collected beneath or is lodged in the auger. Slow down your pace or decrease the width of the snow-clearing swath when working.
Flashing red and green alternately	Communication fault.	Contact EGO service center for repair.
No indication	If the LED indicator on one or both battery packs flashes orange or shines red, the battery pack(s) is overheated.	Stop the snow blower and allow the battery pack to cool down.
	Other faults: switch, light, etc.	Contact EGO service center for repair.

SNOW BLOWER OVERLOAD PROTECTION

To prevent overload conditions, do not try to remove too much snow at one time. Slow down your pace or decrease the width of the snow-clearing swath.

Your snow blower has built-in overload-sensing elements. When the snow blower is overloaded, the motor will decrease the speed automatically and you will hear the noise level of the motor decrease. In case of overload, slow down your pace or narrow the clearing width, after which the motor speed will resume its normal setting automatically. If this remedy does not solve the overload situation, the sensor will shut off the motor automatically and the power indicator will flash orange. Remove the battery pack(s) from the snow blower. Check to see if there is snow or ice stuck in the auger and deck and use a clean-out tool to clear them out as necessary. Reinstall the battery pack(s) and restart the snow blower.

BATTERY HIGH-TEMPERATURE PROTECTION

If the battery temperature exceeds 158°F (70°C) during operation, the temperature-protection circuit will immediately shut off the snow blower to protect the battery packs from overheating damage. The power indicator on the snow blower will be off and the LED indicator on the battery pack will flash orange or shine red.

NOTE: The LED indicator on following battery packs will flash orange lights when overheated: BA1400, BA1400-FC, BA2800, BA2800-FC, BA4200, and BA4200-FC; the LEDs on following battery packs will shine red lights when overheated: BA1400T, BA1400T-FC, BA2240T, BA2240T-FC, BA2242T, BA2242T-FC, BA2800T, BA2800T-FC, BA4200T, BA4200T-FC, BA5600T, BA5600T-FC, BA6720T, and BA6720T-FC.

Release the bail switch and wait until the overheated battery pack(s) cool down and the light on the battery LED indicator turns green, then restart the snow blower.

To prevent shut off due to battery high-temperature protection, don't try to use a single battery to power the snow blower when the depth of the accumulated snow exceeds 3 inches (76 mm) or when the snow is very wet or icy. We recommend the use of two batteries working simultaneously. This is helpful in attaining the peak power of the snow blower.

After high-temperature protection has occurred, slow down your pace and narrow the width of the snow-clearing swath to reduce the load on the battery.

OPERATING TIPS

⚠ DANGER: Never use a snow blower on frozen lakes, rivers, or similar surfaces. Death or serious injury could occur if the ice breaks.

⚠ DANGER: Never use the snow blower on a rooftop or other unstable surface, which can result in death or serious personal injury.

⚠ WARNING: Do not use snow blower on ice, which can cause the operator to slip and fall, resulting in possibly serious personal injury.

⚠ WARNING: Do not wear loose clothing, scarves, or jewelry. They can be caught in moving parts and cause death or serious personal injury.

⚠ WARNING: Keep all snow discharge pointed away from all electrical devices to reduce the risk of electrocution or electric shock.

⚠ WARNING: Never point the snow blower or discharge chute in the direction of people or pets. Thrown snow or other objects can cause serious personal injuries.

⚠ WARNING: Make sure that the area to be cleared is free of stones, sticks, wires, gravel, and other objects that could be accidentally thrown by the snow blower in any direction and cause serious personal injury to the operator and others.

- If the unit comes in contact with any type of obstruction or debris during use, stop the snow blower, remove the battery pack(s), remove the obstruction, and inspect the unit carefully for damage before proceeding.

⚠ WARNING: Never reach into the discharge chute or place any body part in front of the snow blower when the unit is operating or when the battery pack(s) are installed. Always ensure all moving parts have stopped and the battery pack(s) have been removed before clearing any obstructions. Failure to follow these instructions can result in serious personal injury.

- Take notice of the direction of the wind before beginning. When possible, discharge snow in the same direction as the wind to prevent snow from being thrown back into your face.
- Some parts of the snow blower can freeze under extreme weather conditions. Do not attempt to operate the unit with frozen parts.
- When finished, allow the motor to run for an additional few minutes to prevent moving parts from freezing, then turn the chute rotation handle back and forth several times to free it from any ice buildup. Make sure to clean off any snow and ice from the base of the chute.
- In snowy and cold conditions, some controls and moving parts may freeze. Do not use excessive force when trying to operate frozen controls. If you have difficulty operating any control or part, start the snow blower as instructed in section **“STARTING/STOPPING THE SNOW BLOWER”** and let it run for a few minutes.

MAINTENANCE

⚠ WARNING: To avoid serious personal injury, always remove the battery pack(s) from the product when cleaning or performing any maintenance.

⚠ WARNING: When servicing, use only identical replacement parts. Use of any other parts may create a hazard or cause product damage. To ensure safety and reliability, all repairs should be performed by a qualified service technician.

NOTICE: Periodically inspect the entire product for damaged, missing, or loose parts such as screws, nuts, bolts, caps, etc. Tighten securely all fasteners and caps and do not operate this product until all missing or damaged parts are replaced.

GENERAL MAINTENANCE

Avoid using solvents when cleaning plastic parts. Most plastics are susceptible to damage from various types of commercial solvents and may be damaged by their use. Use clean cloths to remove dirt, dust, oil, grease, etc.

⚠ WARNING: Do not at any time let brake fluids, gasoline, petroleum-based products, penetrating oils, etc., come in contact with plastic parts. Chemicals can damage, weaken or destroy plastic which may result in serious personal injury.

LUBRICATING THE MACHINE

All of the bearings in this product are lubricated with an amount of high grade lubricant sufficient for the life of the unit under normal operating conditions. Therefore, no further bearing lubrication is required.

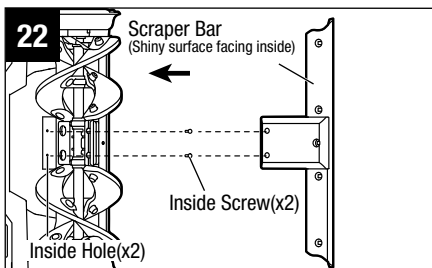
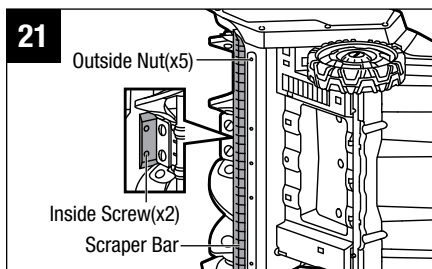
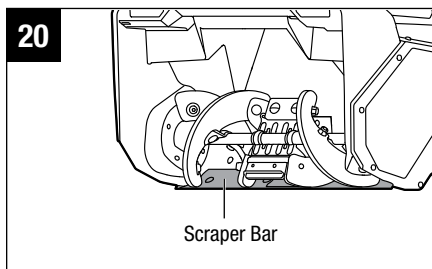
REPLACING THE SCRAPER BAR

⚠ WARNING: Make sure to turn off the unit and remove the battery pack(s) before performing any maintenance task on your snow blower.

Required tools (not included):

- 5/16" (8 mm) open-end wrench
- T20 Torx screwdriver

1. The scraper bar is located at the bottom of the snow blower deck, beneath the auger (Fig. 20).
2. Turn the snow blower on its side (Fig. 21).
3. To reduce the risk of injury, wear gloves. Remove the 5 sets of nuts, spring washers, and bolts from the outside and remove the 2 Torx screws from the inside. Detach the worn scraper bar from the snow blower (Fig. 21).
4. Attach the new scraper bar to the snow blower with the shiny surface facing the inside of the deck (Fig. 22).
5. Align the mounting holes in the scraper bar with the holes in the deck. Insert the 2 Torx screws into the mounting holes from the inside, shiny surface of the scraper bar and tighten them (Fig. 22).



- Insert the 5 bolts into the mounting holes from the inside, shiny surface of the scraper bar (Fig. 23a). Place the spring washers and nuts on the bolts (from the outside of the deck) and securely fasten the scraper bar to the deck (Fig. 23b).

REPLACING THE RUBBER PADDLES & RUBBER AUGERS (Fig. 24)

If the rubber paddles and rubber augers become worn, excessively cracked, frayed, or otherwise damaged, replace them.

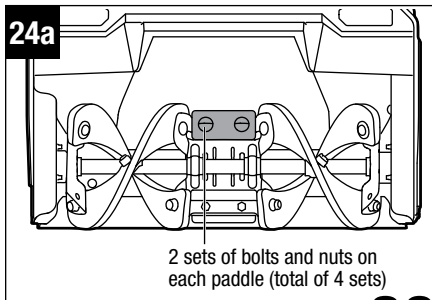
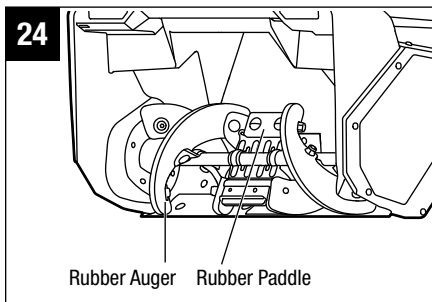
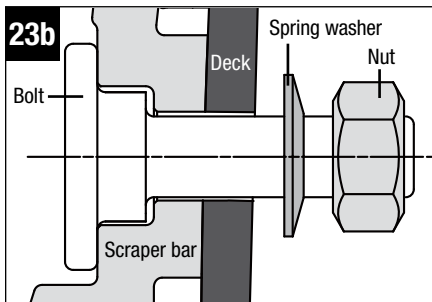
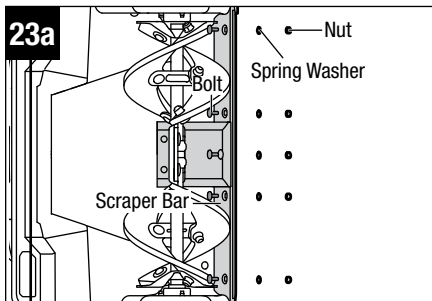
⚠ WARNING: Make sure to turn off the unit and remove the battery pack(s) before performing any maintenance task on your snow blower.

To replace the rubber paddles:

(Fig. 24a)

Required tools (not included):

- Flat head screwdriver
 - 13/32" (10 mm) open-end wrench
- Wear gloves. Manually rotate the steel auger to the appropriate position for easy rubber paddle disassembly.
 - Remove all securing bolts and nuts to take the rubber paddles out.
 - Replace them with the new rubber paddles, and securely tighten them.

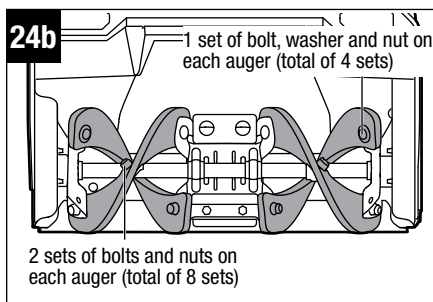


To replace the rubber augers: (Fig. 24b)

Required tools:

- 17/32" (13 mm) open-end wrench (not included)
- 3/16" (5 mm) hex wrench (supplied)

1. Wear gloves. Manually rotate the auger to the appropriate position for easy rubber auger disassembly.
2. Remove all securing bolts and nuts to take the rubber augers out.
3. Replace them with the new rubber augers, and securely tighten them.



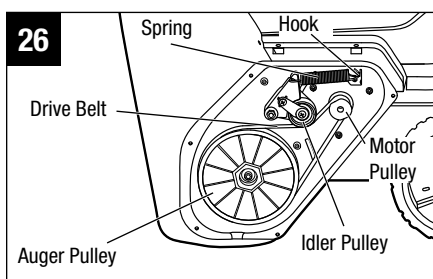
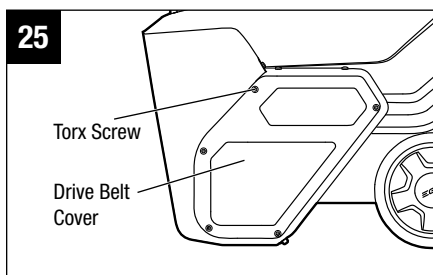
REPLACING THE DRIVE BELT

If the drive belt becomes worn, oil-soaked, excessively cracked, frayed, or otherwise damaged, replace the belt.

⚠ WARNING: Make sure to turn off the unit and remove the battery pack(s) before performing any maintenance task on your snow blower.

Required tools (not included):

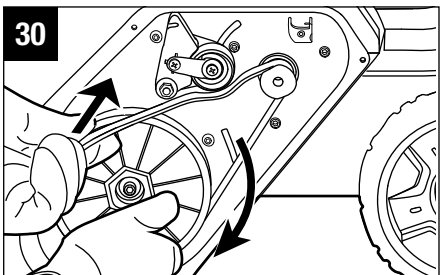
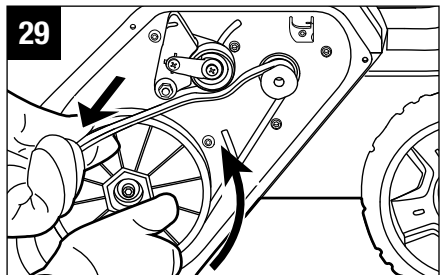
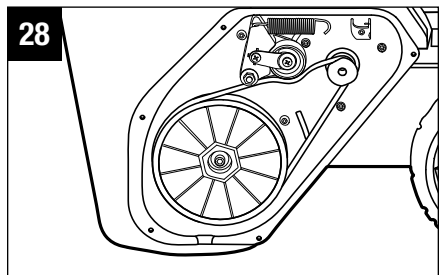
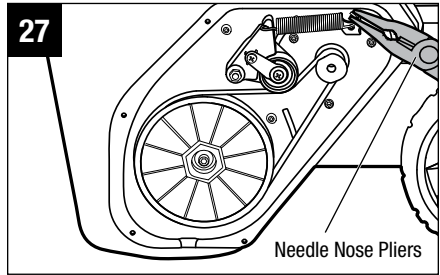
- T20 Torx screwdriver
 - Needle Nose Pliers
1. Use a T20 Torx screwdriver (not included) to remove the drive belt cover by removing the 9 Torx screws as shown in Fig. 25.



2. Use needle nose pliers (not included) to remove the spring from the hook to release the belt tension (Fig. 27 & 28).
3. Remove the drive belt by slowly turning the auger pulley counterclockwise while pulling the belt outwards (Fig. 29).
4. Install the new drive belt by rotating it onto the pulleys (Fig. 30).

Tips: Rotate the new drive belt first around the motor pulley, then the idler pulley, and finally, around the auger pulley. Slowly turn the auger pulley clockwise to drive the belt inwards (Fig. 26).

5. Use needle nose pliers (not included) to install the spring onto the hook to tension the drive belt (Fig. 27).
6. Reinstall the drive belt cover and secure it with the 9 Torx screws removed in step 1 (Fig. 25).



STORING THE SNOW BLOWER

⚠ CAUTION: Ensure that all melted snow that may drip from the snow blower is properly wiped up to prevent a slip and fall hazard.

- Remove the battery pack(s) and store in a secure location out of the reach of children.

NOTE: When not in use, a 56V battery should be stored in an enclosed area where the temperature will not drop below -4°F (-20°C). Optimal charging temperatures are 41°F – 104°F (5°C – 40°C).

Before storage, wipe any moisture, dirt, or debris from and around the battery compartment.

- Wipe the snow blower with a clean dry cloth.
- Check all nuts, bolts, knobs, screws, etc., for tightness.
- Inspect moving parts for damage, breakage, and wear. Have repairs made on any damaged or missing parts.
- Fold the side rails to the storage position.
- Store the snow blower in a clean, dry, enclosed place out of the reach of children.
- Do not store near corrosive materials such as fertilizer or rock salt.

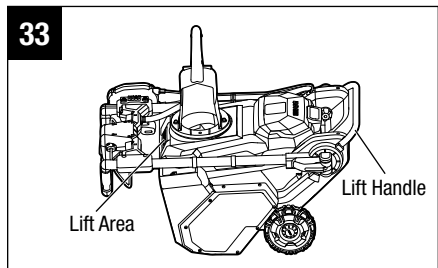
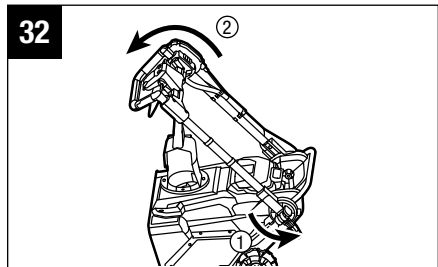
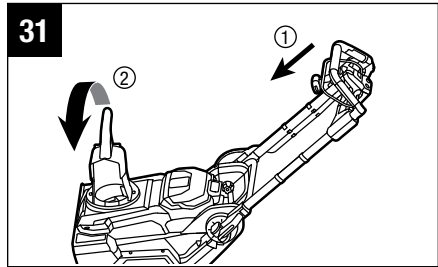
FOLDING THE SIDE RAILS

1. Push the chute-rotation handle all the way forward so that the chute is facing left, which will ensure causing no interference when folding. Squeeze the trigger on the chute deflector handle to tilt it all the way down (Fig. 31).
2. Open the quick-release levers on both sides to fold the side rails to the storage position (Fig. 32).

LIFTING AND CARRYING THE SNOW BLOWER

1. Remove the battery pack(s).
2. Fold the side rails as described in the previous chapter.
3. Lift and carry the unit by grabbing the lift handle with one hand and the lift area, on top of the snow intake (right below the EGO logo), with the other hand (Fig. 33).

⚠ WARNING: Snow blower is heavy!
Lift with your legs – not with your back.



TROUBLESHOOTING

⚠ WARNING: Always remove the battery pack(s) when servicing or transporting the snow blower. Always protect your hands by wearing gloves when performing any maintenance on the snow blower auger or scraper.

PROBLEM	CAUSE	SOLUTION
Side rails don't stay in position.	<ul style="list-style-type: none"> ■ Lock knobs on the side rails and/or quick-release levers are not secured. 	<ul style="list-style-type: none"> ■ Make sure that lock knobs on the side rails are fully tightened and the quick-release levers are fully closed.
Snow blower is not starting.	<ul style="list-style-type: none"> ■ Battery charge is low. ■ The auger is frozen by snow or ice. ■ The battery pack is overheated. The LED indicator on the battery pack(s) flashes orange or shines red (see the section “BATTERY HIGH-TEMPERATURE PROTECTION” in this manual.) ■ Incorrect steps made to power on the snow blower. ■ Unidentified fault 	<ul style="list-style-type: none"> ■ Charge the battery. ■ Remove the battery pack(s) first, then use a clean-out tool to clear the snow or ice that obstruct the auger. Reinstall the battery packs and restart the snow blower. ■ Remove the overheated battery pack(s) from the snow blower and wait until the battery pack(s) cools down to approximately 152°F (67°C). Reinstall the battery pack(s) and restart the snow blower. ■ (1) Press the safety button until the power indicator flashes green. (2) With the button depressed, pull the bail switch upward to meet the main handle. ■ Contact EGO service center for repair.
The motor is on but the auger does not turn.	<ul style="list-style-type: none"> ■ The drive belt is worn or broken. 	<ul style="list-style-type: none"> ■ Replace the drive belt following the section “REPLACING THE DRIVE BELT” in this manual.

PROBLEM	CAUSE	SOLUTION
After passing, the snow blower leaves a layer of snow on the ground.	<ul style="list-style-type: none"> ■ The scraper bar is worn. 	<ul style="list-style-type: none"> ■ Replace the scraper following the section “REPLACING THE SCRAPER BAR” in this manual.
The snow blower throws less snow.	<ul style="list-style-type: none"> ■ The rubber paddles are worn. ■ Auger speed may be too low. 	<ul style="list-style-type: none"> ■ Replace the rubber paddles following the section “TO REPLACE THE RUBBER PADDLES” in this manual. ■ Increase the auger speed.
The auger fails to get traction and it requires extra effort to push the snow blower forward.	<ul style="list-style-type: none"> ■ The rubber augers are worn. 	<ul style="list-style-type: none"> ■ Replace the rubber augers following the section “TO REPLACE RUBBER AUGERS” in this manual.
The grip area fails to be heated.	<ul style="list-style-type: none"> ■ The heating function will turn off automatically when the snow blower is inactive for 10 minutes. 	<ul style="list-style-type: none"> ■ Press the grip-heating switch to restart the heating.



WARRANTY

EGO WARRANTY POLICY

5-year limited warranty on EGO POWER+ outdoor power equipment and portable power for personal, household use.

3-year limited warranty on EGO POWER+ System battery packs and chargers for personal, household use. An additional 2-year extended warranty applies for the 10.0Ah/12.0Ah battery whether sold separately (Model# BA5600T/BA6720T) or included with any tool, if it is registered within 90 days of purchase. 5-year limited warranty on CHV1600 charger, designed for use with Zero Turn Riding Mower for personal, household use.

2 year/1year limited warranty on EGO outdoor power equipment, portable power, battery packs, and chargers for professional and commercial use.

The detailed warranty periods by products can be found online at <http://egopowerplus.com/pages/warranty-policy>.

Please contact EGO Customer Service Toll-Free at 1-855-EGO-5656 any time you have questions or warranty claims.

LIMITED SERVICE WARRANTY

EGO products are warranted against defects in material or workmanship from the date of original retail purchase for the applicable warranty period. Defective product will receive free repair.

- a) This warranty applies only to the original purchaser from an authorized EGO retailer and may not be transferred. Authorized EGO retailers are identified online at <http://egopowerplus.com/pages/warranty-policy>.
- b) The warranty period for reconditioned or factory certified products used for residential purpose is 1 year, for industrial, professional or commercial purpose is 90 days.
- c) The warranty period for routine maintenance parts, such as, but not limited to, blades, trimmer heads, chain bars, saw chains, belts, scraper bars, blower nozzles, and all other EGO accessories is 90 days for residential purpose, 30 days for industrial, professional or commercial purpose. These parts are covered for 90/30 days from manufacture defects in normal working conditions.
- d) This warranty is void if the product has been used for rental purpose.
- e) This warranty does not cover the damage resulting from modification, alteration or unauthorized repair.

- f) This warranty only covers defects arising under normal usage and does not cover any malfunction, failure or defect resulting from misuse, abuse (including overloading of the product beyond capacity and immersion in water or other liquid), accidents, neglect or lack of proper installation, and improper maintenance or storage.
- g) This warranty does not cover normal deterioration of the exterior finish, including but not limited to scratches, dents, paint chips, or to any corrosion or discoloring by heat, abrasive and chemical cleaners.

HOW TO OBTAIN SERVICE

For warranty service, please contact EGO customer service toll-free at **1-855-EGO-5656**. When requesting warranty service, you must present the original dated sales receipt. An authorized service center will be selected to repair the product according to the stated warranty terms. When bringing your product to the authorized service center, there may be a small deposit that will be required when dropping off your tool. This deposit is refundable when the repair service is deemed to be covered under warranty.

ADDITIONAL LIMITATIONS

To the extent permitted by applicable law, all implied warranties, including warranties of MERCHANTABILITY or FITNESS FOR A PARTICULAR PURPOSE, are disclaimed. Any implied warranties, including warranties of merchantability or fitness for a particular purpose, that cannot be disclaimed under state law are limited to the applicable warranty period defined at the beginning of this article.

Chervon North America is not responsible for direct, indirect, incidental or consequential damages.

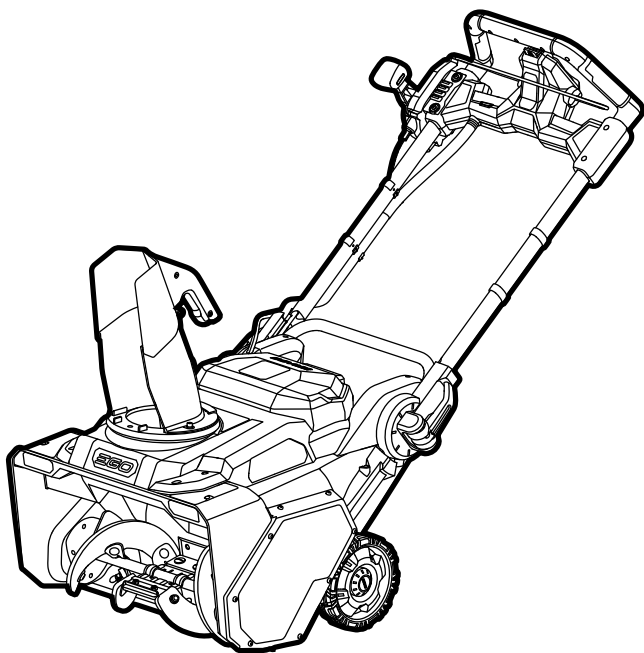
Some states do not allow limitations on how long an implied warranty lasts and/or do not allow the exclusion or limitation of incidental or consequential damages, so the above limitations may not apply to you.

This warranty gives you specific legal rights, and you may also have other rights which vary from state to state.

For customer service contact us toll-free at: **1-855-EGO-5656 or EGOPOWERPLUS.COM**. EGO Customer Service, 769 SEWARD AVE NW / Suite 102 Grand Rapids, MI 49504

EGO™

POWER⁺ SNOW BLOWER



GUIDE D'UTILISATION

SOUFFLEUSE À NEIGE SANS FIL À PILE AU LITHIUM-ION DE 56 VOLTS

MODEL NUMBER SNT2120AP/SNT2120AP-FC

⚠ AVERTISSEMENT : Afin de réduire les risques de blessure, l'utilisateur doit lire et comprendre le guide d'utilisation avant d'utiliser ce produit. Conservez le présent guide afin de pouvoir le consulter ultérieurement.

TABLE DES MATIÈRES

Symboles de sécurité	42
Consignes de sécurité	43-44
Pratiques d'utilisation sécuritaires de la souffleuse à neige poussée . . .	44-49
Introduction	50
Spécifications	50
Accessoires	51
Description	52-54
Assemblage	55-58
Opération	59-69
Entretien	70-77
Dépannage	78-80
Garantie	81-82

LISEZ TOUTES LES INSTRUCTIONS!



**ASSUREZ-VOUS DE LIRE ET DE
COMPRENDRE LE GUIDE D'UTILISATION**

⚠ AVERTISSEMENT : Certaines poussières produites par l'utilisation d'outils de coupe électriques contiennent des produits chimiques reconnus par l'État de Californie comme causes de cancers, d'anomalies congénitales et de problèmes du système reproducteur. Voici des exemples de ces produits chimiques :

- Le plomb contenu dans la peinture au plomb;
- La silice cristallisée contenue dans les briques, le ciment et d'autres produits de maçonnerie;
- L'arsenic et le chrome contenus dans le bois d'oeuvre traité avec des produits chimiques.

Les risques liés à l'exposition à ces produits varient en fonction de la fréquence à laquelle vous effectuez ce type de travail. Pour réduire votre exposition à ces produits chimiques, travaillez dans une zone bien ventilée et portez l'équipement de sécurité approuvé, comme les masques antipoussières conçus spécialement pour ne pas laisser passer les particules microscopiques.

SYMBOLES DE SÉCURITÉ

L'objectif des symboles de sécurité est d'attirer votre attention sur les dangers potentiels. Vous devez examiner attentivement et bien comprendre les symboles de sécurité et les explications qui les accompagnent. Les symboles d'avertissement n'éliminent pas le danger d'eux-mêmes. Les consignes et avertissements qu'ils donnent ne remplacent en aucun cas la prise de mesures préventives adéquates.

⚠ AVERTISSEMENT : Avant d'utiliser cet outil, veuillez à lire et à comprendre toutes les consignes de sécurité du guide d'utilisation, notamment tous les symboles d'alerte de sécurité comme « **DANGER** », « **AVERTISSEMENT** » et « **MISE EN GARDE** ». Le fait de ne pas respecter toutes les consignes ci-dessous peut occasionner un choc électrique, un incendie ou des blessures graves.

SIGNIFICATION DES SYMBOLES

⚠ SYMBOLE D'ALERTE DE SÉCURITÉ : Indique un **DANGER**, un **AVERTISSEMENT** ou une **MISE EN GARDE**. Il peut être associé à d'autres symboles ou pictogrammes.




⚠ AVERTISSEMENT : Lors de l'utilisation de tout outil électrique, des corps étrangers peuvent être projetés dans les yeux et causer des lésions oculaires graves. Avant d'utiliser un outil électrique, veuillez à toujours porter des lunettes de protection couvrantes ou à écrans latéraux, ou un masque complet au besoin. Nous recommandons le port d'un masque de sécurité panoramique par-dessus les lunettes ou de lunettes de sécurité standard avec écrans latéraux. Portez toujours un équipement de protection des yeux conforme à la norme ANSI Z87.1.

CONSIGNES DE SÉCURITÉ

Cette page illustre et décrit les symboles de sécurité qui peuvent être présents sur ce produit. Vous devez lire, comprendre et suivre toutes les instructions présentes sur l'appareil avant d'entamer son assemblage ou son utilisation.

	Alerte de sécurité	Indique un risque de blessure.
	Protection oculaire	Lorsque vous utilisez ce produit, veillez à toujours porter des lunettes de protection couvrantes ou à écrans latéraux, ou un masque complet.
	Assurez-vous de lire et de comprendre le guide d'utilisation	Afin de réduire les risques de blessure, l'utilisateur doit lire et comprendre le guide d'utilisation avant d'utiliser ce produit.
	DANGER – Gardez les mains éloignées de la turbine	N'utilisez pas vos mains pour déboucher la goulotte.
	Gardez les pieds éloignés de la turbine	Gardez les pieds éloignés de la turbine rotative.
	Symbole de recyclage	Ce produit fonctionne au moyen d'un bloc-pile au lithium-ion (Li-ion). La législation locale, provinciale ou fédérale peut interdire la mise au rebut des blocs-piles dans une poubelle ordinaire. Consultez l'organisme local en matière de déchets au sujet des options disponibles pour la mise au rebut ou le recyclage.
IPX4	Niveau de protection d'indice	Protection contre les projections d'eau

V	Volt	Tension
	Courant continu	Type ou caractéristique du courant
cm	Centimètre	Longueur ou taille
in.	Pouce	Longueur ou taille
Ft.	pi	Longueur ou taille
kg	Kilogramme	Poids
lb	Livre	Poids

⚠ AVERTISSEMENT : Pour assurer la sécurité et la fiabilité de l'appareil, toutes les réparations doivent être effectuées par un technicien en entretien et en réparation qualifié.

PRATIQUES D'UTILISATION SÉCURITAIRES DE LA SOUFFLEUSE À NEIGE POUSSÉE

⚠ AVERTISSEMENT : Cette souffleuse à neige peut amputer une personne des bras et des pieds et projeter des objets. Le non-respect des consignes de sécurité peut entraîner des blessures graves.

POUR TOUTES LES SOUFFLEUSES À NEIGE

- N'utilisez pas cet appareil sur une surface de gravier.
- Maintenez les enfants à l'écart. Tous les visiteurs doivent se tenir à une distance sécuritaire de la zone de travail.
- Portez une tenue adéquate. Ne portez pas de vêtements amples ni de bijoux qui peuvent s'accrocher. Ils pourraient se coincer dans les pièces mobiles de la souffleuse.
- Portez des bottes en caoutchouc lorsque vous utilisez la souffleuse à neige.
- Gardez vos mains éloignées des pièces mobiles.
- Assurez-vous que les protecteurs sont bien en place et en état de fonctionnement.
- Ne forcez pas la souffleuse à neige. Elle fonctionnera mieux et sera plus sécuritaire au régime de fonctionnement pour lequel elle a été conçue.

- N'essayez pas d'étendre votre portée. Gardez une posture sécuritaire et un bon équilibre en tout temps.
- Si la souffleuse à neige heurte un objet étranger, procédez comme suit :
 - 1) Arrêtez la souffleuse à neige. Relâcher l'interrupteur.
 - 2) Retirez les blocs-piles.
 - 3) Vérifiez si l'appareil est endommagé.
 - 4) Réparez tout dommage avant de remettre la souffleuse à neige en marche et de recommencer à l'utiliser.
- Rangez les souffleuses à neige inactives à l'intérieur – Lorsqu'elles ne sont pas utilisées, les souffleuses à neige doivent être rangées à l'intérieur, dans un endroit sec, fermé à clé et hors de portée des enfants.
- Entretenez les souffleuses à neige avec soin – Suivez les instructions pour la lubrification et le remplacement des accessoires.

FORMATION

- Lisez, comprenez et suivez toutes les instructions figurant sur la souffleuse à neige et dans le ou les mode(s) d'emploi avant de commencer à l'utiliser cette machine. Familiarisez-vous avec les commandes et l'utilisation correcte de la souffleuse à neige. Sachez comment arrêter la souffleuse à neige et désactiver rapidement les commandes.
- Ne laissez jamais des enfants utiliser la souffleuse à neige. Ne laissez jamais des adultes utiliser la souffleuse à neige sans leur avoir donné les instructions nécessaires au préalable.
- Faites en sorte que personne, tout particulièrement de petits enfants, ne se trouve dans la zone de travail.
- Faites preuve de prudence pour ne pas risquer de glisser ou de tomber, notamment lorsque vous utilisez la souffleuse à neige en marche arrière.

PRÉPARATION

- Inspectez minutieusement la zone où la souffleuse à neige doit être utilisée, et retirez tous les paillasons, traîneaux, planches, fils et autres corps étrangers.
- N'utilisez pas la souffleuse à neige sans porter des vêtements d'hiver adéquats. Évitez les vêtements amples qui sont susceptibles de s'accrocher dans les pièces mobiles. Portez des chaussures qui vous permettront de mieux marcher sur les surfaces glissantes.

- N'essayez jamais d'effectuer un quelconque réglage lorsque le moteur est en marche (sauf si le fabricant le recommande expressément).
- Portez toujours des lunettes de sécurité ou des protections oculaires pendant le fonctionnement ou lors d'un réglage ou d'une réparation afin de protéger les yeux des corps étrangers qui peuvent être projetés par la souffleuse à neige.

OPÉRATION

- Empêchez une mise en marche accidentelle. Assurez-vous que l'interrupteur est dans la position d'arrêt avant de le connecter au bloc-piles, ou de soulever ou de transporter la souffleuse à neige. Le fait de transporter la souffleuse à neige avec le doigt sur l'interrupteur ou de mettre sous tension une souffleuse à neige dont l'interrupteur est en position de marche invite les accidents. Ne mettez pas les mains ou les pieds à proximité de pièces en rotation ou sous des pièces en rotation. Veillez à ce que personne ne se trouve jamais en face des orifices de décharge.
- Ne mettez pas les mains ou les pieds à proximité de pièces en rotation ou sous des pièces en rotation. Veillez à ce que personne ne se trouve jamais en face des orifices de décharge.
- Faites preuve d'une extrême prudence lors de l'utilisation de la souffleuse, en particulier lors de la traversée d'une allée, d'un trottoir ou d'une route en gravier. Restez attentif aux dangers cachés ou à la circulation.
- Après avoir heurté un corps étranger, arrêtez le moteur, retirez le(s) bloc(s)-piles, inspectez minutieusement la souffleuse à neige pour détecter tout dommage et réparez les dommages avant de redémarrer et d'utiliser la souffleuse à neige.
- Si la souffleuse à neige commence à vibrer de façon anormale, arrêtez immédiatement le moteur et recherchez la cause du problème. Des vibrations sont généralement un signe avant-coureur d'un problème.
- Arrêtez le moteur chaque fois que vous quittez la position de fonctionnement, avant de déboucher le carter du système de projection à vis sans fin (tarière) ou la goulotte de décharge, et lors de toute réparation, de tout réglage ou de toute inspection.
- Lors du nettoyage, de la réparation ou de l'inspection de la souffleuse à neige, arrêtez le moteur et assurez-vous que l'ensemble du système d'entraînement par vis sans fin et toutes les pièces mobiles sont arrêtées. Retirez le(s) bloc(s)-piles pour éviter que quelqu'un ne fasse démarrer accidentellement le moteur.

- Faites preuve d'une grande prudence lorsque vous utilisez la souffleuse à neige sur une pente.
- N'utilisez jamais la souffleuse à neige sans que les dispositifs de protection ou autres systèmes de sécurité ne soient en place et fonctionnent correctement.
- Ne dirigez jamais la décharge vers des personnes se trouvent ou vers des zones où des dommages matériels peuvent se produire. Gardez les enfants et les autres personnes à l'écart.
- Ne surchargez pas la capacité de la souffleuse à neige en essayant de déblayer la neige à une vitesse trop rapide.
- Mettez le système d'alimentation par vis sans fin de la tarière hors tension lorsque la souffleuse à neige est transportée ou quand elle n'est pas utilisée.
- N'utilisez que des attachements et des accessoires approuvés par le fabricant de la souffleuse à neige (tels que les palettes en caoutchouc, la barre de raclage et la courroie d'entraînement).
- N'utilisez jamais la souffleuse à neige sans une bonne visibilité ou assez de lumière. Soyez toujours stable sur vos pieds et tenez fermement les poignées. Marchez ne courez jamais.
- N'exposez pas un bloc-piles ou une souffleuse à neige à un feu ou à une température excessive. L'exposition à un feu ou à une température supérieure à 130° C / 265° F pourrait causer une explosion.
- Débranchez le bloc-piles de l'équipement électrique avant d'y apporter de quelconques modifications, de changer des accessoires ou de le ranger. De telles mesures de sécurité préventives réduisent le risque de démarrage accidentel de l'équipement.
- Ne rechargez l'équipement qu'avec le chargeur indiqué par le fabricant. Un chargeur qui est approprié pour un type de bloc-piles pourrait créer un risque d'incendie quand il est utilisé avec un autre bloc-piles.
- N'utilisez la souffleuse à neige qu'avec des blocs-piles spécifiquement désignés. L'utilisation de tout autre bloc-piles pourrait créer un risque de blessure et d'incendie.
- Lorsque le bloc-piles n'est pas utilisé, gardez-le à une distance suffisante des autres objets en métal, comme des trombones, pièces de monnaie, clés, clous, vis ou autres petits objets en métal qui pourraient causer une connexion entre une borne et une autre. Le court-circuitage des bornes d'une pile pourrait causer des brûlures ou un incendie.

- Dans des conditions d'utilisation abusives, du liquide pourrait être éjecté de la pile; évitez tout contact. En cas de contact accidentel, lavez avec de l'eau. En cas de contact de liquide avec les yeux, consultez également un professionnel de santé. Tout liquide éjecté d'une pile peut causer de l'irritation ou des brûlures.
- N'utilisez pas un bloc-piles ou un appareil qui est endommagé ou a été modifié. Les piles endommagées ou modifiées peuvent avoir un comportement imprévisible et provoquer un incendie, une explosion ou un risque de blessure.
- Respectez toutes les instructions de charge et ne chargez pas le bloc-piles ou l'équipement en dehors de la plage de température spécifiée dans les instructions. Une charge inappropriée ou à des températures hors de la plage spécifiée peut endommager la pile et augmenter le risque d'incendie.
- Faites effectuer l'entretien par un réparateur qualifié utilisant uniquement des pièces de rechange identiques. Ceci garantira que la sécurité du produit est maintenue.
- Ne modifiez pas ou ne tentez pas de réparer la souffleuse à neige ou le bloc-piles (suivant le cas), sauf conformément à ce qui est indiqué dans les instructions pour l'utilisation et l'entretien.
- Utilisez le produit uniquement avec les blocs-piles et les chargeurs indiqués cidessous:

BLOC-PILE	CHARGEUR
BA1400, BA1400-FC, BA2800, BA2800-FC, BA4200, BA4200-FC, BA1400T, BA1400T-FC, BA2240T, BA2240T-FC, BA2242T, BA2242T-FC, BA2800T, BA2800T-FC, BA4200T, BA4200T-FC, BA5600T, BA5600T-FC, BA6720T, BA6720T-FC	CH2100, CH2100-FC, CH3200, CH3200-FC, CH5500, CH5500-FC, CH2800D, CH2800D-FC, CH7000, CH7000-FC,

AVIS : Pour obtenir de meilleures performances et une autonomie de fonctionnement maximale, il est recommandé d'utiliser deux blocs-piles de 5,0 Ah ou plus.

NETTOIEMENT D'UNE GOULOTTE DE DÉCHARGE BOUCHÉE

Le contact de la main avec la vis sans fin en marche à l'intérieur de la goulotte d'éjection est la cause la plus courante de blessures associées aux souffleuses à neige. N'utilisez jamais vos mains pour désobstruer la goulotte d'éjection.

Pour désobstruer la goulotte :

- **ARRÊTEZ LE MOTEUR!**
- Attendez 10 secondes pour vous assurer que les lames de la vis sans fin ne tournent plus.
- Utilisez toujours un outil de déblocage, et non vos mains.

ENTRETIEN ET REMISAGE

- Vérifiez fréquemment le serrage de tous les boulons ou fixations pour vous assurer que l'équipement est en bon état de marche.
- Consultez toujours le mode d'emploi pour connaître les détails importants si la souffleuse à neige doit être stockée pendant une période prolongée.
- Assurez la lisibilité continue des étiquettes de sécurité et d'instructions, ou remplacez-les si besoin est.
- Continuez à faire fonctionner la souffleuse pendant quelques minutes après avoir soufflé la neige pour éviter le gel du système de projection par vis sans fin.

CONSERVEZ CES INSTRUCTIONS. Consultez-les fréquemment et utilisez-les pour donner les instructions nécessaires aux autres personnes qui peuvent utiliser cette souffleuse à neige. Si vous prêtez cette souffleuse à neige à quelqu'un d'autre, prêtez-lui également ces instructions pour éviter toute utilisation inappropriée du produit et tout risque de blessure.

INTRODUCTION

Félicitations pour votre choix de la nouvelle souffleuse à neige à pile au lithium-ion de 56 V. Elle a été conçue, développée et fabriquée pour vous donner le plus possible de fiabilité et de rendement.

Si vous rencontrez un problème auquel vous ne pouvez pas remédier facilement, veuillez contacter le centre de service à la clientèle EGO au 1-855-EGO-5656.


Ce mode d'emploi contient des informations importantes sur assemblage, l'utilisation et l'entretien de votre produit en toute sécurité. Lisez-le attentivement avant d'utiliser le produit. Conservez ce mode d'emploi à portée de main afin de pouvoir vous y référer à tout moment.

NUMÉRO DE SÉRIE _____ DATE D'ACHAT _____

LES NUMÉROS DE MODÈLE ET DE SÉRIE SE TROUVENT SUR UNE ÉTIQUETTE FIXÉE SUR LE LOGEMENT DE LA VIS SANS FIN.

NOUS VOUS RECOMMANDONS DE NOTER LE NUMÉRO DE SÉRIE ET LA DATE D'ACHAT ET DE LES CONSERVER EN LIEU SÛR AFIN DE POUVOIR LES CONSULTER ULTÉRIEUREMENT. CONSERVEZ VOTRE REÇU DE CAISSE.

SPÉCIFICATIONS

Tension	56V 
Largeur de déblaiement	21 in (530 mm)
Hauteur d'admission	13 in (330 mm)
Distance de projection	Up to 45 ft (14 m)
Dimensions des roues	7 in (178 mm)
Température de fonctionnement	-4°F–50°F(-20°C–10°C)
Température de stockage	-4°F–158°F(-20°C–70°C)
Poids de la souffleuse à neige (sans blocs-piles)	60 lbs (27 kg)

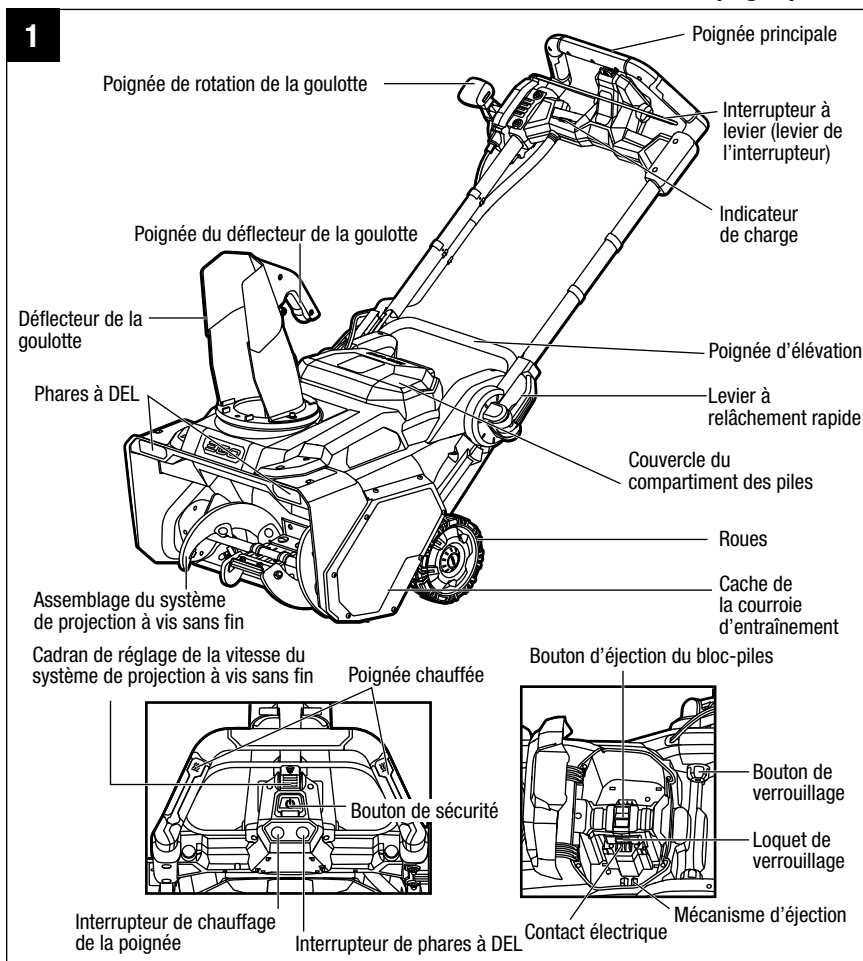
ACCESSOIRES

⚠ AVERTISSEMENT : Les pièces suivantes sont sujettes à l'usure dans des conditions d'utilisation normale. Utilisez seulement les pièces de rechange identiques énumérées ci-dessous. L'utilisation de pièces qui ne respectent pas les caractéristiques de l'équipement d'origine peut entraîner un mauvais rendement et compromettre la sécurité de l'appareil.

NOM DE LA PIÈCE	QUANTITÉ
Remplacement Des Palettes En Caoutchouc Et De La Tarière En Caoutchouc	ARP2120
Barre de raclage	ASS2120
Courroie d'entraînement	AVB2120

DESCRIPTION

FAMILIARISEZ-VOUS AVEC VOTRE SOUFFLEUSE À NEIGE (Fig. 1)



⚠ AVERTISSEMENT : Pour que ce produit puisse être utilisé en toute sécurité, il est nécessaire de comprendre les informations figurant sur le produit et dans son mode d'emploi, et de bien maîtriser le projet que vous voulez réaliser. Avant d'utiliser ce produit, familiarisez-vous avec toutes ses fonctionnalités et les consignes de sécurité qui s'y appliquent.

Bouton de sécurité

Le bouton de sécurité doit être enfoncé avant que le moteur puisse être démarré.

Interrupteur à levier

L'interrupteur à levier se trouve sur la partie supérieure de la poignée de la souffleuse à neige. L'interrupteur engage et désengage le moteur et la vis sans fin.

⚠ AVERTISSEMENT : L'interrupteur à levier et le bouton de sécurité sont des dispositifs de sécurité. Ne tentez jamais de désactiver leur fonctionnement.

PEAK POWER™

Cette technologie combine la puissance de deux piles EGO ARC Lithium™ de 56 V pour une durée de fonctionnement plus longue et une consommation d'énergie efficace.

Levier à dégagement rapide

Verrouille et déverrouille les montants latéraux pour permettre des positions de travail ou de stockage.

Cadran de réglage de la vitesse du système de projection à vis sans fin

Règle la vitesse du système de vis sans fin (tarière) qui détermine la distance de projection.

Poignée de rotation de la goulotte

Fait pivoter la goulotte afin que l'utilisateur puisse diriger la neige déchargée comme il le souhaite. La poignée permet de faire pivoter la goulotte de 90° à gauche jusqu'à 90° à droite.

Poignée du déflecteur de la goulotte

Règle l'angle du déflecteur de la goulotte qui détermine la hauteur du jet de décharge et, en partie, la distance de projection.

Phares à DEL

Les phares à DEL sont situés sur le devant de l'appareil. Cette fonctionnalité fournit une lumière supplémentaire pour une visibilité accrue.

Poignée chauffée

La zone de la poignée peut être chauffée en appuyant sur l'interrupteur de chauffage de la poignée, afin de fournir de la chaleur aux mains de l'opérateur.

ASSEMBLAGE

⚠ AVERTISSEMENT : Pour empêcher une mise en marche accidentelle pouvant causer des blessures graves, retirez toujours les blocs-piles de l'appareil avant d'assembler des pièces.

⚠ AVERTISSEMENT : S'il y a des pièces manquantes ou endommagées, ne tentez pas d'utiliser ce produit tant que ces pièces n'auront pas été remplacées. Le fait d'utiliser cet article avec des pièces endommagées ou manquantes pourrait entraîner des blessures graves.

⚠ AVERTISSEMENT : Cadran de réglage de la vitesse du système de projection à vis sans fin Règle la vitesse du système de vis sans fin (tarière) qui détermine la distance de projection.

DÉBALLAGE

- Ce produit nécessite un assemblage.
- Saisissez la poignée arrière et la partie avant de l'appareil en même temps et soulevez l'outil avec précaution pour le retirer de son emballage. Retirez tous les autres accessoires de l'emballage. Assurez-vous que toutes les pièces mentionnées sur la liste des pièces sont présentes.

⚠ AVERTISSEMENT : N'utilisez pas ce produit si des pièces figurant sur la liste des pièces contenues dans l'emballage sont déjà assemblées sur votre produit au moment où vous le déballez. Les pièces figurant sur cette liste n'ont pas été assemblées au produit par le fabricant et devront être installées par le client. L'utilisation d'un article qui pourrait avoir été mal assemblé pourrait entraîner des blessures graves.

- Inspectez attentivement l'outil pour vous assurer qu'aucun dommage ou bris de pièce(s) ne s'est produit pendant le transport.
- Ne jetez pas le matériel d'emballage avant d'avoir inspecté soigneusement la souffleuse et de l'avoir fait fonctionner de manière satisfaisante.
- S'il y a des pièces manquantes ou endommagées, veuillez retourner le produit à l'endroit où vous l'avez acheté.

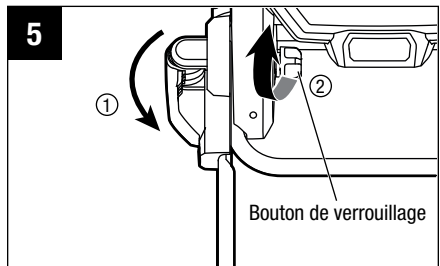
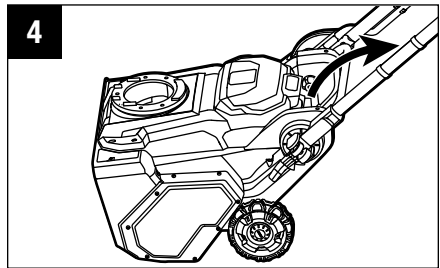
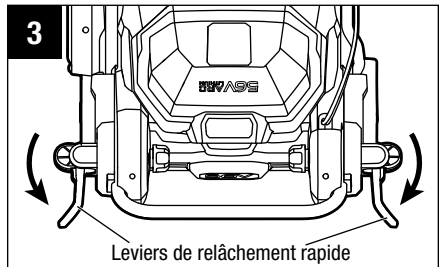
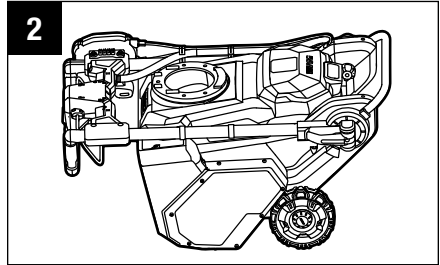
LISTE DES PIÈCES

NOM DE LA PIÈCE	QUANTITÉ
Souffleuse à neige	1
Goulotte d'évacuation	1
Guide d'utilisation	1
Clé hexagonale	1

DÉPLIEMENT DES PANNEAUX LATÉRAUX

⚠ AVERTISSEMENT : N'essayez pas de faire démarrer la souffleuse à neige lorsque les rails latéraux sont rabattus.

1. Votre souffleuse à neige est expédiée avec les rails latéraux en position pliée verrouillée (Fig. 2).
2. Ouvrez les leviers de relâchement rapide des deux côtés et faites pivoter doucement les rails latéraux vers le haut jusqu'à ce qu'ils s'arrêtent (Fig. 3 & 4).
3. Fermez les leviers de relâchement rapide, puis serrez les boutons de verrouillage pour fixer les rails latéraux en place (Fig. 5).

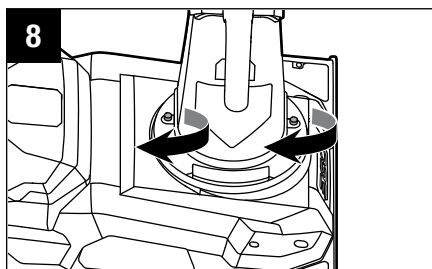
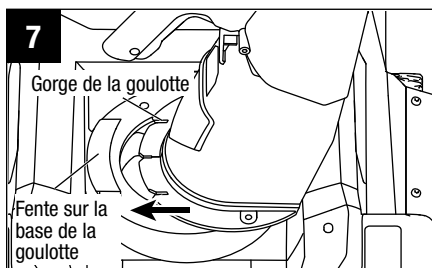
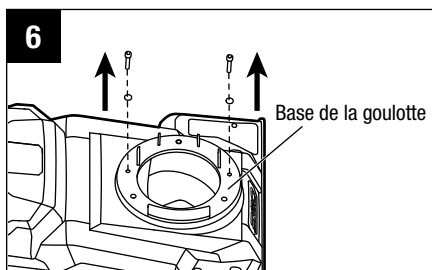


INSTALLATION DE LA GOULOTTE DE DÉCHARGE

1. Utilisez la clé hexagonale fournie pour desserrer et retirer les deux jeux de boulons et de rondelles de la base de la goulotte de décharge (Fig. 6).
2. Alignez les rainures de la goulotte de décharge sur la fente de la base de la goulotte, puis poussez la goulotte en place (Fig. 7).
3. Utilisez la clé hexagonale pour verrouiller la goulotte en place avec les deux jeux de boulons et de rondelles (Fig. 8).

⚠ AVERTISSEMENT : En utilisant la poignée de rotation de la goulotte située devant la position de l'opérateur, assurez-vous que la goulotte tourne correctement, de telle sorte que l'ouverture de décharge ne croise jamais les commandes de l'opérateur.

⚠ AVERTISSEMENT : N'utilisez jamais la souffleuse à neige sans que la goulotte de décharge complète ne soit en place.



OPÉRATION

⚠ AVERTISSEMENT : Même si vous connaissez parfaitement la souffleuse, soyez vigilant. Gardez en tête qu'il suffit d'être négligent une fraction de seconde pour se blesser gravement.

⚠ AVERTISSEMENT : Portez toujours des lunettes de sécurité marquées comme étant conformes à la norme ANSI Z87.1, ainsi que des protège-oreilles. Si vous ne portez pas ces dispositifs de protection, vous pourriez subir des blessures graves, y compris par la projection d'objets dans vos yeux.

⚠ AVERTISSEMENT : N'utilisez pas de pièces ni d'accessoires qui ne sont pas recommandés par le fabricant de ce produit. L'utilisation de pièces ou d'accessoires non recommandés peut causer des blessures graves.

APPLICATION

Vous pouvez utiliser ce produit pour faire ce qui suit :

- Enlever la neige des zones telles que les allées et les trottoirs.

ATTACHEMENT/DÉTACHEMENT DU BLOC-PILES

Chargez le bloc-piles avant de vous en servir pour la première fois !

REMARQUE : La souffleuse à neige peut fonctionner avec une ou deux piles. L'utilisation de deux piles vous permet de bénéficier d'une plus grande autonomie et d'un prélèvement d'énergie efficace géré par la technologie PEAK POWER™. Pour obtenir de meilleures performances, nous recommandons l'utilisation de deux blocs-piles de 5,0 Ah ou plus.

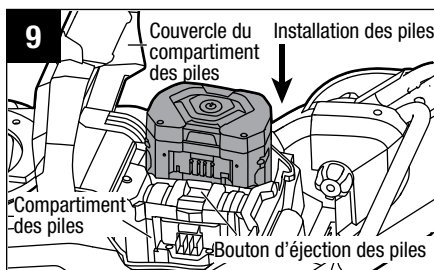
Quand ils ne sont pas utilisés, les blocs-piles de 56 V doivent être rangés dans un endroit fermé où la température ne descendra pas au-dessous de -20° C / -4° F. Les températures de charge optimales sont comprises entre 5° C et 40° C / 41° F et 104° F.

⚠ AVERTISSEMENT : Si de quelconques pièces sont cassées ou manquantes, ne tentez pas d'attacher les blocs-piles à la souffleuse à neige ou de faire fonctionner la souffleuse avant que les pièces cassées ou manquantes n'aient été remplacées. Si vous ne respectez pas cette consigne, vous risqueriez de causer des blessures graves.

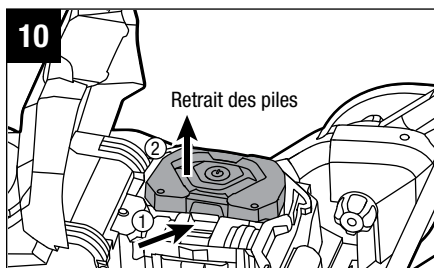
1. Le couvercle du compartiment piles est articulé. Levez le couvercle du compartiment des piles en soulevant le devant du couvercle.

2. La souffleuse à neige est dotée d'un double compartiment à piles, qui permet d'utiliser deux blocs-piles en même temps.

3. Alignez les rainures dans le bloc-piles sur les nervures du compartiment des piles, puis insérez le bloc-piles dans le compartiment (Fig. 9).



4. Enfoncez le bloc-piles jusqu'à ce que vous entendiez un déclic. Le bouton d'éjection des piles rebondira une fois que le bloc-piles aura été attaché de façon sécurisée.



AVIS : Assurez-vous que le loquet de verrouillage du bloc-piles se met bien en place et que le bloc-piles est bien assujéti à la machine avant de commencer à l'utiliser.

5. Attachez l'autre bloc-piles dans l'autre compartiment des piles de la même manière.

6. **Pour retirer le bloc-piles**, appuyez sur le bouton d'éjection des piles pour relâcher le bloc-piles, puis tirez dessus pour le faire sortir du compartiment (Fig. 10).

7. Rabattez le couvercle du compartiment des piles.

DÉMARRAGE ET ARRÊT DE LA SOUFFLEUSE À NEIGE

ATTENTION : Ne tentez pas de désactiver le fonctionnement du bouton de sécurité et de l'interrupteur à levier.

AVERTISSEMENT : L'utilisation d'une souffleuse à neige peut entraîner la projection de corps étrangers dans vos yeux ou dans les yeux d'autres personnes et ainsi causer des lésions oculaires graves. Portez toujours des lunettes de sécurité lorsque vous utilisez la souffleuse à neige ou lorsque vous effectuez des réglages ou des réparations sur l'appareil.

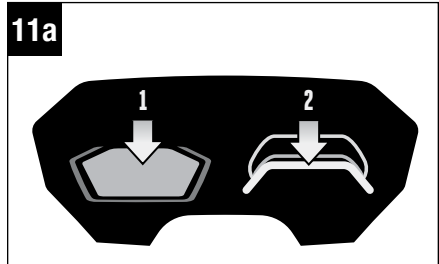
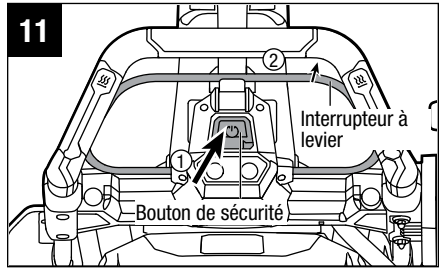
⚠ AVERTISSEMENT : Assurez-vous que les personnes et les animaux restent à au moins 30 m (100 pi) de la souffleuse à neige lorsqu'elle est en cours d'utilisation.

⚠ AVERTISSEMENT : Une fois que vous aurez éteint la souffleuse à neige, la vis sans fin continuera à tourner pendant quelques secondes. Laissez la vis sans fin s'arrêter avant de la redémarrer.

AVIS : Évitez de mettre en marche et d'éteindre rapidement la souffleuse à neige.

Pour faire démarrer la souffleuse à neige

1. Assurez-vous que les rails latéraux sont bien verrouillés en position dépliée et ouverte.
2. Attachez le ou les bloc(s)-piles dans la souffleuse à neige et fermez le couvercle du compartiment des piles. Reportez-vous au chapitre intitulé « **ATTACHEMENT/ DÉTACHEMENT DU BLOC-PILES** ».
3. Mettez la souffleuse à neige sous tension en appuyant sur le bouton de sécurité.
4. Appuyez sur le bouton de sécurité et, tout en maintenant le bouton enfoncé, tirez sur l'interrupteur à levier (vers le haut) pour entrer en contact avec la poignée principale (Fig. 11 & 11a).



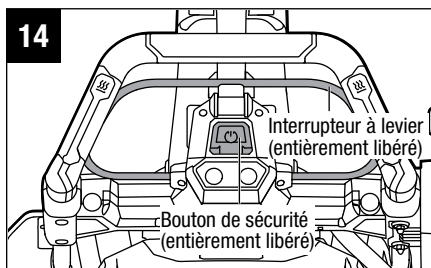
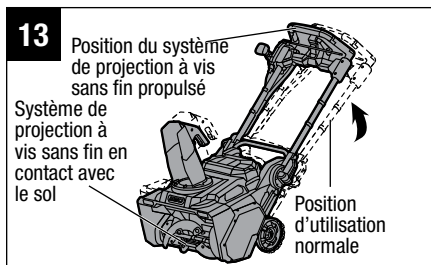
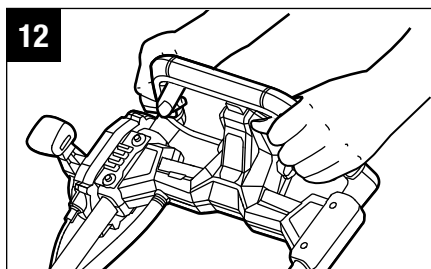
- Une fois que le système de projection à vis sans fin démarre, relâchez le bouton de sécurité et commencez à travailler (Fig. 12).
- Pour avancer**, soulevez la poignée principale pour permettre au système de projection à vis sans fin de toucher le sol (Fig. 13). La traction de la vis sans fin aidera à faire avancer la souffeuse à neige.

AVIS : Pour mettre l'outil en marche, il faut d'abord appuyer sur le bouton de sécurité, puis comprimer l'interrupteur à levier. L'opération inverse ne permet pas de faire démarrer l'outil.

AVIS : La souffeuse à neige peut ne pas démarrer correctement si la température de la pile est inférieure ou égale à -20°C (-4°F). Si la souffeuse à neige ne démarre pas, retirez la pile de la souffeuse et laissez-la se réchauffer à l'intérieur pendant 10 minutes ou plus. Réinstallez la pile et réessayez.

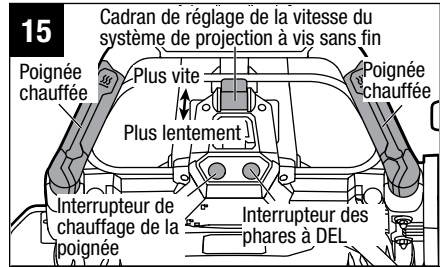
Pour arrêter la souffeuse à neige

- Relâchez complètement l'interrupteur à levier (Fig. 14).
- Le frein électrique du mécanisme de freinage automatique arrêtera la rotation de la vis sans fin dans les trois secondes suivant le relâchement de l'interrupteur à levier.



Système de projection à vis sans fin à vitesse variable (Fig. 15)

La vitesse de rotation de la vis sans fin détermine la distance de projection. La vitesse de la vis sans fin est variable et peut être réglée à l'aide du cadran de réglage de la vitesse de la vis sans fin.



1. Pour augmenter la vitesse, tournez la molette de contrôle de la vitesse de la vis sans fin dans le sens opposé à celui de l'opérateur.
2. Pour diminuer la vitesse, tournez la molette de contrôle de la vitesse de la vis sans fin dans le sens de l'opérateur.

Poignée chauffée (Fig. 15)

La zone de la poignée peut être chauffée pour chauffer vos mains.

⚠ AVERTISSEMENT : Assurez-vous que le revêtement en caoutchouc est intact au niveau des zones chauffées de la poignée avant de mettre en marche le chauffage de la poignée. Une peau non protégée peut subir des brûlures au contact des éléments chauffants exposés.

1. Appuyez sur l'interrupteur de chauffage de la poignée pour chauffer la zone de la poignée. Le voyant de l'interrupteur s'allume lorsque le chauffage est en marche.
2. Appuyez à nouveau sur l'interrupteur de chauffage à poignée pour arrêter le chauffage. Le voyant de l'interrupteur devrait alors s'éteindre.

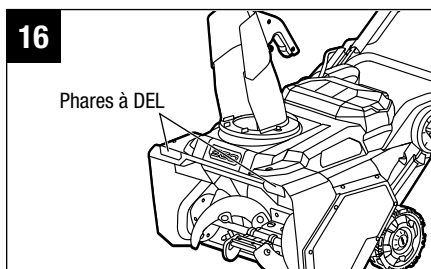
REMARQUE : Lorsque le chauffage est activé, la température de la poignée chauffée est maintenue entre 35° C (95° F) et 55° C (131° F).

REMARQUE : Le chauffage s'éteint automatiquement lorsque la souffleuse à neige est inactive pendant 10 minutes pour préserver la charge de la batterie.

PHARES À DEL (Fig. 15 & 16)

Les phares à DEL sont situés sur le devant de la souffleuse à neige.

1. Pour allumer les phares, appuyez sur le bouton des phares à DEL. Les phares projettent une lumière vive devant la souffleuse à neige.
2. Pour éteindre les phares, appuyez de nouveau sur le bouton des phares à DEL.



REMARQUE : Il n'y a pas de témoin lumineux d'interrupteur pour indiquer si les phares à DEL sont allumés ou éteints.

REMARQUE : Les phares à DEL s'éteindront automatiquement au bout de cinq minutes d'inactivité de la souffleuse à neige afin de préserver la charge de la pile.

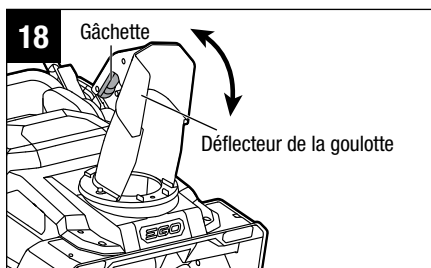
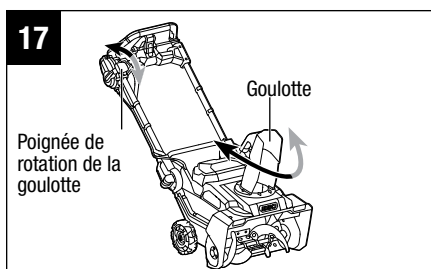
RÉGLAGE DE LA GOULOTTE

Vous pouvez ajuster la goulotte pour changer la direction de l'éjection de la neige et la distance de projection. Cela vous aide lorsque vous déplacez de la neige d'une zone vers une autre.

La **direction** de l'éjection de la neige est réglable jusqu'à 180 degrés (Fig. 17).

1. Poussez la poignée de rotation de la goulotte vers l'avant pour faire pivoter la goulotte vers la gauche.
2. Tirez la poignée de rotation de la goulotte vers l'arrière pour faire pivoter la goulotte vers la droite.

La **distance de projection** de la souffleuse à neige est déterminée en partie par l'angle d'inclinaison du déflecteur de la goulotte (Fig. 18).



⚠ AVERTISSEMENT : N'effectuez pas de réglage du déflecteur de la goulotte lorsque l'interrupteur à levier est engagé. Relâchez toujours l'interrupteur à levier avant d'effectuer un réglage du déflecteur de la goulotte.

1. Pour augmenter la distance de projection de la neige, appuyez sur la gâchette de la poignée du déflecteur de la goulotte, puis relevez le déflecteur de la goulotte. Relâchez la gâchette de la poignée du déflecteur de la goulotte pour verrouiller le déflecteur de la goulotte en place (Fig. 18).
2. Pour diminuer la distance de projection de la neige, il suffit d'abaisser le déflecteur à l'aide de la poignée du déflecteur de la goulotte.

⚠ AVERTISSEMENT : Ne forcez pas la goulotte si loin vers l'avant qu'un espace apparaîtrait entre le déflecteur et la goulotte elle-même. La neige ou d'autres débris pourraient être projetés par l'interstice et revenir sur l'opérateur, ce qui pourrait entraîner des blessures graves.

DÉGAGEMENT D'UNE GOULOTTE BOUCHÉE

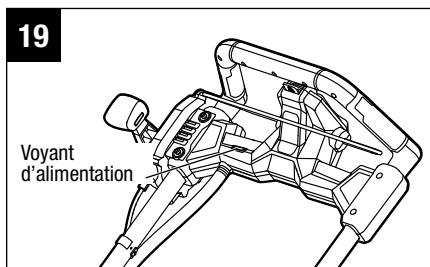
⚠ AVERTISSEMENT : Le contact des mains avec la vis sans fin en rotation à l'intérieur de la goulotte est la cause la plus fréquente des blessures associées aux souffleuses à neige. N'utilisez jamais votre main pour dégager la goulotte.

Pour dégager la goulotte :

1. Arrêtez le moteur et le système de projection à vis sans fin !
2. Retirez le ou les bloc(s)-piles de la souffleuse à neige.
3. Attendez 10 secondes pour vous assurer que la vis sans fin a cessé de tourner.
4. Utilisez toujours un outil de nettoyage, comme une tige en bois ou d'autres outils de nettoyage disponibles dans le commerce n'utilisez pas votre main.

INDICATEUR D'ÉTAT DE CHARGE DE LA SOUFFLEUSE À NEIGE (Fig. 19)

La souffeuse à neige est équipée d'un indicateur de charge de la souffeuse qui indique le niveau de charge du ou des bloc(s)-piles et l'état de charge de la souffeuse à neige. Le témoin d'indication de charge s'allume uniquement lorsque la souffeuse à neige est mise en marche.



INDICATEUR D'ÉTAT DE CHARGE	SIGNIFICATION	ACTION
Clignotant en vert	Le bouton de sécurité est enfoncé, et la souffeuse à neige est sous tension et prête à fonctionner. Chaque bloc-piles inséré a au moins 15 % de sa charge.	n/a
Vert brillant	La souffeuse à neige fonctionne correctement, et chaque bloc-piles a au moins 15 % de sa charge.	n/a
Clignotant en rouge	Le niveau de charge du ou des bloc(s)-piles est faible. La vis sans fin ne tourne pas, mais la fonction de chauffage et les phares à DEL pourraient être allumés pendant un court instant.	Arrêtez la souffeuse à neige et chargez le(s) bloc-piles(s).
Orange brillant	La souffeuse à neige est en état de surchauffe.	Arrêtez la souffeuse à neige et attendez un certain temps pour que la machine refroidisse.

Clignotant en orange	La souffleuse à neige est en état de surchauffe.	Retirez le(s) bloc(s)-piles. Inspectez la souffleuse et dégagez la neige qui s'est accumulée sous le système de protection à vis sans fin ou qui s'y est logée. Ralentissez votre rythme ou réduisez la largeur de l'andain de déneigement lorsque vous travaillez.
Clignotant en rouge et vert en alternance	Erreur de communication.	Contactez un Centre de service après-vente EGO pour la réparation.
Aucune indication	Si le voyant DEL d'un ou des deux blocs-piles clignote en orange ou brille en rouge, cela signifie que le ou les bloc(s)-piles sont en état de surchauffe.	Arrêtez la souffleuse à neige et laissez le bloc-piles refroidir.
	Autres défauts : interrupteur, lumière, etc.	Contactez un Centre de service après-vente EGO pour la réparation.

PROTECTION CONTRE LA SURCHARGE DE LA SOUFFLEUSE À NEIGE

Pour éviter tout risque de surcharge, n'essayez pas de retirer trop de neige en une seule fois. Ralentissez votre rythme ou diminuez la largeur de l'andain de déneigement.

Votre souffleuse à neige possède des éléments intégrés de détection de surcharge. Lorsque la souffleuse à neige est surchargée, le moteur diminue automatiquement la vitesse et vous entendrez le niveau sonore du moteur diminuer. En cas de surcharge, ralentissez votre rythme ou réduisez la largeur de déblaiement, après quoi la vitesse du moteur reprendra automatiquement son réglage normal. Si ce remède ne résout pas la situation de surcharge, le capteur arrête automatiquement le moteur et le témoin d'indicateur d'état de charge clignote en orange. Retirez le ou les bloc(s)-piles de la souffleuse à neige. Vérifiez si de la neige ou de la glace est coincée dans le système de projection à vis sans fin et le châssis, et utilisez un outil de nettoyage pour les dégager si nécessaire. Réinstallez le ou les bloc(s)-piles et redémarrez la souffleuse à neige.

PROTECTION CONTRE LES HAUTES TEMPÉRATURES DES PILES

Si la température des piles dépasse 70° C / 158° F pendant le fonctionnement, le circuit de protection contre les températures élevées éteint immédiatement la souffleuse à neige pour protéger les blocs-piles contre les dommages causés par la chaleur. L'indicateur d'état de charge de la souffleuse à neige est éteint et le voyant à DEL sur le bloc-piles clignote en orange ou brille en rouge.

REMARQUE : Le voyant de l'indicateur à DEL sur les modèles de blocs-piles suivants clignotera en orange en cas de surchauffe : BA1400-FC, BA2240, BA2800, BA2800-FC, BA4200 et BA4200-FC les DEL sur les modèles de blocs-piles suivants s'allumeront et brilleront en rouge en cas de surchauffe : BA1400T, BA1400T-FC, BA2240T, BA2240T, BA2240T-FC, BA2242T, BA2800T, BA2800T-FC, BA4200T, BA4200T-FC, BA5600T, BA5600T-FC, BA6720T et BA6720T-FC.

Relâchez l'interrupteur à levier et attendez que le(s) bloc(s)-piles surchauffé(s) refroidisse(nt) et que le témoin de l'indicateur à DEL des piles devienne vert, puis redémarrez la souffleuse à neige.

Pour éviter un arrêt dû au système de protection contre les températures élevées des piles, n'essayez pas d'utiliser une seule pile pour alimenter la souffleuse à neige lorsque l'épaisseur de la neige accumulée dépasse 75 mm / 3 po ou lorsque la neige est très humide ou glacée. Nous recommandons l'utilisation de deux piles fonctionnant simultanément. Cela permet d'atteindre la puissance maximale de la souffleuse à neige.

Après l'activation du système de protection contre les températures élevées, ralentissez votre allure et réduisez la largeur de l'andain de déneigement afin de réduire la charge sur la pile.

CONSEILS D'UTILISATION

⚠ DANGER : N'utilisez jamais une souffleuse à neige sur des rivières ou des lacs gelés, ou sur des surfaces similaires. Des blessures graves ou la mort pourraient survenir si la glace cède.

⚠ DANGER : N'utilisez jamais la souffleuse à neige sur un toit ou sur toute autre surface instable, car cela pourrait entraîner des blessures graves ou la mort.

⚠ AVERTISSEMENT : N'utilisez pas la souffleuse à neige sur une surface verglacée, car vous pourriez glisser et tomber, ce qui pourrait éventuellement vous causer des blessures graves.

⚠ AVERTISSEMENT : Ne portez pas de vêtements amples, de foulard ni de bijoux qui peuvent s'accrocher. Ceux-ci risquent de se prendre dans les pièces mobiles et entraîner des blessures graves ou la mort.

⚠ AVERTISSEMENT : Dirigez la projection de la neige loin de tout appareil électrique afin de réduire les risques d'électrocution.

⚠ AVERTISSEMENT : Ne dirigez jamais la souffleuse à neige ou la goulotte vers des personnes ou des animaux. De la neige ou d'autres objets projetés peuvent causer des blessures graves.

⚠ AVERTISSEMENT : Assurez-vous que la surface à déneiger est exempte de pierres, de branches, de fils, de gravier et d'autres objets qui pourraient être accidentellement projetés par la souffleuse à neige dans n'importe quelle direction et causer de graves blessures à l'opérateur ou à d'autres personnes.

- Si l'appareil est en contact avec tout type d'obstacles ou de débris pendant l'utilisation, arrêtez la souffleuse à neige, retirez les blocs-piles, éliminez l'obstruction et inspectez soigneusement l'appareil avant de reprendre le déneigement.

⚠ AVERTISSEMENT : Ne touchez pas l'intérieur de la goulotte d'éjection et ne placez aucune partie de votre corps devant la souffleuse à neige lorsque l'appareil est en marche ou lorsque les blocs-piles sont installés. Assurez-vous toujours que toutes les pièces mobiles ont cessé de bouger et que les blocs-piles ont été retirés avant de débloquer toute obstruction. Le non-respect de ces instructions peut entraîner des blessures graves.

- Prenez note de la direction du vent avant de commencer. Lorsque cela est possible, projetez la neige dans le sens du vent pour empêcher qu'elle ne vous revienne dans le visage.
- Certaines pièces de la souffleuse à neige peuvent geler dans des conditions météorologiques extrêmes. Ne tentez pas de faire fonctionner cette unité avec des pièces gelées.
- Lorsque vous avez terminé, laissez le moteur tourner pendant encore quelques minutes afin d'éviter que des pièces mobiles ne gèlent, puis déplacez la poignée de rotation de la goulotte plusieurs fois dans un mouvement de va-et-vient pour dégager toute accumulation de glace. Assurez-vous d'enlever toute la neige et toute la glace de la base de la goulotte.
- Dans des conditions de neige et de froid, certaines commandes et pièces mobiles peuvent geler. N'utilisez pas de force excessive lorsque vous essayez d'actionner les commandes gelées. Si vous avez des difficultés à faire fonctionner une commande ou une pièce, faites démarrer la souffleuse à neige en suivant les instructions de la section intitulée « **DÉMARRAGE/ARRÊT DE LA SOUFFLEUSE À NEIGE** » et laissez-la fonctionner pendant quelques minutes.

ENTRETIEN

⚠ AVERTISSEMENT : Pour éviter des blessures graves, retirez toujours le bloc-piles de la souffleuse à neige lorsque vous la nettoyez ou quand vous effectuez des travaux de maintenance.

⚠ AVERTISSEMENT : Lors de toute réparation, n'utilisez que des pièces de rechange identiques. L'utilisation de toutes autres pièces de rechange pourrait créer un danger ou endommager le produit. Pour assurer la sécurité et la fiabilité, toutes les réparations doivent être effectuées par un technicien de service qualifié.

AVIS : Inspectez périodiquement l'intégralité du produit pour vous assurer qu'il n'y a pas de pièces endommagées, manquantes ou desserrées comme des vis, des écrous, des boulons, des capuchons, etc. Serrez à fond tous les dispositifs de fixation et capuchons, et ne vous servez pas de ce produit avant que toutes les pièces manquantes ou endommagées aient été remplacées.

MAINTENANCE GÉNÉRALE

Évitez d'utiliser des solvants lorsque vous nettoyez des pièces en plastique. La plupart des plastiques sont susceptibles d'être endommagés par divers types de solvants commerciaux, et ils pourraient l'être si vous les utilisez. Utilisez des chiffons propres pour retirer les saletés, la poussière, l'huile, la graisse, etc.

⚠ AVERTISSEMENT : Ne laissez jamais de liquide de frein, d'essence, de produits à base de pétrole, d'huiles pénétrantes, etc. entrer en contact avec des composants en plastique. Les produits chimiques peuvent endommager, affaiblir ou détruire le plastique, ce qui pourrait causer des blessures graves.

LUBRIFICATION DE LA MACHINE

Tous les roulements de ce produit sont lubrifiés avec une quantité suffisante de lubrifiant de haute qualité pour la durée de vie de la machine si elle est utilisée dans des conditions de fonctionnement normales. Par conséquent, aucune lubrification supplémentaire des roulements n'est nécessaire.

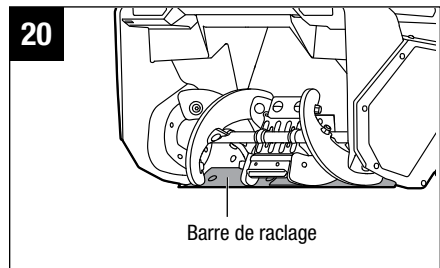
REPLACEMENT DE LA BARRE DE RACLAGE

⚠ AVERTISSEMENT : N'oubliez pas de mettre la souffleuse à neige hors tension et de retirer le ou les blocs-piles avant d'effectuer une quelconque tâche de maintenance sur votre souffleuse à neige.

Outils nécessaires (non inclus) :

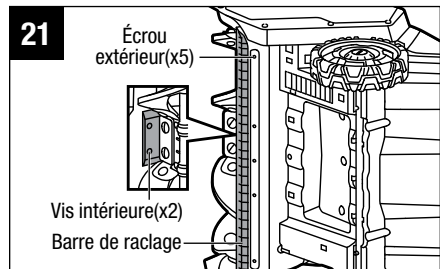
- Clé à fourche de 8 mm / 5/16 po
- Tournevis Torx T20

1. La barre de raclage est située au bas de la souffleuse à neige, sous le système de projection à vis sans fin (Fig. 20).

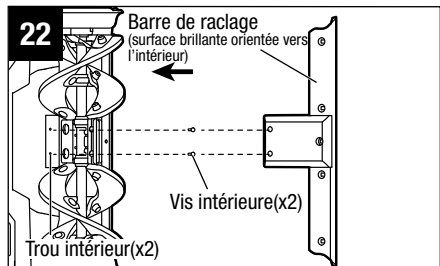


2. Tournez la souffleuse à neige sur le côté (Fig. 21).

3. Portez des gants afin de réduire le risque de blessure. Retirez les 5 jeux d'écrous, de rondelles de ressort et de boulons depuis l'extérieur, et retirez les 2 vis Torx depuis l'intérieur. Détachez la barre de raclage usée de la souffleuse à neige (Fig. 21).



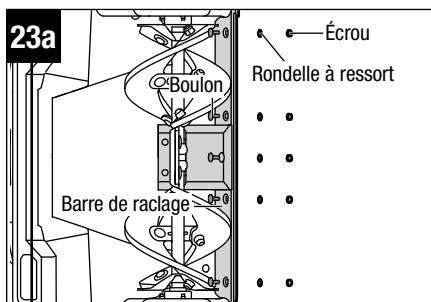
4. Fixez la nouvelle barre de raclage sur la souffleuse à neige, la surface brillante étant orientée vers l'intérieur du châssis (Fig. 22).



5. Alignez les trous de montage de la barre de raclage sur les trous du châssis en acier. Insérez les 2 vis Torx dans les trous de fixation depuis la surface brillante intérieure de la barre de raclage, et serrez-les (Fig. 22).

Alignez les trous de montage de la barre de raclage sur les trous du châssis en acier. Insérez les 2 vis Torx dans les trous de fixation depuis la surface brillante intérieure de la barre de raclage, et serrez-les (Fig. 22).

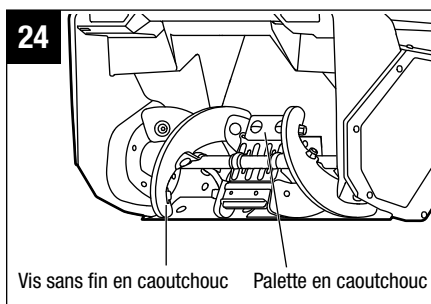
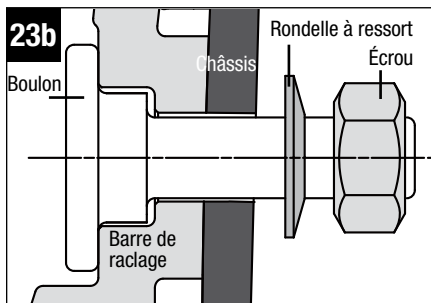
6. Insérez les 5 boulons dans les trous de montage depuis la surface intérieure brillante de la barre de raclage (Fig. 23a). Placez les rondelles élastiques et les écrous sur les boulons (depuis l'extérieur du châssis) et fixez solidement la barre de raclage au châssis (Fig. 23b).



REPLACING THE RUBBER PADDLES & RUBBER AUGERS (Fig. 24)

Si les palettes et les vis sans fin en caoutchouc sont usées, excessivement fissurées, effilochées ou autrement endommagées, remplacez-les.

⚠ AVERTISSEMENT : N'oubliez pas de mettre la souffleuse à neige hors tension et de retirer le ou les blocs-piles avant d'effectuer une quelconque tâche de maintenance sur votre souffleuse à neige.



Pour remplacer les palettes en caoutchouc : (Fig. 24a)

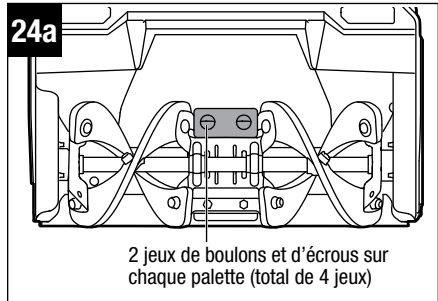
Outils nécessaires (non inclus) :

- Tournevis à tête plate.
- Clé à fourche de 10 mm / 13/32 po

1. Portez des gants. Faites tourner à la main la vis sans fin en acier pour la mettre dans la position appropriée afin de faciliter le démontage de la palette en caoutchouc.

2. Retirez tous les boulons et écrous de fixation pour pouvoir enlever les palettes en caoutchouc.

3. Remplacez-les par de nouvelles palettes en caoutchouc, et serrez-les à fond.



Pour remplacer les vis sans fin en caoutchouc : (Fig. 24b)

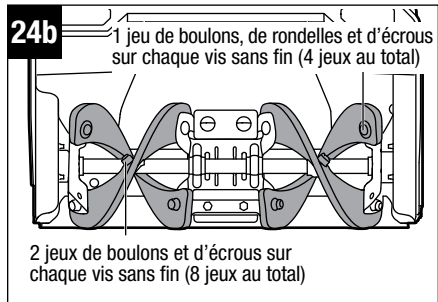
Outils requis :

- Clé à fourche de 13 mm / 17/32 (non incluse)
- Clé hexagonale de 5 mm / 3/16 po (fournie)

1. Portez des gants. Faites tourner à la main la vis sans fin de la tarière pour la mettre dans la position appropriée afin de faciliter le démontage de la vis sans fin en caoutchouc.

2. Retirez tous les boulons et écrous de fixation pour enlever les vis sans fin en caoutchouc.

3. Remplacez-les par de nouvelles palettes en caoutchouc, et serrez-les à fond.



REPLACEMENT DE LA COURROIE D'ENTRAÎNEMENT

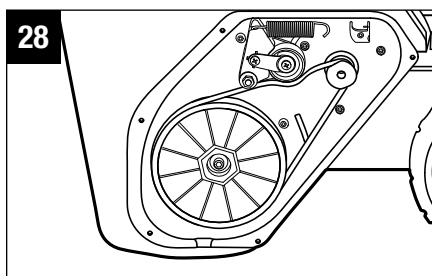
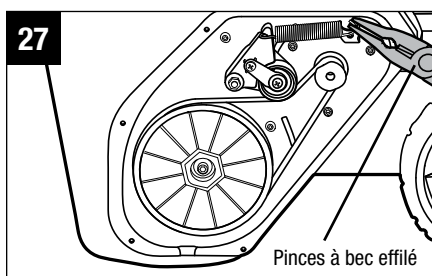
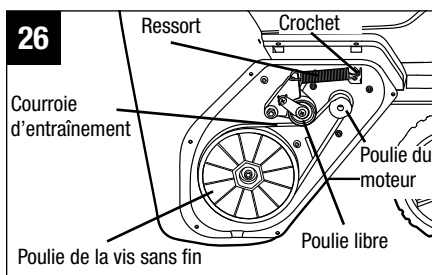
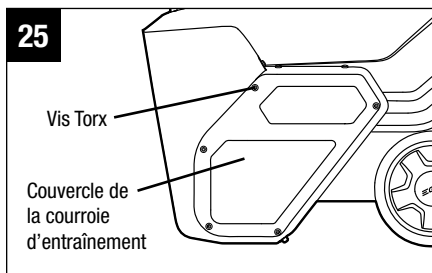
Si la courroie d'entraînement est usée, imbibée d'huile, excessivement fissurée, effilochée ou autrement endommagée, remplacez-la.

⚠ AVERTISSEMENT : N'oubliez pas de mettre la souffleuse à neige hors tension et de retirer le ou les blocs-piles avant d'effectuer une quelconque tâche de maintenance sur votre souffleuse à neige.

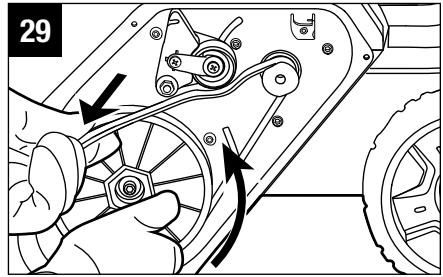
Outils nécessaires (non inclus) :

- Tournevis Torx T20
- Pince à bec effilé

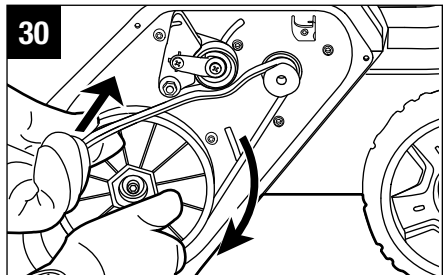
1. Utilisez un tournevis Torx T20 (non fourni) pour retirer le cache de la courroie d'entraînement en enlevant les 9 vis Torx comme illustré à la Fig. 25.
2. À l'aide d'une pince à bec effilé (non fournie), retirez le ressort du crochet pour relâcher la tension de la courroie (Fig. 27 & 28).



3. Retirez la courroie d'entraînement en tournant lentement la poulie de la vis sans fin dans le sens inverse des aiguilles d'une montre tout en tirant la courroie vers l'extérieur (Fig. 29).
4. Installez la nouvelle courroie d'entraînement en la faisant tourner sur les poulies (Fig. 30).



Suggestions : Faites tourner la nouvelle courroie d'entraînement d'abord autour de la poulie du moteur, puis de la poulie de renvoi, et enfin autour de la poulie de la vis sans fin. Tournez lentement la poulie de la vis sans fin dans le sens des aiguilles d'une montre pour entraîner la courroie vers l'intérieur (Fig. 26).



5. Utilisez une pince à bec effilé (non fournie) pour installer le ressort sur le crochet afin de tendre la courroie d'entraînement (Fig. 27).
6. Réinstallez le cache de la courroie d'entraînement et fixez-le avec les 9 vis Torx retirées lors de l'étape 1 (Fig. 25).

RANGEMENT LA SOUFFLEUSE À NEIGE

⚠ MISE EN GARDE : Assurez-vous que toute la neige fondue qui peut tomber de la souffleuse à neige est correctement essuyée pour éviter tout risque de glissade et de chute.

- Retirez le(s) bloc(s)-piles et rangez-les dans un endroit sûr, hors de portée des enfants.

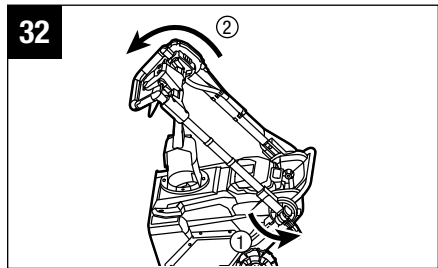
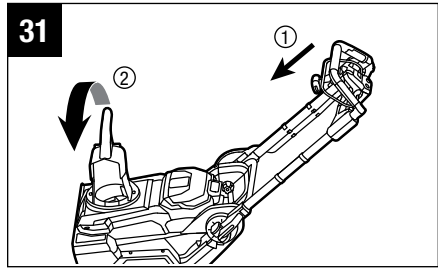
REMARQUE : Quand elles ne sont pas utilisées, les piles de 56 V doivent être rangées dans un endroit fermé où la température ne descendra pas au-dessous de -20° C / -4° F. Les températures de charge optimales sont entre 5° C et 40° C / 41° F et 104° F.

Avant de ranger la souffleuse, éliminez toute trace d'humidité, de saleté ou de débris du compartiment des piles et de ses environs.

- Essuyez la souffleuse à neige avec un chiffon propre et sec.
- Vérifiez le serrage de tous les écrous, boulons, boutons, vis, etc.
- Inspectez les pièces mobiles pour vérifier qu'elles ne sont pas endommagées, cassées ou usées. Faites réparer les pièces endommagées ou manquantes.
- Rabattez les rails latéraux en position de rangement.
- Rangez la souffleuse à neige dans un endroit propre, sec et fermé, hors de portée des enfants.
- Ne la rangez pas à côté de matériaux corrosifs tels que des engrais ou du sel gemme.

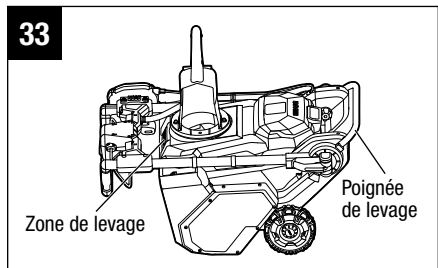
REPLIEMENT DES RAILS LATÉRAUX

1. Poussez la poignée de rotation de la goulotte à fond vers l'avant afin que la goulotte soit orientée vers la gauche, ce qui évitera toute interférence lors du repliement. Appuyez sur la gâchette de la poignée du déflecteur de la goulotte pour l'incliner complètement vers le bas (Fig. 31).
2. Ouvrez les leviers de fixation rapide des deux côtés pour replier les rails latéraux en position de rangement (Fig. 32).



SOULÈVEMENT ET TRANSPORT DE LA SOUFFLEUSE À NEIGE

1. Retirez le(s) bloc(s)-piles.
2. Pliez les rails latéraux comme cela est décrit dans le chapitre précédent.
3. Soulevez et portez la souffleuse en saisissant d'une main la poignée de levage et de l'autre main la zone de levage située au-dessus de l'entrée de neige (juste en dessous du logo EGO) (Fig. 33).



⚠ AVERTISSEMENT : La souffleuse à neige est lourde ! Soulevez avec vos jambes – pas avec votre dos.

DÉPANNAGE

⚠ AVERTISSEMENT : Retirez toujours les blocs-piles avant de réparer ou de transporter la souffleuse à neige. Protégez toujours vos mains en portant des gants épais lorsque vous procédez à tout entretien de la vis sans fin ou de la barre de raclage de la souffleuse à neige.

PROBLÈME	CAUSE	SOLUTION
Les rails latéraux ne restent pas en position.	<ul style="list-style-type: none"> ■ Les boutons de verrouillage des rails latéraux et/ou des leviers à relâchement rapide ne sont pas sécurisés. 	<ul style="list-style-type: none"> ■ Assurez-vous que les boutons de verrouillage des rails latéraux sont complètement serrés et que les leviers de relâchement rapide sont entièrement fermés.
La souffleuse à neige ne démarre pas.	<ul style="list-style-type: none"> ■ Les piles sont presque déchargées. ■ La vis sans fin est gelée par la neige ou la glace. ■ Les piles du bloc-piles sont en état de surchauffe. Le voyant à DEL du ou des blocs-piles clignote en orange ou brille en rouge (voir la section intitulée « PROTECTION DES PILES CONTRE UNE SURCHAUFFE » de ce mode d'emploi.) ■ Des mesures incorrectes ont été prises pour mettre en marche la souffleuse à neige. 	<ul style="list-style-type: none"> ■ Rechargez la pile. ■ Retirez d'abord le ou les blocs-piles, puis utilisez un outil de nettoyage pour dégager la neige ou la glace qui causent l'obstruction de la vis sans fin. Réinstallez les blocs-piles et faites redémarrer la souffleuse à neige. ■ Retirez le(s) bloc(s)-piles surchauffé(s) de la souffleuse à neige et attendez que le(s) bloc(s)-piles refroidisse(nt) jusqu'à environ 67° C / 152° F. Réinstallez le(s) bloc(s)-piles et faites redémarrer la souffleuse à neige. ■ (1) Appuyez sur le bouton de sécurité jusqu'à ce que le voyant d'indication d'état de charge clignote en vert. (2) Appuyez sur le bouton de et, tout en maintenant le bouton enfoncé, tirez sur l'interrupteur à levier (vers le haut) pour entrer en contact avec la poignée principale.

PROBLÈME	CAUSE	SOLUTION
La souffleuse à neige ne démarre pas.	<ul style="list-style-type: none"> ■ Problème non identifié 	<ul style="list-style-type: none"> ■ Contactez le Centre de service à la clientèle EGO si des réparations sont nécessaires.
Le moteur est en marche, mais la vis sans fin de la tarière ne tourne pas.	<ul style="list-style-type: none"> ■ La courroie d'entraînement est usée ou cassée. 	<ul style="list-style-type: none"> ■ Remplacez la courroie d'entraînement en suivant les instructions de la section intitulée « REMPLACEMENT DE LA COURROIE D'ENTRAÎNEMENT » de ce mode d'emploi.
Après son passage, la souffleuse laisse une couche de neige sur le sol.	<ul style="list-style-type: none"> ■ La barre de raclage est usée. 	<ul style="list-style-type: none"> ■ Remplacez le racleur en suivant les instructions de la section intitulée « REMPLACEMENT DE LA BARRE DE RACLAGE » de ce mode d'emploi.
La souffleuse projette moins de neige.	<ul style="list-style-type: none"> ■ Les palettes en caoutchouc sont usées. ■ La vitesse de rotation de la vis sans fin est peut-être trop faible. 	<ul style="list-style-type: none"> ■ Remplacez les palettes en caoutchouc en suivant les instructions de la section intitulée « REMPLACEMENT DES PALETTES EN CAOUTCHOUC » de ce mode d'emploi. ■ Augmentez la vitesse de la vis sans fin.
La vis sans fin de la tarière ne parvient pas à se mettre en mouvement et il faut un effort supplémentaire pour faire avancer la souffleuse à neige.	<ul style="list-style-type: none"> ■ Les vis sans fin en caoutchouc sont usées. 	<ul style="list-style-type: none"> ■ Remplacez les vis sans fin en caoutchouc en suivant les instructions de la section intitulée « REMPLACEMENT DES VIS SANS FIN EN CAOUTCHOUC » de ce mode d'emploi.

PROBLÈME	CAUSE	SOLUTION
La zone de la poignée n'est pas chauffée.	<ul style="list-style-type: none">■ La fonction de chauffage s'éteint automatiquement lorsque la souffleuse à neige est inactive pendant 10 minutes.	<ul style="list-style-type: none">■ Appuyez sur l'interrupteur de chauffage de la poignée pour relancer le chauffage.

GARANTIE

POLITIQUE D'EGO EN MATIÈRE DE GARANTIE

Garantie limitée de 5 ans sur les équipements d'alimentation électrique d'extérieur EGO POWER+ et les équipements d'alimentation électrique portable pour un usage personnel et domestique.

Garantie limitée de 3 ans sur les blocs-piles et chargeurs du système EGO POWER+ pour un usage personnel et domestique. Une extension de garantie supplémentaire de deux ans s'applique à la pile de 10,0 Ah/12,0 Ah, qu'elle soit vendue séparément (Modèle N° BA5600T/BA6720T) ou incluse avec un outil quelconque, à condition d'être enregistrée dans les 90 jours de l'achat. Garantie limitée de cinq ans sur le chargeur CHV1600, conçu pour être employé avec la tondeuse à conducteur porté à rayon de braquage zéro pour utilisation personnelle, résidentielle.

Garantie limitée de 2 ans/1 an sur les équipements d'alimentation électrique d'extérieur, les équipements d'alimentation électrique portables, les blocs-piles et les chargeurs EGO pour un usage professionnel et commercial.

La durée et les détails de la garantie de chaque produit sont indiqués en ligne à l'adresse <http://egopowerplus.com/warranty-policy>.

Veillez communiquer avec le service à la clientèle d'EGO au 1 855 EGO-5656 (numéro sans frais) pour toute question sur les réclamations au titre de la garantie.

GARANTIE LIMITÉE

Les produits EGO sont garantis contre tout défaut de matériel ou de fabrication à compter de la date d'achat d'origine pour la période de garantie applicable. Les produits défectueux recevront une réparation gratuite.

- Cette garantie s'applique uniquement à l'acheteur initial s'étant procuré le produit chez un détaillant EGO autorisé et est non transférable. La liste des détaillants EGO autorisés est publiée en ligne sur le site <http://egopowerplus.com/warranty-policy>.
- La période de garantie pour les produits remis en état ou certifiés par l'usine utilisés à des fins résidentielles est de 1 an, et de 90 jours lorsqu'ils sont utilisés à des fins industrielles, professionnelles ou commerciales.
- La période de garantie pour les pièces d'entretien de routine, telles que, mais sans s'y limiter, le siège de la tondeuse à conducteur porté, les roues, les pneus, les roues anti-scalp, le disque de frein, le bloc de friction, les lames, les têtes de coupe, les barres de chaîne, les chaînes de scie, les courroies, les barres de raclage, les palettes en caoutchouc, les tarières, les patins, les buses de soufflante et tous les autres accessoires EGO est de 90 jours à des fins résidentielles ou de 30 jours à des fins industrielles, professionnelles ou commerciales. Ces pièces sont couvertes pendant 90 ou 30 jours contre tout défaut de fabrication dans des conditions d'utilisation normales.

- d) La présente garantie n'est pas valide si le produit a été utilisé aux fins de location.
- e) La présente garantie ne couvre pas les dommages résultant d'une modification, d'une altération ou d'une réparation non autorisée.
- f) Cette garantie couvre uniquement les défauts survenant dans des conditions normales d'utilisation et ne couvre aucun dysfonctionnement ou défaut ni aucune défaillance découlant d'un usage inapproprié ou abusif (notamment la surcharge du produit et son immersion dans l'eau ou dans tout autre liquide), d'un accident, d'une négligence, d'une installation inadéquate et de tout entretien ou entreposage inadéquat.
- g) La présente garantie ne couvre pas la détérioration normale du fini extérieur, notamment les rayures, les bosselures, les craquelures de la peinture ou toute corrosion ou décoloration résultant de la chaleur, de produits abrasifs ou de nettoyeurs chimiques.

RÉCLAMATION AU TITRE DE LA GARANTIE

Pour faire une réclamation au titre de la garantie, veuillez communiquer avec le service à la clientèle d'EGO au **1 855 EGO-5656** (numéro sans frais). Lorsque vous faites une réclamation au titre de la garantie, vous devez présenter le reçu de vente original. Un centre de service autorisé sera sélectionné pour la réparation du produit conformément aux conditions de garantie prescrites. Il se peut qu'un petit dépôt soit exigé lorsque vous laissez votre outil dans un centre de service autorisé. Ce dépôt est remboursable lorsque le service de réparation est considéré comme étant couvert par la garantie.

RESTRICTIONS SUPPLÉMENTAIRES

Dans la mesure permise par la loi en vigueur, toutes les garanties implicites, y compris les garanties de QUALITÉ MARCHANDE ou D'ADÉQUATION À UN USAGE PARTICULIER, sont exclues. Toute garantie implicite, y compris la garantie de qualité marchande ou d'adéquation à un usage particulier, qui ne peut être rejetée en vertu de la loi de l'État ou de la province est limitée à la période de garantie applicable définie au début de cet article.

Chervon North America n'est pas responsable des dommages accessoires, consécutifs, indirects ou directs.

Certaines provinces n'autorisent pas les restrictions de durée de garantie implicite, ou l'exclusion ou la restriction des dommages consécutifs et accessoires; c'est pourquoi les restrictions ci-dessus peuvent ne pas s'appliquer à votre cas.

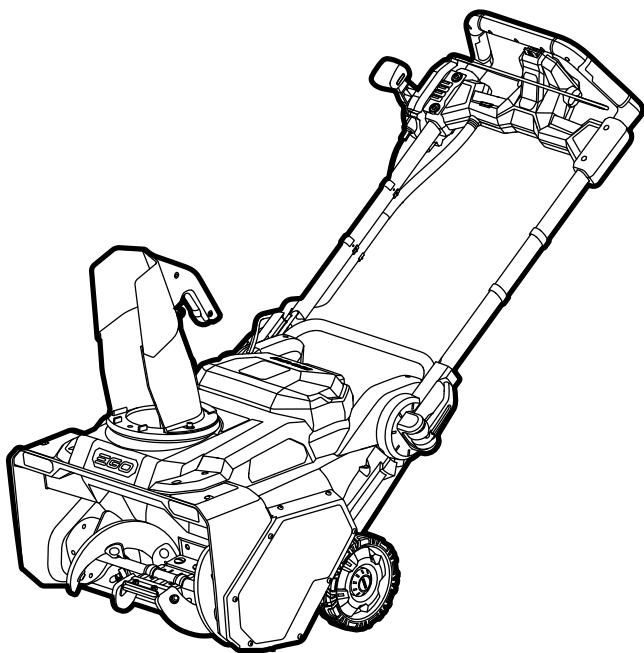
Cette garantie vous confère des droits précis. Il est possible que vous disposiez également d'autres droits, qui varient d'une province à l'autre.

Pour communiquer avec le service à la clientèle, veuillez composer le numéro sans frais suivant : **1 855 EGO-5656** ou consulter le site Web **EGOPOWERPLUS.COM**.

EGO Customer Service, 769 SEWARD AVE NW / Suite 102 Grand Rapids, MI 49504, États-Unis.

EGO™

POWER⁺ SNOW BLOWER



MANUAL DE FUNCIONAMIENTO
**SOPLADOR DE NIEVE
INALÁMBRICO DE ION
LITIO DE 56 V**

MODELO NÚMERO SNT2120AP/SNT2120AP-FC

⚠ ADVERTENCIA: Para reducir el riesgo de lesiones, el usuario debe leer y comprender el Manual del usuario antes de usar este producto. Guarde estas instrucciones para referencia futura.

ÍNDICE

Símbolos de seguridad	86
Instrucciones de seguridad	87-88
Procedimientos para el uso seguro del soplador de nieve manual . . .	88-93
Introducción	93
Especificaciones	94
Accesorios	94
Descripción	95-96
Ensamblaje	97-99
Operación	100-110
Mantenimiento	111-118
Solución de problemas	119-120
Garantía	121-123

LEA TODAS LAS INSTRUCCIONES



**LEA Y COMPRENDA
EL MANUAL DEL OPERADOR**

⚠ ADVERTENCIA: parte del polvo que se crea al usar herramientas eléctricas contiene sustancias químicas que el estado de California ha identificado como causantes de cáncer y defectos congénitos u otros daños en el aparato reproductivo. Algunos ejemplos de estos químicos son:

- Plomo de pinturas a base de plomo.
- Sílice cristalina de ladrillos, cemento y otros productos de mampostería.
- Arsénico y cromo de maderas tratadas químicamente.

El riesgo por estas exposiciones varía según la frecuencia con la que realice este tipo de trabajo. Medidas para reducir la exposición a estos químicos: trabaje en un área bien ventilada y con el equipo de seguridad aprobado, como mascarillas antipolvo especialmente diseñadas para filtrar partículas microscópicas.

SÍMBOLOS DE SEGURIDAD

Estos símbolos de seguridad se utilizan para advertirle sobre los posibles peligros. Los símbolos de seguridad y las explicaciones que los acompañan merecen cuidadosa atención y comprensión. Por sí solos, los símbolos de advertencia no eliminan los peligros. Las instrucciones y advertencias que proporcionan no reemplazan a las medidas adecuadas de prevención de accidentes.

⚠ ADVERTENCIA: antes de utilizar esta herramienta, asegúrese de leer y comprender todas las instrucciones de seguridad en este Manual del usuario, incluidos todos los símbolos de alerta de seguridad como “**PELIGRO**”, “**ADVERTENCIA**” y “**PRECAUCIÓN**”. Si no se siguen todas las instrucciones que se indican a continuación, se pueden producir descargas eléctricas, incendios o lesiones personales graves.

SIGNIFICADO DEL SÍMBOLO

⚠ SÍMBOLO DE ADVERTENCIA DE SEGURIDAD: indica **PELIGRO**, **ADVERTENCIA** o **PRECAUCIÓN**. Puede usarse junto con otros símbolos o pictogramas.




⚠ ADVERTENCIA: el funcionamiento de cualquier herramienta eléctrica puede causar que se disparen objetos extraños hacia sus ojos, lo que puede resultar en daños graves en los ojos. Antes de comenzar a operar una herramienta eléctrica, use siempre gafas protectoras o anteojos de seguridad con protección lateral y un protector facial si es necesario. Le recomendamos usar una máscara de seguridad de visión amplia sobre anteojos o anteojos de seguridad estándar con protección lateral. Use siempre protección ocular con la marca de cumplimiento de la norma ANSI Z87.1.

INSTRUCCIONES DE SEGURIDAD

Esta página presenta y describe los símbolos de seguridad que pueden aparecer en este producto. Lea, comprenda y siga todas las instrucciones que figuran en la máquina antes de intentar ensamblarla y operarla.

	Alerta de seguridad	Indica que existe el riesgo de que se produzcan lesiones personales.
	Protección ocular	Use siempre gafas protectoras o anteojos de seguridad con protección lateral y un protector facial al operar este producto.
	Lea y comprenda el manual del operador	Para reducir el riesgo de lesiones, el usuario debe leer y comprender el Manual del usuario antes de usar este producto.
	PELIGRO: mantenga las manos alejadas del impulsor	No use las manos para eliminar obstrucciones del conducto.
	Mantenga los pies alejados del impulsor	Mantenga los pies alejados del impulsor.
	Símbolos de reciclaje	Este producto usa baterías de iones de litio (litio-ión). Las leyes locales, estatales o federales pueden prohibir que las baterías se desechen junto con la basura normal. Consulte con la autoridad de residuos local para obtener información acerca de las opciones de reciclaje o de desecho disponibles.
IPX4	Nivel de Protección del Ingreso	Protección contra salpicaduras de agua
V	Voltio	Voltaje

	Corriente continua	Tipo o característica de la corriente
cm	Centímetro	Largo o tamaño
in.	Pulgadas	Largo o tamaño
Ft.	pies	Largo o tamaño
kg	Kilogramos	Peso
lb	Libras	Peso

⚠ ADVERTENCIA: para garantizar la seguridad y fiabilidad, todas las reparaciones las debe realizar un técnico calificado.

PROCEDIMIENTOS PARA EL USO SEGURO DEL SOPLADOR DE NIEVE MANUAL

⚠ ADVERTENCIA: este soplador de nieve puede amputar extremidades y arrojar objetos. El incumplimiento de las siguientes instrucciones de seguridad podría provocar lesiones graves.

RECOMENDACIONES PARA EL USO DE CUALQUIER SOPLADOR DE NIEVE

- No utilice la herramienta en superficies con gravilla.
- Mantenga a los niños alejados: todas las visitas deben mantenerse a una distancia segura del área de trabajo.
- Use ropa adecuada: no use ropa holgada ni joyas. Pueden quedar atrapadas en las piezas móviles.
- Use botas de goma cuando utilice el soplador de nieve.
- Mantenga las manos alejadas de las piezas móviles.
- Mantenga los topes en su lugar y en buenas condiciones de funcionamiento.
- No fuerce el soplador de nieve: este realizará un trabajo más seguro y de mejor calidad si se usa al ritmo para el que fue diseñado.
- No se extienda demasiado: mantenga una posición y un equilibrio adecuados en todo momento.

- Si el soplador de nieve golpea un objeto extraño, siga estos pasos:
 - 1) Apague el soplador de nieve. Suelte el interruptor.
 - 2) Retire el paquete de baterías.
 - 3) Revise la herramienta para verificar que no esté dañada.
 - 4) Repare cualquier daño antes de rearmar y utilizar el soplador de nieve.
- Almacene los sopladores de nieve inactivos en un lugar interior: Cuando no se estén utilizando, los sopladores de nieve se deberán almacenar en un lugar interior, seco, cerrado con llave y fuera del alcance de los niños.
- Mantenga los sopladores de nieve con cuidado: Siga las instrucciones de lubricación y cambio de accesorios.

CAPACITACIÓN

- Lea, entienda y siga todas las instrucciones que se encuentran en el soplador de nieve y en el manual (los manuales) antes de utilizar esta unidad. Familiarícese completamente con los controles y el uso adecuado del soplador de nieve. Sepa cómo detener el soplador de nieve y desactivar los controles rápidamente.
- No deje nunca que los niños utilicen el soplador de nieve. No deje nunca que los adultos utilicen el soplador de nieve sin haber recibido capacitación adecuada.
- Mantenga el área de utilización despejada de todas las personas, en particular de niños de corta edad.
- Tenga precaución para evitar resbalar o caer, especialmente cuando utilice el soplador de nieve en reversa.

PREPARACIÓN

- Inspeccione minuciosamente el área en la que se va a utilizar el soplador de nieve y retire todos los felpudos, trineos, tablas, cables y otros objetos extraños.
- No utilice el soplador de nieve sin tener puestas prendas de invierno adecuadas. Evite la ropa holgada que puede quedar atrapada en las piezas móviles. Use calzado que mejore el apoyo de los pies en superficies resbalosas.
- No intente nunca hacer ajustes mientras el motor esté en funcionamiento (excepto cuando esté recomendado específicamente por el fabricante).
- Utilice siempre anteojos de seguridad o escudos oculares durante la utilización o mientras realice un ajuste o una reparación, para protegerse los ojos contra los objetos extraños que puedan ser lanzados al aire por el soplador de nieve.

OPERACIÓN

- Prevenga los arranques accidentales. Asegúrese de que el interruptor esté en la posición de apagado antes de realizar la conexión al paquete de batería, levantar el soplador de nieve o transportarlo. Transportar el soplador de nieve con el dedo en el interruptor o suministrar corriente al soplador de nieve cuando se tenga el interruptor en la posición de encendido invita a que se produzcan accidentes. No ponga las manos ni los pies cerca o debajo de las piezas rotatorias. Manténgase alejado de la abertura del descargador en todo momento.
- No ponga las manos ni los pies cerca o debajo de las piezas rotatorias. Manténgase alejado de la abertura del descargador en todo momento.
- Tenga suma precaución cuando utilice la unidad sobre o cruzando entradas de garaje, caminos o carreteras de grava. Permanezca alerta a los obstáculos ocultos o al tráfico.
- Después de golpear un objeto extraño, pare el motor, retire el paquete (los paquetes) de batería, inspeccione minuciosamente el soplador de nieve para determinar si tiene daños y repare los daños antes de rearmar y utilizar el soplador de nieve.
- Si el soplador de nieve comienza a vibrar anormalmente, pare el motor y realice una comprobación inmediata para localizar la causa. Generalmente, la vibración es una advertencia de problemas.
- Pare el motor siempre que deje la posición de utilización, antes de desobstruir la carcasa del ensamblaje de la barrena o el conducto de descarga y cuando realice cualquier reparación, ajuste o inspección.
- Cuando despeje, repare o inspeccione el soplador de nieve, pare el motor y asegúrese de que el ensamblaje de la barrena y todas las piezas móviles se hayan detenido. Retire el paquete (los paquetes) de batería para impedir que alguien arranque accidentalmente el motor.
- Tenga suma precaución cuando utilice la unidad en pendientes.
- No utilice nunca el soplador de nieve sin los protectores adecuados y otros dispositivos protectores de seguridad instalados en la posición adecuada y funcionando correctamente.
- No dirija nunca la descarga hacia personas o áreas donde se puedan producir daños materiales. Mantenga alejados a los niños y a otras personas.
- No sobrecargue la capacidad del soplador de nieve intentando despejar la nieve a un ritmo demasiado rápido.

- Desactive la alimentación eléctrica al ensamblaje de la barrena cuando el soplador de nieve esté siendo transportado o no esté siendo utilizado.
- Utilice solo aditamentos y accesorios aprobados por el fabricante del soplador de nieve (tales como paletas de caucho, barra rascadora y correa de transmisión).
- No utilice nunca el soplador de nieve sin buena visibilidad o luz. Esté siempre seguro del apoyo de los pies y mantenga un agarre firme en las agarraderas. Camine; no corra nunca.
- No exponga un paquete de batería o un soplador de nieve a un fuego o a una temperatura excesiva. Es posible que la exposición a un fuego o a una temperatura superior a 265 °F (130 °C) cause una explosión.
- Desconecte el paquete de batería del aparato eléctrico antes de hacer cualquier ajuste, cambiar accesorios o almacenar el aparato eléctrico. Dichas medidas preventivas de seguridad reducen el riesgo de arrancar accidentalmente el aparato eléctrico.
- Recargue las baterías solo con el cargador especificado por el fabricante. Es posible que un cargador que sea adecuado para un tipo de paquete de batería cree un riesgo de incendio cuando se utilice con otro paquete de batería.
- Utilice el soplador de nieve solo con paquetes de batería designados específicamente. Es posible que el uso de cualquier otro paquete de batería cree un peligro de lesiones e incendio.
- Cuando el paquete de batería no se esté utilizando, manténgalo alejado de otros objetos metálicos, tales como clips sujetapapeles, monedas, llaves, clavos, tornillos u otros objetos metálicos pequeños, que puedan hacer una conexión de un terminal al otro. Si se cortocircuitan juntos los terminales de la batería, es posible que se causen quemaduras o un incendio.
- En condiciones abusivas es posible que se expulse líquido de la batería; evite el contacto. Si se produce contacto accidentalmente, enjuáguese con agua. Si el líquido entra en contacto con los ojos, obtenga además ayuda médica. Es posible que el líquido expulsado de la batería cause irritación o quemaduras.
- No utilice un paquete de batería o un aparato eléctrico que estén dañados o modificados. Es posible que las baterías dañadas o modificadas exhiban un comportamiento imprevisible que cause incendio, explosión o riesgo de lesiones.
- Siga todas las instrucciones de carga y no cargue el paquete de batería ni el aparato eléctrico fuera del intervalo de temperatura especificado en las instrucciones. Es posible que la realización de la carga de manera inadecuada o a temperaturas que estén fuera del intervalo especificado dañe la batería y aumente el riesgo de incendio.

- Haga que el servicio de ajustes y reparaciones sea realizado por un técnico de servicio calificado que utilice únicamente piezas de repuesto idénticas. Esto garantizará que se mantenga la seguridad del producto.
- No modifique ni intente reparar el soplador de nieve o el paquete de batería (según corresponda), excepto tal y como se indica en las instrucciones de uso y cuidado.
- Use solamente los paquetes de baterías y los cargadores que se indican a continuación:

PAQUETES DE BATERÍAS	CARGADOR
BA1400, BA1400-FC, BA2800, BA2800-FC, BA4200, BA4200-FC, BA1400T, BA1400T-FC, BA2240T, BA2240T-FC, BA2242T, BA2242T-FC, BA2800T, BA2800T-FC, BA4200T, BA4200T-FC, BA5600T, BA5600T-FC, BA6720T, BA6720T-FC	CH2100, CH2100-FC, CH3200, CH3200-FC, CH5500, CH5500-FC, CH2800D, CH2800D-FC, CH7000, CH7000-FC,

AVISO: Para lograr el mejor rendimiento y un tiempo de funcionamiento máximo, se recomienda utilizar dos paquetes de batería de 5,0 Ah o más Ah.

DESPEJE DE UN CONDUCTO DE DESCARGA OBSTRUIDO

Le contact de la main avec la vis sans fin en marche à l'intérieur de la goulotte d'éjection est la cause la plus courante de blessures associées aux souffleuses à neige. N'utilisez jamais vos mains pour désobstruer la goulotte d'éjection.

Pour désobstruer la goulotte :

- **ARRÊTEZ LE MOTEUR!**
- Attendez 10 secondes pour vous assurer que les lames de la vis sans fin ne tournent plus.
- Utilisez toujours un outil de déblocage, et non vos mains.

ENTRETIEN ET REMISAGE

- Vérifiez fréquemment le serrage de tous les boulons ou fixations pour vous assurer que l'équipement est en bon état de marche.
- Consulte siempre el manual del operador para obtener destalles importantes si el soplador de nieve se va a almacenar durante un período de tiempo prolongado.
- Mantenga o reemplace las etiquetas de seguridad e instrucciones, según sea necesario.
- Tenga en funcionamiento el soplador de nieve durante unos minutos después de soplar nieve, para prevenir la congelación del ensamblaje de la barrena.

GUARDE ESTAS INSTRUCCIONES. Consúltelas frecuentemente y utilícelas para instruir a otras personas que puedan utilizar este soplador de nieve. Si le presta este soplador de nieve a alguien, préstele también estas instrucciones para prevenir el uso incorrecto del producto y posibles lesiones.

INTRODUCCIÓN

Felicitaciones por su selección del nuevo soplador de nivel alimentado por ion litio de 56 V. Este soplador ha sido diseñado, proyectado y fabricado para ofrecerle a usted la mejor confiabilidad y el mejor rendimiento posibles.

En el caso de que tenga cualquier problema que no pueda remediar fácilmente, sírvase contactar al centro de servicio al cliente de EGO llamando al 1-855-EGO-5656.


Este manual contiene información importante sobre el ensamblaje, la utilización y el mantenimiento seguros de su producto. Léalo detenidamente antes de utilizar el producto. Tenga este manual al alcance de la mano para poder consultarlo en cualquier momento.

NÚMERO DE SERIE _____ FECHA DE COMPRA _____

LOS NÚMEROS DE MODELO Y DE SERIE SE ENCUENTRAN EN UNA ETIQUETA UBICADA EN LA CARCASA DEL ENSAMBLE DE BARRENA.

ANOTE EL NÚMERO DE SERIE Y LA FECHA DE COMPRA Y GUARDE ESTOS DATOS EN UN LUGAR SEGURO PARA CONSULTARLOS EN CASO DE QUE SEA NECESARIO. CONSERVE EL RECIBO DE VENTA.

ESPECIFICACIONES

Voltaje	56V 
Ancho de eliminación	21 in (530 mm)
Altura de entrada	13 in (330 mm)
Distancia de soplado	Up to 45 ft (14 m)
Tamaño de las ruedas	7 in (178 mm)
Temperatura de funcionamiento	-4°F–50°F(-20°C–10°C)
Temperatura de almacenamiento	-4°F–158°F(-20°C–70°C)
Peso del soplador de nieve (sin el paquete de baterías)	60 lbs (27 kg)

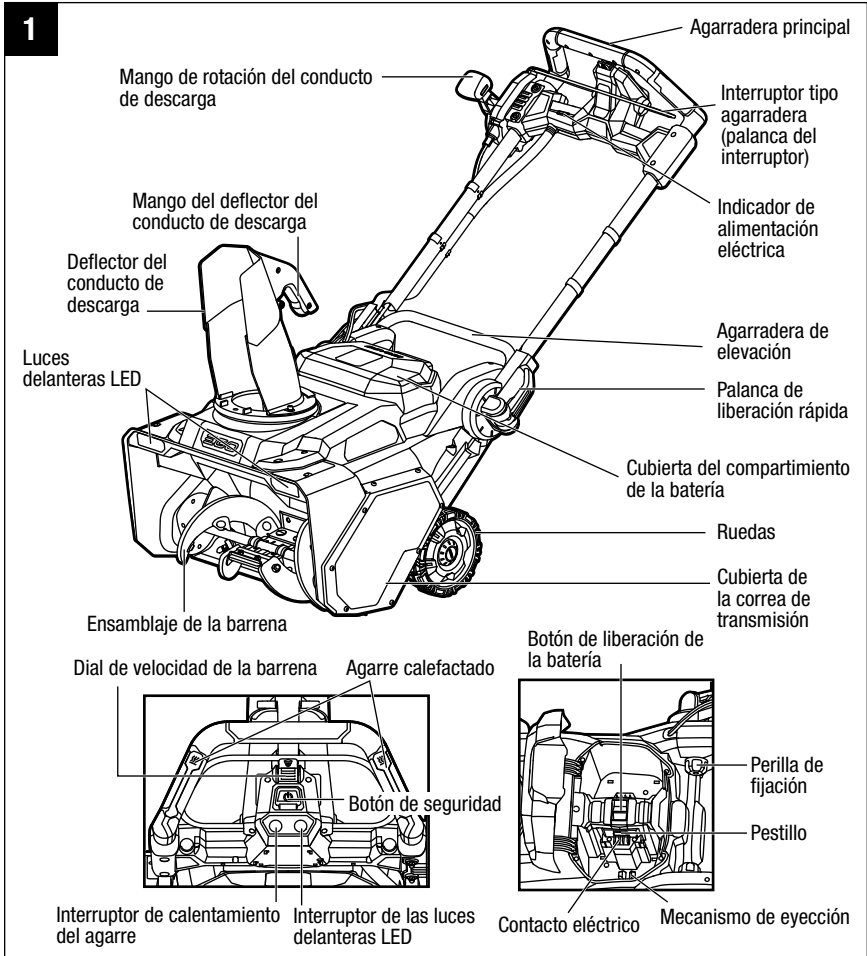
ACCESORIOS

⚠ ADVERTENCIA: Las siguientes piezas se desgastarán con el uso normal. Use solo las piezas de repuesto que se indican a continuación. El uso de piezas que no cumplen con las especificaciones del equipo original podría causar un rendimiento inadecuado y poner en riesgo la seguridad.

NOMBRE DE LA PIEZA	NÚMERO DEL MODELO
Reemplazo de Las Paletas Y Las Barrenas De Caucho	ARP2120
Barra raspadora	ASS2120
Correa de transmisión	AVB2120

DESCRIPCIÓN

CONOZCA SU SOPLADOR DE NIEVE (Fig. 1)



⚠ ADVERTENCIA: El uso seguro de este producto requiere una comprensión de la información que se encuentra en el producto y en este manual de instrucciones, así como conocimientos del proyecto que usted esté intentando. Antes de utilizar este producto, familiarícese con todas las funciones operativas y reglas de seguridad.

Botón de seguridad

Para que el motor se encienda, es necesario presionar el botón de seguridad.

Interruptor de agarre

El interruptor de agarre se ubica en la manija superior del soplador de nieve. Permite encender y apagar el motor y la barrena.

⚠ ADVERTENCIA: el interruptor de agarre y el botón de seguridad son dispositivos de seguridad. No intente evitar su activación.

PEAK POWER™

Esta tecnología combina la energía de hasta dos baterías EGO ARC Lithium™ de 56 V para producir un tiempo de funcionamiento más prolongado y un consumo eficiente de energía.

Palanca de liberación rápida

Permite bloquear y desbloquear los carriles laterales para colocar la máquina en posición de trabajo o almacenaje.

Dial de velocidad de la barrena

Ajusta la velocidad de la barrena que determina la distancia de lanzamiento.

Mango de rotación del conducto de descarga

Rota el conducto de descarga para que el usuario pueda dirigir la nieve descargada según lo desee. El mango permite que el conducto de descarga rote desde 90° hacia la izquierda hasta 90° hacia la derecha.

Mango del deflector del conducto de descarga

Ajusta el ángulo del deflector del conducto de descarga que determina la altura del chorro de descarga y, en parte, la distancia de lanzamiento.

Focos con bombillas LED

Los focos con bombillas LED se encuentran en la parte delantera de la unidad. Ofrecen una fuente de luz para mejorar la visibilidad.

Agarre calefactado

El área de agarre se puede calentar presionando el interruptor de calentamiento del agarre, para proporcionar calor a las manos del operador.

ENSAMBLAJE

⚠ ADVERTENCIA: Para prevenir arranques accidentales que podrían causar lesiones corporales graves, retire siempre el paquete (los paquetes) de batería de la herramienta cuando ensamble piezas.

⚠ ADVERTENCIA: si hay piezas dañadas o faltantes, no utilice el producto hasta que las haya reemplazado. El uso de este producto con piezas dañadas o faltantes podría causar lesiones personales graves.

⚠ ADVERTENCIA: no intente modificar la herramienta ni crear accesorios que no estén recomendados para su uso con este producto. Cualquier alteración o modificación se considera un uso indebido y puede causar una condición peligrosa que a su vez puede provocar lesiones graves.

DESEMPAQUETADO

- Este producto requiere ensamblaje.
- Tome la manija posterior y la parte delantera del producto de forma simultánea y levante la herramienta cuidadosamente para retirarla de la caja. Retire los accesorios que haya en la caja. Asegúrese de que estén incluidos todos los artículos que aparecen en la lista de empaque.

⚠ ADVERTENCIA: si, luego de desembalar el producto, nota que este ya tiene algunas piezas de la lista de empaque ensambladas, no lo use. El fabricante no vende el producto con las piezas de la lista ensambladas; el cliente debe ensamblarlas. Si se usa un producto con piezas ensambladas incorrectamente, pueden producirse lesiones personales graves.

- Inspeccione minuciosamente la herramienta para asegurarse de que no se hayan producido roturas o daños durante el transporte.
- No deseche el material de embalaje hasta que haya inspeccionado cuidadosamente y utilizado satisfactoriamente la herramienta.
- Si hay piezas faltantes o dañadas, devuelva este producto al lugar donde lo compró.

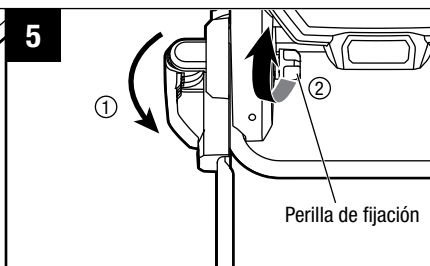
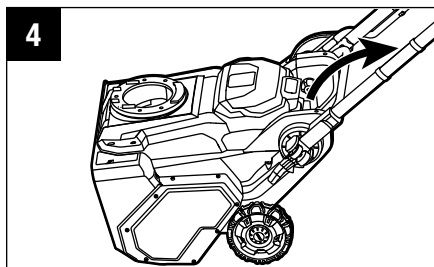
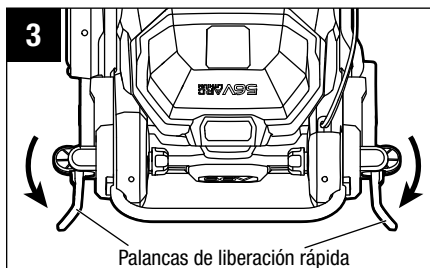
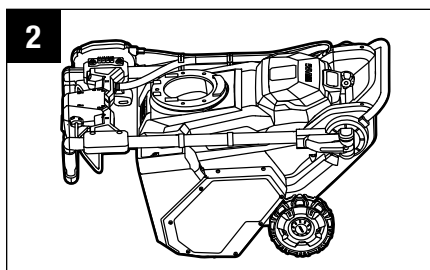
LISTA DE EMPAQUE

NOMBRE DE LA PIEZA	CANTIDAD
Soplador de nieve	1
Conducto de descarga	1
Manual del operador	1
Llave hexagonal	1

DESPLIEGUE DE LOS RIELES LATERALES

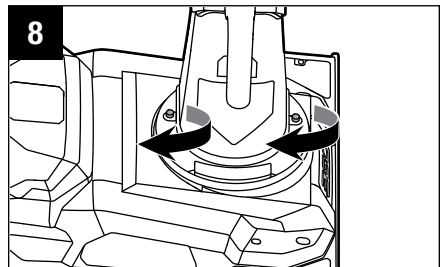
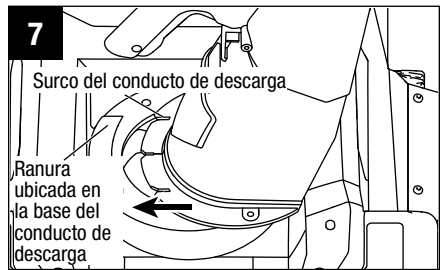
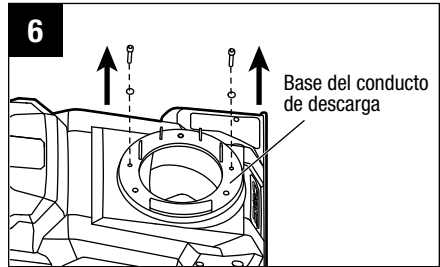
⚠ ADVERTENCIA: No intente arrancar el soplador de nieve cuando los rieles laterales estén plegados.

1. El soplador de nieve se envía con los rieles laterales en la posición plegada y bloqueada (Fig. 2).
2. Abra las palancas de liberación rápida ubicadas a ambos lados y pivote suavemente hacia arriba los rieles laterales hasta que se detengan (Fig. 3 y 4).
3. Cierre las palancas de liberación rápida y luego apriete las perillas de fijación para fijar los rieles laterales en la posición correcta (Fig. 5).



INSTALACIÓN DEL CONDUCTO DE DESCARGA

1. Utilice la llave hexagonal suministrada para aflojar y retirar los dos conjuntos de pernos y arandelas de la base del conducto de descarga (Fig. 6).
2. Alinee los surcos del conducto de descarga con la ranura ubicada en la base de dicho conducto y luego empuje el conducto de descarga hasta la posición correcta (Fig. 7).
3. Utilice la llave hexagonal para fijar el conducto de descarga en la posición correcta con los dos conjuntos de pernos y arandelas (Fig. 8).



⚠ ADVERTENCIA: Utilizando el mango de rotación del conducto de descarga ubicado en la posición del operador, asegúrese de que el conducto de descarga rote adecuadamente de manera que la abertura de descarga no cruce nunca los controles del operador.

⚠ ADVERTENCIA: No utilice nunca el soplador de nieve sin el conducto de descarga completo instalado en la posición correcta.

OPERACIÓN

⚠ ADVERTENCIA: no permita que la familiaridad con este producto lo vuelva descuidado. Recuerde que un descuido de una fracción de segundo es suficiente para provocar lesiones graves.

⚠ ADVERTENCIA: Use siempre protección ocular marcada para cumplir con la norma ANSI Z87.1, junto con protección de la audición. El hecho de no hacerlo así podría tener como resultado que se lancen objetos hacia los ojos del operador y se causen otras posibles lesiones graves.

⚠ ADVERTENCIA: no utilice ningún acoplamiento o accesorio que no sea recomendado por el fabricante de este producto. El uso de acoplamientos o accesorios no recomendados puede producir lesiones personales graves.

APLICACIÓN

Usted puede utilizar este producto para los fines que se indican a continuación:

- Retirar nieve de áreas tales como entradas de garaje y banquetas de calle.

INSTALACIÓN/DESINSTALACIÓN DEL PAQUETE DE BATERÍA

¡Cargue el paquete (los paquetes) de batería antes del primer uso!

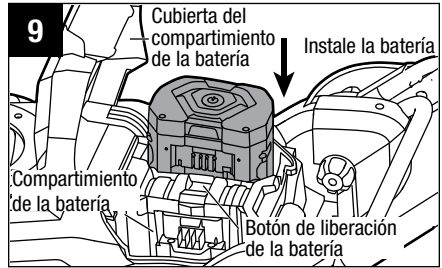
NOTA: El soplador de nieve puede operar con una o dos baterías. La utilización de dos baterías le da a usted un tiempo de funcionamiento más prolongado y un consumo de energía eficiente gestionado por la tecnología PEAK POWER™. Para obtener el mejor rendimiento, recomendamos el uso de dos paquetes de batería de 5,0 Ah o más Ah.

Cuando no se estén utilizando, los paquetes de batería de 56 V se deberán almacenar en un área cerrada donde la temperatura no descienda por debajo de -4 °F (-20 °C). La temperatura de carga óptima es entre 41 °F (5 °C) y 104 °F (40 °C).

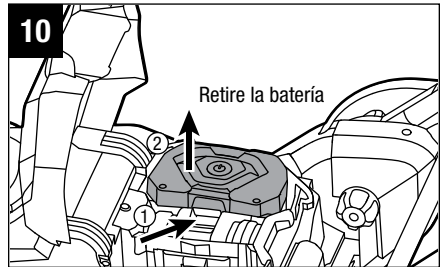
⚠ ADVERTENCIA: Si cualquiera de las piezas está rota o falta, no intente instalar los paquetes de batería en el soplador de nieve ni utilizar el soplador de nieve hasta que las piezas rotas o que falten hayan sido reemplazadas. Si no se hace así, el resultado podría ser lesiones graves.

1. La cubierta del compartimiento de la batería está embisagrada. Suba la cubierta levantando la parte delantera de la cubierta.

2. El soplador de nieve cuenta con un compartimiento de batería dual, el cual permite el uso de dos paquetes de batería al mismo tiempo.
3. Alinee los surcos ubicados en el paquete de batería con las costillas en relieve ubicadas en uno de los compartimientos de batería y luego inserte el paquete de batería en el compartimiento (Fig. 9).
4. Empuje el paquete de batería hasta que oiga un “clic”. El botón de liberación de la batería subirá por resorte cuando el paquete de batería esté firmemente instalado.



AVISO: Asegúrese de que el pestillo ubicado en el compartimiento (los compartimientos) de la batería se acople a presión en la posición correcta y que el paquete o los paquetes de batería estén firmemente sujetos en la unidad antes de comenzar la utilización.



5. Instale el otro paquete de batería en el otro compartimiento de batería de la misma manera.
6. **Para desinstalar el paquete de batería**, presione el botón de liberación de la batería para liberar el paquete de batería y luego levántelo hasta sacarlo del compartimiento (Fig. 10).
7. Cierre la cubierta del compartimiento de la batería.

CÓMO ENCENDER Y APAGAR EL SOPLADOR DE NIEVE

⚠ PRECAUCIÓN: no intente anular el funcionamiento del botón de seguridad y el interruptor de agarre.

⚠ ADVERTENCIA: el soplador de nieve puede arrojar objetos extraños a los ojos y causar daños oculares graves. Use gafas de seguridad cuando utilice el soplador de nieve o cuando le realice ajustes o reparaciones.

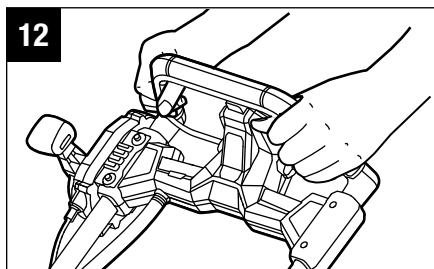
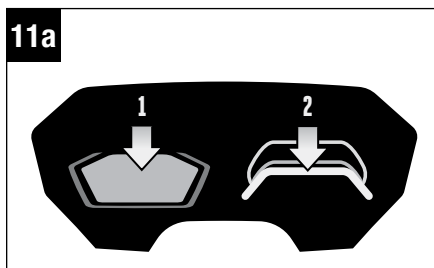
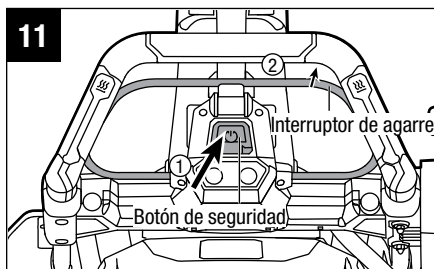
⚠ ADVERTENCIA: cuando use el soplador de nieve, asegúrese de que las personas y mascotas se encuentren a 30 m (100 pies) de distancia como mínimo.

⚠ ADVERTENCIA: la barrena sigue girando por unos segundos una vez que se apaga el motor. Deje que la barrena deje de girar antes de encender el motor otra vez.

AVISO: no encienda y apague rápidamente el soplador de nieve.

Para arrancar el soplador de nieve

1. Asegúrese de que los rieles laterales estén firmemente bloqueados en la posición desplegada abierta.
2. Instale el paquete (los paquetes) de batería en el soplador de nieve y cierre la cubierta de la batería. Consulte el capítulo **“INSTALACIÓN/DESINSTALACIÓN DEL PAQUETE DE BATERÍA”**.
3. ENCIENDA el soplador de nieve presionando el botón de seguridad.
4. Con el botón de seguridad presionado, jale hacia arriba el interruptor tipo agarradera para llegar a la agarradera principal (Fig. 11 y 11a).
5. Una vez que la barrena arranque, suelte el botón de seguridad y comience la utilización (Fig. 12).



6. **Para avanzar hacia delante,** levante la agarradera principal para permitir que el ensamblaje de la barrena contacte el piso (Fig. 13). La tracción de la barrena ayudará a mover hacia delante el soplador de nieve.

AVISO: La herramienta se arranca presionando primero el botón de seguridad, seguido por apretar el interruptor tipo agarradera. La utilización en reversa no arrancará la herramienta.

AVISO: Es posible que el soplador de nieve no arranque correctamente si la temperatura de la batería es de $-4\text{ }^{\circ}\text{F}$ ($-20\text{ }^{\circ}\text{C}$) o menos. Si la unidad no arranca, retire la batería del soplador de nieve y deje que se caliente en un lugar interior durante 10 minutos o más tiempo. Reinstale la batería e inténtelo de nuevo.

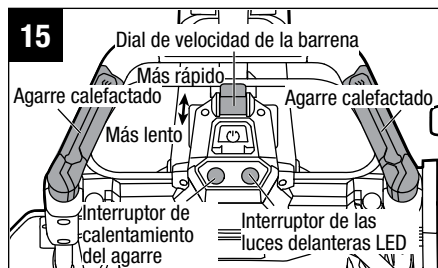
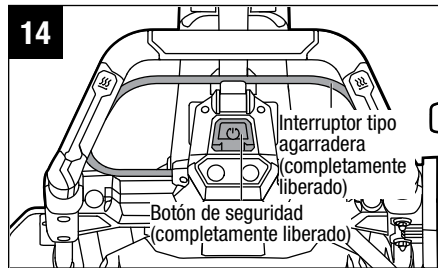
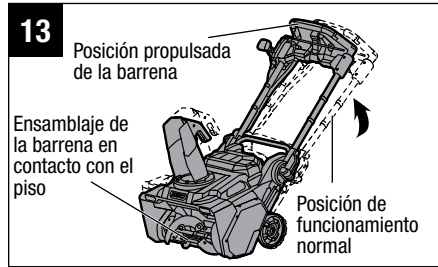
Para detener el soplador de nieve

1. Suelte completamente el interruptor tipo agarradera (Fig. 14).
2. El freno eléctrico del mecanismo de frenado automático detendrá la rotación de la barrena en 3 segundos o menos después de soltar el interruptor tipo agarradera.

Sistema de velocidad variable de la barrena (Fig. 15)

La velocidad de la barrena determina la distancia de lanzamiento. La velocidad de la barrena es variable y se puede ajustar utilizando el dial de velocidad de la barrena.

1. Para aumentar le velocidad, mueva el dial de velocidad de la barrena alejándolo del operador.



2. Para reducir la velocidad, mueva el dial de velocidad de la barrena hacia el operador.

Agarre calefactado (Fig. 15)

El área de agarre se puede calentar para proporcionar calor a las manos.

⚠ ADVERTENCIA: Asegúrese de que el revestimiento de caucho esté intacto en las áreas de agarre calefactadas antes de encender la función de calentamiento del agarre. La piel no protegida podría sufrir lesiones por quemaduras a causa del contacto con los elementos calentadores al descubierto.

1. Presione el interruptor de calentamiento del agarre para calentar el área de agarre. La luz del interruptor se iluminará cuando la función de calentamiento esté encendida.
2. Presione de nuevo el interruptor de calentamiento del agarre para apagar la función de calentamiento. La luz del interruptor se apagará.

NOTA: Cuando la función de calentamiento esté encendida, la temperatura del agarre calefactado se mantendrá entre 95 °F (35 °C) y 131 °F (55 °C).

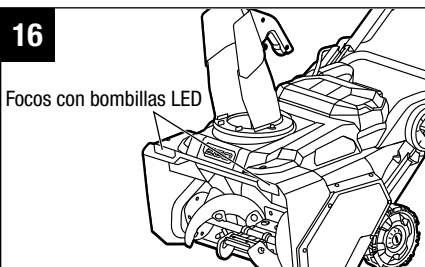
NOTA: La calefacción se apagará automáticamente cuando el soplador de nieve esté inactivo durante 10 minutos para conservar la carga de la batería.

FOCOS CON BOMBILLAS LED (Fig. 15 & 16)

Los focos con bombillas LED se encuentran en la parte delantera del soplador de nieve.

1. Para encenderlos, presione el botón LED. Los focos iluminan el área que se encuentra delante del soplador de nieve.
2. Para apagarlos, presione el botón LED otra vez.

NOTA: No hay luz del interruptor para indicar si las luces delanteras LED están encendidas o apagadas.



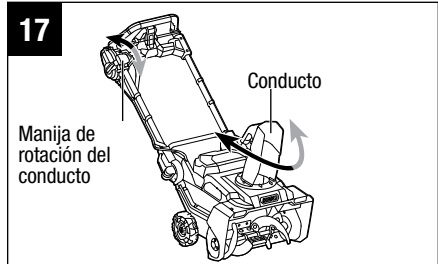
NOTA: Las luces delanteras LED se apagarán automáticamente cuando el soplador de nieve esté inactivo durante 5 minutos, para preservar la carga de la batería.

CÓMO AJUSTAR EL CONDUCTO

Puede ajustar el conducto para cambiar la dirección y la distancia de soplado de nieve y para quitar más fácilmente la nieve de un área con el fin de moverla hacia otra.

La **dirección** de soplado de nieve puede ajustarse hasta los 180° (Fig. 17).

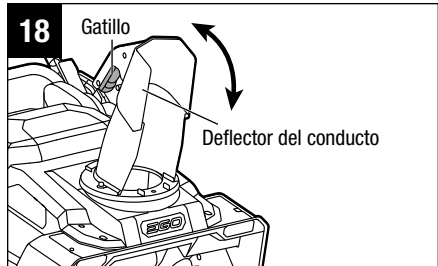
1. Empuje la manija de rotación del conducto hacia delante para girar el conducto hacia la izquierda.
2. Tire la manija de rotación del conducto hacia atrás para girar el conducto hacia la derecha.



La **distancia de lanzamiento** del soplador de nieve es determinada en parte por el ángulo de inclinación del deflector del conducto de descarga (Fig. 18).

⚠ ADVERTENCIA: No ajuste el deflector del conducto de descarga mientras el interruptor tipo agarradera esté activado. Suelte siempre el interruptor tipo agarradera antes de ajustar el deflector del conducto de descarga.

1. Para aumentar la distancia a la que se lanza la nieve, apriete el gatillo ubicado en el mango del deflector del conducto de descarga y luego suba dicho deflector. Suelte el gatillo del mango del deflector del conducto de descarga para bloquear dicho deflector en la posición correcta (Fig. 18).
2. Para reducir la distancia a la que se lanza la nieve, simplemente baje el deflector con el mango del deflector del conducto de descarga.



⚠ ADVERTENCIA: No fuerce el conducto de descarga tan hacia delante que aparezca una holgura entre el deflector y el propio conducto de descarga. La nieve u otros residuos podrían ser lanzados a través de la holgura y de vuelta hacia el operador, causando lesiones corporales graves.

DESPEJE DE UN CONDUCTO DE DESCARGA OBSTRUIDO

⚠ ADVERTENCIA: La entrada en contacto de las manos con la barrena que rota dentro del conducto de descarga es la causa más común de lesiones asociadas con los sopladores de nieve. No use nunca la mano para limpiar el conducto de descarga.

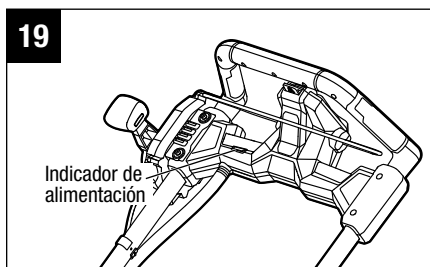
Para despejar el conducto de descarga:

1. ¡Apague el motor y la barrena!
2. Retire el paquete (los paquetes) de batería del soplador de nieve.
3. Espere 10 segundos para asegurarse de que la barrena ha dejado de rotar.
4. Use siempre una herramienta de limpieza, tal como una varilla de madera u otras herramientas de despeje que están disponibles comercialmente; no use la mano.

INDICADOR DE ALIMENTACIÓN ELÉCTRICA UBICADO EN EL SOPLADOR DE NIEVE (Fig. 19)

El soplador de nieve cuenta con un indicador de alimentación eléctrica para comunicar el nivel de carga del paquete (los paquetes) de batería y el estado de funcionamiento del soplador de nieve.

El indicador de alimentación eléctrica se iluminará solo al arrancar el soplador de nieve.



INDICADOR DE ALIMENTACIÓN	SIGNIFICADO	ACCIÓN
Parpadea en verde	El botón de seguridad está presionado y el soplador de nieve está encendido y listo para trabajar. Cada paquete de batería insertado tiene al menos un 15% de su carga.	n/a
Se enciende en verde	El soplador de nieve está funcionando correctamente y cada batería tiene al menos un 15% de su carga.	n/a
Parpadea en rojo	El nivel de carga del paquete (los paquetes) de batería es bajo. La barrena no gira, pero la función de calentamiento y las luces delanteras LED podrían estar encendidas durante un corto período de tiempo.	Detenga el soplador de nieve y cargue el paquete (los paquetes) de batería.
Se enciende en naranja	El soplador de nieve está sobrecalentado.	Detenga el soplador de nieve y espere un poco de tiempo para enfriar la máquina.
Parpadea en naranja	El soplador de nieve está sobrecargado.	Retire el paquete (los paquetes) de batería. Compruebe si se ha acumulado o incrustado nieve en la barrena y, si es así, quite esa nieve. Reduzca el ritmo o disminuya la anchura de la franja de despeje de la nieve cuando trabaje.
Parpadea en rojo y verde alternativamente	Falla de comunicaciones.	Contacte a un centro de servicio de EGO para la reparación.

No hay indicación	Si el indicador LED de uno o ambos paquetes de batería parpadea en naranja o se enciende en rojo, el paquete o los paquetes de batería están sobrecalentados.	Detenga el soplador de nieve y deje que el paquete de batería se enfríe.
	Otras averías: interruptor, luz, etc.	Contacte a un centro de servicio de EGO para la reparación.

PROTECCIÓN CONTRA SOBRECARGAS DEL SOPLADOR DE NIEVE

Para prevenir condiciones de sobrecarga, no intente retirar demasiada nieve al mismo tiempo. Reduzca el ritmo o disminuya la anchura de la franja de despeje de la nieve.

Este soplador de nieve tiene incorporados elementos sensores de sobrecargas. Cuando el soplador de nieve esté sobrecargado, el motor reducirá automáticamente la velocidad y usted oírás cómo el nivel de ruido del motor disminuye. En caso de sobrecarga, reduzca el ritmo o estreche la anchura de despeje, después de lo cual la velocidad del motor reanudará su ajuste normal automáticamente. Si este remedio no resuelve la situación de sobrecarga, el sensor apagará automáticamente el motor y el indicador de alimentación eléctrica parpadeará en naranja. Retire el paquete (los paquetes) de batería del soplador de nieve. Realice una comprobación para determinar si hay nieve o hielo pegados a la barrena y la plataforma, y utilice una herramienta de limpieza para eliminarlos según sea necesario. Reinstale el paquete (los paquetes) de batería y rearranque el soplador de nieve.

PROTECCIÓN CONTRA ALTAS TEMPERATURAS DE LA BATERÍA

Si la temperatura de la batería excede 158 °F (70 °C) durante la utilización, el circuito de protección contra altas temperaturas apagará inmediatamente el soplador de nieve para proteger los paquetes de batería contra los daños por sobrecalentamiento. El indicador de alimentación eléctrica ubicado en el soplador de nieve estará apagado y el indicador LED ubicado en el paquete de batería parpadeará en naranja o se encenderá en rojo.

NOTA: El indicador LED de los siguientes paquetes de batería parpadeará con luces naranja cuando dichos paquetes estén sobrecalentados: BA1400, BA1400-FC, BA2800, BA2800-FC, BA4200 y BA4200-FC; las luces LED de los siguientes paquetes de batería se encenderán en rojo cuando dichos paquetes estén sobrecalentados: BA1400T, BA1400T-FC, BA2240T, BA2240T-FC, BA2242T, BA2242T-FC, BA2800T, BA2800T-FC, BA4200T, BA4200T-FC, BA5600T, BA5600T-FC, BA6720T y BA6720T-FC.

Suelte el interruptor tipo agarradera y espere hasta que el paquete o los paquetes de batería sobrecalentados se enfríen y la luz ubicada en el indicador LED de la batería se ponga verde, y luego rearranque el soplador de nieve.

Para prevenir apagados debido a la protección contra altas temperaturas de la batería, no intente utilizar una sola batería para alimentar el soplador de nieve cuando la profundidad de la nieve acumulada exceda 3 pulgadas (76 mm) o cuando la nieve esté muy mojada o helada. Recomendamos el uso de dos baterías que funcionen simultáneamente. Esto es útil para obtener la potencia pico del soplador de nieve.

Después de que se haya activado la protección contra altas temperaturas, reduzca el ritmo y estreche la anchura de la franja de despeje de la nieve para reducir la carga en la batería.

CONSEJOS DE OPERACIÓN

⚠ PELIGRO: no use el soplador de nieve en lagos o ríos congelados ni superficies similares. Si el hielo se parte, pueden producirse lesiones graves o la muerte.

⚠ PELIGRO: no use el soplador de nieve en techos ni superficies inestables, ya que pueden producirse lesiones personales graves o la muerte.

⚠ ADVERTENCIA: no use el soplador de nieve en superficies con hielo, ya que puede resbalarse, caerse y sufrir lesiones graves.

⚠ ADVERTENCIA: no use ropa holgada, bufandas ni joyas. Estas pueden quedar atrapadas en las piezas móviles y provocar lesiones graves o la muerte.

⚠ ADVERTENCIA: asegúrese de no descargar nieve en dirección a dispositivos eléctricos, ya que esto puede provocar la electrocución o descargas eléctricas.

⚠ ADVERTENCIA: no apunte con el soplador de nieve ni el conducto de descarga a personas o mascotas. La nieve o los objetos que salen despedidos pueden provocar lesiones personales graves.

⚠ ADVERTENCIA: asegúrese de que el área de trabajo no tenga piedras, palos, cables, gravilla ni otros objetos que puedan salir despedidos en cualquier dirección y ocasionar lesiones personales graves al operador y a otras personas.

- Si la herramienta se obstruye durante el uso, apáguela, retire el paquete de baterías, elimine la obstrucción e inspeccione la unidad cuidadosamente para verificar que no tenga daños antes de seguir trabajando.

⚠ ADVERTENCIA: no coloque las manos dentro del conducto de descarga ni ubique ninguna parte del cuerpo frente al soplador de nieve cuando la unidad esté en funcionamiento o cuando el paquete de baterías esté instalado. Antes de eliminar obstrucciones, asegúrese de que todas las piezas móviles se hayan detenido y de que el paquete de baterías se haya retirado. De lo contrario, pueden producirse lesiones personales graves.

- Tenga en cuenta la dirección del viento antes de empezar a trabajar. Si es posible, descargue la nieve en la misma dirección del viento para evitar que esta lo golpee en la cara.
- Algunas piezas del soplador de nieve pueden congelarse en condiciones climáticas extremas. No intente hacer funcionar la unidad si algunas de sus piezas están congeladas.
- Cuando termine, deje que el motor siga funcionando por unos minutos más para evitar que las piezas móviles se congelen y mueva la manija de rotación del conducto varias veces hacia delante y hacia atrás para eliminar el hielo que pudo haberse acumulado. Asegúrese de quitar la nieve y el hielo de la base del conducto.
- En condiciones con nieve y frías, es posible que algunos controles y algunas piezas móviles se congelen. No utilice una fuerza excesiva cuando intente utilizar controles congelados. Si tiene dificultad para utilizar cualquier control o pieza, arranque el soplador de nieve tal y como se indica en la sección “**ARRANQUE/ PARADA DEL SOPLADOR DE NIEVE**” y deje que funcione durante unos minutos.

MANTENIMIENTO

⚠ ADVERTENCIA: Para evitar lesiones corporales graves, retire siempre el paquete (los paquetes) de batería del producto cuando realice limpieza o cualquier mantenimiento.

⚠ ADVERTENCIA: Cuando haga servicio de ajustes y reparaciones, utilice solo piezas de repuesto idénticas. Es posible que el uso de cualquier otra pieza cree un peligro o cause daños al producto. Para garantizar la seguridad y la confiabilidad, todas las reparaciones deberán ser realizadas por un técnico de servicio calificado.

AVISO: Inspeccione periódicamente todo el producto para determinar si hay piezas dañadas, si faltan piezas y si hay piezas flojas, tales como tornillos, tuercas, pernos, tapas, etc. Apriete firmemente todos los sujetadores y todas las tapas, y no utilice este producto hasta que todas las piezas que falten o que estén dañadas hayan sido reemplazadas.

MANTENIMIENTO GENERAL

Evite utilizar solventes cuando limpie las piezas de plástico. La mayoría de los plásticos son susceptibles a los daños por diversos tipos de solventes comerciales y es posible que resulten dañados por el uso de los mismos. Utilice paños limpios para retirar la suciedad, el polvo, el aceite, la grasa, etc.

⚠ ADVERTENCIA: No deje en ningún momento que líquidos de freno, gasolina, productos a base de petróleo, aceites penetrantes, etc., entren en contacto con las piezas de plástico. Las sustancias químicas pueden dañar, debilitar o destruir el plástico, lo cual puede tener como resultado lesiones corporales graves.

LUBRICACIÓN DE LA MÁQUINA

Todos los cojinetes de este producto están lubricados con una cantidad de lubricante de alta calidad suficiente para la vida útil de la unidad en condiciones de utilización normales. Por lo tanto, no se requiere lubricación adicional de los cojinetes.

REEMPLAZO DE LA BARRA RASCADORA

⚠ ADVERTENCIA: Asegúrese de apagar la unidad y retirar el paquete (los paquetes) de batería antes de realizar cualquier tarea de mantenimiento en su soplador de nieve.

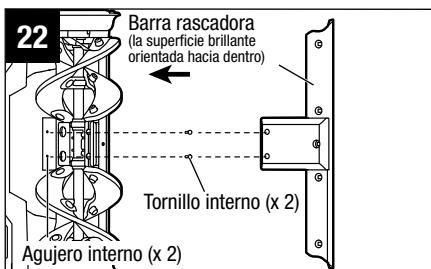
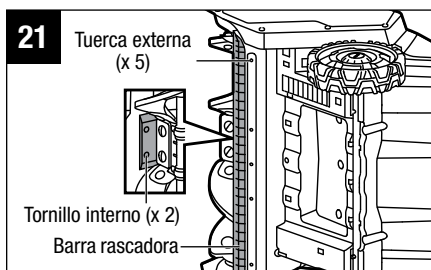
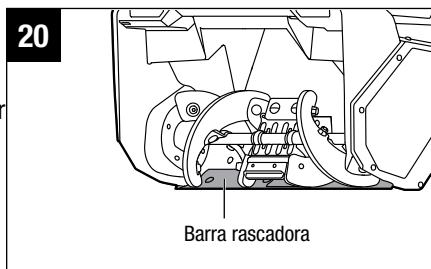
Herramientas necesarias (no incluidas):

- Llave de boca abierta de 5/16 de pulgada (8 mm)
- Destornillador Torx T20

1. La barra rascadora está ubicada en la parte inferior del soplador de nieve debajo de la barrena (Fig. 20).
2. Voltee el soplador de nieve sobre su lado (Fig. 21).

3. Para reducir el riesgo de lesiones, use guantes. Retire los 5 conjuntos de tuercas, arandelas elásticas y pernos del exterior y retire los 2 tornillos Torx del interior. Retire la barra rascadora del soplador de nieve (Fig. 21).

4. Instale la barra rascadora nueva en el soplador de nieve con la superficie brillante orientada hacia el interior de la plataforma (Fig. 22).
5. Alinee los agujeros de montaje ubicados en la barra rascadora con los agujeros ubicados en la plataforma de acero. Inserte los 2 tornillos Torx en los agujeros de montaje desde la superficie brillante interna de la barra rascadora y apriételes (Fig. 22).



6. Inserte los 5 pernos en los agujeros de montaje de la superficie brillante interna de la barra rascadora (Fig. 23a). Coloque las arandelas elásticas y las tuercas en los pernos (desde el exterior de la plataforma) y sujete firmemente la barra rascadora a la plataforma (Fig. 23b).

REEMPLAZO DE LAS PALETAS DE CAUCHO Y LAS BARRENAS DE CAUCHO (Fig. 24)

Si las paletas de caucho y las barrenas de caucho se desgastan, se agrietan excesivamente, se deshilachan o se dañan de alguna otra manera, reemplácelas.

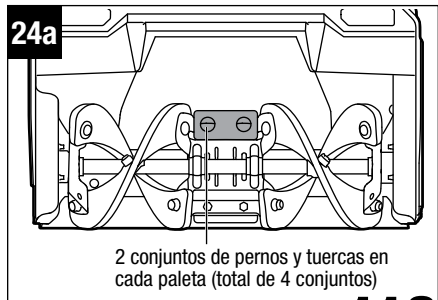
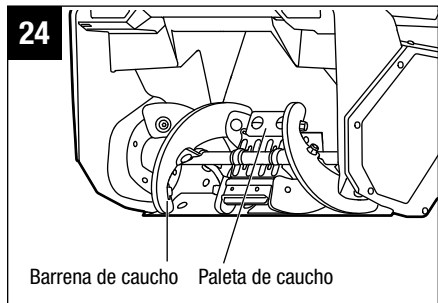
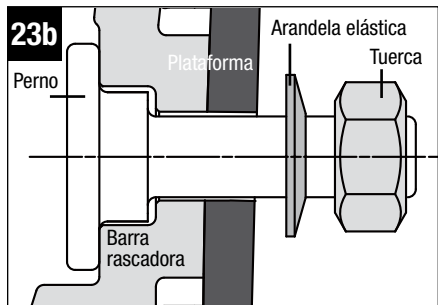
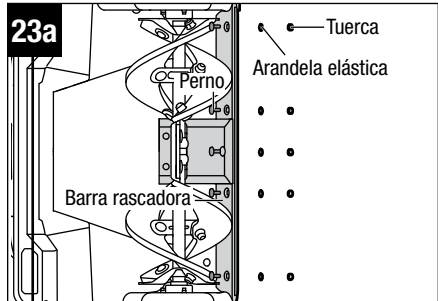
⚠ ADVERTENCIA: Asegúrese de apagar la unidad y retirar el paquete (los paquetes) de batería antes de realizar cualquier tarea de mantenimiento en su soplador de nieve.

Para reemplazar las paletas de caucho: (Fig. 24a)

Herramientas necesarias (no incluidas):

- Destornillador de cabeza plana.
- Llave de boca abierta de 13/32 de pulgada (10 mm)

1. Use guantes. Rote manualmente la barrena de acero hasta la posición adecuada para desensamblar fácilmente la paleta de caucho.

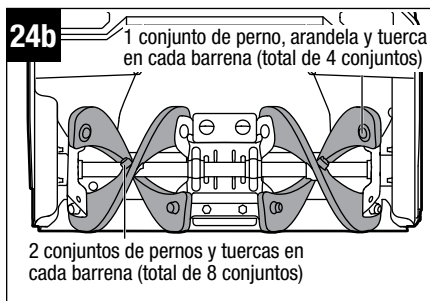


2. Retire todos los pernos y todas las tuercas de fijación para desinstalar las paletas de caucho.
3. Reemplácelas por las paletas de caucho nuevas y apriételas firmemente.

Para reemplazar las barrenas de caucho: (Fig. 24b)

Herramientas necesarias:

- Llave de boca abierta de 17/32 de pulgada (13 mm)
 - Llave hexagonal de 3/16 de pulgada (5 mm) (suministrada)
1. Use guantes. Rote manualmente la barrena hasta la posición adecuada para desensamblar fácilmente la barrena de caucho.
 2. Retire todos los pernos y todas las tuercas de fijación para desinstalar las barrenas de caucho.
 3. Reemplácelas por las barrenas de caucho nuevas y apriételas firmemente.



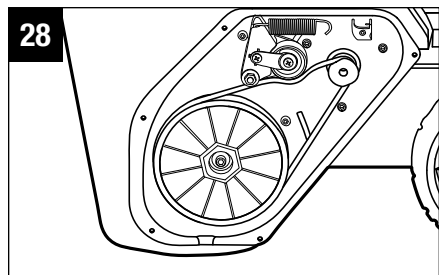
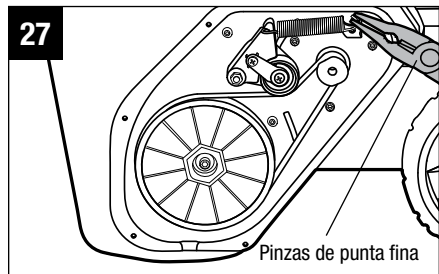
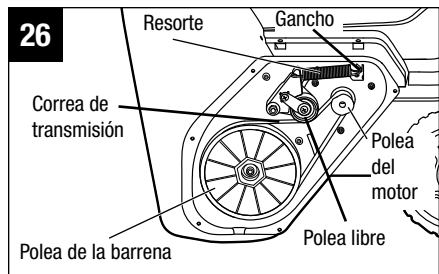
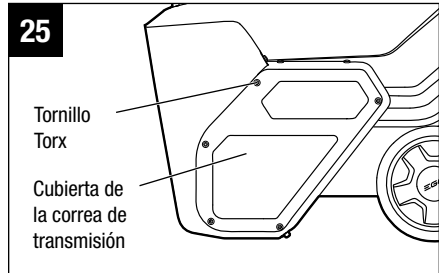
REEMPLAZO DE LA CORREA DE TRANSMISIÓN

Si la correa de transmisión se desgasta, se empapa de aceite, se agrieta excesivamente, se deshilacha o se daña de alguna otra manera, reemplácela.

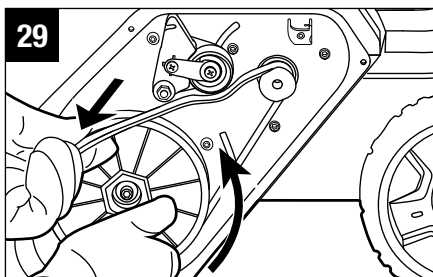
⚠ ADVERTENCIA: Asegúrese de apagar la unidad y retirar el paquete (los paquetes) de batería antes de realizar cualquier tarea de mantenimiento en su soplador de nieve.

Herramientas necesarias (no incluidas):

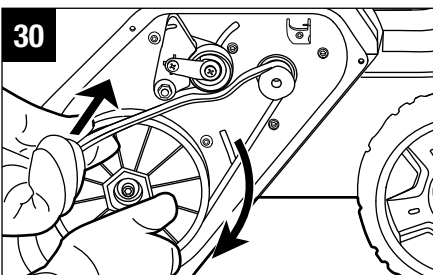
- Destornillador Torx T20
 - Alicates de punta fina
1. Utilice un destornillador Torx T20 (no incluido) para retirar la cubierta de la correa de transmisión, sacando los 9 tornillos Torx de la manera que se muestra en la Fig. 25.
 2. Utilice unos alicates de punta fina (no incluidos) para retirar el resorte del gancho con el fin de reducir la tensión de la correa (Fig. 27 y 28).



3. Retire la correa de transmisión girando lentamente la polea de la barrena en sentido contrario al de las agujas del reloj mientras jala la correa hacia fuera (Fig. 29).
4. Instale la correa de transmisión nueva rotándola sobre las poleas (Fig. 30).



Consejos: Rote primero la correa de transmisión nueva alrededor de la polea del motor, luego alrededor de la polea loca y, finalmente, alrededor de la polea de la barrena. Gire lentamente la polea de la barrena en el sentido de las agujas del reloj para hacer avanzar la correa hacia dentro (Fig. 26).



5. Utilice unos alicates de punta larga (no incluidos) para instalar el resorte en el gancho con el fin de tensar la correa de transmisión (Fig. 27).
6. Reinstale la cubierta de la correa de transmisión y fíjela con los 9 tornillos Torx que retiró en el paso 1 (Fig. 25).

ALMACENAMIENTO DEL SOPLADOR DE NIEVE

⚠ PRECAUCIÓN: Asegúrese de que toda la nieve derretida que pueda gotear del soplador de nieve sea retirada adecuadamente para prevenir un peligro de resbalamiento y caída.

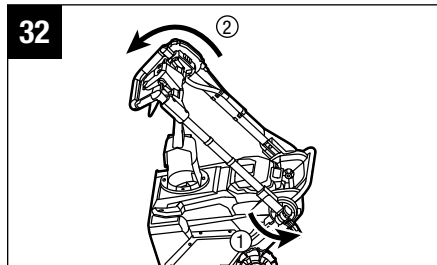
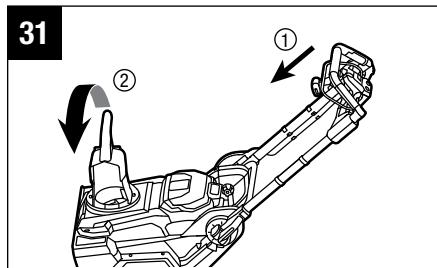
- Retire el paquete o los paquetes de batería y almacénelos en un lugar seguro fuera del alcance de los niños.

NOTA: Cuando no se esté utilizando, una batería de 56 V se deberá almacenar en un área cerrada donde la temperatura no descienda por debajo de -4°F (-20°C). Las temperaturas de carga óptimas son 41°F – 104°F (5°C – 40°C). Antes de almacenar la unidad, elimine con un paño la humedad, la suciedad o los residuos del compartimiento de la batería y alrededor del mismo.

- Limpie el soplador de nieve con un paño limpio y seco.
- Compruebe el apriete de todas las tuercas, pernos, perillas, tornillos, etc.
- Inspeccione las piezas móviles para determinar si tienen daños, roturas y desgaste. Haga que se realicen reparaciones en cualquier pieza dañada o que falte.
- Pliegue los rieles laterales hasta la posición de almacenamiento.
- Almacene el soplador de nieve en un lugar limpio, seco, cerrado y fuera del alcance de los niños.
- No almacene la unidad cerca de materiales corrosivos, tales como fertilizante o sal de roca.

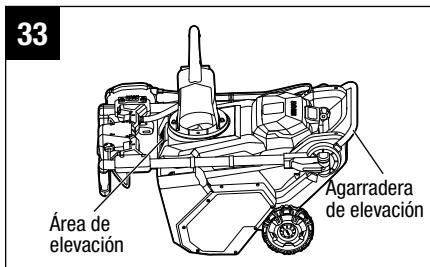
PLIEGUE DE LOS RIELES LATERALES

1. Empuje el mango de rotación del conducto de descarga completamente hacia delante, de manera que el conducto de descarga esté orientado hacia la izquierda, lo cual asegurará que no se cause interferencia al plegar. Apriete el gatillo ubicado en el mango del deflector del conducto de descarga para inclinarlo completamente hacia abajo (Fig. 31).
2. Abra las palancas de liberación rápida ubicadas a ambos lados para plegar los rieles laterales hasta la posición de almacenamiento (Fig. 32).



LEVANTAMIENTO Y TRANSPORTE DEL SOPLADOR DE NIEVE

1. Retire el paquete (los paquetes) de batería.
2. Pliegue los rieles laterales tal y como se describe en el capítulo anterior.
3. Levante y transporte la unidad agarrando la agarradera de elevación con una mano y el área de elevación, ubicada encima de la entrada de nieve (justo debajo del logotipo de EGO), con la otra mano (Fig. 33).



⚠ ADVERTENCIA: ¡El soplador de nieve es pesado! Levántelo con las piernas, no con la espalda.

SOLUCIÓN DE PROBLEMAS

⚠ ADVERTENCIA: retire el paquete de baterías antes de transportar el soplador de nieve o efectuarle tareas de mantenimiento. Use guantes para protegerse las manos cuando lleve a cabo tareas de mantenimiento a la barrena o la barra raspadora del soplador de nieve.

PROBLEMA	CAUSA	SOLUCIÓN
Los rieles laterales no permanecen en la posición correcta.	<ul style="list-style-type: none"> ■ Las perillas de fijación ubicadas en los rieles laterales y/o las palancas de liberación rápida no están firmemente sujetas. 	<ul style="list-style-type: none"> ■ Asegúrese de que las perillas de fijación ubicadas en los rieles laterales estén completamente apretadas y que las palancas de liberación rápida estén completamente cerradas.
El soplador de nieve no arranca.	<ul style="list-style-type: none"> ■ La carga de la batería está baja. ■ La barrena está congelada por nieve o hielo. ■ El paquete de batería está sobrecalentado. El indicador LED ubicado en el paquete (los paquetes) de batería parpadea en naranja o se enciende o en rojo (consulte la sección “PROTECCIÓN CONTRA ALTAS TEMPERATURAS DE LA BATERÍA” de este manual). ■ Se han realizado incorrectos para encender el soplador de nieve. ■ Falla no identificada 	<ul style="list-style-type: none"> ■ Cargue la batería. ■ Retire primero el paquete (los paquetes) de batería y luego utilice la herramienta de limpieza para despejar la nieve o el hilo que obstruyen la barrena. Reinstale los paquetes de batería y rearranque el soplador de nieve. ■ Retire el paquete (los paquetes) de batería sobrecalentados del soplador de nieve y espere hasta que el paquete o los paquetes de batería se enfríen hasta aproximadamente 152 °F (67 °C). Reinstale el paquete (los paquetes) de batería y rearranque el soplador de nieve. ■ (1) Presione el botón de seguridad hasta que el indicador de alimentación eléctrica parpadee en verde. (2) Con el botón presionado, jale hacia arriba el mango tipo agarradera para llegar a la agarradera principal. ■ Contacte a un centro de servicio EGO para la reparación.

PROBLEM	CAUSE	SOLUTION
El motor está encendido, pero la barrena no gira.	<ul style="list-style-type: none"> La correa de transmisión está desgastada o rota. 	<ul style="list-style-type: none"> Reemplace la correa de transmisión siguiendo la sección “REEMPLAZO DE LA CORREA DE TRANSMISIÓN” de este manual.
Después de pasar, el soplador de nieve deja una capa de nieve en el piso.	<ul style="list-style-type: none"> La barra rascadora está desgastada. 	<ul style="list-style-type: none"> Reemplace el rascador siguiendo la sección “REEMPLAZO DE LA BARRA RASCADORA” de este manual.
El soplador de nieve lanza menos nieve.	<ul style="list-style-type: none"> Las paletas de caucho están desgastadas. Puede que la velocidad de la barrena sea demasiado baja. 	<ul style="list-style-type: none"> Reemplace las paletas de caucho siguiendo la sección “PARA REEMPLAZAR LAS PALETAS DE CAUCHO” de este manual. Aumente la velocidad de la barrena.
La barrena no consigue tracción y se requiere un esfuerzo adicional para empujar hacia delante el soplador de nieve.	<ul style="list-style-type: none"> Las barrenas de caucho están desgastadas. 	<ul style="list-style-type: none"> Reemplace las barrenas de caucho siguiendo la sección “PARA REEMPLAZAR LAS BARRENAS DE CAUCHO” de este manual.
El área de agarre no se calienta.	<ul style="list-style-type: none"> La función de calentamiento se apagará automáticamente cuando el soplador de nieve esté inactivo durante 10 minutos. 	<ul style="list-style-type: none"> Presione el interruptor de calentamiento del agarre para reiniciar el calentamiento.

GARANTÍA

POLÍTICA DE GARANTÍA

Garantía limitada de 5 años en equipos de energía para exteriores y energía portátil EGO POWER+ para uso doméstico personal.

Garantía limitada de 3 años en paquetes de baterías y cargadores con el Sistema EGO POWER+ para uso doméstico personal.

Garantía limitada de 2 años/1 año en equipos de energía para exteriores, energía portátil, paquetes de baterías y cargadores EGO para uso profesional y comercial.

Los períodos de garantía detallados por productos se pueden encontrar en línea en <http://egopowerplus.com/pages/warranty-policy>.

Póngase en contacto con Servicio al Cliente de EGO de manera gratuita al 1-855-EGO-5656, cuando tenga preguntas o reclamaciones de garantía.

GARANTÍA LIMITADA DE SERVICIO

Los productos EGO están garantizados contra defectos de material o de fabricación a partir de la fecha de compra original al por menor durante el período de garantía aplicable. El producto defectuoso será reparado gratuitamente.

- a) Esta garantía se aplica solo al comprador original del distribuidor minorista autorizado de EGO y podría no ser transferible. Los distribuidores minoristas autorizados de EGO se identifican en línea, en <http://egopowerplus.com/pages/warranty-policy>.
- b) El período de garantía para productos reacondicionados o certificados de fábrica que se utilizan para fines residenciales es de 1 año, para fines industriales, profesionales o comerciales es de 90 días.
- c) El período de garantía para piezas del mantenimiento de rutina, incluidas, entre otras, cuchillas, cabezales de orilladoras, listones de cadenas, cadenas de motosierras, correas, barras raspadoras, boquillas de sopladores y todos los demás accesorios EGO, es de 90 días con fines residenciales y de 30 días para propósitos industriales, profesionales o comerciales. Estas piezas tienen cobertura durante 90/30 días por defectos de fabricación en condiciones normales de trabajo.
- d) Esta garantía queda nula si el producto se ha puesto en alquiler.

- e) Esta garantía no cubre daños producto de modificaciones, alteraciones o reparaciones no autorizadas.
- f) Esta garantía solo cubre defectos que surjan del uso normal y no cubre el mal funcionamiento, las fallas ni los defectos que resulten del mal uso, el abuso (que incluye la sobrecarga del producto más allá de su capacidad y sumergirlo en agua o en cualquier otro líquido), accidentes, negligencia o falta de instalación adecuada y mantenimiento o almacenamiento inadecuados.
- g) Esta garantía no cubre el deterioro normal del acabado exterior, incluidos, entre otros, rayones, abolladuras, trozos de pintura o cualquier corrosión o decoloración producida por el calor o limpiadores químicos y abrasivos.

CÓMO OBTENER EL SERVICIO

Para obtener el servicio de garantía, póngase en contacto con Servicio al Cliente de EGO de manera gratuita al **1-855-EGO-5656**. Cuando pida un servicio cubierto por la garantía, debe presentar el recibo con la fecha original de venta. Un centro de servicio autorizado será seleccionado para reparar el producto de acuerdo con los términos establecidos en la garantía. Cuando lleve el producto al centro de servicio autorizado, es posible que deba hacer un pequeño depósito cuando deje la herramienta. Este depósito se reembolsará cuando se considere que el servicio de reparación se haya cubierto con la garantía.

LIMITACIONES ADICIONALES

En la medida en que la ley aplicable lo permita, se deniegan todas las garantías implícitas, inclusive las garantías de COMERCIALIZADIDAD o IDONEIDAD PARA UN PROPÓSITO ESPECÍFICO. Todas las garantías implícitas, inclusive las garantías de comerciabilidad o idoneidad para un propósito específico, que no se puedan denegar bajo la ley estatal, están limitadas al período de garantía aplicable definido al comienzo de este artículo.

Chervon North America no se hará responsable por daños directos, indirectos, accidentales o resultantes.

Algunos estados no permiten limitaciones con respecto a la duración de una garantía implícita y/o no permiten la exclusión o limitación de daños accidentales o resultantes, de modo que las limitaciones antes descritas podrían no aplicarse en su caso.

Esta garantía le otorga derechos legales específicos, pero podría tener también otros derechos que varían según el estado.



Para obtener el servicio al cliente, póngase en contacto con nosotros de manera gratuita al: **1-855-EGO-5656** o visite: **EGOPOWERPLUS.COM**
EGO Customer Service, 769 SEWARD AVE NW / Suite 102 Grand Rapids, MI 49504

02/2022

