

ELECTRIC RANGE

# INSTALLATION INSTRUCTION

MER30S2AST/MER30S2AWW/MER30S2ABB

**Important:** Save for the local electrical inspector's use.

Warning notices: Before using this product, please read this manual carefully and keep it for future reference. The design and specifications are subject to change without prior notice for product improvement. Consult with your dealer or manufacturer for details. The diagram above is just for reference. Please take the appearance of the actual product as the standard.

## THANK YOU LETTER

Thank you for choosing Midea! Before using your new Midea product, please read this manual thoroughly to ensure that you know how to operate the features and functions that your new appliance offers in a safe way.

# CONTENTS

THANK YOU LETTER-----	EN-01
IMPORTANT SAFETY INSTRUCTIONS -----	EN-02
PRODUCT INSTALLATION -----	EN-08
TROUBLESHOOTING -----	EN-25
TRADEMARKS, COPYRIGHTS AND LEGAL STATEMENT --	EN-31
DATA PROTECTION NOTICE -----	EN-32

# IMPORTANT SAFETY INSTRUCTIONS

## Intended Use

The following safety guidelines are intended to prevent unforeseen risks or damage from unsafe or incorrect operation of the appliance. Please check the packaging and appliance on arrival to make sure everything is intact to ensure safe operation. If you find any damage, please contact the retailer or dealer. Please note modifications or alterations to the appliance are not allowed for your safety concern. Unintended use may cause hazards and loss of warranty claims.

## Explanation of Symbols



### **Danger**

This symbol indicates that there are dangers to the life and health of persons due to extremely flammable gas.



### **Warning of electrical voltage**

This symbol indicates that there is a danger to life and health of persons due to voltage.



### **Warning**

The signal word indicates a hazard with a medium level of risk which, if not avoided, may result in death or serious injury.



### **Caution**

The signal word indicates a hazard with a low degree of risk which, if not avoided, may result in minor or moderate injury.



### **Attention**

The signal word indicates important information (e.g. damage to property), but not danger.



### **Observe instructions**

This symbol indicates that a service technician should only operate and maintain this appliance in accordance with the operating instructions.

Read these operating instructions carefully and attentively before using/commissioning the unit and keep them in the immediate vicinity of the installation site or unit for later use!

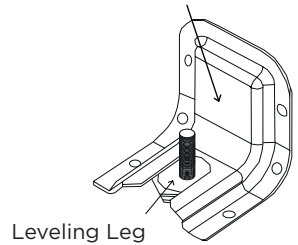
## **⚠ WARNING** **TIP OVER HAZARD**

A child or adult can tip the range and be killed. Verify the anti-tip device has been properly installed and engaged per installation instructions. Ensure the anti-tip device is re-engaged when the range is moved. Do not operate the range without the anti-tip device in place and engaged. Failure to do so can result in death or serious burns to children or adults. Do not remove the leveling legs. Doing so will prevent the range from being secured by the anti-tip device.

To confirm the anti-tip bracket is properly installed, look underneath the range to confirm rear leveling leg is engaged in the bracket. If visual inspection is not possible:

- Slide range forward
- Confirm anti-tip bracket is securely attached to floor or wall in correct position according to installation instructions.
- Fully slide the range back against the wall so that leveling leg engages with anti-tip bracket.

If range is removed from service, secure door closed or remove door to minimize tip over risk. (See "Door" section under "Cleaning and Maintenance" in this manual for instructions on how to remove door.)



## **⚠ WARNING**

### **INSTALLATION AND MAINTENANCE**

- This appliance is intended for normal residential use. It is not approved for commercial use, outdoor installation, or any other application not specifically allowed by this manual.
- Be sure your appliance is properly installed and grounded by a qualified service provider.
- Installer shall leave all instructions, including this manual, conversion instructions, and anti-tip bracket instructions, with the owner/resident, with directions to retain for future reference.
- Do not operate this appliance if it has been damaged or is not working properly. Contact a qualified service provider for repairs.
- Do not repair or replace any part of the appliance unless specifically recommended in the manual. All other servicing should be referred to a qualified service provider.
- Do not use oven cleaners. No commercial oven cleaner or oven liner protective coating of any kind should be used with any part of this appliance.
- This appliance requires connection to a 3-prong or 4-prong, 240VAC split-phase, 60Hz grounded electrical source. When installed, appliance must be electrically grounded in accordance with local codes or, in the absence of local codes, with the National Electrical Code, NFPA 70 or the Canadian Electric Code, CSA C22.1-02.

## **⚠ WARNING**

### **GENERAL USAGE**

- Do not store any flammable materials or temperature sensitive items inside oven, in storage drawer, or on top or near cooktop heating elements of the appliance.
- Do not allow anyone to climb, stand, lean, sit, or hang on any part of an appliance, especially a door or drawer.
- This appliance has not been evaluated for use with any 3rd party after-market systems.

## **⚠ WARNING**

### **COOKTOP HAZARD**

- Do not cook on a broken glass cooktop - If cooktop should break, cleaning solutions and spillovers may penetrate the broken cooktop and create a risk of electric shock. Contact a qualified service provider immediately for repairs.
- In the event that personal clothing or hair catches fire, drop and roll immediately to extinguish flames.

## **⚠ WARNING**

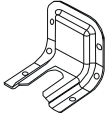
### **OVEN HAZARDS**

- Never place anything (aluminum foil, spill mat, baking stone, cookware, etc.) on the bottom of the oven cavity. These items can trap heat or melt, resulting in damage to the appliance and risk of electric shock, smoke, or fire.
- Do not obstruct oven vents or any other slots or openings on the unit.

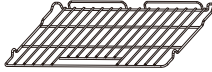
## BEFORE STARTING INSTALLATION

### Parts Included with Product

Packed with the product are the following oven components and accessories. When product is first unpacked, verify that all these components are present. If anything is missing, check the packaging materials carefully for missing items. If items cannot be located, contact Midea customer service at 1-866-646-4332 or visit [midea.com/us/support](http://midea.com/us/support) for assistance.



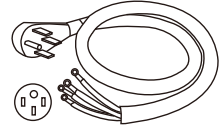
Anti-Tip Bracket  
Kit



Wire Rack



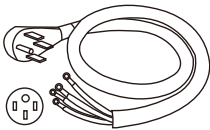
Owner's Manual



4-prong 240VAC  
Power Cord, Rated  
50A (Products sold in  
Canada only)

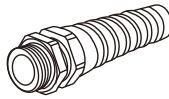
### Materials Needed:

The utility connection and house structure at each home may be different, so the specific parts required for connection to the house are not included with the product. The parts identified below are or may be required to complete the installation. Always use new components - never use an old part for new range installation.

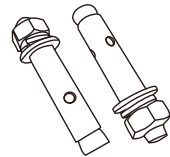


14-50P GETWIREDUSA  
FX359

(not applicable to  
products sold in Canada  
- these are provided with  
power cord)



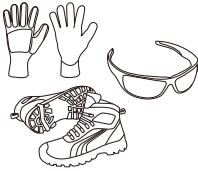
Strain Relief for Power  
Cord (supplied with cord  
kit)



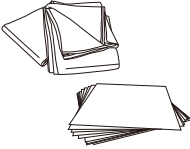
5/16" OD Sleeve Anchor  
(with 1/4" bolt) - 2 pcs  
(for concrete floors only)

**Tools Needed:**

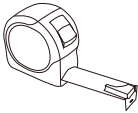
To complete the installation, have the following tools readily available:



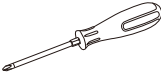
Cut Resistant Gloves, Safety Glasses or Goggles, and Steel-Toed Shoes (for your safety and protection)



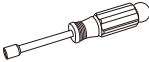
Drop Cloth or Cardboard (optional - to protect floor)



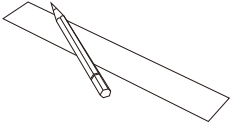
Tape Measure (to confirm installation space)



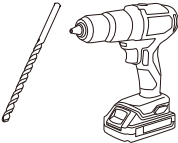
Phillips Screwdriver (to access serviceable covers)



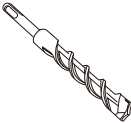
Nut Driver (for electrical connections)



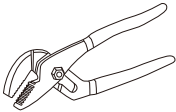
Pencil and Ruler (for anti-tip bracket installation)



Drill and 1/8" Drill Bit (for anti-tip bracket installation)



Masonry Drill Bit (for anti-tip bracket installation - concrete floors only)



Adjustable Groove -Joint or Gooseneck Pliers (for leveling product)



Level (for leveling product)



# PRODUCT INSTALLATION

## Remove Old Appliance

### WARNING

#### FIRE, EXPLOSION HAZARD

- Installation and service must be performed by a qualified installer or service agency.

### CAUTION

#### LACERATION, FOREIGN OBJECT, CRUSH HAZARD

- When installing, moving, or servicing any appliance, wear proper protective equipment, including cut resistant gloves, steel-toed shoes, and safety glasses.

If the new range is replacing an existing installation, first remove the old appliance.

#### Directions:

- Shut off the electrical supply to the range at the breaker box or fuse box. Leave it off until the installation has been completed.
- Move appliance to access the electrical connections.
- Disconnect electrical connections and move appliance out of and away from installation space.

## Electrical Supply Requirements

### WARNING

#### ELECTRICAL SHOCK HAZARD

- Installation must be electrically grounded in accordance with local codes or, in the absence of local codes, with the National Electrical Code, NFPA 70 or the Canadian Electric Code, CSA C22.1-02.

## Clearances and Dimensions:

### IMPORTANT

#### TO PREVENT DAMAGE TO CABINETS

- This range has been designed to comply with the maximum allowable wood cabinet temperature of 194 °F (90 °C). Make sure the wall coverings, countertops, cabinets, and any other materials in contact with the range are rated for a minimum of 194 °F (90 °C). If not, discoloration, delamination, or melting may occur.

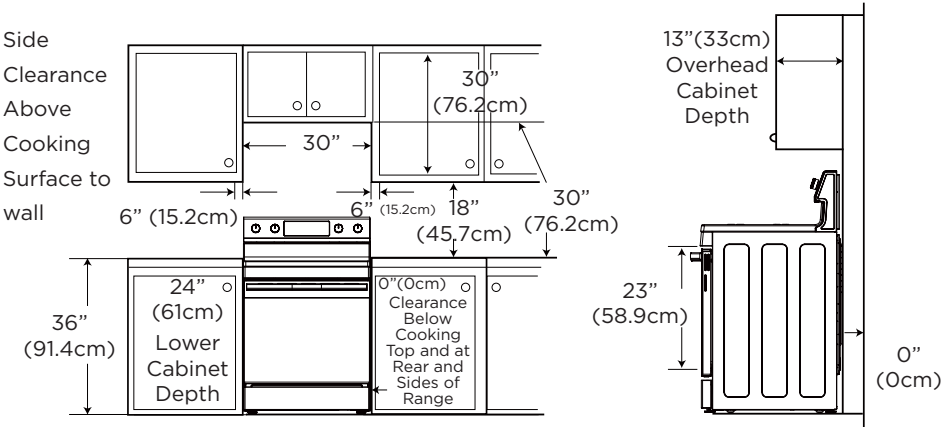
Before starting the installation process, confirm the installation space meets the following dimensions and clearances. Do not locate the range where it may be subject to strong drafts - seal any openings in the wall, floor, or cabinets in the installation space. Provide adequate clearances between the range and adjacent combustible surfaces. These dimensions must be met for safe use of the range. The given dimensions provide minimum clearance. Contact surface must be solid and level.

The minimum clearance is 0" for the rear of the range. Follow all dimension requirements to prevent property damage, potential fire hazard, and incorrect countertop and cabinet cuts.

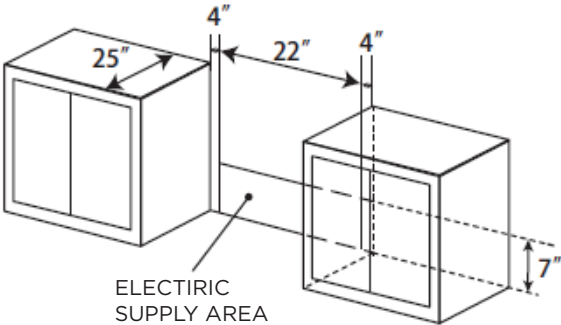
Countertop surfaces immediately around installation space must be flat and level for proper installation.

When the floor covering (hardwood flooring, tile, carpet, etc.) ends at the front of the range, the area that the range will be installed on must be built up with plywood to the same level or higher than the floor covering. This will allow the range to be moved for cleaning and servicing, as well as provide proper air flow to the range.

Ensure floor covering material can resist temperatures of at least 167 °F (75 °C). Ensure the wall coverings, countertops, cabinets, and any other materials in contact with the range can resist the heat generated up to 194 °F (90 °C) by the range.

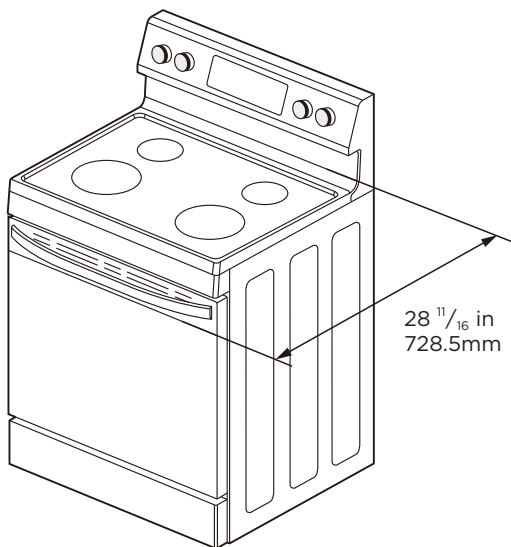
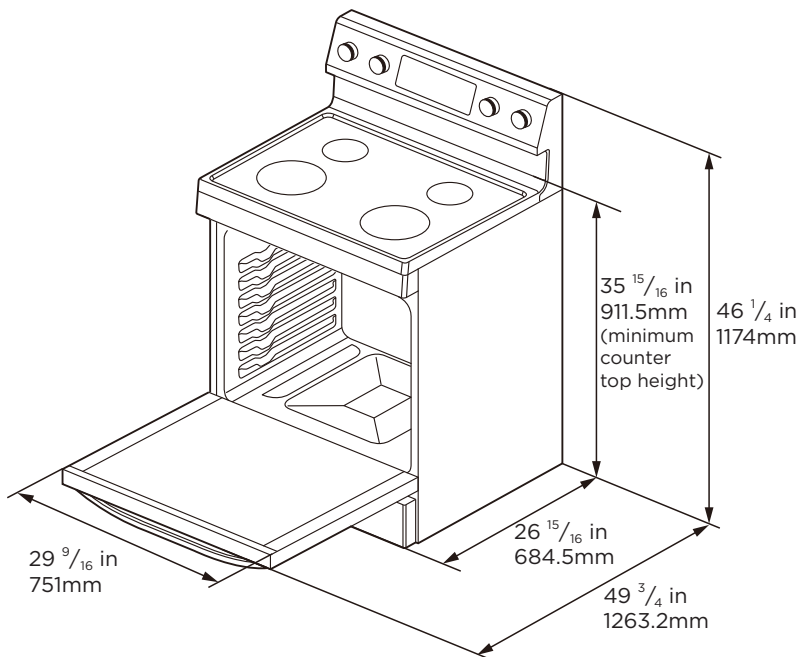


**FREESTANDING CUTOUT**

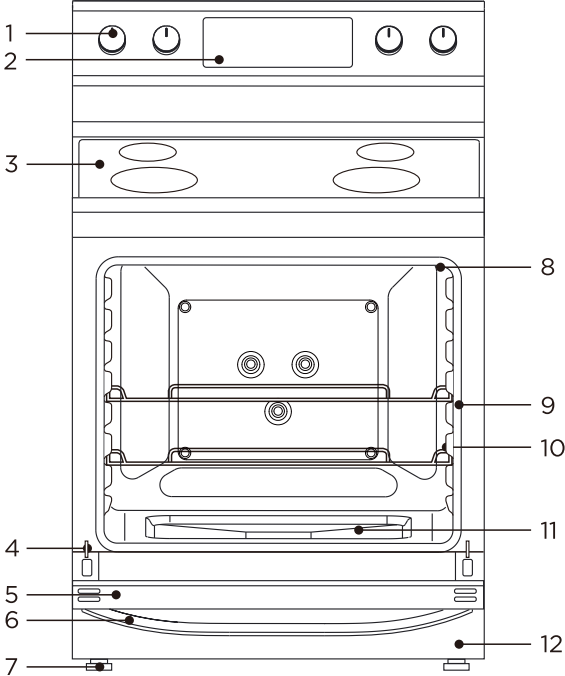


**Product Specifications**

Description	Electric Free Standing Oven	
Voltage	120/208VAC 40Amp	120/240VAC 50Amp
Electric power	7240W	9640W
Exterior Dimensions	46 1/4 H x 29 7/8 W x 26 15/16 D	
Height to Cooking Surface	in 36" (91.4cm)	
Net Weight	78kg (172 lbs)	
Oven Capacity	6.3 cu. ft.	
Power Ratings	Refer to rating plate label	



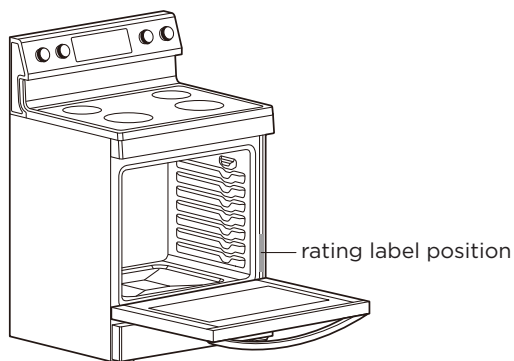
# Range Overview



- 1. Cooktop Knob
- 2. Control Panel
- 3. Ceramic Glass Surface
- 4. Door Hinge (each side)
- 5. Door
- 6. Door Handle
- 7. Adjustable Feet
- 8. Oven Light
- 9. Door Gasket
- 10. Rack Positions
- 11. Oven Bottom
- 12. Storage Drawer

## Rating Plate Label Location

The rating plate label contains appliance certification, rating, and identification information. The model and serial number from the rating plate label is needed to register the product, order replacement parts, or when contacting customer service. The rating plate label is located in the cavity front frame on either the left or right side panel.



## Installation Procedure

### Packaging Removal:

#### **▲ IMPORTANT**

#### **TO PREVENT DAMAGE TO APPLIANCE**

- Failure to remove packaging materials could result in damage to the appliance.

Remove all tape and packaging materials. Check for film on stainless steel parts, padding/spacers on and around door and face of oven, cardboard and plastic on and around racks, inside storage drawer, etc. Do not use sharp instruments, rubbing alcohol, flammable fluids, or abrasive cleaners to remove tape or glue. These products can damage the surface of your range. Inventory all loose parts against the "Parts Supplied" list.

Check for shipping damage and/or missing parts. Any damage and/or missing parts should be reported to your local retailer.

To reduce the weight of the range while being moved, adjusted, and installed, leave the any other accessories to the side until they are ready to be installed later in these instructions.

## Door Removal and Reinstallation:

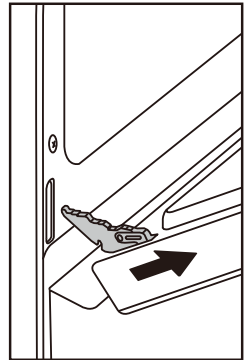
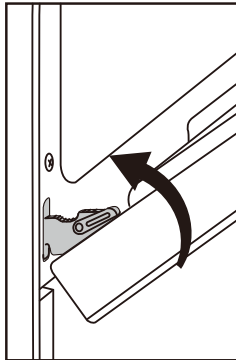
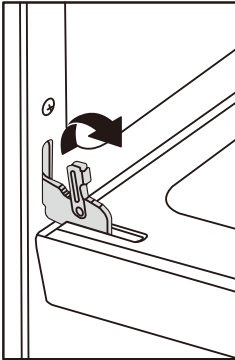
### **⚠ WARNING** **FIRE HAZARD**

- If door is removed, confirm that door operates correctly and seals properly when reinstalled. If door gasket does not seal completely, heat escaping from around doors could ignite cabinetry.

During installation, service, and leveling, it may be easier to perform the necessary work if the oven door is removed. This makes the appliance lighter and access to the oven cavity easier. Follow these instructions below to remove and reinstall the door.

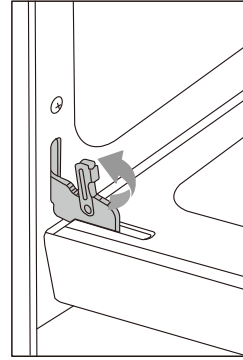
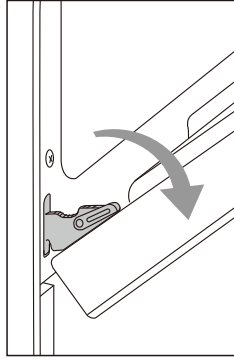
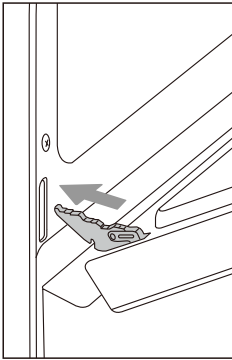
Door can be removed for easier cleaning, servicing, or installation:

1. Opendoorfully.
2. On each door hinge, flip down the lock mechanism so that it engages with the door when the door is rotated towards being closed.
3. Once both lock mechanisms are engaged, continue to rotate do until ~2-3 inches from being fully closed.
4. Grasp door firmly from the sides and lift door up and out from oven face. Do not lift door by door handle to reduce risk of broken door glass.



## Reinstalling Door

1. Holding door from the sides, align door so that hinges slip back into openings.
2. Rotate door until -2-3 inches from being fully closed, allow door to drop into notches on hinges.
3. Rotate door out until fully open.
4. Flip the hinge locking mechanism back up and away from the door.
5. Check that door opens and closes correctly.
6. If door does not operate correctly, re-engage locking mechanisms, remove door, and reattempt installation.



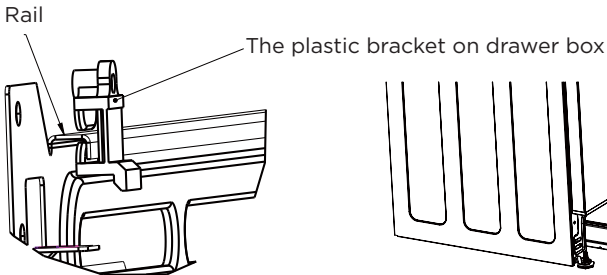
## Drawer Removal and Reinstallation

During installation, service, and leveling, it may be easier to perform the necessary work if the drawer is removed. This makes the appliance lighter and visibility of anti-tip bracket is improved.

Follow these instructions below to remove and reinstall the drawer.

To remove drawer, fully extend drawer until it can't be pulled out and raise the drawer panel up, then pull out the drawer.

To reinstall the drawer, align the rails on the drawer with the slides on the range and push drawer in. Open and close drawer to ensure slide rails are operating properly.





## Anti-Tip Bracket Installation

### **⚠ WARNING** **TIP OVER HAZARD**

- A child or adult can tip the range and be killed. Verify the anti-tip device has been properly installed and engaged per installation instructions. Ensure the anti-tip device is re-engaged when the range is moved.
- Do not operate the range without the anti-tip device in place and engaged. Failure to do so can result in death or serious burns to children or adults. Do not remove the leveling legs. Doing so will prevent the range from being secured by the anti-tip device.

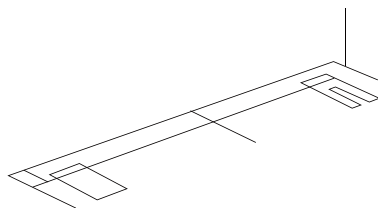
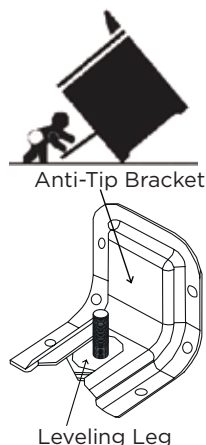
To reduce the risk of tipping of the range, the range must be secured to the floor by the properly installed anti-tip bracket and screws packed with the range. Failure to install the anti-tip bracket will allow the range to tip over if excessive weight is placed on an open door or if child climbs upon it. Serious injury might result from spilled hot liquids or from the range itself.

The anti-tip kit is provided with the range. If the anti-tip bracket is missing, damaged, or needs replaced, a replacement kit will be provided free-of-charge by contacting Midea customer service at **1-866-646-4332** or by visiting **[midea.com/us/support](http://midea.com/us/support)**.

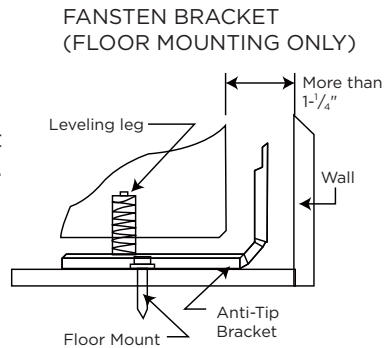
If range is ever moved to a different location, the anti-tip brackets must also be moved and installed with the range. If range is removed from service, secure door closed or remove door to minimize tip over risk. (See "Door Removal and Reinstallation" section in this manual or under "Cleaning and Maintenance" in the User's Manual for instructions on how to remove door.)

Directions:

- Using the template provided with anti-tip kit, locate the preferred location for installation of the anti-tip bracket and mark the location of the screw holes. Bracket may be installed at either the back-left or back-right corner of the installation space. Only one anti-tip bracket needs installed.



- Attach anti-tip bracket to floor or wall.
  - Wood Construction Installation:
    - Drill a 1/8" pilot hole where screws are to be located. If bracket is to be mounted to the wall, drill pilot hole at an approximate 20° downward angle. Screw must enter wood.
  - Masonry Construction Installation:
    - Due to the variety of masonry materials that may be present at installation site, L hardware is not provided for attaching the anti-tip bracket to masonry. If bracket is to be mounted to masonry or ceramic floors, attach anti-tip bracket using two 5/16" OD sleeve anchors (with 1/4" bolt - either hex bolt head or hex nut head) rated for minimum 3001b tension for the masonry material present at installation site.



## Electrical Supply Connection

### **⚠ WARNING** **ELECTRICAL SHOCK HAZARD**

- Installation must be electrically grounded in accordance with local codes or, in the absence of local codes, with the National Electrical Code, NFPA 70 or the Canadian Electric Code, CSA C22.1-O2.
- Do not use an extension cord with this product.
- The power supply cord and plug should not be modified. If it will not fit the outlet, have a proper outlet installed by a qualified electrician.
- Remove the house fuse or open the circuit breaker before beginning installation.
- Effective January 1, 1996, the National Electrical Code requires that new construction (not existing) utilize a 4-conductor connection to an electric range.
- Be sure your appliance is properly installed and grounded by a qualified service provider.

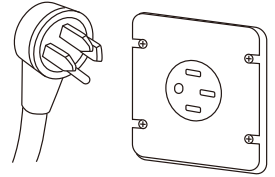
This appliance must be supplied with the proper voltage and frequency, and be connected to an individual, properly grounded branch circuit, protected by a circuit breaker or fuse having amperage as specified on the rating plate. The rating plate is located above the drawer on the oven frame. After installation, instruct the resident/owner where the main range electrical disconnect is located and how to operate it.

A 3-wire or 4-wire, split-phase 208/120 VAC or 240/120 VAC, 60 Hz electrical system must be used.

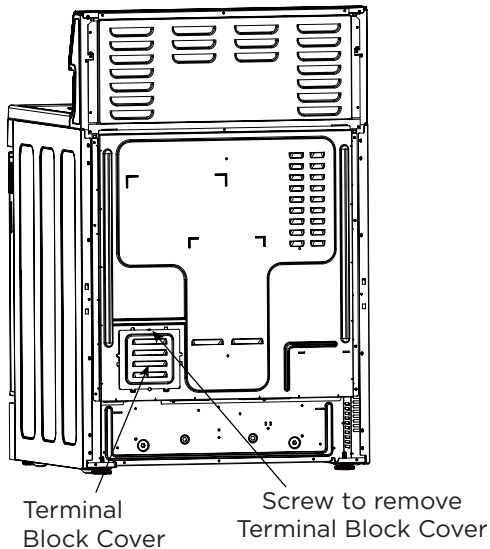
If the electrical service provided does not meet the above specifications, have a licensed electrician install an approved outlet.

Use only a 3-conductor or a 4-conductor UL-listed range cord rated 40A or 50A. These cords may be provided with crimped ring or fork terminals on the wire. A strain relief device must be used when attaching the cord to the range. Because range terminals are not accessible after the range is in position, a flexible service conduit or cord must be used. Allow 2-3 ft of slack in the line so that the range can be moved if servicing is ever necessary.

For Canadian installations, simply plug the attached power cord to the residential outlet. Outlet must be properly grounded and in accordance with the Canadian Electrical Code (CSA Standard C22.1 Part 1) and any local electrical code requirements.

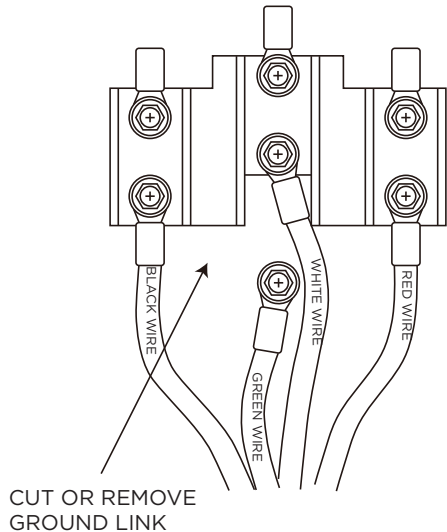
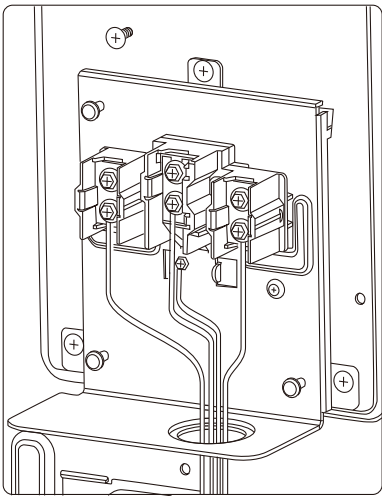


Access the range electrical terminal block by removing the screw attaching the rear access cover on the back of the range.



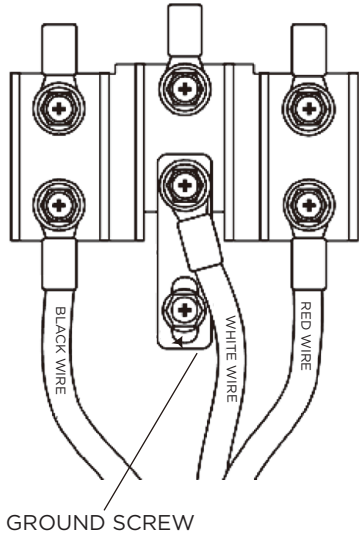
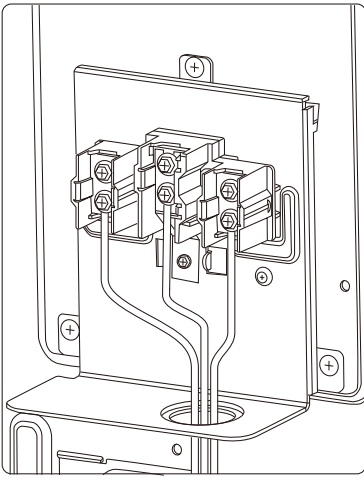
## 4-Prong Power Cord Directions

- Thread the power cord and leads through the opening below the terminal block.
- Secure the cord by attaching the strain relief over the cord insulation jacket. (Strain relief must be placed on the "body" of the cord and not on the "leads.") Place the strain relief such that the leads have enough slack to connect to the terminal block without any stress or tension.
- Remove the 3 screws from the supply side of the terminal block.
- Remove the copper ground link connecting the neutral connection on the terminal block to the chassis ground.
- Attach the power cord leads to the terminal block and chassis as shown:
- Replace the access cover when complete.



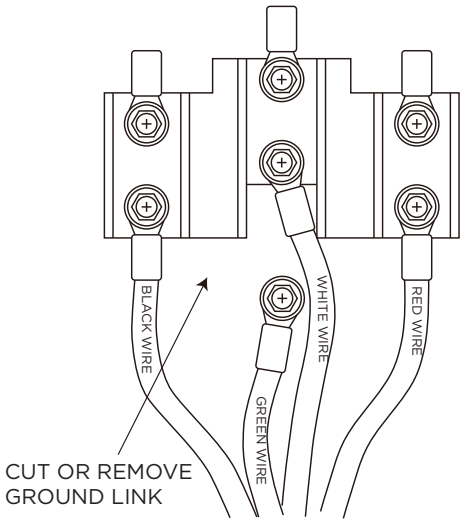
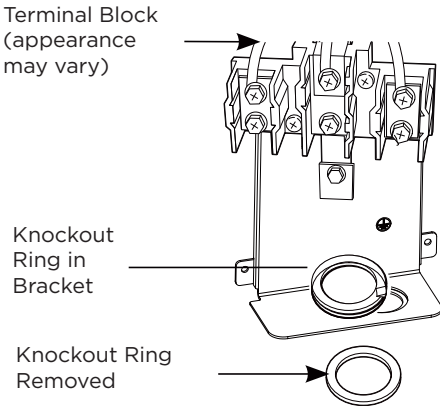
## 3-Prong Power Cord Directions

- Thread the power cord and leads through the opening below the terminal block.
- Secure the cord by attaching the strain relief over the cord insulation jacket. (Strain relief must be placed on the "body" of the cord and not on the "leads.") Place the strain relief such that the leads have enough slack to connect to the terminal block without any stress or tension.
- Remove the 3 screws from the supply side of the terminal block. Remove the copper ground link connecting the neutral connection on the terminal block to the chassis ground.
- Attach the power cord leads to the terminal block and chassis as shown:
- Replace the access cover when complete.



**Conduit Directions**

- Knock out ring in the bracket to change the hole dimension.
- Insert the conduit strain relief into the opening below the terminal block.
- Tighten nut to hold conduit strain relief in place.
- Thread the conduit leads through the opening and strain relief.
- Tighten screws on strain relief to secure conduit in place. Place the conduit within the strain relief such that the leads have enough slack to connect to the terminal block without any stress or tension.
- Remove the 3 screws from the supply side of the terminal block. Attach the conduit leads to the terminal block and chassis as shown: Replace the access cover when complete.



## Placement and Leveling

### **⚠ CAUTION**

#### **LACERATION, FOREIGN OBJECT, CRUSH HAZARD**

- When installing, moving, or servicing any appliance, wear proper protective equipment, including cut resistant gloves, steel-toed shoes, and safety glasses.

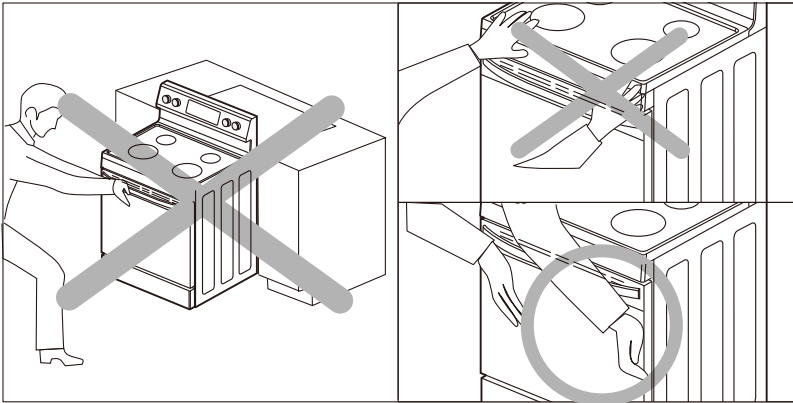
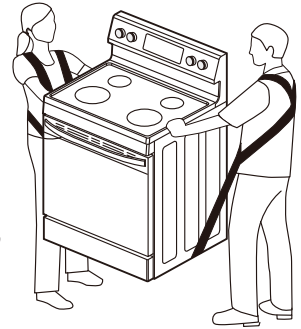
### **⚠ IMPORTANT**

#### **TO PREVENT DAMAGE**

- Do not move unit by pushing or pulling on the door or control panel.
- Do not lift by the cooktop edges. Push, pull, or lift only on the body or structural areas, such as oven, oven face, or back corners of range. Move range by lifting, not sliding, to prevent damage to floors.
- Use cardboard, plywood, or stiff plastic to protect floors if sliding is necessary.

Getting the unit properly placed in the installation space and level may require multiple attempts. It is recommended to measure and adjust leveling legs carefully before placing into the installation space, as the leveling legs may be difficult to adjust once the range is in its final position.

All ranges are heavy - sliding the range can damage the floor. Use care when moving the range. Use a belt when moving the range to prevent damaging the floor, or use cardboard, plywood, or stiff plastic to avoid damaging the floor while sliding the range.



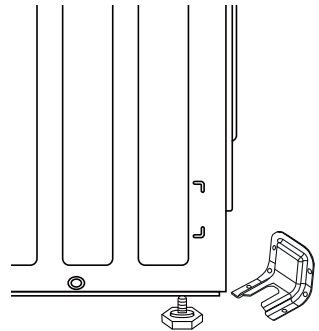
### **⚠ CAUTION**

Please **DO NOT** push the unit strongly when you install. These actions can cause damage to the unit.

Please **DO NOT** grasp the cooktop and push when you install. (Grasp the L/R door area to push the unit)

## Directions:

- Use tape measure to measure from the floor to the top of the counter top at all four corners of the installation space.
- While range is still positioned outside the installation space, adjust the leveling leg at each corner so that the distance from the floor to the underside of the cooktop edge matches the dimensions measured in the installation space.
- Using two people, move range into its final installation location, being careful not to damage countertops, floor, or appliance.
  - **IMPORTANT:** Do not move unit by pushing or pulling on the door or control panel.  
Push, pull, or lift only on the body or structural areas, such as oven, oven face, or back corners of range.
  - Be careful not to pinch or kink the gas or electrical connections.  
If unit does not move in smoothly, check for obstructions. Do not attempt to force the unit into position.
- Check that the gas supply line is not damaged.
- Check to make sure the back leg of the range has engaged properly into the anti-tip bracket.  
If visual inspection is not possible:
  - Slide range forward
  - Confirm anti-tip bracket is securely attached to floor or wall in correct position according to installation instructions.
  - Fully slide the range back against the wall so that leveling leg engages with anti-tip bracket.
- To ensure baked goods, such as breads and cakes, come out even and level, confirm that the range is level by placing on the center rack position. Check level both front-to-back and side-to-side. Use adjustable pliers to adjust leveling legs as necessary to level the range.
- Reinstall door, drawer, and oven racks.



## Cooktop Operation

Check the operation of all cooktop heating elements after the range has been completely installed, assembled, and electrical connections have been completed.

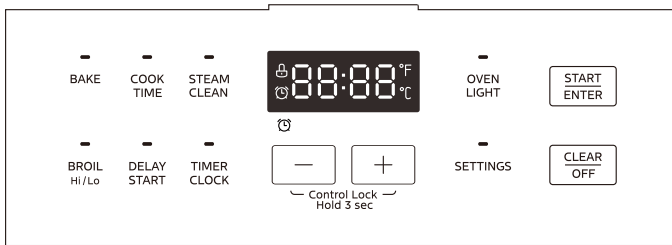
Directions:

For each burner, one at a time, rotate the knob to the "HI" position, confirm that the element begins to glow and heat up.

Confirm that the hot surface indicator light illuminates correctly.

## Oven Operation

Check the operation of oven bake and broil elements after the range has been completely installed, assembled, and electrical connections have been completed.



Directions:

- Ensure door is closed, all packaging is removed, and oven is empty except for oven rack(s).
- Press the BAKE button on the oven control - the control will default to 350°F.
- Adjust temperature setting to 170°F.
- Press the START/ENTER button on the oven control.



- Listen for relays on the electronic control to "click."
- Without touching the oven bottom, after a couple minutes, confirm that heat can be felt radiating from the oven bottom.
- Allow BAKE mode until unit has preheated to 170°F. Confirm that display shows "PRE" and that preheat signals when temperature is reached.
- Press the CLEAR/OFF button to stop the bake mode.
- Press the BROIL button on the oven control.
- Press the START/ENTER button on the oven control.
- Without touching the broil element, after a couple minutes, confirm that heat can be felt radiating from the broil element. After several minutes, the broil element can be visually seen to start glowing red.
- Press the CLEAR/OFF button to stop the broil mode.
- If anything does not operate correctly, have the operation investigated by qualified service provider

### **Final Installation Checklist:**

The installation process is complete. As a final check to confirm all steps have been completed successfully, the installer must read through the following checklist and initial each item indicating the work was performed according to these instructions:

- Installation space has been confirmed to meet the Clearances and Dimensions requirements, including that airflow is unobstructed at the front of the unit.
- Anti-tip bracket has been properly installed, and the range leveling leg has been confirmed to engage correctly with anti-tip bracket.
- Electrical supply has been properly connected to the range, in accordance with all applicable codes and regulations.
- Conversion for LP gas and high-altitude installations has been completed, if necessary.
- Oven operation and oven controls have been verified to work correctly.
- The oven door and drawer have been installed properly and operate correctly. Oven door closes completely.
- All instructions, including this manual, conversion instructions, and anti-tip bracket instructions, have been left with the owner/resident, with directions to retain for future reference.

# TROUBLESHOOTING

Read before calling for service

Midea is committed to providing you with a quality appliance that works as expected. If you find something that is not working as anticipated, check the table below for helpful hints and advice that might save you the time and expense of calling for repair.

## Cooktop

Problem	Possible Reason
Unable to maintain a rolling boil or will not cook fast enough.	<ul style="list-style-type: none"><li>• Improper cookware - Only use pans with flat bottoms and that match the diameter of the cooktop heating element selected.</li><li>• Large pots and pans can lose a lot of heat from the top -cover pan with a lid to retain heat better.</li></ul>
Cooktop will not operate.	<ul style="list-style-type: none"><li>• If control panel display is not lit, appliance may not be receiving power - check circuit breaker or fuse has not tripped and that cord is properly plugged in.</li></ul>
Cooktop heating element does not glow steadily.	<ul style="list-style-type: none"><li>• This is normal - cooktop heating element will cycle off/on to maintain the power level selected at the knob. This is normal even on the highest setting.</li></ul>
Cooktop heating element does not glow when power level is reduced.	<ul style="list-style-type: none"><li>• This is normal - cooktop heating element will begin cycling again once the heating element has cooled slightly.</li></ul>
Cooktop glass is scratched.	<ul style="list-style-type: none"><li>• Incorrect cleaning method used - scratches cannot be removed, but further scratching can be avoided by following the cleaning instructions in this manual.</li><li>• Cookware with rough bottom has been used or cookware has been slid across cooktop - scratches cannot be removed, but further scratching can be avoided by ensuring cookware is flat-bottomed, smooth, clean, and not slid across cooktop.</li></ul>

## Cooktop

Problem	Possible Reason
Cooktop is discolored.	<ul style="list-style-type: none"><li>• Cooktop is not cleaned thoroughly - see section in this manual on care and cleaning of cooktop.</li></ul>
Cooktop is pitted.	<ul style="list-style-type: none"><li>• Sugary spill has occurred on hot glass - this cannot be repaired. Service must be called to replace the cooktop glass.</li></ul>

## Oven

Problem	Possible Reason
Strong "burning" or "oily" odor when using new oven.	<ul style="list-style-type: none"><li>• This is normal with a new range and will disappear after a few uses. Still, to be careful, you should double-check that all packaging has been removed from the appliance - check around door sides and inside drawer.</li></ul>
Control is dark and will not respond	<ul style="list-style-type: none"><li>• If control panel display shows only "]" or "]" [, the control is in Sabbath Mode. Refer to that section for how to operate control and how to exit Sabbath Mode.</li></ul>
Control is lit but will not respond	<ul style="list-style-type: none"><li>• Check that "CONTROL LOCK" has not been activated.</li></ul>
Food is not baking evenly - top gets done faster/slower than bottom.	<ul style="list-style-type: none"><li>• Make sure you are using the recommended rack settings. See "Rack Positions" at the start of the "Oven Operation" section.</li><li>• Recipe may perform better at different rack position. Moving food down one rack position will cause the bottom to become darker and top to become lighter. Moving food up one rack position will cause bottom to become lighter and top to become darker.</li></ul>
Oven light is not working	<ul style="list-style-type: none"><li>• Oven light may be burned out. Follow instructions in "Cleaning and Maintenance" of user" manual.</li></ul>

## Oven

Problem	Possible Reason
Smoke or steam is coming from the openings at the back of the cooktop.	<ul style="list-style-type: none"><li>• It is normal for steam to be released from the oven vent at the back of the cooktop. If the exhaust has no smell (or smells like normal baking food), do not be alarmed.</li><li>• If the exhaust smells like burning food, check that the food is not burning and that there is no spillage or splattering in the oven that may be producing the smoke.</li><li>• If the exhaust smells like any thing else is burning (plastic, wood, etc.), turn oven off and make sure smoking stops. Contact a qualified service provider for repairs.</li></ul>
"E" and a number appears in display	<ul style="list-style-type: none"><li>• This is a error code. Press "CLEAR/OFF" to clear the display and stop beeping. If necessary, reset power to the oven by cycling circuit breaker off and on. If error code remains or repeats, write down error code and contact a qualified service provider for repairs.</li></ul>

# 2 YEAR LIMITED WARRANTY

This warranty is provided to the original purchaser at retail (the “Purchaser” or “you”) by Midea America Corp. (“Midea” or “we”), which warrants all parts of this Product, as described below. Midea warrants this Product to the Purchaser for personal, family or household use. This warranty covers performance and quality issues in materials and workmanship that appear under normal use and maintenance appearing within two years from the date of purchase. This warranty gives you specific rights, and you may also have other rights that vary from state to state.

## WARRANTY LIMITATIONS

This warranty is given only to the original purchaser at retail in either the United States or Canada and may not be transferred to any subsequent buyer. This warranty does not apply to purchasers of our products for use or resale in a business; a separate commercial warranty may protect those purchasers.

This warranty does not cover any Product failure caused by:

- a. Abuse, damage or use of the Product in violation of the Product instructions.
- b. Modification to any Product or part.
- c. Failure to maintain the Product or part as described in accordance with the Product instructions.
- d. Faulty installation or application.
- e. Use of parts or accessories not compatible with this Product.
- f. Floods, fires, winds, lightning, accidents, corrosive atmosphere, or other conditions beyond Midea’s control.
- g. Interruption in electrical service or inadequate electrical service.
- h. Replacement of fuses and replacement or resetting of circuit breakers.
- i. Frozen or broken water pipes, water damage, moisture intrusion, mold or other biological growth.
- j. The use, combination or linking of the Product to other products, processes or materials not provided by Midea.

## WARRANTY REMEDY

If any quality or performance issue covered by this warranty is discovered during the warranty period, we will, at our option, repair or replace any such Product. This warranty is limited to Product repair or replacement by an authorized Midea servicer or dealer and does not cover any shipping cost, labor cost, customs duties, inland logistics cost, or cost of service, including any diagnostics, removal, transportation, or reinstallation costs. If we ask, you must return the Product to us.

## WARRANTY DISCLAIMER; EXCLUSION OF DAMAGES

This is the only express warranty to consumers that we offer on our Products. **ANY IMPLIED WARRANTIES BY MIDEA, INCLUDING BUT NOT LIMITED TO WARRANTIES OF MERCHANTABILITY AND FITNESS FOR PARTICULAR PURPOSE, ARE LIMITED TO THE DURATION OF THIS EXPRESS WARRANTY.** Some states and provinces do not allow the exclusion of express warranties and/or limitations on how long an implied warranty lasts, so the above exclusion and/or limitation may not apply to you.

**THE REMEDY DESCRIBED ABOVE IS THE ONLY ONE THAT WE WILL PROVIDE, EITHER UNDER THIS WARRANTY OR UNDER ANY WARRANTY ARISING BY OPERATION OF LAW. WE WILL NOT BE RESPONSIBLE FOR ANY CONSEQUENTIAL OR INCIDENTAL DAMAGES ARISING FROM THE BREACH OF THIS WARRANTY OR ANY OTHER WARRANTY, WHETHER EXPRESS OR IMPLIED, NEGLIGENCE OR OTHER TORT, OR ON**

## **ANY STRICT LIABILITY THEORY, INCLUDING BUT NOT LIMITED TO LOST PROFITS.**

Some states do not allow the exclusion or limitation of incidental or consequential damages, so the above exclusion may not apply to you.

## **WARRANTY CLAIMS PROCESS**

For more information or to make a warranty claim, please visit:

<https://www.midea.com/us/support>

Or contact us at:

Telephone: 1-866-646-4332

Email: [customerserviceusa@midea.com](mailto:customerserviceusa@midea.com)

You must have Your bill of sale, delivery slip, or appropriate proof of purchase to submit a warranty claim. The date of purchase establishes the warranty period, should service be required.

## **DISPUTE RESOLUTION**

### **ARBITRATION CLAUSE. IMPORTANT. PLEASE REVIEW THIS ARBITRATION CLAUSE. IT AFFECTS YOUR LEGAL RIGHTS.**

- a. Parties: This arbitration clause (this "Arbitration Clause") affects your rights against Midea and any of its affiliates or employees or agents, successors, or assigns, all of whom together are referred to below as "we" or "us" for ease of reference.
- b. **ARBITRATION REQUIREMENT: EXCEPT AS STATED BELOW, ANY DISPUTE BETWEEN YOU AND ANY OF US SHALL BE DECIDED BY NEUTRAL, BINDING ARBITRATION RATHER THAN IN COURT OR BY JURY TRIAL.** "Dispute" will be given the broadest possible meaning allowable by law. It includes any dispute, claim, or controversy arising from or relating to your purchase of this Product, any warranty upon the Product, or the Product's condition. It also includes determination of the scope or applicability of this Arbitration Clause. The arbitration requirement applies to claims in contract and tort, pursuant to statute, or otherwise.
- c. **CLASS-ARBITRATION WAIVER: ARBITRATION IS HANDLED ON AN INDIVIDUAL BASIS. IF A DISPUTE IS ARBITRATED, YOU AND WE EXPRESSLY WAIVE ANY RIGHT TO PARTICIPATE AS A CLASS REPRESENTATIVE OR CLASS MEMBER ON ANY CLASS CLAIM YOU MAY HAVE AGAINST US OR WE AGAINST YOU, OR AS A PRIVATE ATTORNEY GENERAL OR IN ANY OTHER REPRESENTATIVE CAPACITY, TO THE MAXIMUM EXTENT PERMITTED BY LAW. YOU AND WE ALSO WAIVE ANY RIGHT TO CLASS ARBITRATION OR ANY CONSOLIDATION OF INDIVIDUAL ARBITRATIONS.**
- d. Discovery and Other Rights: Discovery and rights to appeal in arbitration are generally more limited than in a lawsuit. This applies to both you and us. Other rights that you or we would have in court may not be available in arbitration. Please read this Arbitration Clause and consult the rules of the arbitration organizations listed below for more information.
- e. **SMALL CLAIMS COURT OPTION: YOU MAY CHOOSE TO LITIGATE ANY DISPUTE BETWEEN YOU AND ANY OF US IN SMALL CLAIMS COURT, RATHER THAN IN ARBITRATION, IF THE DISPUTE MEETS ALL REQUIREMENTS TO BE HEARD IN SMALL CLAIMS COURT.**
- f. Governing Law: For residents of the United States, the procedures and effect of the arbitration will be governed by the Federal Arbitration Act (9 U.S.C. § 1 et seq.) rather than by state law concerning arbitration. For residents of Canada, the procedures and effect of the arbitration will be governed by the applicable arbitration law of the province in which you purchased your Product. The law governing your substantive warranty rights and other claims will be the law of the state or province in which you purchased your Product. Any court having jurisdiction may enter judgment on the arbitration award.
- g. Rules of the Arbitration: If the amount in controversy is less than \$250,000, the


arbitration will be decided by a single arbitrator. If the amount in controversy is greater than or equal to \$250,000, the arbitration will be decided by a panel of three arbitrators. The arbitrator(s) will be chosen pursuant to the rules of the administering arbitration organization. United States residents may choose JAMS (1920 Main Street, Ste. 300, Irvine, CA 92614, [www.jamsadr.com](http://www.jamsadr.com)), or, subject to our approval, any other arbitration organization. In addition, Canadian residents may choose the ADR Institute of Canada (234 Eglinton Ave. East, Suite 405, Toronto, Ontario, M4P 1K5, [www.amic.org](http://www.amic.org)). These organizations' rules can be obtained by contacting the organization or visiting its website. If the chosen arbitration organization's rules conflict with this Arbitration Clause, the provisions of this Arbitration Clause control. The award of the arbitrator(s) shall be final and binding on all parties.

- h. Location of the Arbitration Hearing: Unless applicable law provides otherwise, the arbitration hearing for United States residents will be conducted in the federal judicial district in which you reside (in your hometown area) or, for Canadian residents, in the province in which you reside, and, if you choose, will be in-person.
- i. Costs of the Arbitration: Each party is responsible for its own attorney, expert, and other costs and fees unless applicable law requires otherwise. Notwithstanding the preceding sentence, and unless applicable law requires otherwise, if you are a consumer under the JAMS rules or the rules of another agreed upon arbitration administrator, Midea will pay or reimburse you for all reasonable fees or costs to the extent required by law or the applicable arbitration administrator's rules. Whether or not required by law or such rules, if you prevail at arbitration on any claim against Midea, Midea will reimburse you for any reasonable fees paid to the arbitration administrator in connection with the arbitration proceedings. Under no circumstances will Midea seek from you payment or reimbursement of any reasonable fees that Midea incurs in connection with the arbitration. If you are required to advance any fees or costs to JAMS or other agreed upon arbitration administrator, but you ask Midea to do so in your stead, Midea will consider and respond to your request.
- j. Survival and Enforceability of this Arbitration Clause: This Arbitration Clause shall survive the expiration or termination, or any transfer, of the warranty on your Product. If any part of this Arbitration Clause, except waivers of class-action rights, is found to be unenforceable for any reason, the remainder of this clause and the warranty shall remain enforceable. If, in a case in which class-action allegations have been made, the waiver of class-action rights under this warranty is found to be unenforceable with respect to any part of the dispute, the parts of the dispute as to which the waiver of class-action rights have been found unenforceable will be severed and will proceed in court without reference or application of this Arbitration Clause. Any remaining parts will proceed in arbitration.

## **QUEBEC RESIDENTS**

The arbitration provisions of this warranty shall not apply to residents of Quebec.

# TRADEMARKS, COPYRIGHTS AND LEGAL STATEMENT

 Midea logo, word marks, trade name, trade dress and all versions thereof are valuable assets of Midea Group and/or its affiliates (“Midea”), to which Midea owns trademarks, copyrights and other intellectual property rights, and all goodwill derived from using any part of an Midea trademark. Use of Midea trademark for commercial purposes without the prior written consent of Midea may constitute trademark infringement or unfair competition in violation of relevant laws.

This manual is created by Midea and Midea reserves all copyrights thereof. No entity or individual may use, duplicate, modify, distribute in whole or in part this manual, or bundle or sell with other products without the prior written consent of Midea.

All the described functions and instructions were up to date at the time of printing this manual. However, the actual product may vary due to improved functions and designs.



# DATA PROTECTION NOTICE

For the provision of the services agreed with the customer, we agree to comply without restriction with all stipulations of applicable data protection law, in line with agreed countries within which services to the customer will be delivered.

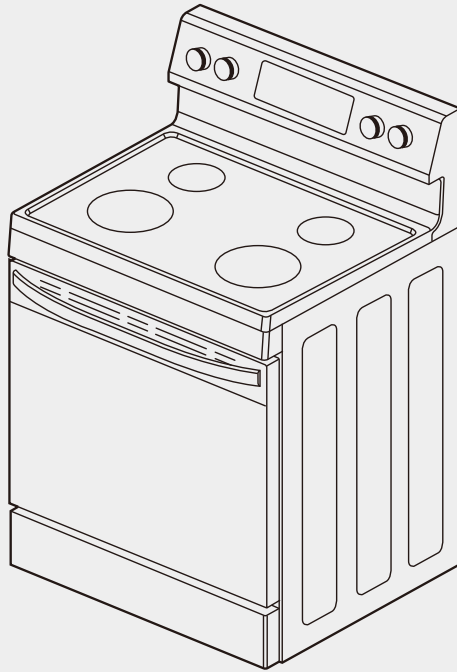
Generally, our data processing is to fulfil our obligation under contract with you and for product safety reasons, to safeguard your rights in connection with warranty and product registration questions. In some cases, but only if appropriate data protection is ensured, personal data might be transferred to recipients located outside of the European Economic Area.

Further information are provided on request. You can contact our Data Protection Officer via **MideaDPO@midea.com**. To exercise your rights such as right to object your personal data being processed for direct marketing purposes, please contact us via **MideaDPO@midea.com**. To find further information, please follow the QR Code.



*make yourself at home*





COCINA ELÉCTRICA

# INSTRUCCIONES DE INSTALACIÓN

MER30S2AST/MER30S2AWW/MER30S2ABB

**Importante** Guardar para uso del inspector eléctrico local.

Advertencias: Antes de utilizar este producto, lea este manual cuidadosamente y guárdelo para futuras consultas. El diseño y las especificaciones con el fin de mejorar el producto están sujetos a cambios sin previo aviso. Consulte con su distribuidor o fabricante para obtener mayor información. El diagrama anterior es solo para referencia. Considere la apariencia del producto real como estándar.

## **NOTA DE AGRADECIMIENTO**

iGracias por elegir Midea! Antes de utilizar su nuevo producto Midea, lea este manual detenidamente para asegurarse de que sabe cómo manejar las características y funciones que le ofrece su nuevo electrodoméstico de forma segura.

# CONTENIDO

<b>NOTA DE AGRADECIMIENTO</b>	-----ES-01
<b>INSTRUCCIONES DE SEGURIDAD IMPORTANTES</b>	-----ES-02
<b>INSTALACIÓN DEL PRODUCTO</b>	-----ES-09
<b>SOLUCIÓN DE PROBLEMAS</b>	-----ES-26
<b>GARANTÍA LIMITADA DE 2 AÑOS</b>	-----ES-29
<b>MARCAS COMERCIALES, DERECHOS DE AUTOR Y DECLARACIÓN LEGAL</b>	-----ES-32
<b>AVISO DE PROTECCIÓN DE DATOS</b>	-----ES-33

# INSTRUCCIONES DE SEGURIDAD IMPORTANTES

## Uso previsto

Las siguientes recomendaciones de seguridad están destinadas a evitar riesgos imprevistos o daños causados por una operación insegura o incorrecta del aparato. Revise el empaque y el aparato que acaba de comprar y asegúrese de que todo esté intacto para garantizar un funcionamiento seguro. Si encuentra algún daño, póngase en contacto con el vendedor o distribuidor. Tenga en cuenta que por motivos de seguridad no se permite realizar modificaciones o alteraciones en el electrodoméstico. El uso inapropiado puede causar peligros y la pérdida de garantía.

## Explicación de los símbolos



### **Peligro**

Este símbolo indica que existen peligros de vida y para la salud de las personas debido a gases extremadamente inflamables.



### **Advertencia de tensión eléctrica**

Indica que existe peligro de vida y para la salud de las personas debido al voltaje.



### **Advertencia**

Indica un peligro inminente con un nivel medio de riesgo que, si no se evita, puede ocasionar la muerte o lesiones graves.



### **Precaución**

Indica un peligro con un bajo grado de riesgo que, si no se evita, puede ocasionar lesiones leves o moderadas.



### **Atención**

Indica información importante, como daños materiales, pero no peligro.



### **Respete las instrucciones**

Indica que solo un técnico especializado debe operar manipular el aparato de acuerdo con las instrucciones de funcionamiento.

¡Lea atentamente estas instrucciones de funcionamiento antes de usar o poner en marcha su aparato y guárdelas cerca del aparato o de donde lo instale para posteriores consultas!

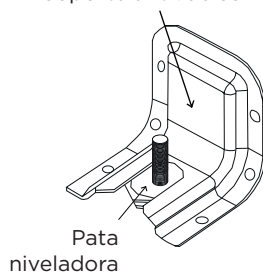
## **⚠ ADVERTENCIA** **PELIGRO DE VUELCO**

Un niño o un adulto puede caerse sobre la cocina y morir. Verifique que el dispositivo antivuelco se haya instalado y activado correctamente según las instrucciones de instalación. Asegúrese de que el dispositivo antivuelco vuelva a activarse cuando se mueva la cocina. No utilice la cocina sin el dispositivo antivuelco en su lugar y acoplado. No hacerlo puede causar la muerte o quemaduras en niños o adultos. No retire las patas niveladoras. Si lo hace, evitará que la cocina quede asegurada por el dispositivo antivuelco.

Para confirmar que el soporte antivuelco está instalado correctamente, mire debajo de la cocina para confirmar que la pata de nivelación trasera está enganchada en el soporte. Si no es posible la inspección visual realice lo siguiente:

- Deslice la cocina hacia adelante
- Confirme que el soporte antivuelco esté bien sujeto al suelo o a la pared en la posición correcta según las instrucciones de instalación.
- Deslice completamente la cocina hacia atrás contra la pared para que la pierna de nivelación se enganche con el soporte antivuelco.

Si se retira la cocina para mantenimiento, asegure la puerta cerrada o retírela para minimizar el riesgo de vuelco. (Consulte la sección "Puerta" en "Limpieza y mantenimiento" en este manual para obtener instrucciones sobre cómo quitar la puerta).



## **⚠ ADVERTENCIA**

### **INSTALACIÓN Y MANTENIMIENTO**

- Este electrodoméstico está diseñado solo para uso doméstico. No está aprobado para uso comercial, instalación al aire libre o cualquier otra aplicación no permitida específicamente por este manual.
- Asegúrese de que el electrodoméstico está correctamente instalado y conectado a tierra por un proveedor de servicios cualificado.
- El instalador deberá dejar todas las instrucciones, incluido este manual, las instrucciones de conversión y las instrucciones del soporte antivuelco, al propietario/residente, con instrucciones que deberá conservar para futuras consultas.
- No conecte el electrodoméstico si se ha dañado o si no funciona adecuadamente. Póngase en contacto con un proveedor de servicios cualificado para las reparaciones.
- No repare ni reemplace ninguna pieza del electrodoméstico a menos que se recomiende específicamente en el manual. Todos los demás servicios deben remitirse a un proveedor de servicios calificado.
- No utilice limpiadores de hornos. No se debe usar ningún limpiador de horno comercial o revestimiento protector de horno de ningún tipo con ninguna parte de este electrodoméstico.
- Este electrodoméstico requiere conexión a una fuente eléctrica de 3 clavijas o 4 clavijas, 240 VAC, fase dividida, 60 Hz puesta a tierra. Cuando esté instalado, el electrodoméstico debe estar conectado a tierra eléctricamente de acuerdo con los códigos locales o, en ausencia de códigos locales, con el

Código Eléctrico Nacional, NFPA 70 o el Código Eléctrico Canadiense, CSA C22.1-02.

## **⚠ ADVERTENCIA**

### **USO GENERAL**

- No almacene ningún material inflamable o elemento sensible a la temperatura dentro del horno, en el cajón de almacenamiento o en la parte superior o cerca de la resistencia de la placa de cocción superior del electrodoméstico.
- No permita que nadie se suba, se pare, se incline, se siente o se cuelgue de cualquier parte de un electrodoméstico, especialmente de una puerta o cajón.
- Este electrodoméstico no ha sido evaluado para su uso con ningún sistema posventa de terceros.

## **⚠ ADVERTENCIA**

### **PELIGRO DE LA PLACA DE COCCIÓN**

- No cocine sobre una placa de cocción de vidrio rota. Si la placa se rompe, las soluciones de limpieza y los derrames pueden penetrar en la placa rota y crear un riesgo de descarga eléctrica. Póngase en contacto con un proveedor de servicios calificado de inmediato para realizar reparaciones.
- En el caso de que la ropa personal o el cabello se incendien, tírese al suelo y ruede inmediatamente para extinguir las llamas.

## **⚠ ADVERTENCIA**

### **PELIGROS DEL HORNO**

- Nunca coloque nada (papel de aluminio, alfombra antiderrame, piedra para hornear, utensilios de cocina, etc.) en la parte inferior de la cavidad del



horno. Estos artículos pueden atrapar el calor o derretirse, lo que puede dañar al electrodoméstico y provocar descargas eléctricas, humo o incendios.

- No obstruya las rejillas de ventilación del horno ni ninguna otra ranura o abertura de la unidad.

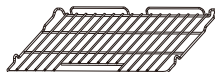
## ANTES DE COMENZAR LA INSTALACIÓN

### Piezas incluidas con el producto

Con el producto se incluyen los siguientes componentes y accesorios del horno. Cuando el producto se desembale por primera vez, verifique que todos estos componentes estén presentes. Si falta algo, revise cuidadosamente los materiales de embalaje en busca de artículos faltantes. Si no se pueden localizar los artículos, comuníquese con el servicio de atención al cliente de Midea al 1-866-646-4332 o visite [midea.com/us/support](http://midea.com/us/support) para obtener ayuda.



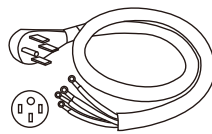
Kit de soporte antivuelco



Estante de metal



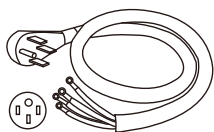
Manual del usuario



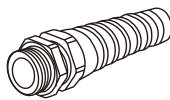
Cable de alimentación de 240 VCA de 4 clavijas, clasificado como 50 A (productos vendidos solo en Canadá)

### Materiales necesarios:

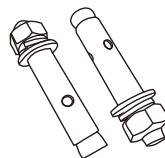
La conexión de servicios públicos y la estructura de la casa en cada hogar pueden ser diferentes, por lo que las partes específicas requeridas para la conexión a la casa no se incluyen con el producto. Las piezas identificadas a continuación son o pueden ser necesarias para completar la instalación. Utilice siempre componentes nuevos; nunca utilice una pieza antigua para la instalación de una nueva cocina.



14-50P GETWIREDUSA FX359 (no aplicable a productos vendidos en Canadá, estos están provistos de un cable de alimentación)



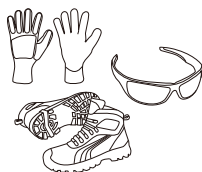
Alivio de tensión para el cable de alimentación (suministrado con el kit de cable)



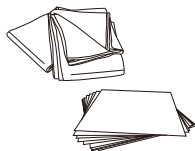
Anclaje de manga de diámetro exterior de 5/16" (con perno de 1/4") 2 piezas (solo para pisos de concreto)

## Herramientas necesarias:

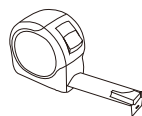
Para completar la instalación, tenga las siguientes herramientas disponibles:



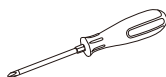
Guantes resistentes a cortes, gafas o anteojos de seguridad y zapatos con punta de acero (para su seguridad y protección).



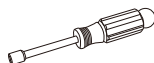
Tela o cartón (opcional, para proteger el suelo)



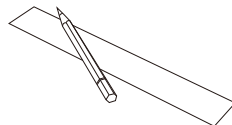
Cinta métrica (para confirmar el espacio de instalación)



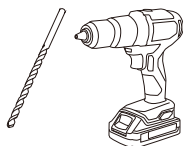
Destornillador Phillips (para acceder a las cubiertas que se pueden reparar)



Atornillador de tuercas (para conexión eléctrica)



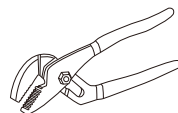
Lápiz y regla (para la instalación del soporte antivuelco)



Taladro y broca de 1/8" (para instalación de soporte antivuelco)



Broca para mampostería (para instalación de soportes antivuelco, solo en pisos de hormigón)



Pinza de ranura ajustable o de cuello de cisne (para nivelar el producto)



Nivel (para nivelación del producto)

# INSTALACIÓN DEL PRODUCTO

## Retire el electrodoméstico antiguo

### ADVERTENCIA

#### PELIGRO DE INCENDIO, EXPLOSIÓN

- La instalación y el mantenimiento deben ser realizados por un instalador o servicio técnico cualificado.

### PRECAUCIÓN

#### LACERACIÓN, OBJETO EXTRAÑO, PELIGRO DE APLASTAMIENTO

- Al instalar, mover o reparar cualquier electrodoméstico, use el equipo de protección adecuado, incluidos guantes resistentes a cortes, zapatos con punta de acero y gafas de seguridad.

Si la nueva cocina reemplaza una instalación existente, primero retire el electrodoméstico antiguo.

#### Instrucciones:

- Apague el suministro eléctrico a la cocina desde la caja de interruptores o en la caja de fusibles. Déjelo apagado hasta que se haya completado la instalación.
- Mueva el electrodoméstico para acceder a las conexiones eléctricas.
- Desconecte las conexiones eléctricas y saque el electrodoméstico del espacio de instalación.

## Requisitos del suministro de agua

### ADVERTENCIA

#### Peligro de descarga eléctrica

- La instalación debe estar conectada a tierra eléctricamente de acuerdo con los códigos locales o, en ausencia de códigos locales, según el Código Eléctrico Nacional, NFPA 70 o el Código Eléctrico Canadiense, CSA C22.1-02.

#### Distancias y dimensiones:

### IMPORTANTE

#### PARA EVITAR DAÑOS EN LOS GABINETES

- Esta cocina ha sido diseñada para cumplir con la temperatura máxima permitida del gabinete de madera de 194 °F (90 °C). Asegúrese de que los revestimientos de pared, encimeras, gabinetes y cualquier otro material en contacto con la cocina estén clasificados para un mínimo de 194 °F (90 °C). Si no es así, puede haber decoloración, delaminación o fusión.

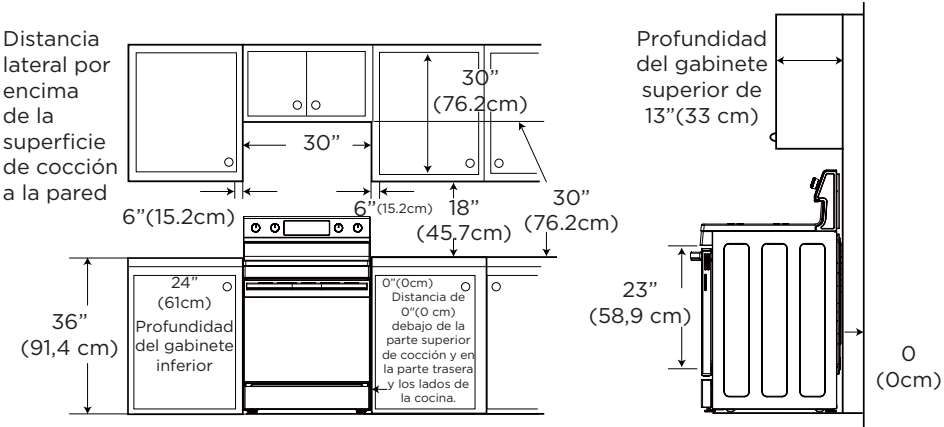
Antes de iniciar el proceso de instalación, confirme que el espacio de instalación cumpla con las siguientes dimensiones y distancias. No ubique la cocina donde pueda estar sujeto a corrientes de aire fuertes; selle cualquier abertura en la pared, el piso o los gabinetes en el espacio de instalación. Proporcione distancias adecuadas entre la cocina y las superficies combustibles adyacentes. Estas dimensiones deben cumplirse para un uso seguro de la cocina. Las dimensiones dadas proporcionan una distancia mínima. La superficie de contacto debe ser sólida y nivelada.

La distancia mínima es de 0" para la parte trasera de la cocina. Siga todos los requisitos de dimensión para evitar daños a la propiedad, riesgo potencial de incendio y cortes incorrectos en la encimera y el gabinete.

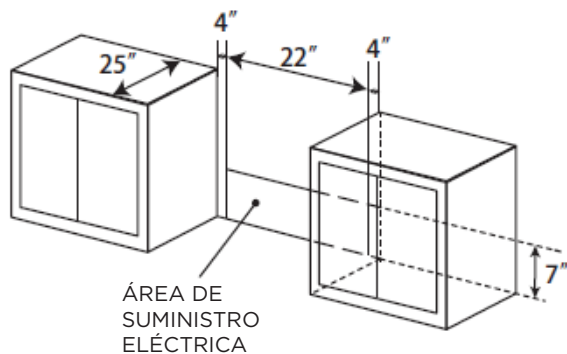
Las superficies de la encimera inmediatamente alrededor del espacio de instalación deben ser planas y niveladas para una instalación adecuada.

Cuando el revestimiento del piso (pisos de madera dura, baldosas, alfombras, etc.) termina en la parte delantera de la cocina, el área en la que se instalará la cocina debe construirse con madera contrachapada al mismo nivel o más alto que el revestimiento del piso. Esto permitirá que la cocina se mueva para su limpieza y mantenimiento, así como para proporcionar un flujo de aire adecuado a la cocina.

Asegúrese de que el material de revestimiento del piso pueda resistir temperaturas de al menos 167 °F (75 °C). Asegúrese de que los revestimientos de pared, las encimeras, los gabinetes y cualquier otro material en contacto con la cocina puedan resistir el calor generado hasta 194 °F (90 °C) por la cocina.

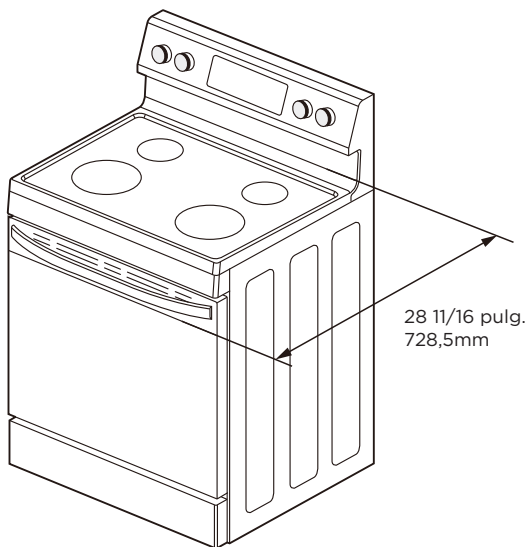
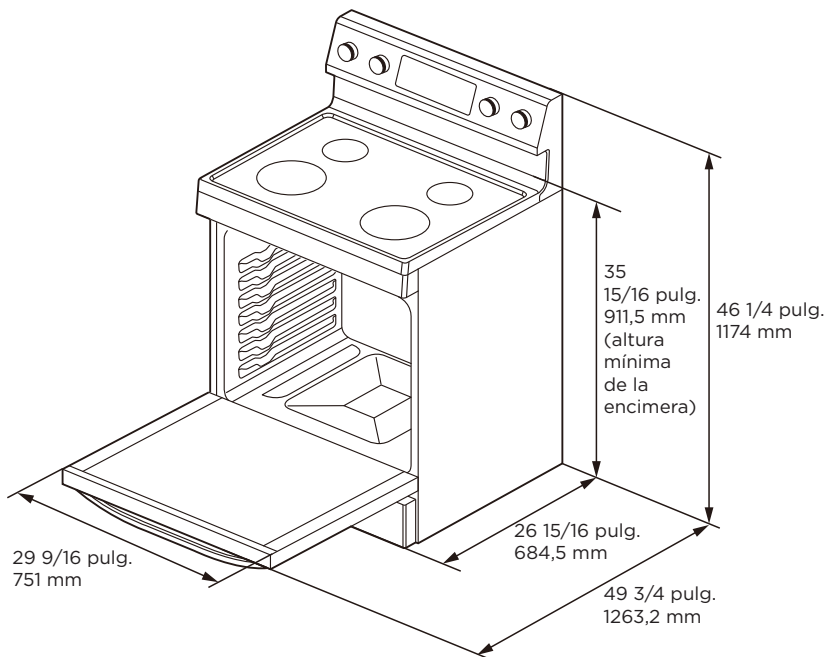


## RECORTE INDEPENDIENTE

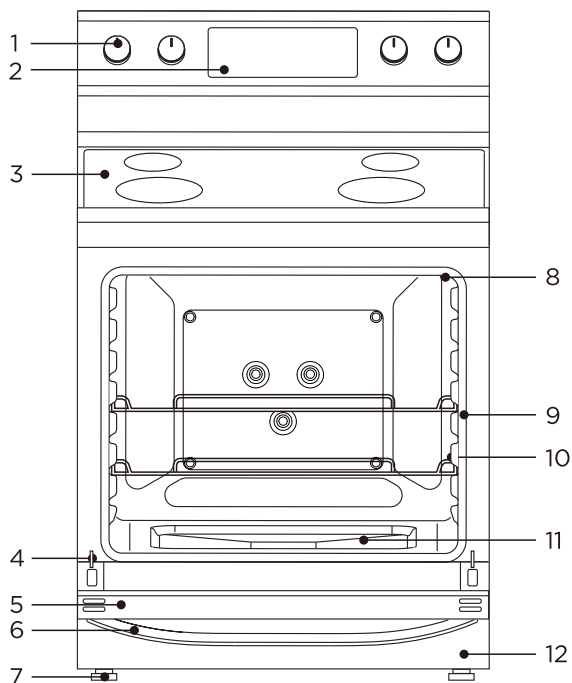


### Especificaciones del producto

Descripción	Horno eléctrico independiente	
Voltaje:	120/208VAC 40Amp	120/240VAC 50Amp
Suministro eléctrico	7240 W	9640 W
Dimensiones exteriores	46 <sup>1</sup> / <sub>4</sub> H x 29 <sup>7</sup> / <sub>8</sub> W x 26 <sup>15</sup> / <sub>16</sub> D	
Altura a la superficie de cocción	en 36" (91,4 cm)	
Peso neto	78kg (172 lbs)	
Capacidad del horno	6,3 pies cúbicos	
Clasificaciones de potencia	Consulte la etiqueta de la placa de características	



## Descripción general de la cocina

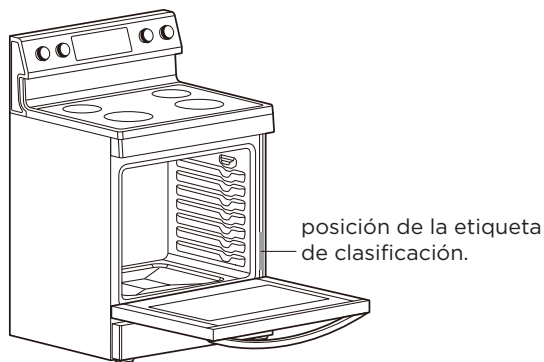


- |                                       |                              |                              |
|---------------------------------------|------------------------------|------------------------------|
| 1. Perilla de la placa de cocción     | 6. Manijas de la puerta      | 11. Parte inferior del horno |
| 2. Panel de control                   | 7. Patas ajustables          | 12. Cajón de almacenamiento  |
| 3. Superficie de vidrio cerámico      | 8. Luz del Horno             |                              |
| 4. Bisagra de la puerta (ambos lados) | 9. Burletes de la puerta     |                              |
| 5. Puerta                             | 10. Posiciones de la rejilla |                              |



## Ubicación de la etiqueta de la placa de características

La etiqueta de la placa de características contiene información de certificación, clasificación e identificación del electrodoméstico. El modelo y el número de serie de la etiqueta de la placa de características son necesarios para registrar el producto, pedir piezas de repuesto o ponerse en contacto con el servicio de atención al cliente. La etiqueta de la placa de características se encuentra en el marco frontal de la cavidad, ya sea en el panel lateral izquierdo o derecho.



## procedimiento de instalación

### Extracción del embalaje:

#### **▲ IMPORTANTE**

#### **PARA EVITAR DAÑAR EL ELECTRODOMÉSTICO**

- Si no retira los materiales de embalaje, el electrodoméstico podría dañarse. Retire toda la cinta y los materiales de embalaje. Compruebe si hay película en las piezas de acero inoxidable, almohadillas/espaciadores en y alrededor de la puerta y la cara del horno, cartón y plástico en y alrededor de los bastidores, dentro del cajón de almacenamiento, etc. No use instrumentos afilados, alcohol, líquidos inflamables o limpiadores abrasivos para quitar la cinta o el pegamento. Estos productos pueden dañar la superficie de su cocina. Haga un inventario de todas las piezas sueltas en la lista "Piezas suministradas". Compruebe si hay daños en el envío y/o piezas faltantes. Cualquier daño y/o piezas faltantes deben ser reportados a su minorista local. Para reducir el peso de la cocina mientras se mueve, ajusta e instala, deje los demás accesorios a un lado hasta que estén listos para instalarse más adelante en estas instrucciones.

## Desmontaje y reinstalación de la puerta:

### **⚠ ADVERTENCIA**

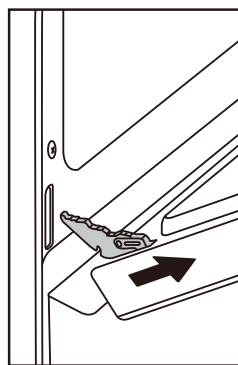
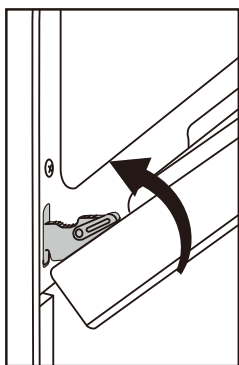
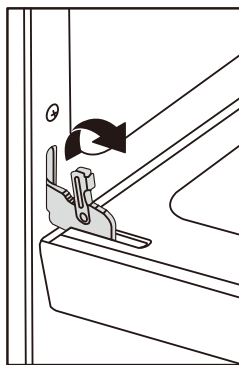
PELIGRO DE INCENDIO

- Si se retira la puerta, confirme que la puerta funciona correctamente y que se sella correctamente cuando se vuelve a instalar. Si el burlete de la puerta no se sella por completo, el calor que se escapa por las puertas podría incendiar los gabinetes.

Durante la instalación, el mantenimiento y la nivelación, puede ser más fácil realizar el trabajo necesario si se retira la puerta del horno. Esto hace que el electrodoméstico sea más ligero y que el acceso a la cavidad del horno sea más fácil. Siga estas instrucciones a continuación para retirar y volver a instalar la puerta.

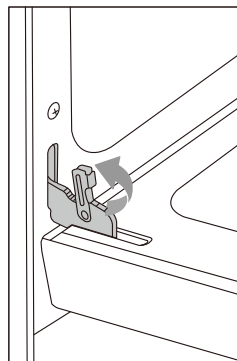
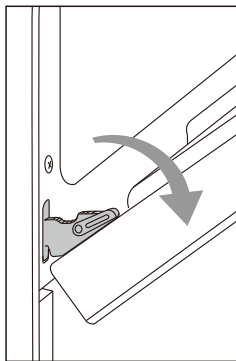
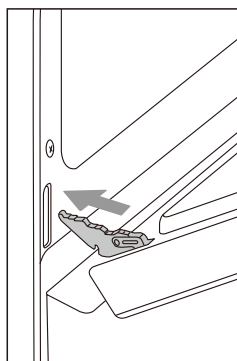
La puerta se puede quitar para facilitar la limpieza, el mantenimiento o la instalación:

1. Abrir la puerta por completo
2. En cada bisagra de la puerta, baje el mecanismo de bloqueo para que se enganche con la puerta cuando se gire la puerta para cerrarla.
3. Una vez que ambos mecanismos de bloqueo estén activados, continúe girando hasta que se encuentre a -2-3 pulgadas de estar completamente cerrados.
4. Agarre la puerta firmemente por los lados y levante la puerta hacia arriba y hacia afuera de la cara del horno. No levante la puerta por la manija de la puerta para reducir el riesgo de que se rompa el vidrio de la puerta



## Reinstalación de la puerta:

1. Sosteniendo la puerta por los lados, alinee la puerta para que las bisagras vuelvan a deslizarse en las aberturas.
2. Gire la puerta hasta que se encuentre a -2-3 pulgadas de estar completamente cerrada, permita que la puerta caiga en las muescas de las bisagras.
3. Gire la puerta hacia afuera hasta que esté completamente abierta.
4. Voltee el mecanismo de bloqueo de la bisagra hacia arriba y lejos de la puerta.
5. Compruebe la correcta apertura y el cierre de la puerta.
6. Si la puerta no funciona correctamente, vuelva a activar los mecanismos de bloqueo, retire la puerta y vuelva a intentar la instalación.



## Extracción y reinstalación del cajón

Durante la instalación, el mantenimiento y la nivelación, puede ser más fácil realizar el trabajo necesario si se retira el cajón. Esto hace que el electrodoméstico sea más ligero y se mejora la visibilidad del soporte antivuelco.

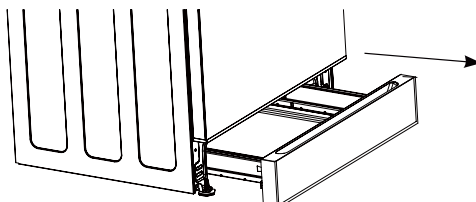
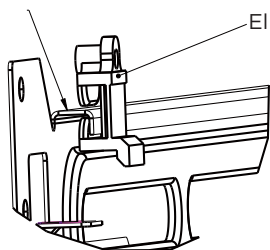
Siga estas instrucciones a continuación para retirar y volver a instalar el cajón.

Para retirar el cajón, extienda completamente el cajón hasta que no se pueda extraer y levante el panel del cajón, luego saque el cajón.

Para volver a instalar el cajón, alinee los rieles del cajón con las correderas de la cocina y empuje el cajón hacia adentro. Abra y cierre el cajón para asegurarse de que los rieles deslizantes funcionen correctamente.

Riel

El soporte de plástico en la caja del cajón



## Instalación del soporte antivuelco

### **⚠ ADVERTENCIA** **PELIGRO DE VUELCO**

- Un niño o un adulto puede caerse sobre la cocina y morir. Verifique que el dispositivo antivuelco se haya instalado y activado correctamente según las instrucciones de instalación. Asegúrese de que el dispositivo antivuelco vuelva a activarse cuando se mueva la cocina.
- No utilice la cocina sin el dispositivo antivuelco en su lugar y acoplado. No hacerlo puede causar la muerte o quemaduras en niños o adultos. No retire las patas niveladoras. Si lo hace, evitará que la cocina quede asegurada por el dispositivo antivuelco.

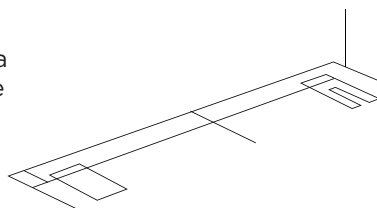
Para reducir el riesgo de vuelco de la cocina, esta debe asegurarse al suelo mediante el soporte antivuelco instalado correctamente y los tornillos embalados con la cocina. Si no se instala el soporte antivuelco, la cocina se volcará si se coloca un peso excesivo sobre una puerta abierta o si un niño se sube a ella. Las lesiones graves pueden causarse por líquidos calientes derramados o a la propia cocina.

El kit antivuelco se proporciona con la cocina. Si falta el soporte antivuelco, está dañado o necesita ser reemplazado, se proporcionará un kit de reemplazo de forma gratuita comunicándose con el servicio de atención al cliente de Midea al **1-866-646-4332** o visitando **midea.com/us/support**.

Si la cocina se mueve a una ubicación diferente, los soportes antivuelco también deben moverse e instalarse con ella. Si se retira la cocina para mantenimiento, asegure la puerta cerrada o retírela para minimizar el riesgo de vuelco. (Consulte la sección "Desmontaje y reinstalación de la puerta" en este manual o en "Limpieza y mantenimiento" en el Manual del usuario para obtener instrucciones sobre cómo quitar la puerta).

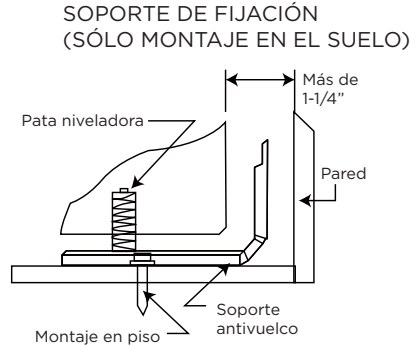
#### Instrucciones:

- Usando la plantilla provista con el kit antivuelco, localice la ubicación preferida para la instalación del soporte antivuelco y marque la ubicación de los orificios de los tornillos. El soporte se puede instalar en la esquina posterior izquierda o posterior derecha del espacio de instalación. Solo es necesario instalar un soporte antivuelco.



- Fije el soporte antivuelco al suelo o a la pared.

- Instalación de construcción de madera: Realice un orificio piloto de 1/8" donde se colocarán los tornillos. Si el soporte se va a montar en la pared, taladre el orificio piloto en un ángulo aproximado de 20° hacia abajo. El tornillo debe entrar en la madera.
- Instalación en construcción de mampostería: Debido a la variedad de materiales de mampostería que puede haber en el lugar de instalación, no se suministran herrajes para fijar el soporte antivuelco a la mampostería. Si el soporte se va a montar en pisos de mampostería o cerámica, coloque el soporte antivuelco utilizando dos anclajes de mangade diámetro exterior de 5/16" (con perno de 1/4", ya sea cabeza de perno hexagonal o cabeza de tuerca hexagonal) clasificados para una tensión mínima de 300lb para el material de mampostería presente en el sitio de instalación.



## Conexión de suministro eléctrico

### **⚠ ADVERTENCIA**

#### **Peligro de descarga eléctrica**

- La instalación debe estar conectada a tierra eléctricamente de acuerdo con los códigos locales o, en ausencia de códigos locales, según el Código Eléctrico Nacional, NFPA 70 o el Código Eléctrico Canadiense, CSA C22.1-02.
- No use un cable de extensión con este producto.
- El cable de alimentación y el enchufe no deben modificarse. Si el enchufe no encaja en la toma de corriente, haga que un electricista cualificado instale una toma de corriente adecuada.
- Retire el fusible de la vivienda o abra el disyuntor antes de comenzar la instalación.
- A partir del 1 de enero de 1996, el Código Eléctrico Nacional requiere que las nuevas construcciones (no existentes) utilicen una conexión de 4 conductores a una cocina eléctrica.
- Asegúrese de que el electrodoméstico está correctamente instalado y conectado a tierra por un proveedor de servicios cualificado.

Este electrodoméstico debe suministrarse con el voltaje y la frecuencia adecuados, y conectarse a un circuito derivado individual, debidamente conectado a tierra, protegido por un disyuntor o fusible que tenga el amperaje especificado en la placa de características. La placa de características se encuentra por encima del cajón en el marco del horno. Después de la

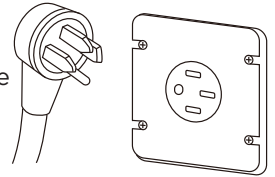
instalación, indique al residente/propietario dónde se encuentra la desconexión eléctrica principal de la cocina y cómo operarla.

Se debe utilizar un sistema eléctrico de 208/120 VAC o 240/120 VAC, 60 Hz, de 3 hilos o 4 hilos, de fase dividida.

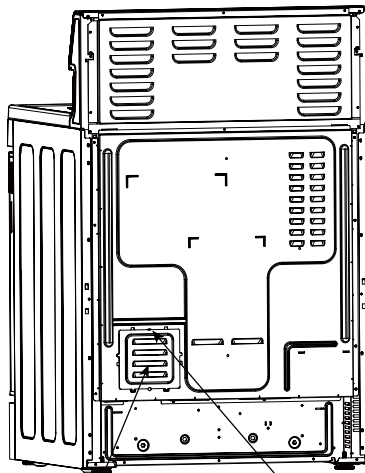
Si el servicio eléctrico proporcionado no cumple con las especificaciones anteriores, pida a un técnico electricista con licencia que instale una toma de corriente aprobada.

Use solo un cable de 3 conductores o 4 conductores con clasificación UL de 40A o 50A. Estos cables pueden estar provistos de un anillo engarzado o terminales de horquilla en el cable. Se debe usar un dispositivo de alivio de tensión al conectar el cable a la cocina. Debido a que los terminales de la cocina no son accesibles después de que la cocina está en posición, se debe usar un conducto o cable de servicio flexible. Deje de 2 a 3 pies de distancia en la línea para que la cocina se pueda mover si alguna vez es necesario realizar un mantenimiento.

Para instalaciones canadienses, simplemente conecte el cable de alimentación conectado a la toma de corriente residencial. La toma de corriente debe estar debidamente conectada a tierra y de acuerdo con el Código Eléctrico Canadiense (Norma CSA C22.1 Parte 1) y cualquier requisito del código eléctrico local.



Acceda al bloque de terminales eléctricos de la cocina quitando el tornillo que sujeta la cubierta de acceso trasera en la parte posterior de la cocina.

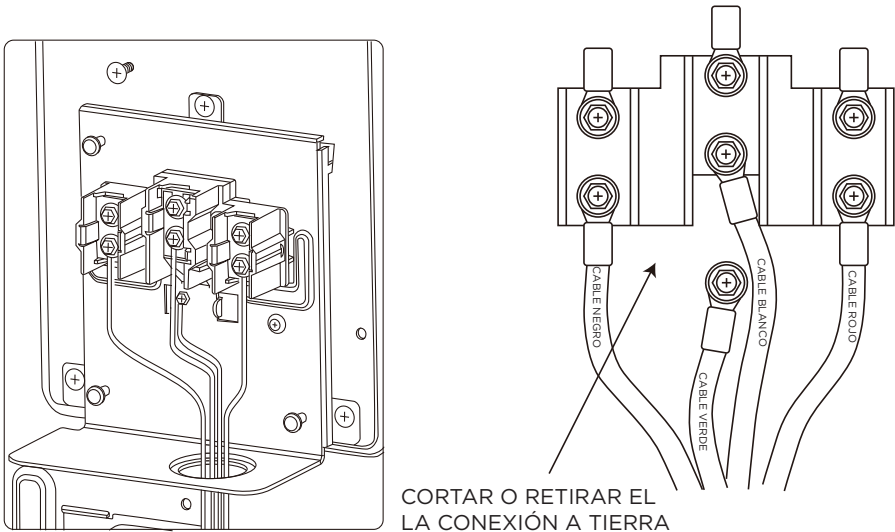


Cubierta del  
bloque de  
terminales

Desatornille para  
retirar la cubierta del  
bloque de terminales

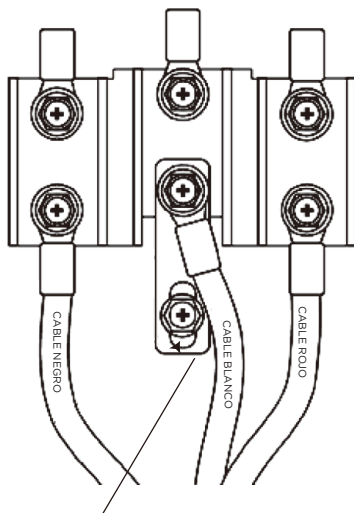
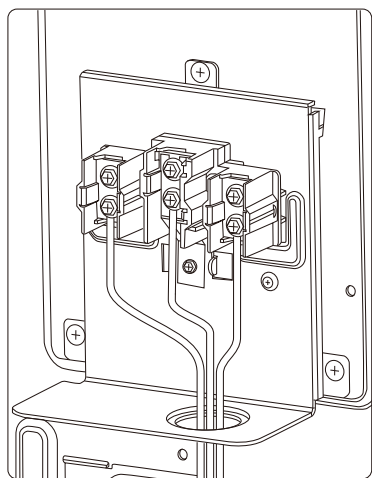
## Instrucciones del cable de alimentación de 4 clavijas

- Pase el cable de alimentación y los cables por la abertura situada debajo del bloque de terminales.
- Asegure el cable colocando el alivio de tensión sobre el cable envainado de aislamiento. (El alivio de tensión debe colocarse en el "cuerpo" del cable y no en los "cables"). Coloque el alivio de tensión de tal manera que los cables tengan suficiente distancia para conectarse al bloque de terminales sin ningún esfuerzo o tensión.
- Retire los 3 tornillos del lado de suministro del bloque de terminales.
- Retire la conexión a tierra de cobre que conecta la conexión neutra en el bloque a la toma de tierra del chasis.
- Conecte los cables de alimentación al bloque de terminales y al chasis como se muestra:
- Vuelva a colocar la tapa de acceso cuando haya terminado.



## Instrucciones del cable de alimentación de 3 clavijas

- Pase el cable de alimentación y los cables por la abertura situada debajo del bloque de terminales.
- Asegure el cable colocando el alivio de tensión sobre el cable envainado de aislamiento. (El alivio de tensión debe colocarse en el "cuerpo" del cable y no en los "cables"). Coloque el alivio de tensión de tal manera que los cables tengan suficiente distancia para conectarse al bloque de terminales sin ningún esfuerzo o tensión.
- Retire los 3 tornillos del lado de suministro del bloque de terminales. Retire la conexión a tierra de cobre que conecta la conexión neutra en el bloque de terminales a la tierra del chasis.
- Conecte los cables de alimentación al bloque de terminales y al chasis como se muestra:
- Vuelva a colocar la tapa de acceso cuando haya terminado.



TORNILLO DE TOMA A TIERRA

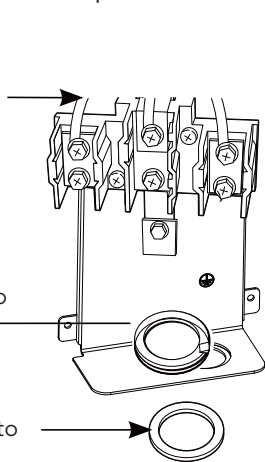
### Instrucciones del conducto

- Desmonte el anillo en el soporte para cambiar la dimensión del orificio.
- Inserte el alivio de tensión del conducto en la abertura debajo del bloque de terminales.
- Apriete la tuerca para mantener el alivio de tensión del conducto en su lugar.
- Pase los cables del conducto a través de la abertura y el alivio de tensión.
- Apriete los tornillos en el alivio de tensión para asegurar el conducto en su lugar. Coloque el conducto dentro del alivio de tensión de tal manera que los cables queden lo suficientemente flojos como para conectarse al bloque de terminales sin ningún esfuerzo o tensión.
- Retire los 3 tornillos del lado de suministro del bloque de terminales. Fije los cables del conducto al bloque de terminales y al chasis como se muestra: Vuelva a colocar la tapa de acceso cuando haya terminado.

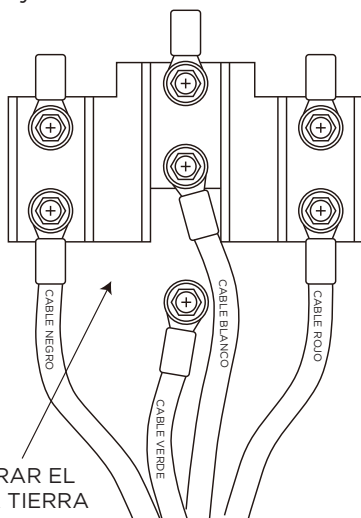
Bloque de terminales (el aspecto puede variar)

Anillo de desprendimiento en soporte

Anillo de desprendimiento retirado



CORTAR O RETIRAR EL LA CONEXIÓN A TIERRA





## Colocación y nivelación

### **⚠ PRECAUCIÓN**

#### **LACERACIÓN, OBJETO EXTRAÑO, PELIGRO DE APLASTAMIENTO**

- Al instalar, mover o reparar cualquier electrodoméstico, use el equipo de protección adecuado, incluidos guantes resistentes a cortes, zapatos con punta de acero y gafas de seguridad.

### **⚠ IMPORTANTE**

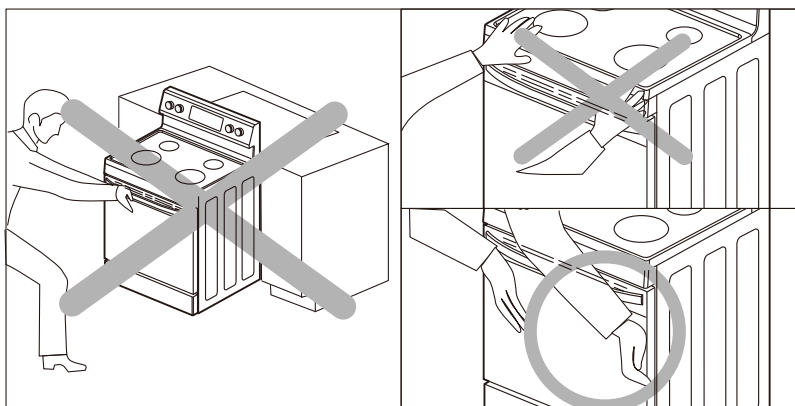
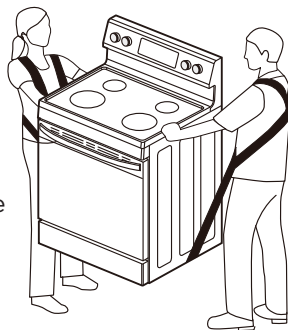
#### **PARA EVITAR DAÑOS**

- No mueva la unidad empujando o tirando de la puerta o del panel de control.
- No lo levante por los bordes de la placa de cocción. Empuje, tire o levante solo sobre el cuerpo o las áreas estructurales, como el horno, la cara del horno o las esquinas traseras del rango. Mueva la cocina levantándola, no deslizándola, para evitar daños en los pisos.
- Use cartón, madera contrachapada o plástico rígido para proteger los pisos si es necesario deslizarlos.

Colocar la unidad de forma correcta en el espacio y el nivel de instalación puede requerir varios intentos.

Se recomienda medir y ajustar las patas de nivelación cuidadosamente antes de colocarlas en el espacio de instalación, ya que las patas de nivelación pueden ser difíciles de ajustar una vez que la cocina está en su posición final.

Todas las cocinas son pesadas, deslizar la cocina puede dañar el suelo. Tenga cuidado al mover la cocina. Use una correa cuando mueva la cocina para evitar dañar el piso, o use cartón, madera contrachapada o plástico rígido para evitar dañar el piso mientras desliza la cocina.



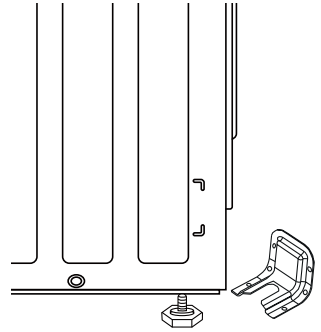
## **⚠ PRECAUCIÓN**

NO empuje la unidad con fuerza cuando la instale. Estas acciones pueden causar daños a la unidad.

NO agarre la placa de cocción y empuje de ella cuando la instale. (Agarre el área de la puerta izquierda/derecha para empujar la unidad)

### **Instrucciones:**

- Use una cinta métrica para medir desde el piso hasta la parte superior de la encimera en las cuatro esquinas del espacio de instalación.
- Mientras la cocina todavía está colocada fuera del espacio de instalación, ajuste la pata de nivelación en cada esquina para que la distancia desde el piso hasta la parte inferior del borde de la placa de cocción coincida con las dimensiones medidas en el espacio de instalación.
- Con dos personas, mueva la cocina a su ubicación de instalación final, teniendo cuidado de no dañar las encimeras, el piso o el electrodoméstico.
  - **IMPORTANTE:** No mueva la unidad empujando o tirando de la puerta o del panel de control.  
Empuje, tire o levante solo sobre el cuerpo o las áreas estructurales, como el horno, la cara del horno o las esquinas traseras del rango.
  - Tenga cuidado de no pellizcar ni doblar las conexiones de gas o eléctricas. Si la unidad no se mueve suavemente, compruebe si hay obstrucciones. No intente forzar la unidad a su posición.
- Compruebe que la línea de suministro de gas no esté dañada.
- Compruebe que la pata trasera de la cocina ha encajado correctamente en el soporte antivuelco. Si no es posible la inspección visual realice lo siguiente:
  - Deslice la cocina hacia adelante
  - Confirme que el soporte antivuelco esté bien sujeto al suelo o a la pared en la posición correcta según las instrucciones de instalación.
  - Deslice completamente la cocina hacia atrás contra la pared para que la pierna de nivelación se enganche con el soporte antivuelco.
- Para garantizar que los productos horneados, como panes y pasteles, salgan uniformes y nivelados, confirme que la cocina está nivelada colocándola en la posición Compruebe el nivel tanto de adelante hacia atrás como de lado a lado. Use pinzas ajustables para ajustar las patas de nivelación según sea necesario para nivelar la cocina.
- Vuelva a instalar la puerta, el cajón y las rejillas del horno.



## Funcionamiento de la placa de cocción

Compruebe el funcionamiento de todos las resistencias de la placa de cocción después de que la cocina haya sido completamente instalada, ensamblada y se hayan completado las conexiones eléctricas.

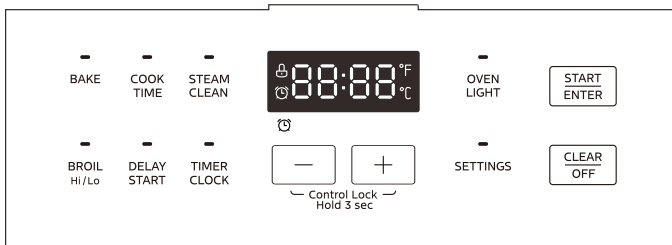
Instrucciones:

Para cada quemador, uno a la vez, gire la perilla a la posición "HI", confirme que el elemento comience a encenderse y calentarse.

Confirme que la luz indicadora de superficie caliente se ilumina correctamente.

## Funcionamiento del horno

Compruebe el funcionamiento de los elementos de horneado y braseado del horno después de que la cocina haya sido completamente instalada, ensamblada y se hayan completado las conexiones eléctricas.



Instrucciones:

- Asegúrese de que la puerta esté cerrada, que se haya retirado todo el embalaje y que el horno esté vacío, excepto las rejillas del horno.
- Pulse el botón BAKE en el control del horno; el control se ajustará por defecto a 350 °F.
- Ajuste la temperatura a 170 °F.
- Pulse el botón START/ENTER en el control del horno.

- Escuche si los relés del control electrónico hacen "clic".
- Sin tocar el fondo del horno, después de un par de minutos, confirme que se puede sentir el calor que irradia desde el fondo del horno.
- Permita el modo de BAKE hasta que la unidad se haya precalentado a 170 °F. Confirme que la pantalla muestre "PRE" y que el precalentamiento indique cuándo se alcanza la temperatura.
- Pulse el botón de CLEAR/OFF para detener el modo de horneado.
- Pulse el botón de BROIL en el control del horno.
- Pulse el botón START/ENTER en el control del horno.
- Sin tocar el elemento de asar, después de un par de minutos, confirme que se puede sentir el calor que irradia el elemento de asar. Después de varios minutos, se puede ver visualmente que el elemento para asar comienza a brillar en rojo.
- Pulse el botón de CLEAR/OFF para detener el modo de asado.
- Si algo no funciona correctamente, haga que el proveedor de servicio técnico calificado investigue la causa del mal funcionamiento.

### **Lista de verificación de instalación final:**

La instalación se ha completado. Como verificación final para confirmar que todos los pasos se han completado con éxito, el instalador debe leer la siguiente lista de verificación y poner sus iniciales en cada punto indicando que el trabajo se ha realizado de acuerdo con estas instrucciones:

- Se ha confirmado que el espacio de instalación cumple con los requisitos de espacio y dimensiones, incluido que el flujo de aire no esté obstruido en la parte delantera de la unidad.
- El soporte antivuelco se ha instalado correctamente y se ha confirmado que la pata de nivelación de la cocina encaja correctamente con el soporte antivuelco.
- El suministro eléctrico se ha conectado correctamente a la cocina, de acuerdo con todos los códigos y regulaciones aplicables.
- Se ha completado la conversión para instalaciones de gas LP y de gran altitud, si es necesario.
- Se ha verificado que el funcionamiento del horno y los controles del horno funcionen correctamente.
- La puerta y el cajón del horno se han instalado correctamente y funcionan correctamente. La puerta del horno se cierra por completo.
- Todas las instrucciones, incluidas este manual, las instrucciones de conversión y las instrucciones del soporte antivuelco, se han dejado al propietario/residente, con instrucciones que debe conservar para futuras consultas.

# SOLUCIÓN DE PROBLEMAS

Lea lo siguiente antes llamar al servicio técnico

Midea se compromete a proporcionarle un electrodoméstico de calidad que funcione como se esperaba. Si encuentra algo que no funciona como está previsto, consulte la tabla a continuación para obtener consejos y sugerencias útiles que podrían ahorrarle el tiempo y los gastos de llamar para su reparación.

## Quemadores

Problema	Posible causa
No puede mantener el hervor o no se cocina lo suficientemente rápido.	<ul style="list-style-type: none"><li>• Utensilios de cocina inadecuados: use solo sartenes con fondo plano y que coincidan con el diámetro de la resistencia de la placa de cocción seleccionado.</li><li>• Las ollas y los sartenes grandes pueden perder mucho calor por la parte superior. Cubra con una tapa para retener mejor el calor.</li></ul>
La placa de cocción no funcionará.	<ul style="list-style-type: none"><li>• Si la pantalla del panel de control no está encendida, es posible que el electrodoméstico no esté recibiendo energía. Compruebe que el disyuntor o el fusible no se hayan disparado y que el cable esté conectado correctamente.</li></ul>
La resistencia de la placa de cocción no brilla de forma constante.	<ul style="list-style-type: none"><li>• Esto es normal: la resistencia de la placa de cocción se apagará/encenderá para mantener el nivel de potencia seleccionado en la perilla. Esto es normal incluso en la configuración más alta.</li></ul>
La resistencia de la placa de cocción no se ilumina cuando se reduce el nivel de potencia.	<ul style="list-style-type: none"><li>• Esto es normal: la resistencia de la placa comenzará a funcionar de nuevo una vez que esta se haya enfriado ligeramente.</li></ul>
El vidrio de la placa de cocción está rayado.	<ul style="list-style-type: none"><li>• Método de limpieza incorrecto utilizado: las rayas no se pueden eliminar, pero se pueden evitar más rayas siguiendo las instrucciones de limpieza de este manual.</li><li>• Se han utilizado utensilios de cocina con fondo áspero o los utensilios de cocina se han deslizado por la placa de cocción: las rayas no se pueden eliminar, pero se pueden evitar más rayones asegurándose de que los utensilios de cocina tengan el fondo plano, sean lisos, estén limpios y no se deslicen por la placa de cocción.</li></ul>

## Quemadores

Problema	Posible causa
La placa de cocción está descolorida.	<ul style="list-style-type: none"><li>• La placa de cocción no se limpia a fondo; consulte la sección de este manual sobre el cuidado y la limpieza de la placa de cocción.</li></ul>
La placa de cocción está marcada.	<ul style="list-style-type: none"><li>• Se ha producido un derrame de azúcar en el vidrio caliente; esto no se puede reparar. Se debe llamar al servicio técnico para reemplazar el vidrio de la placa de cocción.</li></ul>

## Horno

Problema	Posible causa
Fuerte olor a "quemado" o "aceitoso" cuando se usa un horno nuevo.	<ul style="list-style-type: none"><li>• Esto es normal en una nueva cocina y desaparecerá después de algunos usos. Aún así, para tener cuidado, debe verificar que todo el embalaje se haya retirado del electrodoméstico; verifique alrededor de los lados de la puerta y dentro del cajón.</li></ul>
El control está oscuro y no responde	<ul style="list-style-type: none"><li>• Si la pantalla del panel de control muestra solo "]" o "[", el control está en modo Sabbath. Consulte esa sección para saber cómo utilizar el control y cómo salir del modo Sabbath.</li></ul>
El control está encendido pero no responde	<ul style="list-style-type: none"><li>• Compruebe que no se haya activado el "BLOQUEO DE CONTROL".</li></ul>
La comida no se hornea de manera uniforme: la parte superior se hace más rápido/más lento que la parte inferior.	<ul style="list-style-type: none"><li>• Asegúrese de que está utilizando la configuración recomendada de las rejillas. Consulte el apartado "Posiciones de la rejilla" al principio de la sección "Funcionamiento del horno".</li><li>• Una receta puede funcionar mejor en diferentes posiciones de la rejilla. Si desplaza los alimentos hacia abajo una posición de la rejilla, la parte inferior se oscurecerá y la superior se aclarará. Si sube los alimentos una posición en la rejilla, la parte inferior se aclarará y la superior se oscurecerá.</li></ul>
La luz del horno no funciona	<ul style="list-style-type: none"><li>• La luz del horno se puede haber quemado. Siga las instrucciones del manual en la sección "Limpieza y mantenimiento" del usuario.</li></ul>

## Horno

Problema	Posible causa
El humo o el vapor provienen de las aberturas en la parte posterior de la placa de cocción.	<ul style="list-style-type: none"><li>• Es normal que se libere vapor de la ventilación del horno en la parte posterior de la placa de cocción. Si el escape no tiene olor (o huele a comida normal para hornear), no se alarme.</li><li>• Si el escape huele a comida quemada, compruebe que la comida no se esté quemando y que no hay derrames o salpicaduras en el horno que puedan estar produciendo el humo.</li><li>• Si el escape huele a que algo más se está quemando (plástico, madera, etc.), apague el horno y asegúrese de que no salga más humo. Póngase en contacto con un proveedor de servicios cualificado para las reparaciones.</li></ul>
Aparece la letra "E" y un número en la pantalla	<ul style="list-style-type: none"><li>• Este es un código de error. Pulse "CLEAR/OFF" para borrar la pantalla y que deje de pitar. Si es necesario, reinicie la alimentación del horno encendiendo y apagando el disyuntor. Si el código de error permanece o se repite, anote el código de error y comuníquese con un proveedor de servicio técnico calificado para que lo repare.</li></ul>

# GARANTÍA LIMITADA DE 2 AÑOS

Midea America Corp. ("Midea" o "nosotros") proporciona esta garantía al comprador original al por menor (el "comprador" o "usted"), que garantiza todas las piezas de este Producto, como se describe a continuación. Midea otorga garantía de este producto al comprador para uso personal, familiar o doméstico. Esta garantía cubre problemas de rendimiento y calidad en materiales y mano de obra que aparezcan en condiciones normales de uso y mantenimiento dentro de los dos años a partir de la fecha de compra. Esta garantía le otorga derechos legales específicos y también puede tener otros derechos que varían de un estado a otro.

## LIMITACIONES DE LA GARANTÍA

Esta garantía se otorga solo al comprador original al por menor en los Estados Unidos o Canadá y no puede transferirse a ningún comprador posterior. Esta garantía no se aplica a los compradores de nuestros productos para su uso o reventa en un negocio; una garantía comercial separada puede proteger a esos compradores.

Esta garantía no cubre ninguna falla del producto causada por:

- a. Abuso, daño o uso del producto que infringen las instrucciones del mismo.
- b. Modificación a cualquier producto o pieza.
- c. No realizar el mantenimiento del producto o de la pieza tal y como se describe en las instrucciones del producto.
- d. Instalación o aplicación defectuosa.
- e. Uso de piezas o accesorios no compatibles con este producto.
- f. Inundaciones, incendios, vientos, rayos, accidentes, atmósfera corrosiva u otras condiciones fuera del control de Midea.
- g. Interrupción en el servicio eléctrico o servicio eléctrico inadecuado.
- h. Sustitución de fusibles y sustitución o restablecimiento de disyuntores.
- i. Tuberías de agua congeladas o rotas, daños por agua, intrusión de humedad, moho u otro crecimiento biológico.
- j. El uso, combinación o vinculación del Producto a otros productos, procesos o materiales no proporcionados por Midea.

## RECURSO DE GARANTÍA

Si se descubre algún problema de calidad o rendimiento cubierto por esta garantía durante el período de garantía, repararemos o sustituiremos, a nuestra elección, dicho Producto. Esta garantía se limita a la reparación o sustitución del producto por parte de un servicio técnico o distribuidor autorizado de Midea y no cubre ningún costo de envío, costo de mano de obra, derechos de aduana, costo de logística interior o costo de servicio, incluidos los costos de diagnóstico, desmontaje, transporte o reinstalación. Si se lo pedimos, deberá devolvernos el producto.

## EXENCIÓN DE RESPONSABILIDAD SOBRE LA GARANTÍA; EXCLUSIÓN DE DAÑOS

Esta es la única garantía expresa que ofrecemos a los consumidores sobre nuestros productos. **CUALQUIER GARANTÍA IMPLÍCITA POR PARTE DE MIDEA, INCLUIDAS PERO NO LIMITADAS A LAS GARANTÍAS DE COMERCIABILIDAD E IDONEIDAD PARA UN FIN DETERMINADO, ESTÁN LIMITADAS A LA DURACIÓN DE ESTA GARANTÍA EXPRESA.** Algunos estados y provincias no permiten la exclusión de garantías expresas y/o la limitación de la duración de una garantía implícita, por lo que es posible que la exclusión y/o limitación anterior no se aplique en su caso.

**EL RECURSO DESCRITO ANTERIORMENTE ES EL ÚNICO QUE PROPORCIONAREMOS,**



**YA SEA EN VIRTUD DE ESTA GARANTÍA O DE CUALQUIER GARANTÍA QUE SURJA POR EFECTO DE LA LEY. NO NOS HAREMOS RESPONSABLES DE NINGÚN DAÑO CONSECUENTE O INCIDENTAL DERIVADO DEL INCUMPLIMIENTO DE ESTA GARANTÍA O DE CUALQUIER OTRA GARANTÍA, YA SEA EXPRESA O IMPLÍCITA, NEGLIGENCIA U OTRO AGRAVIO, O DE CUALQUIER TEORÍA DE RESPONSABILIDAD ESTRUCTA, INCLUIDA PERO NO LIMITADA A LA PÉRDIDA DE BENEFICIOS.** Algunos estados no permiten esta exclusión o limitación de daños incidentales o consecuentes, por lo que es posible que la exclusión anterior no se aplique en su caso.

## **PROCESO DE RECLAMACIÓN DE LA GARANTÍA**

Para obtener más información o presentar una reclamación de garantía, visite:

<https://www.midea.com/us/support>

O póngase en contacto con nosotros en:

Teléfono: 1-866-646-4332

Correo electrónico: [customerserviceusa@midea.com](mailto:customerserviceusa@midea.com)

Debe tener su factura de venta, albarán de entrega o prueba de compra adecuada para presentar una reclamación de garantía. La fecha de compra establece el periodo de garantía, en caso de requerir servicio.

## **RESOLUCIÓN DE LITIGIOS**

**CLÁUSULA ARBITRAL. IMPORTANTE. REVISE ESTA CLÁUSULA ARBITRAL. AFECTA A SUS DERECHOS LEGALES.**


- a. Partes: Esta cláusula de arbitraje (esta "cláusula de arbitraje") afecta sus derechos contra Midea y cualquiera de sus filiales o empleados o agentes, sucesores o cesionarios, todos los cuales en conjunto se denominan conjuntamente a continuación como "nosotros" o "nos" para facilitar la referencia.
- b. **REQUISITO ARBITRAL: EXCEPTO EN LOS CASOS QUE SE INDICA A CONTINUACIÓN, CUALQUIER DISPUTA ENTRE USTED Y CUALQUIERA DE NOSOTROS SE DECIDIRÁ MEDIANTE ARBITRAJE NEUTRAL Y VINCULANTE Y NO ANTE UN TRIBUNAL O UN JUICIO CON JURADO.** "Litigio" tendrá el significado más amplio que permita la ley. Incluye cualquier litigio, reclamación o controversia que surja de o esté relacionada con su compra de este producto, cualquier garantía sobre el producto o el estado del Producto. También incluye la determinación del alcance o aplicación de esta Cláusula Arbitral. El requisito de arbitraje se aplica a las reclamaciones contractuales y extracontractuales, estatutarias o de otro tipo.
- c. **RENUNCIA AL ARBITRAJE COLECTIVO: EL ARBITRAJE SE GESTIONA DE FORMA INDIVIDUAL. SI SE ARBITRA UN LITIGIO, USTED Y NOSOTROS RENUNCIAMOS EXPRESAMENTE A CUALQUIER DERECHO A PARTICIPAR COMO REPRESENTANTE O MIEMBRO DE UNA CLASE EN CUALQUIER DEMANDA COLECTIVA QUE USTED PUEDA TENER CONTRA NOSOTROS O NOSOTROS CONTRA USTED, O COMO FISCAL GENERAL PRIVADO O EN CUALQUIER OTRA CAPACIDAD REPRESENTATIVA, EN LA MEDIDA MÁXIMA PERMITIDA POR LA LEY. USTED Y NOSOTROS TAMBIÉN RENUNCIAMOS A CUALQUIER DERECHO DE ARBITRAJE COLECTIVO O A CUALQUIER CONSOLIDACIÓN DE ARBITRAJES INDIVIDUALES.**
- d. Descubrimiento y otros derechos: Las pruebas y los derechos de apelación en el arbitraje suelen ser más limitados que en una demanda. Esto se aplica tanto a usted como a nosotros. Otros derechos que usted o nosotros tendríamos en los tribunales pueden no estar disponibles en el arbitraje. Para más información, lea esta cláusula de arbitraje y consulte las normas de las organizaciones de arbitraje que se indican a continuación.
- e. **OPCIÓN DE TRIBUNAL DE RECLAMACIONES MENORES: PUEDE OPTAR POR LITIGAR CUALQUIER DISPUTA ENTRE USTED Y CUALQUIERA DE NOSOTROS EN UN TRIBUNAL DE RECLAMOS MENORES, EN LUGAR DE UN ARBITRAJE, SI LA DISPUTA CUMPLE CON TODOS LOS REQUISITOS PARA SER ESCUCHADA EN UN TRIBUNAL DE RECLAMOS MENORES.**

- f. Ley aplicable: Para los residentes de Estados Unidos, los procedimientos y efectos del arbitraje se regirán por la Ley Federal de Arbitraje (9 U.S.C. § 1 et seq.) y no por la legislación estatal relativa al arbitraje. Para los residentes de Canadá, los procedimientos y efectos del arbitraje se regirán por la ley de arbitraje aplicable de la provincia en la que compró su producto. La ley que rige sus derechos sustantivos de garantía y otras reclamaciones será la ley del estado o provincia en la que compró su producto. Cualquier tribunal competente puede dictar sentencia sobre el laudo arbitral.
- g. Reglas arbitral: Si el importe de la controversia es inferior a \$ 250.000, el arbitraje será decidido por un árbitro único. Si el importe de la controversia es mayor o igual a \$ 250,000, el arbitraje será decidido por un panel de tres árbitros. El árbitro o árbitros serán elegidos de conformidad con las normas de la organización de arbitraje administradora. Los residentes de los Estados Unidos pueden elegir JAMS (1920 Main Street, Ste. 300, Irvine, CA 92614, [www.jamsadr.com](http://www.jamsadr.com)) o, sujeto a nuestra aprobación, cualquier otra organización de arbitraje. Además, los residentes canadienses pueden optar por el ADR Institute de Canadá (234 Eglinton Ave. East, Suite 405, Toronto, Ontario, M4P 1K5, [www.amic.org](http://www.amic.org)). Las reglas de estas organizaciones se pueden obtener poniéndose en contacto con la organización o visitando su sitio web. Si las normas de la organización de arbitraje elegida entran en conflicto con esta Cláusula de Arbitraje, prevalecerán las disposiciones de esta Cláusula de Arbitraje. El laudo del árbitro o árbitros será definitivo y vinculante para todas las partes.
- h. Lugar de la audiencia arbitral: Salvo que la ley aplicable disponga lo contrario, la audiencia de arbitraje para los residentes en Estados Unidos se llevará a cabo en el distrito judicial federal en el que usted resida (en el área de su ciudad de residencia) o, para los residentes en Canadá, en la provincia en la que resida y, si así lo elige, será presencial.
- i. Costos arbitrales: Cada parte es responsable de los costes y honorarios de su abogado, perito y otros, a menos que la ley aplicable exija lo contrario. Sin perjuicio de la oración anterior, y a menos que la ley aplicable exija lo contrario, si usted es un consumidor según las normas de JAMS o las normas de otro administrador de arbitraje acordado, Midea le pagará o reembolsará todos los honorarios o costos razonables en la medida en que lo exija la ley o las normas del administrador de arbitraje aplicable. Independientemente de que la ley o dichas normas lo exijan o no, si usted prevalece en el arbitraje sobre cualquier reclamación contra Midea, Midea le reembolsará los honorarios razonables pagados al administrador del arbitraje en relación con el procedimiento de arbitraje. Bajo ninguna circunstancia Midea solicitará al usuario el pago o reembolso de los honorarios razonables en que incurra Midea en relación con el arbitraje. Si usted está obligado a adelantar los honorarios o costes a JAMS u otro administrador de arbitraje acordado, pero solicita a Midea que lo haga en su lugar, Midea lo tendrá en cuenta y responderá a su solicitud.
- j. Continuidad y cumplimiento de esta cláusula arbitral: Esta cláusula arbitral continuará en vigor tras la expiración o terminación, o cualquier transferencia, de la garantía de su producto. Si alguna parte de esta cláusula arbitral, excepto las renunciaciones a los derechos de demanda colectiva, se considera inaplicable por cualquier motivo, el resto de esta cláusula y la garantía seguirán siendo aplicables. En el supuesto caso en que se hayan formulado alegaciones de demanda colectiva, si la renuncia a los derechos de demanda colectiva en virtud de la presente garantía se considera inaplicable con respecto a cualquier parte del litigio, las partes del litigio con respecto a las cuales se haya considerado inaplicable la renuncia a los derechos de demanda colectiva se separarán y procederán ante los tribunales sin referencia ni aplicación de la presente cláusula arbitral. Las partes restantes se someterán a arbitraje.

## **RESIDENTES DE QUEBEC**

Las disposiciones arbitrales de esta garantía no se aplicarán a los residentes de Quebec.

# MARCAS COMERCIALES, DERECHOS DE AUTOR Y DECLARACIÓN LEGAL

 El logotipo, las marcas denominativas, el nombre comercial, la imagen comercial y todas las versiones de los mismos son activos valiosos de Midea Group y/o sus filiales ("Midea"), de las que Midea posee marcas comerciales, derechos de autor y otros derechos de propiedad intelectual, y todo el fondo de comercio derivado del uso de cualquier parte de una marca comercial de Midea. El uso de la marca Midea con fines comerciales sin el consentimiento previo por escrito de Midea puede constituir una infracción de la marca o una competencia desleal en violación de las leyes pertinentes.

Este manual es creado por Midea, y Midea se reserva todos los derechos de autor del mismo. Ninguna entidad o individuo puede usar, duplicar, modificar, distribuir en su totalidad o en parte este manual, o agrupar o vender con otros productos sin el consentimiento previo por escrito de Midea.

Todas las funciones e instrucciones descritas estaban actualizadas en el momento de imprimir este manual. Sin embargo, el producto real puede variar debido a funciones y diseños mejorados.

# AVISO DE PROTECCIÓN DE DATOS

Para la prestación de los servicios acordados con el cliente, Nos comprometemos a cumplir sin restricciones todas las estipulaciones de la ley de protección de datos aplicable, de conformidad con los países acordados en los que se prestarán los servicios al cliente,

En general, nuestro tratamiento de datos tiene por objeto cumplir nuestra obligación contractual con usted y, por motivos de seguridad del producto, salvaguardar sus derechos en relación con la garantía y el registro del producto. En algunos casos, pero solo si se garantiza la protección de datos adecuada, los datos personales podrían transferirse a destinatarios ubicados fuera del Espacio Económico Europeo.

Si desea, puede solicitar más información al respecto. Puede ponerse en contacto con nuestro responsable de protección de datos a través de **MideaDPO@midea.com**. Para ejercer sus derechos, como el derecho a oponerse al tratamiento de sus datos personales con fines de marketing directo, póngase en contacto con nosotros a través de **MideaDPO@midea.com**. Para obtener más información, siga el código QR.

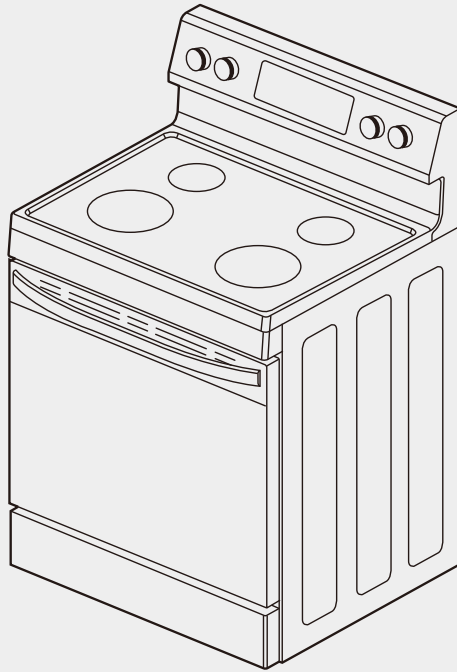


*make yourself at home*



[www.midea.com](http://www.midea.com)

© Midea 2024 Todos los derechos reservados



GAMME ÉLECTRIQUE

# INSTRUCTIONS D'INSTALLATION

MER30S2AST/MER30S2AWW/MER30S2ABB

**Important :** Conserver à l'usage de l'inspecteur local en électricité.

Avis d'avertissement : Avant d'utiliser ce produit, veuillez lire attentivement ce manuel et le garder pour une référence future. La conception et les spécifications sont susceptibles d'être modifiées sans préavis pour améliorer le produit. Contactez votre revendeur ou fabricant pour plus de détails. Le schéma ci-dessus n'est qu'à titre de référence. Considérez l'apparence du produit réel comme standard.

## LETTRE DE REMERCIEMENT

Merci d'avoir choisi Midea ! Avant d'utiliser votre nouveau produit Midea, veuillez lire attentivement ce manuel afin de vous assurer que vous savez comment utiliser les caractéristiques et les fonctions de votre nouvel appareil en toute sécurité.

# SOMMAIRE

LETTRE DE REMERCIEMENT .....	FR-01
CONSIGNES DE SÉCURITÉ IMPORTANTES .....	FR-02
INSTALLATION DU PRODUIT .....	FR-09
DÉPANNAGE .....	FR-26
GARANTIE LIMITÉE DE 2 ANS.....	FR-29
MARQUES, DROITS D'AUTEUR ET DÉCLARATION LÉGALE.....	FR-32
AVIS SUR LA PROTECTION DES DONNÉES .....	FR-33

# CONSIGNES DE SÉCURITÉ IMPORTANTES

## Utilisation prévue

Les consignes de sécurité suivantes sont destinées à prévenir les risques ou dommages imprévus dus à une utilisation dangereuse ou incorrecte de l'appareil. Veuillez vérifier l'emballage et l'appareil à l'arrivée pour vous assurer que tout est intact afin de garantir un fonctionnement sûr. Si vous constatez des dommages, veuillez contacter le détaillant ou le revendeur. Veuillez noter que les modifications ou altérations de l'appareil ne sont pas autorisées pour des raisons de sécurité. Une utilisation non prévue peut entraîner des risques et la perte des droits à la garantie.

## Explication des symboles



### **Danger**

Ce symbole indique qu'il existe des dangers pour la vie et la santé des personnes en raison d'un gaz extrêmement inflammable.



### **Avertissement lié à la tension électrique**

Ce symbole indique la présence d'un danger pour la vie et la santé des personnes en raison de la tension.



### **Avertissement**

Ce symbole indique un danger ayant un niveau de risque moyen susceptible de provoquer la mort ou des blessures graves s'il n'est pas évité.



### **Mise en garde**

La mention d'avertissement indique un danger avec un niveau de risque faible qui, s'il n'est pas évité, peut entraîner des blessures légères ou modérées.



### **Attention**

La mention d'avertissement indique une information importante (p. ex. un dommage matériel), mais pas un danger.



### **Respecter les consignes**

Ce symbole indique qu'un technicien de service ne doit utiliser et entretenir cet appareil que conformément aux instructions d'utilisation.

Il faut lire prudemment et attentivement ce manuel avant d'utiliser/de mettre en service l'appareil et le conserver à proximité immédiate du lieu d'installation ou de l'appareil pour toute utilisation future !

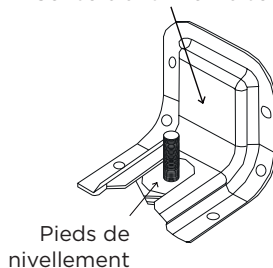


## **⚠ AVERTISSEMENT** **RISQUE DE BASCULEMENT**

Un enfant ou un adulte peut faire basculer la gamme et être tué. Vérifier que la console anti-basculement a été correctement installé et engagé conformément aux instructions d'installation. S'assurer que la console anti-basculement est réengagée lorsque la gamme est déplacée. Ne pas utiliser la gamme sans que la console anti-basculement soit en place et engagée. Ne pas le



Console anti-inclinaison



faire peut entraîner la mort ou de graves brûlures chez les enfants ou les adultes. Ne pas retirer les jambes de mise à niveau. Le faire empêchera la gamme d'être sécurisée par la console anti-basculement.

Pour vous assurer que la console anti-basculement est correctement installée, regarder sous la gamme pour vous assurer que la jambe de mise à niveau arrière est engagée dans la console. Si l'inspection visuelle n'est pas possible :

- Faire glisser la gamme vers l'avant
- Confirmer que la console anti-basculement est solidement fixée au sol ou au mur en position correcte conformément aux instructions d'installation.
- Faire glisser complètement la gamme contre le mur de sorte que la jambe de mise à niveau s'engage avec la console anti-basculement.

Si la gamme est mise hors service, sécuriser la porte fermée ou retirer la porte pour minimiser le risque de basculement. (Voir la section « Porte » sous

« Nettoyage et entretien » dans ce manuel pour obtenir des instructions sur comment retirer la porte.)

## **⚠ AVERTISSEMENT**

### **INSTALLATION ET MAINTENANCE**

- Cet appareil n'est prévu que pour un usage résidentiel normal. Il n'est pas approuvé pour un usage commercial, une installation extérieure ou toute autre application non spécifiquement autorisée par ce manuel.
- S'assurer que votre appareil est correctement installé et mis à la terre en confiant l'installation à un prestataire de service qualifié.
- L'installateur doit laisser toutes les instructions, y compris ce manuel, les instructions de conversion et les instructions de la console anti-basculement, au propriétaire/résident, avec des instructions à conserver pour la consultation future.
- NE pas utiliser cet appareil s'il a été endommagé ou ne fonctionne pas correctement. Communiquer avec un prestataire de services qualifié pour les réparations.
- Ne pas réparer ou remplacer une pièce quelconque de l'appareil sauf si le manuel le recommande spécifiquement. Tout autre entretien doit être confiée à un prestataire de services qualifié..
- Ne pas utiliser de nettoyeurs pour four. Aucun nettoyeur pour four commercial ou revêtement protecteur de four de quelque nature que ce soit ne doit être utilisé sur aucune partie de cet appareil.
- Cet appareil nécessite une branchement à une source électrique mise à la terre à 3 ou 4 broches, 240 V AC, phase auxiliaire, 60 Hz. Une fois installé, l'appareil doit être mis à la terre électriquement conformément

aux codes locaux ou, en l'absence de codes locaux, au Code national de l'électricité, NFPA 70 ou au Code canadien de l'électricité, CSA C22.1-02.

### **⚠ AVERTISSEMENT UTILISATION GÉNÉRALE**

- Ne pas entreposer de matériaux inflammables ou d'articles sensibles à la température à l'intérieur du four, dans un tiroir d'entreposage ou sur ou à proximité des éléments chauffants de la surface de cuisson de l'appareil.
- Ne permettre à personne de grimper, se tenir debout, se pencher, s'asseoir ou s'accrocher à aucune partie de l'appareil, en particulier une porte ou un tiroir.
- Cet appareil n'a pas été évalué en vue d'une utilisation avec des systèmes tiers de seconde monte.

### **⚠ AVERTISSEMENT RISQUE RELATIF À LA SURFACE DE CUISSON**

- Ne pas utiliser une surface de cuisson cassée - Si la surface se brise, les solutions de nettoyage et les débordements peuvent y pénétrer et provoquer un risque de choc électrique. Communiquer immédiatement avec un prestataire de services qualifié pour les réparations.
- Si vos vêtements ou vos cheveux prennent feu, se baisser et rouler immédiatement pour éteindre les flammes.

### **⚠ AVERTISSEMENT RISQUES LIÉS AU FOUR**

- Ne jamais placer quoi que ce soit (papier d'aluminium, tapis de déversement, pierre de cuisson, batterie de cuisine, etc.) sur la partie inférieure de la cavité du

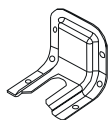
four. Ces articles peuvent piéger la chaleur ou fondre, entraînant des dommages à l'appareil et un risque de choc électrique, de fumée ou d'incendie.

- Ne pas obstruer les événements du four ou toute autre fente ou ouverture de l'appareil.

## AVANT DE COMMENCER L'INSTALLATION

### Pièces incluses avec le produit

Les composants et accessoires de four suivants sont emballés avec le produit. Lorsque le produit est déballé pour la première fois, vérifier que tous ces composants sont présents. S'il manque quelque chose, vérifier soigneusement les matériaux d'emballage pour voir s'il manque des articles. S'il est impossible de trouver les articles, communiquer avec le service après-vente de Midea au 1-866-646-4332 ou visitez [midea.com/us/support](http://midea.com/us/support) pour obtenir de l'assistance.



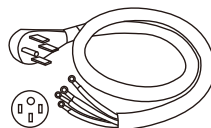
Kit de console anti-basculement



Étagère Grillagée



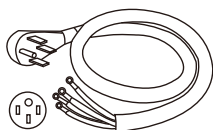
Manuel du propriétaire



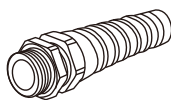
Cordon d'alimentation 240 V CA à 4 broches, avec une capacité nominale de 50 A (produits vendus au Canada seulement)

### Matériel requis :

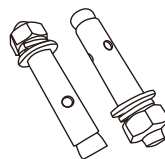
Le branchement aux services publics et la structure de la maison dans chaque maison peuvent être différentes, de sorte que les pièces spécifiques requises pour le branchement à la maison ne sont pas incluses avec le produit. Les pièces identifiées ci-dessous sont ou peuvent être requises pour terminer l'installation. Toujours utiliser de nouveaux composants - ne jamais utiliser une ancienne pièce pour l'installation d'une nouvelle gamme.



14-50P GETWIREDUSA FX359  
(ne s'applique pas aux produits vendus au Canada- ceux-ci sont fournis avec un cordon d'alimentation)



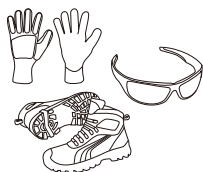
Réducteur de tension pour cordon d'alimentation (fourni avec le kit de cordon)



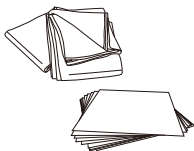
Dispositif d'ancrage pour manchon de 5/16 po de diamètre extérieur (avec boulon 1/4 po) 2 pièces (pour sols en béton seulement)

## Outils requis :

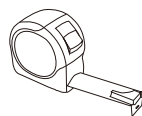
Pour terminer l'installation, disposer des outils suivants à portée de main :



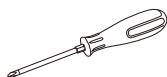
Gants résistants aux coupures, lunettes ou lunettes de sécurité et chaussures à embout d'acier (pour votre sécurité et votre protection).



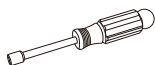
Nappe ou carton (facultatif - pour protéger le sol)



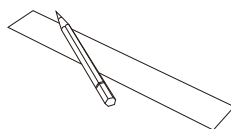
Ruban à mesurer (pour confirmer l'espace d'installation)



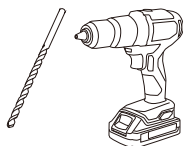
Tournevis cruciforme (pour accéder aux capots utilisables)



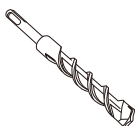
Tourne-écrou (pour connexion électrique)



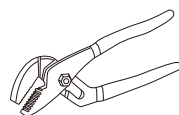
Crayon et règle (pour l'installation de la console anti-basculement)



Foret et trépan 1/8 po (pour l'installation de la console anti-basculement)



Trépan à maçonnerie (pour l'installation de la console anti-basculement - sols en béton seulement)



Pince à joint ou à col de cygne réglable (pour la mise à niveau du produit)



Niveau  
Niveau (pour le produit de nivellement)

# INSTALLATION DU PRODUIT

## Enlever l'ancien appareil

### AVERTISSEMENT

#### RISQUE D'INCENDIE ET D'EXPLOSION

- L'installation et la maintenance doivent être effectuées par un installateur ou un organisme de maintenance qualifié.

### MISE EN GARDE

#### LACÉRATION, CORPS ÉTRANGER, RISQUE D'ÉCRASEMENT

- Au moment de l'installation, du déplacement ou de l'entretien d'un appareil, porter un équipement de protection approprié, y compris des gants résistants aux coupures, des chaussures à embout d'acier et des lunettes de sécurité.

Si la nouvelle gamme remplace une installation existante, enlever d'abord l'ancien appareil.

#### Instructions :

- Couper l'alimentation électrique de la gamme au niveau de la boîte à disjoncteurs ou de la boîte à fusibles. La laisser jusqu'à ce que l'installation soit terminée.
- Déplacer l'appareil pour accéder aux branchements électriques.
- Débrancher les connexions électriques et déplacer l'appareil hors et loin de l'espace d'installation.

## Exigences en matière d'installation électrique

### AVERTISSEMENT

#### RISQUE D'ÉLECTROCUTION

- L'installation doit être mise à la terre électriquement conformément aux codes locaux ou, en l'absence de codes locaux, au Code national de l'électricité, NFPA 70 ou au Code canadien de l'électricité, CSA C22.1-02.

#### Dimensions et espacements :

### IMPORTANT

#### POUR ÉVITER D'ENDOMMAGER LES ARMOIRES

- Cette gamme a été conçue pour respecter la température maximale admissible de l'armoire en bois de 194 °F (90 °C). S'assurer que les revêtements muraux, les plans de travail, les armoires et tout autre matériau en contact avec la gamme sont évalués à un minimum de 194 °F (90 °C). Si ce n'est pas le cas, il peut y avoir décoloration, délaminage ou fusion.

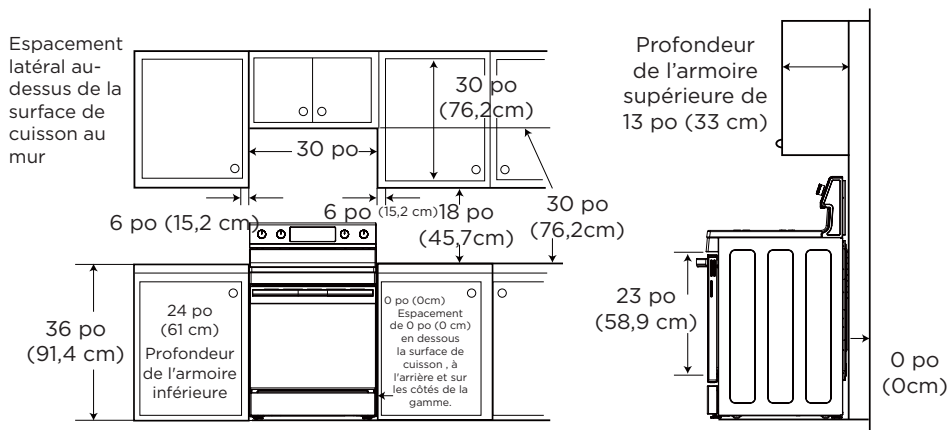
Avant de commencer le processus d'installation, vérifier que l'espace d'installation respecte les dimensions et les espaces suivants. Ne pas placer la gamme là où elle peut être sujette à de forts courants d'air - sceller toutes les ouvertures dans le mur, le sol ou les armoires dans l'espace d'installation. Prévoir des espaces adéquats entre la gamme et les surfaces combustibles adjacentes. Ces dimensions doivent être respectées pour une utilisation sûre de la gamme. Les dimensions indiquées fournissent l'espacement minimal. La surface de contact doit être solide et plane.

L'espace minimum est de 0 po à l'arrière de la gamme. Respecter toutes les exigences en matière de dimensions pour éviter les dommages matériels, les risques d'incendie et les coupures incorrectes du comptoir et de l'armoire.

Les surfaces du comptoir immédiatement autour de l'espace d'installation doivent être plates et mises à niveau pour une installation correcte.

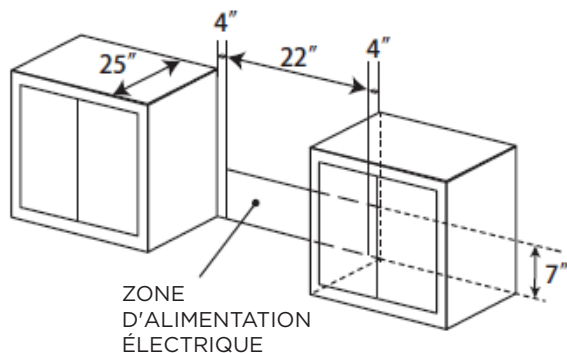
Lorsque le revêtement de sol (plancher de bois franc, carrelage, moquette, etc.) se termine à l'avant de la gamme, la zone sur laquelle la gamme sera installée doit être construite avec du contreplaqué au même niveau ou plus haut que le revêtement de sol. Cela permettra à la gamme d'être déplacée pour le nettoyage et l'entretien, ainsi que de fournir un flux d'air approprié à la gamme.

S'assurer que le matériau de revêtement de sol peut résister à des températures d'au moins 167 °F (75 °C). S'assurer que les revêtements muraux, les comptoirs, les armoires et tout autre matériau en contact avec la gamme peuvent résister à la chaleur générée jusqu'à 194 °F (90 °C) par la gamme.



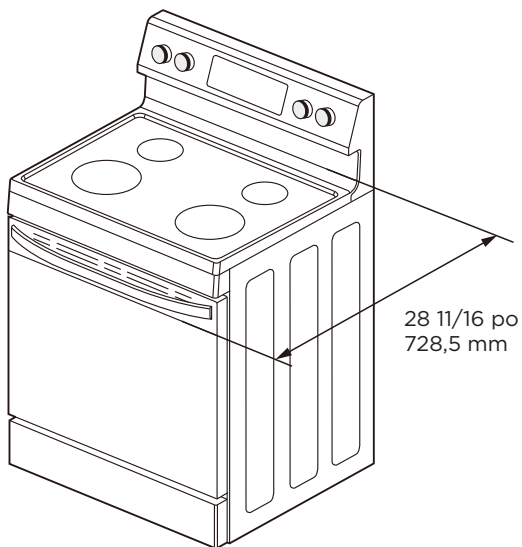
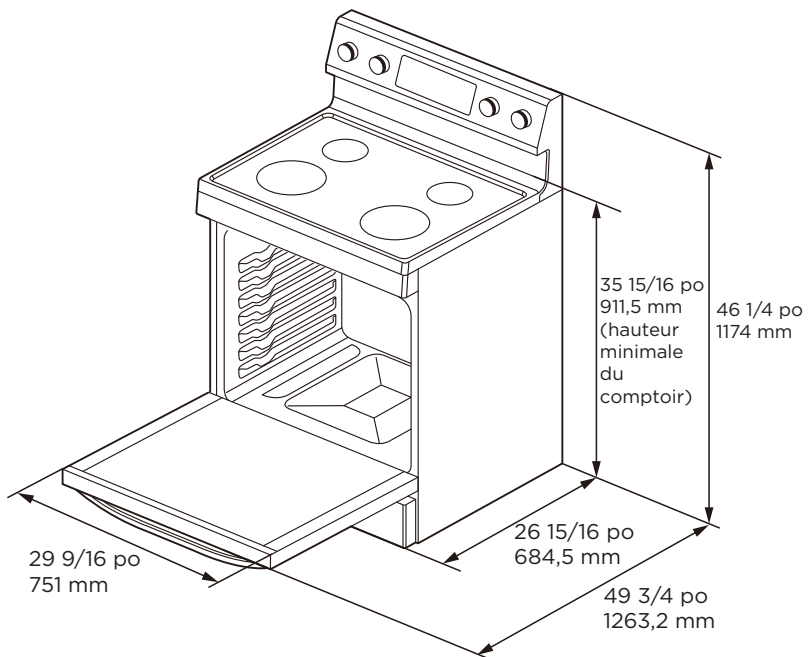


## DÉCOUPE AUTOSTABLE

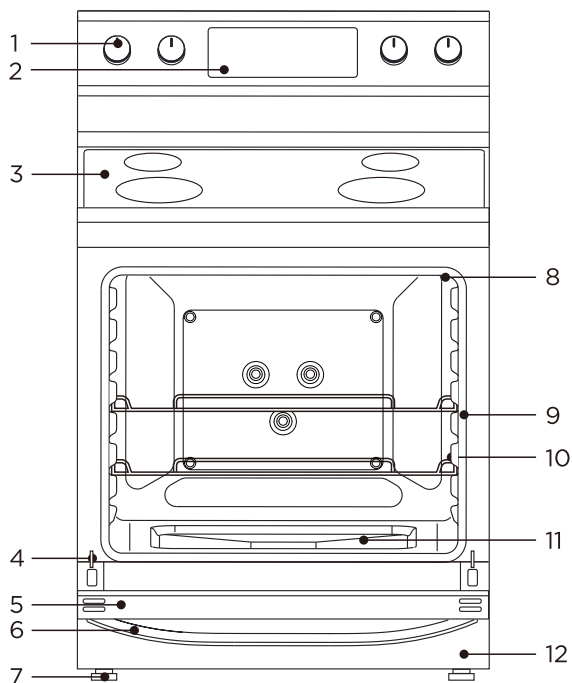


### Spécifications du produit

Description	Four électrique autostable	
Tension	120/208 V AC 40 Amp	120/240 V AC 50 Amp
Puissance électrique	7240 W	9640 W
Dimensions extérieures	46 <sup>1</sup> / <sub>4</sub> H x 29 <sup>7</sup> / <sub>8</sub> L x 26 <sup>15</sup> / <sub>16</sub> P	
Hauteur à la surface de cuisson	en 36 po (91,4 cm)	
Poids net	78kg (172 lbs)	
Capacité du four	6,3 pi <sup>3</sup>	
Puissances des capacités nominales	Se reporter à l'étiquette de la plaque signalétique	



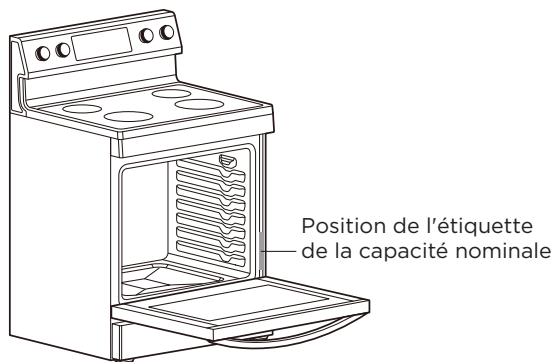
## Aperçu de la gamme



- |  |                            |                          |
|--|----------------------------|--------------------------|
| 1. Bouton de la surface de cuisson     | 6. Poignée de la porte     | 11. Fond du four         |
| 2. Panneau de Contrôle                 | 7. Pieds réglables         | 12. Tiroir d'entreposage |
| 3. Surface de verre en céramique       | 8. Ampoule du four         |                          |
| 4. Charnière de porte (de chaque côté) | 9. Joint de porte          |                          |
| 5. Porte                               | 10. Positions de l'étagère |                          |

## Emplacement de l'étiquette de la plaque signalétique

L'étiquette de la plaque signalétique contient les renseignements sur la capacité nominale, de classification et d'identification de l'appareil. Le modèle et le numéro de série de l'étiquette de la plaque signalétique sont nécessaires pour enregistrer le produit, commander des pièces de rechange ou communiquer avec le service clientèle. L'étiquette de la plaque signalétique est située dans le cadre avant de la cavité sur le panneau latéral gauche ou droit.



## Procédure d'installation

### Retrait de l'emballage :

#### **▲ IMPORTANT**

#### **POUR ÉVITER D'ENDOMMAGER L'APPAREIL**

- Le fait de ne pas retirer les matériaux d'emballage pourrait endommager l'appareil.

Retirer tout le ruban adhésif et les matériaux d'emballage. Vérifier la présence de film sur les pièces en acier inoxydable, de rembourrage/espaceurs sur , autour de la porte , de la face du four, de carton , de plastique sur et autour des étagères, du tiroir d'entreposage intérieur, etc. Ne pas utiliser d'instruments tranchants, d'alcool à friction, de liquides inflammables ou de nettoyants abrasifs pour enlever le ruban adhésif ou la colle. Ces produits peuvent endommager la surface de votre gamme.

Inventorier toutes les pièces détachées par rapport à la liste « Pièces fournies ».

Vérifier les dommages causés par l'expédition et/ou les pièces manquantes. Tout dommage et/ou pièce manquante doit être signalé à votre revendeur local.

Pour réduire le poids de la gamme lors du déplacement, du réglage et de l'installation, laisser les autres accessoires sur le côté jusqu'à ce qu'ils soient prêts à être installés plus tard dans ces instructions.

## Retrait et réinstallation de la porte :

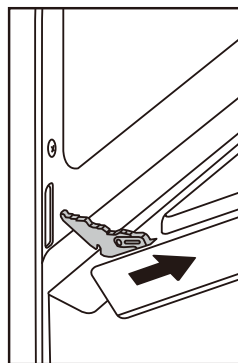
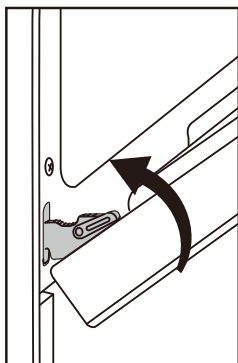
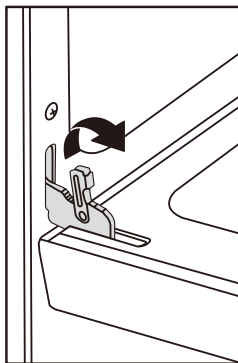
### **⚠ AVERTISSEMENT** **RISQUE D'INCENDIE**

- Si la porte est retirée, confirmer que la porte fonctionne correctement et se scelle correctement lors de sa réinstallation. Si le joint de porte n'est pas complètement étanche, la chaleur s'échappant des portes environnantes pourrait enflammer les armoires.

Lors de l'installation, de l'entretien et de la mise à niveau, il peut être plus facile d'effectuer les travaux nécessaires si la porte du four est retirée. Cela rend l'appareil plus léger et l'accès à la cavité du four plus facile. Suivre les instructions ci-dessous pour retirer et réinstaller la porte.

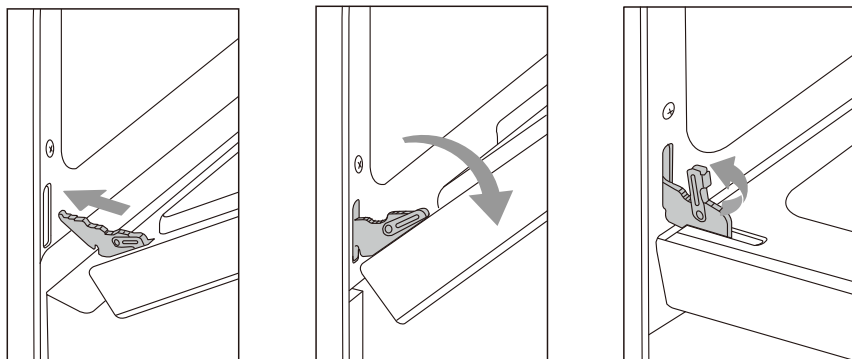
La porte peut être retirée pour faciliter le nettoyage, l'entretien ou l'installation :

1. Ouvrir la porte complètement.
2. Sur chaque charnière de porte, faire basculer le mécanisme de verrouillage de sorte qu'il s'engage avec la porte lorsque celle-ci est tournée vers la fermeture.
3. Une fois que les deux mécanismes de verrouillage sont enclenchés, continuer à tourner jusqu'à ~2-3 pouces après avoir été complètement fermé.
4. Saisir fermement la porte par les côtés et soulever celle-ci vers le haut et vers l'extérieur de la face du four. Ne pas soulever la porte par la poignée de porte pour réduire le risque de bris de vitre de porte.



## Réinstallation de la porte :

1. En tenant la porte par les côtés, aligner la porte de manière à ce que les charnières se glissent dans les ouvertures.
2. Tourner la porte jusqu'à -2-3 pouces d'être complètement fermée, laisser la porte entrer dans les encoches sur les charnières.
3. Faire pivoter la porte jusqu'à ce qu'elle soit complètement ouverte.
4. Retourner le mécanisme de verrouillage de la charnière vers le haut et à l'écart de la porte.
5. Vérifier que la porte s'ouvre et se ferme correctement.
6. Si la porte ne fonctionne pas correctement, réenclencher les mécanismes de verrouillage, retirer la porte et tenter à nouveau l'installation.



## Retrait et réinstallation du tiroir

Pendant l'installation, de l'entretien et de la mise à niveau, il peut être plus facile d'effectuer les travaux nécessaires si le tiroir est retiré. Cela rend l'appareil plus léger et la visibilité de la console anti-basculement est améliorée.

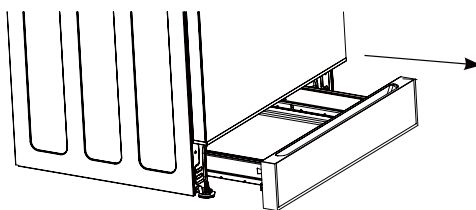
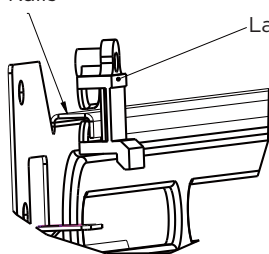
Suivre les instructions ci-dessous pour retirer et réinstaller le tiroir.

Pour retirer le tiroir, étendre complètement le tiroir jusqu'à ce qu'il ne puisse plus être retiré et soulever le panneau du tiroir, puis tirer le tiroir.

Pour réinstaller le tiroir, aligner les rails du tiroir avec les glissières de la gamme et pousser le tiroir. Ouvrir et fermer le tiroir pour vous assurer que les glissières fonctionnent correctement.

Rails

La console en plastique sur la boîte à tiroirs



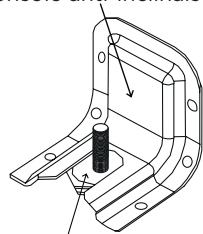
## Installation de la console anti-basculement

### **⚠ AVERTISSEMENT** **RISQUE DE BASCULEMENT**

- Un enfant ou un adulte peut faire basculer la gamme et être tué. Vérifier que la console anti-basculement a été correctement installée et engagé conformément aux instructions d'installation. S'assurer que la console anti-basculement est réengagée lorsque la gamme est déplacée.
- Ne pas utiliser la gamme sans que la console anti-basculement soit en place et engagée. Ne pas le faire peut entraîner la mort ou de graves brûlures chez les enfants ou les adultes. Ne pas retirer les jambes de mise à niveau. Le faire empêchera la gamme d'être sécurisée par la console anti-basculement.



Console anti-inclinaison



Pieds de nivellement

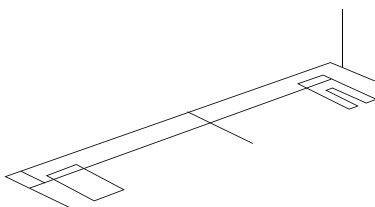
Pour réduire le risque de basculement de la gamme, la gamme doit être fixée au sol au moyen de la console anti-basculement correctement installée et des vis emballées avec la gamme. Le fait de ne pas installer la console anti-basculement permettra à la gamme de basculer si un poids excessif est placé sur une porte ouverte ou si l'enfant y grimpe. Des blessures graves peuvent résulter de liquides chauds renversés ou de la gamme elle-même.

Le kit anti-basculement est fourni avec la gamme. Si la console anti-basculement est manquant, endommagé ou doit être remplacé, un kit de remplacement sera fourni gratuitement en communiquant avec le service après-vente de Midea au **1-866-646-4332** ou en visitant **midea.com/us/support**.

Si la gamme est déplacée vers un autre emplacement, les consoles anti-basculement doivent également être déplacés et installés avec la gamme. Si la gamme est mise hors service, sécuriser la porte fermée ou retirer la porte pour minimiser le risque de basculement. (Voir la section « Retrait et réinstallation de la porte » dans ce manuel ou sous « Nettoyage et entretien » dans le manuel de l'utilisateur pour obtenir des instructions sur la façon de retirer la porte.)

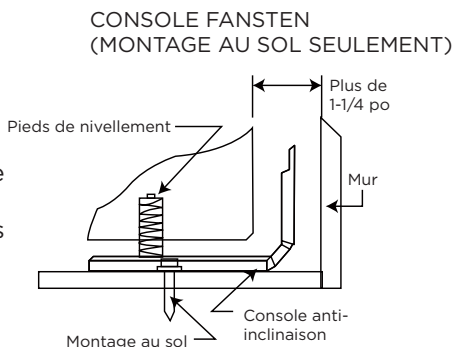
Instructions :

- À l'aide du gabarit fourni avec le kit anti-basculement, localiser l'emplacement préféré pour l'installation de la console anti-basculement et marquer l'emplacement des trous de vis. La console peut être installée dans le coin arrière gauche ou arrière droit de l'espace d'installation. Une seule console anti-basculement doit être installée.



- Fixer la console anti-basculement au sol ou au mur.

- Installation de la construction en bois : Percez un avant-trous de 1/8 po à l'endroit où les vis doivent être insérées. Si la console doit être montée sur le mur, percer le trou pilote à un angle d'environ 20° vers le bas. La vis doit entrer dans le bois.
- Installation de la construction en maçonnerie : En raison de la diversité des matériaux de maçonnerie qui peuvent être présents sur le site d'installation, aucun matériel n'est fourni pour fixer le support anti-basculement à la maçonnerie. Si la console doit être montée sur des planchers en maçonnerie ou en céramique, fixer la console anti-basculement à l'aide de deux ancrages à manchon de diamètre extérieur de 5/16 po (avec boulon de 1/4 po - tête à boulon hexagonal ou tête à écrou hexagonal) d'une tension minimale de 300lb pour le matériau de maçonnerie présent sur le site d'installation.



## Raccordement de l'alimentation électrique

### **⚠ AVERTISSEMENT** **RISQUE D'ÉLECTROCUTION**

- L'installation doit être mise à la terre électriquement conformément aux codes locaux ou, en l'absence de codes locaux, au Code national de l'électricité, NFPA 70 ou au Code canadien de l'électricité, CSA C22.1-O2.
- Ne pas utiliser de rallonge ou d'adaptateur.
- Le cordon d'alimentation et la fiche ne doivent pas être modifiés. S'il ne convient pas à la prise, faites installer une prise appropriée par un électricien qualifié.
- Retirer le fusible de la maison ou ouvrir le disjoncteur avant de commencer l'installation.
- À compter du 1er janvier 1996, le Code national de l'électricité exige que les nouvelles constructions (non existantes) utilisent un branchement à 4 conducteurs à une gamme électrique.
- S'assurer que votre appareil est correctement installé et mis à la terre en confiant l'installation à un prestataire de service qualifié.

Cet appareil doit être alimenté avec la tension et la fréquence appropriées et doit être connecté à un circuit de dérivation individuel correctement mis à la terre, protégé par un disjoncteur ou un fusible dont l'intensité est spécifiée sur la plaque signalétique. La plaque signalétique se trouve au-dessus du tiroir sur



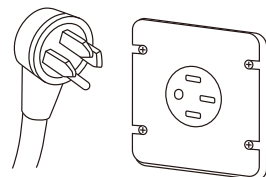
le cadre du four. Après l'installation, indiquer au résident/propriétaire où se trouve le sectionneur électrique de la gamme principale et comment la faire fonctionner.

Un système électrique à 3 ou 4 fils, à phase auxiliaire 208/120 VAC ou 240/120 VAC, 60 Hz doit être utilisé.

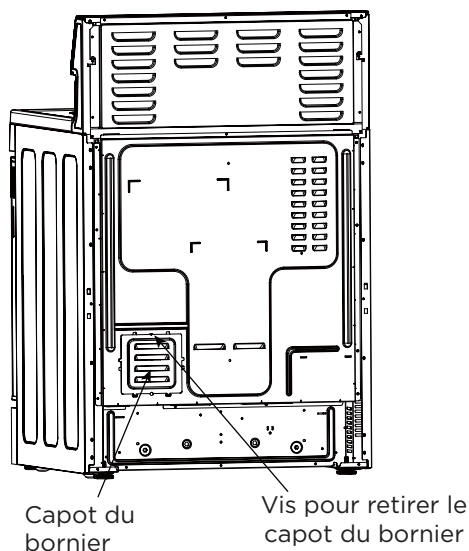
Si le service électrique fourni ne répond pas aux spécifications ci-dessus, demander à un électricien agréé d'installer une prise de courant approuvée.

Utiliser seulement un cordon à 3 conducteurs ou un cordon à 4 conducteurs homologué UL d'une capacité nominale de 40 A ou 50 A. Ces cordons peuvent être fournis avec un anneau serti ou des bornes de fourches sur le fil. Un réducteur de tension doit être utilisé lors de la fixation du cordon à la gamme. Étant donné que les bornes de la gamme ne sont pas accessibles une fois que la gamme est en place, un conduit ou un cordon de service flexible doit être utilisé. Laisser 2 à 3 pieds de mou dans la ligne afin que la gamme puisse être déplacée si un entretien est nécessaire.

Pour les installations canadiennes, brancher simplement le cordon d'alimentation connecté à la prise résidentielle. La prise doit être correctement mise à la terre et conforme au Code canadien de l'électricité (norme CSA C22.1, partie 1) et à toutes les exigences du code électrique local.

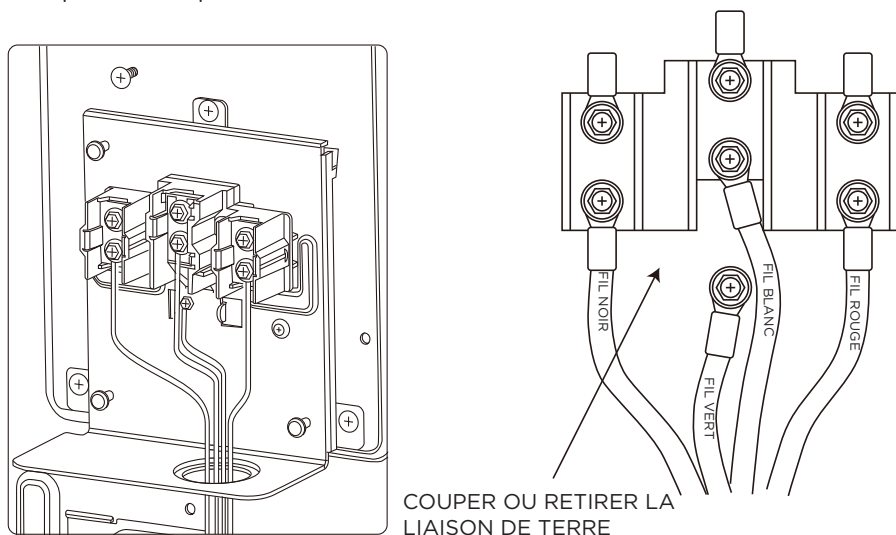


Accéder au bornier électrique de la gamme en retirant la vis fixant le capot d'accès arrière à l'arrière de la gamme.



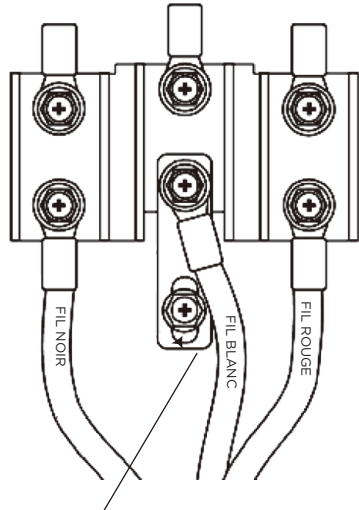
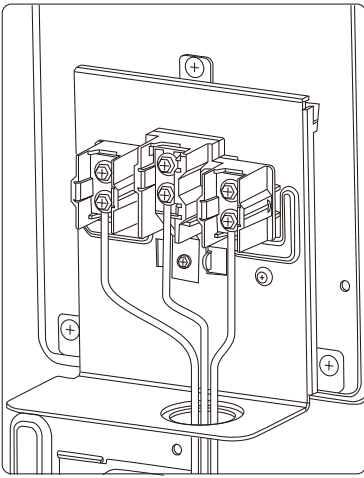
## Instructions du cordon d'alimentation à 4 broches

- Enfiler le cordon d'alimentation et les fils à travers l'ouverture sous le bornier.
- Fixer le cordon en fixant le réducteur de tension sur la gaine d'isolation du cordon. (Le réducteur de tension doit être placé sur le « corps » du cordon et non sur les « fils ».) Placer le réducteur de tension de telle sorte que les fils aient suffisamment de mou pour se connecter au bornier sans aucune contrainte ni tension.
- Retirer les 3 vis du côté alimentation du bornier.
- Retirer la liaison de terre en cuivre reliant le branchement neutre sur le bornier à la terre du châssis.
- Fixer les fils du cordon d'alimentation au bornier et au châssis comme indiqué :
- Replacer le capot d'accès une fois terminé.



## Instructions du cordon d'alimentation à 3 broches

- Enfiler le cordon d'alimentation et les fils à travers l'ouverture sous le bornier.
- Fixer le cordon en fixant le réducteur de tension sur la gaine d'isolation du cordon. (Le réducteur de tension doit être placé sur le « corps » du cordon et non sur les « fils ».) Placer le réducteur de tension de telle sorte que les fils aient suffisamment de mou pour se connecter au bornier sans aucune contrainte ni tension.
- Retirer les 3 vis du côté alimentation du bornier. Enlever
- la liaison de terre en cuivre reliant le branchement neutre sur le bornier à la masse du châssis.
- Fixer les fils du cordon d'alimentation au bornier et au châssis comme indiqué :
- Replacer le capot d'accès une fois terminé.



VIS DE MISE À LA TERRE

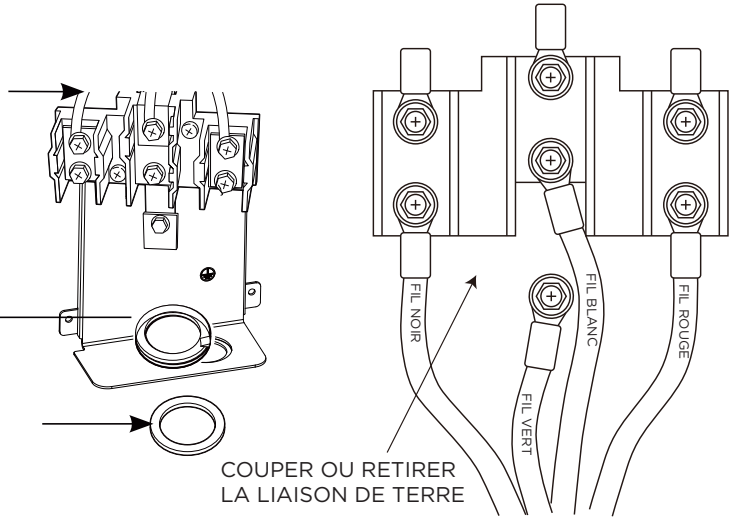
**Instructions sur les conduits**

- Faire tomber l'anneau d'élimination dans la console pour changer la dimension du trou.
- Insérer le réducteur de tension du conduit dans l'ouverture située sous le bornier.
- Serrer l'écrou pour maintenir le réducteur de tension du conduit en place.
- Enfiler les fils du conduit à travers l'ouverture et le réducteur de tension.
- Serrer les vis du réducteur de tension pour fixer le conduit en place. Placer le conduit dans le réducteur de tension de sorte que les fils aient suffisamment de mou pour se brancher au bornier sans aucune contrainte ni tension.
- Retirer les 3 vis du côté alimentation du bornier. Fixer les fils du conduit au bornier et au châssis comme indiqué : Replacer le capot d'accès une fois terminé.

Bornier  
(l'apparence  
peut varier)

Anneau  
d'élimination  
dans la  
console

Anneau  
d'élimination  
retiré



COUPER OU RETIRER LA LIAISON DE TERRE

## Placement et mise à niveau

### **⚠ MISE EN GARDE**

#### **LACÉRATION, CORPS ÉTRANGER, RISQUE D'ÉCRASEMENT**

- Au moment de l'installation, du déplacement ou de l'entretien d'un appareil, porter un équipement de protection approprié, y compris des gants résistants aux coupures, des chaussures à embout d'acier et des lunettes de sécurité.

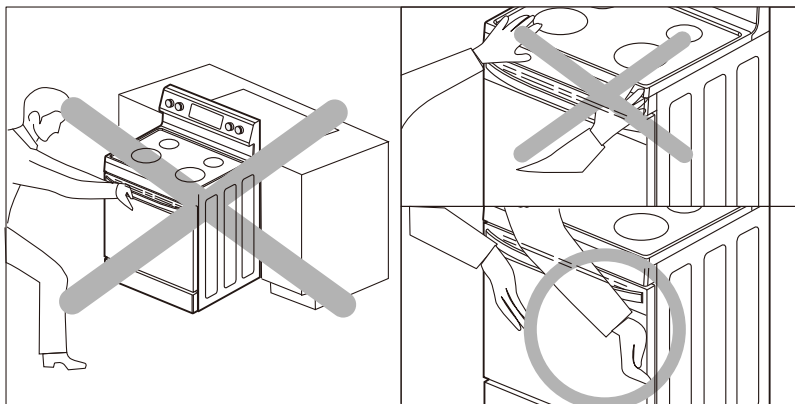
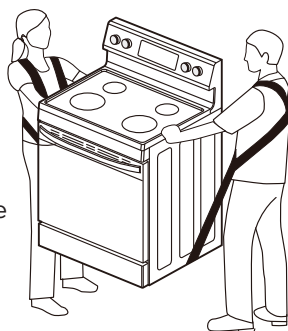
### **⚠ IMPORTANT**

#### **POUR PRÉVENIR LES DOMMAGES**

- Ne pas déplacer l'unité en poussant ou en tirant sur la porte ou sur le panneau de commande.
- Ne pas soulever par les bords de la surface de cuisson. Pousser, tirer ou soulever seulement sur le corps ou les zones structurales, telles que le four, la face du four ou les coins arrière de la gamme. Déplacer la portée en la soulevant, et non en la faisant glisser, pour éviter d'endommager les planchers.
- Utiliser du carton, du contreplaqué ou du plastique rigide pour protéger les sols si un glissement est nécessaire.

L'installation de l'unité dans l'espace et le niveau d'installation peut nécessiter plusieurs tentatives. Il est recommandé de mesurer et d'ajuster soigneusement les pieds de nivellement avant de les placer dans l'espace d'installation, car ceux-ci peuvent être difficiles à ajuster une fois que la cuisinière est dans sa position finale.

Toutes les gammes sont lourdes - faire glisser la gamme peut endommager le sol. Faire attention lorsque vous déplacez la gamme. Utiliser une courroie lorsque vous déplacez la gamme pour éviter d'endommager le sol, ou utiliser du carton, du contreplaqué ou du plastique rigide pour éviter d'endommager le sol lorsque vous faites glisser la gamme.



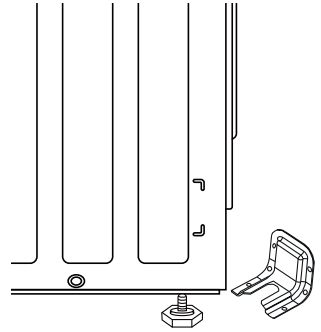
## MISE EN GARDE

Veiller ne PAS pousser fortement l'unité lors de l'installation. Ces actions peuvent endommager l'unité.

Veiller NE PAS saisir le dessus de la surface de cuisson et pousser lorsque vous l'installez. (Saisissez la zone de la porte G/D pour pousser l'unité)

### Instructions :

- Utiliser un ruban à mesurer pour mesurer du sol vers le haut du comptoir aux quatre coins de l'espace d'installation.
- Pendant que la gamme est toujours positionnée à l'extérieur de l'espace d'installation, ajuster la jambe de mise à niveau à chaque coin de sorte que la distance entre le sol et le dessous du bord de la surface de cuisson corresponde aux dimensions mesurées dans l'espace d'installation.
- À l'aide de deux personnes, déplacer la gamme jusqu'à son emplacement d'installation final, en veillant à ne pas endommager les comptoirs, le sol ou l'appareil.
  - **IMPORTANT** : Ne pas déplacer l'unité en poussant ou en tirant sur la porte ou sur le panneau de commande. Pousser, tirer ou soulever seulement sur le corps ou les zones structurales, telles que le four, la face du four ou les coins arrière de la gamme.
  - Veiller à ne pas pincer ou plier les branchements de gaz ou électriques. Si l'unité ne se déplace pas en douceur, vérifier s'il y a des obstructions. Ne pas essayer de forcer l'unité en position.
- Vérifier que la conduite d'alimentation en gaz n'est pas endommagée.
- Vérifier que la jambe arrière de la gamme s'est correctement engagée dans la console anti-basculement. Si l'inspection visuelle n'est pas possible :
  - Faire glisser la gamme vers l'avant
  - Confirmer que la console anti-basculement est solidement fixée au sol ou au mur en position correcte conformément aux instructions d'installation.
  - Faire glisser complètement la gamme contre le mur de sorte que la jambe de mise à niveau s'engage avec la console anti-basculement.
- Pour vous assurer que les produits de boulangerie, tels que les pains et les gâteaux, sortent uniformément et sont mis à niveau, confirmer que la gamme est mise à niveau en la plaçant sur Vérifier le niveau de l'avant vers l'arrière et d'un côté vers l'autre. Utiliser des pinces réglables pour ajuster les jambes de mise à niveau si nécessaire pour mettre la gamme à niveau.
- Réinstaller la porte, le tiroir et les étagères de four.



## Fonctionnement de la surface de cuisson

Vérifier le fonctionnement de tous les éléments de chauffage de la surface de cuisson une fois la gamme complètement installée, assemblée et les branchements électriques terminés.

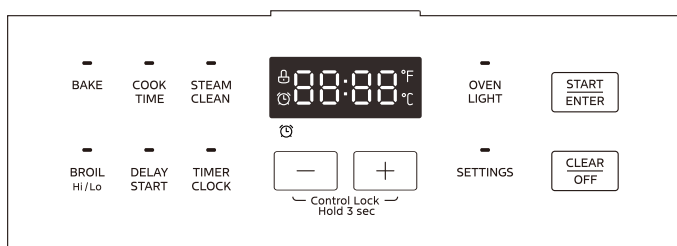
Instructions :

Pour chaque brûleur, un à la fois, tourner le bouton sur la position « HAUT », confirmer que l'élément commence à briller et à chauffer.

Vérifier que le voyant de la surface chaude s'allume correctement.

## Fonctionnement du four

Vérifier le fonctionnement des éléments de cuisson au four et de gril une fois que la gamme a été complètement installée, assemblée et que les branchements électriques ont été terminés.



Instructions :

- S'assurer que la porte est fermée, que tous les emballages sont retirés et que le four est vide, à l'exception des étagères du four.
- Appuyer sur le bouton BAKE de la commande du four - la commande sera réglée par défaut sur 350 °F.
- Régler la température sur 170 °F.
- Appuyer sur le bouton «START/ENTER» de la commande du four.

- Écouter les relais sur la commande électronique pour « cliquer ».
- Sans toucher le fond du four, après quelques minutes, confirmer que la chaleur irradie à partir du fond du four.
- Autoriser le mode CUISSON jusqu'à ce que l'unité soit préchauffée à 170 °F. Confirmer que l'écran affiche « PRÉ » et que les signaux de préchauffage lorsque la température est atteinte.
- Appuyer sur la touche «CLEAR/OFF» pour arrêter le mode cuisson.
- Appuyer sur le bouton «BROIL» de la commande du four.
- Appuyer sur le bouton «START/ENTER» de la commande du four.
- Sans toucher l'élément de gril, après quelques minutes, confirmer que la chaleur peut irradier de l'élément de gril. Après plusieurs minutes, l'élément de gril est visible à l'œil nu et commence à s'allumer en rouge.
- Appuyer sur le bouton «CLEAR/OFF» pour arrêter le mode gril.
- Si quelque chose ne fonctionne pas correctement, faire enquêter l'opération par un prestataire de services qualifié

### **Liste de contrôle finale de l'installation :**

Le processus d'installation est terminé. Comme vérification finale pour confirmer que toutes les étapes ont été effectuées avec succès, l'installateur doit consulter la liste de contrôle suivante et cocher chaque élément indiquant que le travail a été effectué conformément à ces instructions :

- L'espace d'installation a été confirmé pour répondre aux exigences d'espacement et de dimensions, y compris que le flux d'air n'est pas obstrué à l'avant de l'unité.
- La console anti-basculement a été correctement installée et il a été confirmé que la jambe de mise à niveau de la gamme s'engage correctement avec la console anti-basculement.
- L'alimentation électrique a été correctement branchée à la gamme, conformément à tous les codes et réglementations en vigueur.
- La conversion pour les installations de gaz BP et de haute altitude a été achevée, si nécessaire.
- Le fonctionnement et les commandes du four ont été vérifiés afin de fonctionner correctement.
- La porte et le tiroir du four ont été installés correctement et fonctionnent correctement. La porte du four se ferme complètement.
- Toutes les instructions, y compris ce manuel, les instructions de conversion et les instructions relatives à la console anti-basculement, ont été laissées au propriétaire/résident, avec des instructions à conserver pour consultation future.

# DÉPANNAGE

Lire avant d'appeler au service

Midea s'engage à vous fournir un appareil de qualité qui fonctionne comme prévu. Si vous trouvez quelque chose qui ne fonctionne pas comme prévu, consulter le tableau ci-dessous pour obtenir des conseils utiles et des conseils qui pourraient vous faire économiser du temps et des dépenses en appelant pour un service.

## Surface de cuisson

Problème	Cause possible
Incapable de maintenir une ébullition tournante ou ne cuit pas assez vite.	<ul style="list-style-type: none"><li>• Batterie de cuisine incorrecte - Utiliser seulement des casseroles à fond plat et qui correspondent au diamètre de l'élément chauffant de la surface de cuisson sélectionnée.</li><li>• Les grandes casseroles et poêles peuvent perdre beaucoup de chaleur au niveau de la partie supérieure - couvrir la casserole avec un couvercle pour mieux retenir la chaleur.</li></ul>
La surface de cuisson ne fonctionnera pas.	<ul style="list-style-type: none"><li>• Si l'affichage du panneau de commande n'est pas allumé, il se peut que l'appareil ne reçoive pas d'alimentation - vérifier que le disjoncteur ou le fusible ne s'est pas déclenché et que le cordon est correctement branché.</li></ul>
L'élément chauffant de la surface de cuisson ne brille pas régulièrement.	<ul style="list-style-type: none"><li>• Ceci est normal - l'élément chauffant de la surface de cuisson s'éteint/s'allume pour maintenir le niveau de puissance sélectionné au niveau du bouton. Ceci est normal même sur le réglage le plus élevé.</li></ul>
L'élément chauffant de la surface de cuisson ne brille pas lorsque le niveau de puissance est réduit.	<ul style="list-style-type: none"><li>• C'est normal - l'élément chauffant de la surface de cuisson recommence à tourner une fois que l'élément chauffant a légèrement refroidi.</li></ul>



## Surface de cuisson

Problème	Cause possible
Le verre de la surface de cuisson est rayé.	<ul style="list-style-type: none"><li>• Méthode de nettoyage incorrecte utilisée - les rayures ne peuvent pas être enlevées, mais d'autres rayures peuvent être évitées en suivant les instructions de nettoyage de ce manuel.</li><li>• Des batteries de cuisine à fond rugueux ont été utilisées ou des batteries de cuisine ont été glissées sur la surface de cuisson - les rayures ne peuvent pas être enlevées, mais d'autres rayures peuvent être évitées en veillant à ce que les batteries de cuisine soient à fond plat, lisses, propres et ne glissent pas sur la surface de cuisson.</li></ul>
La surface de cuisson est décolorée.	<ul style="list-style-type: none"><li>• La surface de cuisson n'est pas nettoyée à fond - voir la section dans ce manuel sur l'entretien et le nettoyage de la surface de cuisson.</li></ul>
La surface de cuisson est dénoyautée.	<ul style="list-style-type: none"><li>• Un déversement de sucre s'est produit sur du verre chaud - cela ne peut pas être réparé. Le service doit être appelé pour remplacer le verre de la surface de cuisson.</li></ul>

## Four

Problème	Cause possible
Forte odeur « brûlante » ou « huileuse » lors de l'utilisation d'un nouveau four.	<ul style="list-style-type: none"><li>• Ceci est normal avec une nouvelle gamme et disparaîtra après quelques utilisations. Néanmoins, pour être prudent, vous devez vérifier que tous les emballages ont été retirés de l'appareil - vérifier autour des côtés de la porte et à l'intérieur du tiroir.</li></ul>
La commande est sombre et ne répond pas	<ul style="list-style-type: none"><li>• Si le panneau de commande affiche uniquement « ] » ou « ] [« , la commande est en mode Sabbat. Se reporter à cette section pour savoir comment utiliser la commande et comment quitter le mode Sabbat.</li></ul>
La commande est allumée mais ne répond pas	<ul style="list-style-type: none"><li>• Vérifier que le « VERROUILLAGE DES COMMANDES » n'a pas été activé.</li></ul>

## Four

Problème	Cause possible
La nourriture ne cuit pas uniformément - le haut se cuit plus vite/plus lentement que le bas.	<ul style="list-style-type: none"><li>• S'assurer d'utiliser les paramètres d'étagères recommandés. Voir « Positions des étagères » au début de la section « Fonctionnement du four ».</li><li>• La recette peut donner de meilleurs résultats à différentes positions de l'étagère. Déplacer les aliments vers le bas d'une position de l'étagère rendra le fond plus sombre et le haut plus éclairé. Le déplacement des aliments vers le haut d'une position de l'étagère rendra le bas plus clair et le haut plus sombre.</li></ul>
L'ampoule du four ne fonctionne pas	<ul style="list-style-type: none"><li>• L'ampoule du four peut être grillée. Suivre les instructions au niveau « Nettoyage et entretien » du manuel l'utilisateur.</li></ul>
De la fumée ou de la vapeur provient des ouvertures à l'arrière de la surface de cuisson.	<ul style="list-style-type: none"><li>• Il est normal que la vapeur soit libérée de l'évent du four à l'arrière de la surface de cuisson. Si l'échappement n'a pas d'odeur (ou une odeur de cuisson normale), ne vous inquiétez pas.</li><li>• Si l'échappement contient une odeur de combustion des aliments, vérifier que les aliments ne brûlent pas et qu'il n'y a pas de déversement ou d'éclaboussures dans le four qui pourraient produire de la fumée.</li><li>• Si l'échappement contient une odeur renvoyant à quelque chose qui brûlait (plastique, bois, etc.), éteindre le four et s'assurer que le four a arrêté de fumer. Communiquer avec un prestataire de services qualifié pour les réparations.</li></ul>
« E » et un numéro apparaît à l'écran	<ul style="list-style-type: none"><li>• Il s'agit d'un code d'erreur. Appuyer sur « CLEAR/ OFF » pour effacer l'écran et arrêter les signaux sonores. Si nécessaire, réinitialiser l'alimentation du four en activant et désactivant le disjoncteur. Si le code d'erreur persiste ou se répète, écrire le code d'erreur et communiquer avec un prestataire de services qualifié pour les réparations.</li></ul>

# GARANTIE LIMITÉE DE 2 ANS

Cette garantie est fournie à l'acheteur initial au détail (l'« Acheteur » ou « vous ») par Midea America Corp. (« Midea » ou « nous »), qui offre une garantie à toutes les parties de ce produit, comme décrit ci-dessous. Midea offre une garantie à l'Acheteur de ce Produit pour un usage personnel, familial ou domestique. Cette garantie couvre les problèmes de performance et de qualité des matériaux et de la fabrication qui apparaissent dans des conditions normales d'utilisation et d'entretien dans les deux ans suivant la date d'achat. Cette garantie vous donne des droits spécifiques, et vous pouvez également avoir d'autres droits qui varient d'un état à l'autre.

## LIMITATIONS DE GARANTIE

Cette garantie est offerte uniquement à l'acheteur initial au détail aux États-Unis ou au Canada et ne peut être transférée à un acheteur ultérieur. Cette garantie ne s'applique pas aux acheteurs de nos produits pour une utilisation ou revente dans une entreprise ; une garantie commerciale distincte peut protéger ces acheteurs.

Cette garantie ne couvre pas les défaillances du produit causées par :

- a. un abus, un dommage ou une utilisation du produit en violation des instructions du produit ;
- b. une modification de l'ensemble du produit ou d'une pièce ;
- c. un défaut d'entretien du produit ou de la pièce tel que décrit dans les instructions du produit ;
- d. une installation ou utilisation inappropriée ;
- e. une utilisation de pièces ou d'accessoires non compatibles avec ce produit ;
- f. des inondations, incendies, vents, foudre, accidents, atmosphères corrosives ou autres conditions indépendantes de la volonté de Midea ;
- g. une interruption du service électrique ou un service électrique inadéquat ;
- h. un remplacement des fusibles et un remplacement ou une réinitialisation des disjoncteurs ;
- i. des tuyaux d'eau gelés ou cassés, des dégâts d'eau, une pénétration d'humidité, de la moisissure ou tout autre développement biologique ;
- j. l'utilisation, la combinaison ou l'association du Produit à d'autres produits, processus ou matériaux non fournis par Midea.

## ÉTENDUE DE LA GARANTIE

Si un problème de qualité ou de performance couvert par cette garantie est découvert pendant la période de garantie, nous réparerons ou remplacerons, à notre discrétion, le produit en question. Cette garantie est limitée à la réparation ou au remplacement du produit par un réparateur ou un concessionnaire Midea agréé et ne couvre pas les frais d'expédition, les coûts de main-d'œuvre, les droits de douane, les coûts de logistique interne ou les coûts de service, y compris les coûts de diagnostic, de retrait, de transport ou de réinstallation. Si nous vous le demandons, vous devez nous retourner le produit.

## EXCLUSION DE GARANTIE ; EXCLUSION DE DOMMAGES

Il s'agit de la seule garantie expresse que nous offrons aux consommateurs sur nos produits. **TOUTE GARANTIE IMPLICITE DE MIDEA, Y COMPRIS, MAIS SANS S'Y LIMITER, LES GARANTIES DE QUALITÉ MARCHANDE ET D'ADÉQUATION À UN USAGE PARTICULIER, EST LIMITÉE À LA DURÉE DE CETTE GARANTIE EXPRESSE.** Certains États et provinces n'autorisent pas l'exclusion des garanties expresses et/ou la limitation de la durée d'une garantie implicite. Il est donc possible que l'exclusion et/ou la limitation susmentionnées ne pas s'applique pas à vous.

LE RECOURS DÉCRIT CI-DESSUS EST LE SEUL QUE NOUS FOURNIRONS, QUE CE SOIT AU TITRE DE LA PRÉSENTE GARANTIE OU DE TOUTE GARANTIE DÉCOULANT DE L'APPLICATION DE LA LOI. NOUS NE SERONS PAS RESPONSABLES DES DOMMAGES CONSÉCUTIFS OU ACCESSOIRES DÉCOULANT DE LA VIOLATION DE CETTE GARANTIE OU DE TOUTE AUTRE GARANTIE, EXPRESSE OU IMPLICITE, DE LA NÉGLIGENCE OU DE TOUT AUTRE DÉLIT, OU DE TOUTE THÉORIE DE RESPONSABILITÉ STRICTE, Y COMPRIS, MAIS SANS S'Y LIMITER, LA PERTE DE PROFITS. Certains États n'autorisent pas l'exclusion ou la limitation des dommages accessoires ou consécutifs, il est possible que l'exclusion ci-dessus ne vous concerne pas.

## **PROCESSUS DE RÉCLAMATION AU TITRE DE LA GARANTIE**

Pour plus d'informations ou pour faire une demande de garantie, veuillez consulter le site suivant :

<https://www.midea.com/us/support>

Contactez-nous via les canaux suivants :

Téléphone : 1-866-646-4332

Courriel : [customerserviceusa@midea.com](mailto:customerserviceusa@midea.com)

Vous devez avoir votre facture de vente, votre bon de livraison ou une preuve d'achat appropriée pour soumettre une réclamation au titre de la garantie. La date d'achat établit la période de garantie, si un service venait à s'avérer nécessaire.

## **RÉSOLUTION DES LITIGES**

**CLAUSE D'ARBITRAGE. IMPORTANT ! VEUILLEZ CONSULTER CETTE CLAUSE D'ARBITRAGE. ELLE AFFECTE VOS DROITS LÉGAUX.**


- a. Parties : Cette clause d'arbitrage (« Clause d'arbitrage ») affecte vos droits à l'encontre de Midea et toutes ses sociétés affiliées, ses employés ou agents, successeurs ou ayants droit, qui sont tous ci-après désignés par « nous » ou « notre » pour des raisons de commodité.
- b. **EXIGENCE EN MATIÈRE D'ARBITRAGE : SAUF INDICATION CONTRAIRE CI-DESSOUS, TOUT LITIGE ENTRE VOUS ET L'UN D'ENTRE NOUS SERA TRANCHÉ PAR UN ARBITRAGE NEUTRE ET CONTRAIGNANT PLUTÔT QUE PAR UN TRIBUNAL OU UN PROCÈS AVEC JURY.** Le terme « Litige » prend son sens le plus large possible autorisé par la loi. Il s'agit de tout litige, réclamation ou controverse découlant de ou lié à votre achat de ce produit, toute garantie sur le produit ou l'état du produit. Cela comprend également la détermination de la portée ou de l'applicabilité de la présente clause d'arbitrage. L'exigence d'arbitrage s'applique aux réclamations contractuelles et délictuelles, en vertu de la loi ou autrement.
- c. **RENONCIATION À L'ARBITRAGE COLLECTIF : L'ARBITRAGE EST TRAITÉ INDIVIDUELLEMENT. SI UN LITIGE FAIT L'OBJET D'UN ARBITRAGE, VOUS ET NOUS RENONÇONS EXPRESSÉMENT À TOUT DROIT DE PARTICIPER EN TANT QUE REPRÉSENTANT OU MEMBRE D'UN GROUPE À TOUTE RÉCLAMATION COLLECTIVE QUE VOUS POURRIEZ AVOIR CONTRE NOUS OU QUE NOUS POURRIONS AVOIR CONTRE VOUS, OU EN TANT QUE MANDATAIRE PRIVÉ OU À TOUT AUTRE TITRE REPRÉSENTATIF, DANS LES LIMITES MAXIMALES AUTORISÉES PAR LA LOI. VOUS ET NOUS RENONÇONS ÉGALEMENT À TOUT DROIT À L'ARBITRAGE COLLECTIF OU À TOUTE CONSOLIDATION D'ARBITRAGES INDIVIDUELS.**
- d. Enquête et autres droits : Les enquêtes et les droits de recours dans le cadre d'un arbitrage sont généralement plus limités que dans le cadre d'un procès. Cela s'applique à vous et à nous. Les autres droits que vous ou nous aurions devant un tribunal peuvent ne pas être disponibles dans le cadre d'un arbitrage. Veuillez lire cette clause d'arbitrage et consulter le règlement d'arbitrage entre les organisations énumérées ci-dessous pour plus d'informations.
- e. **OPTION RELATIVE À LA COUR DES PETITES CRÉANCES : VOUS POUVEZ CHOISIR DE SOUMETTRE TOUT LITIGE ENTRE VOUS ET L'UN D'ENTRE NOUS AU TRIBUNAL DES PETITES CRÉANCES, PLUTÔT QU'À L'ARBITRAGE, SI LE LITIGE REMPLIT TOUTES LES CONDITIONS REQUISES EN LA MATIÈRE.**

- f. Loi applicable : Pour les résidents des États-Unis, les procédures et les effets de l'arbitrage seront régis par la loi fédérale sur l'arbitrage (9 U.S.C. § 1 et seq.) plutôt que par la législation de l'État concernant l'arbitrage. Pour les résidents du Canada, les procédures et les effets de l'arbitrage seront régis par la loi d'arbitrage applicable de la province dans laquelle vous avez acheté votre Produit. La loi régissant vos droits de garantie substantiels et autres réclamations sera la loi de l'État ou de la province dans lequel vous avez acheté votre Produit. Tout tribunal compétent peut rendre un jugement sur la sentence arbitrale.
- g. Règles de l'arbitrage : Si le montant en litige est inférieur à 250 000 \$, l'arbitrage sera tranché par un seul arbitre. Si le montant en litige est supérieur ou égal à 250 000 \$, l'arbitrage sera tranché par un panel de trois arbitres. L'arbitre ou les arbitres sera(ont) choisi(s) conformément aux règles de l'organisation d'arbitrage responsable. Les résidents des États-Unis peuvent choisir JAMS (1920 Main Street, Ste. 300, Irvine, CA 92614, [www.jamsadr.com](http://www.jamsadr.com)), ou, sous réserve de notre approbation, toute autre organisation d'arbitrage. En outre, les résidents du Canada peuvent choisir l'ADR Institute of Canada (234 Eglinton Ave. East, Suite 405, Toronto, Ontario, M4P 1K5, [www.amic.org](http://www.amic.org)). Vous pouvez obtenir les règles de ces organisations en contactant l'organisation ou en visitant son site Web. Si les règles de l'organisation d'arbitrage choisie sont en conflit avec la présente clause d'arbitrage, les dispositions de la présente clause d'arbitrage prévalent. La sentence du ou des arbitres sera définitive et contraignante pour toutes les parties.
- h. Lieu de l'audience d'arbitrage : À moins que la loi en vigueur n'en dispose autrement, l'audience d'arbitrage pour les résidents des États-Unis se déroulera dans le district judiciaire fédéral dans lequel vous résidez (dans votre région natale) ou, pour les résidents du Canada, dans votre province de résidence et, si vous le souhaitez, en personne.
- i. Frais de l'arbitrage : Chaque partie est responsable de ses propres frais d'avocat, d'expert et autres, sauf si la loi applicable en dispose autrement. Nonobstant la phrase précédente, et à moins que la loi applicable n'en dispose autrement, si vous êtes un consommateur en vertu des règles JAMS ou des règles d'un autre administrateur d'arbitrage convenu, Midea vous paiera ou vous remboursera tous les frais ou coûts raisonnables dans la mesure requise par la loi ou les règles de l'administrateur d'arbitrage applicable. Que la loi ou de telles règles l'exigent ou non, si vous l'empportez à l'arbitrage sur toute réclamation contre Midea, Midea vous remboursera tous les frais raisonnables payés à l'administrateur d'arbitrage dans le cadre de la procédure d'arbitrage. En aucun cas, Midea ne vous demandera le paiement ou le remboursement des frais raisonnables que Midea encourt dans le cadre de l'arbitrage. Si vous devez avancer des frais ou des coûts à JAMS ou à un autre administrateur d'arbitrage convenu, mais que vous demandez à Midea de le faire à votre place, Midea examinera et répondra à votre demande.
- j. Survie et applicabilité de la présente clause d'arbitrage : La présente clause d'arbitrage survivra à l'expiration ou à la résiliation, ou à tout transfert, de la garantie de votre produit. Si une partie de la présente clause d'arbitrage, à l'exception des renonciations aux droits de recours collectif, est jugée inapplicable pour quelque raison que ce soit, le reste de la présente clause et la garantie resteront applicables. Si, dans un cas où des allégations de recours collectif ont été formulées, la renonciation aux droits de recours collectif au titre de la présente garantie est jugée inapplicable en ce qui concerne toute partie du litige, les parties du litige pour lesquelles la renonciation aux droits de recours collectif a été jugée inapplicable seront dissociées et feront l'objet d'une procédure judiciaire sans référence ni application de la présente clause d'arbitrage. Toutes les parties restantes feront l'objet d'un arbitrage.

## RÉSIDENTS DU QUÉBEC

Les dispositions d'arbitrage de cette garantie ne s'appliquent pas aux résidents du Québec.

# MARQUES, DROITS D'AUTEUR ET DÉCLARATION LÉGALE

Le logo  les marques verbales, le nom commercial, la présentation et toutes les versions de ces éléments sont des propriétés précieuses de Midea Group ou de ses sociétés affiliées (« Midea »), auxquelles sont rattachés des marques, des droits d'auteur et d'autres droits de propriété intellectuelle, ainsi que toute bonne volonté résultant de l'utilisation d'une partie quelconque de la marque Midea. L'utilisation de la marque Midea à des fins commerciales sans le consentement écrit préalable de Midea peut constituer une contrefaçon de marque ou une concurrence déloyale en violation des lois applicables.

Ce manuel a été créé par Midea qui en réserve tous les droits d'auteur. Aucune entité ou personne ne peut utiliser, dupliquer, modifier, distribuer en tout ou en partie ce manuel, ou regrouper ou vendre avec d'autres produits sans l'autorisation écrite préalable de Midea.

Toutes les fonctions et instructions décrites étaient à jour au moment de l'impression de ce manuel. Cependant, le produit réel peut varier en raison de fonctions et de conceptions améliorées.

# AVIS SUR LA PROTECTION DES DONNÉES

Pour la fourniture des services convenus avec le client, Nous nous engageons à respecter sans restriction toutes les dispositions de la loi applicable en matière de protection des données, conformément aux pays dans lesquels les services au client seront fournis.

De manière générale, nous traitons les données dans le but de remplir notre obligation contractuelle avec vous et pour des raisons de sécurité des produits, pour sauvegarder vos droits en rapport avec les questions de garantie et d'enregistrement des produits. Dans certains cas, mais uniquement si une protection appropriée des données est assurée, les données personnelles peuvent être transférées à des destinataires situés en dehors de l'Espace économique européen.

De plus amples informations sont fournies sur demande. Vous pouvez contacter notre délégué à la protection des données via **MideaDPO@midea.com**. Pour exercer vos droits, tels que le droit de vous opposer à ce que vos données personnelles soient traitées à des fins de marketing direct, veuillez nous contacter via **MideaDPO@midea.com**. Pour trouver des informations supplémentaires, veuillez scanner le code QR.



*make yourself at home*

