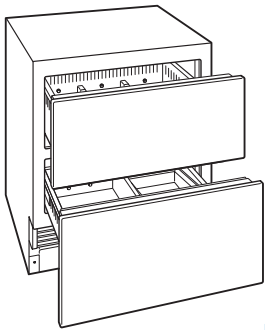


FEATURES

- Custom front panels and hardware allow for infinite design options.
- Integrated design allows for dual installation and point-of-use refrigeration.
- Interactive smart-touch control panel.
- Smooth-glide, full-extension freezer drawers with adjustable dividers.
- Drawer alarm and smart home features.
- Automatic ice maker with max ice feature temporarily increases production (ID-30FI).



Model ID-30FI



MODEL OPTIONS

All Freezer	ID-30F
Ice Maker	ID-30FI

INTERIOR FEATURES

FREEZER

- Adjustable drawer dividers
- Removable ice container (ID-30FI)
- Automatic ice maker (ID-30FI)

ACCESSORIES

- Stainless steel front panels with tubular or pro handles.
- Stainless steel tubular and pro handles.
- Dual installation kit.
- Stainless steel kickplate.
- Air deflector for reduced toe kick.

Accessories available through an authorized Sub-Zero dealer. For local dealer information, visit the find a showroom section of our website, subzero.com.

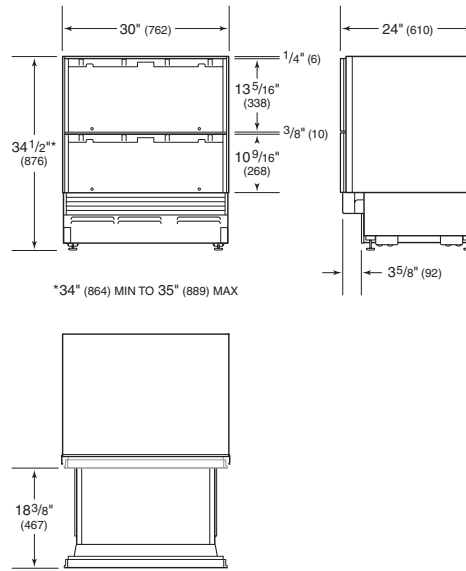
SPECIFICATIONS	
PRODUCT	
Dimensions	30"W x 34 1/2"H x 24"D
Weight	210 lb
CAPACITY	
Freezer	4.9 cu ft
ELECTRICAL	
Supply	115 VAC, 60 Hz
Service	15 amp circuit
PLUMBING	
Supply	1/4" OD copper, braided stainless steel or PEX tubing
Pressure	35–120 psi

Product dimensions do not include panels or handles and will vary with panel thickness. Allow for panel thickness when planning the finished opening depth.

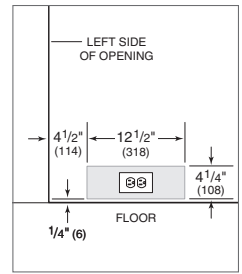
Specifications are subject to change without notice. Visit subzero.com/specs for the most up-to-date information.

Dimensions may vary $\pm 1/8"$ (3). Dimensions in parentheses are millimeters unless otherwise specified.

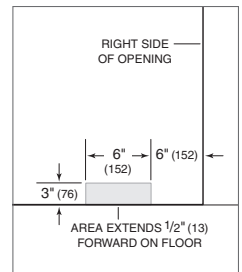
DIMENSIONS



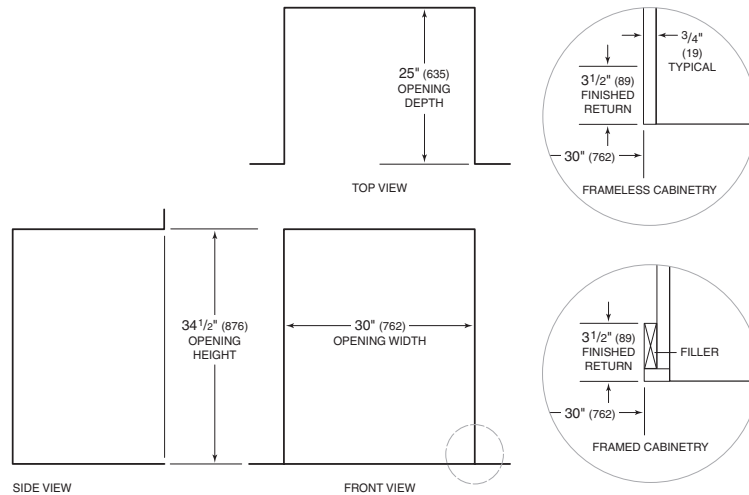
ELECTRICAL



PLUMBING



INSTALLATION



NOTE: 3 1/2" (89) finished returns will be visible and should be finished to match cabinetry.