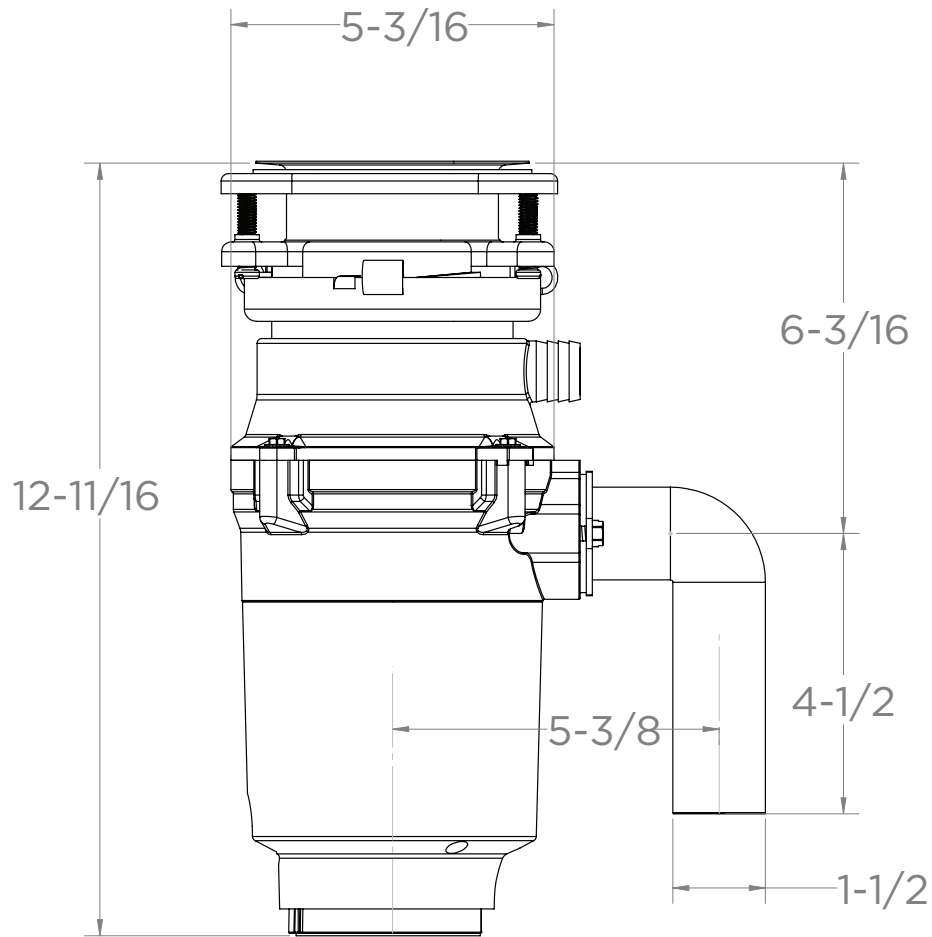


# GFC365W

## GE® 1/3 Horsepower Continuous-Feed Disposer

### DISPOSALL® FOOD WASTE DISPOSER DIMENSIONS (IN INCHES)



INLET/OUTLET DIAMETERS	
Dishwasher inlet diameter (in.)	1
Drain outlet diameter (in.)	1-1/2

POWER/RATINGS	
Power Connection	Line Cord
Volts/Hertz/Amps	120 V/60 Hz/4.0 A

**DISPOSALL**

For answers to your Monogram, Café™, GE Profile™ or GE Appliances product questions, visit our website at [geappliances.com](http://geappliances.com) or call GE Answer Center® Service, 800.626.2000.



Specification Revised 2/24

# GFC365W

## GE® 1/3 Horsepower Continuous-Feed Disposer

### FEATURES AND BENEFITS

1/3 Horsepower Motor

Large-Capacity, Continuous-Feed Disposer

Over 2,300 RPM Grinding Action\*

Stainless Steel Jam-Resistant, Dual-Swivel Impellers

Universal 3-Bolt Installation

Line Cord Power Connection, length = 35"

Standard Sound Insulation Package

Cold-Rolled Carbon Steel Armature Shaft Material

SplashGuard

Wall Switch or Air Switch Compatible

Sink Stopper Included

Manual Reset Overload Protector

Dishwasher Drain Connector

Stainless Steel Sink Flange

Galvanized Steel Turntable

Dual Blade System

Model GFC365W



**DISPOSALL**

\*Based on RPM testing of cleared GE and competitive models

Specification Revised 2/24