

STANDARD FEATURES



LINER HOODS

- Unique CircuFlow Ventilation System™ with centrifugal blower design prevents grease and contaminants from collecting in duct work for safe operation.
- Appropriate CFM specifications to perfectly match any Hestan cooking product for optimized fume and grease extraction.

Variable speed blower



- Baffle-less, variable speed blower CircuFlow Ventilation System™ collects 70% more grease than most competing models.

Smooth Coated Paint Reduces Noise

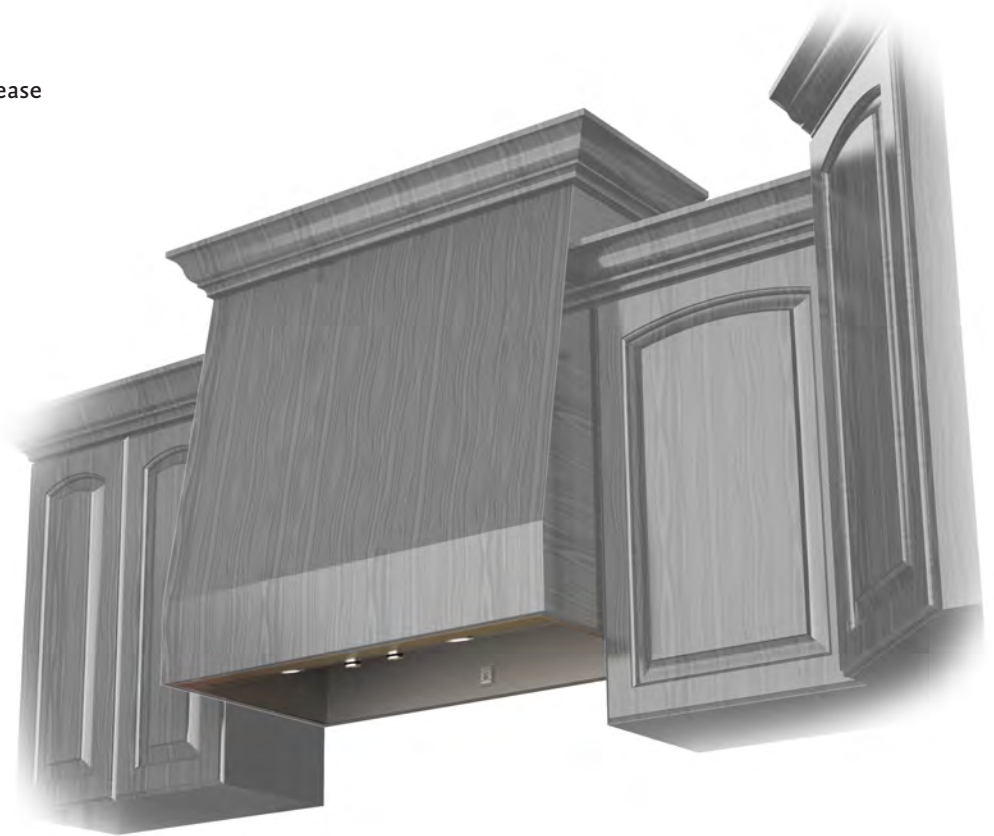


- Ultra quiet CircuFlow Ventilation System™ provides best-in-class air flow and extraction efficiency.
- Removable blower components are dishwasher-safe for easy cleaning.
- Optimized low-temp LED lighting for optimum illumination.
- Marquise™ accented control panel profile compliments design integrity.

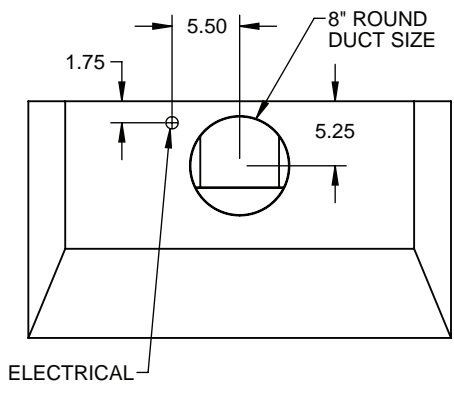
LED lighting



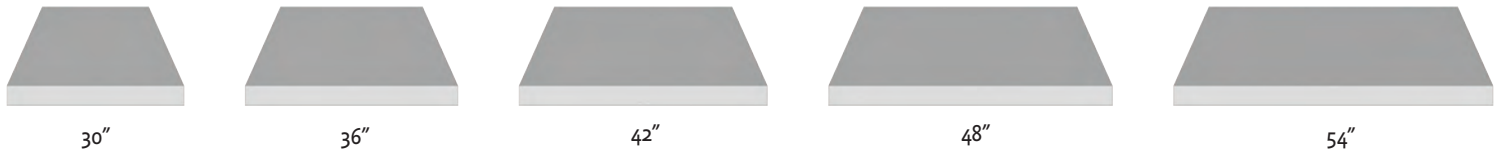
- Liner insert models available in 30", 36", 42", 48", and 54" widths.



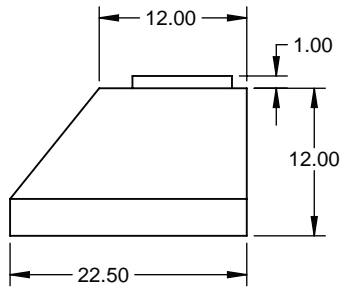
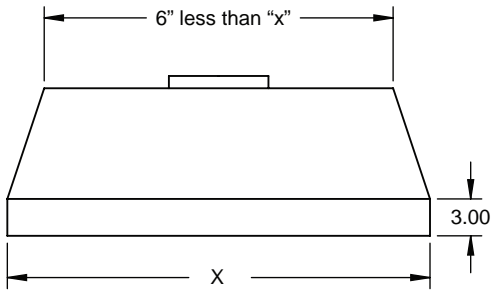
LINER HOODS



These dimensions vary from model to model.



NOTE: Liner Hoods require a structural housing for inserting and mounting the liner hood.



Hestan Indoor products are approved for indoor use only. Hestan Commercial Corporation reserves the right to change materials and specifications without notice.



ALL Models	Description	Width Dimensions		CFM	Volts	Amps	Hz	RPM	Sones	# Lights	Approx SHP WT (lbs)
		X (in.)									
KVL30	30" Liner Hood	28.38		600	115	4.0	60	1550	6.5	2	41
KVL36	36" Liner Hood	34.38		600	115	4.0	60	1550	6.5	2	51
KVL42	42" Liner Hood	40.38		900	115	6.0	60	1550	6.3	3	62
KVL48	48" Liner Hood	46.38		900	115	6.0	60	1550	6.3	3	72
KVL54	54" Liner Hood	52.38		1200	115	7.5	60	1550	6.6	3	83