

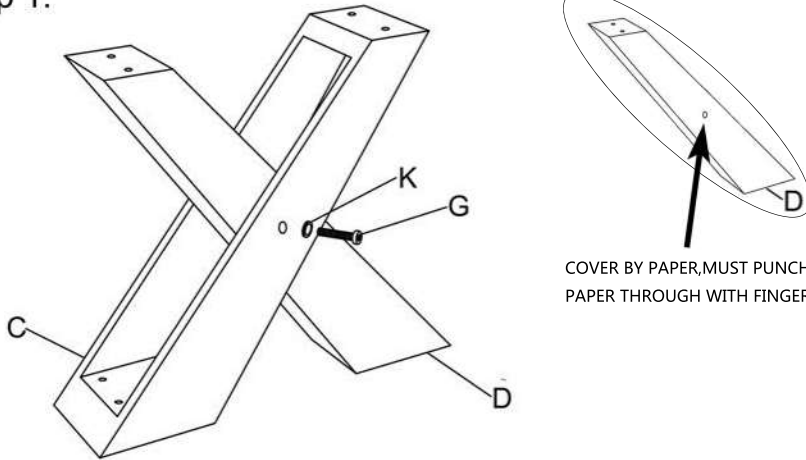
ASSEMBLY INSTRUCTION

Model :D1274DT

Description : DINING TABLE

Thank you for purchasing this quality product. Be sure to check all packing material carefully for small parts that may have come loose inside the carton during shipment.

Step 1:



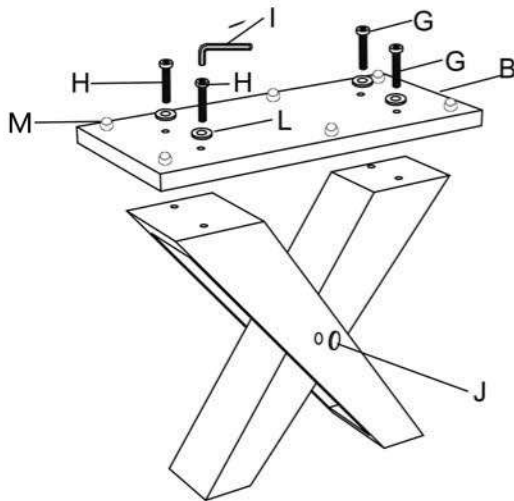
PART LIST:

NO.	Description	Diagram	Quantity
A	Top		1pcs
B	Base		1pcs
C	Stainless steel leg		1pcs
D	MDF leg		1pcs

HARDWARE LIST: located in carton 2 of 3 (D1274DT-L)

NO.	Description	Diagram	Size	Quantity
E	Screw 8		M6x8mm	4pcs
F	Wrench		M3	1pcs
H	Screw 25		M8x25mm	4pcs
G	Screw 40		M8x40mm	4pcs
I	Spanner		M5	1pcs
J	Decorative cap		∅22x8mm	2pcs
K	Plastic washer		∅22x8mm	2pcs
L	Flat washer		∅22x8mm	4pcs

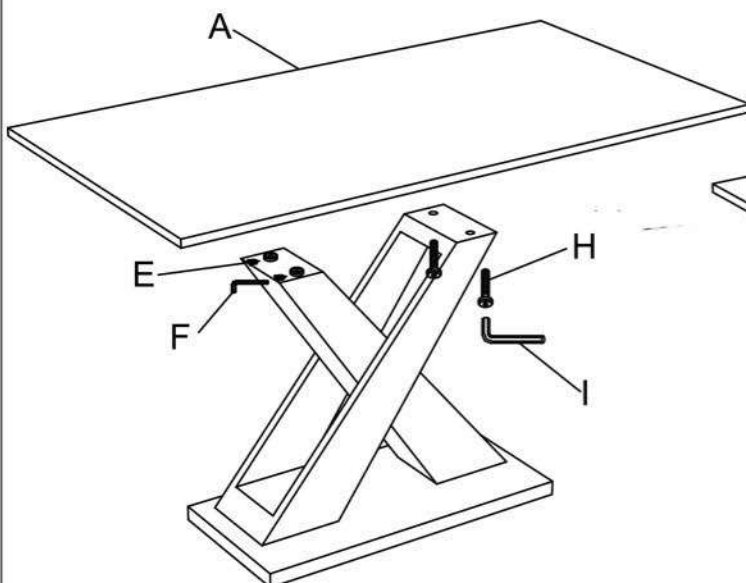
Step 2:



PREFIX HARDWARE LIST:

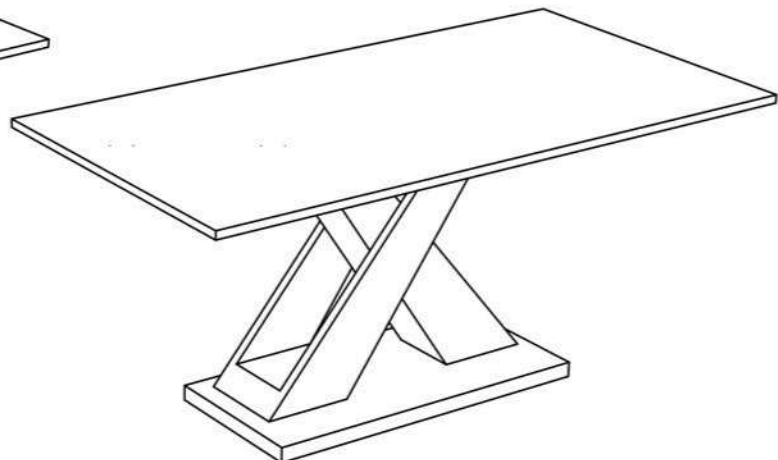
M	Caps		6pcs
---	------	--	------

Step 3:



Step 4:

Finished



Made In China