

# JENN-AIR® 30" (76.2 cm) Slide-In Gas Range

## PRODUCT MODEL NUMBERS

JGS8850CD JGS8860BD

### Natural gas:

This range is design-certified by CSA International for use with Natural gas or, after proper conversion, for use with LP gas.

- This range is factory set for use with Natural gas. See "Gas Conversions" section. The gas information plate located behind the storage drawer on the left-hand side oven door frame has information on the types of gas that can be used. If the types of gas listed do not include the type of gas available, check with the local gas supplier.

### LP gas conversion:

Conversion must be done by a qualified service technician.

No attempt shall be made to convert the appliance from the gas specified on the gas information plate for use with a different gas without consulting the serving gas supplier. See "Gas Conversions" section.

### Gas Supply Line

- Provide a gas supply line of  $\frac{3}{4}$ " (1.9 cm) rigid pipe to the range location. A smaller size pipe on longer runs may result in insufficient gas supply. With LP gas, piping or tubing size can be  $\frac{1}{2}$ " (1.3 cm) minimum. Usually, LP gas suppliers determine the size and materials used in the system.

**NOTE:** Pipe-joint compounds that resist the action of LP gas must be used. Do not use TEFLON<sup>®†</sup> tape.

- Must include a shutoff valve:

The supply line must be equipped with a manual shutoff valve. This valve should be located in the same room but external to the range opening, such as an adjacent cabinet. It should be in a location that allows ease of opening and closing. Do not block access to shutoff valve. The valve is for turning on or shutting off gas to the range.

†TEFLON is a registered trademark of E.I. Du Pont De Nemours and Company.

### Electrical Requirements

- A 120 volt, 60 Hz., AC only, 15-amp fused, electrical circuit is required. A time-delay fuse or circuit breaker is also recommended. It is recommended that a separate circuit serving only this range be provided.

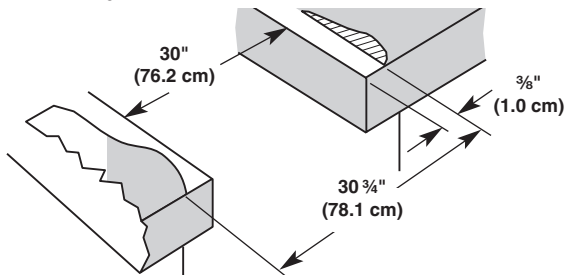
## SLIDE-IN RANGE COUNTERTOP PREPARATION

The cooktop sides of the slide-in range fit over the cutout edge of your countertop.

If you have a square finish (flat) countertop and the opening width is 30" (76.2 cm), no countertop preparation is required.

Formed front-edged countertops must have molded edge shaved flat  $\frac{3}{8}$ " (1.0 cm) from each front corner of opening.

Tile countertops may need trim cut back  $\frac{3}{8}$ " (1.0 cm) from each front corner and/or rounded edge flattened.

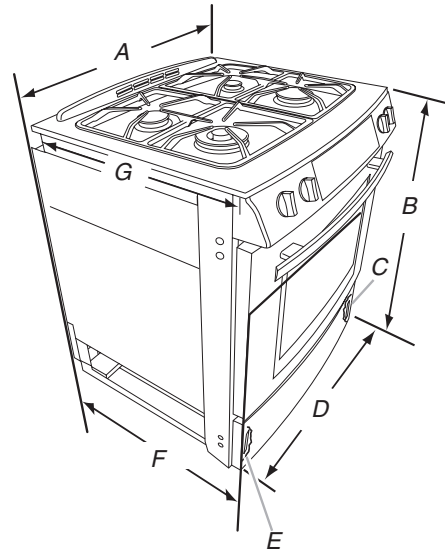


If countertop opening width is greater than 30" (76.2 cm), adjust the  $\frac{3}{8}$ " (1.0 cm) dimension.

Countertop must be level. Place level on countertop, first side to side, then front to back. If countertop is not level, range will not be level. Range must be level for satisfactory baking conditions.

## PRODUCT DIMENSIONS

### Models JGS8750 and JGS8850



A. 30  $\frac{3}{4}$ " (78.1 cm)

B. 35  $\frac{3}{4}$ " (90.8 cm) height to underside of cooktop edge with leveling legs screwed all the way in\*

C. Model/serial number plate (located behind the storage drawer on the right-hand side of the oven frame)

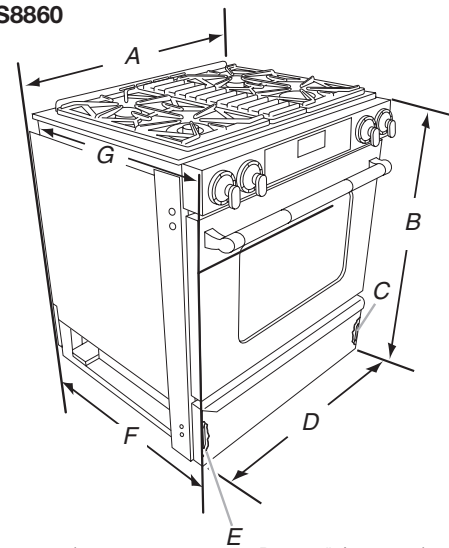
D. 29  $\frac{7}{8}$ " (75.9 cm)

E. Gas information plate (located behind the storage drawer on the left-hand side of the oven frame)

F. 29" (73.7 cm) from handle to back of range\*\*

G. 23" (58.4 cm) countertop notch to rear of cooktop

### Model JGS8860



A. 30  $\frac{7}{8}$ " (78.4 cm)

B. 35  $\frac{3}{4}$ " (90.8 cm) height to underside of cooktop edge with leveling legs screwed all the way in\*

C. Model/serial number plate (located behind the storage drawer on the right-hand side of the oven frame)

D. 29  $\frac{7}{8}$ " (75.9 cm)

E. Gas information plate (located behind the storage drawer on the left-hand side of the oven frame)

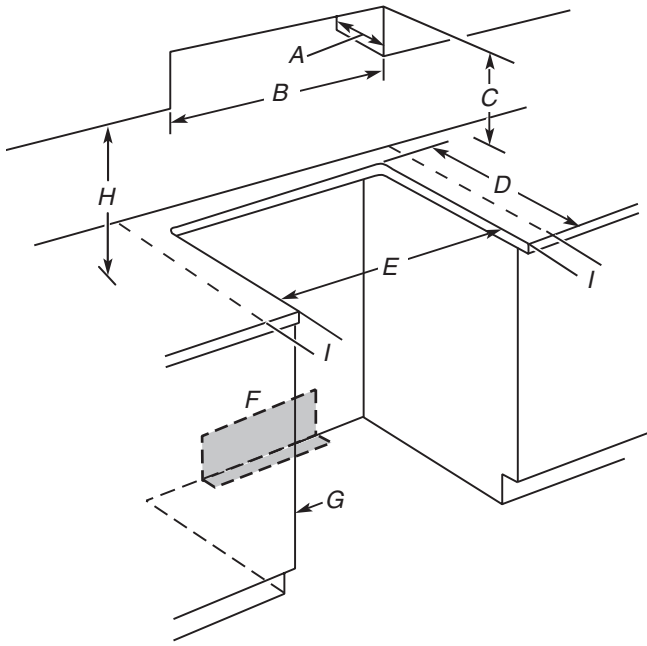
F. 29" (73.7 cm) from handle to back of range\*\*

G. 27" (68.6 cm) from handle to rear of cooktop

\*Range can be raised approximately 1" (2.5 cm) by adjusting the leveling legs.

\*\*When installed in a 24" (61.0 cm) base cabinet with 25" (63.5 cm) countertop; front of oven door protrudes 5" (12.7 cm) beyond 24" (61.0 cm) base cabinet.

## CABINET OPENING DIMENSIONS



Cabinet opening dimensions shown are for 25" (64.0 cm) countertop depth, 24" (61.0 cm) base cabinet depth and 36" (91.4 cm) countertop height.

**IMPORTANT:** If installing a range hood or microwave hood combination above the range, follow the range hood or microwave hood combination installation instructions for dimensional clearances above the cooktop surface.

Range may be installed with zero clearance to combustible construction at the rear and on the sides below the cooktop.

- A. 13" (33.0 cm) upper cabinet depth
- B. 30" (76.2 cm) min. opening width
- C. For minimum clearance to the top of the cooktop, see NOTE.
- D. 23<sup>3</sup>/<sub>4</sub>" (59.1 cm) opening depth
- E. 30" (76.2 cm) min. opening width
- F. Electrical and gas supply - 5<sup>1</sup>/<sub>2</sub>" (14.0 cm) min. from either cabinet, 10" (25.4 cm) max. from floor. Nothing located in shaded area can extend more than 2<sup>1</sup>/<sub>4</sub>" (5.7 cm) from back wall or range will not slide all the way back. Grounded outlet must be flush mounted.
- G. Cabinet door or hinge should not extend into cutout.
- H. 18" (45.7 cm)
- I. 3" (7.6 cm) min. clearance from both sides of the range to the side wall or other combustible material.

**NOTE:** 24" (61.0 cm) minimum when bottom of wood or metal cabinet is shielded by not less than 1/4" (0.64 cm) flame retardant millboard covered with not less than No. 28 MSG sheet steel, 0.015" (0.4 mm) stainless steel, 0.024" (0.6 mm) aluminum or 0.020" (0.5 mm) copper.

30" (76.2 cm) minimum clearance between the top of the cooking platform and the bottom of an uncovered wood or metal cabinet.