

# RF25C5551SR

SAMSUNG

## 25 cu. ft. 3-Door French Door Refrigerator with Beverage Center™ & AutoFill Water Pitcher



### Signature Features

#### Beverage Center™ & AutoFill Water Pitcher

Convenient access to refreshingly cool, filtered water is always in reach. The Beverage Center™ includes a dispenser and AutoFill Water Pitcher so you can press or pour—with the option to infuse with a flavor.

#### Dual Auto Ice Maker

Choose from cubed ice or Ice Bites™ that chill your drink faster.

#### Large Capacity with SpaceMax™ Technology

Store more with a spacious 25 cu. ft. interior\*. Features SpaceMax™ technology that gives you extra storage space inside without compromising energy efficiency. Keeps more food fresher longer.

\*Based on internal testing, compared to the RF20A model.

#### Internal Water Filter

It is integrated into the inside refrigerator wall and plumbed into the water supply. So it is easy to get a refreshing cold drink, with nothing showing on the outside.

### Available Color



Fingerprint Resistant  
Stainless Steel



Beverage Center™ & AutoFill  
Water Pitcher



Dual Auto Ice Maker

### Design

- Internal Water Filter
- Design
- Fingerprint Resistant Finish
- Recessed Handle
- LED Lighting
- Gallon Door Bins
- Tempered Glass Spill-Proof Shelves

### Technology

- Beverage Center™ & AutoFill Water Pitcher
- Digital Inverter Technology
- Wi-Fi Connectivity
- Door Alarm
- Power Cool & Power Freeze

### Performance

- Dual Auto Ice Maker with Ice Bites™
- SmartThings Energy\*
- All-Around Cooling

\*Available on Android and iOS devices. A Wi-Fi connection and a Samsung account are required.

### Rating



ENERGY STAR® rated:  
643 kWh/yr



ADA Compliant

# RF25C5551SR

SAMSUNG

## 25 cu. ft. 3-Door French Door Refrigerator with Beverage Center™ & AutoFill Water Pitcher

### Installation Specifications

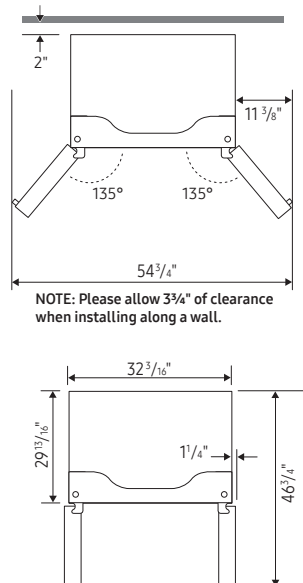
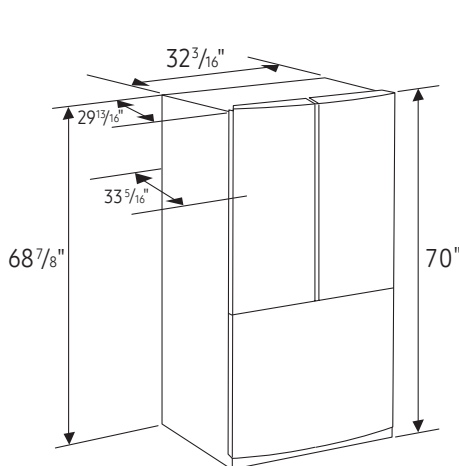
1. Measure the height, width and depth of the opening, making sure to include baseboards, molding tile, countertop overhang, etc. Check to be sure there is enough room to open the door (consider walls, islands or other obstacles when measuring).
2. Refer to illustration below to determine dimensions.
3. Allow 1½" of clearance on hinge side of refrigerator when installing next to a wall where door may make contact.
4. Allow 2" minimum clearance at rear for proper air circulation and water/electrical connections. Allow a ¾" minimum clearance at sides and top for ease of installation.
5. Ensure each door and entryway in the home is wide enough for the refrigerator to be moved through easily.

For optimal usage and ability to open refrigerator doors completely, do not install next to a wall.

Please note: The following dimensions and cutout information is for planning purposes only. For complete installation details, consult manual packed with product or download manual online at [samsung.com](http://samsung.com).



### Dimensions



**Total Capacity: 24.5 cu. ft.**

**Refrigerator: 16.5 cu. ft.**

- 3 Tempered Glass Spill-Proof Shelves
- 2 Clear Crisper Drawers
- 7 Door Bins
  - Right Door: 1 Gallon Bin, 2 Regular Bins
  - Left Door: 1 Gallon Bin, 3 Regular Bins
- Surface Lighting

**Freezer: 8.0 cu. ft.**

- Dual Ice Maker in Freezer (Cubed Ice AND Ice Bites™)
- Ice Bucket with 1 Scoop
- Produces up to 5.6 lbs ice/day
- High-Efficiency LED Lighting

### Accessories

Water Filter: HAF-QIN

### Warranty

One (1) Year Parts and Labor on Refrigerator

Five (5) Years Parts and Labor on Sealed Refrigeration System Only\*

Ten (10) Years Parts and Five (5) Years Labor on Digital Inverter Compressor

\*Compressor, evaporator, condenser, drier and connecting tubing.

### Product Dimensions & Weight

Dimensions (WxHxD with hinges and doors):

32<sup>3</sup>/<sub>16</sub>" x 70" x 33<sup>5</sup>/<sub>16</sub>"

Dimensions (WxHxD without hinges and door):

32<sup>3</sup>/<sub>16</sub>" x 68<sup>7</sup>/<sub>8</sub>" x 29<sup>13</sup>/<sub>16</sub>"

Weight: 248 lbs

### Shipping Dimensions & Weight (WxHxD)

Dimensions: 32<sup>5</sup>/<sub>8</sub>" x 73" x 35"

Weight: 256 lbs

### Color

Fingerprint Resistant  
Stainless Steel

### Model #

RF25C5551SR

### UPC Code

887276719023