



**ALL REFRIGERATOR
AND UPRIGHT FREEZER**
Use and Care Guide

**TODOS LOS
REFRIGERADOR Y
CONGELADORES
VERTICALES**
Manual de uso y cuidado

**TOUS LES
RÉFRIGÉRATEURS
ET CONGÉLATEURS
VERTICAUX**
Guide d'utilisation et
d'entretien

TABLE OF CONTENTS...2 / ÍNDICE...19 / TABLE DES MATIÈRES...37

TABLE OF CONTENTS

REFRIGERATOR AND FREEZER SAFETY	3	CARING FOR YOUR REFRIGERATOR OR FREEZER	14
Proper Disposal of Your Old Refrigerator or Freezer	4	Registering Your Unit	14
INSTALLING YOUR REFRIGERATOR OR FREEZER.....	5	Refrigerator and Freezer Features	14
Unpacking.....	5	Cleaning Your Refrigerator or Auto-Defrosting Freezer	14
Cleaning Before Use.....	5	Changing the Light Bulb	15
Location Requirements.....	5	Power Interruptions	15
Tools.....	5	Vacation and Moving Care.....	15
Electrical Requirements.....	6	TROUBLESHOOTING	15
Removing the Unit Door	6	Refrigerator Operation	16
Replacing the Unit Door	6	Freezer Operation	17
Reversing the Unit Door.....	7	GLADIATOR® GARAGEWORKS	
Installing the Heavy Duty Casters and Silver Tread Foot Pedals	8	MAJOR APPLIANCE WARRANTY	18
OPERATING YOUR REFRIGERATOR OR FREEZER.....	11		
Normal Sounds	11		
Ensuring Proper Air Circulation.....	11		
Using the Refrigerator Control	12		
Using the Freezer Control.....	13		

REFRIGERATOR AND FREEZER SAFETY

Your safety and the safety of others are very important.

We have provided many important safety messages in this manual and on your appliance. Always read and obey all safety messages.



This is the safety alert symbol.

This symbol alerts you to potential hazards that can kill or hurt you and others.

All safety messages will follow the safety alert symbol and either the word "DANGER" or "WARNING." These words mean:

⚠ DANGER

You can be killed or seriously injured if you don't immediately follow instructions.

⚠ WARNING

You can be killed or seriously injured if you don't follow instructions.

All safety messages will tell you what the potential hazard is, tell you how to reduce the chance of injury, and tell you what can happen if the instructions are not followed.

IMPORTANT SAFETY INSTRUCTIONS

WARNING: To reduce the risk of fire, electric shock, or injury when using your refrigerator, follow these basic precautions:

- Plug into a grounded 3 prong outlet.
- Do not remove ground prong.
- Do not use an adapter.
- Do not use an extension cord.
- Disconnect power before servicing.
- Replace all parts and panels before operating.
- Use nonflammable cleaner.
- Keep flammable materials and vapors, such as gasoline, away from refrigerator.
- Use two or more people to move and install refrigerator.
- Remove doors or lid from your old freezer or refrigerator.
- This appliance is not intended for use by persons (including children) with reduced physical, sensory or mental capabilities, or lack of experience and knowledge, unless they have been given supervision or instruction concerning use of the appliance by a person responsible for their safety.
- Children should be supervised to ensure that they do not play with the appliance.

SAVE THESE INSTRUCTIONS

State of California Proposition 65 Warnings:

WARNING: This product contains one or more chemicals known to the State of California to cause cancer.

WARNING: This product contains one or more chemicals known to the State of California to cause birth defects or other reproductive harm.

Proper Disposal of Your Old Refrigerator or Freezer

⚠️ WARNING

Suffocation Hazard

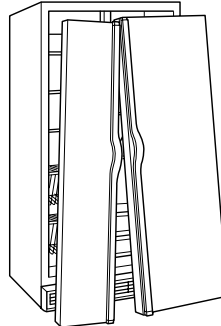
Remove doors from your old refrigerator.

Failure to do so can result in death or brain damage.

Important information to know about disposal of refrigerants:

Dispose of refrigerator in accordance with Federal and Local regulations. Refrigerants must be evacuated by a licensed, EPA certified refrigerant technician in accordance with established procedures.

IMPORTANT: Child entrapment and suffocation are not problems of the past. Junked or abandoned refrigerators and freezers are still dangerous – even if they will sit for “just a few days.” If you are getting rid of your old refrigerator or freezer, please follow these instructions to help prevent accidents.



Before You Throw Away Your Old Refrigerator or Freezer:

- Take off the doors or lid.
- Leave the shelves in place so that children may not easily climb inside.

INSTALLING YOUR REFRIGERATOR OR FREEZER

Unpacking

WARNING

Excessive Weight Hazard

Use two or more people to move and install refrigerator/freezer.

Failure to do so can result in back or other injury.

- Remove and recycle or discard all packaging materials except for the foam corner posts, which will be used for installation.
- Remove tape and glue residue from surfaces before turning on the refrigerator or freezer. Rub a small amount of liquid dish soap over the adhesive with your fingers. Wipe with warm water and dry.
- Do not use sharp instruments, rubbing alcohol, flammable fluids, or abrasive cleaners to remove tape or glue. These products can damage the surface of your refrigerator or freezer. For more information, see the "Safety" section.

When Moving Your Refrigerator:

Your refrigerator is heavy. When moving the refrigerator for cleaning or service, be sure to cover the floor with cardboard or hardboard to avoid floor damage. Always pull the refrigerator straight out when moving it. Do not wiggle or "walk" the refrigerator when trying to move it, as floor damage could occur.

Cleaning Before Use

After you remove all of the packaging materials, clean the inside of your refrigerator or freezer before using it. See the cleaning instructions in the "Caring For Your Refrigerator or Freezer" section.

Important information to know about glass shelves and covers:

Do not clean glass shelves or covers with warm water when they are cold. Shelves and covers may break if exposed to sudden temperature changes or impact, such as bumping. Tempered glass is designed to shatter into many small, pebble-size pieces. This is normal. Glass shelves and covers are heavy. Use both hands when removing them to avoid dropping.

Location Requirements

WARNING



Explosion Hazard

Keep flammable materials and vapors, such as gasoline, away from refrigerator.

Failure to do so can result in death, explosion, or fire.

Ventilation and Clearance

- Keep flammable materials and vapors, such as gasoline, away from unit.
- Do not cover the unit with items such as blankets, sheets, tablecloths, etc. This reduces air circulation.

To ensure proper ventilation for your refrigerator or freezer, allow for 1/2" (12.7 mm) space on each side and at the top. When installing your refrigerator or freezer next to a fixed wall, leave 2" (5.08 cm) minimum on the hinge side (some models require more) to allow for the door to swing open.

Temperature

- The refrigerator and freezer are designed to withstand temperatures between 0°F (-17°C) and 110°F (43°C) and remain operational.
- However, the refrigerator is not equipped with a heater. If using the refrigerator in an area having temperatures that fall below your refrigerator's internal temperature setting, the internal temperature of the refrigerator will drop.
- When external temperatures reach 32°F (0°C) or below, refrigerator contents may freeze, so monitor food and beverages frequently for freezing, freshness, and taste when using the refrigerator in cold locations. If you are storing contents that are sensitive to freezing, we recommend moving those contents to an in-home refrigerator before they are exposed to freezing temperatures.
- The warmer the room temperature, the longer it will take the unit to cool to the set point temperature when food is added.

Upon Moving To Final Location

NOTE: This refrigerator or freezer may be installed side by side with another freezer or refrigerator. Allow for a 1" (2.54 cm) space behind the refrigerator or freezer and a 1/4" (6.4 mm) clearance between the appliances.

Tools

Gather the required tools before assembly:

- 5/16" hex-head socket wrench
- 3/8" hex-head socket wrench
- 2" flat putty knife
- Phillips screwdriver
- 1/2" wrench
- TORX® T25[†] screwdriver
- TORX® T40[†] screwdriver
- 3/8" Combination wrench

Helpful Tools:

- Electric screwdriver
- 3/8" ratchet wrench

Electrical Requirements

⚠ WARNING



Electrical Shock Hazard

Plug into a grounded 3 prong outlet.

Do not remove ground prong.

Do not use an adapter.

Do not use an extension cord.

Failure to follow these instructions can result in death, fire, or electrical shock.

Before you move your refrigerator or freezer into its final location, it is important to make sure you have the proper electrical connection.

Recommended Grounding Method

A 115 Volt, 60 Hz., AC only, 15 or 20 amp fused, grounded electrical supply is required. It is recommended that a separate circuit serving only your refrigerator or freezer be provided. Use an outlet that cannot be turned off by a switch. Do not use an extension cord.

NOTE: Before performing any type of installation, cleaning, or removing a light bulb, press and hold TEMP SETTING for 3 seconds to turn off cooling, and then disconnect the refrigerator or freezer from the electrical source.

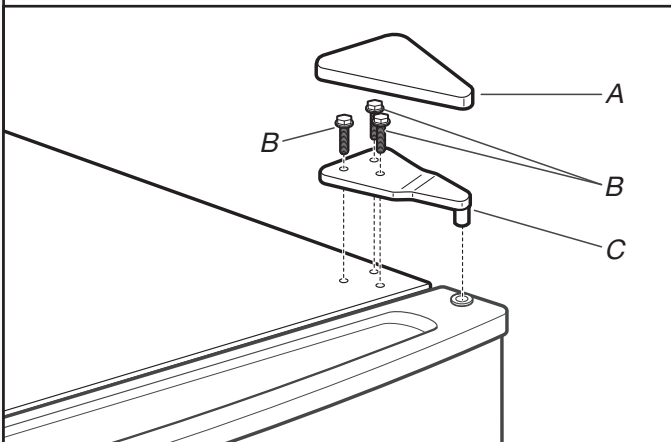
Removing the Unit Door (optional)

This unit comes from the factory with a right swing door. If desired, follow these steps to reverse to a left-swing door.

IMPORTANT:

- Depending on the width of the opening, you may need to remove the handle or door to move the unit into the house.
- All graphics referenced in the following instructions are included later in this section after the "Final Steps" section. The graphic may be reversed if the door swing is reversed.
- Before you begin, turn the control off, remove food, and adjust the door or utility bins from door.

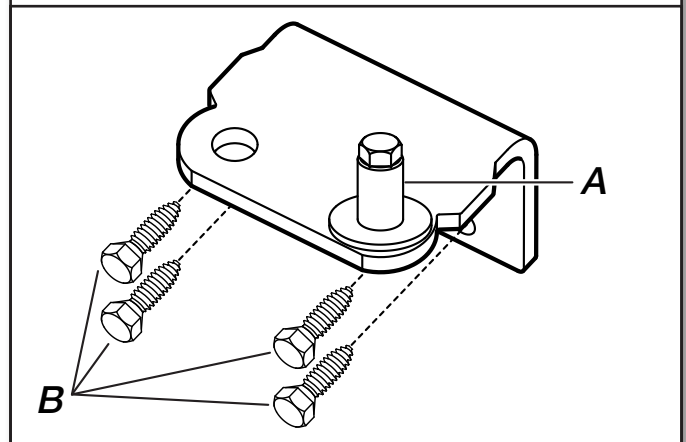
1. Remove Hinge Parts And Door



- A. Top Hinge Cover
- B. 5/16" Hex-Head Hinge Screws
- C. Top Hinge

Unplug the refrigerator or freezer or disconnect the power. Keep the unit door closed until you are ready to lift it free from the cabinet. Remove the parts for the top hinge. Lift the unit door free from the lower hinge and cabinet and set aside.

2. Remove Bottom Hinge Parts



- A. Hinge Pin
- B. 3/8" Hex-Head Hinge Screws

Remove the four hex-head hinge screws and bottom hinge assembly.

NOTE: Provide additional support for the door while the hinges are being moved. Do not depend on the door magnets to hold the door in place while you are working.

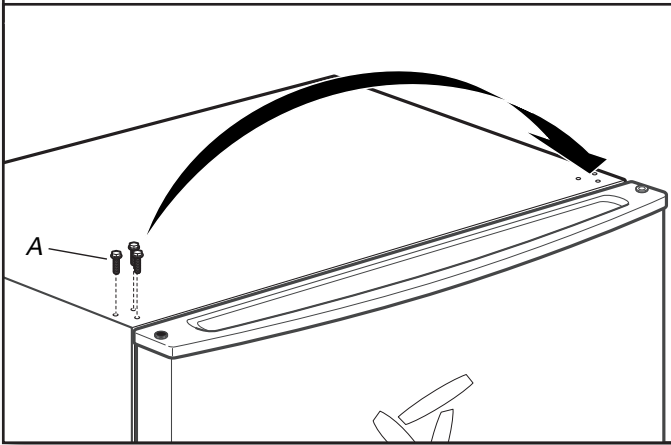
Replacing the Unit Door (optional)

Replace the bottom hinge parts from step 2 onto the unit. Then replace the rest of the hinge parts and the door from step 1.

Reversing the Unit Door (optional)

Refer to step 1 and 2 from the "Removing the Unit Door" section.

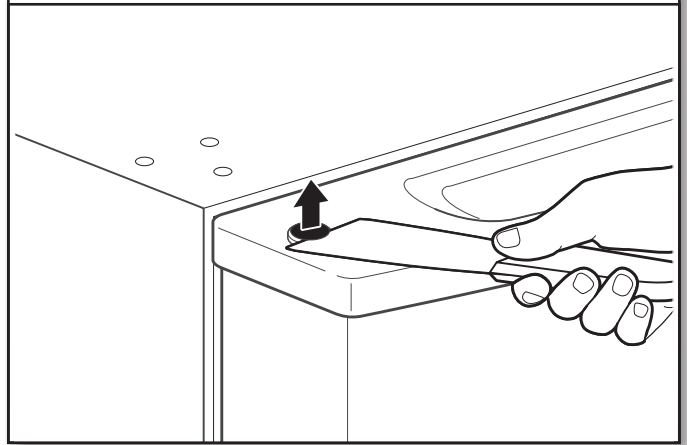
3. Remove Cabinet Hinge Hole Plugs



A. Cabinet Hinge Hole Plugs

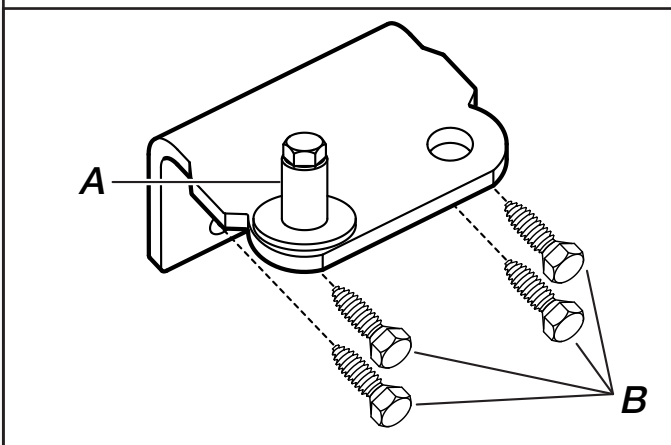
Using the putty knife, remove cabinet hinge hole plugs from the cabinet top and move them to the opposite side hinge holes. If one breaks, there are replacement parts in your literature kit.

4. Remove Door Hole Plugs



Using the putty knife, remove the door hole plugs from the door. Place the putty knife in between the black plug and clear base, and pry outwards, and place the plug in the hole on the opposite side of the door.

5. Replace Bottom Hinge



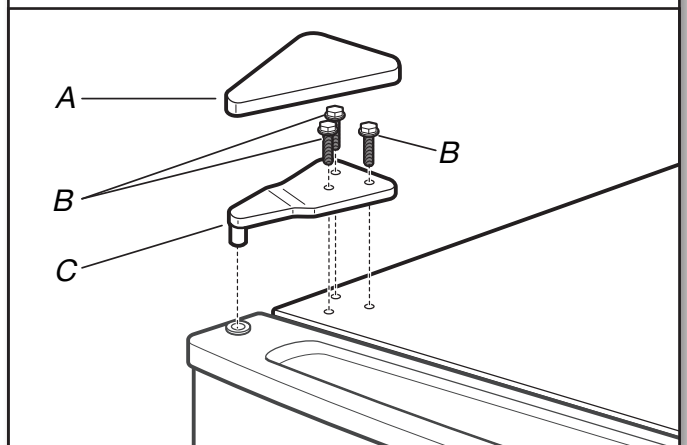
A. Bottom Hinge Pin
B. 3/8" Hex-Head Hinge Screws

Replace the four 3/8" hex head hinge screws on the opposite side, as shown, and tighten the screws.

NOTE: On the reversed door only, switch bottom hinge pin after the bracket side has been switched.

Using the 5/16" nut driver, switch the bottom hinge pin (A) to the opposite hole and tighten, as shown.

6. Replace Door And Top Hinge



A. Top Hinge Cover
B. 5/16" Hex-Head Hinge Screws
C. Top Hinge

Replace door on bottom hinge pin from previous step.

NOTE: Provide additional support for the door while the hinges are being moved. Do not depend on the door magnets to hold the door in place while you are working.

Assemble the parts of the top hinge as shown above. Tighten the screws completely.

Check all holes to make sure that the hole plugs and screws are in place. Reinstall the top hinge cover.

Installing the Heavy Duty Casters and Silver Tread Foot Pedals

NOTE: Before installing the foot pedal, adjust the door swing direction, if desired.

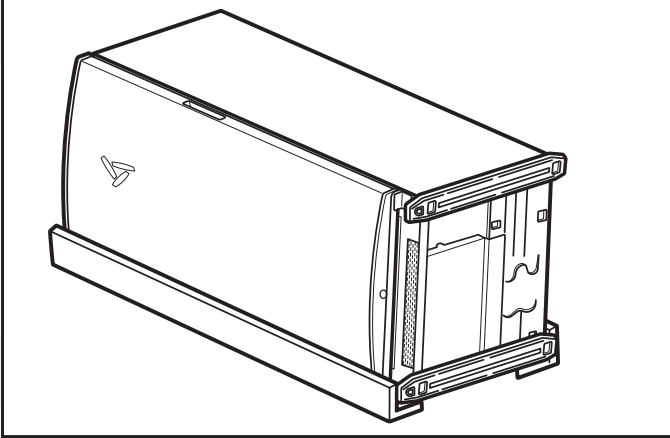
⚠ WARNING

Excessive Weight Hazard

Use two or more people to move and install refrigerator/freezer.

Failure to do so can result in back or other injury.

1. Preparation

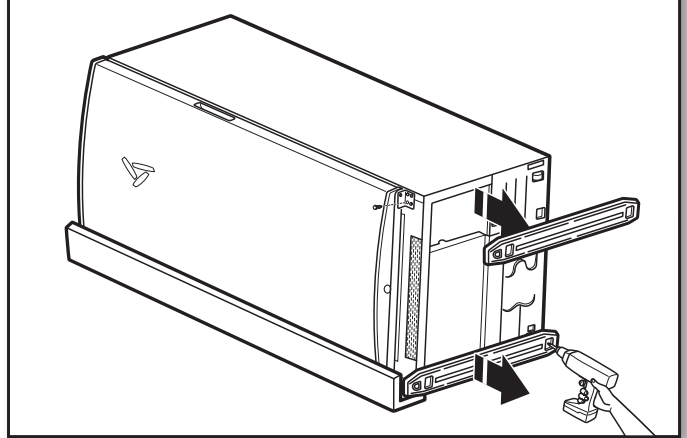


Replace the foam corner post on the non-hinged side, and then place the unit on its side on top of cardboard or other protective material. Make sure the door hinge is facing upward.

IMPORTANT: It is important that the door hinge face upward during the entire caster installation to make sure the door will not swing open during installation.

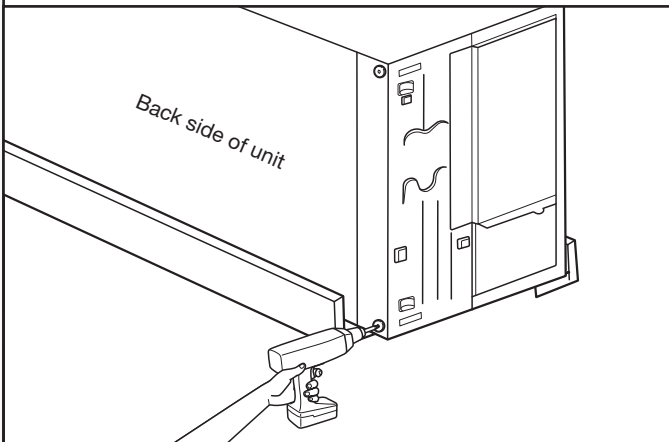
NOTE: If foam corner posts have been discarded, 2" x 4" boards may be used.

2. Remove Skid Bolts



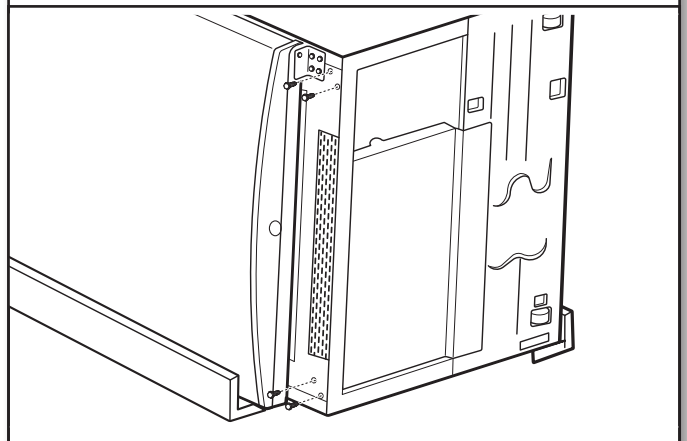
Using a 5/16" nut driver, remove the four skid bolts (two on each side) from the lower front and rear of the unit. Remove the skids.

3. Remove Rear Screws



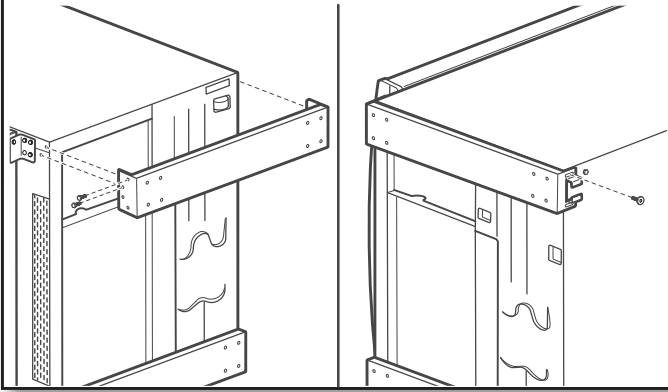
Break off the corners of the foam corner posts to gain access to the large caster bracket screws on the left and right rear of the unit. Remove the two rear caster bracket screws with a TORX® T40® screwdriver.

4. Remove Upper And Lower Hex-Head Bracket Screws



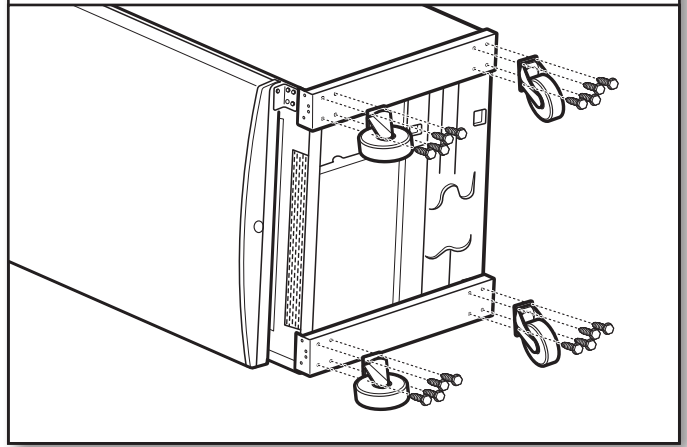
Remove the four 3/8" upper and lower hex-head bracket screws with a TORX® T25® screwdriver or 3/8" nut driver.

5. Install Caster Brackets



Align the right-hand caster brackets and drive in the rear bracket screws with the TORX® T40® screwdriver from step 3. Pushing the brackets against the bottom of the refrigerator or freezer, reinstall the upper and lower hex-head bolts with a TORX® T25® screwdriver or a 3/8" nut driver. Repeat on the left-hand side.

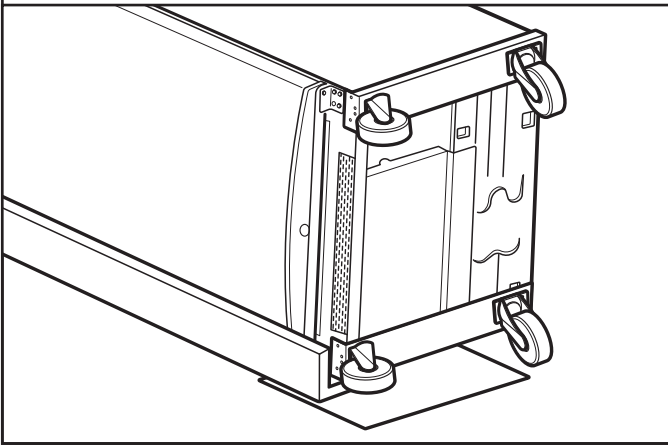
6. Attach Casters



Align a front caster (with a brake) with the holes in the caster bracket. Make sure that the brake faces the outside of the product. Insert and hand-tighten 1/2" caster bolts into each of the four caster bracket holes. Once all four caster bolts are installed, tighten the bolts with a 1/2" wrench or ratchet with an extender. Repeat installation with the other front caster (brake) and the two rear casters (no brake).

Helpful Tip: Rotate the caster to gain access to bolt locations.

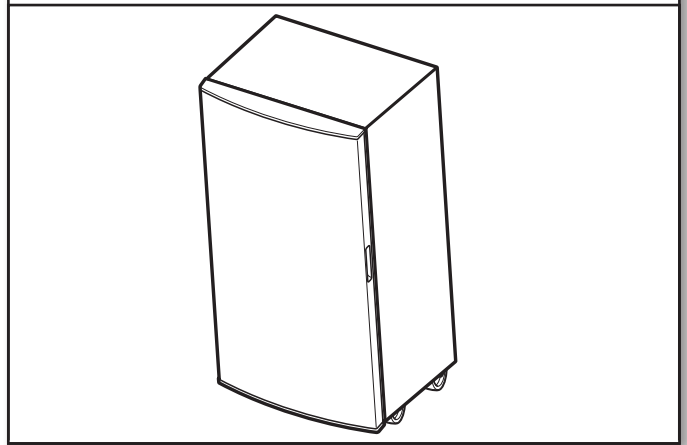
7. Lock Front Casters



Lock the front casters and insert a small piece of cardboard between the caster brake and the floor. This will help prevent the brake from rubbing on the floor.

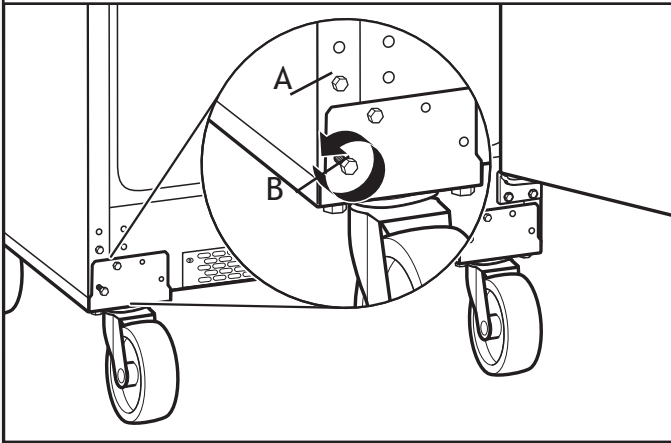
NOTE: Locking the casters will help prevent the refrigerator or freezer from moving while it is being lifted.

8. Stand Unit Upright



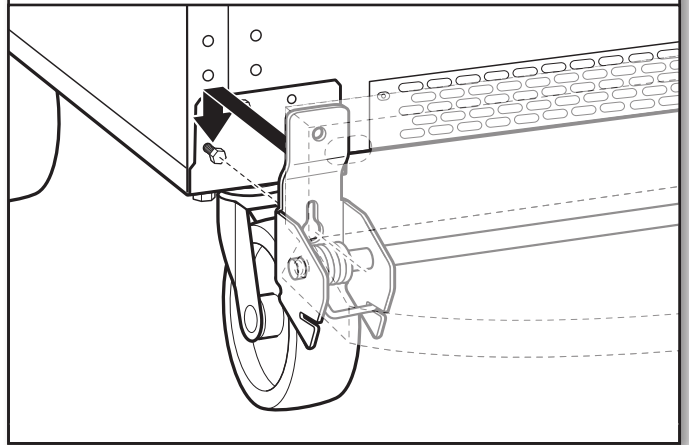
Stand the refrigerator or freezer upright.

9. Prepare For Foot Pedal Installation



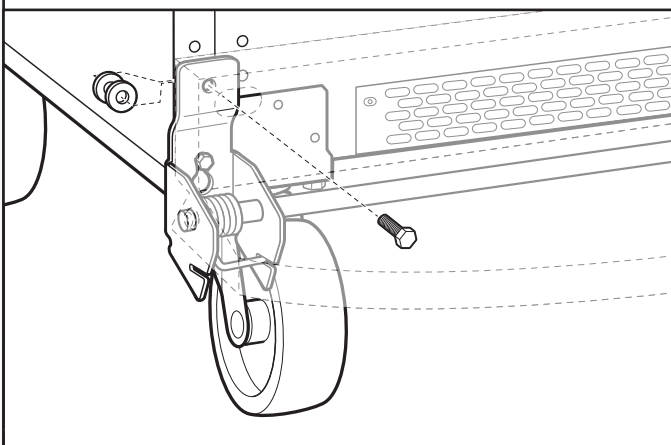
Open the product door for easier access to the foot pedal area. On both sides of the product, loosen the lower 3/8" hex-head bracket screw (B), exposing 1/4" of the thread, and fully withdraw the upper 3/8" hex-head foot pedal screw (A).

10. Align And Hang Foot Pedal



Align the circular parts of the foot pedal keyholes with the lower 3/8" hex-head bracket screws. Hang the pedal on the lower bracket screws. If the keyhole does not fully engage, loosen the bolt until engaged.

11. Reinstall The Foot Pedal Bolt



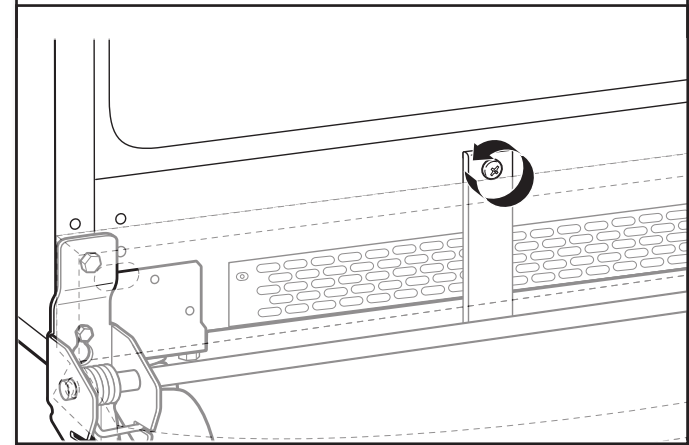
On the door hinge side, use a TORX® T25® screwdriver or a 3/8" nut driver to feed the screw through the pedal bracket mounting hole and tighten to the cabinet.

On the non-hinged side, use a TORX® T25® screwdriver or a 3/8" nut driver to feed the screw through the pedal bracket mounting hole and two spacers provided, and tighten to the cabinet.

Helpful Tip: If you are having trouble attaching the two spacers between the bracket and cabinet, tape the spacer to the back of the pedal bracket mounting hole with a strip of transparent tape before adding the screws.

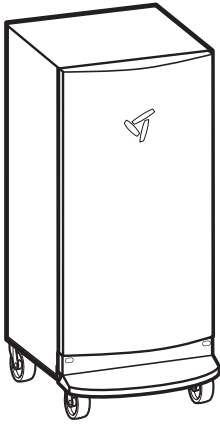
Tighten the second screw with a 3/8" wrench or 3/8" Ratchet wrench.

12. Adjust Actuator Screw If Desired



Use a Phillips screwdriver to make adjustments to the foot pedal actuator screw to adjust the foot pedal to your liking.

13. Place Unit In Final Location



⚠️ WARNING



Electrical Shock Hazard

Plug into a grounded 3 prong outlet.

Do not remove ground prong.

Do not use an adapter.

Do not use an extension cord.

Failure to follow these instructions can result in death, fire, or electrical shock.

Unlock the casters, roll the unit into the final position, and relock the casters. Plug the refrigerator or freezer into a 3 prong outlet.

NOTE: If installing your refrigerator or freezer on an unlevel floor, shims may be required to prevent the unit from rolling.

OPERATING YOUR REFRIGERATOR OR FREEZER

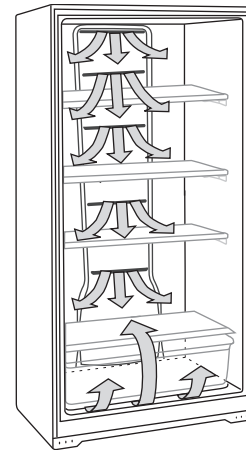
Normal Sounds

Your new refrigerator or freezer may make sounds that your old one did not make. You might be concerned about these sounds because they are new to you. Most of the new sounds are normal. Hard surfaces, like the floor, walls, and cabinets can make the sounds seem louder. The following describes the kinds of sounds and what may be making them.

- Your unit is designed to run more efficiently to keep your food items at the desired temperatures and to minimize energy usage. The high-efficiency compressor and fans may cause your unit to run longer than your old one. You may also hear a pulsating or high-pitched sound from the compressor or fans as they adjust to optimize performance.
- You may hear the evaporator fan motor circulating air through the refrigerator or freezer compartment. The fan speed may increase as you open the doors or add warm food.
- Rattling noises may come from the flow of refrigerant or items stored on top of the unit.
- Water dripping on the defrost heater during a defrost cycle may cause a sizzling sound.
- As each cycle ends, you may hear a gurgling sound due to the refrigerant flowing in your unit.
- Contraction and expansion of the inside walls may cause a popping noise.
- You may hear air being forced over the condenser by the condenser fan.
- You may hear water running into the drain pan during the defrost cycle.

Ensuring Proper Air Circulation

In order to ensure proper temperature, you need to permit proper airflow in the refrigerator or freezer. As shown in the illustration, cool air enters from the unit wall and moves down. The air then recirculates through the vent near the bottom.



Do not block any of these vents with food packages. If the vents are blocked, airflow will be restricted, and temperature and moisture problems may occur.

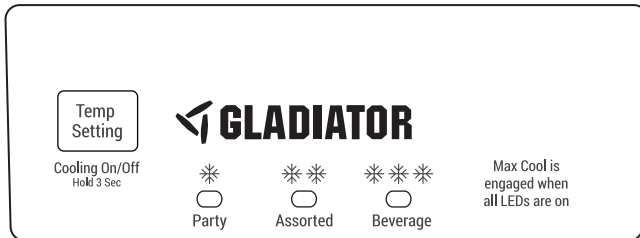
IMPORTANT: To avoid odor transfer and drying out of food, wrap or cover foods tightly.

Using the Refrigerator Control

The temperature control is located at the top front of the refrigerator compartment.

Temperature Control

When you first install your refrigerator, check that the control is set to the temperature that is desired for your food items.



There are three pre-set temperature buttons to choose from on your refrigerator:

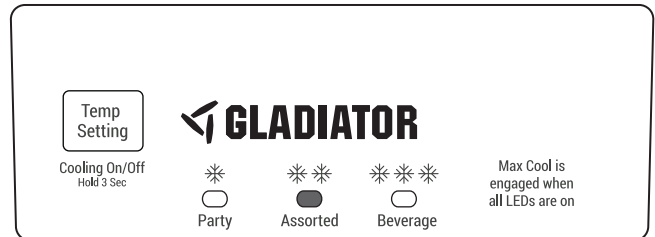
- **Party:** Sets refrigerator temperature at a level suitable for temporary loading of party platters or cold appetizers.
- **Assorted:** Multi-purpose setting accommodates a variety of refrigerated items.
- **Beverage:** Holds refrigerator at a lower temperature to keep beverages extra cold.

IMPORTANT:

- The Assorted setting is designed to maintain the temperature at or near 37°F (3°C) under normal operating conditions.
- Wait 24 hours before you put food into the refrigerator. If you add food before the refrigerator has cooled completely, your food may spoil.
NOTE: Adjusting the temperature set point to a colder than recommended setting will not cool the refrigerator any faster.
- If the temperature is too warm or too cold in the refrigerator, first check the air vents to be sure they are not blocked before adjusting the control.
- The control is set correctly when milk or juice is as cold as you like, but the Assorted setting should be correct for normal household usage.
- When the refrigerator is first started, the compressor will run constantly until the refrigerator is cooled. It may take up to 6 or 8 hours (or longer), depending on room temperature and the number of times the refrigerator door is opened. After the refrigerator is cooled, the compressor will turn on and off as needed to keep the refrigerator at the proper temperature.
- The outside of your refrigerator may feel warm. This is normal. The refrigerator's design and main function is to remove heat from packages and air space inside the refrigerator. The heat is transferred to the room air, making the outside of the refrigerator feel warm.

Adjusting Control

If you need to adjust the temperature in the refrigerator compartment, press TEMP SETTING to display the desired temperature setting. Choose from Party, Assorted, or Beverage.

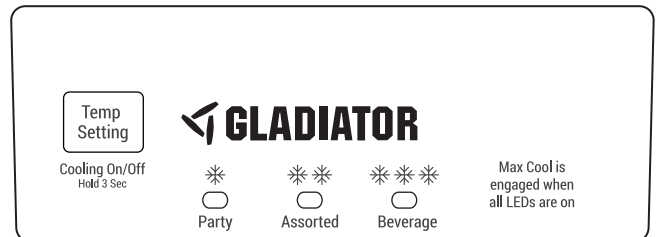


NOTE: When adjusting the control to a different setting, wait 24 hours between adjustments for the temperature to stabilize.

Cooling On/Off

Your refrigerator will not cool when cooling is turned off.

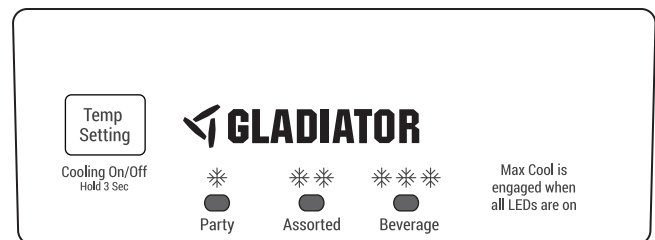
To turn cooling off, press and hold TEMP SETTING for 3 seconds. In the Off position, none of the lights on the control panel will be illuminated. The main refrigerator light bulb will still operate.



To turn cooling on, press and hold TEMP SETTING for 3 seconds. When cooling is on, the control panel lights will be illuminated.

Max Cool

Use this feature to assist with periods of high refrigerator use, such as full grocery loads or temporarily warm room temperature.



To activate Max Cool, press TEMP SETTING until all the snowflake icons are illuminated simultaneously.

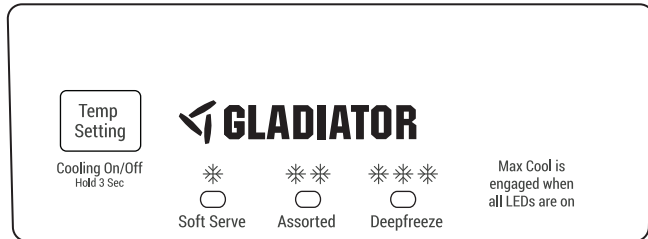
The refrigerator will remain in the Max Cool setting for 24 hours after the extra-low temperature is reached. Once the time has expired, the refrigerator will return to the previous temperature setting. Max Cool may be manually turned off by pressing Temp Setting to select the desired temperature setting from the snowflake on the left (least cold) to the snowflake on the right (coldest).

Using the Freezer Control

The temperature control is located at the top front of the freezer compartment.

Temperature Control

When you first install your refrigerator, check that the control is set to the temperature that is desired for your food items.



There are three pre-set temperature buttons to choose from on your freezer:

- **Soft Serve:** Raises freezer temperature slightly to create optimal conditions for serving ice cream.
- **Assorted:** Multi-purpose setting accommodates a variety of frozen items.
- **DeepFreeze:** Lowers freezer temperature for longer-term storage of frozen items.

IMPORTANT:

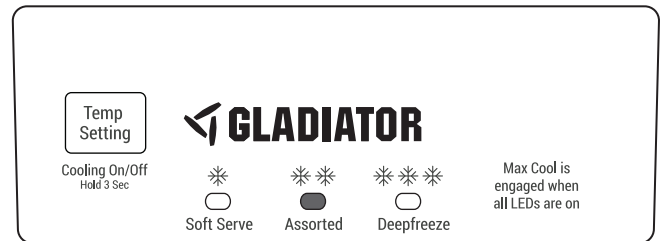
- The Assorted setting is designed to maintain the temperature at or near 0°F (-18°C) under normal operating conditions.
- Wait 24 hours before you put food into the freezer. If you add food before the freezer has cooled completely, your food may spoil.

NOTE: Adjusting the temperature set point to a colder than recommended setting will not cool the freezer any faster.

- If the temperature is too warm or too cold in the freezer, first check the air vents to be sure they are not blocked before adjusting the control.
- The Assorted setting should be correct for normal household usage. The control is set correctly when ice cream is firm.
- When the freezer is first started, the compressor will run constantly until the freezer is cooled. It may take up to 6 or 8 hours (or longer), depending on room temperature and the number of times the freezer door is opened. After the freezer is cooled, the compressor will turn on and off as needed to keep the freezer at the proper temperature.
- The outside of your freezer may feel warm. This is normal. The freezer's design and main function is to remove heat from packages and air space inside the freezer. The heat is transferred to the room air, making the outside of the freezer feel warm.

Adjusting Control

If you need to adjust the temperature in the freezer compartment, press TEMP SETTING to display the desired temperature setting. Choose from Soft Serve, Assorted, and Deepfreeze.

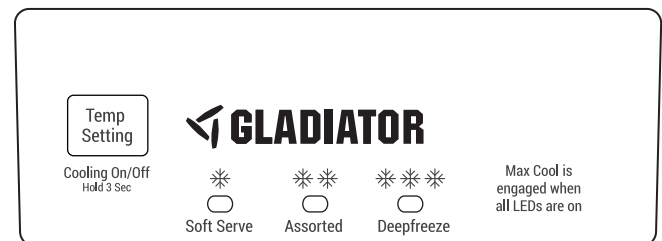


NOTE: When adjusting the control to a different setting, wait 24 hours between adjustments for the temperature to stabilize.

Cooling On/Off

Your freezer will not cool when cooling is turned off.

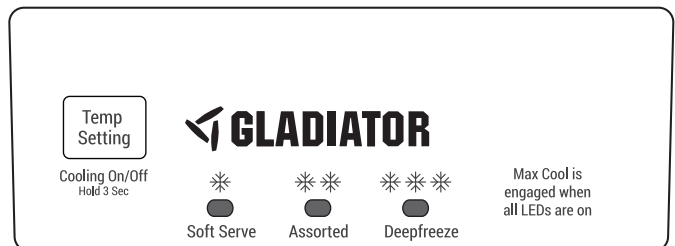
To turn cooling off, press and hold TEMP SETTING for 3 seconds. In the Off position, none of the lights on the control panel will be illuminated. The main freezer light bulb will still operate.



To turn cooling on, press and hold TEMP SETTING for 3 seconds. When cooling is on, the control panel lights will be illuminated.

Max Cool

Use this feature to assist with periods of high freezer use, such as full grocery loads or temporarily warm room temperature.



To activate Max Cool, press TEMP SETTING until all the snowflake icons are illuminated simultaneously.

The freezer will remain in the Max Cool setting for 24 hours after the extra-low temperature is reached. Once the time has expired, the freezer will return to the previous temperature setting. Max Cool may be manually turned off by pressing Temp Setting to select the desired temperature setting from the snowflake on the left (least cold) to the snowflake on the right (coldest).

CARING FOR YOUR REFRIGERATOR OR FREEZER

Registering Your Unit

There are many benefits of registering your product. Find out more and register your product online at www.gladiatorgarageworks.com. Consumers in Canada can call: 1-800-807-6777. Your product's model and serial numbers can be located on the serial sticker inside your unit.

Refrigerator and Freezer Features

Refrigerator and Freezer Shelves

The refrigerator will come with two deep, extra-thick glass shelves and one shallow solid metal shelf. Your freezer will come with two deep, heavy gauge wire shelves and one shallow heavy gauge wire shelf.

Store similar foods together and adjust the shelves to fit different heights. This reduces the time the refrigerator door is open and saves energy.

To Remove and Replace a Shelf:

1. Remove the shelf by lifting straight up, and pulling the shelf out.
2. Replace the shelf by lowering the shelf onto the supports on the side walls.

Half-Width and Full-Width Gallon Door Bins

To Remove and Replace a Bin:

1. Remove the bin by tipping the front of the bin forward and sliding out.
2. Replace the bin by sliding it in above the desired support, and then tilting it back into place.

Heavy Gauge Wire Baskets

The slide-out basket provides separate storage space for items that are difficult to store on freezer shelves. To remove the basket, pull out and lift up.

To Remove and Replace the Basket:

1. Remove the basket by tipping the front of the basket forward and sliding out.
2. Replace the basket by sliding it in above the desired support, and then tilting it back into place.

Pizza Zone (Freezer only)

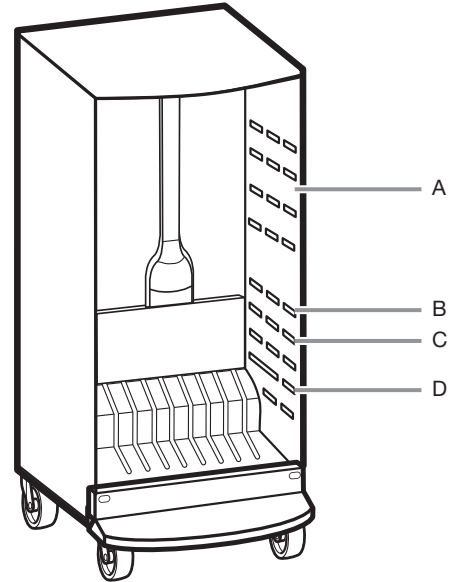
To Remove and Replace the Gate:

1. Remove the gate by lifting the top of the gate up and out of the supports.
2. Replace the gate to original position by lowering it into the supports.

Silver Tread Door Bin (Refrigerator only)

To Remove and Replace the Bin:

1. Remove the bin by lifting the top of the gate up and out of the supports.
2. Replace the bin to original position by lowering it into the supports.



- A. Deep extra thick glass or deep heavy gauge wire shelves
B. Shallow solid metal shelf or shallow heavy gauge wire shelf
C. Short heavy gauge wire basket
D. Tall heavy gauge wire basket

Cleaning Your Refrigerator or Auto-Defrosting Freezer

⚠ WARNING



Explosion Hazard

Use nonflammable cleaner.

Failure to do so can result in death, explosion, or fire.

Clean the refrigerator or freezer about once a month to keep odors from building up. Wipe up spills immediately.

To Clean Your Refrigerator or Freezer:

1. Press and hold TEMP SETTING for 3 seconds to turn off cooling.
2. Unplug the refrigerator or freezer or disconnect power.

3. Remove all removable parts from inside, such as shelves, crispers, etc.
4. Hand wash, rinse, and dry removable parts and interior surfaces thoroughly. Use a clean sponge or soft cloth and a mild detergent in warm water.
 - Do not use abrasive or harsh cleaners such as window sprays, scouring cleansers, flammable fluids, cleaning waxes, concentrated detergents, bleaches, or cleansers containing petroleum products on plastic parts, interior and door liners or gaskets. Do not use paper towels, scouring pads, or other harsh cleaning tools. These can scratch or damage materials.
 - To help remove odors, you can wash interior walls with a mixture of warm water and baking soda (2 tbs to 1 qt [26 g to 0.95 L] of water).
5. Replace removable parts.
6. Use the appropriate cleaning method for your exterior finish.

Painted Metal: Wash exterior door with a microfiber cloth and a mild detergent in warm water. For all other exterior surfaces, wash with a clean sponge or soft cloth and a mild detergent in warm water. Do not use abrasive or harsh cleaners or cleaners designed for stainless steel. Dry thoroughly with a soft cloth.

7. Clean the condenser coils regularly. Coils may need to be cleaned as often as every other month. This may help save energy.
 - Open the refrigerator or freezer door and remove the base grille by removing two Phillips head screws and pulling the grille toward you.
 - Use a vacuum with an extended attachment to clean the condenser coils when they are dusty or dirty.
 - Replace the base grille by aligning the ends of the grille with the leveling assemblies on each side and snapping the grille into place. Reinstall the screws.
8. Plug in the refrigerator or freezer or reconnect the power.
9. Set the temperature control to desired setting. See the “Using the Controls” sections.

Auto Defrost Freezer

Auto-defrost means that you will not have to defrost your freezer. Frost is removed by air moving and collecting any moisture and depositing it on the cooling coil. The cooling coil periodically warms up enough to melt the frost, and it then flows down to the drain pan (located behind the base grille) where it is evaporated.

Changing the Light Bulb

NOTE: Not all appliance bulbs will fit your refrigerator or freezer. Be sure to replace the bulb with an appliance bulb of the same size, shape, and wattage.

1. Unplug the refrigerator or freezer or disconnect the power.
2. Remove the light shield by squeezing the lens from the sides, pushing back and pulling down. Replace bulb with a maximum 40 watt appliance bulb or an LED bulb rated for wet/damp locations.

NOTE: Some LED replacement light bulbs are not recommended for wet/damp environments. Refrigerator fresh food and freezer compartments are considered wet/damp environments. Read and follow all instructions on the LED packaging when replacing the factory-installed LED bulb. A replacement LED bulb can be purchased from an authorized dealer.

3. Replace the light shield.
4. Plug in the refrigerator or freezer or reconnect the power.

Power Interruptions

If the power will be out for 24 hours or less, keep the door closed to help food stay cold and frozen.

If the power will be out for more than 24 hours, consume or can perishable food at once.

REMEMBER: If the condition of the food is poor, dispose of it.

Vacation and Moving Care

Vacations

If you choose to leave the refrigerator or freezer on while you're away, use up any perishables and freeze other items.

If you choose to turn the refrigerator or freezer off before you leave, follow these steps:

1. Remove all food from the refrigerator or freezer.
2. Turn the control to the off position. See the “Using the Controls” section.
3. Clean the refrigerator or freezer, wipe it, and dry well.
4. Tape rubber or wood blocks to the tops of both doors to prop them open far enough for air to get in. This stops odor and mold from building up.

Moving

When you are moving your refrigerator or freezer to a new home, follow these steps to prepare it for the move.

1. Remove all food from the refrigerator or freezer.
2. Turn the control to the off position. See the “Using the Controls” section.
3. Unplug the refrigerator or freezer.
4. Empty water from the defrost pan.
5. Clean, wipe, and dry thoroughly.
6. Take out all removable parts, wrap them well, and tape them together so they don't shift and rattle during the move.
7. Tape the doors shut and tape the power cord to the unit cabinet.
8. Unlock the casters to roll away the unit.

When you get to your new home, put everything back and refer to the “Installing Your Refrigerator or Freezer” section for preparation instructions.

TROUBLESHOOTING

First try the solutions suggested here. If you need further assistance or more recommendations that may help you avoid a service call, refer to the warranty page in this manual and scan the code there with your mobile device, or visit www.whirlpool.com/product_help for recommendations that may help you avoid a service call. In Canada, visit <http://www.whirlpool.ca>.

Contact us by mail with any questions or concerns at the address below:

In the U.S.A.:

Whirlpool Brand Home Appliances
Customer eXperience Center
553 Benson Road
Benton Harbor, MI 49022-2692


In Canada:

Whirlpool Brand Home Appliances
Customer eXperience Centre
200 – 6750 Century Ave.
Mississauga ON L5N 0B7

Please include a daytime phone number in your correspondence.

Refrigerator Operation

⚠ WARNING



Electrical Shock Hazard

Plug into a grounded 3 prong outlet.
 Do not remove ground prong.
 Do not use an adapter.
 Do not use an extension cord.
 Failure to follow these instructions can result in death, fire, or electrical shock.

⚠ WARNING



Explosion Hazard

Use nonflammable cleaner.
 Failure to do so can result in death, explosion, or fire.

PROBLEM	RECOMMENDED SOLUTIONS
Refrigerator Will Not Operate	Check that it is plugged into a grounded 3 prong outlet. Check that the temperature control is turned on. Check that the refrigerator is not running an automatic defrost cycle. Replace the fuse or reset the circuit breaker. NOTE: If problems continue, contact an electrician.
Lights Do Not Work	Check that it is plugged into a grounded 3 prong outlet. Check that the light bulb is tight in the socket and is not burned out.
Water in Defrost Drain Pan	It is normal for water to drip into the defrost drain pan when refrigerator is defrosting. When humidity is high, it is normal for water in the defrost pan to take longer to evaporate.
Motor Seems to Run Too Much	Check that the door closes properly. Adding a large amount of food warms the refrigerator, causing the unit to run longer to cool back down. If this is the situation, wait approximately 6 to 8 hours to allow the refrigerator to reach the correct temperature. Get all needed items out at one time, keep food organized, and close the door as soon as possible. Check that the condenser coils are clean. Check that space around refrigerator meets air circulation requirements. See the “Location Requirements” section. Warmer than normal room temperature will cause the motor to run longer. NOTE: If none of the above is true, your new refrigerator will run longer than your old one due to its high-efficiency motor.
Temperature is Too Warm	Check that air vents are clear. See the “Ensuring Proper Air Circulation” section for air vent locations. Get all needed items out at one time, keep food organized, and close the door as soon as possible. Adding a large amount of food warms the refrigerator, causing the refrigerator to run longer to cool back down. Check that the temperature control is set correctly for surrounding conditions.
The Door Will Not Close Completely or Is Difficult To Open	Check that there are no food packages blocking the door. On some models, check that the crisper covers, pans, shelves, bins, and baskets are in the correct position. Check that gaskets are clean. See the “Caring for Your Refrigerator or Freezer” section. Check that the refrigerator is stable.
Noisy	The sounds may be normal. See the “Normal Sounds” section.
Refrigerator Makes Loud Buzzing/Clicking Sound	Adding a large amount of food warms the refrigerator. It can take several hours for the refrigerator to return to normal temperature.

Freezer Operation

⚠ WARNING



Electrical Shock Hazard

Plug into a grounded 3 prong outlet.
Do not remove ground prong.
Do not use an adapter.
Do not use an extension cord.
Failure to follow these instructions can result in death, fire, or electrical shock.

⚠ WARNING



Explosion Hazard

Use nonflammable cleaner.
Failure to do so can result in death, explosion, or fire.

PROBLEM	RECOMMENDED SOLUTIONS
Freezer Will Not Operate	Check that it is plugged into a grounded 3 prong outlet. Check that the temperature control is turned on. Check that the freezer is not running an Automatic Defrost cycle. Replace the fuse or reset the circuit breaker. NOTE: If problems continue, contact an electrician.
Lights Do Not Work	Check that it is plugged into a grounded 3 prong outlet. Check that the light bulb is tight in the socket and is not burned out.
Water in Defrost Drain Pan	It is normal for water to drip into the defrost drain pan when the freezer is defrosting. When humidity is high, it is normal for water in the defrost pan to take longer to evaporate.
Motor Seems to Run Too Much	Check that the door closes properly. Defrost and clean the freezer to remove excessive frost. Adding a large amount of food warms the freezer, causing the freezer to run longer to cool back down. If this is the situation, wait approximately 6 to 8 hours to allow the freezer to reach the correct temperature. Get all needed items out at one time, keep food organized, and close the door as soon as possible. Check that the condenser coils are clean. Check that the door gasket is sealed all the way around. If not, contact a qualified technician. Check that space around freezer meets air circulation requirements. See the "Location Requirements" section. NOTE: If none of the above is true, your new freezer will run longer than your old one due to its high-efficiency motor.
Temperature Is Too Warm	Check that air vents are clear. See the "Ensuring Proper Air Circulation" section for air vent locations. Get all needed items out at one time, keep food organized, and close the door as soon as possible. Adding a large amount of food warms the freezer, causing the freezer to run longer to cool back down. Check that the temperature control is set correctly for surrounding conditions.
The Door Will Not Close Completely or Is Difficult to Open	Check that there are no food packages blocking the door. On some models, check that the shelves and baskets are in the correct position. Check that gaskets are clean. See the "Caring for Your Refrigerator or Freezer" section. Check that the freezer is stable.
Freezer Makes Loud Buzzing/ Clicking Sound	Adding a large amount of food warms the freezer. It can take several hours for the freezer to return to normal temperature.

GLADIATOR® MAJOR APPLIANCE LIMITED WARRANTY

ATTACH YOUR RECEIPT HERE. PROOF OF PURCHASE IS REQUIRED TO OBTAIN WARRANTY SERVICE.

Please have the following information available when you call the Customer eXperience Center:

- Name, address, and telephone number
- Model number and serial number
- A clear, detailed description of the problem
- Proof of purchase, including dealer or retailer name and address

IF YOU NEED SERVICE:

1. Before contacting us to arrange service, please determine whether your product requires repair. Some questions can be addressed without service. Please take a few minutes to review the Troubleshooting section of the Use and Care Guide or visit gladiatorgarageworks.com.
2. All warranty service is provided exclusively by our authorized Gladiator Service Providers. In the U.S. and Canada, direct all requests for warranty service to:

Gladiator Customer eXperience Center

In the U.S.A., call 1-800-253-1301. In Canada, call 1-800-807-6777.

If outside the 50 United States or Canada, contact your authorized Gladiator dealer to determine whether another warranty applies.

ONE YEAR LIMITED WARRANTY

WHAT IS COVERED

For one year from the date of purchase, when this major appliance is installed, operated, and maintained according to instructions attached to or furnished with the product, Whirlpool Corporation or Whirlpool Canada LP (hereafter "Gladiator") will pay for factory specified replacement parts and repair labor to correct defects in materials or workmanship that existed when this major appliance was purchased or, at its sole discretion, replace the product. In the event of product replacement, your appliance will be warranted for the remaining term of the original unit's warranty period.

YOUR SOLE AND EXCLUSIVE REMEDY UNDER THIS LIMITED WARRANTY SHALL BE PRODUCT REPAIR AS PROVIDED HEREIN. Service must be provided by a Gladiator designated service company. This limited warranty is valid only in the United States or Canada and applies only when the major appliance is used in the country in which it was purchased. This limited warranty is effective from the date of original consumer purchase. Proof of original purchase date is required to obtain service under this limited warranty.

WHAT IS NOT COVERED

1. Commercial, non-residential, multiple-family use, or use inconsistent with published user, operator, or installation instructions.
2. In-home instruction on how to use your product.
3. Service to correct improper product maintenance or installation, installation not in accordance with electrical or plumbing codes, or correction of household electrical or plumbing (e.g., house wiring, fuses, or water inlet hoses).
4. Consumable parts (e.g., light bulbs, batteries, air or water filters, preservation solutions).
5. Defects or damage caused by the use of non-genuine Gladiator parts or accessories.
6. Conversion of products from natural gas or propane gas.
7. Damage from accident, misuse, abuse, fire, floods, acts of God, or use with products not approved by Gladiator.
8. Repairs to parts or systems to correct product damage or defects caused by unauthorized service, alteration, or modification of the appliance.
9. Cosmetic damage including scratches, dents, chips, and other damage to the appliance finishes, unless such damage results from defects in materials and workmanship and is reported to Gladiator within 30 days.
10. Discoloration, rust, or oxidation of surfaces resulting from caustic or corrosive environments including, but not limited to, high salt concentrations, high moisture or humidity, or exposure to chemicals.
11. Food or medicine loss due to product failure.
12. Pickup or delivery. This product is intended for in-home repair.
13. Travel or transportation expenses for service in remote locations where an authorized Gladiator servicer is not available.
14. Removal or reinstallation of inaccessible appliances or built-in fixtures (e.g., trim, decorative panels, flooring, cabinetry, islands, countertops, drywall) that interfere with servicing, removal, or replacement of the product.
15. Service or parts for appliances with original model/serial numbers removed, altered, or not easily determined.

The cost of repair or replacement under these excluded circumstances shall be borne by the customer.

DISCLAIMER OF IMPLIED WARRANTIES

IMPLIED WARRANTIES, INCLUDING ANY IMPLIED WARRANTY OF MERCHANTABILITY OR IMPLIED WARRANTY OF FITNESS FOR A PARTICULAR PURPOSE, ARE LIMITED TO ONE YEAR OR THE SHORTEST PERIOD ALLOWED BY LAW. Some states and provinces do not allow limitations on the duration of implied warranties of merchantability or fitness, so this limitation may not apply to you. This warranty gives you specific legal rights, and you also may have other rights that vary from state to state or province to province.

DISCLAIMER OF REPRESENTATIONS OUTSIDE OF WARRANTY

Gladiator makes no representations about the quality, durability, or need for service or repair of this major appliance other than the representations contained in this warranty. If you want a longer or more comprehensive warranty than the limited warranty that comes with this major appliance, you should ask Gladiator or your retailer about buying an extended warranty.

LIMITATION OF REMEDIES: EXCLUSION OF INCIDENTAL AND CONSEQUENTIAL DAMAGES

YOUR SOLE AND EXCLUSIVE REMEDY UNDER THIS LIMITED WARRANTY SHALL BE PRODUCT REPAIR AS PROVIDED HEREIN. GLADIATOR SHALL NOT BE LIABLE FOR INCIDENTAL OR CONSEQUENTIAL DAMAGES. Some states and provinces do not allow the exclusion or limitation of incidental or consequential damages, so these limitations and exclusions may not apply to you. This warranty gives you specific legal rights, and you also may have other rights that vary from state to state or province to province.

ÍNDICE

SEGURIDAD DEL REFRIGERADOR Y EL CONGELADOR	20
Cómo deshacerse adecuadamente de un refrigerador o congelador viejo.....	21
CÓMO INSTALAR EL REFRIGERADOR O CONGELADOR.....	22
Desempaque.....	22
Limpieza antes del uso	22
Requisitos de ubicación	22
Herramientas	22
Requisitos eléctricos.....	23
Cómo retirar la puerta de la unidad	23
Cómo volver a colocar la puerta de la unidad	23
Cómo invertir la puerta de la unidad	24
Cómo instalar las ruedas de alta resistencia y los pedales Silver Tread.....	25
CÓMO OPERAR EL REFRIGERADOR O CONGELADOR.....	28
Sonidos normales.....	28
Cómo asegurar la debida circulación de aire	28
Cómo usar el control del refrigerador.....	29
Cómo usar el control del congelador	30
CUIDADO DEL REFRIGERADOR O CONGELADOR.....	31
Cómo registrar la unidad	31
Características del refrigerador y el congelador.....	31
Cómo limpiar el refrigerador o el congelador autodescongelante	31
Cómo cambiar el foco	32
Cortes de corriente.....	32
Cuidado durante las vacaciones y las mudanzas	33
SOLUCIÓN DE PROBLEMAS.....	33
Funcionamiento del refrigerador.....	34
Funcionamiento del congelador	35
GARANTÍA DE LOS ELECTRODOMÉSTICOS PRINCIPALES GLADIATOR® GARAGEWORKS	36

SEGURIDAD DEL REFRIGERADOR Y EL CONGELADOR

Su seguridad y la seguridad de los demás es muy importante.

Hemos incluido muchos mensajes importantes de seguridad en este manual y en su electrodoméstico. Lea y obedezca siempre todos los mensajes de seguridad.



Este es el símbolo de alerta de seguridad.

Este símbolo le llama la atención sobre peligros potenciales que pueden ocasionar la muerte o una lesión a usted y a los demás.

Todos los mensajes de seguridad irán a continuación del símbolo de advertencia de seguridad y de la palabra "PELIGRO" o "ADVERTENCIA". Estas palabras significan:

⚠ PELIGRO

Si no sigue las instrucciones de inmediato, usted puede morir o sufrir una lesión grave.

⚠ ADVERTENCIA

Si no sigue las instrucciones, usted puede morir o sufrir una lesión grave.

Todos los mensajes de seguridad le dirán el peligro potencial, le dirán cómo reducir las posibilidades de sufrir una lesión y lo que puede suceder si no se siguen las instrucciones.

INSTRUCCIONES IMPORTANTES DE SEGURIDAD

ADVERTENCIA: Para reducir el riesgo de incendio, choque eléctrico, o lesiones personales al usar su refrigerador siga estas precauciones básicas:

- Conecte a un contacto de pared de conexión a tierra de 3 terminales.
- No quite la terminal de conexión a tierra.
- No use un adaptador.
- No use un cable eléctrico de extensión.
- Desconecte el suministro de energía antes de darle servicio.
- Vuelva a colocar todos los componentes y paneles antes de hacerlo funcionar.
- Use un limpiador no inflamable.
- Mantenga los materiales y vapores inflamables, tales como gasolina, alejados del refrigerador.
- Use dos o más personas para mover e instalar el refrigerador.
- Quite las puertas o la tapa de su congelador o refrigerador viejo.
- Este aparato no ha sido diseñado para ser usado por personas (incluidos niños) con capacidad física, sensorial o mental reducida, o con falta de experiencia y conocimiento, a menos que lo hagan bajo supervisión o siguiendo las instrucciones relativas al uso del aparato, a cargo de una persona responsable por su seguridad.
- Los niños deberán estar bajo supervisión para asegurarse de que no jueguen con el electrodoméstico.

CONSERVAR ESTAS INSTRUCCIONES

Advertencias de la Proposición 65 del estado de California:

ADVERTENCIA: Este producto contiene una o más sustancias químicas identificadas por el estado de California como causantes de cáncer.

ADVERTENCIA: Este producto contiene una o más sustancias químicas identificadas por el estado de California como causantes de defectos congénitos o algún otro tipo de daños en la función reproductora.

Cómo deshacerse adecuadamente de un refrigerador o congelador viejo

⚠ ADVERTENCIA

Peligro de Asfixia

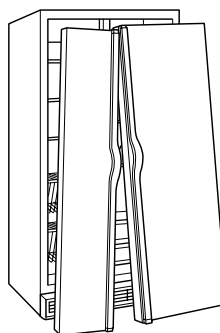
Remueva las puertas de su refrigerador viejo.

No seguir esta instrucción puede ocasionar la muerte o daño al cerebro.

Información importante para saber acerca del desecho de refrigerantes:

Deshágase del refrigerador siguiendo los reglamentos federales y locales. Los refrigerantes deberán ser evacuados por un técnico certificado en refrigeración por EPA (Agencia de protección del medioambiente) según los procedimientos establecidos.

IMPORTANTE: El atrapamiento y la asfixia de los niños no son problemas del pasado. Los refrigeradores y congeladores desechados o abandonados siguen siendo peligrosos, incluso si van a dejarse “por unos pocos días”. Si está por deshacerse de su refrigerador o congelador viejo, siga estas instrucciones para ayudar a prevenir accidentes.



Antes de desechar su refrigerador o congelador viejo:

- Saque las puertas o la tapa.
- Deje los estantes en su lugar para que los niños no puedan introducirse con facilidad.

CÓMO INSTALAR EL REFRIGERADOR O CONGELADOR

Desempaque

⚠ ADVERTENCIA

Peligro de Peso Excesivo

Use dos o más personas para mover e instalar el refrigerador/congelador.

No seguir esta instrucción puede ocasionar una lesión en la espalda u otro tipo de lesiones.

- Retire y recicle o deseche todo el material de empaque, excepto los esquineros de espuma, que se usarán para la instalación.
- Quite los restos de cinta y adhesivo de las superficies antes de encender el refrigerador o el congelador. Frote un poco de detergente líquido para vajilla sobre el adhesivo con los dedos. Limpie con agua tibia y seque.
- No use instrumentos filosos, alcohol para fricciones, líquidos inflamables o limpiadores abrasivos para eliminar los restos de cinta o de adhesivo porque pueden dañar la superficie del refrigerador o congelador. Para obtener más información, vea la sección "Seguridad".

Cómo mover su refrigerador:

Su refrigerador es pesado. Cuando mueva el refrigerador para limpiarlo o para darle servicio, cerciórese de cubrir el piso con cartón o madera para evitar daños en el mismo. Al mover el refrigerador, siempre tire directamente hacia afuera. No menee el refrigerador de lado a lado ni lo haga "caminar" cuando lo trate de mover ya que podría dañar el piso.

Limpieza antes del uso

Una vez que haya quitado todos el material de empaque, limpie el interior del refrigerador o congelador antes de usarlo. Consulte las instrucciones de limpieza en la sección "Cuidado de su refrigerador o congelador".

Información importante para saber acerca de los estantes y tapas de vidrio:

No limpie los estantes y tapas de vidrio con agua caliente mientras están fríos. Los estantes y tapas pueden romperse si se exponen a cambios bruscos de temperatura o impacto, como sería un golpe brusco. El vidrio templado se ha diseñado para hacerse añicos. Esto es normal. Los estantes y tapas de vidrio son muy pesados. Use ambas manos al sacarlos para evitar que se caigan.

Requisitos de ubicación

⚠ ADVERTENCIA



Peligro de Explosión

Mantenga los materiales y vapores inflamables, tales como gasolina, alejados del refrigerador.

No seguir esta instrucción puede ocasionar la muerte, explosión, o incendio.

Ventilación y holgura

- Mantenga los materiales y vapores inflamables, como la gasolina, alejados de la unidad.
 - No cubra la unidad con artículos como frazadas, sábanas, manteles, etc. porque eso reduce la circulación del aire.
- Para asegurar una ventilación adecuada para el refrigerador o congelador, deje un espacio de 1/2" (12,7 cm) a cada lado y por encima. Si se instala el refrigerador o congelador próximo a una pared fija, deje como mínimo 2" (5,08 cm) del lado de la bisagra (algunos modelos requieren más) para permitir que la puerta abra bien.

Temperatura

- El refrigerador y el congelador están diseñados para soportar temperaturas de entre 0°F (-17°C) y 110°F (43°C) y mantener su funcionamiento.
- Sin embargo, el refrigerador no está equipado con un calentador. Si va a usar el refrigerador en un área donde las temperaturas descienden por debajo del ajuste de temperatura interna del refrigerador, la temperatura interna del refrigerador descenderá.
- Cuando las temperaturas externas llegan a 32°F (0°C) o menos, el contenido del refrigerador puede congelarse, de manera que revise con frecuencia los alimentos y bebidas para comprobar que no estén congelados, estén frescos y conserven su buen sabor cuando use el refrigerador en lugares fríos. Si almacena contenido susceptible a congelación, le recomendamos mover dicho contenido a un refrigerador dentro de la casa antes de que quede expuesto a temperaturas de congelación.
- Cuanto más elevada sea la temperatura de la habitación, más demorará la unidad en enfriarse hasta llegar a la temperatura del punto de ajuste cuando se agreguen alimentos.

Traslado a la ubicación final

NOTA: Este refrigerador o congelador puede instalarse al lado de otro congelador o refrigerador. Deje un espacio de 1" (2,54 cm) detrás del refrigerador o congelador y un espacio de 1/4" (6,4 cm) entre los electrodomésticos.

Herramientas

Reúna las herramientas necesarias antes de comenzar el ensamblaje.

- Llave de cubo hexagonal de 5/16"
- Llave de cubo hexagonal de 3/8"
- Cuchillo plano para masilla de 2"
- Destornillador Phillips
- Llave de 1/2"
- Destornillador TORX® T25†
- Destornillador TORX® T40†
- Llave de combinación de 3/8"

Herramientas útiles:

- Destornillador eléctrico
- Trinquete de 3/8"

†®TORX, T25® y T40® son marcas comerciales registradas de Acument Intellectual Properties, LLC.

Requisitos eléctricos

⚠️ ADVERTENCIA



Peligro de Choque Eléctrico

Conecte a un contacto de pared de conexión a tierra de 3 terminales.

No quite el terminal de conexión a tierra.

No use un adaptador.

No use un cable eléctrico de extensión.

No seguir estas instrucciones puede ocasionar la muerte, incendio o choque eléctrico.

Antes de mover el refrigerador o el congelador a su ubicación final, es importante asegurarse de tener la conexión eléctrica adecuada.

Método de conexión a tierra recomendado

Se requiere un suministro eléctrico de 115 voltios, 60 Hz, CA solamente, con fusibles de 15 o 20 amperios, debidamente conectado a tierra. Se recomienda utilizar un circuito separado que alimente solo el refrigerador o el congelador. Use un tomacorriente que no se pueda apagar con un interruptor. No use un cable eléctrico de extensión.

NOTA: Antes de realizar cualquier tipo de instalación, limpieza o cambio de un foco de luz, mantenga presionado TEMP SETTING (Ajuste de temperatura) durante 3 segundos para desactivar el enfriamiento y, después, desconecte el refrigerador o el congelador del suministro eléctrico.

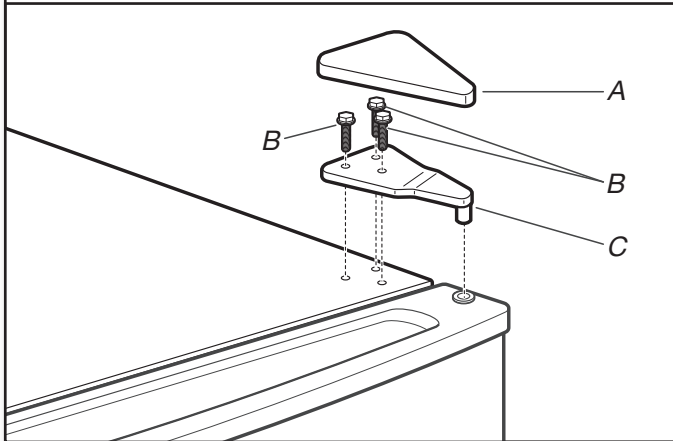
Cómo retirar la puerta de la unidad (opcional)

Esta unidad viene de fábrica con una puerta que se abre hacia la derecha. Si desea invertir a un giro hacia la izquierda, siga estos pasos.

IMPORTANTE:

- Según el ancho de la abertura, es posible que deba retirar la manija o la puerta para poder introducir la unidad en su hogar.
- Todas las ilustraciones a las que se hace referencia en las siguientes instrucciones se incluyen más adelante en esta sección después de la sección "Pasos finales". Si se invierte el sentido de abertura de la puerta, la ilustración puede estar invertida.
- Antes de comenzar, gire el control hasta Off (Apagado), retire los alimentos y la puerta o los recipientes de uso general de la puerta.

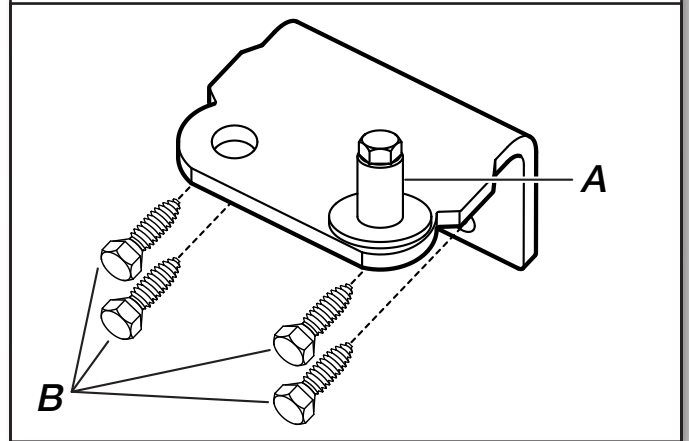
1. Retire las piezas de las bisagras y la puerta



- A. Cubierta de bisagra superior
- B. Tornillos de bisagra de cabeza hexagonal de 5/16"
- C. Bisagra superior

Desenchufe el refrigerador o el congelador o desconecte el suministro de energía. Mantenga la puerta de la unidad cerrada hasta que esté listo para levantarla y quitarla del gabinete. Retire las piezas de la bisagra superior. Levante y quite la puerta del refrigerador de la bisagra inferior y el gabinete y déjela a un lado.

2. Retire las piezas de la bisagra inferior



- A. Pasador de bisagra
- B. Tornillos de bisagra de cabeza hexagonal de 3/8"

Retire los cuatro tornillos de bisagra de cabeza hexagonal y el conjunto de la bisagra inferior.

NOTA: Mientras quita las bisagras, siempre disponga de un soporte adicional para la puerta. No se confíe en que los imanes de las puertas vayan a sostener la puerta en su lugar mientras trabaja.

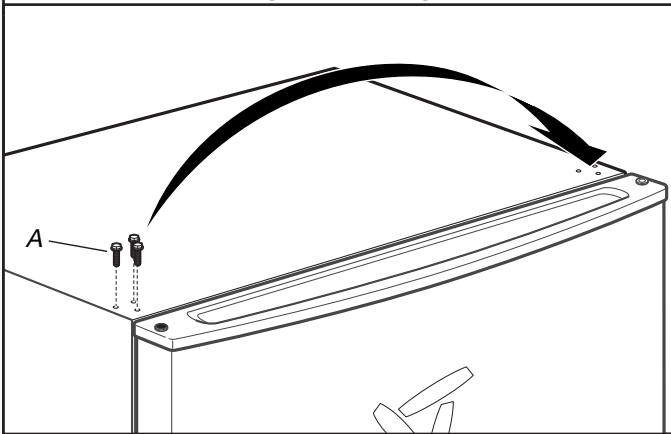
Cómo volver a colocar la puerta de la unidad (opcional)

Vuelva a colocar las piezas de la bisagra inferior del paso 2 en la unidad. Después, vuelva a colocar el resto de las piezas de las bisagras y la puerta del paso 1.

Cómo invertir la puerta de la unidad (opcional)

Consulte los pasos 1 y 2 de la sección "Cómo retirar la puerta de la unidad".

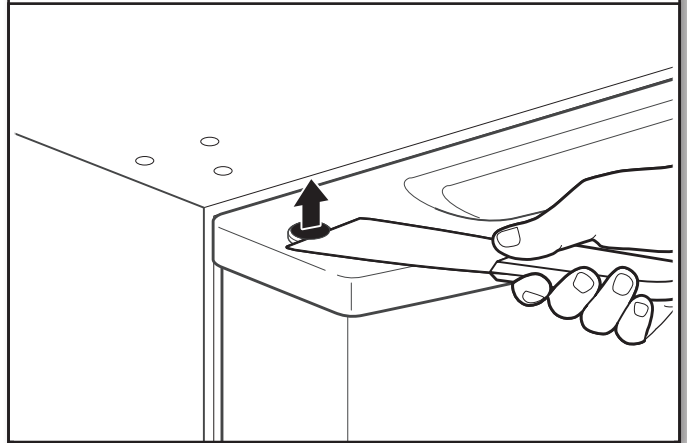
3. Retire los tapones de los orificios de las bisagras del gabinete



A. Tapones de orificios de bisagras del gabinete

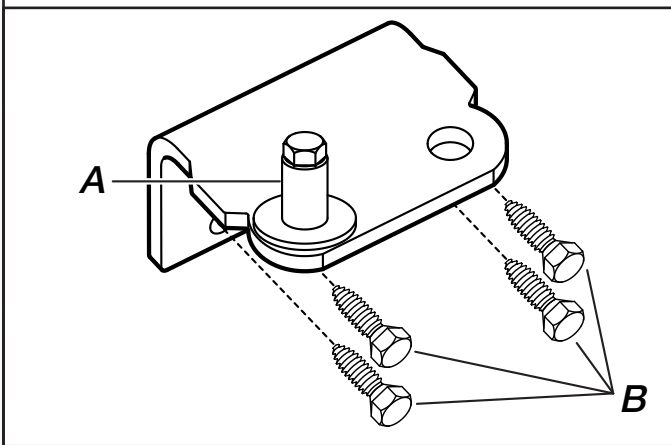
Con el cuchillo para masilla, retire los tapones de los orificios de las bisagras de la parte superior del gabinete y colóquelos en los orificios de las bisagras del lado opuesto. Si alguno se rompe, hay piezas de repuesto en el kit de material impreso.

4. Retire los tapones de la puerta



Con el cuchillo para masilla, retire los tapones de los orificios de la puerta. Coloque el cuchillo para masilla entre el tapón negro y la base transparente y haga palanca hacia afuera; coloque el tapón en el orificio del lado opuesto de la puerta.

5. Vuelva a colocar la bisagra inferior



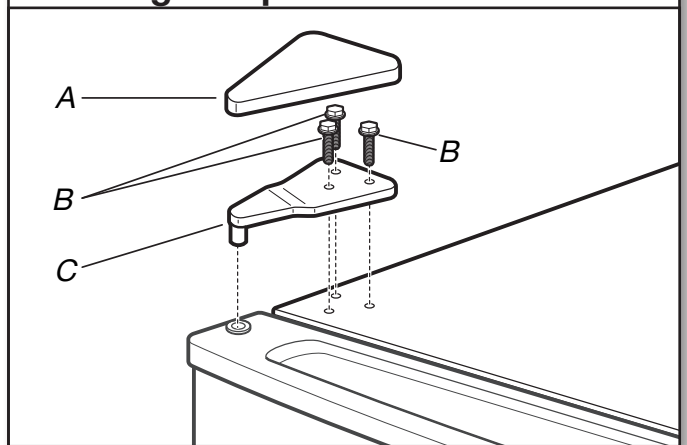
A. Pasador de la bisagra inferior
B. Tornillos de bisagra de cabeza hexagonal de 3/8"

Vuelva a colocar los cuatro tornillos de bisagra de cabeza hexagonal de 3/8" en el lado opuesto, como se muestra, y apriete los tornillos.

NOTA: Únicamente en la puerta con sentido invertido, cambie el pasador de la bisagra inferior después de cambiar el lado del soporte.

Use el sacatuercas de 5/16" para cambiar el pasador de la bisagra inferior (A) al orificio opuesto y apriete, como se muestra.

6. Vuelva a colocar la puerta y la bisagra superior



A. Cubierta de bisagra superior
B. Tornillos de bisagra de cabeza hexagonal de 5/16"
C. Bisagra superior

Vuelva a colocar la puerta en el pasador de la bisagra inferior del paso anterior.

NOTA: Mientras quita las bisagras, siempre disponga de un soporte adicional para la puerta. No se confíe en que los imanes de las puertas vayan a sostener la puerta en su lugar mientras trabaja.

Ensamble las piezas de la bisagra superior como se muestra en la ilustración anterior. Apriete los tornillos por completo.

Revise todos los orificios para cerciorarse de que los tapones de los orificios y los tornillos estén en su lugar. Vuelva a instalar la cubierta de la bisagra superior.

Cómo instalar las ruedas de alta resistencia y los pedales Silver Tread

NOTA: Antes de instalar el pedal, regule la dirección de abertura de la puerta, si lo desea.

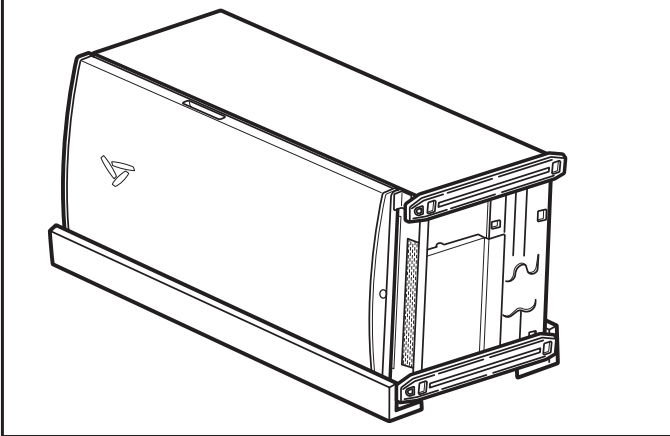
! ADVERTENCIA

Peligro de Peso Excesivo

Use dos o más personas para mover e instalar el refrigerador/congelador.

No seguir esta instrucción puede ocasionar una lesión en la espalda u otro tipo de lesiones.

1. Preparación

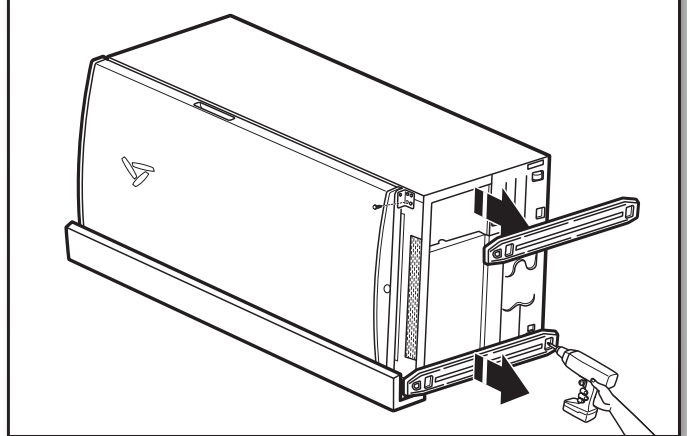


Vuelva a colocar el esquinero de espuma en el lado sin bisagras y, después, coloque la unidad sobre el costado encima de un cartón u otro material de protección. Cérchese de que la bisagra de la puerta esté mirando hacia arriba.

IMPORTANTE: Es importante que las bisagras de la puerta miren hacia arriba durante toda la instalación de las ruedas para garantizar que la puerta no se abra mientras se trabaja.

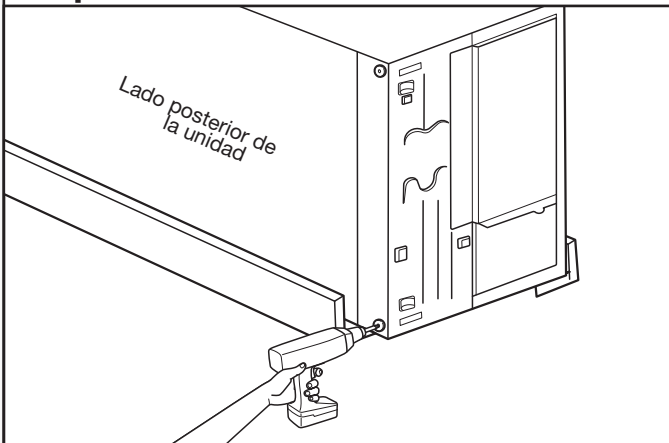
NOTA: Si se han desechado los esquineros de espuma, pueden utilizarse tablas de 2" x 4".

2. Retire los pernos de los patines



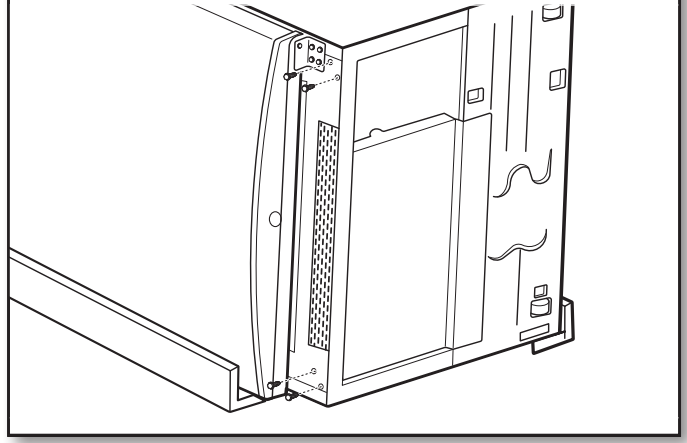
Con un sacatuercas de 5/16", retire los cuatro pernos de los patines (2 en cada lado) de la parte inferior frontal y trasera de la unidad. Retire los patines.

3. Retire los tornillos de la parte posterior



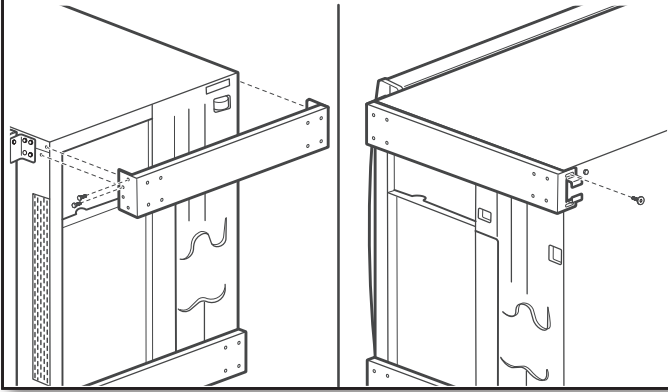
Rompa y retire las esquinas de los esquineros de espuma para poder acceder a los tornillos grandes del soporte de las ruedas en la parte posterior izquierda y derecha de la unidad. Retire los dos tornillos del soporte de las ruedas traseras con un destornillador TORX® T40®.

4. Retire los tornillos de soporte de cabeza hexagonal superiores e inferiores



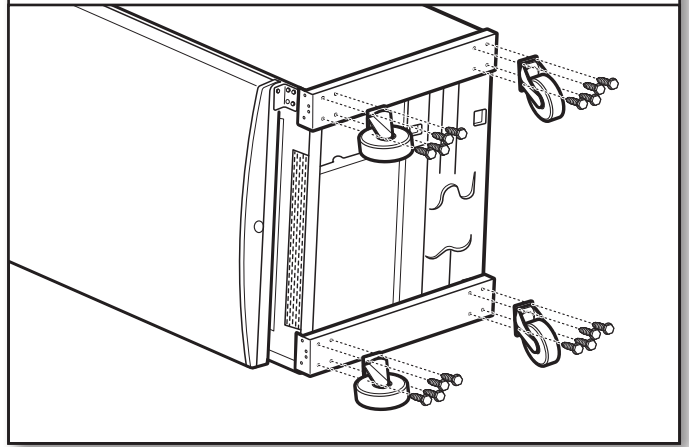
Retire los cuatro tornillos de soporte de cabeza hexagonal de 3/8" superiores e inferiores con un destornillador TORX® T25® o un sacatuercas de 3/8".

5. Instale los soportes de las ruedas



Alinee los soportes de las ruedas del lado derecho y enrosque los tornillos del soporte trasero con el destornillador TORX® T40® del paso 3. Empuje los soportes contra la parte inferior del refrigerador o el congelador para reinstalar los tornillos hexagonales superiores e inferiores con un destornillador TORX® T25® o un sacatuercas de 3/8". Repita el procedimiento para el lado izquierdo.

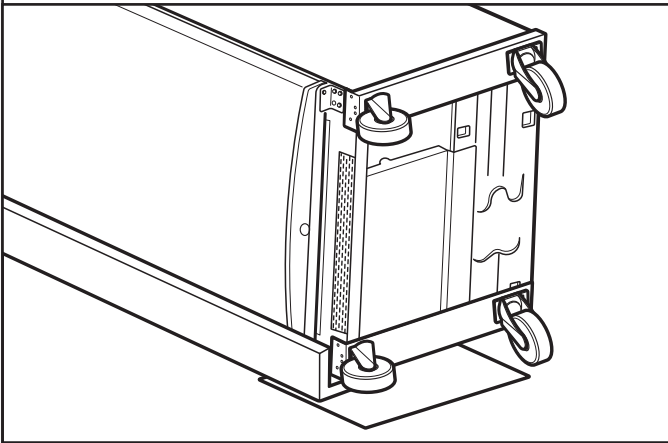
6. Instale las ruedas



Alinee una rueda frontal (con freno) con los orificios del soporte de la rueda. Asegúrese de que el freno mire hacia el exterior del producto. Inserte y apriete a mano los pernos de 1/2" de la rueda en cada uno de los cuatro orificios del soporte de la rueda. Una vez instalados los cuatro pernos de la rueda, apriételos con un trinquete o una llave de 1/2" con un prolongador. Repita la instalación con la otra rueda (con freno) frontal y las dos ruedas traseras (sin freno).

Consejo útil: Rote la rueda para tener acceso a la ubicación de los pernos.

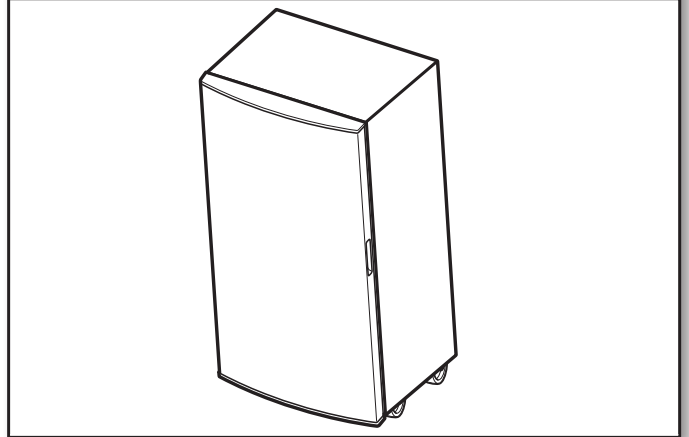
7. Trabe las ruedas frontales



Trabe las ruedas frontales e inserte un pequeño trozo de cartón entre el freno de la rueda y el piso. Esto ayudará a impedir que el freno frote contra el piso.

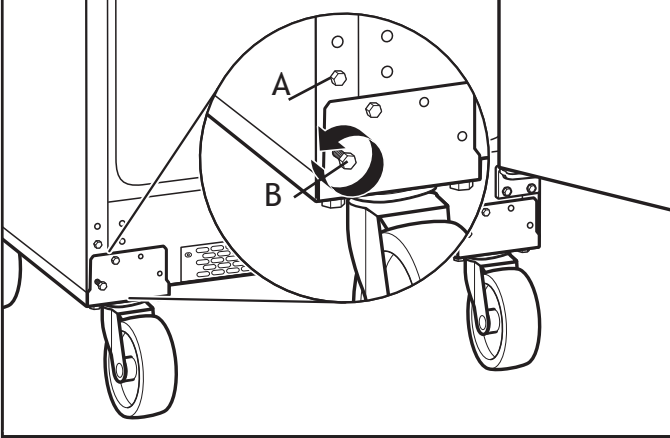
NOTA: Trabar las ruedas ayudará a impedir que el refrigerador o el congelador se mueva mientras se lo levanta.

8. Coloque la unidad en posición vertical



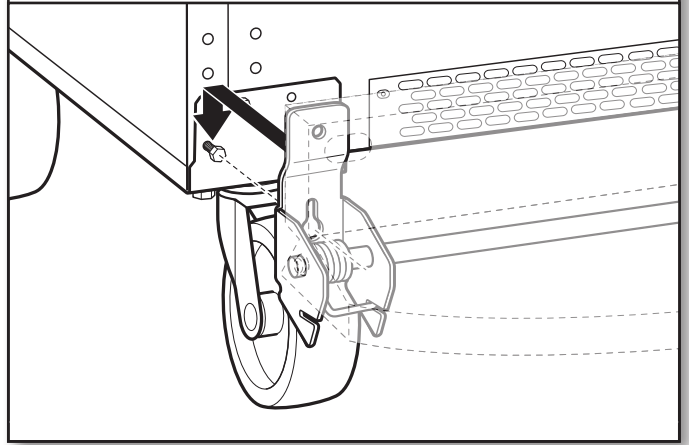
Coloque el refrigerador o el congelador en posición vertical.

9. Prepárese para la instalación del pedal



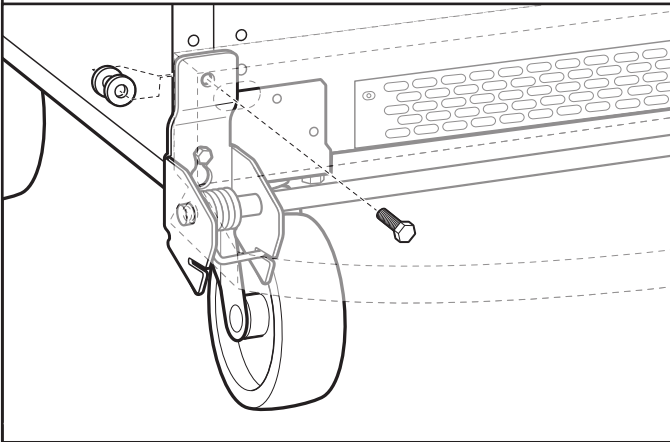
Abra la puerta del producto para facilitar el acceso al área del pedal. En ambos lados del producto, afloje el tornillo inferior de cabeza hexagonal de 3/8" del soporte (B), deje expuesto 1/4" de la rosca y retire por completo el tornillo superior de cabeza hexagonal de 3/8" del pedal (A).

10. Alinee y cuelgue el pedal



Alinee las piezas circulares de los chaveteros del pedal con los tornillos inferiores de cabeza hexagonal de 3/8" del soporte. Cuelgue el pedal de los tornillos inferiores del soporte. Si el chavetero no encaja por completo, afloje el perno hasta que encaje.

11. Reinstale el perno del pedal



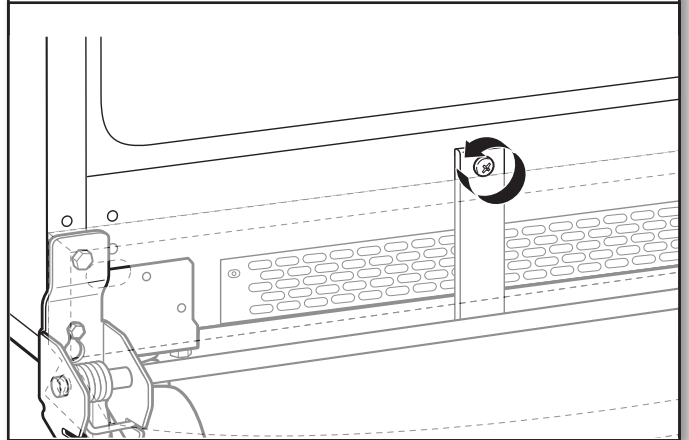
En el lado de las bisagras de la puerta, use un destornillador TORX® T25® o un sacatuercas de 3/8" para introducir el tornillo a través del orificio de montaje del soporte del pedal y apriételo sobre el gabinete.

En el lado sin bisagras, use un destornillador TORX® T25® o un sacatuercas de 3/8" para introducir el tornillo a través del orificio de montaje del soporte del pedal y dos separadores que se proveen apriételo sobre el gabinete.

Consejo útil: Si tiene problemas para instalar los dos separadores entre el soporte y el gabinete, fije con cinta adhesiva transparente el separador a la parte posterior del orificio de montaje del soporte del pedal antes de agregar los tornillos.

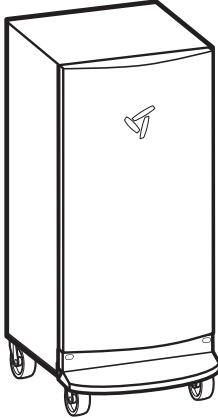
Apriete el segundo tornillo con una llave de 3/8" o un trinquete de 3/8".

12. Regule el tornillo actuador si lo desea



Use un destornillador Phillips para ajustar el tornillo actuador del pedal para regularlo a su gusto.

13. Coloque la unidad es la ubicación definitiva



⚠ ADVERTENCIA



Peligro de Choque Eléctrico

Conecte a un contacto de pared de conexión a tierra de 3 terminales.

No quite el terminal de conexión a tierra.

No use un adaptador.

No use un cable eléctrico de extensión.

No seguir estas instrucciones puede ocasionar la muerte, incendio o choque eléctrico.

Destrate las ruedas, haga rodar la unidad a la posición definitiva y vuelva a trabar las ruedas. Enchufe el refrigerador o el congelador en un tomacorriente de 3 terminales

NOTA: Si instala el refrigerador o el congelador sobre un piso desparejo, es posible que se requieran cuñas para impedir que la unidad ruede.

CÓMO OPERAR EL REFRIGERADOR O CONGELADOR

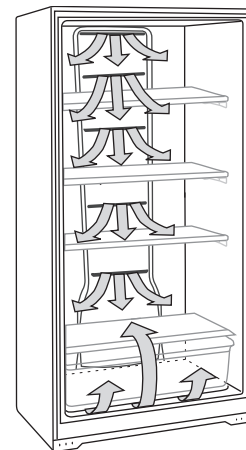
Sonidos normales

Su nuevo refrigerador o congelador puede hacer sonidos que el viejo no hacía. Esos sonidos podrían preocuparlo porque le resultan nuevos. La mayoría de los sonidos nuevos son normales. Las superficies duras como el piso, las paredes y los gabinetes pueden hacer que los sonidos parezcan más fuertes. A continuación se describen los tipos de sonidos y qué puede causarlos.

- Su unidad está diseñada para funcionar con más eficiencia para conservar los alimentos a la temperatura deseada y para minimizar el consumo de energía. El compresor y los ventiladores de alta eficiencia pueden causar que la nueva unidad funcione durante períodos más largos que la vieja. También es posible que oiga un sonido pulsante o agudo del compresor o los ventiladores mientras se regulan para optimizar el rendimiento.
- Puede ser que oiga el motor del ventilador del evaporador que hace circular el aire a través del compartimiento del refrigerador o del congelador. La velocidad del ventilador puede aumentar cuando se abren las puertas o se agregan alimentos tibios.
- Las vibraciones pueden provenir del flujo de refrigerante o de artículos almacenados encima de la unidad.
- El agua que gotea sobre el calentador descongelador durante el ciclo de descongelado puede causar sonidos de chisporroteos.
- Al final de cada ciclo, es posible que oiga un gorgoteo debido al flujo de refrigerante en la unidad.
- La contracción y la expansión de las paredes internas pueden causar un ruido de estallido.
- Es posible que oiga aire forzado por el ventilador del condensador sobre el condensador.
- Es posible que oiga agua corriendo hacia la bandeja colectora durante el ciclo de descongelado.

Cómo asegurar la debida circulación de aire

Para asegurar una temperatura adecuada, debe permitir un flujo de aire apropiado en el refrigerador o el congelador. Como se muestra en la ilustración, el aire frío entra por la pared del refrigerador y se mueve hacia abajo. Después, el aire vuelve a circular a través del orificio que está cerca de la base.



No bloquee estos orificios de ventilación con paquetes de alimentos. Si los orificios de ventilación están bloqueados, se obstruirá el flujo del aire y se pueden producir problemas de temperatura y humedad.

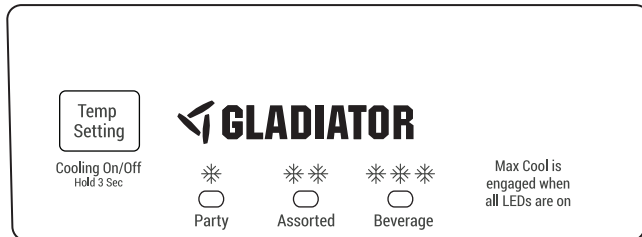
IMPORTANTE: Para evitar la transferencia de olores y la deshidratación de los alimentos, envuelva o tape bien los alimentos.

Cómo usar el control del refrigerador

El control de la temperatura está en la parte superior delantera del compartimiento del refrigerador.

Control de temperatura

Cuando instale inicialmente el refrigerador, asegúrese de que el control esté ajustado en la temperatura deseada para sus alimentos.



Hay tres botones de temperaturas prefijadas que se pueden elegir en el refrigerador:

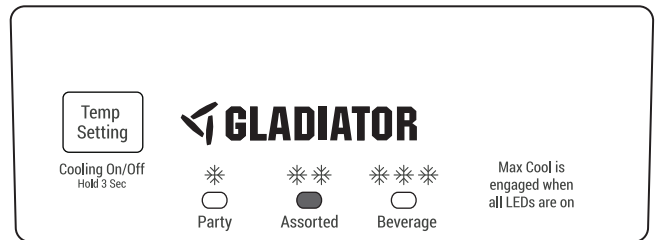
- **Party (Fiesta):** Ajusta la temperatura del refrigerador en un nivel adecuado para la carga temporal de fuentes o aperitivos fríos para una fiesta.
- **Assorted (Variado):** Ajuste multiuso que contempla diversos artículos refrigerados.
- **Beverage (Bebidas):** Mantiene el refrigerador a una temperatura menor para mantener las bebidas más frías.

IMPORTANTE:

- El ajuste variado está diseñado para mantener la temperatura aproximadamente a 37°F (3°C) en condiciones de funcionamiento normales.
- Espere 24 horas antes de colocar alimentos en el refrigerador. Si agrega alimentos antes de que el refrigerador se haya enfriado por completo, pueden echarse a perder.
NOTA: regular el punto de ajuste de la temperatura a un ajuste más frío que el recomendado no hará que el refrigerador se enfríe más rápido.
- Si la temperatura está demasiado caliente o demasiado fría en el refrigerador, antes de regular los controles revise primero los orificios de ventilación para cerciorarse de que no estén obstruidos.
- El control está ajustado correctamente cuando la leche o el jugo están tan fríos como se desean, pero el ajuste Assorted (Variado) debe ser el correcto para el uso normal de la casa.
- Cuando encienda el refrigerador por primera vez, el compresor funcionará constantemente hasta que el refrigerador se haya enfriado. Puede tardar hasta 6 u 8 horas (o más), según la temperatura ambiente y la cantidad de veces que se abra la puerta del refrigerador. Después de que el refrigerador se haya enfriado, el compresor se encenderá y se apagará según sea necesario para mantener el refrigerador a la temperatura correcta.
- Es posible que la parte exterior del refrigerador esté tibia al tacto. Esto es normal. El destino previsto del refrigerador y su función principal es extraer el calor de los paquetes y el espacio de aire dentro del refrigerador. El calor se transfiere al aire de la habitación, haciendo que el exterior del refrigerador se sienta tibio al tacto.

Cómo regular el control

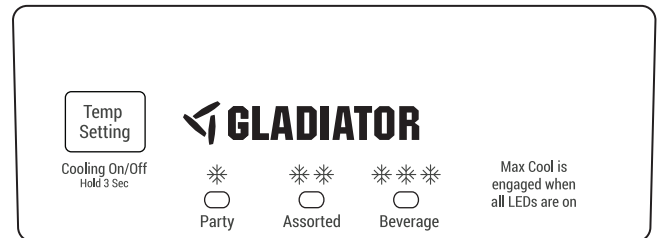
Si necesita regular la temperatura del compartimiento del refrigerador, presione TEMP SETTING (Ajuste de temperatura) para que aparezca en la pantalla el ajuste de temperatura deseado. Elija entre Party (Fiesta), Assorted (Variado), o Beverage (Bebidas).



NOTA: Al regular el control a otro ajuste, espere 24 horas entre los cambios para que la temperatura se estabilice.

Encendido/apagado del enfriamiento

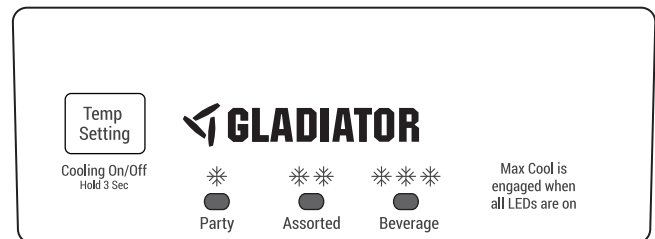
El refrigerador no enfriará cuando el enfriamiento esté apagado. Para apagar el enfriamiento, mantenga presionado TEMP SETTING (Ajuste de temperatura) durante 3 segundos. En la posición Off (Apagado), ninguna de las luces del panel de control estará iluminada. El foco de luz principal del refrigerador seguirá funcionando.



Para encender el enfriamiento, mantenga presionado TEMP SETTING (Ajuste de temperatura) durante 3 segundos. Cuando el enfriamiento está encendido, las luces del panel de control están iluminadas.

Max Cool (Frío máximo)

Use esta característica como ayuda en los períodos de uso intenso del refrigerador, como cargas completas de comestibles o temperaturas ambientales temporalmente altas.



Para activar Max Cool (Frío máximo), presione el botón TEMP SETTING (Ajuste de temperatura) hasta que todos los iconos con el símbolo del cristal de nieve se iluminen simultáneamente.

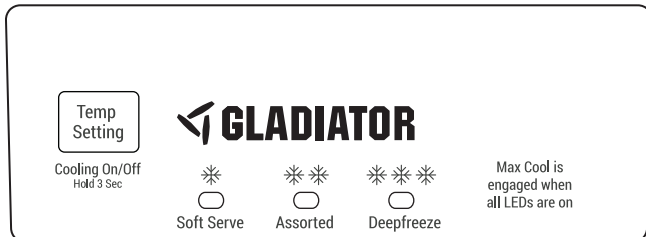
El refrigerador permanecerá en el ajuste Max Cool (Frío máximo) durante 24 horas después de alcanzar la temperatura extrabajada. Una vez transcurrido ese tiempo, el refrigerador volverá al ajuste de temperatura anterior. Para apagar manualmente el frío máximo, presione Temp Setting (Ajuste de temperatura) para seleccionar el ajuste de temperatura deseado del símbolo del cristal de nieve de la izquierda (menos frío) al símbolo del cristal de nieve de la derecha (frío máximo).

Cómo usar el control del congelador

El control de la temperatura está en la parte superior delantera del compartimiento del congelador.

Control de temperatura

Cuando instale inicialmente el refrigerador, asegúrese de que el control esté ajustado en la temperatura deseada para sus alimentos.



Hay tres botones de temperaturas prefijadas que se pueden elegir en el congelador:

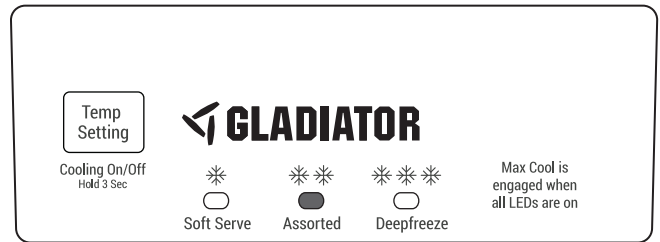
- **Soft Serve (Porciones blandas):** Aumenta ligeramente la temperatura del congelador para crear condiciones óptimas para servir helado.
- **Assorted (Variado):** Ajuste multiuso que contempla diversos artículos congelados.
- **Deepfreeze (Congelado profundo):** Disminuye la temperatura del congelador para conservar durante más tiempo artículos congelados.

IMPORTANTE:

- El ajuste variado está diseñado para mantener la temperatura aproximadamente a 0°F (-18°C) en condiciones de funcionamiento normales.
- Espere 24 horas antes de colocar alimentos en el congelador. Si agrega alimentos antes de que el congelador se haya enfriado por completo, podrían echarse a perder.
NOTA: Regular el punto de ajuste de la temperatura a un ajuste más frío que el recomendado no hará que el congelador se enfríe más rápido.
- Si la temperatura está demasiado caliente o demasiado fría en el congelador, antes de regular los controles revise primero los orificios de ventilación para cerciorarse de que no estén obstruidos.
- El ajuste de temperatura variado debe ser el correcto para un uso doméstico normal. El control está ajustado correctamente cuando el helado tiene consistencia firme.
- Cuando encienda el congelador por primera vez, el compresor funcionará constantemente hasta que se haya enfriado el congelador. Puede tardar hasta 6 u 8 horas (o más), según la temperatura ambiente y la cantidad de veces que se abra la puerta del congelador. Después de que el congelador se haya enfriado, el compresor encenderá y apagará, según se necesite, para mantener el congelador a la temperatura correcta.
- Es posible que la parte exterior del congelador esté tibia al tacto. Esto es normal. El diseño del congelador y su función principal es la de remover el calor de los paquetes y el espacio de aire dentro del congelador. El calor se transporta al aire de la habitación, haciendo que el exterior del congelador se sienta tibio al tacto.

Cómo regular el control

Si necesita regular la temperatura del compartimiento del congelador, presione TEMP SETTING (Ajuste de temperatura) para que aparezca en la pantalla el ajuste de temperatura deseado. Elija entre Soft Serve (Porciones blandas), Assorted (Variado), y DeepFreeze (Congelado profundo).

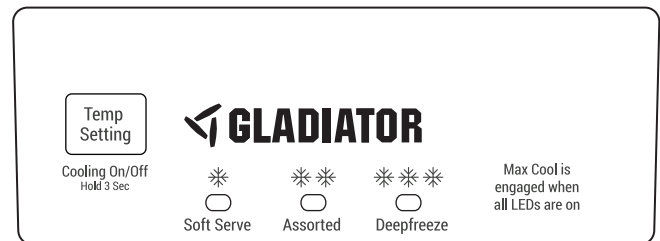


NOTA: Al regular el control a otro ajuste, espere 24 horas entre los cambios para que la temperatura se estabilice.

Encendido/apagado del enfriamiento

El congelador no enfriará cuando el enfriamiento esté apagado.

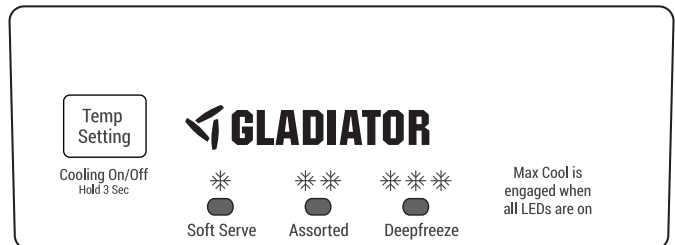
Para apagar el enfriamiento, mantenga presionado TEMP SETTING (Ajuste de temperatura) durante 3 segundos. En la posición Off (Apagado), ninguna de las luces del panel de control estará iluminada. El foco de luz principal del congelador seguirá funcionando.



Para encender el enfriamiento, mantenga presionado TEMP SETTING (Ajuste de temperatura) durante 3 segundos. Cuando el enfriamiento está encendido, las luces del panel de control están iluminadas.

Max Cool (Frío máximo)

Use esta característica como ayuda en los períodos de uso intenso del congelador, como cargas completas de comestibles o temperaturas ambientales temporalmente altas.



Para activar Max Cool (Frío máximo), presione el botón TEMP SETTING (Ajuste de temperatura) hasta que todos los iconos con el símbolo del cristal de nieve se iluminen simultáneamente.

El congelador permanecerá en el ajuste Max Cool (Frío máximo) durante 24 horas después de alcanzar la temperatura extrabaja. Una vez transcurrido ese tiempo, el congelador volverá al ajuste de temperatura anterior. Para apagar manualmente el frío máximo, presione Temp Setting (Ajuste de temperatura) para seleccionar el ajuste de temperatura deseado del símbolo del cristal de nieve de la izquierda (menos frío) al símbolo del cristal de nieve a la derecha (frío máximo).

CUIDADO DEL REFRIGERADOR O CONGELADOR

Cómo registrar la unidad

Registrar el producto ofrece muchos beneficios. Obtenga más información y registre el producto en línea en www.gladiatorgarageworks.com. Los consumidores en Canadá pueden llamar al: **1-800-807-6777**. Los números de modelo y de serie del producto pueden encontrarse en el adhesivo del número de serie en el interior de la unidad.

Características del refrigerador y el congelador

Estantes del refrigerador y el congelador

El refrigerador vendrá con dos estantes de vidrio profundos, extragruesos y un estante metálico sólido poco profundo. El congelador vendrá con dos estantes de alambre de calibre pesado y un estante de alambre de calibre pesado poco profundo. Guarde los alimentos similares juntos y ajuste los estantes para que se adapten a las diferentes alturas. Esto reduce el tiempo que la puerta del refrigerador está abierta a la vez que ahorra energía.

Para quitar y volver a colocar un estante:

1. Para retirar el estante, levante recto en sentido vertical y tire del estante hacia afuera.
2. Para volver a colocar el estante, descíndalo sobre los soportes de las paredes laterales.

Recipientes para puerta de un galón para la mitad del ancho y para el ancho completo

Para retirar y volver a colocar un recipiente:

1. Para retirar el recipiente, incline el frente hacia adelante y deslícelo hacia afuera.
2. Para volver a colocar el recipiente, deslícelo hacia adentro encima del soporte deseado e inclínelo nuevamente hasta colocarlo en su lugar.

Canastas de alambre de calibre pesado

La canasta deslizable proporciona un espacio separado para el almacenaje de artículos que son difíciles de guardar en los estantes del congelador. Para retirar la canasta, tire hacia fuera y levántela.

Para retirar y volver a colocar la canasta:

1. Para retirar la canasta, incline el frente hacia adelante y deslícela hacia afuera.
2. Para volver a colocar la canasta, deslícela hacia adentro encima del soporte deseado e inclínela nuevamente hasta colocarla en su lugar.

Pizza Zone (Zona para pizzas, solo en el congelador)

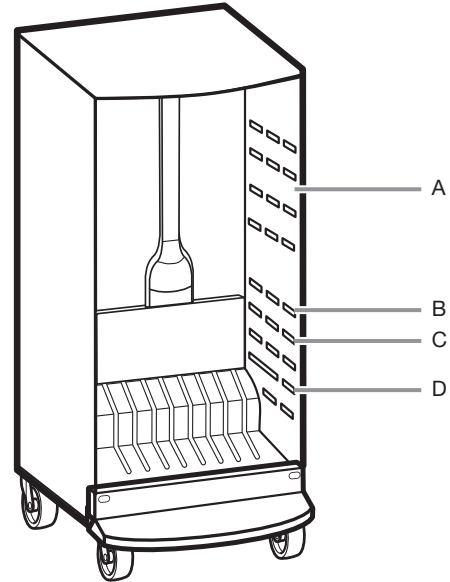
Para retirar y volver a colocar la compuerta:

1. Para retirar la compuerta, levante ligeramente la parte superior y retírela de los soportes.
2. Para volver a colocar la compuerta en su posición original, descíndala encima de los soportes.

Recipiente para puerta Silver Tread (únicamente en el refrigerador)

Para retirar y volver a colocar el recipiente:

1. Para retirar el recipiente, levante la parte superior y retírelo de los soportes.
2. Para volver a colocar el recipiente en su posición original, descíndalo encima de los soportes.



- A. Estantes profundos de vidrio extragrueso o de alambre de calibre pesado
- B. Estante poco profundo de metal sólido o de alambre de calibre pesado
- C. Canasta baja de alambre de calibre pesado
- D. Canasta alta de alambre de calibre pesado

Cómo limpiar el refrigerador o el congelador autodescongelante

⚠ ADVERTENCIA



Peligro de Explosión

Use un limpiador no inflamable.

No seguir esta instrucción puede ocasionar la muerte, explosión o incendio.

Limpie el refrigerador o el congelador aproximadamente una vez al mes para evitar la acumulación de olores. Limpie los derrames de inmediato.

Para limpiar el refrigerador o el congelador

1. Mantenga presionado TEMP SETTING (Ajuste de temperatura) durante 3 segundos para apagar el enfriamiento.
2. Desenchufe el refrigerador o el congelador o desconecte el suministro de energía.
3. Quite todas las partes desmontables del interior, tales como estantes, compartimientos para verduras, etc.

4. Lave a mano, enjuague y seque todas las partes desmontables y las superficies interiores meticulosamente. Use una esponja limpia o un paño liso y un detergente suave en agua tibia.
 - No use productos de limpieza abrasivos o ásperos, como rociadores para ventanas, productos de limpieza para pulir, líquidos inflamables, ceras para limpieza, detergentes concentrados, blanqueadores o productos de limpieza que contengan sustancias derivadas del petróleo en las piezas plásticas, el interior y los revestimientos de las puertas ni en las juntas. No use toallas de papel, estropajos para fregar u otros utensilios de limpieza ásperos, porque pueden rayar o dañar los materiales.
 - Para ayudar a eliminar olores, puede lavar las paredes interiores con una mezcla de agua tibia y bicarbonato de sodio (2 cucharadas en un cuarto de galón [26 g en 0,95 L] de agua).
5. Vuelva a colocar las piezas desmontables.
6. Use el método de limpieza adecuado para el acabado exterior de su congelador..

Metal pintado: Lave la puerta exterior con un paño de microfibra y un detergente suave en agua tibia. Para todas las demás superficies exteriores, lave con una esponja limpia o un paño liso y un detergente suave en agua tibia. No use productos de limpieza abrasivos o ásperos ni productos de limpieza diseñados para acero inoxidable. Seque meticulosamente con un paño suave.

7. Limpie los serpentines del condensador regularmente. es posible que los deba limpiar cada dos meses. Esto puede ayudar a ahorrar energía.
 - Abra la puerta del refrigerador o del congelador, quite los 2 tornillos Phillips de la rejilla de la base y tire de la rejilla hacia usted.
 - Use una aspiradora con extensión para limpiar los serpentines del condensador siempre que estén sucios o polvorientos.
 - Para volver a colocar la rejilla de la base, alinee los extremos de la rejilla con los conjuntos niveladores que hay a cada lado y encaje la rejilla a presión en su lugar. Vuelva a instalar los tornillos.
8. Desenchufe el refrigerador o el congelador o desconecte el suministro de energía.
9. Fije el control de temperatura en el ajuste deseado. Vea las secciones "Uso de los Controles".

Congelador autodescongelante

Autodescongelante significa que nunca hay que descongelar el congelador. La escarcha se quita por medio del movimiento de aire y la recolección de la humedad y depositándola en el serpentín de enfriamiento. El serpentín de enfriamiento se calienta periódicamente lo suficiente como para derretir la escarcha, la cual fluye hacia abajo hasta la bandeja de drenaje (ubicada detrás de la rejilla de la base), donde se evapora.

Cómo cambiar el foco

NOTA: No todos los focos para electrodomésticos son adecuados para su refrigerador o congelador. Asegúrese de reemplazar el foco con otro foco para electrodomésticos de igual tamaño, forma y vatiaje.

1. Desenchufe el refrigerador o el congelador o desconecte el suministro de energía.
2. Para retirar la protección de la luz, oprima la lente de los lados, empuje hacia atrás y tire hacia abajo. Cambie el foco con uno para electrodomésticos de 40 vatios como máximo o con un foco LED clasificado para lugares húmedos/mojados.

NOTA: Algunos focos LED de reemplazo no se recomiendan para ambientes húmedos/mojados. Los compartimientos con alimentos frescos del refrigerador y del congelador se consideran ambientes húmedos/mojados. Lea y siga todas las instrucciones del envase del LED cuando reemplace el foco LED instalado de fábrica. Puede comprar un foco LED de reemplazo a un distribuidor autorizado.

3. Vuelva a colocar la pantalla de luz.
4. Desenchufe el refrigerador o el congelador o desconecte el suministro de energía.

Cortes de corriente

Si no va a haber electricidad por 24 horas o menos, mantenga la puerta cerrada para ayudar a que los alimentos se mantengan fríos y congelados.

Si el corte de electricidad va a durar más de 24 horas, consuma o envase los alimentos percederos de inmediato.

RECUERDE: Si el alimento no está en buenas condiciones, descártelo.

Cuidado durante las vacaciones y las mudanzas

Vacaciones

Si decide dejar el refrigerador o el congelador funcionando mientras está ausente, consuma todo lo perecedero y congele los otros artículos.

Si decide apagar el refrigerador o el congelador antes de irse, siga estos pasos:

1. Retire toda la comida del refrigerador o del congelador.
2. Gire el control hacia la posición apagado. Vea la sección "Uso de los Controles".
3. Limpie el refrigerador o el congelador, pásele un trapo y séquelo bien.
4. Fije con cinta adhesiva bloques de goma o de madera en la parte superior de ambas puertas para mantenerlas abiertas lo suficiente como para que ingrese aire. Esto evita que se acumulen olores y mohos.

Mudanza

Si va a mudar el refrigerador o el congelador a una casa nueva, siga estos pasos para prepararlo para la mudanza.

1. Retire toda la comida del refrigerador o del congelador.
2. Gire el control hacia la posición apagado. Vea la sección "Uso de los Controles".
3. Desenchufe el refrigerador o el congelador.
4. Vacíe el agua de la bandeja colectora.
5. Limpie, repase y seque meticulosamente.
6. Retire todas las piezas desmontables, envuélvalas bien y asegúrelas con cinta adhesiva para que no se sacudan durante la mudanza.
7. Sostenga las puertas cerradas y el cable pegados al gabinete de la unidad con cinta adhesiva.
8. Destrabe las ruedas para hacer rodar la unidad para trasladarla.

Cuando llegue a la casa nueva, ponga todo de nuevo y consulte la sección "Cómo instalar su refrigerador o congelador" para ver las instrucciones de preparación.

SOLUCIÓN DE PROBLEMAS

Pruebe primero las soluciones sugeridas aquí. Si necesita asistencia adicional o más recomendaciones que puedan ayudarle a evitar una llamada de servicio técnico, consulte la página de la garantía de este manual y escanee el código con su dispositivo móvil o visite www.whirlpool.com/product_help para ver recomendaciones que puedan ayudarle a evitar una visita de servicio técnico. En Canadá, visite <http://www.whirlpool.ca>.

Contáctenos por correo con sus preguntas o dudas a la dirección que aparece a continuación:

En Estados Unidos:

Whirlpool Brand Home Appliances
Customer eXperience Center
553 Benson Road
Benton Harbor, MI 49022-2692

Incluya en su correspondencia un número de teléfono en el que se le pueda localizar durante el día.

En Canadá:

Whirlpool Brand Home Appliances
Customer eXperience Centre
200 – 6750 Century Ave.
Mississauga ON L5N 0B7

Funcionamiento del refrigerador

⚠ ADVERTENCIA



Peligro de Choque Eléctrico

Conecte a un contacto de pared de conexión a tierra de 3 terminales.

No quite el terminal de conexión a tierra.

No use un adaptador.

No use un cable eléctrico de extensión.

No seguir estas instrucciones puede ocasionar la muerte, incendio o choque eléctrico.

⚠ ADVERTENCIA



Peligro de Explosión

Use un limpiador no inflamable.

No seguir esta instrucción puede ocasionar la muerte, explosión o incendio.

PROBLEMA	SOLUCIONES RECOMENDADAS
El refrigerador no funciona	<p>Verifique que esté enchufado en un tomacorriente de 3 terminales con conexión a tierra.</p> <p>Verifique que el control de temperatura esté encendido.</p> <p>Verifique que el refrigerador no esté funcionando en un ciclo de descongelado automático.</p> <p>Reemplace el fusible o restablezca el disyuntor.</p> <p>NOTA: Si los problemas continúan, contacte a un electricista.</p>
Las luces no funcionan	<p>Verifique que esté enchufado en un tomacorriente de 3 terminales con conexión a tierra.</p> <p>Verifique que el foco de luz esté apretado en el receptáculo y que no esté quemado.</p>
Hay agua en la bandeja colectora	<p>Es normal que caigan gotas de agua en la bandeja colectora cuando el refrigerador se esté descongelando.</p> <p>Cuando la humedad es alta, es normal que el agua de la bandeja colectora tarde más en evaporarse.</p>
El motor parece funcionar demasiado	<p>Verifique que la puerta cierre correctamente.</p> <p>Si se agrega gran cantidad de alimentos, el refrigerador se calienta y debe funcionar más tiempo para volver a enfriarse. en este caso, espere aproximadamente 6 a 8 horas para que el refrigerador alcance la temperatura correcta.</p> <p>Retire todo lo que necesite de una sola vez, mantenga los alimentos organizados y cierre la puerta lo más rápido posible.</p> <p>Verifique que los serpentines del condensador estén limpios.</p> <p>Verifique que el espacio alrededor del refrigerador cumpla con los requisitos de circulación de aire. Vea la sección "Requisitos de ubicación".</p> <p>Una temperatura superior a la temperatura ambiente normal hará que el motor funcione más tiempo.</p> <p>NOTA: Si no es ninguno de los casos anteriores, su nuevo refrigerador funcionará durante períodos más largos que el anterior debido al motor de alta eficiencia.</p>
La temperatura está demasiado elevada	<p>Verifique que los orificios de ventilación estén despejados. Vea la ubicación de estos orificios en la sección "Cómo asegurar la debida circulación del aire".</p> <p>Retire todo lo que necesite de una sola vez, mantenga los alimentos organizados y cierre la puerta lo más rápido posible.</p> <p>Si se agrega gran cantidad de alimentos, el refrigerador se calienta y debe funcionar más tiempo para volver a enfriarse.</p> <p>Verifique que el control de temperatura esté ajustado correctamente para las condiciones circundantes.</p>
La puerta no se cierra por completo o es difícil abrirla	<p>Verifique que no haya paquetes de alimentos que bloqueen la puerta.</p> <p>En algunos modelos, verifique que las tapas de los cajones para verduras, las bandejas, los estantes, los compartimientos y las canastas se encuentren en la posición correcta.</p> <p>Verifique que las juntas estén limpias. Consulte la sección "Cuidado de su refrigerador o congelador".</p> <p>Verifique que el refrigerador esté estable.</p>
Ruidos	<p>Los sonidos pueden ser normales. Consulte la sección "Sonidos normales".</p>
El refrigerador produce un sonido fuerte de zumbido/chasquido	<p>Agregar grandes cantidades de alimentos hace que se caliente el refrigerador. Pueden transcurrir varias horas para que el refrigerador recupere su temperatura normal.</p>

Funcionamiento del congelador

⚠ ADVERTENCIA



Peligro de Choque Eléctrico

Conecte a un contacto de pared de conexión a tierra de 3 terminales.

No quite el terminal de conexión a tierra.

No use un adaptador.

No use un cable eléctrico de extensión.

No seguir estas instrucciones puede ocasionar la muerte, incendio o choque eléctrico.

⚠ ADVERTENCIA



Peligro de Explosión

Use un limpiador no inflamable.

No seguir esta instrucción puede ocasionar la muerte, explosión o incendio.

PROBLEMA	SOLUCIONES RECOMENDADAS
El congelador no funciona	<p>Verifique que esté enchufado en un tomacorriente de 3 terminales con conexión a tierra.</p> <p>Verifique que el control de temperatura esté encendido.</p> <p>Verifique que el congelador no esté funcionando en un ciclo de descongelado automático.</p> <p>Reemplace el fusible o restablezca el disyuntor.</p> <p>NOTA: Si los problemas continúan, contacte a un electricista..</p>
Las luces no funcionan	<p>Verifique que esté enchufado en un tomacorriente de 3 terminales con conexión a tierra.</p> <p>Verifique que el foco de luz esté apretado en el receptáculo y que no esté quemado.</p>
Hay agua en la bandeja colectora	<p>Es normal que caigan gotas de agua en la bandeja de drenaje cuando el congelador se esté descongelando.</p> <p>Cuando la humedad es alta, es normal que el agua de la bandeja colectora tarde más en evaporarse.</p>
El motor parece funcionar demasiado	<p>Verifique que la puerta cierre correctamente.</p> <p>Descongele y limpie el congelador para eliminar el exceso de escarcha.</p> <p>Si se agrega gran cantidad de alimentos, el congelador se calienta y debe funcionar más tiempo para volver a enfriarse. en este caso, espere aproximadamente de 6 a 8 horas para que el congelador alcance la temperatura correcta.</p> <p>Retire todo lo que necesite de una sola vez, mantenga los alimentos organizados y cierre la puerta lo más rápido posible.</p> <p>Verifique que los serpentines del condensador estén limpios.</p> <p>Revise que la junta de la puerta esté sellada en todo el perímetro. De lo contrario, póngase en contacto con un técnico competente</p> <p>Verifique que el espacio alrededor del congelador cumpla con los requisitos de circulación de aire. Vea la sección "Requisitos de ubicación".</p> <p>NOTA: Si no es ninguno de los casos anteriores, su nuevo congelador funcionará durante períodos más largos que el anterior debido al motor de alta eficiencia.</p>
La temperatura está demasiado elevada	<p>Verifique que los orificios de ventilación estén despejados. Vea la ubicación de estos orificios en la sección "Cómo asegurar la debida circulación del aire".</p> <p>Retire todo lo que necesite de una sola vez, mantenga los alimentos organizados y cierre la puerta lo más rápido posible.</p> <p>Si se agrega gran cantidad de alimentos, el congelador se calienta y debe funcionar más tiempo para volver a enfriarse.</p> <p>Verifique que el control de temperatura esté ajustado correctamente para las condiciones circundantes..</p>
La puerta no se cierra por completo o es difícil abrirla	<p>Verifique que no haya paquetes de alimentos que bloqueen la puerta.</p> <p>En algunos modelos, verifique que los estantes y las canastas se encuentren en la posición correcta.</p> <p>Verifique que las juntas estén limpias. Consulte la sección "Cuidado de su refrigerador o congelador".</p> <p>Verifique que el congelador esté estable.</p>
El congelador produce un sonido fuerte de zumbido/chasquido	<p>Agregar grandes cantidades de alimentos hace que se caliente el congelador. Pueden transcurrir varias horas para que el congelador recupere su temperatura normal.</p>

GARANTÍA LIMITADA DE LOS ELECTRODOMÉSTICOS PRINCIPALES DE GLADIATOR®

ADJUNTE SU RECIBO AQUÍ. SE REQUIERE LA PRUEBA DE COMPRA PARA OBTENER SERVICIO BAJO LA GARANTÍA.

Tenga a mano la siguiente información cuando llame al Centro para la experiencia del cliente:

- Nombre, dirección y número de teléfono
- Número de modelo y de serie
- Una descripción clara y detallada del problema
- Prueba de compra incluido el nombre y la dirección del distribuidor o vendedor

SI NECESITA SERVICIO TÉCNICO:

1. Antes de contactarnos para obtener servicio, determine si el producto requiere reparación. Algunas consultas pueden atenderse sin servicio técnico. Tómese unos minutos para revisar la sección de Solución de problemas del Manual de uso y cuidado, o visite gladiatorgarageworks.com.
2. Todos los servicios bajo la garantía los brindan exclusivamente Prestadores autorizados de servicio de Gladiator. Para EE. UU. y Canadá, dirija todas las solicitudes de servicio bajo la garantía a:

Centro para la eXperiencia del cliente de Gladiator

En EE. UU., llame al 1-800-253-1301. En Canadá, llame al 1-800-807-6777.

Si usted se encuentra fuera de los cincuenta Estados Unidos o Canadá, póngase en contacto con su distribuidor autorizado de Gladiator para determinar si corresponde otra garantía.

GARANTÍA LIMITADA DE UN AÑO

LO QUE ESTÁ CUBIERTO

Durante un año a partir de la fecha de compra, siempre y cuando este electrodoméstico principal haya sido instalado, mantenido y operado según las instrucciones adjuntas o provistas con el producto, Whirlpool Corporation o Whirlpool Canada LP (en lo sucesivo denominado "Gladiator") se hará cargo del costo de las piezas especificadas de fábrica y del trabajo de reparación para corregir defectos en los materiales o en la mano de obra existentes en el momento de la compra de este electrodoméstico principal o, a su sola discreción, reemplazará el producto. En el caso de reemplazar el producto, su electrodoméstico estará cubierto por la garantía por el tiempo restante del período de garantía de la unidad original.

SU ÚNICO Y EXCLUSIVO RECURSO SEGÚN LOS TÉRMINOS DE ESTA GARANTÍA LIMITADA SERÁ EL DE REPARAR EL PRODUCTO SEGÚN SE ESTIPULA EN LA PRESENTE. El servicio deberá ser suministrado por una compañía de servicio designada por Gladiator. Esta garantía limitada es válida solo en Estados Unidos o en Canadá y se aplica exclusivamente cuando el electrodoméstico principal se usa en el país en el que se ha comprado. Est garantía limitada entrará en vigor a partir de la fecha de la compra del consumidor original. Se requiere una prueba de la fecha de compra original para obtener servicio bajo esta garantía limitada.

LO QUE NO ESTÁ CUBIERTO

1. Uso comercial, no residencial o familiar múltiple o uso diferente del indicado en las instrucciones del usuario, del operador o de instalación publicadas.
2. Instrucción a domicilio sobre cómo usar el producto.
3. Servicio para corregir el mantenimiento o la instalación incorrecta del producto, la instalación que no esté de acuerdo con los códigos eléctricos o de plomería o corrección de plomería o instalación eléctrica doméstica (por ejemplo, instalación eléctrica, fusibles o mangueras de entrada de agua del hogar).
4. Piezas de consumo (por ejemplo, focos de luz, baterías, filtros de agua o de aire, soluciones de conservación).
5. Defectos o daños causados por el uso de piezas o accesorios no legítimos de Gladiator.
6. Conversión del producto de gas natural o gas propano.
7. Daño causado por accidente, uso indebido, abuso, incendio, inundación, actos fortuitos o el empleo de productos no aprobados por Gladiator.
8. Reparaciones a piezas o sistemas para corregir el daño o los defectos del producto a causa de reparaciones por servicio no autorizado, alteraciones o modificaciones en el electrodoméstico.
9. Daños estéticos, incluyendo rayaduras, abolladuras, desportilladuras u otro daño al acabado del electrodoméstico a menos que el mismo sea debido a defectos en los materiales o la mano de obra y se le informe a Gladiator en un lapso de 30 días.
10. Decoloración, herrumbre u oxidación de las superficies producto de entornos corrosivos o cáusticos que incluyen, entre otras cosas, altas concentraciones de sal, humedad elevada o exposición a productos químicos.
11. Pérdida de comida o medicamentos debido a la falla del producto.
12. Recogida o entrega. Este producto está destinado para ser reparado en su hogar.
13. Gastos de viaje o de transporte para prestar servicio en lugares remotos en los cuales no haya disponible un técnico de servicio autorizado por Gladiator.
14. Retiro o reinstalación de electrodomésticos en lugares inaccesibles o dispositivos empotrados (por ejemplo, adornos, paneles decorativos, pisos, armarios, islas, mostradores, paredes) que interfieran con el servicio, el retiro o el reemplazo del producto.
15. Servicio técnico o piezas para electrodomésticos con números de serie/modelo originales removidos, alterados o no identificados con facilidad.

El costo de la reparación o del reemplazo bajo estas circunstancias excluidas correrá por cuenta del cliente.

EXCLUSIÓN DE GARANTÍAS IMPLÍCITAS

LAS GARANTÍAS IMPLÍCITAS, INCLUYENDO CUALQUIER GARANTÍA IMPLÍCITA DE COMERCIABILIDAD O GARANTÍA IMPLÍCITA DE CAPACIDAD PARA UN PROPÓSITO PARTICULAR, SERÁN LIMITADAS A UN AÑO O AL PERÍODO MÁS CORTO PERMITIDO POR LEY. Algunos estados y provincias no permiten la limitación de la duración de las garantías implícitas de comerciabilidad o capacidad, de modo que la limitación arriba indicada quizá no le corresponda. Esta garantía le otorga derechos legales específicos y es posible que usted tenga también otros derechos que varían de un estado a otro o de una provincia a otra.

EXCLUSIÓN DE DECLARACIONES FUERA DE LA GARANTÍA

Gladiator no hace declaraciones acerca de la calidad, durabilidad o necesidad de servicio técnico o reparación de este electrodoméstico principal aparte de las declaraciones incluidas en esta garantía. Si usted desea una garantía con una duración más prolongada o más completa que la garantía limitada que se incluye con este electrodoméstico principal, deberá dirigirse a Gladiator o a su distribuidor acerca de la compra de una garantía extendida.

LIMITACIÓN DE RECURSOS; EXCLUSIÓN DE DAÑOS INCIDENTALES Y CONSECUENTES

SU ÚNICO Y EXCLUSIVO RECURSO SEGÚN LOS TÉRMINOS DE ESTA GARANTÍA LIMITADA SERÁ EL DE REPARAR EL PRODUCTO SEGÚN SE ESTIPULA EN LA PRESENTE. GLADIATOR NO SE RESPONSABILIZARÁ POR DAÑOS INCIDENTALES O CONSECUENTES. Algunos estados y provincias no permiten la exclusión o limitación de daños incidentales o consecuentes, de modo que estas limitaciones y exclusiones quizá no le correspondan. Esta garantía le otorga derechos legales específicos y es posible que usted tenga también otros derechos que varían de un estado a otro o de una provincia a otra.

TABLE DES MATIÈRES

SÉCURITÉ DU RÉFRIGÉRATEUR ET CONGÉLATEUR.....	38	ENTRETIEN DE VOTRE RÉFRIGÉRATEUR OU	
Mise au rebut de votre vieux réfrigéré ou congélateur	39	CONGÉLATEUR.....	49
INSTALLATION DU RÉFRIGÉRATEUR OU		Enregistrer votre appareil.....	49
DU CONGÉLATEUR.....	40	Caractéristiques du réfrigérateur et du congélateur	49
Déballage.....	40	Nettoyer le réfrigérateur ou dégivrage automatique	
Nettoyage avant utilisation	40	du congélateur.....	49
Exigences d'emplacement	40	Remplacer l'ampoule d'éclairage	50
Outils.....	40	Pannes de courant.....	50
Spécifications électriques.....	41	Précautions à prendre pour les vacances ou	
Enlever la porte de l'appareil	41	le déménagement	51
Replacer la porte de l'appareil.....	42	DÉPANNAGE	51
Inverser la porte de l'appareil	42	Fonctionnement du réfrigérateur	52
Installer les roulettes robustes et pédales		Fonctionnement du congélateur.....	53
texturées argentées	43	GARANTIE DES GROS APPAREILS MÉNAGERS	
UTILISER VOTRE RÉFRIGÉRATEUR OU CONGÉLATEUR....	46	GLADIATOR® GARAGEWORKS.....	54
Sons normaux.....	46		
Pour assurer une circulation d'air correcte.....	46		
Utiliser la commande du réfrigérateur	47		
Utiliser la commande du congélateur	48		

SÉCURITÉ DU RÉFRIGÉRATEUR ET CONGÉLATEUR

Votre sécurité et celle des autres est très importante.

Nous donnons de nombreux messages de sécurité importants dans ce manuel et sur votre appareil ménager. Assurez-vous de toujours lire tous les messages de sécurité et de vous y conformer.



Voici le symbole d'alerte de sécurité.

Ce symbole d'alerte de sécurité vous signale les dangers potentiels de décès et de blessures graves à vous et à d'autres.

Tous les messages de sécurité suivront le symbole d'alerte de sécurité et le mot "DANGER" ou "AVERTISSEMENT". Ces mots signifient :

⚠ DANGER

Risque possible de décès ou de blessure grave si vous ne suivez pas immédiatement les instructions.

⚠ AVERTISSEMENT

Risque possible de décès ou de blessure grave si vous ne suivez pas les instructions.

Tous les messages de sécurité vous diront quel est le danger potentiel et vous disent comment réduire le risque de blessure et ce qui peut se produire en cas de non-respect des instructions.

IMPORTANTES INSTRUCTIONS DE SÉCURITÉ

AVERTISSEMENT : Pour réduire les risques d'incendie, de choc électrique ou des blessures lors de l'utilisation du réfrigérateur, prendre quelques précautions fondamentales, y compris les suivantes :

- Brancher l'appareil sur une prise à 3 alvéoles reliée à la terre.
- Ne pas enlever la broche de liaison à la terre.
- Ne pas utiliser un adaptateur.
- Ne pas utiliser un câble de rallonge.
- Débrancher la source de courant électrique avant l'entretien.
- Replacer pièces et panneaux avant de faire la remise en marche.
- Utiliser un produit de nettoyage ininflammable.
- Garder les matériaux et les vapeurs inflammables, telle que l'essence, loin du réfrigérateur.
- Utiliser deux ou plus de personnes pour déplacer et installer le réfrigérateur.
- Enlever les portes ou le couvercle de votre vieux congélateur ou réfrigérateur
- Cet appareil ne convient pas à une utilisation par des personnes (y compris des enfants) à capacités physiques, sensorielles ou mentales réduites, ou possédant un manque d'expérience et de connaissances, à moins qu'elles ne soient placées sous supervision ou qu'elles aient reçu des instructions concernant l'utilisation de l'appareil par une personne responsable de leur sécurité.
- Les enfants doivent être placés sous surveillance afin de s'assurer qu'ils ne jouent pas avec l'appareil.

CONSERVEZ CES INSTRUCTIONS

Avertissements de la proposition 65 de l'État de Californie :

AVERTISSEMENT : Ce produit contient au moins un produit chimique connu par l'État de Californie pour être à l'origine de cancers.

AVERTISSEMENT : Ce produit contient au moins un produit chimique connu par l'État de Californie pour être à l'origine de malformations et autres déficiences de naissance.

Mise au rebut de votre vieux réfrigéré ou congélateur

⚠ AVERTISSEMENT

Risque de suffoquer

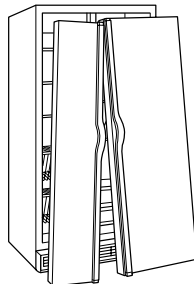
Enlever les portes de votre vieux réfrigérateur.

Le non-respect de cette instruction peut causer un décès ou des lésions cérébrales.

Renseignements importants à propos de la mise au rebut des fluides réfrigérants :

Mettre le réfrigérateur au rebut conformément à la réglementation fédérale et locale. Les fluides réfrigérants doivent être évacués par un technicien certifié et agréé par l'EPA conformément aux procédures établies.

IMPORTANT : Le risque qu'un enfant puisse se retrouver coincé et suffoquer n'est pas chose du passé. Les réfrigérateurs et congélateurs jetés ou abandonnés sont toujours dangereux, même s'ils ne restent à l'extérieur que pour "quelques jours seulement". Si vous vous débarrassez de votre vieux réfrigéré ou congélateur, veuillez suivre les instructions suivantes pour aider à éviter les accidents.



Avant de jeter votre vieux réfrigérateur ou congélateur :

- Enlever les portes.
- Laisser les tablettes en place de sorte que les enfants ne puissent pas y pénétrer facilement.

INSTALLATION DU RÉFRIGÉRATEUR OU DU CONGÉLATEUR

Déballage

⚠ AVERTISSEMENT

Risque du poids excessif

Utiliser deux ou plus de personnes pour déplacer et installer le réfrigérateur/congélateur.

Le non-respect de cette instruction peut causer une blessure au dos ou d'autre blessure.

- Enlever et recycler ou éliminer tous les matériaux d'emballage, sauf les cornières en mousse qui seront utilisées lors de l'installation.
- Enlever tout résidu de ruban adhésif et de colle des surfaces du réfrigéré ou du congélateur avant de le mettre en marche. À l'aide de votre doigt, frotter une petite quantité de savon liquide à vaisselle sur l'adhésif. Rincer à l'eau tiède et sécher.
- Ne pas utiliser d'instruments coupants, d'alcool à friction, de liquides inflammables ou de nettoyeurs abrasifs pour enlever le ruban adhésif ou la colle. Ces produits peuvent endommager la surface de votre réfrigérateur ou congélateur. Pour obtenir plus de renseignements, voir la section "Sécurité".

Déplacement de votre réfrigérateur :

Votre réfrigérateur est lourd. Lors du déplacement de votre réfrigérateur pour le nettoyage ou un entretien ou réparation, veiller à recouvrir le plancher avec du carton ou un panneau de fibres dures pour éviter qu'il ne subisse tout dommage. Toujours tirer le réfrigérateur tout droit lors de son déplacement. Ne pas incliner le réfrigérateur d'un côté ou de l'autre ni le "faire marcher" en essayant de le déplacer car le plancher pourrait être endommagé.

Nettoyage avant utilisation

Après avoir enlevé tous les matériaux d'emballage, nettoyer l'intérieur du réfrigérateur ou du congélateur avant de l'utiliser. Voir les instructions de nettoyage dans la section "Entretien de votre réfrigérateur ou congélateur".

Importants renseignements à savoir au sujet des tablettes et des couvercles en verre :

Ne pas nettoyer les tablettes ou couvercles en verre avec de l'eau tiède quand ils sont froids. Les tablettes et les couvercles peuvent se briser s'ils sont exposés à des changements soudains de température ou à un impact tel que coup brusque. Le verre trempé est conçu pour éclater en d'innombrables pièces minuscules. Ceci est normal. Les tablettes et les couvercles en verre sont lourds. Les saisir à deux mains lors de leur dépose afin d'éviter de les faire tomber.

Exigences d'emplacement

⚠ AVERTISSEMENT



Risque d'explosion

Garder les matériaux et les vapeurs inflammables, telle que l'essence, loin du réfrigérateur.

Le non-respect de cette instruction peut causer un décès, une explosion ou un incendie.

Ventilation et espace libre

- Garder les matières et les vapeurs inflammables, comme l'essence, loin de l'appareil.
- Ne pas couvrir l'appareil d'un drap, d'une couverture, d'une nappe, etc. pour ne pas réduire la circulation d'air.

Pour créer une aération appropriée pour votre réfrigérateur ou congélateur, laisser un espace de 1/2 po (12,7 mm) de chaque côté et au sommet. En cas d'installation du réfrigérateur ou congélateur près d'un mur fixe, laisser un minimum de 2 po (5,08 cm) du côté de la charnière (certains modèles nécessitent davantage d'espace) pour permettre à la porte de s'ouvrir sans obstruction.

Température

- Le réfrigérateur et le congélateur sont conçus pour fonctionner correctement à des températures entre 0 °F (-17 °C) et 110 °F (43 °C).
- Cependant, le réfrigérateur n'est pas muni d'un système de chauffage. La température à l'intérieur du réfrigérateur chutera s'il est utilisé dans un environnement où la température est inférieure au réglage de température interne de l'appareil.
- Lorsque la température externe atteint 32 °F (0 °C) ou moins, le contenu du réfrigérateur peut geler. Il sera donc nécessaire de surveiller régulièrement la congélation, la fraîcheur et le goût des aliments et boissons si le réfrigérateur est utilisé dans un environnement froid. Si des aliments sensibles au froid sont rangés dans le réfrigérateur, nous recommandons de déplacer ces aliments dans un réfrigérateur situé dans la maison avant qu'ils ne soient exposés à des températures de congélation.
- Plus la température de la pièce est élevée, plus il faut de temps à l'appareil pour revenir aux points de réglage de la température lors d'ajout d'aliments.

Lors du déplacement à l'emplacement final

REMARQUE : Ce réfrigérateur ou congélateur peut être installé côte à côte avec un autre réfrigérateur ou congélateur. Permettre un dégagement de 1 po (2,54 cm) derrière le réfrigérateur ou le congélateur et un dégagement de 1/4 po (0,64 cm) entre les appareils.

Outils

Rassembler les outils nécessaires avant de commencer l'assemblage :

- Clé à douille hexagonale de 5/16 po
- Clé à douille hexagonale de 3/8 po
- 2 couteaux à mastic plat de 2 po
- Tournevis à tête cruciforme
- Clé de 1/2 po
- Tournevis TORX® T25[†]
- Tournevis TORX® T40[†]
- Clé mixte de 3/8 po

Outils utiles :

- Tournevis électrique
- Clé à cliquet de 3/8 po

[†]TORX, T25[†] et T40[†] sont des marques déposées d'Acument Intellectual Properties, LLC.

Spécifications électriques

⚠ AVERTISSEMENT



Risque de choc électrique

Brancher sur une prise à 3 alvéoles reliée à la terre.

Ne pas enlever la broche de liaison à la terre.

Ne pas utiliser un adaptateur.

Ne pas utiliser un câble de rallonge.

Le non-respect de ces instructions peut causer un décès, un incendie ou un choc électrique.

Avant de placer le réfrigérateur ou le congélateur à son emplacement final, il est important de s'assurer d'avoir le raccordement électrique approprié.

Méthode de liaison à la terre recommandée

Chaque appareil doit être alimenté par un circuit à 115 V CA 60 Hz relié à la terre et protégé par un fusible de 15 A ou 20 A. Il est recommandé d'utiliser un circuit distinct pour alimenter le réfrigérateur ou le congélateur. Utiliser une prise de courant dont l'alimentation ne peut pas être interrompue par un interrupteur. Ne pas utiliser de rallonge.

REMARQUE : Avant de procéder à tout type d'installation, de nettoyage ou de changement d'une ampoule, appuyer sur TEMP SETTING (réglage de température) pendant 3 secondes pour désactiver le refroidissement, puis déconnecter le réfrigérateur ou le congélateur de la source de courant électrique.

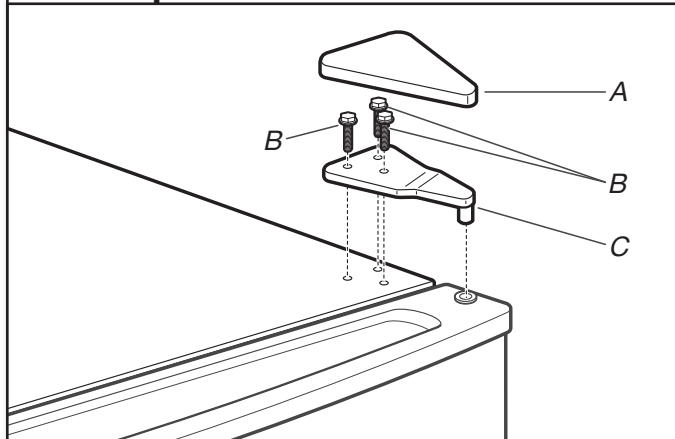
Enlever la porte de l'appareil (optionnel)

Cet appareil est produit en usine avec une porte qui ouvre vers la droite. Au besoin, suivre les étapes suivantes pour inverser le sens d'ouverture de la porte.

IMPORTANT :

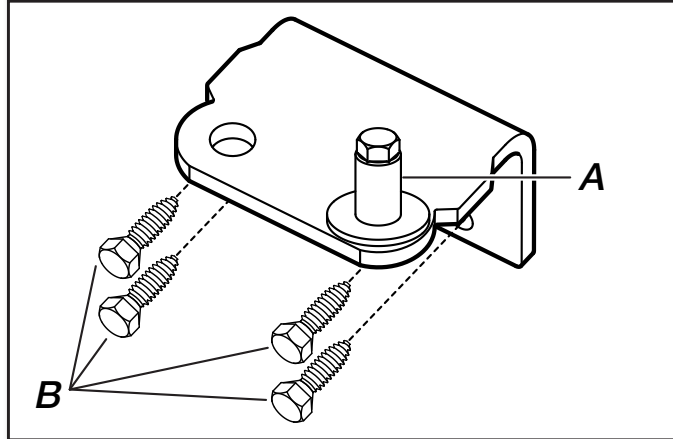
- En fonction de la largeur de l'ouverture, il faudra peut-être retirer la poignée ou la porte pour pouvoir introduire l'appareil dans le domicile.
- Toutes les illustrations de référence de ces instructions sont incluses plus loin dans cette section, après le point "Étapes finales". Si on inverse le sens d'ouverture de la porte, considérer l'image de façon symétrique.
- Avant de commencer, fermer la commande, retirer les aliments et enlever tous les balconnets réglables ou compartiments utilitaires de la porte.

1. Enlevez les pièces de la charnière et la porte



- A. Couverture de charnière supérieure
- B. Vis de charnière à tête hexagonale de 5/16 po
- C. Charnière supérieure

2. Enlever les pièces de la charnière du bas



- A. Axe de charnière
- B. Vis de charnière à tête hexagonale de 3/8 po

Débrancher l'appareil ou déconnecter la source de courant électrique. Laisser la porte de l'appareil fermée jusqu'à ce qu'elle soit prête à être soulevée pour la dégager de la caisse. Enlever les pièces pour la charnière supérieure. Soulever la porte de l'appareil pour la séparer de la charnière inférieure et de la caisse et la mettre de côté.

Retirer les quatre vis de charnière à tête hexagonale et la charnière inférieure.

REMARQUE : Prévoir un support additionnel de la porte pendant le déplacement des charnières. La force d'attraction des aimants de porte ne suffit pas à la maintenir en place.

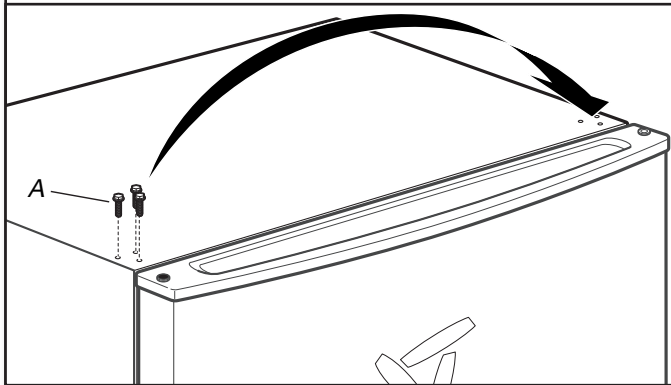
Replacer la porte de l'appareil (optionnel)

Replacer sur l'appareil les pièces de la charnière du bas enlevées à l'étape 2. Replacer ensuite le reste des pièces de la charnière et la porte enlevées à l'étape 1.

Inverser la porte de l'appareil (optionnel)

Consulter les étapes 1 et 2 de la section "Enlever la porte de l'appareil".

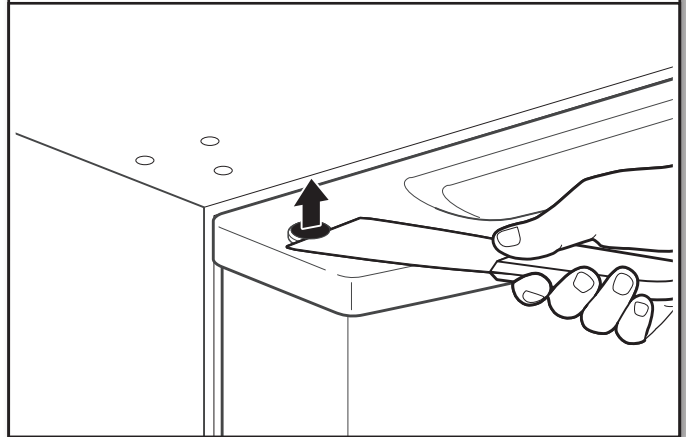
3. Enlever les bouchons de protection des trous de charnière de la caisse



A. Bouchons de protection des trous de charnière de la caisse

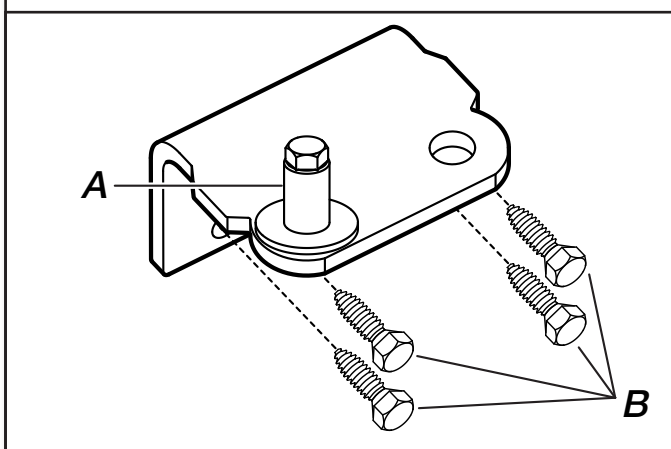
À l'aide d'un couteau à mastic, enlever les bouchons de protection des trous de charnière situés au sommet de la caisse et les transférer dans les trous de charnière du côté opposé. Si un bouchon se brise, utiliser les pièces de remplacements qui accompagnent les documents.

4. Retirer les bouchons de protection des trous de la porte



À l'aide d'un couteau à mastic, enlever les bouchons de protection des trous de la porte. Glisser le couteau à mastic entre le bouchon noir et la base transparente, puis forcer vers l'extérieur. Placer ensuite le bouchon dans le trou sur le côté opposé de la porte.

5. Replacer la charnière inférieure



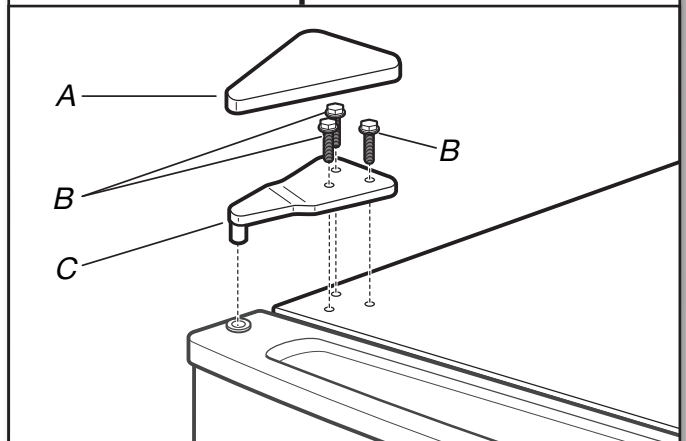
A. Axe de charnière inférieure
B. Vis de charnière à tête hexagonale de 3/8 po

Replacer comme indiqué les quatre vis de charnière à tête hexagonale de 3/8 po sur le côté opposé, puis serrer les vis.

REMARQUE : Lorsque la porte est inversée seulement, transférer l'axe de charnière inférieur une fois que le support aura été transféré.

À l'aide d'un tourne-écrou de 5/16 po, transférer l'axe de la charnière inférieure (A) dans le trou opposé, puis serrer comme indiqué.

6. Réinstaller la porte et la charnière supérieure



A. Couvercle de charnière supérieure
B. Vis de charnière à tête hexagonale de 5/16 po
C. Charnière supérieure

Remettre la porte en place sur l'axe de la charnière inférieure de l'étape précédente.

REMARQUE : Prévoir un support additionnel de la porte pendant le déplacement des charnières. La force d'attraction des aimants de porte ne suffit pas à la maintenir en place.

Assembler les pièces de la charnière supérieure comme illustré. Serrer complètement les vis.

Inspecter tous les trous. Vérifier que tous les bouchons de protection et toutes les vis sont en place. Réinstaller le couvercle de la charnière supérieur.

Installer les roulettes robustes et pédales texturées argentées

REMARQUE : Avant d'installer la pédale, régler au besoin le sens d'ouverture de la porte.

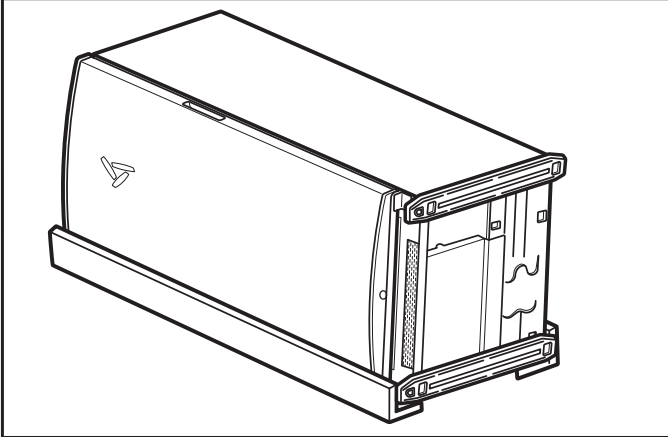
⚠ AVERTISSEMENT

Risque du poids excessif

Utiliser deux ou plus de personnes pour déplacer et installer le réfrigérateur/congélateur.

Le non-respect de cette instruction peut causer une blessure au dos ou d'autre blessure.

1. Préparation

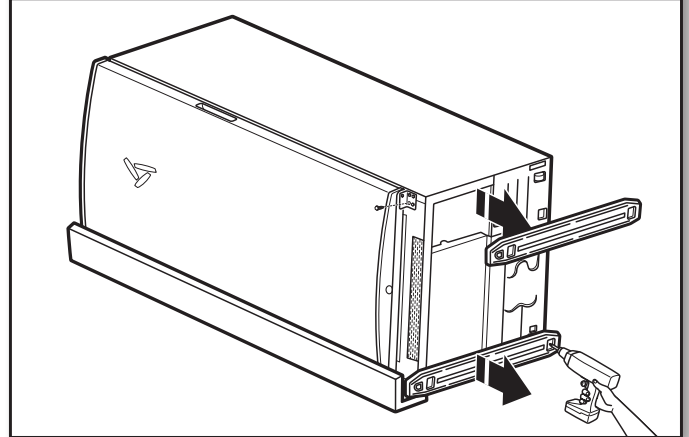


Replacer les cornières en mousse sur le côté sans charnière, puis coucher l'appareil sur le côté sur un carton ou une autre surface de protection. S'assurer que la charnière de la porte fait face vers le haut.

IMPORTANT : Il est important que la charnière de porte pointe vers le haut pendant toute l'opération d'installation des roulettes, ceci assurera que la porte ne s'ouvrira pas pendant l'installation.

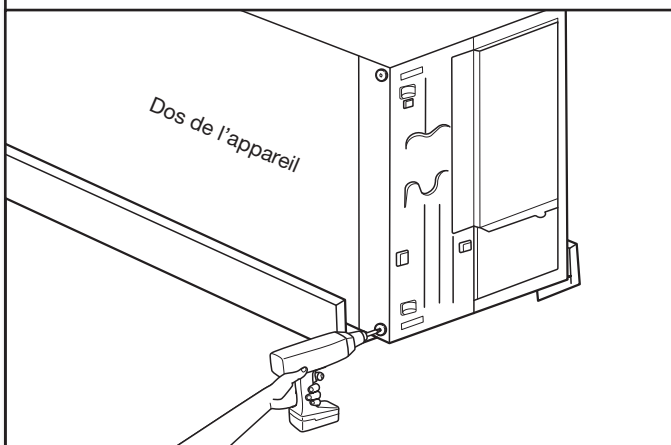
REMARQUE : Si les cornières en mousse ont été jetées, des morceaux de 2 po x 4 po peuvent être utilisés.

2. Ôter les vis de calage



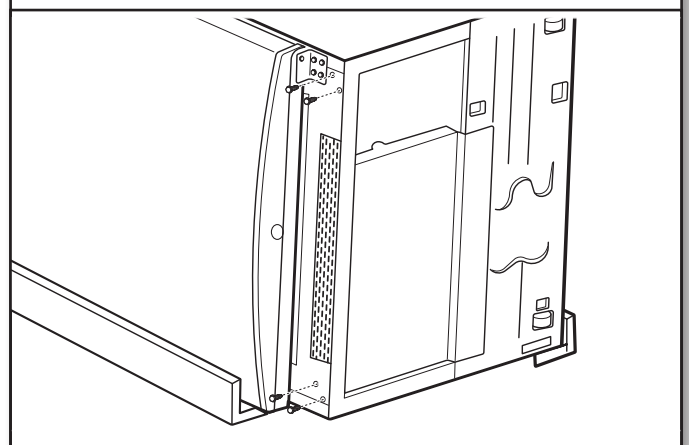
À l'aide d'un tourne-écrou de 5/16 po, enlever les quatre vis de calage (deux de chaque côté) situées au bas à l'arrière et à l'avant de l'appareil. Enlever les patins.

3. Retirer les vis arrière



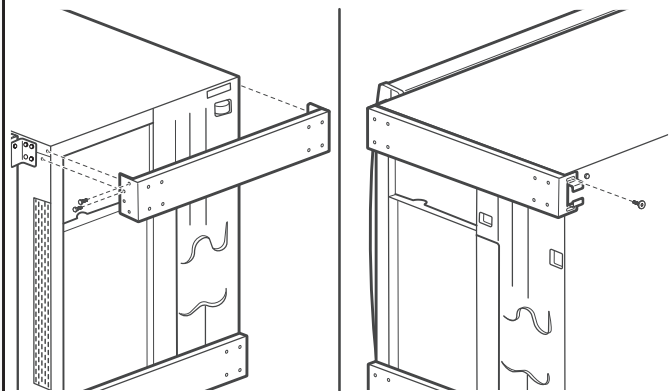
Briser les coins des cornières en mousse pour accéder aux vis des grands supports de roulettes situées des côtés gauche et droit de l'arrière de l'appareil. Enlever les deux vis des supports arrière de roulette en utilisant un tournevis TORX® T40®.

4. Enlever les vis de support à tête hexagonale supérieures et inférieures



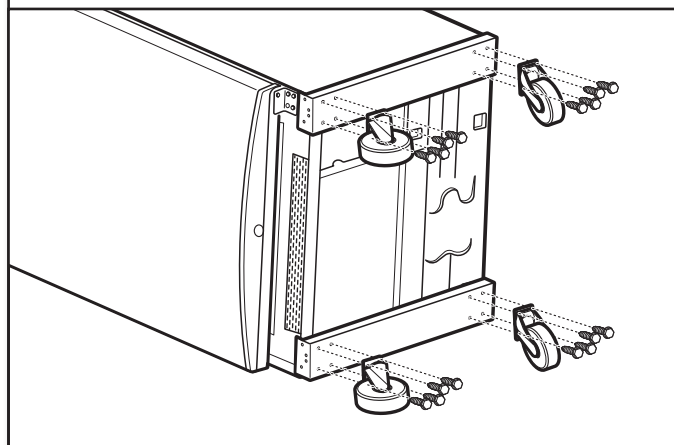
Enlever les quatre vis de support à tête hexagonale supérieures et inférieures de 3/8 po à l'aide d'un tournevis TORX® T25® et d'un tourne-écrou de 3/8 po.

5. Installer les supports de roulettes



Aligner le support de roulette de droite et le maintenir en place à l'aide des vis de support arrière enlevées à l'étape 3 et d'un tournevis TORX® T40®. En poussant le support contre le bas du réfrigérateur ou du congélateur, installer de nouveau les boulons à tête hexagonale supérieurs et inférieurs à l'aide d'un tournevis TORX® T25® et d'un tourne-écrou de 3/8 po. Répéter ce processus pour le côté gauche.

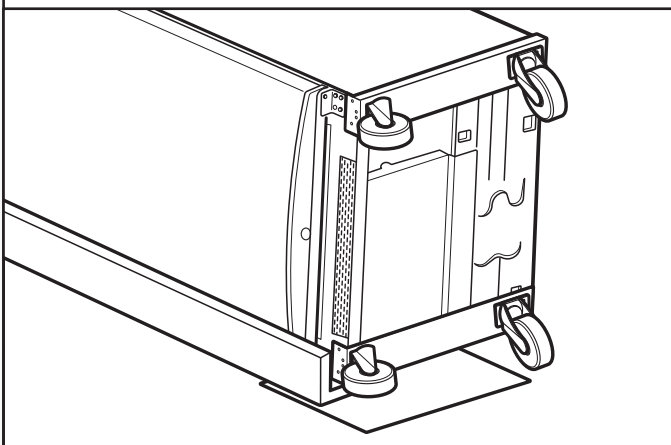
6. Fixer les roulettes



Aligner une roulette avant (munie d'un frein) avec les trous du support à roulette. S'assurer que le frein pointe vers l'extérieur de l'appareil. Insérer des boulons de support de 1/2 po dans chacun des quatre trous du support à roulette, puis serrer à la main. Une fois les quatre boulons installés, les serrer à l'aide d'une clé ou d'une clé à cliquet de 1/2 po avec rallonge. Répéter le processus d'installation pour l'autre roulette avant (avec frein) et les deux roulettes arrière (sans frein).

Conseil utile : Faire pivoter la roulette pour accéder aux emplacements des boulons.

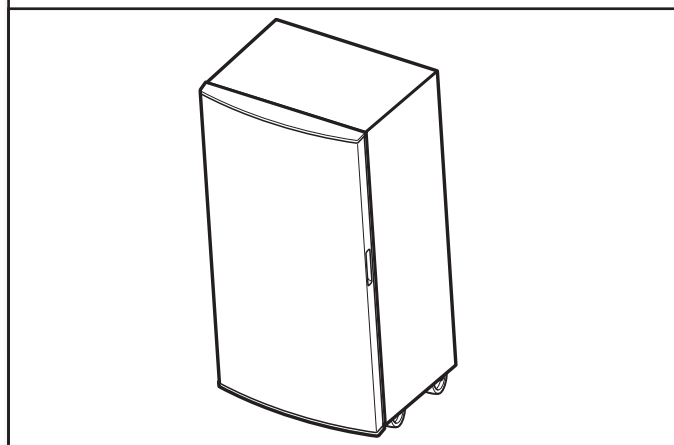
7. Verrouiller les roulettes avant



Verrouiller les roulettes avant et insérer un petit morceau de carton entre le frein de la roulette et le plancher. Ceci aidera à prévenir le frein de frotter contre le sol.

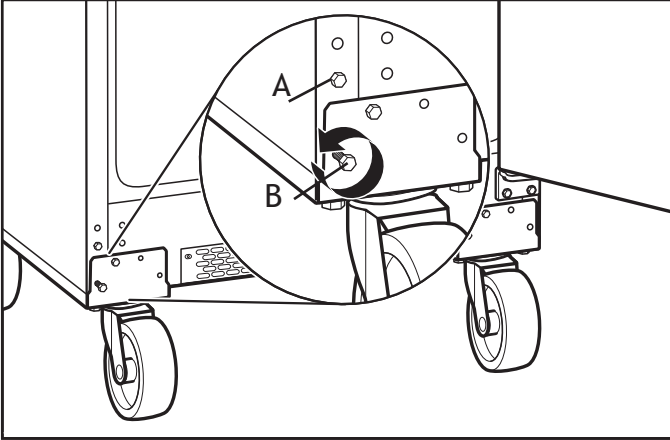
REMARQUE : Bloquer les roulettes aidera à empêcher le réfrigérateur ou le congélateur de se déplacer au moment d'être soulevé.

8. Redresser l'appareil



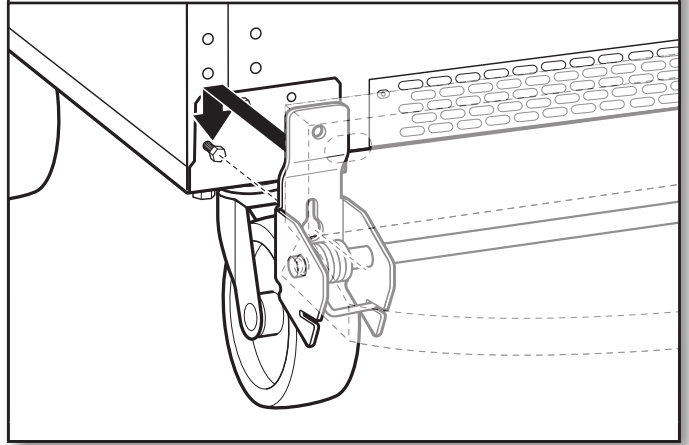
Mettre le réfrigérateur ou le congélateur en position verticale.

9. Préparer l'installation de la pédale



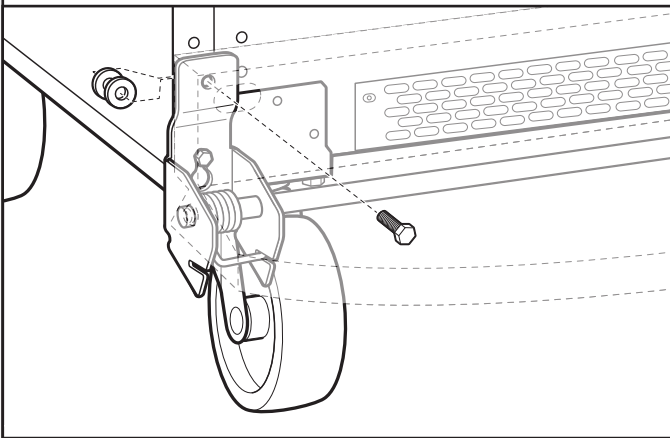
Ouvrir la porte de l'appareil pour faciliter l'accès à la zone d'installation de la pédale. De chaque côté du produit, desserrer la vis de support à tête hexagonale de 3/8 po (B) pour exposer 1/4 po du filet, puis retirer entièrement la vis de pédale à tête hexagonale supérieure de 3/8 po (A).

10. Aligner et suspendre la pédale



Aligner la partie ronde des encoches en trou de serrure de la pédale avec les vis de support à tête hexagonale inférieures de 3/8 po. Déposer la pédale sur les vis du support inférieur. Si l'encoche en trou de serrure ne s'engage pas entièrement, desserrer le boulon jusqu'à ce qu'elle s'engage.

11. Réinstaller le boulon de la pédale



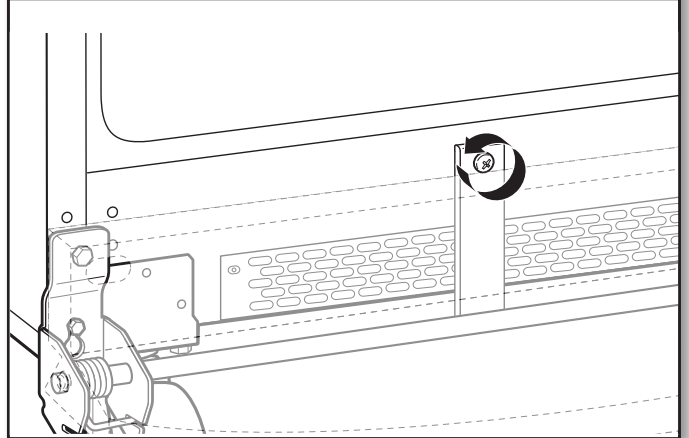
Du côté charnière de la porte, utiliser un tournevis TORX® T25® ou un tourne-écrou de 3/8 po pour passer la vis à travers le trou du support de pédale et serrer sur l'appareil.

Du côté sans charnière de la porte, utiliser un tournevis TORX® T25® ou un tourne-écrou de 3/8 po pour passer la vis à travers le trou du support de pédale et deux espaceurs fournis, puis serrer sur l'appareil.

Conseil utile : En cas de problème pendant l'installation des deux espaceurs entre le support et l'appareil, coller les espaceurs au dos des trous du support de pédale à l'aide de ruban transparent avant d'insérer les vis.

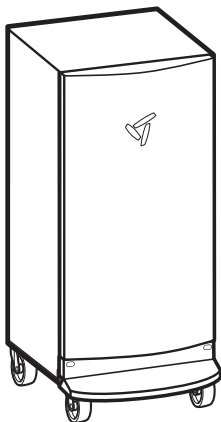
Serrer la deuxième vis à l'aide d'une clé de 3/8 po ou d'une clé à cliquet de 3/8 po.

12. Régler la vis du poussoir, au besoin



Utiliser un tournevis à tête cruciforme pour régler la vis du poussoir de la pédale selon vos préférences.

13. Placer l'appareil à son emplacement final



⚠️ AVERTISSEMENT



Risque de choc électrique

Brancher sur une prise à 3 alvéoles reliée à la terre.

Ne pas enlever la broche de liaison à la terre.

Ne pas utiliser un adaptateur.

Ne pas utiliser un câble de rallonge.

Le non-respect de ces instructions peut causer un décès, un incendie ou un choc électrique.

Déverrouiller les roulettes, rouler l'appareil à sa place finale et verrouiller de nouveau les roulettes. Brancher le réfrigérateur ou congélateur dans une prise à 3 fiches.

REMARQUE : Si le réfrigérateur ou congélateur est installé sur une surface inégale, des cales pourraient être nécessaires pour empêcher l'appareil de rouler.

UTILISER VOTRE RÉFRIGÉRATEUR OU CONGÉLATEUR

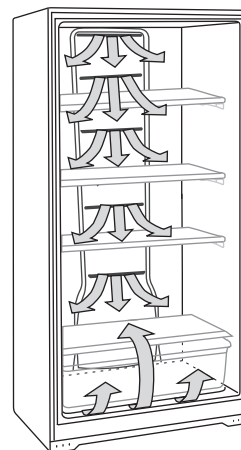
Sons normaux

Il est possible que votre nouveau réfrigérateur ou congélateur produise des bruits que votre appareil précédent ne produisait pas. Ces sons peuvent vous inquiéter puisqu'ils sont nouveaux. La plupart de ces nouveaux sons sont normaux. Les sons peuvent vous sembler plus fort avec des surfaces dures comme le sol, les murs et les armoires. Les descriptions suivantes indiquent le genre de sons et leur cause possible.

- Votre appareil est conçu pour fonctionner plus efficacement afin de conserver les aliments aux températures désirées et pour réduire la consommation d'énergie. Le compresseur et les ventilateurs très efficaces peuvent faire fonctionner votre appareil plus longtemps que l'ancien. Il se peut également que vous entendiez un bruit saccadé ou aigu provenant du compresseur ou des ventilateurs pendant qu'ils se règlent pour optimiser la performance.
- Vous pouvez entendre le moteur du ventilateur de l'évaporateur faire circuler l'air dans les compartiments du réfrigérateur ou du congélateur. La vitesse du ventilateur peut augmenter si les portes sont ouvertes ou si des aliments chauds sont ajoutés.
- Des vibrations sonores peuvent provenir de l'écoulement du réfrigérant ou d'articles placés sur l'appareil.
- De l'eau qui goutte sur le chauffage de décongélation lors d'un programme de décongélation peut entraîner un bruit de grésillement.
- À la fin de chaque cycle, il se peut que vous entendiez un gargouillement attribuable au réfrigérant qui se trouve dans votre appareil.
- La contraction et l'expansion des parois internes peuvent produire un bruit sec.
- Vous pouvez entendre de l'air qui est transmis au condenseur par le ventilateur du condenseur.
- Vous pouvez entendre l'écoulement de l'eau dans le plat de récupération d'eau de dégivrage pendant le programme de dégivrage.

Pour assurer une circulation d'air correcte

Afin d'assurer de maintenir de bonnes températures, vous devez permettre une circulation d'air correcte dans le réfrigérateur ou congélateur. Comme l'indique l'illustration, l'air froid entre par la paroi de l'appareil et se déplace vers le bas. L'air recircule ensuite par les ouvertures d'aération situées au bas.



N'obstruer aucune de ces ouvertures d'aération avec des emballages d'aliments. Si les ouvertures d'aération sont bloquées, le flux d'air sera réduit et des problèmes de température et d'humidité peuvent survenir.

IMPORTANT : Pour éviter le transfert d'odeurs et l'assèchement des aliments, envelopper ou recouvrir hermétiquement les aliments.

Utiliser la commande du réfrigérateur

La commande de température se trouve dans la partie supérieure avant du compartiment de réfrigérateur.

Commande de la température

Lorsque le réfrigérateur est installé pour la première fois, vérifier que la commande est réglée à la bonne température pour vos aliments.



Le réfrigérateur est muni de trois boutons de pré-réglage de la température :

- Party (fête) : Règle la température du réfrigérateur à un degré parfait pour conserver temporairement des plats de fête ou des hors-d'œuvre froids.
- Assorted (assortiment) : Réglage multiusage parfait pour une variété d'aliments.
- Beverage (boisson) : Garde le réfrigérateur à une température inférieure pour conserver les boissons très froides.

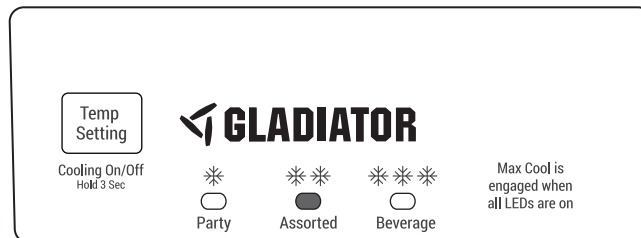
IMPORTANT :

- Le réglage Assortiment est conçu pour maintenir la température à environ 37 °F (3 °C) dans des conditions de fonctionnement normales.
 - Attendre 24 heures avant d'ajouter des aliments dans le réfrigérateur. Si on ajoute des aliments avant que le réfrigérateur ne soit complètement refroidi, les aliments risquent de se gaspiller.
- REMARQUE :** Modifier le point de réglage de la température à un réglage plus froid que celui qui est recommandé ne refroidira pas le réfrigérateur plus rapidement.
- Si la température est trop tiède ou trop froide dans le réfrigérateur, inspecter d'abord les événements pour s'assurer qu'ils ne sont pas bloqués, avant de régler la commande.
 - La commande est bien réglée lorsque le lait ou le jus sont aussi froids que désiré, le réglage Assortiment devrait être parfait pour une utilisation de maison normale.

- Lorsque le réfrigérateur est mis en marche pour la première fois, le compresseur fonctionne sans cesse jusqu'à ce que le réfrigérateur soit refroidi. Cela peut durer entre 6 et 8 heures (ou plus), en fonction de la température de la pièce et de la fréquence d'ouverture de la porte de réfrigérateur. Une fois le réfrigérateur refroidi, le compresseur s'allume et s'éteint par intermittence selon le besoin, afin de permettre au réfrigérateur de rester à la bonne température.
- Il est possible que l'extérieur du réfrigérateur soit chaud. Ceci est normal. La conception du réfrigérateur, ainsi que sa fonction principale, permettent de supprimer la chaleur provenant des emballages et de l'espace à l'intérieur du réfrigérateur. La chaleur est transférée dans l'air ambiant, ce qui entraîne le réchauffement de l'extérieur du réfrigérateur.

Réglage de la commande

Si l'on doit régler la température dans le compartiment du réfrigérateur, appuyer sur le bouton TEMP SETTING (réglage de la température) pour afficher le réglage de température souhaité. Choisir entre Party (fête), Assorted (assortiment), ou Beverage (boisson).

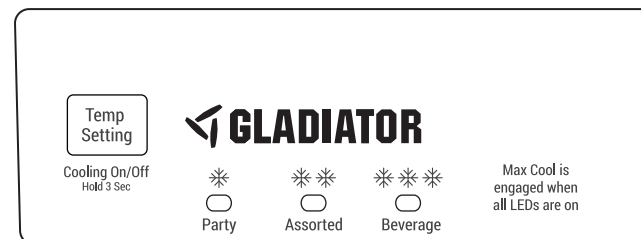


REMARQUE : Lors de l'utilisation d'un nouveau réglage de la commande, attendre 24 h entre chaque modification pour permettre à la température de se stabiliser.

Marche/arrêt du refroidissement

Le réfrigérateur ne refroidit pas lorsque le refroidissement est désactivé.

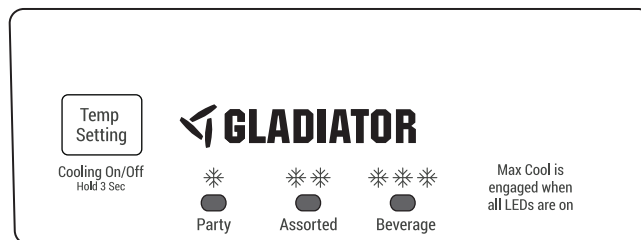
Pour désactiver le refroidissement, appuyer sur le bouton Temp Setting (réglage de la température) pendant 3 secondes. Lorsque le refroidissement est désactivé, aucun des témoins lumineux du tableau de commande ne s'allume. L'ampoule d'éclairage principale du réfrigérateur continue de fonctionner.



Pour activer le refroidissement, appuyer sur le bouton TEMP SETTING (réglage de la température) pendant 3 secondes. Lorsque le refroidissement est activé, les témoins lumineux du tableau de commande sont allumés.

Max Cool (refroidissement maximal)

Utiliser cette fonction pour aider à refroidir le réfrigérateur lors d'une période d'utilisation intense comme l'ajout d'un grand nombre d'aliments ou d'une élévation temporaire de la température ambiante.



Pour activer la fonction de refroidissement maximal, appuyer sur le bouton TEMP SETTING (réglage de la température) jusqu'à ce que toutes les icônes de flocons de neige s'allument simultanément.

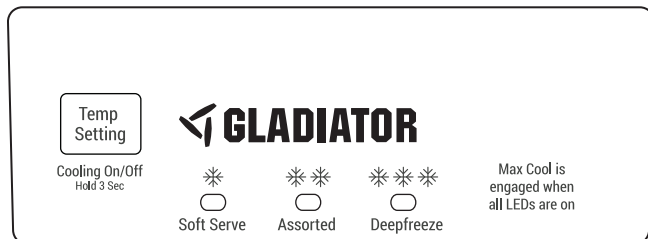
Le réfrigérateur reste à refroidissement maximal pendant 24 heures une fois la très basse température atteinte. Dès que la durée a expiré, le réfrigérateur revient au réglage de température précédent. La fonction de refroidissement maximal peut être désactivée manuellement en appuyant sur Temp Setting (réglage de la température) pour sélectionner le réglage de la température désirée, du flocon de neige de gauche (le moins froid) au flocon de neige de droite (le plus froid).

Utiliser la commande du congélateur

La commande de la température se trouve dans la partie supérieure avant du compartiment de congélation.

Commande de la température

Lorsque le réfrigérateur est installé pour la première fois, vérifier que la commande est réglée à la bonne température pour vos aliments.



Le congélateur est muni de trois boutons de pré-réglage de la température :

- **Soft Serve (ramollir) :** Augmente légèrement la température du réfrigérateur et crée les conditions optimales pour servir la crème glacée.
- **Assorted (assortiment):** Réglage multiusage parfait pour une variété d'aliments surgelés.
- **Deepfreeze (très froid) :** Abaisse la température du congélateur pour le stockage à long terme d'articles surgelés.

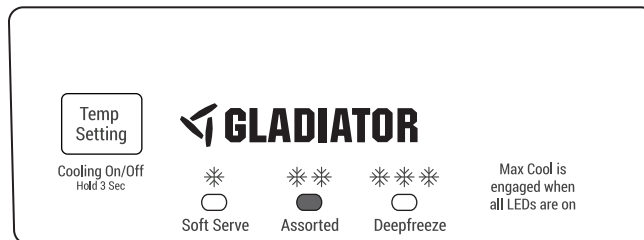
IMPORTANT :

- Le réglage Assortiment est conçu pour maintenir la température à environ 0 °F (-18 °C) dans des conditions de fonctionnement normales.
 - Attendre 24 heures avant d'ajouter des aliments dans le congélateur. Si on ajoute des aliments avant que le congélateur ne soit complètement refroidi, les aliments risquent de s'abîmer.
- REMARQUE :** Modifier le point de réglage de la température à un réglage plus froid que celui qui est recommandé ne refroidira pas le congélateur plus rapidement.
- Si la température est trop tiède ou trop froide dans le congélateur, inspecter d'abord les événements pour s'assurer qu'ils ne sont pas bloqués, avant de régler la commande.
 - Le réglage Assortiment devrait être parfait pour une utilisation domestique normale. La commande est réglée correctement lorsque la crème glacée est ferme.

- Lorsque le congélateur est mis en marche pour la première fois, le compresseur fonctionne sans cesse jusqu'à ce que le congélateur soit refroidi. Cela peut durer entre 6 et 8 heures (ou plus), en fonction de la température de la pièce et de la fréquence d'ouverture de la porte de congélateur. Une fois le congélateur refroidi, le compresseur s'allume et s'éteint par intermittence selon le besoin, afin de permettre au congélateur de rester à la bonne température.
- Il est possible que l'extérieur du congélateur soit chaud. Ceci est normal. La conception du congélateur, ainsi que sa fonction principale, permettent de supprimer la chaleur provenant des emballages et de l'espace à l'intérieur du congélateur. La chaleur est transférée dans l'air ambiant, ce qui entraîne le réchauffement de l'extérieur du congélateur.

Réglage de la commande

Si l'on doit régler la température dans le compartiment du congélateur, appuyer sur le bouton TEMP SETTING (réglage de la température) pour afficher le réglage de température souhaité. Choisir entre Soft Serve (ramollir), Assorted (assortiment), et Deepfreeze (très froid).

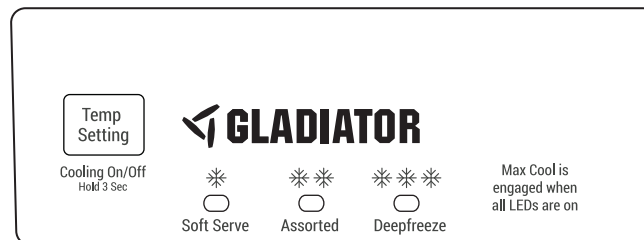


REMARQUE : Lors de l'utilisation d'un nouveau réglage de la commande, attendre 24 h entre chaque modification pour permettre à la température de se stabiliser.

Marche/arrêt du refroidissement

Le congélateur ne refroidit pas lorsque le refroidissement est désactivé.

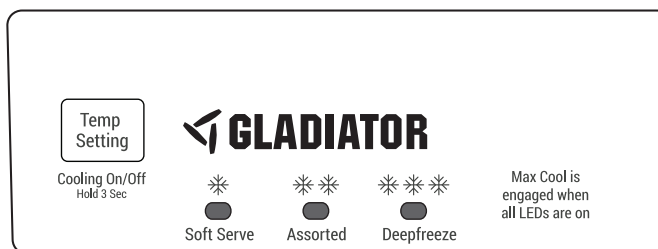
Pour désactiver le refroidissement, appuyer sur le bouton TEMP SETTING (réglage de la température) pendant 3 secondes. Lorsque le refroidissement est désactivé, aucun des témoins lumineux du tableau de commande ne s'allume. L'ampoule d'éclairage principale du congélateur continue de fonctionner.



Pour activer le refroidissement, appuyer sur le bouton TEMP SETTING (réglage de la température) pendant 3 secondes. Lorsque le refroidissement est activé, les témoins lumineux du tableau de commande sont allumés.

Max Cool (refroidissement maximal)

Utiliser cette fonction pour aider à refroidir le congélateur lors d'une période d'utilisation intense comme l'ajout d'un grand nombre d'aliments ou d'une élévation temporaire de la température ambiante.



Pour activer la fonction de refroidissement maximal, appuyer sur le bouton TEMP SETTING (réglage de la température) jusqu'à ce que toutes les icônes de flocons de neige s'allument simultanément.

Le congélateur reste à refroidissement maximal pendant 24 heures une fois la très basse température atteinte. Dès que la durée a expiré, le congélateur revient au réglage de température précédent. La fonction de refroidissement maximal peut être désactivée manuellement en appuyant sur Temp Setting (réglage de la température) pour sélectionner le réglage de la température désirée, du flocon de neige de gauche (le moins froid) au flocon de neige de droite (le plus froid).

ENTRETIEN DE VOTRE RÉFRIGÉRATEUR OU CONGÉLATEUR

Enregistrer votre appareil

Il y a plusieurs avantages à enregistrer votre produit. Pour obtenir plus de renseignements et enregistrer votre produit en ligne, consulter le www.gliaditorgarageworks.com. Les clients canadiens peuvent appeler au : **1 800 807-6777**. Les numéros de modèle et de série de votre produit peuvent être situés sur un autocollant se trouvant à l'intérieur de l'appareil.

Caractéristiques du réfrigérateur et du congélateur

Tablettes du réfrigérateur et du congélateur

Le réfrigérateur comprend deux tablettes très profondes en verre très épais et une tablette mince en métal. Votre réfrigérateur est muni de deux clayettes profondes et d'une clayette peu profonde fabriquées en fil robuste.

Conserver les aliments similaires ensemble et régler les tablettes pour les adapter à différentes hauteurs. Ceci réduira la durée d'ouverture de la porte du réfrigérateur et fera économiser de l'énergie.

Pour enlever et réinstaller une tablette :

1. Retirer la tablette en la soulevant et en la tirant pour l'extraire.
2. Réinstaller la tablette en la plaçant sur les supports situés sur les parois latérales.

Balconnet de porte d'un gallon demi-largeur et pleine largeur

Pour enlever et réinstaller un balconnet :

1. Retirer le balconnet en faisant basculer l'avant du balconnet vers l'avant et en le faisant glisser pour le sortir.
2. Réinstaller le balconnet en le faisant glisser au-dessus du support désiré, puis en le faisant basculer pour le remettre en place.

Paniers en fil robuste

Le panier amovible offre un espace de rangement séparé pour les articles difficiles à ranger sur les tablettes du congélateur. Pour retirer le panier, le tirer vers l'extérieur et le soulever.

Pour retirer et réinstaller le panier :

1. Retirer le panier en faisant basculer l'avant du panier vers l'avant et en le faisant glisser pour le sortir.
2. Réinstaller le panier en le faisant glisser au-dessus du support désiré, puis en le faisant basculer pour le remettre en place.

Zone pizza (réfrigérateur seulement)

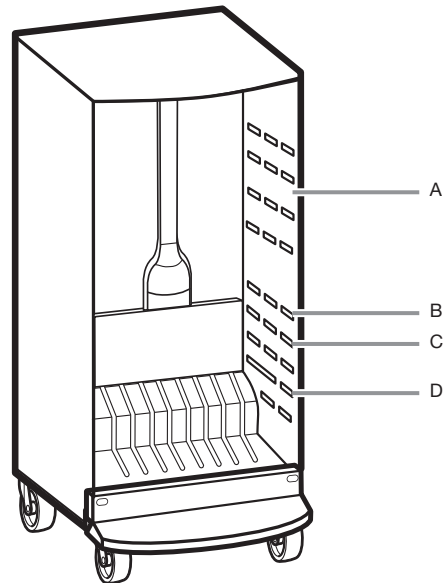
Pour retirer et réinstaller la barrière :

1. Enlever la barrière en soulevant le haut de la barrière et vers l'extérieur des supports.
2. Replacer la barrière à sa place d'origine en l'abaissant dans les supports.

Balconnet texturé argenté (réfrigérateur seulement)

Pour retirer et réinstaller le balconnet :

1. Enlever le balconnet en soulevant le haut de la barrière et vers l'extérieur des supports.
2. Replacer le balconnet à sa place d'origine en l'abaissant dans les supports.



- A. Tablettes profondes en verre très épais ou clayettes profondes en fil robuste
B. Tablette peu profonde en métal robuste ou clayette peu profonde en fil robuste
C. Panier court en fil robuste
D. Grand panier en fil robuste

Nettoyer le réfrigérateur ou dégivrage automatique du congélateur

⚠ AVERTISSEMENT



Risque d'explosion

Utiliser un produit de nettoyage ininflammable.
Le non-respect de cette instruction peut causer un décès, une explosion ou un incendie.

Nettoyer le réfrigérateur ou le congélateur environ une fois par mois pour empêcher une accumulation d'odeurs. Essuyer les renversements immédiatement.

Nettoyage du réfrigérateur ou du congélateur :

1. Appuyer sur TEMP SETTING (réglage de la température) pendant 3 secondes pour désactiver le refroidissement.
2. Débrancher l'appareil ou déconnecter la source de courant électrique.
3. Retirer toutes les pièces amovibles de l'intérieur, telles que les tablettes, bacs, etc.
4. Laver à la main, rincer et sécher les pièces amovibles et les surfaces internes soigneusement. Utiliser une éponge propre ou un linge doux et un détergent doux dans de l'eau tiède.

- Ne pas utiliser de nettoyants puissants ou abrasifs tels que les nettoyants à vitre en atomiseurs, nettoyants à récurer, liquides inflammables, cires nettoyantes, détergents concentrés, agents de blanchiment ou nettoyants contenant du pétrole sur les pièces en plastique, les garnitures intérieures et garnitures de portes ou sur les joints de portes. Ne pas utiliser d'essuie-tout, tampons à récurer ou autres outils de nettoyage abrasifs. Ces produits risquent d'égratigner ou d'endommager les matériaux.
 - Pour aider à éliminer les odeurs, on peut laver les parois intérieures avec un mélange d'eau tiède et de bicarbonate de soude (2 c. à soupe pour 1 pinte [26 g pour 0,95 L] d'eau)
5. Remettre en place les parties amovibles.
 6. Utiliser la méthode de nettoyage adéquate pour votre finition extérieure.
- Métal peint :** Laver l'extérieur de la porte avec un linge en microfibre et un détergent doux dans de l'eau tiède. Pour toutes les autres surfaces extérieures, laver à l'aide d'une éponge propre ou d'un linge doux et d'un détergent doux dans de l'eau tiède. Ne pas utiliser un nettoyant abrasif, puissant ou conçu pour l'acier inoxydable. Sécher soigneusement avec un chiffon doux.
7. Nettoyer régulièrement les serpentins du condenseur. Il se peut que les serpentins aient besoin d'être nettoyés tous les deux mois. Ce nettoyage peut aider à économiser de l'énergie.
- Ouvrir la porte du réfrigérateur ou du congélateur et retirer la grille de la base en enlevant deux vis cruciformes et en tirant la grille vers soi.
 - Employer un aspirateur avec un accessoire long pour nettoyer les serpentins du condenseur lorsqu'ils sont sales ou poussiéreux.
 - Réinstaller la grille de la base en alignant les extrémités de la grille avec les dispositifs de nivellement de chaque côté et emboîter la grille. Réinstaller les vis.
8. Brancher l'appareil ou reconnecter la source de courant électrique.
 9. Placer la commande de température au réglage désiré. (Voir la section "Utilisation des commandes.")

Dégivrage automatique du congélateur

Le dégivrage automatique vous permet de ne pas avoir à dégivrer vous-même votre congélateur. Le givre est enlevé par le mouvement de l'air qui collecte l'humidité et la dépose sur le serpentin de refroidissement. Le serpentin de refroidissement se réchauffe régulièrement de façon suffisante pour faire fondre le givre qui s'écoule ensuite dans le bac de récupération (situé derrière la grille de la base) d'où elle s'évapore.

Remplacer l'ampoule d'éclairage

REMARQUE : Toutes les ampoules pour appareils ménagers ne conviendront pas à votre réfrigérateur ou congélateur. S'assurer de faire le remplacement par une ampoule de grosseur, de forme et de puissance semblables.

1. Débrancher l'appareil ou déconnecter la source de courant électrique.
2. Retirer le protège-ampoule en appuyant sur les côtés du couvercle, en poussant et en tirant vers le bas. Remplacer l'ampoule par une ampoule pour appareil ménager d'une puissance maximale de 40 W ou une ampoule à DEL conçue pour un emplacement humide/mouillé.

REMARQUE : Certaines DEL de rechange ne sont pas recommandées pour des environnements humides/mouillés. Les compartiments de réfrigération et de congélation sont considérés comme des environnements humides/mouillés. Lire et suivre les instructions sur l'emballage des DEL au moment de remplacer l'ampoule DEL installée à l'usine. Une ampoule DEL de rechange peut être achetée chez un revendeur agréé.

3. Réinstaller le protège-ampoule.
 4. Brancher l'appareil ou reconnecter la source de courant électrique.
-

Pannes de courant

Si une panne de 24 heures ou moins se produit, garder la porte fermée pour aider les aliments à demeurer froids et congelés.

Si la panne dure plus de 24 heures, consommer les aliments périssables ou les mettre en conserve immédiatement.

NE PAS OUBLIER : Si les aliments semblent de piètre qualité, les jeter.

Précautions à prendre pour les vacances ou le déménagement

Vacances

Si le réfrigérateur ou congélateur reste allumé pendant votre absence, consommer toutes les denrées périssables et congeler les autres aliments.

Si le réfrigérateur ou congélateur est arrêté avant votre départ, suivre ces étapes :

1. Enlever tous les aliments du réfrigérateur ou du congélateur.
2. Tourner la commande sur la position d'arrêt. (Voir la section "Utilisation des commandes".)
3. Nettoyer le réfrigérateur ou le congélateur, l'essuyer et bien le sécher.
4. À l'aide d'un ruban adhésif, placer des blocs de caoutchouc ou de bois dans la partie supérieure de chaque porte de façon à ce qu'elles soient suffisamment ouvertes pour permettre à l'air d'entrer et d'éviter l'accumulation d'odeur ou de moisissure.

Déménagement

Lors d'un déménagement du réfrigérateur ou congélateur dans une nouvelle habitation, suivre ces étapes pour préparer le déménagement.

1. Enlever tous les aliments du réfrigérateur ou du congélateur.
2. Tourner la commande sur la position d'arrêt. (Voir la section "Utilisation des commandes".)
3. Débrancher le réfrigérateur ou congélateur.
4. Vider l'eau du plat de dégivrage.
5. Bien nettoyer, essuyer et sécher.
6. Retirer toutes les pièces amovibles, bien les envelopper et les attacher ensemble avec du ruban adhésif pour qu'elles ne bougent et ne s'entrechoquent pas durant le déménagement.
7. Fermer les portes à l'aide de ruban adhésif et fixer le cordon d'alimentation à la caisse de l'appareil.
8. Déverrouiller les roulettes pour faire rouler l'appareil.

À l'arrivée au nouveau domicile, remettre tout en place et consulter la section "Instructions d'installation" pour obtenir les instructions de préparation.

DÉPANNAGE

Essayer d'abord les solutions suggérées ici. Pour obtenir de l'aide ou des conseils qui permettront peut-être d'éviter une intervention de dépannage, consulter la page de garantie de ce manuel et balayer le code avec votre appareil mobile ou visiter le site Internet www.whirlpool.com/product_help. Au Canada, visiter le site <http://www.whirlpool.ca>.

Il est possible d'adresser ses commentaires ou questions par courrier à l'adresse ci-dessous :

Aux États-Unis :

Whirlpool Brand Home Appliances
Customer eXperience Center
553 Benson Road
Benton Harbor, MI 49022-2692

Au Canada :

Whirlpool Brand Home Appliances
Customer eXperience Centre
200 – 6750 Century Ave.
Mississauga ON L5N 0B7

Veuillez indiquer dans votre correspondance un numéro de téléphone où l'on peut vous joindre dans la journée.

Fonctionnement du réfrigérateur

⚠️ AVERTISSEMENT



Risque de choc électrique

Brancher sur une prise à 3 alvéoles reliée à la terre.

Ne pas enlever la broche de liaison à la terre.

Ne pas utiliser un adaptateur.

Ne pas utiliser un câble de rallonge.

Le non-respect de ces instructions peut causer un décès, un incendie ou un choc électrique.

⚠️ AVERTISSEMENT



Risque d'explosion

Utiliser un produit de nettoyage ininflammable.

Le non-respect de cette instruction peut causer un décès, une explosion ou un incendie.

PROBLÈME	SOLUTIONS RECOMMANDÉES
Le réfrigérateur ne fonctionne pas	Vérifier que l'appareil est branché sur une prise de courant à 3 alvéoles reliée à la terre. Vérifier que la commande de température est allumée. Vérifier qu'aucun programme de dégivrage automatique n'est en cours. Remplacer le fusible ou réenclencher le disjoncteur. REMARQUE : Si le problème persiste, appeler un électricien.
Les lampes ne fonctionnent pas	Vérifier que l'appareil est branché sur une prise de courant à 3 alvéoles reliée à la terre. Vérifier que l'ampoule est bien serrée dans la douille et qu'elle n'est pas grillée.
Le bac de dégivrage contient de l'eau	Il est normal que de l'eau s'égoutte dans le bac de dégivrage lorsque le réfrigérateur est en cours de dégivrage. Lorsque le taux d'humidité est élevé, il est normal que l'eau dans le bac de dégivrage prenne plus de temps à s'évaporer.
Le moteur semble fonctionner excessivement	Vérifier que la porte ferme correctement. L'ajout d'une grande quantité d'aliments réchauffe le réfrigérateur, l'obligeant à fonctionner plus longtemps pour refroidir. Dans ce cas, prévoir un délai d'environ 6 à 8 heures pour que le réfrigérateur atteigne la température adéquate. Retirer tous les articles souhaités en une seule fois, ranger les aliments de façon organisée et refermer la porte le plus vite possible. Vérifier que les serpentins du condenseur sont propres. Vérifier que l'espace autour du réfrigérateur répond aux exigences en matière de circulation de l'air. Voir la section "Exigences d'emplacement". Une température supérieure à la température ambiante habituelle entraîne le fonctionnement prolongé du moteur. REMARQUE : Si aucune des situations précédentes ne peut expliquer la situation, ne pas oublier que votre nouveau réfrigérateur fonctionnera plus longtemps que l'ancien en raison de son moteur à haute efficacité.
La température est trop élevée	Vérifier que les ouvertures d'aération sont dégagées. Voir la section "Pour assurer une circulation d'air correcte" pour savoir où se trouvent les ouvertures d'aération. Retirer tous les articles souhaités en une seule fois, ranger les aliments de façon organisée et refermer la porte le plus vite possible. L'ajout d'une grande quantité d'aliments réchauffe le réfrigérateur, l'obligeant à fonctionner plus longtemps pour refroidir. Vérifier que le réglage de la commande de température est adapté à l'environnement de l'appareil.
La porte ne ferme pas complètement ou est difficile à ouvrir	Vérifier qu'aucun emballage d'aliments n'empêche la fermeture de la porte. Sur certains modèles, vérifier que les couvercles du bac à légumes, les bacs, les tablettes, les balconnets et les paniers sont positionnés correctement. Vérifier que les joints sont propres. Voir la section "Entretien de votre réfrigérateur ou congélateur". Vérifier que le congélateur est stable.
Bruyant	Ces sons sont normaux. Voir la section "Bruits normaux".
Le réfrigérateur émet un fort bourdonnement/ cliquetis.	L'ajout d'une grande quantité d'aliments réchauffe le réfrigérateur. Plusieurs heures peuvent être nécessaires pour que le réfrigérateur revienne à la température normale.

Fonctionnement du congélateur

⚠️ AVERTISSEMENT



Risque de choc électrique

Brancher sur une prise à 3 alvéoles reliée à la terre.

Ne pas enlever la broche de liaison à la terre.

Ne pas utiliser un adaptateur.

Ne pas utiliser un câble de rallonge.

Le non-respect de ces instructions peut causer un décès, un incendie ou un choc électrique.

⚠️ AVERTISSEMENT



Risque d'explosion

Utiliser un produit de nettoyage ininflammable.

Le non-respect de cette instruction peut causer un décès, une explosion ou un incendie.

PROBLÈME	SOLUTIONS RECOMMANDÉES
Le congélateur ne fonctionne pas	Vérifier que l'appareil est branché sur une prise de courant à 3 alvéoles reliée à la terre. Vérifier que la commande de température est allumée. Vérifier qu'aucun programme de dégivrage automatique n'est en cours. Remplacer le fusible ou réenclencher le disjoncteur. REMARQUE : Si le problème persiste, appeler un électricien.
Les lampes ne fonctionnent pas	Vérifier que l'appareil est branché sur une prise de courant à 3 alvéoles reliée à la terre. Vérifier que l'ampoule est bien serrée dans la douille et qu'elle n'est pas grillée.
Le bac de dégivrage contient de l'eau	Il est normal que de l'eau s'égoutte dans le bac de dégivrage lorsque le congélateur est en cours de dégivrage. Lorsque le taux d'humidité est élevé, il est normal que l'eau dans le bac de dégivrage prenne plus de temps à s'évaporer.
Le moteur semble fonctionner excessivement	Vérifier que la porte ferme correctement. Dégivrer et nettoyer le congélateur afin de retirer l'excès de givre. L'ajout d'une grande quantité d'aliments réchauffe le congélateur, l'obligeant à fonctionner plus longtemps pour refroidir. Dans ce cas, prévoir un délai d'environ 6 à 8 heures pour que le congélateur atteigne la température adéquate. Retirer tous les articles souhaités en une seule fois, ranger les aliments de façon organisée et refermer la porte le plus vite possible. Vérifier que les serpentins du condenseur sont propres. Vérifier que le joint de la porte est hermétique sur toute la surface de contact. Si ce n'est pas le cas, contacter un technicien qualifié. Vérifier que l'espace autour du congélateur répond aux exigences en matière de circulation de l'air. Voir la section "Exigences d'emplacement". REMARQUE : Si aucune des situations précédentes ne peut expliquer la situation, ne pas oublier que votre nouveau congélateur fonctionnera plus longtemps que l'ancien en raison de son moteur à haute efficacité.
La température est trop élevée	Vérifier que les ouvertures d'aération sont dégagées. Voir la section "Pour assurer une circulation d'air correcte" pour savoir où se trouvent les ouvertures d'aération. Retirer tous les articles souhaités en une seule fois, ranger les aliments de façon organisée et refermer la porte le plus vite possible. L'ajout d'une grande quantité d'aliments réchauffe le congélateur, l'obligeant à fonctionner plus longtemps pour refroidir. Vérifier que le réglage de la commande de température est adapté à l'environnement de l'appareil.
La porte ne ferme pas complètement ou est difficile à ouvrir	Vérifier qu'aucun emballage d'aliments n'empêche la fermeture de la porte. Sur certains modèles, vérifier que les tablettes et les paniers sont positionnés correctement. Vérifier que les joints sont propres. Voir la section "Entretien de votre réfrigérateur ou congélateur". Vérifier que le congélateur est stable.
Le congélateur émet un fort bourdonnement/ cliquetis	Ajouter une grande quantité d'aliments fait réchauffer le congélateur. Plusieurs heures peuvent être nécessaires pour que le congélateur revienne à la température normale.

GARANTIE LIMITÉE DES GROS APPAREILS MÉNAGERS GLADIATOR®

ATTACHEZ ICI VOTRE REÇU DE VENTE. UNE PREUVE D'ACHAT EST OBLIGATOIRE POUR OBTENIR L'APPLICATION DE LA GARANTIE.

Lorsque vous appelez le centre d'eXpérience de la clientèle, veuillez garder à disposition les renseignements suivants :

- Nom, adresse et numéro de téléphone
- Numéros de modèle et de série
- Une description claire et détaillée du problème rencontré
- Une preuve d'achat incluant le nom et l'adresse du marchand ou du détaillant

SI VOUS AVEZ BESOIN DE SERVICE :

1. Avant de nous contacter pour obtenir un dépannage, veuillez déterminer si des réparations sont nécessaires pour votre produit. Certains problèmes peuvent être résolus sans intervention de dépannage. Prenez quelques minutes pour parcourir la section Dépannage du guide d'utilisation et d'entretien ou rendez-vous sur le site gladiatorgarageworks.ca.
2. Tout service sous garantie doit être effectué exclusivement par nos fournisseurs de dépannage autorisés Gladiator. Aux É.-U. et au Canada, dirigez toutes vos demandes de service sous garantie au :

Centre d'eXpérience de la clientèle Gladiator

Aux É.-U., composez le 1 800 253-1301. Au Canada, composez le 1 800 807-6777.

Si vous résidez à l'extérieur du Canada et des 50 États des États-Unis, contactez votre marchand Gladiator autorisé pour déterminer si une autre garantie s'applique.

GARANTIE LIMITÉE DE UN AN

CE QUI EST COUVERT

Pendant un an à compter de la date d'achat, lorsque ce gros appareil ménager est installé, utilisé et entretenu conformément aux instructions jointes à ou fournies avec le produit, Whirlpool Corporation ou Whirlpool Canada, LP (ci-après désignées "Gladiator") décidera à sa seule discrétion de remplacer le produit ou de couvrir le coût des pièces spécifiées par l'usine et de la main-d'œuvre nécessaires pour corriger les vices de matériaux ou de fabrication qui existaient déjà lorsque ce gros appareil ménager a été acheté. S'il est remplacé, l'appareil sera couvert pour la période restant à couvrir de la garantie limitée d'un an du produit d'origine.

LE SEUL ET EXCLUSIF RECOURS DU CLIENT DANS LE CADRE DE LA PRÉSENTE GARANTIE LIMITÉE CONSISTE EN LA RÉPARATION PRÉVUE PAR LA PRÉSENTE. Le service doit être fourni par une compagnie de service désignée par Gladiator. Cette garantie limitée est valide uniquement aux États-Unis ou au Canada et s'applique exclusivement lorsque le gros appareil ménager est utilisé dans le pays où il a été acheté. La présente garantie limitée est valable à compter de la date d'achat initial par le consommateur. Une preuve de la date d'achat initial est exigée pour obtenir un dépannage dans le cadre de la présente garantie limitée.

CE QUI N'EST PAS COUVERT

1. Usage commercial, non résidentiel ou par plusieurs familles, ou non-respect des instructions de l'utilisateur, de l'opérateur ou d'installation.
2. Visite d'instruction à domicile pour montrer à l'utilisateur comment utiliser l'appareil.
3. Visites de service pour rectifier une installation ou un entretien fautifs du produit, une installation non conforme aux codes d'électricité ou de plomberie ou la rectification de l'installation électrique ou de la plomberie du domicile (ex : câblage électrique, fusibles ou tuyaux d'arrivée d'eau du domicile).
4. Pièces consommables (ex : ampoules, batteries, filtres à air ou à eau, solutions de conservation).
5. Défauts ou dommages résultant de l'utilisation de pièces ou accessoires autres que d'origine Gladiator.
6. Conversion de votre produit du gaz naturel ou du gaz propane.
7. Dommages causés par : accident, mauvaise utilisation, abus, incendie, inondations, catastrophe naturelle ou utilisation de produits non approuvés par Gladiator.
8. Réparations aux pièces ou systèmes dans le but de rectifier un dommage ou des défauts résultant d'une réparation, altération ou modification non autorisée faite à l'appareil.
9. Défauts d'apparence, notamment les éraflures, traces de choc, fissures ou tout autre dommage subi par le fini de l'appareil ménager, à moins que ces dommages ne résultent de vices de matériaux ou de fabrication et ne soient signalés à Gladiator dans les 30 jours suivant la date d'achat.
10. Décoloration, rouille ou oxydation des surfaces résultant d'environnements caustiques ou corrosifs incluant des concentrations élevées de sel, un haut degré d'humidité ou une exposition à des produits chimiques (exemples non exhaustifs).
11. Perte d'aliments ou de médicaments due à la défaillance du produit.
12. Enlèvement ou livraison. Ce produit est conçu pour être réparé à l'intérieur du domicile.
13. Frais de déplacement et de transport pour le dépannage/la réparation dans une région éloignée où une compagnie de service Gladiator autorisée n'est pas disponible.
14. Retrait ou réinstallation d'appareils inaccessibles ou de dispositifs préinstallés (ex : garnitures, panneaux décoratifs, plancher, meubles, îlots de cuisine, plans de travail, panneaux de gypse) qui entravent le dépannage, le retrait ou le remplacement du produit.
15. Service et pièces pour des appareils dont les numéros de série et de modèle originaux ont été enlevés, modifiés ou ne peuvent pas être facilement identifiés.

Le coût d'une réparation ou d'un remplacement dans le cadre de ces circonstances exclues est à la charge du client.

CLAUSE D'EXONÉRATION DE RESPONSABILITÉ AU TITRE DES GARANTIES IMPLICITES

LES GARANTIES IMPLICITES, Y COMPRIS LES GARANTIES APPLICABLES DE QUALITÉ MARCHANDE OU D'APTITUDE À UN USAGE PARTICULIER, SONT LIMITÉES À UN AN OU À LA PLUS COURTE PÉRIODE AUTORISÉE PAR LA LOI. Certains États et certaines provinces ne permettent pas de limitation sur la durée des garanties implicites de qualité marchande ou d'aptitude à un usage particulier, de sorte que la limitation ci-dessus peut ne pas être applicable dans votre cas. Cette garantie vous confère des droits juridiques spécifiques et vous pouvez également jouir d'autres droits qui peuvent varier d'une juridiction à l'autre.

EXONÉRATION DE RESPONSABILITÉ DANS LES DOMAINES NON COUVERTS PAR LA GARANTIE

Gladiator décline toute responsabilité au titre de la qualité, de la durabilité ou en cas de dépannage ou de réparation nécessaire sur ce gros appareil ménager autre que les responsabilités énoncées dans la présente garantie. Si vous souhaitez une garantie plus étendue ou plus complète que la garantie limitée fournie avec ce gros appareil ménager, adressez-vous à Gladiator ou à votre détaillant pour obtenir les modalités d'achat d'une garantie étendue.

LIMITATION DES RECOURS; EXCLUSION DES DOMMAGES FORTUITS OU INDIRECTS

LE SEUL ET EXCLUSIF RECOURS DU CLIENT DANS LE CADRE DE LA PRÉSENTE GARANTIE LIMITÉE CONSISTE EN LA RÉPARATION PRÉVUE PAR LA PRÉSENTE. GLADIATOR N'ASSUME AUCUNE RESPONSABILITÉ POUR LES DOMMAGES FORTUITS OU INDIRECTS. Certains États et certaines provinces ne permettent pas l'exclusion ou la limitation des dommages fortuits ou indirects de sorte que ces limitations et exclusions peuvent ne pas être applicables dans votre cas. Cette garantie vous confère des droits juridiques spécifiques et vous pouvez également jouir d'autres droits qui peuvent varier d'une juridiction à l'autre.

