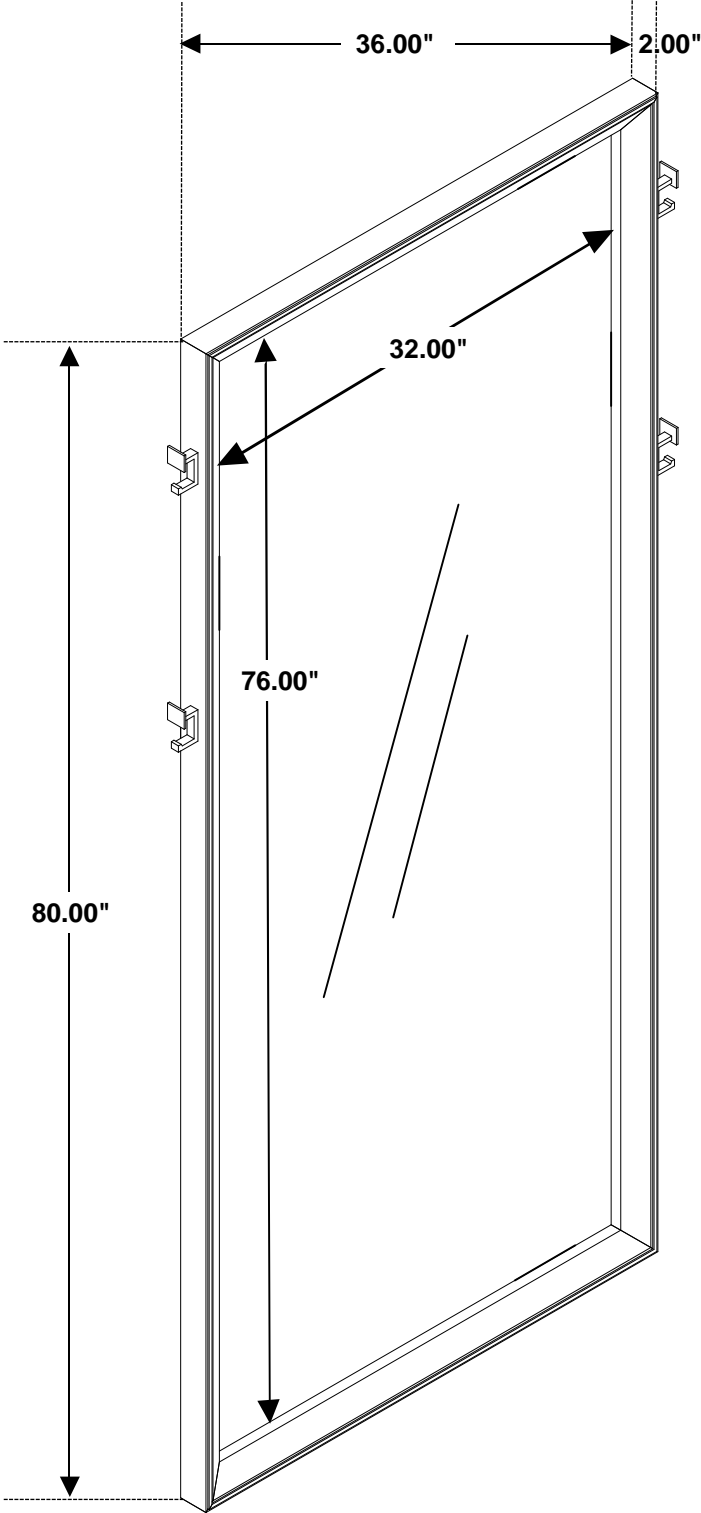


ITEM: 223270



Note: Dimension tolerance ±5%