

SCN60 – 60 lb Nugget Ice Machine

Brilliance[®] Under-Counter Nugget Ice Machine



model shown is SCN60PA-15S

Features

15" cabinet width, produces over 80 lbs. of nugget ice in 24 hours. Stores up to 26 lbs.

Nugget ice is made from bits of compacted ice that are soft, chewable and absorb the flavor of the beverage.

Uses 40% less energy and more than 50% less water than stand-alone, dedicated ice machines.

Designed with sleek new styling and virtually disappears when installed with a custom wood front that matches surrounding cabinetry. Finish options to choose from include, stainless, black or white front panel kits if a custom wood front panel is not used. A kit is available to adapt an existing custom wood front panel on the new ice machine.

Outdoor approved.

Lighted bin and self-closing door.

User-friendly control panel informs whether power is on, alerts a no-water condition, and a time to clean reminder.

Available with built-in drain pump.

24 Hour Ice Production & Storage Capacity

70°F/21°C Air 50°F/10°C Water lb / kg	90°F/32°C Air 70°F/21°C Water lb / kg	Bin Storage Capacity lb / kg
85 / 39	60 / 27	26 / 12



Control Board



Scoop



Nugget Ice

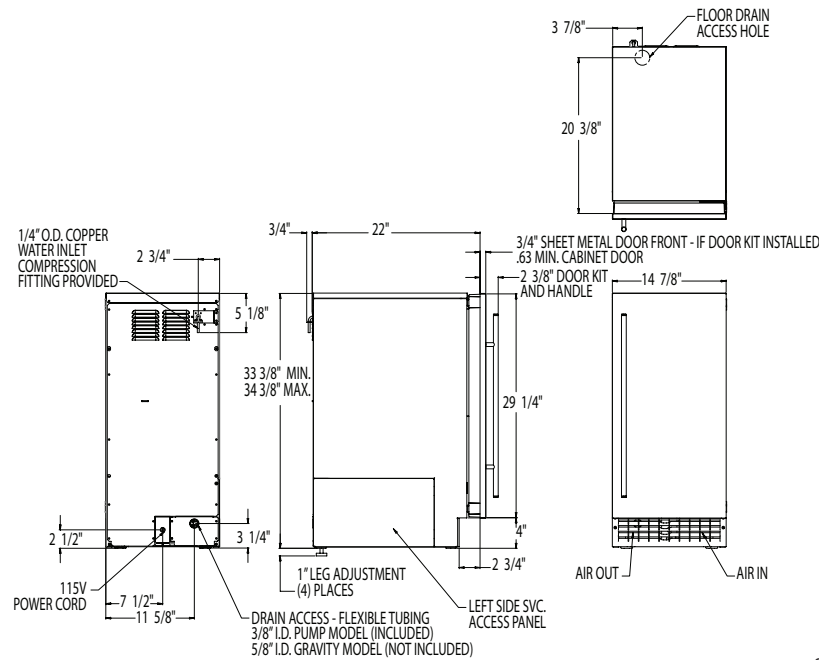


The Original Chewable Ice™.
Soft ice ideal for beverages
and blended drinks.

Warranty

- 1 years parts and labor on all components.
- 5 years parts on the compressor only.

Warranty valid in North America.



Supply Hose Not Included

All Models

24 Hour Ice Production:
 (70 deg. Air/50 deg. Water)
 85 lb / 39 kg
 (90 deg. Air / 70 Deg. Water)
 60 lb / 27 kg

Bin Storage Capacity:
 26 lb / 12 kg

Condenser Type:
 Air

Basic Electrical:
 (Volts/Hz/Phase)
 115/60/1

Amps:
 5

Refrigerant:
 R-134A

Dimensions (W x D x H):
 Unit (without legs adjusted):
 14.875" x 22.75" x 33.375"
 (37.8 x 57.8 x 84.78 cm)

Shipping Carton:
 18" x 28" x 38"
 (45.7 x 71.1 x 96.5 cm)

Specifications

Model	Finish Cabinet / Front	Drain Type	Shipping Weight lb / kg
SCN60GA-1SU	Stainless Steel / Unfinished	Gravity	124 / 56
SCN60GA-1SS	Stainless Steel / Stainless Steel	Gravity	133 / 60
SCN60PA-1SU	Stainless Steel / Unfinished	Pump	129 / 59
SCN60PA-1SS	Stainless Steel / Stainless Steel	Pump	135 / 61

SCNG: Gravity flow drain tube
 SCNP: Built-in pump to expel drain water which includes 10' drain tube

Accessories

Model	Description	Shipping Weight lb / kg
KDFB	Black door front kit	12 / 5.5
KDFW	White door front kit	12 / 5.5
KDFS	Stainless Steel door front kit	12 / 5.5
KDFWS	White front with Stainless Steel handle kit	12 / 5.5
KDFBS	Black front with Stainless Steel handle kit	12 / 5.5
KKPF	Kick plate filler kit	1 / 0.45
KATB	Anti-tip bracket kit	2 / 0.9
KDFR	Retro-fit door front kit	8 / 3.6

Operating Requirements

	Minimum	Maximum
Air Temperatures	50°F (10°C)	100°F (38°C)
Water Temperatures	40°F (4.4°C)	90°F (38°C)
Water Pressures	20 PSIG (1 bar)	80 PSIG (5 bar)
Electrical Voltage	-10%	+10%

Machine requires voltage indicated on rating name plate. Failures caused by improper voltage are not considered factory defects. Scotsman products, except model SCG50MA-1SS & SCCP5050MA-1SS, are not designed for outdoor installations nor for installation where air temperatures fall below 50°F. or exceed 100°F., nor where water temperatures fall below 40°F. or exceed 100°F. Extended periods of operation at temperatures exceeding these limitations constitute misuse under the terms of Scotsman Manufacturer's Limited Warranty, resulting in a loss of warranty coverage. Refer to owner's manual for all installation requirements. Please note: when installed in a corner, the door swing may be limited due to handle contact with the wall or cabinet face.