



WD90F53AV

SAMSUNG

5.3 cu. ft. Bespoke AI Vented Laundry Combo™ All-in-One Ultra Capacity Washer and Electric Dryer with AI Home



Available Colors

-  **Brushed Black** (shown)
-  **Dark Steel**

Features


- AI Vented Laundry Combo™
- 5.3 cu. ft. Ultra Capacity and Super Speed
- Simple Swap Design
- AI Opti Wash & Dry™
- Flex Auto Dispense System
- AI Home 7" LCD Display
- Auto Open Door
- Vented Drying Advantage
- Easy Lint Clean
- Voice Control
- Wi-Fi Connectivity with SmartThings*
- Steam Wash
- AI Bubble™
- Less Microfiber Cycle
- AI Energy Mode
- ENERGY STAR® Certified
- 20-Year Warranty (DIT)**
- Drum Clean+
- 1,200 RPM Maximum Spin Speed
- DIT Motor
- 23 Total Washing Cycles
- 34 Options

Convenience

- Child Lock
- Dispenser Trays: Single Main Wash with Pebble, Bleach, Flex Auto Dispenser: Auto Detergent, Auto Softener

Warranty		
One (1) Year Parts and Labor Three (3) Years Stainless Steel Tub (Part Only) Twenty (20) Years; Washing DIT (Digital Inverter Motor) Motor Part (Part Only)		
Dimensions (WxHxD) & Weight		
Product Dimensions	27" x 43 ³ / ₄ " x 34 ¹ / ₂ "	
Weight	297.6 lbs	
Shipping Dimensions	29 ³ / ₈ " x 49 ¹ / ₄ " x 36 ¹ / ₁₆ "	
Weight	308.6 lbs	
UPC		
Brushed Black	WD90F53AVB	887276989174
Dark Steel	WD90F53AVS	887276989181

Cycles/Settings	
23 Total Cycles	Normal, AI OptiWash & Dry™, Super Speed, Heavy Duty, Small Load, Tide POD Cold, Delicates, Steam Whites, Steam Sanitize, Steam Normal, Towels, Bedding, Activewear, Wool, Colors, Perm Press, Eco Cold, Rinse+Spin, Spin Only, Less Microfiber, Time Dry, Air Fluff, Product Care
34 Options	Delay End, Dispenser 1 – General Detergent, Dispenser 2 - Specialty Detergent & Softener, Extra Rinse, Bubble Soak, Dry Prep, Wrinkle Prevent, Eco Dry, Samsung Accounts, Connections, Child Lock, Sounds, Home Device Notifications, Display, Display and Style, Bixby, Microphone, Language, Liquid Units, Date and Time, Accessibility, Software Update, Support, Factory Reset, About Product, Drum Light, Auto Dispenser, Pump Clean, Auto Open Door, AI Pattern, My Cycles, Vent Blockage Test, Calibration, Self Diagnosis
5 Temperature Settings	Extra Hot, Hot, Warm, Cold, Tap Cold
5 Spin Settings	Extra High, High, Medium, Low, Extra Low
5 Soil Settings	Extra Heavy, Heavy, Normal, Light, Extra Light
5 Dry Levels	Very Dry, More Dry, Normal Dry, Less Dry, Damp Dry

Ratings	Electrical Requirements
CEE Tier 2	240 V / 60 Hz
IMEF = 2.96	
IWF = 2.9	
103 kWh/year	30 Amps
	

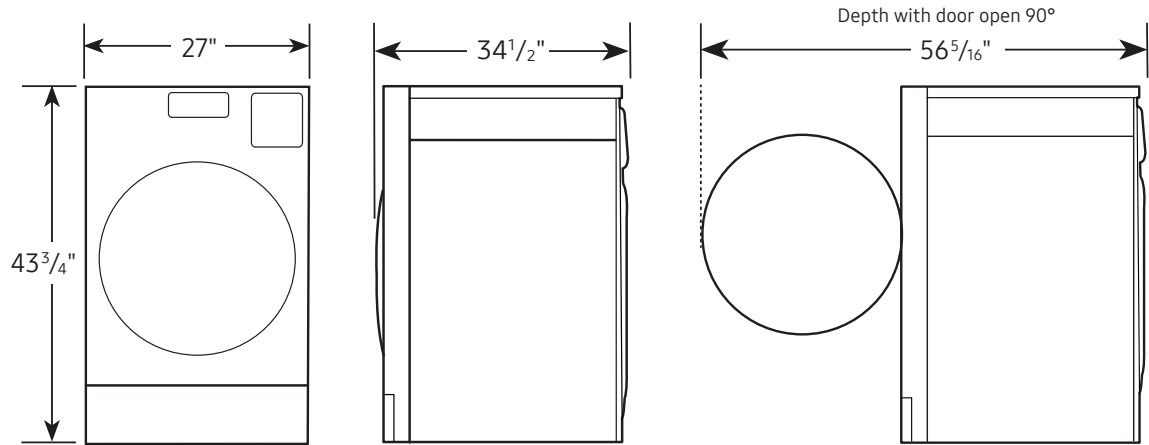
*Available on Android and iOS devices. A Wi-Fi connection and a Samsung account are required.

**20-year warranty limited to the Digital Inverter Motor purchased on 7/1/2022 or later. Purchase receipt indicating purchase date required for a claim. Additional restrictions and limitations apply; see warranty for details.

WD90F53AV

5.3 cu ft. Bespoke AI Vented Laundry Combo™ All-in-One Ultra Capacity Washer and Electric Dryer with AI Home

Dimensions



Installation Specifications

If the Laundry Combo is installed in the same location with other washer or dryer, the front of the alcove or closet must have two unobstructed air openings for a combined minimum total area of 72-inch².

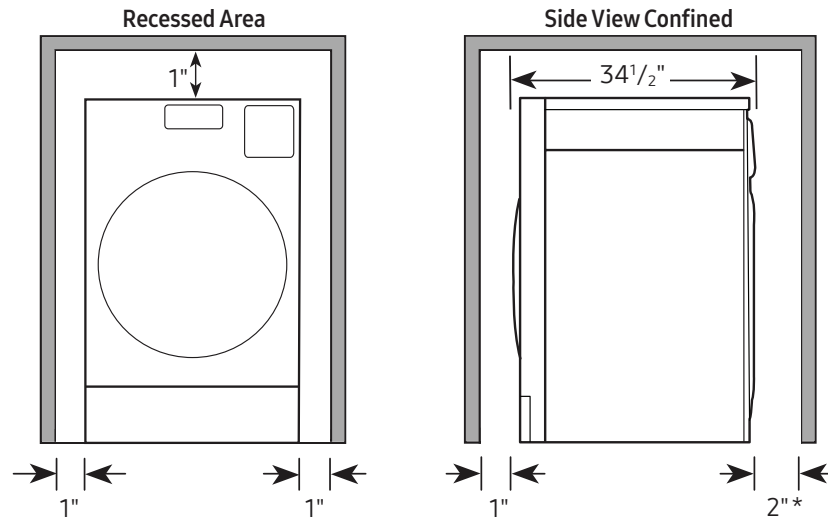
Alcove or closet installation

Minimum clearance for closet and alcove installations:

*To install with a 2-inch rear clearance, duct piping must be installed so that it protrudes above the product.

A minimum of 4 inches of rear clearance must be secured when the duct pipe needs to be installed below the back of the product.

Please install according to the installer's guide during installation.

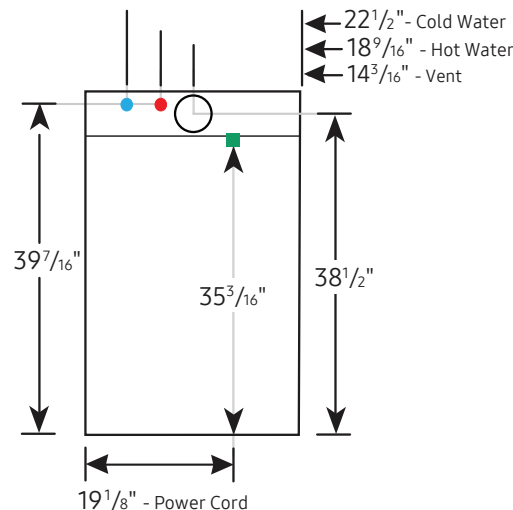


Connection Dimensions

Back view of All-in-One Laundry Combo™

LEGEND:

- Cold Water Connection
- Hot Water Connection
- Power Cord
- Vent



Actual color may vary. Design, specifications, and color availability are subject to change without notice. Non-metric weights and measurements are approximate.

©2025 Samsung Electronics America, Inc., 85 Challenger Road, Ridgefield Park, NJ 07660. Tel: 800-SAMSUNG. samsung.com. Samsung is a registered trademark of Samsung Electronics Co., Ltd.