



# DIGITAL AIR FRY TOASTER OVEN

**SAFETY INFORMATION** .....3

**PARTS INCLUDED** .....4

**GETTING STARTED** .....5

**CONTROLS** .....6

**FUNCTIONS** .....7

**USING THE TOASTER OVEN** ....7

**COOKING GUIDE** .....8

**CARE AND CLEANING** .....10

**TROUBLESHOOTING**.....10

**LIMITED WARRANTY** ..... 11

**CONSUMER SUPPORT** ..... 12

**OWNER'S MANUAL**

G90AAASSPSS

**ENGLISH/FRANÇAIS**

Write the model and serial numbers here:

Model # \_\_\_\_\_

Serial # \_\_\_\_\_

Find these numbers on a label  
on the back of the unit.

**THANK YOU FOR MAKING GE APPLIANCES A PART OF YOUR HOME.**

---

Whether you grew up with GE Appliances, or this is your first, we're happy to have you in the family.

We take pride in the craftsmanship, innovation and design that goes into every GE Appliances product, and we think you will too. Among other things, registration of your appliance ensures that we can deliver important product information and warranty details when you need them.



# IMPORTANT SAFETY INFORMATION

## READ ALL INSTRUCTIONS BEFORE USING THE APPLIANCE

**▲ WARNING** Read all safety instructions before using the product. Failure to follow these instructions may result in fire, electrical shock, serious injury, or death.

### IMPORTANT SAFEGUARDS

Always follow these safety precautions when using this appliance.

- Carefully read all instructions before operating the toaster oven.
- Remove and discard all packaging materials prior to operating the oven.
- **▲ WARNING** Remove plug from outlet when the appliance is not in use, before putting on or taking off parts, and before cleaning. Allow to cool before cleaning.
- **▲ WARNING** To reduce risk of fire or electric shock, always operate oven with crumb tray properly installed.
- To protect against electrical shock do not immerse cords, plugs, or appliance in water or other liquid.
- Always place oven on a level, stable, and heat-resistant surface whenever oven is in operation
- Keep at least 4" (10 cm) clearance on all sides of the appliance whenever oven is in operation. Do not operate appliance underneath wall cabinets.
- Do not place any of the following materials in the oven: paper, plastic, pot holders, linens, gasoline or other flammable vapors and liquids.
- A fire may occur if the toaster-oven is covered or touching flammable material, including curtains, draperies, walls, and the like, when in operation. Do not store any item on top of the appliance when in operation.
- The exterior surfaces of the appliance can be hot during and after oven operation. Allow appliance to cool completely before handling appliance.
- Do not store items on top of the appliance, as this surface can be very hot during and after oven operation.
- To prevent burns or injury, always use proper protection, such as hot pads or oven mitts, when removing or handling items from oven.
- Do not touch heating elements or interior surface of oven during or after use. Allow to cool before cleaning or handling.
- Do not let power cord hang over edge of table or counter. Do not let power cord contact hot surfaces.
- Always clean the oven according to cleaning and care instructions, as provided on page 10.
- Do not clean with metal scouring pads. Pieces can break off the pad and touch electrical parts involving a risk of electric shock.
- Do not operate any appliance with a damaged cord or plug or after the appliance malfunctions or has been damaged in any manner. Return appliance to the nearest authorized service facility for examination, repair, or adjustment.
- Oversize foods or metal utensils must not be inserted in a toaster-oven as they may create a fire or risk of electric shock.
- The use of accessory attachments not recommended by the appliance manufacturer may cause injuries.
- Do not store any materials, other than manufacturers recommended accessories, in this oven when not in use.
- This appliance is intended for indoor household use only. Do not store or operate outdoors.
- Do not use appliance for other than intended use.
- Do not leave children alone - children should not be left alone or unattended in an area where an appliance is in use.
- Always stop oven operation before unplugging the appliance.
- Before handling, moving, or cleaning the appliance, always unplug the power cord from the wall outlet and ensure the appliance has properly cooled.
- Do not place on or near a hot gas or electric burner, or in a heated oven.
- Cook food thoroughly to help protect against foodborne illness. Minimum safe food temperature recommendations can be found at [IsItDoneYet.gov](http://IsItDoneYet.gov) and [fsis.usda.gov](http://fsis.usda.gov). Use a food thermometer to take food temperatures and check several locations.
- Extreme caution should be exercised when using containers constructed of other than metal or glass.
- Extreme caution must be used when moving an appliance containing hot oil or other hot liquids.
- Use extreme caution when removing tray or disposing of hot grease.
- Do not cover crumb tray or any part of the oven with metal foil. This will cause overheating of the oven.
- To disconnect, turn any control to "off", then remove plug from wall outlet.
- Avoid contacting moving parts.

**▲ WARNING**  **RISK OF FIRE OR ELECTRIC SHOCK**

- **TO REDUCE THE RISK OF FIRE OR ELECTRIC SHOCK, DO NOT REMOVE COVER (OR BACK).**
- **Do not attempt to repair or replace any part of your toaster oven unless it is specifically recommended in this manual. All other servicing should be performed by authorized service personnel.**

**▲ CAUTION** To ensure continued protection against risk of electric shock, connect to properly grounded outlets only.

**▲ WARNING** **KEEP FLAMMABLE MATERIALS AWAY FROM THE TOASTER OVEN**

Failure to do so may result in fire or personal injury.

- Do not store or use flammable materials in a toaster or near the toaster opening, including paper, plastic, pot holders, linens, wall coverings, curtains, drapes and gasoline or other flammable vapors and liquids.
- Never wear loose-fitting or hanging garments while using the appliance. These garments may ignite if they contact hot surfaces causing severe burns.

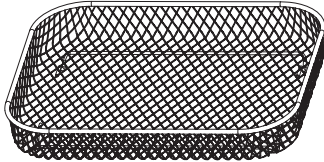
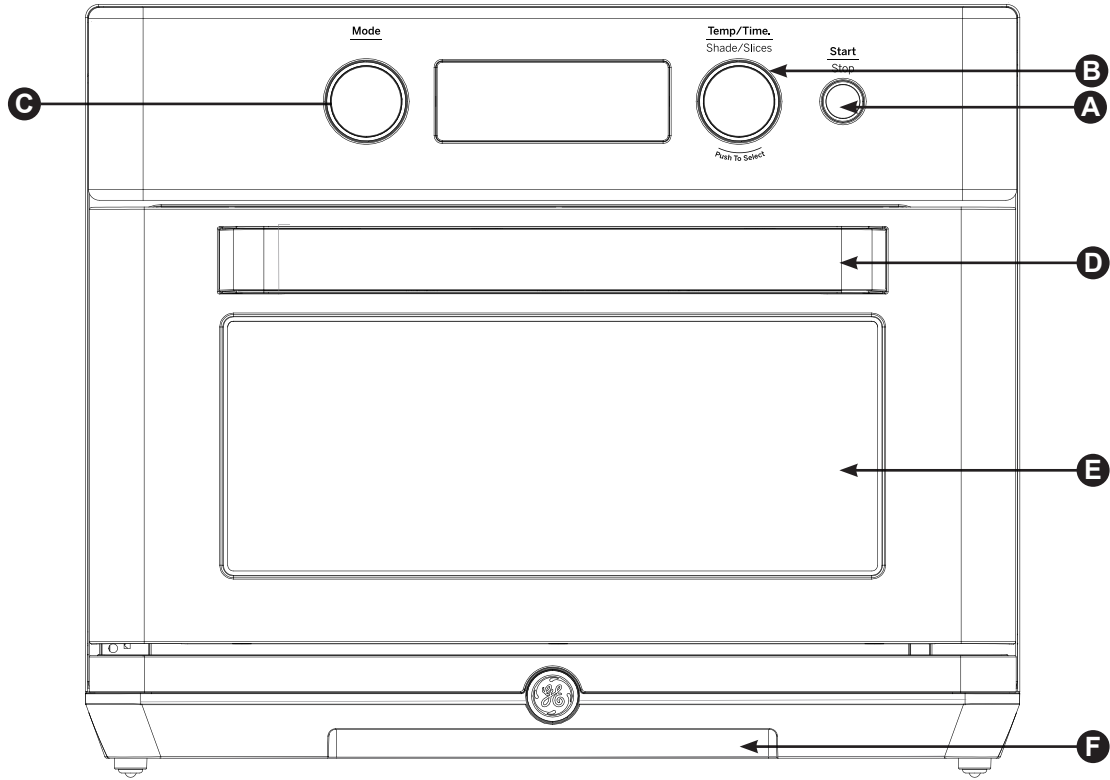
**▲ CAUTION** **A short power-supply cord is provided to reduce the risk resulting from becoming entangled in or tripping over a longer cord.**

If an extension cord is used:

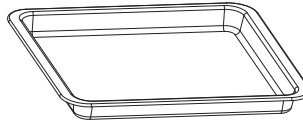
- 1) The marked electrical rating of the cord set or extension cord should be at least as great as the electrical rating of the appliance;
- 2) The cord should be arranged so that it will not drape over the countertop or tabletop where it can be pulled on by children or tripped over unintentionally;
- 3) The cord set or extension cord should be a grounding-type 3-wire cord.

## READ AND SAVE THESE INSTRUCTIONS

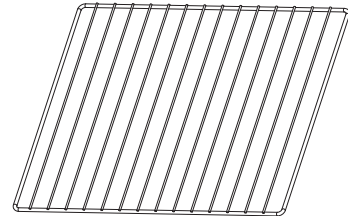
# Parts Included



Air Fry Basket



Baking Pan



Baking Rack

- A** Start / Stop Button
- B** Temp / Time Knob
- C** Mode Knob

- D** Handle
- E** Door Window
- F** Crumb Tray

# Getting Started

---

## Unpacking and Cleaning

- Remove and safely discard all packing materials before operating the oven.
- It is recommended to wipe the interior of the oven cavity with a damp sponge before first use.
- It is recommended to thoroughly clean all accessories before first use. Accessories may be cleaned with warm, soapy water. Rinse and dry thoroughly.
- Place the oven on a level and stable surface where oven has at least 4" (10cm) of clearance on all sides of the unit, and at least 4" (20cm) of clear space above.
- Do not place or store any items on top of the oven, with the exception of the provided accessories.

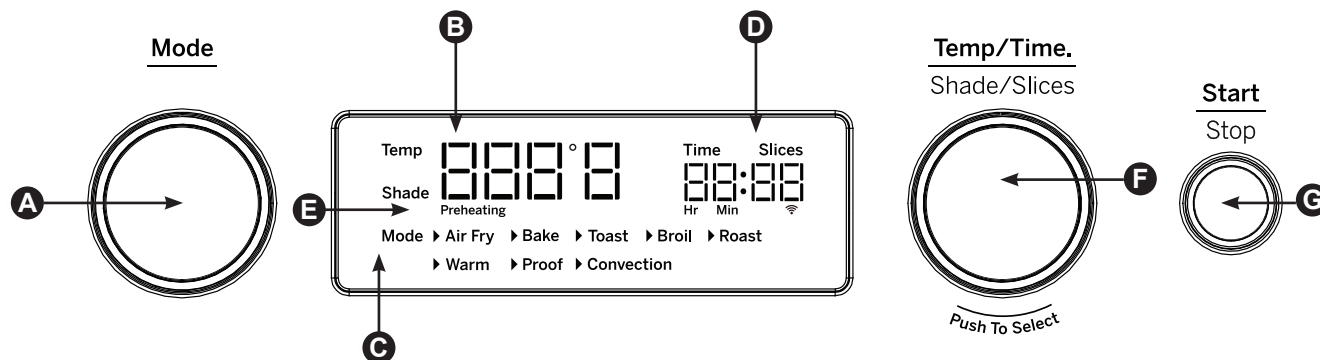
## Powering the Oven

- Unravel power cord and plug into a grounded 120V power outlet.
- Upon plugging into power outlet, LCD screen will illuminate and all icons will briefly display.
- By default, the LCD screen will display the Air Fry cooking mode.

## Before First Use

- It is recommended to operate the oven empty for 20-30 minutes before first use. This will ensure any protective films on the heating elements are removed.
- When using the oven for the first time, the oven may emit visible vapors and/or a slight odor. The vapors and odor are normal, safe, and not detrimental to the oven. Ensure that the room is well ventilated.

# Controls



- A Cooking Mode Knob**  
This knob rotates to select the desired cooking mode
- B Temperature/Shade Display**  
Shows the selected oven temperature.  
Also shows the selected shade level for TOAST mode.
- C Cooking Mode Display**  
The selected cooking mode will be indicated by the ▶ symbol.
- D Time/Slices Display**  
Shows the remaining cook time for the current cooking mode.  
Also shows the number of slices selected for TOAST mode.
- E Preheating Notification**  
Indicates that the oven is currently preheating to the selected temperature
- F Cooking Settings Knob**  
This knob rotates to adjust the desired settings for each cooking mode.  
This knob also functions as a button. Pressing the knob button toggles between adjustment of the slices/shade or time/temperature, depending on the cooking mode selected.
- G Start/Stop Button**  
When the oven is not in operation, this button starts the selected cooking mode with the selected oven settings.  
When the oven is currently in operation, this button stops the current cooking mode.

# Functions

## Air Fry

This mode is ideal for browning and crisping the exterior of foods. The air fry mode can produce a taste and texture similar to deep frying without the need to submerge the food in oil.

## Bake

This mode is ideal for cooking foods that generally lack structure before the cooking process, such as cakes, cookies, muffins, pastries, pies, lasagnas, and casseroles. Food will be cooked thoroughly and evenly, which also makes this mode suitable for packaged frozen meals.

## Toast

This mode is ideal for browning slices of bread, bagels, English muffins, and frozen waffles. Each slice will be browned evenly on both sides without the need for flipping the food.

## Broil

This mode is ideal for quickly searing meats (e.g. steaks or fish), crisping vegetables (e.g. potatoes), or browning the top surface of foods (e.g. casseroles).

## Roast

This mode is ideal for cooking foods that are generally solid before the cooking process, including a wide variety of meats and vegetables. Foods will be tender and moist on the inside, while developing a crispy texture on the exterior.

## Proof

This mode is ideal for preparing yeast bread and other baked goods where the dough is allowed to rest and rise before baking. The low temperature heat will facilitate fermentation.

## Keep Warm

This mode is useful for keeping freshly cooked meals warm while waiting for guests or preparing the rest of the meal.

## Convection Roast

This mode is similar to the ROAST mode, but activates the convection fan to circulate hot air around the food. This causes the food to cook faster than normal ROAST mode, but the oven temperature may need to be reduced for some recipes.

# Using the Toaster Oven

## Selecting the Cooking Mode

To choose the cooking mode, rotate the "Mode" knob until the ► symbol is next to the desired cooking mode.

## Adjusting the Oven Settings

The settings for each cooking mode can be adjusted by using the Temp/Time knob. The knob can be rotated clockwise to increase the setting value, or it can be rotated counterclockwise to decrease the setting value.

The Temp/Time knob also functions as a button. Pushing the button will toggle between the settings being adjusted (Slices/Shade or Temperature/Time).

For TOAST mode, use this knob to adjust the number of slices of bread being toasted and the desired shade.

For all other cook modes, use this knob to adjust the desired oven temperature and cooking time.

## Starting the Cooking Cycle

After selecting the desired cooking mode and adjusting the settings, place the food in the oven and press the "Start/Stop" button to begin the cooking cycle.

## Preheating the Oven

For BAKE, ROAST, BROIL, and CONVECTION:

Upon starting the cooking cycle, the "Preheating" notification will begin to flash on the LCD screen and the cook timer will begin to count down immediately. When the oven has heated to the set temperature, the oven will emit an audible beep and the "Preheating" icon will disappear from the screen.

**NOTE:** The cooking time may need to be adjusted to account for the preheating time. See next section, "Adjusting Settings While Cooking".

For AIR FRY, TOAST, WARM, and PROOF:

These cooking modes do not require preheating. Immediately upon starting the cooking cycle, the cook timer will begin to count down.

## Adjusting Settings While Cooking

At any time during the cooking cycle, the temperature, time, shade, and/or slices may be adjusted. Push the "Temp/Time" knob and then rotate it to adjust the oven temperature. Push the knob again to toggle between adjusting the temperature and cook time. Once the settings are as desired, no further action is required. The adjustment mode will timeout and the new settings will be confirmed.

**NOTE:** The cook mode cannot be changed while the oven is in operation. Press the "Start/Stop" button to end the current cooking cycle and then select the desired cook mode.

## Ending the Cooking Cycle

When the selected cooking time has elapsed, the oven alarm will sound to indicate that the cooking cycle is complete. The oven will then shut off automatically. The cooking cycle can also be ended at any time by pressing the "Start/Stop" button.

**NOTE:** For some cooking modes, the internal fan will continue to operate for 2 minutes after the cooking cycle has completed. This is to ensure that internal components of the oven are properly cooled. The word "COOL" will be displayed on the LCD screen until the fan automatically shuts off.

Even though you may hear the fan running during this time, the unit will return to standby mode and the heating elements will be turned off until the next cooking cycle is started.

# Cooking Guide

## Cooking Guide

Cook food thoroughly to help protect against foodborne illness. Minimum safe food temperature recommendations can be found at [IsItDoneYet.gov](http://IsItDoneYet.gov). Always check internal food temperature to confirm minimum safe temperatures have been reached.

### Recommended Oven Rack Positions by Cooking Mode

Cooking Mode	Oven Rack	Baking Pan	Air Fry Basket
Air Fry	---	---	Middle
Bake	Middle or Lower	Middle or Lower	---
Toast	Middle	---	---
Broil	Upper	Upper	Upper
Roast	Middle or Lower	Middle or Lower	---
Warm	Any	Any	Any
Proof	Any	Any	Any
Convection	Middle or Lower	Middle or Lower	---

### Air Fry Cooking Guidelines

Air Fry is a special, no-preheat cooking mode that is designed to produce foods with a crispier exterior than traditional oven cooking. This cooking mode doesn't require oil but spraying a light coating on food prior to cooking can enhance exterior crispiness and browning.

It is generally recommended to use the provided air fry basket in the middle rack position for air frying. Foods may cook faster than expected if the oven is already hot when food is placed in the oven. If foods are browning or drying out too quickly, try using the lower rack position or setting a lower oven temperature.

To avoid the need to stir or flip food during cooking, arrange the food in a single layer in the basket. Overcrowding the basket may negatively impact food texture and prolong cook times.

Food Type	Quantity	Temperature	Time
Thick Cut Bacon	6 oz or 6 slices	400°F	10-13 minutes
Fresh Wings	1 lbs. or 12 wings	400°F	25 minutes
Frozen Wings	1 ½ lbs. or 12 wings	400°F	25-30 minutes
Fresh hand-Cut French Fries	2 lbs. or 2 to 4 medium potatoes	400°F	30 minutes
Fresh Hand-Cut Steak Fries	1 lbs. or 2 to 4 medium potatoes	400°F	15-20 minutes
Frozen French Fries	1 lbs.	400°F	15 minutes
Frozen Steak Fries	1 lbs.	450°F	15 minutes
Mozzarella Sticks	1 ½ lbs. or 22 pieces	400°F	10 minutes
Fish Sticks	12oz	400°F	8 minutes
Chicken Nuggets	1 lbs. or 34 pieces	400°F	15-20 minutes
Frozen Shrimp	1 lbs. or 29 pieces of Frozen Shrimp	380°F	9 minutes
Vegetables	1 lbs. of Fresh Green Beans	400°F	10-15 minutes





## Care and Cleaning

1. Be sure the oven is turned off, unplugged, and cool before beginning cleaning.
2. Clean the glass door with a sponge, soft cloth, or nylon pad and sudsy water. Do not use a spray cleaner.
3. Remove slide rack and bake pan; wash in soapy water. To remove stubborn spots, use a polyester or nylon pad.
4. Remove crumb tray using the handle and dispose of crumbs. Wipe tray with a damp cloth and dry thoroughly before placing back into the oven.
5. Wipe the outside of the oven with a damp cloth or sponge. Dry thoroughly.
6. Do not attempt to clean the heating elements. Any food that comes into contact with the elements will burn off on its own.

### COOKING CONTAINERS

Only metal, oven-proof glass or ceramic cookware without glass lids are recommended for use in this oven. Follow the manufacturers' cleaning instructions to clean each of these products.

## Troubleshooting

Save time and money! Review the charts on the following pages first and you may not need to call for service.

Problem	Solution
The power indicator or display window does not turn on even though it is plugged in.	Ensure that the power cord is properly plugged into a power outlet. Press any button to ensure oven is not in Sleep Mode.
Oven fails to get hot	There is a problem with the main unit. Contact GE Appliances for customer support.
Oven omits a burnt smell	Ensure that the cooking time is appropriately set and that food is not being overcooked. Fats, oils, and sauces that have dripped onto the lower heating elements may cause some smoke or burning smell during oven operation. Ensure that the baking tray, oven rack, and drip tray are thoroughly clean before each use.
Heater tubes turn off during cooking.	The heater tubes turn on/off to control temperature. It is not a malfunction.
Smoke comes out.	The fat from the food sticking to the heater may cause smoke during cooking especially using "Broil" menu. Set lower temperature if necessary.
E1, E2, or E3 appears on the display window.	These error codes indicate a problem with the toaster oven. Contact GE Appliances for customer support.

# GE Appliances Limited Warranty

**LIMITED WARRANTY**

If your appliance fails to operate properly while in use under normal household conditions within the warranty period, visit [geappliances.com/contact](http://geappliances.com/contact) for product care/maintenance self-help.

To initiate a warranty claim, please visit [geappliances.com/contact](http://geappliances.com/contact), or call **1-800-GECARES**. Please have your model number and serial number available. Return and packing instruction information will be provided at that time

For the Period of:	GE Appliances Covers
<b>One Year</b> From the date of the original purchase	If the toaster oven fails due to a defect in materials or workmanship, during the <b>limited one-year warranty</b> , GE Appliances will either repair your product, replace your product with a new or remanufactured product, or refund the purchase price of the product at GE Appliances sole discretion.

## What GE Appliances Will Not Cover:

- Failure of the product if it is abused, misused, or used for other than the intended purpose or used commercially.
  - Replacement of house fuses or resetting of circuit breakers.
  - Damage caused after delivery.
- Damage to the product caused by accident, fire, floods or acts of God.
  - Incidental or consequential damage caused by possible defects with this appliance.

**EXCLUSION OF IMPLIED WARRANTIES**  
Your sole and exclusive remedies are product exchange or refund as provided in this Limited Warranty. Any implied warranties, including the implied warranties of merchantability or fitness for a particular purpose, are limited to one year or the shortest period allowed by law.

**For sale in the 50 United States and the District of Columbia only:** For US Customers: This limited warranty is extended to the original purchaser for products purchased for home use within the USA. Some states do not allow the exclusion or limitation of incidental or consequential damages. This warranty gives you specific legal rights, and you may also have other rights which vary from state to state. To know what your legal rights are, consult your local or state consumer affairs office or your state's Attorney General.

**Warrantor: GE Appliances, a Haier company**  
**Louisville, KY 40225**

**For Customers in Canada:** This limited warranty is extended to the original purchaser and any succeeding owner for products purchased in Canada for home use within Canada. In-home warrant service will be provided in areas where it is available and deemed reasonable by Mabe to provide.

**Warrantor Canada: MC Commercial, Burlington, Ontario, L7R 5B6**

Staple your receipt here. Proof of the original purchase date is needed to obtain service under the warranty.

# Customer Support / Return Contacts

---

## Service and Registration

Register your new appliance on-line at your convenience! Timely product registration will allow for enhanced communication and prompt service under the terms of your warranty, should the need arise.

Register your appliance at **[GEAppliances.com/register](http://GEAppliances.com/register)**.

---

## Contact Us

If you are not satisfied with the service you receive from GE Appliances, contact us on our Website with all the details including your phone number, or write to:

In the US: General Manager, Customer Relations | GE Appliances, Appliance Park | Louisville, KY 40225

**[GEAppliances.com/contact](http://GEAppliances.com/contact)**

In Canada: Director, Consumer Relations, Mabe Canada Inc. | Suite 310, 1 Factory Lane | Moncton, N.B. E1C 9M3

**[GEAppliances.ca/en/contact-us](http://GEAppliances.ca/en/contact-us)**



# FOUR GRILLE-PAIN NUMÉRIQUE AVEC FRITURE À AIR CHAUD

<b>CONSIGNES DE SÉCURITÉ IMPORTANTES</b>	<b>. 3</b>
<b>PIÈCES INCLUSES</b>	<b>..... 4</b>
<b>POUR COMMENCER</b>	<b>..... 5</b>
<b>COMMANDES</b>	<b>..... 6</b>
<b>FONCTIONS</b>	<b>..... 7</b>
<b>UTILISATION DU FOUR GRILLE-PAIN</b>	<b>..... 7</b>
<b>GUIDE DE CUISSON</b>	<b>..... 8</b>
<b>ENTRETIEN ET NETTOYAGE</b>	<b>. 10</b>
<b>DÉPANNAGE</b>	<b>..... 10</b>
<b>GARANTIE LIMITÉE</b>	<b>..... 11</b>
<b>SOUTIEN AU CONSOMMATEUR</b>	<b>..... 12</b>

Inscrivez les numéros de modèle et de série  
ici :

No de modèle \_\_\_\_\_

No de série \_\_\_\_\_

Vous trouverez ces numéros sur l'étiquette  
à l'arrière de l'appareil.

## MANUEL D'UTILISATION

G90AAASSPSS

**ENGLISH/FRANÇAIS/  
ESPAÑOL**

## **NOUS VOUS REMERCIONS D'INTÉGRER GE APPLIANCES À VOTRE DEMEURE.**

Que vous ayez grandi avec des électroménagers GE ou qu'il s'agisse de votre première acquisition, nous sommes heureux de vous accueillir dans notre famille.

Nous sommes fiers du savoir-faire, de l'innovation et du design qui constituent chaque électroménager GE, et nous pensons que vous le serez aussi. Nous vous rappelons que l'enregistrement de votre électroménager vous assure de recevoir des renseignements importants sur le produit et la garantie lorsque vous en avez besoin.



**GE APPLIANCES**

# CONSIGNES DE SÉCURITÉ IMPORTANTES

## LISEZ TOUTES LES INSTRUCTIONS AVANT D'UTILISER L'APPAREIL

### ⚠ AVERTISSEMENT

Veillez lire toutes les consignes de sécurité avant d'utiliser le produit. L'omission d'observer ces consignes peut poser un risque d'incendie, de choc électrique, de blessure grave ou fatale.

## MESURES DE SÉCURITÉ IMPORTANTES

Observez toujours les présentes consignes de sécurité lorsque vous utilisez cet électroménager.

- Lisez attentivement toutes les instructions avant de faire fonctionner le four grille-pain.
- Retirez et jetez tous les matériaux d'emballage avant d'utiliser le four.

### ⚠ AVERTISSEMENT

- **DÉBRANCHEZ L'APPAREIL DE LA PRISE QUAND IL N'EST PAS UTILISÉ ET AVANT LE NETTOYAGE.** Laissez le four refroidir avant de le nettoyer ou de le manipuler.

### ⚠ AVERTISSEMENT

- Pour réduire les risques d'incendie ou d'électrocution, faites toujours fonctionner le four avec le plateau ramasse-miettes correctement installé.
- Pour vous protéger contre les chocs électriques, ne plongez pas les cordons, les fiches ou l'appareil dans l'eau ou tout autre liquide.
- Placez toujours le four sur une surface plane, stable et résistante à la chaleur chaque fois que le four est en marche
- Gardez un dégagement d'au moins 4 "(10 cm) sur tous les côtés de l'appareil lorsque le four est en marche. N'utilisez pas l'appareil sous des armoires murales.
- Un incendie peut se produire si le four grille-pain est couvert ou touche un matériau inflammable, y compris des rideaux, des rideaux, des murs, etc., lorsqu'il fonctionne. Ne rangez aucun article sur le dessus de l'appareil lorsqu'il est en marche.
- Les surfaces extérieures de l'appareil peuvent être chaudes pendant et après le fonctionnement du four. Laissez l'appareil refroidir complètement avant de manipuler l'appareil.
- Ne rangez pas d'articles sur le dessus de l'appareil, car cette surface peut être très chaude pendant et après le fonctionnement du four.
- Pour éviter les brûlures ou les blessures, utilisez toujours une protection appropriée, comme des coussinets chauffants ou des gants de cuisine, lorsque vous retirez ou manipulez des articles du four.
- Ne touchez pas les éléments chauffants ou la surface intérieure du four pendant ou après l'utilisation. Laissez refroidir avant le nettoyage ou la manipulation.
- Ne laissez pas le cordon d'alimentation pendre du bord de la table ou du comptoir. Ne laissez pas le cordon d'alimentation entrer en contact avec des surfaces chaudes.
- Nettoyez toujours le four conformément aux instructions de nettoyage

et d'entretien, comme indiqué à la page 10. parties du four.

- Ne nettoyez pas avec des tampons à récurer métalliques. Des pièces peuvent se détacher du tampon et toucher les pièces électriques, ce qui présente un risque de choc électrique.
- N'utilisez aucun appareil dont le cordon ou la fiche sont endommagés ou après un dysfonctionnement de l'appareil ou s'il a été endommagé de quelque manière que ce soit.
- Il est recommandé de n'utiliser que les accessoires fournis à l'origine avec cet appareil.
- Ne stockez aucun matériau, autre que les accessoires recommandés par le fabricant, dans ce four lorsqu'il n'est pas utilisé.
- Cet appareil est destiné à un usage domestique à l'intérieur uniquement. Ne pas stocker ni utiliser à l'extérieur.
- N'utilisez pas l'appareil à d'autres fins que celles pour lesquelles il a été conçu.
- Ne laissez pas les enfants seuls - les enfants ne doivent pas être laissés seuls ou sans surveillance dans une zone où un appareil est utilisé.
- Arrêtez toujours le fonctionnement du four avant de débrancher l'appareil.
- Avant de manipuler, déplacer ou nettoyer l'appareil, débranchez toujours le cordon d'alimentation de la prise murale et assurez-vous que l'appareil a bien refroidi.
- Ne pas placer sur ou à proximité d'un brûleur à gaz ou électrique chaud, ou dans un four chauffé.
- Faites bien cuire les aliments pour les protéger contre les maladies d'origine alimentaire. Les recommandations relatives à la température minimale de sécurité des aliments sont disponibles sur [IsItDoneYet.gov](http://IsItDoneYet.gov) et [fsis.usda.gov](http://fsis.usda.gov). Utilisez un thermomètre pour aliments pour prendre la température des aliments et vérifier plusieurs endroits.
- Une extrême prudence doit être exercée lors de l'utilisation de récipients construits autrement qu'en métal ou en verre.
- Soyez extrêmement prudent lorsque vous retirez le plateau ou jetez de la graisse chaude.
- Ne couvrez pas le plateau ramasse-miettes ni aucune partie du four avec du papier d'aluminium. Cela entraînera une surchauffe du four.

### ⚠ AVERTISSEMENT



### RISQUE D'INCENDIE OU DE CHOC ÉLECTRIQUE

- **POUR RÉDUIRE LE RISQUE D'INCENDIE OU DE CHOC ÉLECTRIQUE, NE RETIREZ PAS LE COUVERCLE (OU L'ARRIÈRE)**

- **Ne tentez pas de réparer ou de remplacer une pièce quelconque du robot culinaire, sauf si cela est recommandé dans ce manuel. Toute réparation doit être effectuée par un technicien en réparation autorisé.**

### ⚠ ATTENTION

Afin d'assurer une protection continue contre le risque de choc électrique, branchez l'appareil dans des prises correctement mises à la terre seulement.

### ⚠ AVERTISSEMENT

### GARDEZ LES MATIÈRES INFLAMMABLES À DISTANCE DU AVEC FRITURE À AIR CHAUD

L'omission de prendre cette précaution peut causer un incendie ou une blessure corporelle.

- Ne rangez ni n'utilisez des matières inflammables dans le grille-pain ou près de son orifice, y compris le papier, le plastique, les poignées ou mitaines de four, le linge de maison, le revêtement mural, les rideaux, les draperies, l'essence ou d'autres vapeurs ou liquides inflammables.
- Ne portez jamais de vêtements amples ou pendants lorsque vous utilisez l'électroménager. Ces vêtements peuvent prendre feu au contact de surfaces chaudes et causer des brûlures graves.

### ⚠ ATTENTION

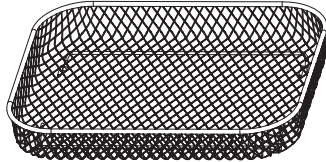
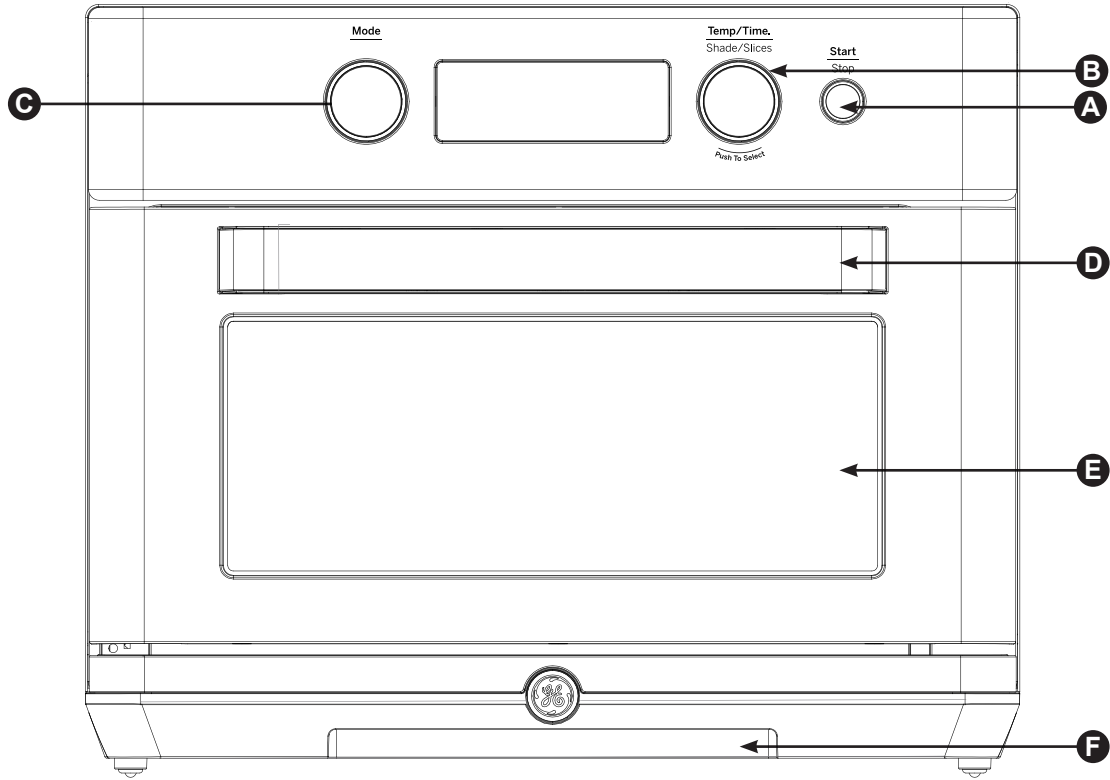
### Un cordon d'alimentation court est fourni pour réduire le risque de s'emmêler ou de trébucher sur un cordon plus long.

Si une rallonge est utilisée:

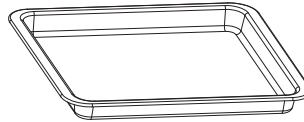
- 1) La puissance électrique indiquée du cordon ou de la rallonge doit être au moins aussi élevée que la puissance électrique de l'appareil;
- 2) Le cordon doit être disposé de telle sorte qu'il ne se drapasse pas sur le comptoir ou la table où il pourrait être tiré par des enfants ou trébuché involontairement;
- 3) Le cordon ou la rallonge doit être un cordon à 3 fils avec mise à la terre.

# LISEZ ET CONSERVEZ CES INSTRUCTIONS

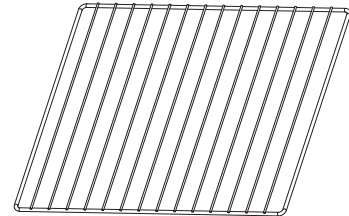
# Pièces Incluses



Panier de friture à air chaud



Plaque de cuisson



Grille de cuisson

- A** Bouton Start/Stop (marche/arrêt)
- B** Sélecteur Temp/Time (température/minuterie)
- C** Sélecteur des modes

- D** Poignée
- E** Fenêtre de porte
- F** Ramasse-miettes



## Déballage et nettoyage

- Retirez et jetez proprement toutes les matières d'emballage avant d'utiliser le four.
- Nous recommandons d'essuyer l'intérieur de la cavité du four avec une éponge humide avant la première utilisation.
- Nous recommandons de nettoyer à fond tous les accessoires avant la première utilisation. Les accessoires doivent être nettoyés avec de l'eau tiède savonneuse. Rincez et séchez à fond.
- Placez le four sur une surface de niveau et stable où il dispose d'un dégagement d'au moins 10 cm (4 po) sur tous les côtés, et d'au moins 20 cm (8 po) au dessus.
- Ne placez ni ne rangez aucun article sur le dessus du four, à l'exception des accessoires fournis.

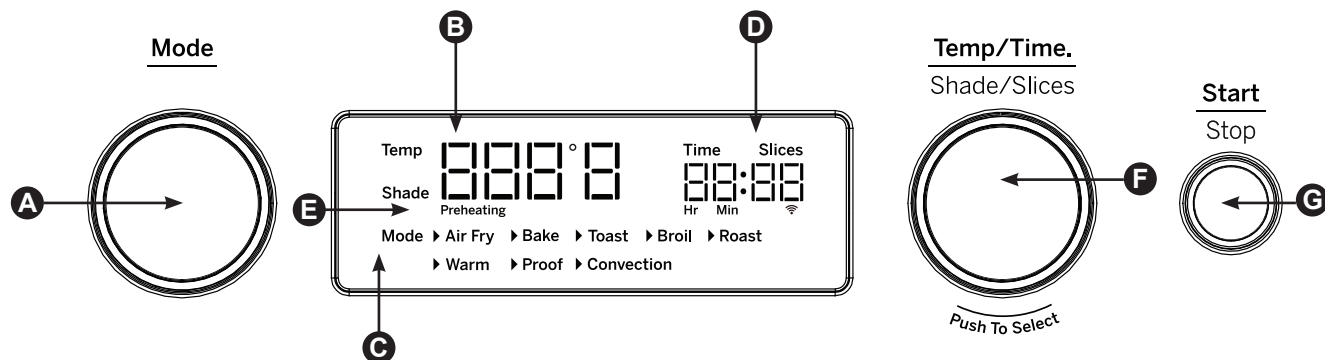
## Mise en marche du four grille-pain

- Déroulez le cordon et branchez-le dans une prise de 120 V.
- Une fois le cordon branché, l'écran va s'allumer et toutes les icônes vont s'afficher brièvement.
- Par défaut, l'écran affiche le mode de cuisson Air Fry (friture à air chaud).

## Avant la première utilisation

- Nous recommandons de faire fonctionner le four à vide durant 20 à 30 minutes avant la première utilisation. Cela permet de retirer toute pellicule plastique qui se trouverait sur les éléments chauffants.
- Lorsque vous utilisez le four grille-pain pour la première fois, il peut émettre une vapeur visible et/ou une légère odeur. Cette vapeur et cette odeur sont normales, sûres et sans problème pour le four. Assurez-vous que la pièce est bien ventilée.

# Commandes



- A Sélecteur des modes de cuisson**  
Le sélecteur tourne pour sélectionner le mode de cuisson désiré.
- B Affichage de la température ou de la nuance (Temp/Shade)**  
Indique la température de four sélectionnée.  
Affiche aussi la nuance de grillage sélectionnée dans le mode TOAST (pain grillé).
- C Affichage du mode de cuisson**  
Le mode de cuisson est indiqué par le symbole ►.
- D Affichage du temps de cuisson et des tranches (Time/Slices)**  
Affiche le décompte du temps de cuisson pour le mode de cuisson en cours.  
Affiche aussi le nombre de tranches choisi pour le mode TOAST (pain grillé).
- E Avis de préchauffage**  
Indique que le four est en cours de préchauffage à la température choisie.
- F Sélecteur des réglages de cuisson**  
Ce sélecteur tourne pour régler la cuisson de chaque mode de cuisson.  
Ce sélecteur fonctionne aussi comme un bouton. Pressez ce sélecteur pour basculer entre le réglage des nuances et des tranches (Shade/Slices), ou celui de la minuterie et de la température (Time/Temp), selon le mode de cuisson choisi.
- G Bouton Start/Stop (marche/arrêt)**  
Lorsque le four grille-pain n'est pas en marche, ce bouton démarre le mode de cuisson choisi avec les réglages sélectionnés.  
Lorsque le four grille-pain est en marche, ce bouton arrête le fonctionnement du mode de cuisson en cours.

# Fonctions

## Friture à air chaud (Air Fry)

Ce mode est idéal pour brunir et rendre croustillant l'extérieur des aliments. Le mode de friture à air chaud peut produire un goût et une texture semblables à la grande friture sans la nécessité de plonger l'aliment dans l'huile.

## Cuisson au four régulière (Bake)

Ce mode est idéal pour cuire les aliments qui manquent généralement de structure avant la cuisson, tels que gâteaux, biscuits, muffins, pâtisseries, tartes, lasagnes et casseroles. Les aliments seront cuits de part en part et uniformément, ce qui en fait aussi le mode idéal pour les mets surgelés en emballage.

## Pain grillé (Toast)

Ce mode est idéal pour griller des tranches de pain, des bagels, des muffins anglais et des gaufres surgelées. Chaque tranche sera grillée également sur les deux côtés sans devoir la retourner.

## Cuisson au gril (Broil)

Ce mode est idéal pour griller les viandes (p.ex. steaks ou poissons), les légumes croustillants (p.ex. pommes de terre) ou pour brunir le dessus des aliments (p.ex. casseroles).

## Rôtissage (Roast)

Ce mode est idéal pour cuire les aliments qui sont généralement solides avant la cuisson, incluant une grande variété de viandes et de légumes. Les aliments seront tendres et humides à l'intérieur tout en développant une texture croustillante à l'extérieur.

## Fermentation (Proof)

Ce mode est idéal pour préparer du pain à la levure et d'autres produits de boulangerie et de pâtisserie dont la pâte nécessite de reposer et de lever avant la cuisson. La chaleur à basse température va faciliter la fermentation.

## Tenue au chaud (Keep Warm)

Ce mode est pratique pour garder au chaud les repas fraîchement cuits en attendant les invités ou la préparation des autres étapes du repas.

## Rôtissage par convection (Convection Roast)

Ce mode est similaire au mode ROAST à la différence qu'il active le ventilateur à convection afin de faire circuler l'air chaud autour des aliments. Cela a pour effet de cuire les aliments plus rapidement que dans le mode ROAST normal, mais la température du four devra parfois être réduite pour certaines recettes.

# Utilisation du four grille-pain

## Sélection du mode de cuisson

Pour choisir le mode de cuisson, tournez le sélecteur Mode jusqu'à ce que le symbole ► pointe vers le mode désiré.

## Modification des réglages du four

Vous pouvez modifier les réglages de chaque mode de cuisson en utilisant le sélecteur Temp/Time. Tournez le sélecteur dans le sens des aiguilles pour augmenter la valeur ou dans le sens contraire pour la diminuer.

Le sélecteur Temp/Time fonctionne aussi comme un bouton. Pressez le sélecteur pour défiler entre les paramètres à régler (Slices/Shade ou Temperature/Time).

Pour le mode TOAST (pain grillé), utilisez ce sélecteur pour choisir le nombre de tranches de pain à griller et la nuance de grillage désirée.

Pour tous les autres modes, utilisez ce sélecteur pour régler la température du four et le temps de cuisson désirés.

## Démarrage du cycle de cuisson

Une fois le mode et les réglages de cuisson sélectionnés, placez l'aliment dans le four et pressez le bouton Start/Stop pour démarrer le cycle de cuisson.

## Préchauffage du four

Pour les modes BAKE, ROAST, BROIL et CONVECTION :

Au démarrage du cycle de cuisson, le mot « Preheating » (préchauffage) commence à clignoter sur l'écran et la minuterie commence le décompte du temps de cuisson. Lorsque le four atteint la température du réglage, il émet un bip audible et le mot « Preheating » disparaît de l'écran.

**REMARQUE** : Il se peut que vous deviez modifier le temps de cuisson pour prendre en compte le temps de préchauffage. Voyez la prochaine section, « Modification des réglages en cours de cuisson ».

Pour les modes AIR FRY, TOAST, WARM et PROOF :

Ces modes de cuisson ne nécessitent pas de préchauffage. La minuterie démarre dès le démarrage du cycle de cuisson.

## Modification des réglages en cours de cuisson

À n'importe quel moment du cycle de cuisson, vous pouvez modifier le réglage de la température, du temps, de la nuance et/ou du nombre de tranches. Poussez le sélecteur Temp/Time puis tournez-le pour régler la température du four. Poussez le sélecteur de nouveau pour basculer entre le réglage de la température ou du temps de cuisson. Une fois vos réglages modifiés, aucune autre action n'est requise. Le mode de modification va s'interrompre et les nouveaux réglages seront confirmés.

**REMARQUE** : Le mode de cuisson ne peut pas être changé lorsque le four est en marche. Pressez le bouton Start/Stop pour mettre fin au cycle de cuisson actuel, puis sélectionnez le mode de cuisson désiré.

## Mettre fin au cycle de cuisson

Lorsque le temps de cuisson sélectionné s'est écoulé, l'alarme du four retentit pour signaler la fin du cycle de cuisson. Le four s'éteint alors automatiquement. On peut aussi mettre fin au cycle de cuisson à tout moment en pressant le bouton Start/Stop.

**REMARQUE** : Pour certains modes de cuisson, le fonctionnement du ventilateur interne se poursuit durant 2 minutes après la fin du cycle de cuisson. Les composants internes du four peuvent ainsi refroidir adéquatement. Le mot COOL (refroidissement) s'affichera sur l'écran jusqu'à l'arrêt automatique du ventilateur.

Même si vous entendez le ventilateur fonctionner pendant ce temps, l'appareil reviendra en mode de veille et les éléments chauffants s'éteindront en attendant le démarrage du prochain cycle.

# Guide de cuisson

## Guide de cuisson

Cuisez les aliments à fond pour vous prémunir contre les maladies d'origine alimentaire. On peut trouver des recommandations de températures minimales sécuritaires pour la cuisson des aliments sur le site [IsItDoneYet.gov](http://IsItDoneYet.gov). Vérifiez toujours la température interne des aliments pour confirmer que la température minimale sécuritaire a été atteinte.

## Positions de grille recommandées selon le mode de cuisson

Mode de cuisson	Grille de four	Plaque de cuisson	Panier de friture à air chaud
Friture à air chaud (Air Fry)	---	---	Milieu
Cuisson au four régulière (Bake)	Milieu ou basse	Milieu ou basse	---
Pain grillé (Toast)	Milieu	---	---
Cuisson au gril (Broil)	Haute	Haute	Haute
Rôtissage (Roast)	Milieu ou basse	Milieu ou basse	---
Tenue au chaud (Keep Warm)	N'importe laquelle	N'importe laquelle	N'importe laquelle
Fermentation (Proof)	N'importe laquelle	N'importe laquelle	N'importe laquelle
Convection	Milieu ou basse	Milieu ou basse	---

## Conseils pour la friture à air chaud (Air Fry)

La friture à air chaud est un mode de cuisson spécial, sans préchauffage, conçu donner aux aliments une surface extérieure plus croustillante que la cuisson au four régulière. Ce mode de cuisson ne requiert pas d'huile mais en vaporiser l'aliment d'une mince couche avant la cuisson peut améliorer leur croustillance et leur brunissement.

En général, on recommande de placer le panier de friture à air chaud dans la position du milieu. Les aliments peuvent cuire plus rapidement que prévu si le four est déjà chaud au moment de les placer. S'ils brunissent ou se dessèchent trop rapidement, baissez la position de la grille ou la température de cuisson.

Pour éviter d'avoir à brasser ou retourner les aliments pendant la cuisson, disposez-les en une seule couche dans le panier. L'encombrement du panier peut prolonger le temps de cuisson et avoir un effet indésirable sur la texture des aliments.

Type d'aliment	Quantité	Température	Time
Bacon coupé épais	6 oz ou 6 tranches	400°F	10-13 minutes
Ailes fraîches	1 lb ou 12 ailes	400°F	25 minutes
Ailes congelées	1½ lb ou 12 ailes	400°F	25-30 minutes
Frites fraîches coupées à la main	2 lb ou 2 à 4 pommes de terre moyennes	400°F	30 minutes
Frites-steak fraîches coupées à la main	1 lb ou 2 à 4 pommes de terre moyennes	400°F	15-20 minutes
Frites congelées	1 lb	400°F	15 minutes
Frites-steak congelées	1 lb	450°F	15 minutes
Bâtonnets de mozzarella	1½ lb ou 22 unités	400°F	10 minutes
Bâtonnets de poisson	12 oz	400°F	8 minutes
Croquettes de poulet	1 lb ou 34 unités	400°F	15-20 minutes
Crevettes congelées	1 lb ou 29 unités	380°F	9 minutes
Légumes	1 lb de haricots verts frais	400°F	10-15 minutes



## Entretien et nettoyage

1. Assurez-vous que le four est éteint, débranché et refroidi avant de commencer le nettoyage.
2. Nettoyez la porte en verre avec une éponge, un linge doux ou un tampon en nylon et de l'eau savonneuse. N'utilisez pas un nettoyeur en aérosol.
3. Retirez la grille et la plaque de cuisson; lavez-les dans l'eau savonneuse. Pour faire disparaître les taches tenaces, utilisez un tampon en polyester ou en nylon.
4. Retirez le ramasse-miettes en utilisant la poignée et jetez les miettes. Essuyez le ramasse-miettes avec un linge humide et séchez-le à fond avant de le replacer dans le four.
5. Essuyez l'extérieur du four avec un linge ou une éponge humides. Séchez-le à fond.
6. Ne tentez pas de nettoyer les éléments chauffants. Tout aliment qui vient en contact avec les éléments chauffants sera de toute façon consommé.

### CONTENANTS DE CUISSON

Seuls les contenants en métal et en verre ou céramique allant au four sans couvercle en verre sont recommandés dans ce four. Suivez les instructions des fabricants pour nettoyer chacun de ces produits.

## Dépannage

Gagnez du temps et économisez de l'argent! Examinez d'abord les tableaux des pages suivantes, vous pourriez vous éviter un appel de service.

Problème	Solution
<b>Le voyant de mise sous tension ou l'écran ne s'allument pas même si l'appareil est branché.</b>	Assurez-vous que le cordon est correctement branché dans la prise électrique. Pressez n'importe quel bouton pour vous assurer que le four n'est pas en mode de veille.
<b>Le four ne devient pas chaud.</b>	Il y a un problème avec l'unité principale. Contactez le soutien au consommateur de GE Appliances.
<b>Le four dégage une odeur de brûlé.</b>	Assurez-vous que le temps de cuisson est correctement réglé et que l'aliment n'est pas trop cuit. Les gras, les huiles et les sauces qui ont dégoutté sur les éléments chauffants inférieurs peuvent produire de la fumée ou une odeur de brûlé pendant le fonctionnement du four. Assurez-vous que la plaque de cuisson, la grille du four et le ramasse-gouttes ont été nettoyés à fond avant chaque utilisation.
<b>Les tubes chauffants s'éteignent pendant la cuisson.</b>	Les tubes chauffants s'allument et s'éteignent pour contrôler la température. Ce n'est donc pas une déféctuosité.
<b>De la fumée s'échappe du four.</b>	Du gras d'aliment qui colle sur les éléments chauffants peut produire de la fumée pendant la cuisson, en particulier dans le mode Broil (cuisson au grill). Abaissez la température du four si nécessaire.
<b>E1, E2 ou E3 s'affiche sur l'écran.</b>	Ces codes d'erreur signalent un problème avec le four grille-pain. Contactez le soutien au consommateur de GE Appliances.

# Garantie limitée de GE Appliances

**GARANTIE LIMITÉE**

## GEAppliances.com

Veillez garder les numéros de série et de modèle à portée de la main au moment d'effectuer un appel de service. Composez le 1.800.GE.CARES pour des questions relatives au service.

Durant la période de:	GE Appliances appliquera la garantie suivante
<b>Un (1) an</b> À partir de la date d'achat initial	Si le grille-pain présente une défaillance en raison de vices de matière ou de fabrication pendant la garantie limitée de un (1) an, GE Appliances procédera, réparer votre produit à sa seule discrétion remplacement de votre produit par un neuf, à sa remise à neuf, ou encore au remboursement de son prix d'achat.

### Ce que GE Appliances ne garantie pas :

- La défaillance du produit en raison d'un usage abusif, d'une mauvaise utilisation, ou s'il est utilisé à des fins commerciales ou autres que celles prévues.
- Le remplacement des fusibles du domicile ou le réarmement des disjoncteurs.
- Les dommages survenus après la livraison.
- Tout dommage occasionné par un accident, un incendie, une inondation ou une autre catastrophe naturelle.
  - Les dommages accessoires ou indirects causés par d'éventuelles déficiences de cet électroménager.

### EXCLUSION DES GARANTIES IMPLICITES

Votre seul recours exclusif consiste en l'échange du produit ou son remboursement en vertu de cette garantie limitée. Toute garantie implicite, y compris les garanties implicites relatives à la qualité marchande ou à l'adéquation à un usage particulier, se limitera à une période de un (1) an ou à la période la plus courte prescrite par la loi.

**Pour la vente dans les 50 États et le district de Columbia des États-Unis seulement :** Clients des États-Unis : Cette garantie limitée est étendue à l'acheteur d'origine pour les produits achetés relativement à une utilisation domestique à l'intérieur des États-Unis.

Certains États ou provinces ne permettent pas l'exclusion ou la restriction des dommages accessoires ou indirects. Certains droits particuliers vous sont dévolus en vertu de la présente garantie et peuvent s'accompagner d'autres droits qui varient selon votre lieu de résidence. Pour connaître la nature exacte de vos droits, consultez l'organisme de protection du consommateur de votre région, ou encore le bureau du procureur général de l'État.

**Garant : GE Appliances, une compagnie Haier  
Louisville, KY 40225**

**Pour les clients au Canada:** Cette garantie limitée est étendue à l'acheteur original et à tout propriétaire suivant pour les produits achetés au Canada pour un usage domestique au Canada. Le service de mandat à domicile sera fourni dans les zones où il est disponible et jugé raisonnable par Mabe.

**Garant Canada: MC Commercial, Burlington, Ontario, L7R 5B6**

Brochez votre reçu ici. Pour obtenir le service sous garantie, vous devrez fournir la preuve de l'achat original.

## Soutien au consommateur

---

### Service et enregistrement

Enregistrez votre nouvel électroménager en ligne à votre convenance! L'enregistrement de votre produit dans les plus brefs délais permet une meilleure communication et un service rapide en vertu de votre garantie, le cas échéant.

Enregistrez votre électroménager sur [GEAppliances.com/register](http://GEAppliances.com/register).

---

### Communiquez avec nous

Si vous n'êtes pas satisfait du service reçu de GE Appliances, contactez-nous via notre site Web avec tous les détails, y compris votre numéro de téléphone, ou encore écrivez à :

Aux États-Unis : General Manager, Customer Relations | GE Appliances, Appliance Park | Louisville, KY 40225  
[GEAppliances.com/contact](http://GEAppliances.com/contact)

Au Canada : Directeur, Relations avec le consommateur, Mabe Canada Inc. | Suite 310, 1 Factory Lane | Moncton, N.B. E1C 9M3 [GEAppliances.ca/en/contact-us](http://GEAppliances.ca/en/contact-us)