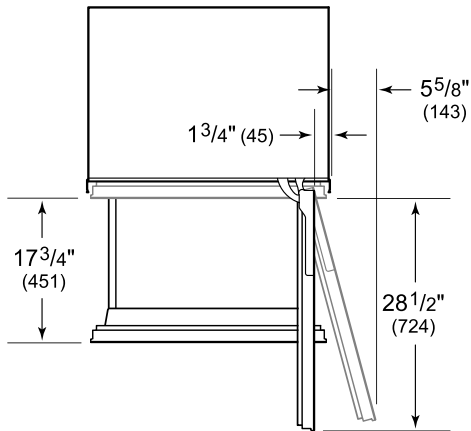
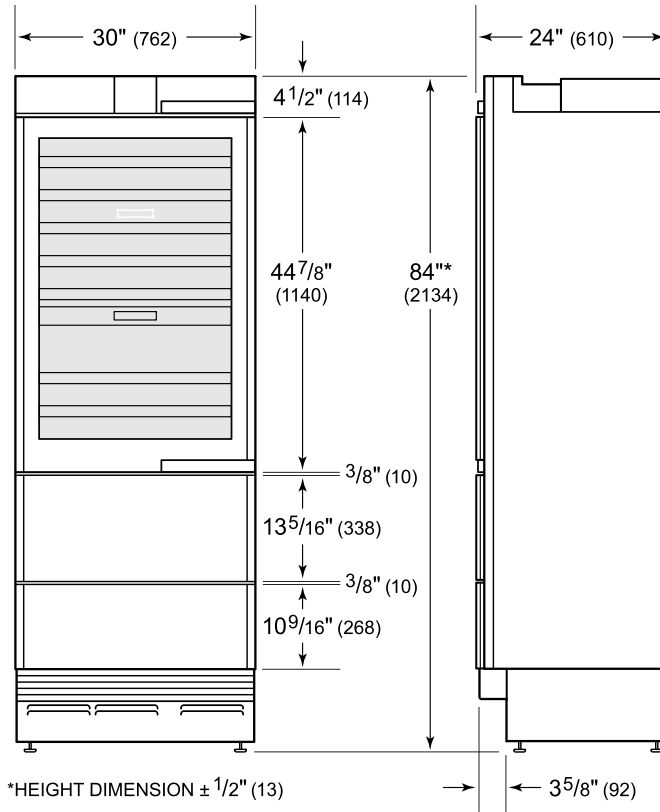
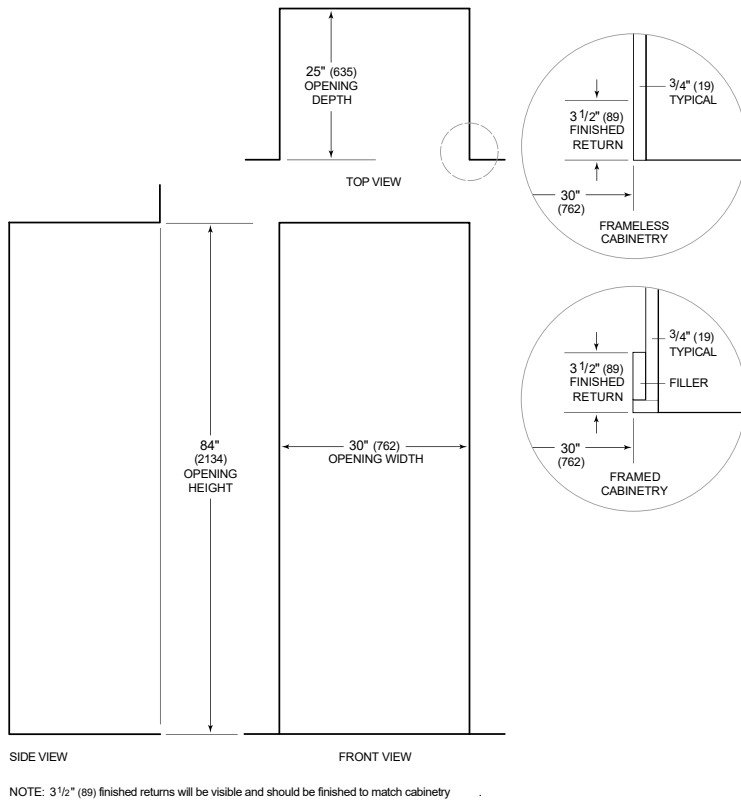


Dimensions



Standard Installation

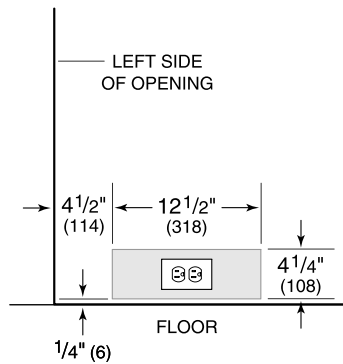


Electrical Requirements

Electrical Requirements

Electrical Supply 115 VAC, 60 Hz
 Electrical Service 15 amp dedicated circuit

Electrical Location Illustration



Interior View

