

# NZ36R5330R

SAMSUNG

## 36" Electric Cooktop



### Signature Features

#### Flexible Cooktop

- Whether you're boiling water, melting chocolate or simmering sauce, there's an element for your needs.

#### Front Controls

- Front Controls are easy to reach.

#### Indicator Light

- Hot Surface Indicator light lets you know the surface is hot.

### Available Color



Black



Front Controls



Indicator Light

### Features

- Flexible Cooktop
  - Right Front: 9", 2.5 kW
  - Right Rear: 6", 1.2 kW (Melt)
  - Left Front: 7", 1.5 kW
  - Left Rear: 7", 1.5 kW
  - Center: 9"/12", 3 kW (Simmer)
- 9.7 kW Total Power
- ADA Compliant

### Convenience

- Hot Surface Indicator Light
- Easy-To-Clean Glass, Ceramic Cooktop
- Dishwasher-Safe Knobs



ADA Compliant

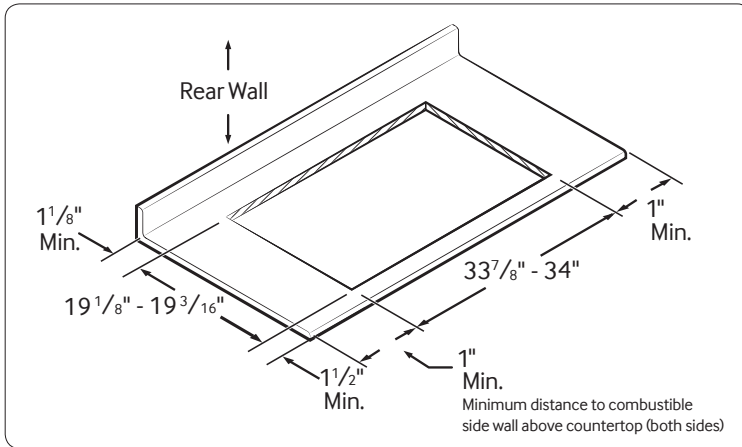
# NZ36R5330R

# SAMSUNG

## 36" Electric Cooktop

### Installation Requirements

Countertop cut-out and minimum clearance dimensions:



### Total Power

9.7 kW

### Power Source

240V / 60 Hz / 40A

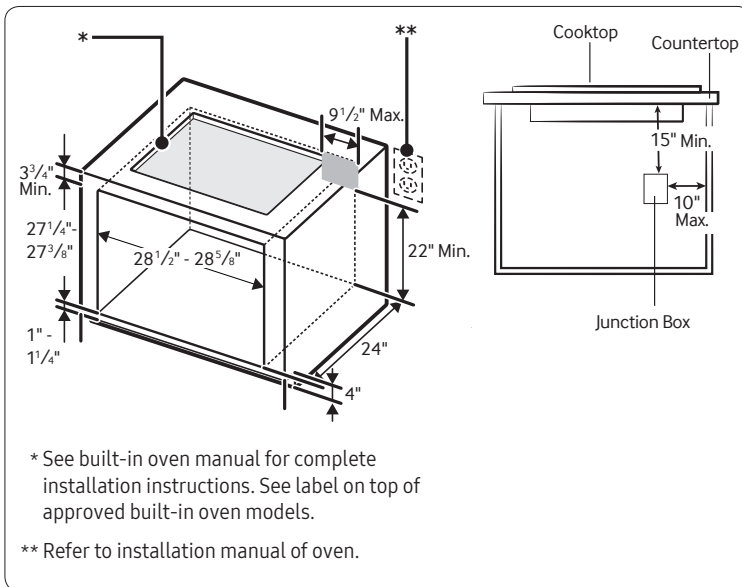
### Electric Cooktop

- Left Front: 7", 1.5 kW
- Left Rear: 7", 1.5 kW
- Right Front: 9", 2.5 kW
- Right Rear: 6", 1.2 kW (Melt)
- Center: 9"/12", 3 kW (Simmer)

### Warranty

One (1) Year All Parts and Labor  
Five (5) Years Parts Warranty for Glass Cooktop and Radiant Heater

### Installing Over a Single Oven



### Product Dimensions & Weight (WxHxD)

Outside (Max) Cooktop Dimensions: 36" x 5 1/8" x 21 1/4"

Cooktop Cut-Out Dimensions: 33 7/8" x 5 1/8" x 19 1/8"

Weight: 43.4 lbs

### Shipping Dimensions & Weight (WxHxD)

Dimensions: 40 3/16" x 9 1/16" x 25 1/16"

Weight: 50.7 lbs

### Color

Black

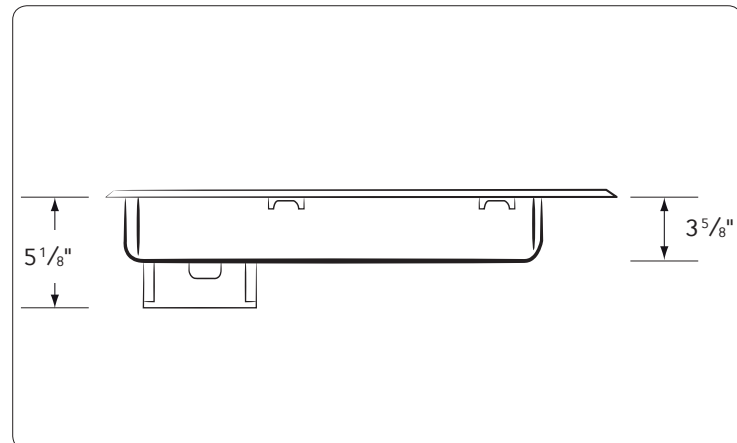
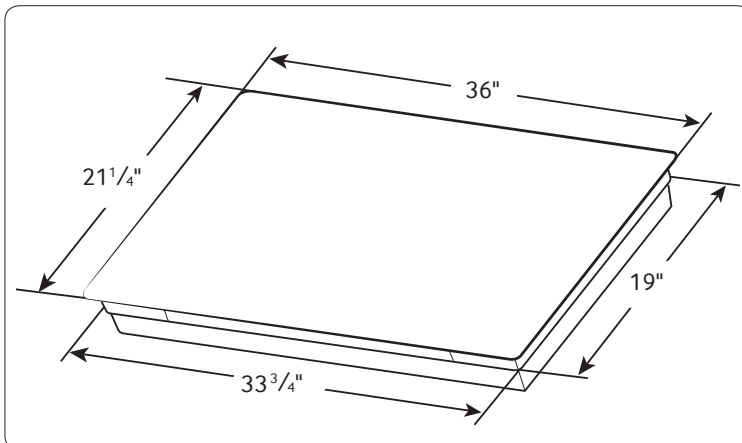
### Model #

NZ36R5330RK/AA

### UPC Code

887276299020

### Cooktop Dimensions



Actual color may vary. Design, specifications, and color availability are subject to change without notice. Non-metric weights and measurements are approximate.

©2019 Samsung Electronics America, Inc. 85 Challenger Road, Ridgefield Park, NJ 07660. Tel: 800-SAMSUNG. samsung.com. Samsung is a registered trademark of Samsung Electronics Co. Ltd.