



ASSEMBLY INSTRUCTIONS COASTER FINE FURNITURE



Fine Furniture for every stage of life

903043
ACCENT CHAIR

ITEM : 903043



ASSEMBLY INSTRUCTIONS

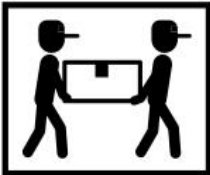
ASSEMBLY TIPS:

- 1.Remove hardware from box and sort by size.
- 2.Please check to see that all hardware and parts are present prior to start of assembly.
- 3.Please follow attached instruction in the same sequence as numbered to assure fast & easy assembly.



WARNING!

- 1.Don't attempt to repair or modify parts that are broken or defective. Please contact the store immediately.
- 2.This product is for home use only and not intended for commercial establishment.



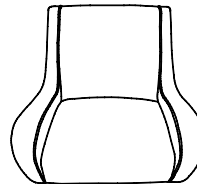
ASSEMBLY TIME

10 MINUTES

PARTS IDENTIFICATION

A

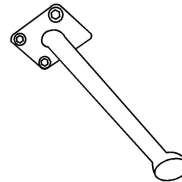
CHAIR



1PC

B

LEG



4PCS

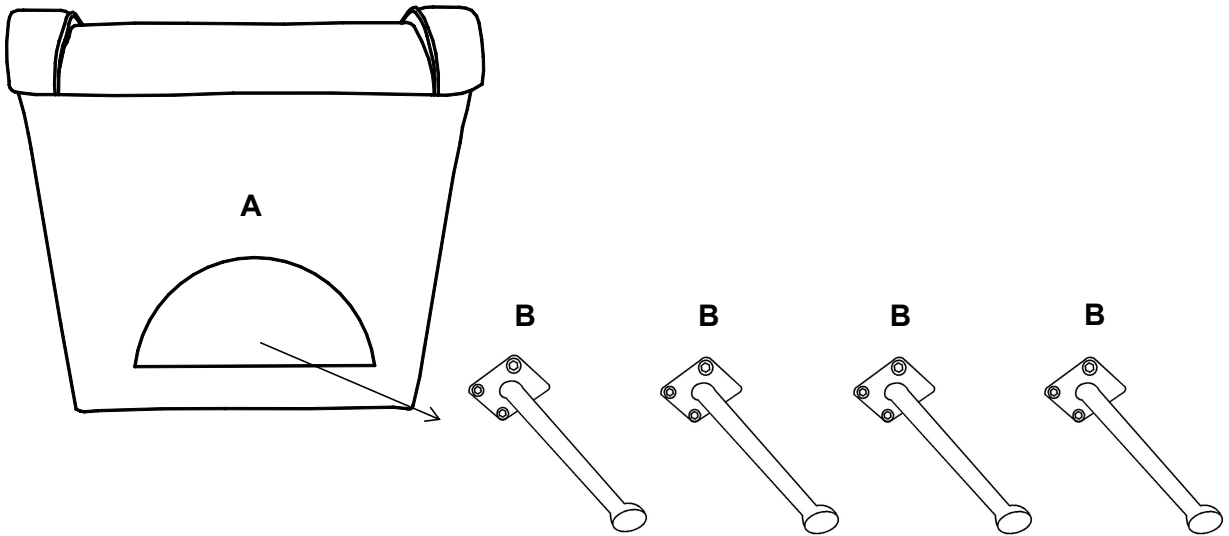
HARDWARE IDENTIFICATION

| | HARDWARE NAME | FIGURE | Q'TY |
|---|------------------------|--------|--------|
| 1 | Allen wrench 5*23*73mm | | 1 PC |
| 2 | Bolt 30*10*10mm | | 12 PCS |

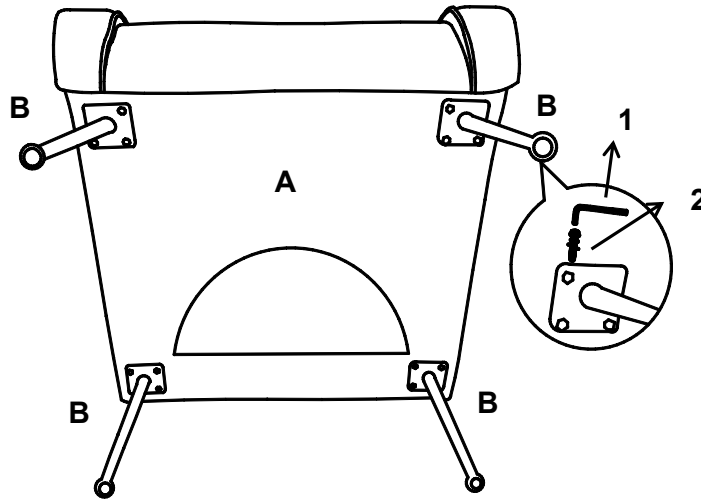
ITEM : 903043

ASSEMBLY INSTRUCTIONS

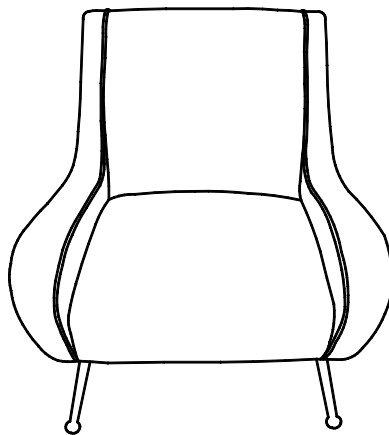
STEP 1



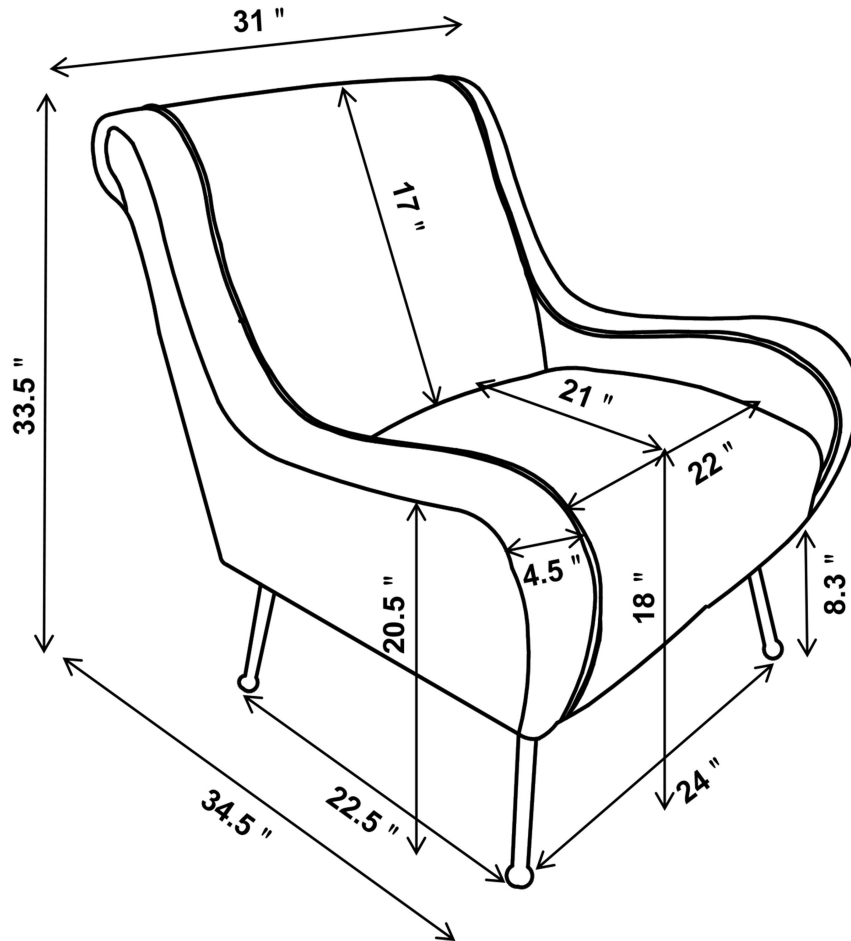
STEP 2



STEP 3



ITEM : 903043



NOTE: Dimension tolerance $\pm 5\%$

