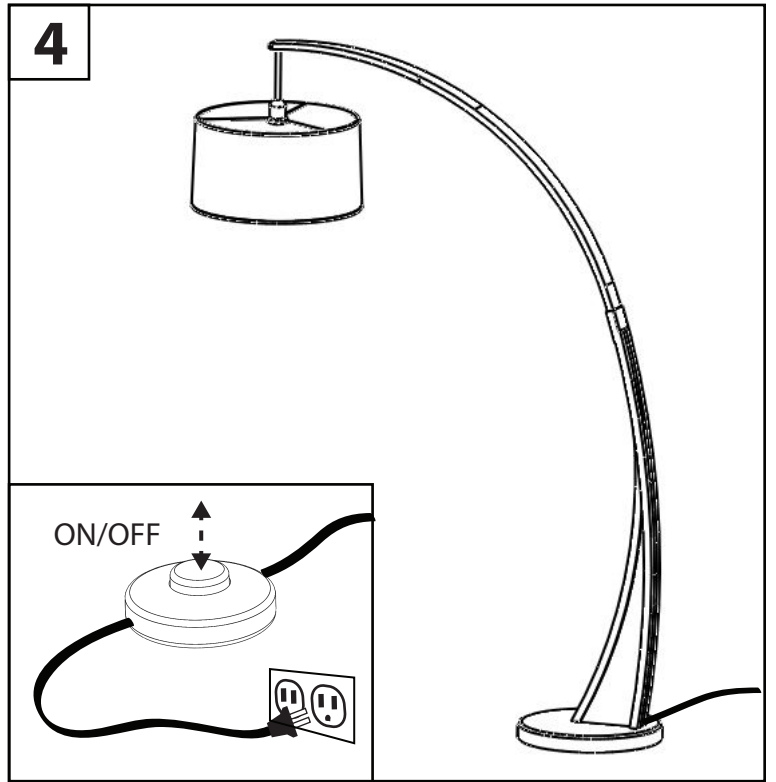
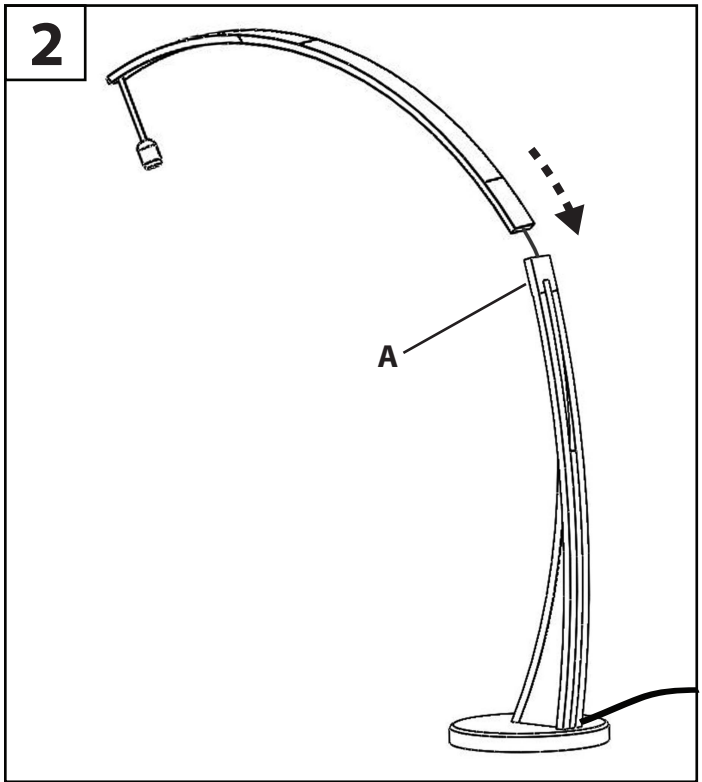
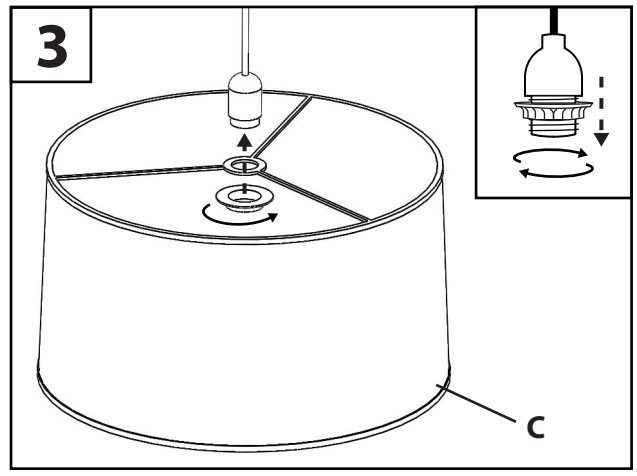
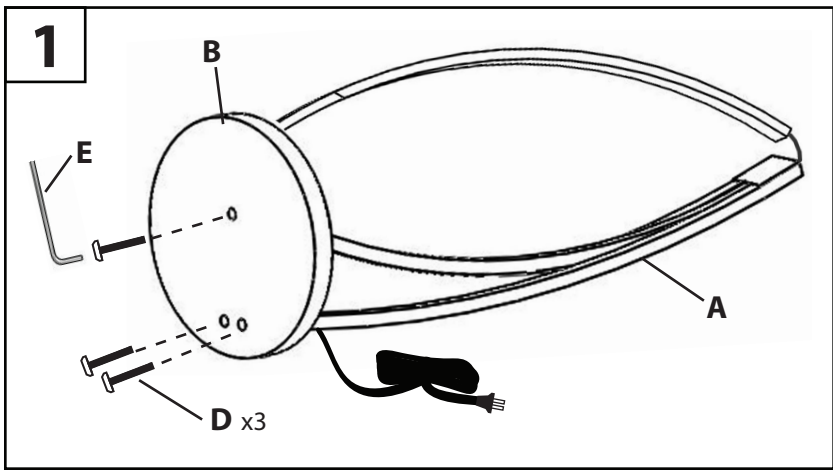
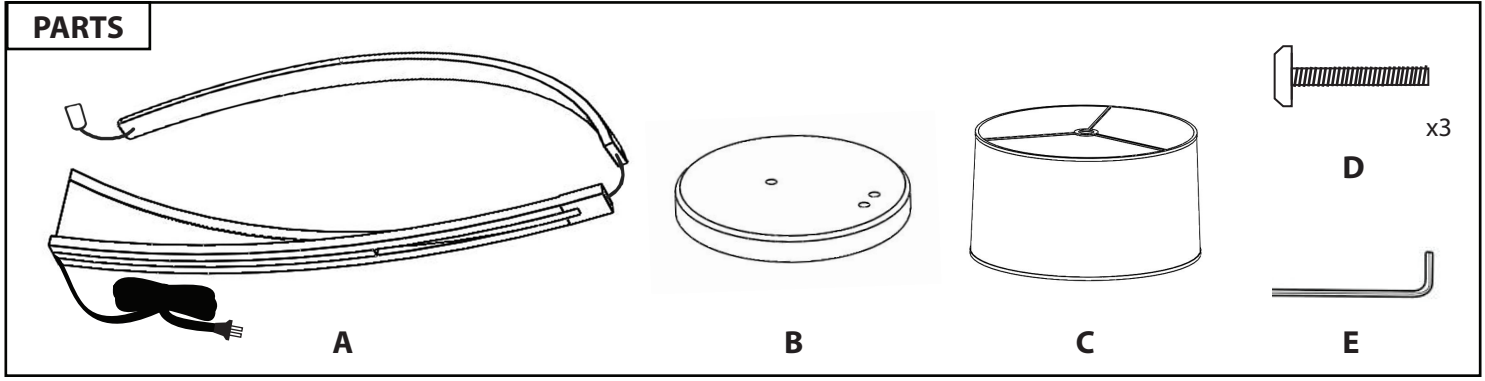


Noah Floor Lamp

Part # LS-NOAHFL XX

16-1116

PARTS



Do not over tighten.
 Do not use power tools to assemble.