



Induction Cooktop

30" Induction Cooktop

ECCI3068AS

Available Colors : Stainless Steel

Version : 01/21

Cooktop

| | |
|----------------------|--------|
| Auto Pan Detect | Yes |
| Cooking Surface Type | Smooth |

Cooktop Performance

| | |
|---------------------------------|-------------|
| Right Front Element Burner Size | 8" |
| Left Front Element Burner Size | 7" |
| Left Rear Element Burner Size | 7" |
| Center Rear Element Burner Size | 8" |
| Right Front Element Burner | 3,600 Watts |
| Left Front Element Burner | 2,600 Watts |
| Left Rear Element Burner | 2,600 Watts |
| Center Rear Element Burner | 3,600 Watts |

Display

| | |
|-------------------------|------------------|
| Control Location | Front |
| Display Interface Color | White |
| Display Type | Capacitive Touch |

Dimensions and Volume

| | |
|----------------------|---------|
| Height | 2 7/8" |
| Width | 30 5/8" |
| Depth | 21 3/8" |
| Maximum Cutout Width | 29 7/8" |
| Minimum Cutout Width | 28 1/2" |

Electrical Specifications

| | |
|--------------------------|---------|
| Minimum Circuit Required | 30 Amps |
| Voltage Rating | 240 V |

Installation

| | |
|------------------------|-----|
| Frigidaire Fit Promise | Yes |
| Power Cord Included | Yes |

General Specifications

| | |
|----------------|-----------|
| Product Weight | 50.35 lbs |
|----------------|-----------|

| | |
|------------------|--------|
| Prop 65 Label | Yes |
| Warranty - Labor | 1 Year |
| Warranty - Parts | 1 Year |

Certifications & Approvals

| | |
|---------------|-----|
| ADA Compliant | Yes |
|---------------|-----|

Safety Certifications & Approvals

| | |
|------------|-----|
| UL Listed | Yes |
| cUL Listed | Yes |

High standards of quality at Electrolux Home Products, Inc. mean we are constantly working to improve our products. We reserve the right to change specifications or discontinue models without notice.

Electrolux Major Appliances, N.A.

USA • 10200 David Taylor Drive • Charlotte, NC 28262 • Charlotte, NC 28262 • 1-877-4electrolux (1-877-435-3287) • electroluxappliances.com

CANADA • 5855 Terry Fox Way • Mississauga, ON L5V 3E4 • 1-800-265-8352 • electroluxappliances.ca

Electrolux

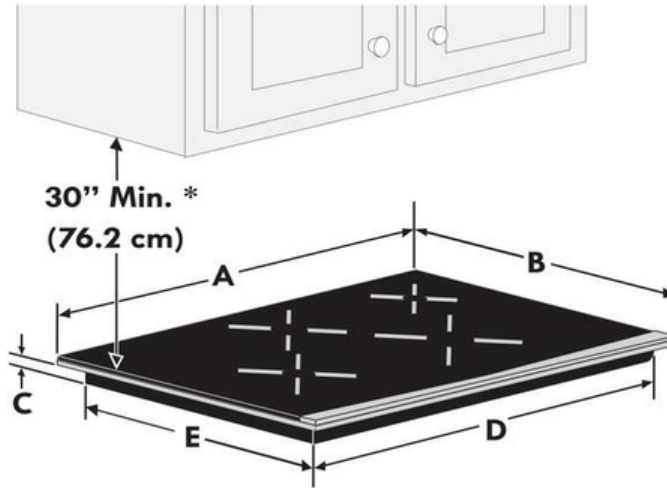
30" Induction Cooktop

ECCI3068AS

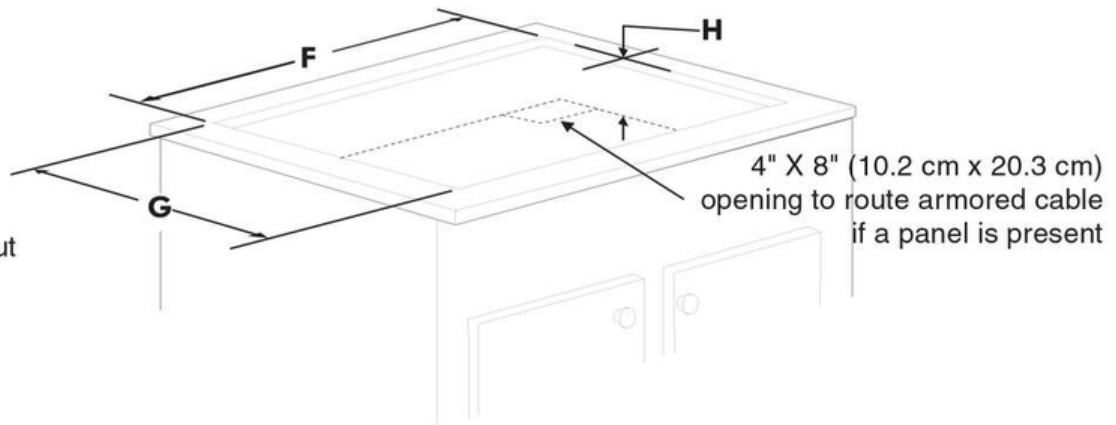
Version : 01/21

* 30" (76.2 cm) min. for unprotected cabinet and 24" (61 cm) min. for cabinet with protected bottom surface.

Cooktop Dimensions



Cooktop Cutout Dimensions



| COOKTOP DIMENSIONS | | | | | CUTOUT DIMENSIONS | | | | |
|---------------------------------------|---------------------------------------|-------------------------------------|---------------------------------------|---------------------------------------|---------------------------------------|---------------------------------------|---------------------------------------|---------------------------------------|-------------------------------------|
| A. WIDTH | B. DEPTH | C. HEIGHT | D. WIDTH | E. DEPTH | F. WIDTH | | G. DEPTH | | H. HEIGHT |
| | | | | | Min. | Max. | Min. | Max. | |
| 30 ⁵ / ₈ (77.8) | 21 ³ / ₈ (54.4) | 2 ⁷ / ₈ (7.3) | 28 ¹ / ₄ (71.8) | 19 ³ / ₈ (49.2) | 28 ¹ / ₂ (72.4) | 29 ⁷ / ₈ (75.9) | 19 ⁵ / ₈ (49.9) | 20 ¹ / ₂ (52.1) | 3 ⁵ / ₈ (9.2) |
| 36 ³ / ₄ (93.4) | 21 ³ / ₈ (54.4) | 2 ⁷ / ₈ (7.3) | 33 ⁵ / ₈ (85.4) | 18 ⁷ / ₈ (47.9) | 33 ⁷ / ₈ (86.0) | 36 ¹ / ₈ (91.8) | 19 ¹ / ₈ (48.6) | 20 ¹ / ₂ (52.1) | 3 ⁵ / ₈ (9.2) |

High standards of quality at Electrolux Home Products, Inc. mean we are constantly working to improve our products. We reserve the right to change specifications or discontinue models without notice.

Electrolux Major Appliances, N.A.

USA • 10200 David Taylor Drive • Charlotte, NC 28262 • Charlotte, NC 28262 • 1-877-4electrolux (1-877-435-3287) • electroluxappliances.com

CANADA • 5855 Terry Fox Way • Mississauga, ON L5V 3E4 • 1-800-265-8352 • electroluxappliances.ca