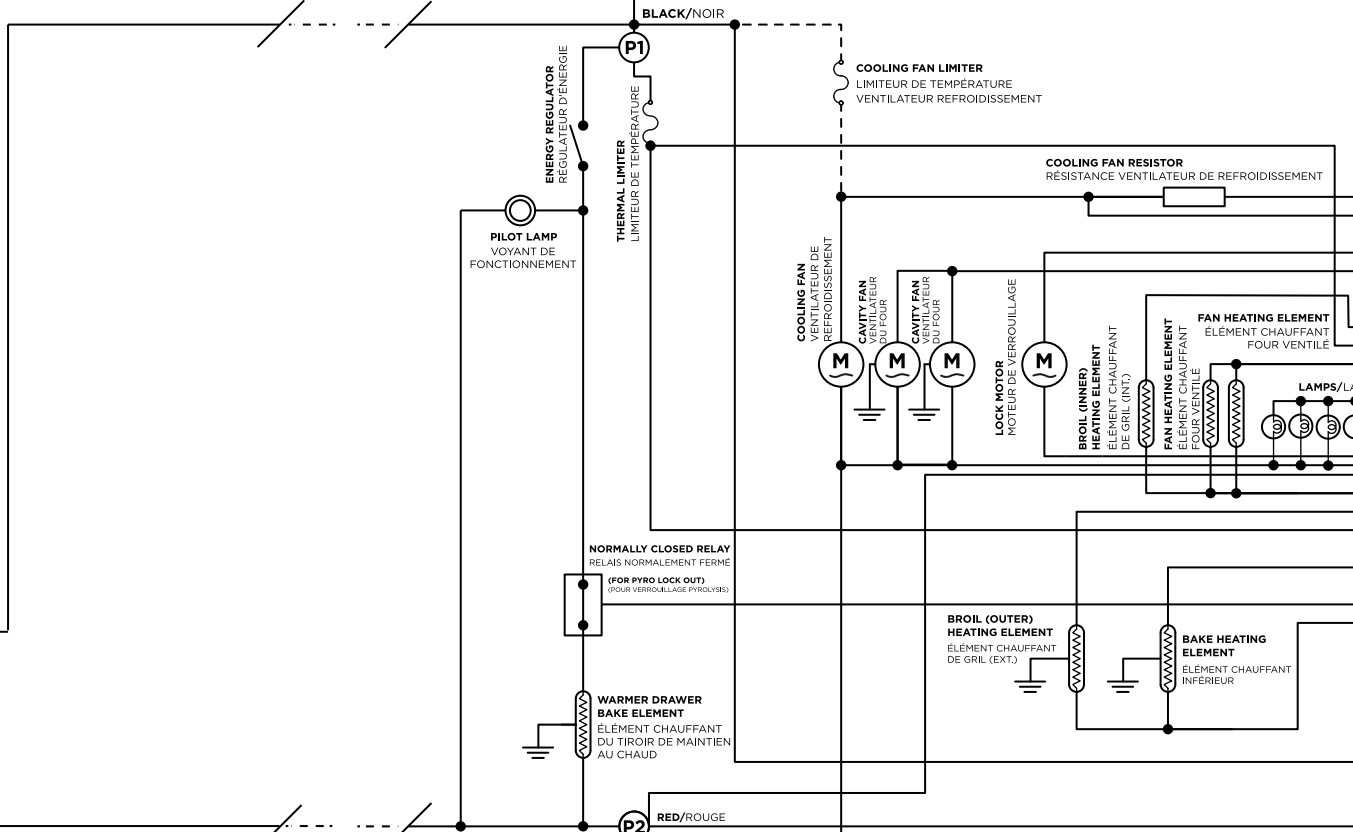
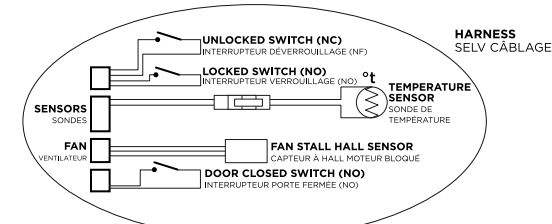


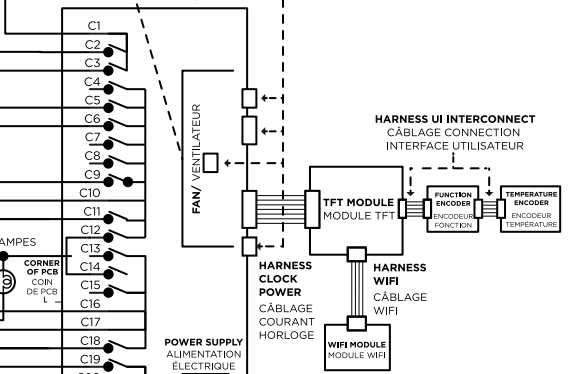
SECTION 'A' SECTION 'A'



SECTION 'B' SECTION 'B'



SELV (LOW VOLTAGE CIRCUITS)
SELV (CIRCUITS BASSE TENSION)



- C1: L - L1 Phase A
- C2: Cooling Fan Low (ventilateur de refroidissement lente)
- C3: Cooling Fan High (ventilateur de refroidissement rapide)
- C4: Rotisserie (tournebroche)
- C5: Lock (verrouillage)
- C6: Cavity Fan (ventilateur du four)
- C7: Lower vent - Inlet (entrée)
- C8: Upper vent - Outlet (évent)
- C9: Inner grill (broil, inner)
- C10: L2 - L2 Phase B
- C11: Fan Element (Élément chaufant four ventilé)
- C12: Lights (R) (Lampes)
- C13: Lights (R) (Lampes)
- C14: Lights (L) (Lampes)
- C15: Lights (L) (Lampes)
- C16: L4 out - Neutral B out (Neutre B sortie)
- C17: L4 - Neutral B in (Neutre B entrée)
- C18: L4 Switch - Neutral B switch (Neutre B commutateur)
- C19: Outer grill (broil, outer)
- C20: L1 - L1 Phase A
- C21: L1 - L1 Phase A
- C22: Bake (Élément chaufant inférieur)
- C23: L1 - Phase A
- C24: Steam (Vapeur)
- C25: L3 Switch - Neutral A switch (Neutre commutateur)
- C26: L3 - Neutral A in (Neutre A entrée)
- C27: Earth (Terre)
- C28: L - L1 Phase A

— HIGH VOLTAGE
HAUTE TENSION

— LOW VOLTAGE
BASSE TENSION

PRINT SPECIFICATION

Finished size: w 340mm x h 148 mm
with Single slit on rear liner

Colour: Black

1 sided

Material: Fasson MZ0102 Gloss White Cast Coat

Permanent adhesive

REVISIONS

DRWN	DATE	CHKD	ECN	REV
RR	27.06.19	ST		A

FISHER & PAYKEL

FISHER & PAYKEL APPLIANCES LIMITED

TITLE: 591741A LABEL OR36 INDUCTION WIRING

DRAWN: R ROOS

DATE: 27.06.2019

PART NO: 591741

SCALE: 1:1

REVISION: A