



ASSEMBLY INSTRUCTIONS
COASTER FINE FURNITURE



Fine Furniture for every stage of life

881150
OFFICE CHAIR

REVISION 0 : 11/25/2019

REVISION 1 : 7/21/2022

PAGE 1 OF 4

COASTERFURNITURE.COM

ITEM: **881150**



ASSEMBLY INSTRUCTIONS

ASSEMBLY TIPS:

1. Remove hardware from box and sort by size.
2. Please check to see that all hardware and parts are present prior to start of assembly.
3. Please follow attached instructions in the same sequence as numbered to assure fast & easy assembly.



WARNING!


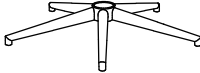

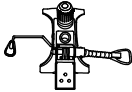
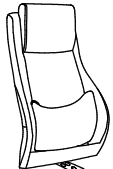

1. Don't attempt to repair or modify parts that are broken or defective. Please contact the store immediately.
2. This product is for home use only and not intended for commercial establishments.



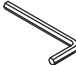

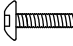
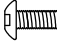



ASSEMBLY TIME

10 MINUTES

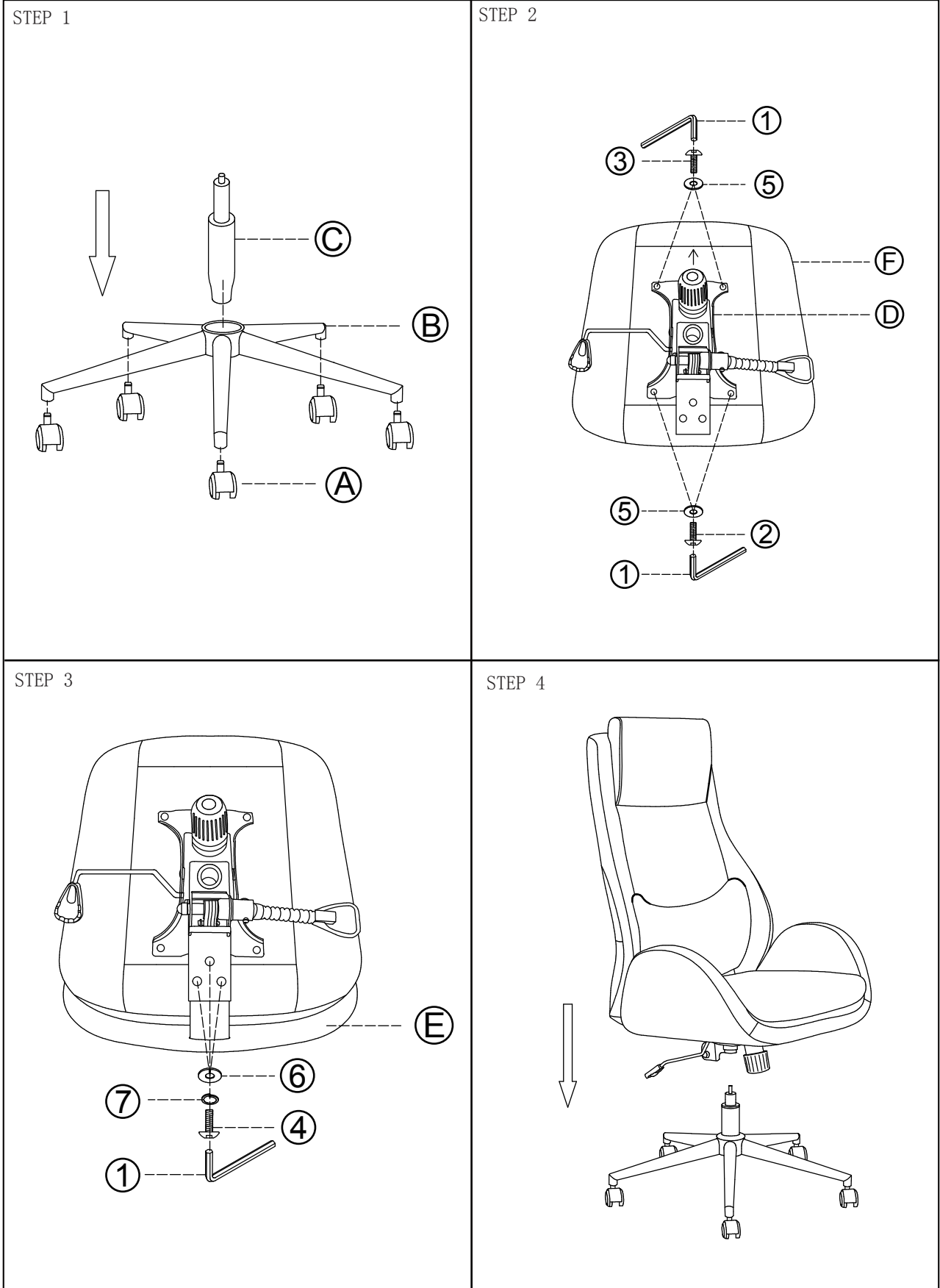
PARTS IDENTIFICATION

A	CASTER		5PCS
B	BASE		1PC
C	GAS CYLINDER		1PC
D	ADJUSTING PLATE		1PC
E	SEAT		1PC
F	BACK		1PC

Z HARDWARE IDENTIFICATION

1	ALLEN WRENCH (M6)		1PC
2	BOLT (M6 x 20mm)		2PCS
3	BOLT (M6 x 30mm)		2PCS
4	BOLT (M8 x 20mm)		3PCS
5	WASHER (φ 6 x φ 18mm)		4PCS
6	WASHER (φ 8 x φ 18mm)		3PCS
7	SNAP WASHRE (M8)		3PCS

ASSEMBLY INSTRUCTIONS



ITEM: 881150

ASSEMBLY INSTRUCTIONS

