

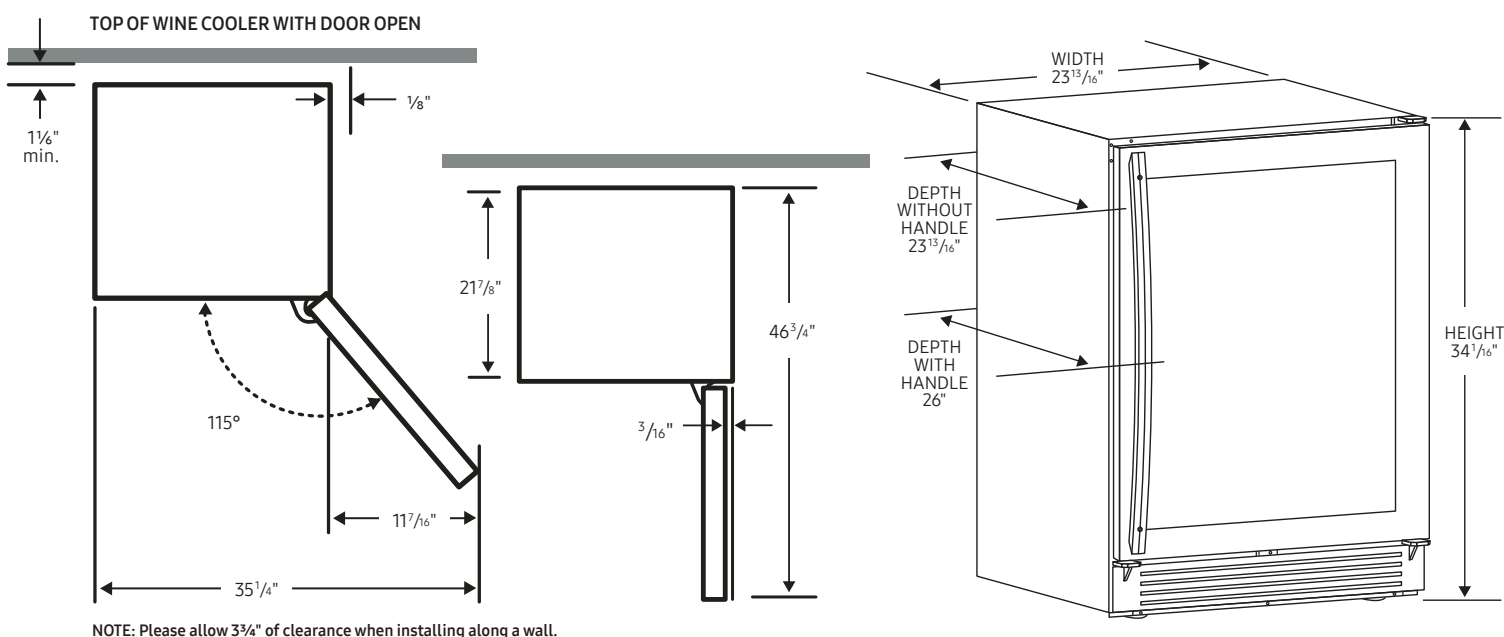
# 51-Bottle Capacity Wine Cooler

# SAMSUNG

## MODEL RW51TS338SR DIMENSIONS

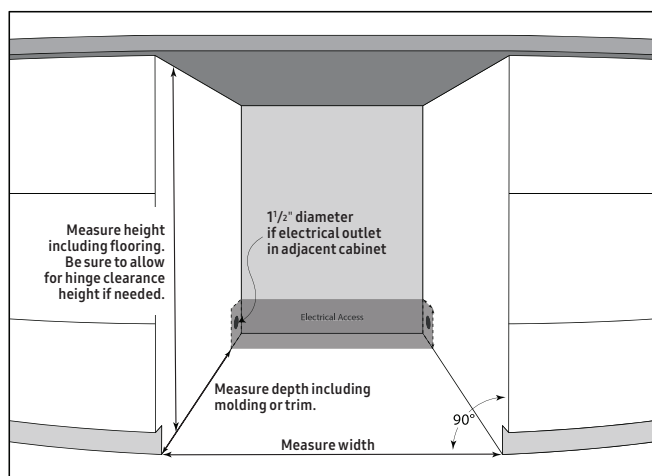
### Be sure your new Wine Cooler will fit

Don't wait until delivery to be sure your new wine cooler will fit – both in your kitchen and through all doorways. This guide includes all pertinent measurements and clearances so you can buy with confidence.



### Counter-Depth Wine Cooler

Counter-depth models sit flush with your kitchen cabinets for a premium, built-in look. They are perfect for galley and island kitchens where space is limited.



### Installation clearances

- ✓ Allow 3 3/4" of clearance when installing along a wall. This will allow for the door to open 90 degrees without the handle contacting the wall.
- ✓ Allow 1 1/16" minimum clearance at rear for proper air circulation and electrical connections.
- ✓ Allow 1/8" minimum clearance at each side and top for ease of installation.

**For optimal usage and ability to open your wine cooler completely, do not install next to a wall.**

*Please note: The above dimension and cutout information is for planning purposes only. The measurements in the above diagrams may differ, depending on the measuring method. For complete installation details, consult manual packed with product or download manual online at [samsung.com](http://samsung.com).*

### Walk the delivery route

- ✓ Identify the narrowest opening that the wine cooler will travel, from outside the home to the location where it will be installed.
- ✓ Wine cooler depth or width must be smaller than the width of the narrowest opening.