



**OWNER'S MANUAL**

**L900  
HEIGHT MODULES**





## Contents

<b>Expect Great Sound — The Legend Legacy</b> .....	2
<b>Safety Instructions</b> .....	3
<b>What's in the Box</b> .....	4
<b>How to Connect Your System</b> .....	4
<b>Optimize Your L900 Height Modules Theater Experience</b> .....	5
<b>Specifications</b> .....	6
<b>Warranty</b> .....	7

## Expect Great Sound — The Legend Legacy

Thank you for choosing the Polk Legend Series L900 height modules for your loudspeakers. With sound that virtually transports the listener to the scene of the recorded performance, the Legend Series offers great Polk sound housed in bold, American design. Amplify your home theater entertainment with three-dimensional sound supported by Dolby Atmos and DTS:X. The L900 easily connects and integrates into your Legend L800 or L600 loudspeakers to fire sound upwards, which is then reflected off the ceiling and back down to your listening area. Enjoy clear, detailed three-dimensional sound, without having to install additional speakers in your ceiling. With their American modern styling, the Polk Legend Series L900 height modules are engineered and designed with your entertainment in mind.

Having built a reputation as the makers of great sound for more than 40 years, Polk Audio takes pride in superior sound and build quality, which features many patented and award-winning audio innovations. For Polk, building audio products isn't just a job — it's a passion to deliver great sound that's accessible for everyone!

## Technical Assistance or Service

If anything is missing or damaged, or if your speaker fails to operate, notify Polk Audio Customer Service immediately at +1 800-377-7655. If you experience difficulty after following the directions to connect your speakers outlined in this manual, please double-check all wire connections. Should you isolate the problem to the speaker, contact the authorized Polk Audio dealer where you made your purchase, or contact Polk Audio Customer Service at +1 800-377-7655 or via email [polkcs@polkaudio.com](mailto:polkcs@polkaudio.com). Outside the US & Canada, call +1 410-358-3600.

## WARNING: Listen Carefully

Polk Audio loudspeakers and subwoofers are capable of playing at extremely high volume levels, which could cause serious or permanent hearing damage. Polk Audio, Inc. accepts no liability for hearing loss, bodily injury or property damage resulting from the misuse of its products. Keep these guidelines in mind and always use your own good judgment when controlling volume:

- Limit prolonged exposure to volume levels that exceed 85 decibels (dB). For more about safe volume levels, take a look at the Occupational Health and Safety Administration (OSHA) guidelines at <http://www.osha.gov/>.

## Product Disposal

Certain international, national and/or local laws and/or regulations may apply regarding the disposal of this product. For more information, please contact the retailer where you purchased this product or the Polk Importer/Distributor in your country. More information is also available at [www.polkaudio.com](http://www.polkaudio.com) or by contacting Polk Audio at 1 Viper Way, Vista, California, 92081, USA. Phone: 1-800-377-7655.


This symbol on our electrical products or their packaging indicates that it is prohibited in Europe to discard this product(s) as domestic waste. In order to ensure that you dispose of the product(s) correctly, please dispose of the product(s) according to local laws and regulations on the disposal of electrical and electronic equipment. In doing so you are contributing to the retention of natural resources and to the promotion of environmental protection by the treatment and disposal of electronic waste.







**CAUTION**

TO REDUCE THE RISK OF ELECTRIC SHOCK, DO NOT REMOVE COVER (OR BACK). NO USER-SERVICEABLE PARTS INSIDE. REFER SERVICING TO QUALIFIED SERVICE PERSONNEL.

 The lightning flash with arrowhead symbol, within an equilateral triangle, is intended to alert the user to the presence of uninsulated “dangerous voltage” within the product’s enclosure that may be of sufficient magnitude to constitute a risk of electric shock to persons.

 The exclamation point within an equilateral triangle is intended to alert the user to the presence of important operating and maintenance (servicing) instructions in the literature accompanying the appliance.

**IMPORTANT SAFETY INSTRUCTIONS**

1. Read these instructions.
2. Keep these instructions.
3. Heed all warnings.
4. Follow all instructions.
5. Do not use this apparatus near water.
6. Clean only with dry cloth.
7. Do not block any ventilation openings.  
Install in accordance with the manufacturer’s instructions.
8. Do not install near any heat sources such as radiators, heat registers, stoves, or other apparatus (including amplifiers) that produce heat.
9. Only use attachments/accessories specified by the manufacturer.
10. Use only with the cart, stand, tripod, bracket, or table specified by the manufacturer, or sold with the apparatus. When a cart is used, use caution when moving the cart/apparatus combination to avoid injury from tip-over. 
11. Refer all servicing to qualified service personnel. Servicing is required when the apparatus has been damaged in any way, such as power supply cord or plug is damaged, liquid has been spilled or objects have fallen into the apparatus, the apparatus has been exposed to rain or moisture, does not operate normally, or has been dropped.

**NOTES ON USE**

**WARNINGS**

- Avoid high temperatures. Allow for sufficient heat dispersion when installed in a rack.
- Keep the unit free from moisture, water, and dust.
- Do not obstruct the ventilation holes.
- Do not let foreign objects into the unit.
- Do not let insecticides, benzene, and thinner come in contact with the unit.
- Never disassemble or modify the unit in any way.
- Ventilation should not be impeded by covering the ventilation openings with items, such as newspapers, tablecloths or curtains.
- Naked flame sources such as lighted candles should not be placed on the unit.
- Do not expose the unit to dripping or splashing fluids.
- Do not place objects filled with liquids, such as vases, on the unit.

**A NOTE ABOUT RECYCLING:**

This product’s packaging materials are recyclable and can be reused. Please dispose of any materials in accordance with the local recycling regulations. When discarding the unit, comply with local rules or regulations.



**EU Declaration of Conformity**

Hereby, [Sound United, LLC] declares that our product is in compliance with following EU/EC Directives. The full text of the EU declaration of conformity is available at the following internet address:

<EU/EC Directives>

RoHS: 2011/65/EU, and amendment directive (EU) 2015/863  
 “EU declaration of conformity URL:  
<https://www.polkaudio.com/declarations-of-conformity>”

Sound United, LLC  
 1 Viper Way Vista, CA 92081 USA

EU contact : Sound United Europe, A division of D&M Europe  
 B.V. Beemdstraat 11, 5653 MA Eindhoven, The Netherlands



## What's in the Box

Each box contains:

1. (2) L900 height modules with mounting hardware (*attached*)
2. Owner's Manual
3. Registration Card
4. Allen wrench

## How to Connect Your System

To get the best sound quality, it's important to wire your speakers correctly.

### Wire Preparation

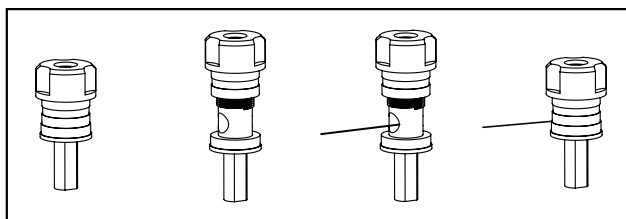
Follow the hookup directions included with your receiver/amplifier. Strip 0.5" (12.7mm) of insulation from each of the two conductors of the wire to expose the bare metal and twist each of the individual conductors into single un-frayed strands. Note that one of the terminals on the rear of each speaker is marked red (+) and the other is black (-). Make certain that you connect the wire from the positive (+) terminal of your amplifier or receiver to the red (+) terminal on your speaker and the wire from the negative (-) terminal of your amplifier or receiver to the black (-) terminal on your speaker. Most wire has some indicator (such as color-coding, ribbing or writing) on one of the two conductors to help you maintain consistency.

These recommendations are for all connections from the amplifier/receiver to each speaker:

Runs	Gauge
Lengths up to 25' (5 m)	16 or better
Lengths greater than 25' (5 m) but less than 50' (15 m)	14
Lengths greater than 50' (15 m) but less than 75' (25 m)	12
Lengths greater than 75' (25 m)	10

### Binding Posts

To connect wire to the binding post, unscrew the binding post cap and insert the bare wire into the hole near the base of the binding post. Do not insert the insulated part of the wire into the hole as this will not give you a good connection. Tighten the binding post cap until it seats firmly with the wire, but do not over tighten. Make sure to connect to the binding posts labeled "Height".

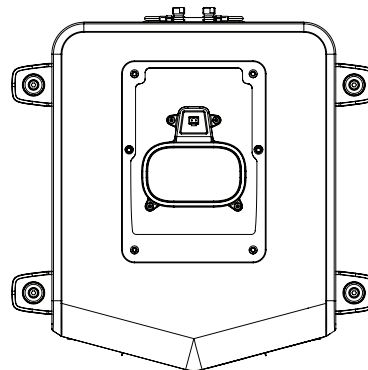


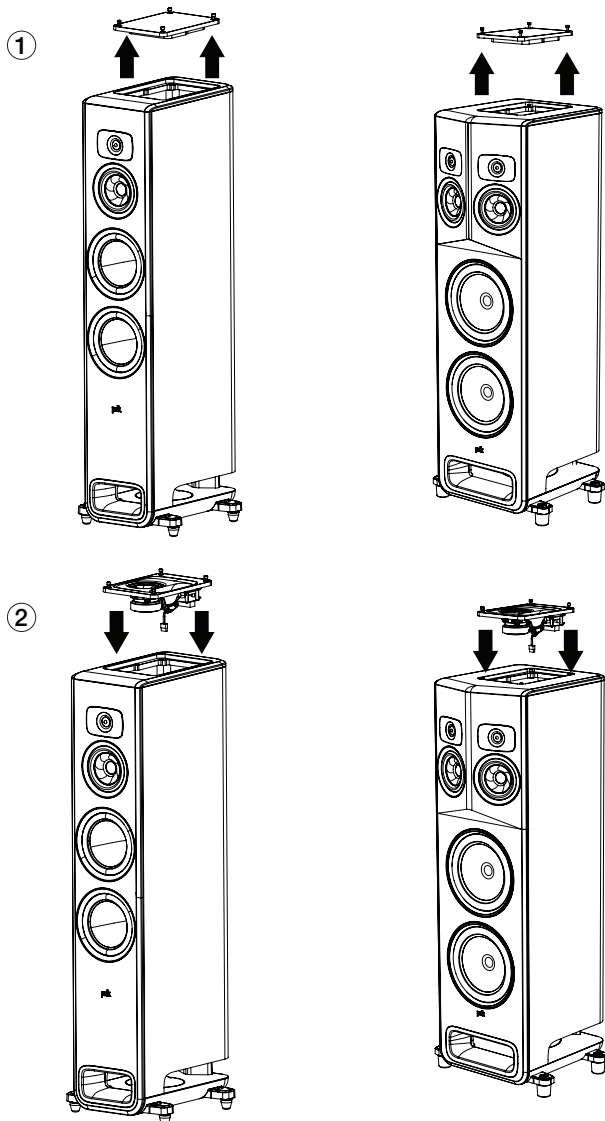
### Connectors

You have several options when choosing connectors for your speaker wires, and it's really a matter of personal preference. Three of the more commonly used are banana plugs, spade lugs and bare wire. If you know where you want to locate your speakers and plan to set up your system and leave them there, then bare wire will work fine. Just make sure there are not stray strands of wire that could come into contact. If you like to experiment with different speaker locations, spade lugs or banana plugs offer more convenient options when it comes to disconnecting and reconnecting wires.

### Connect the L900 Height Modules to Your Corresponding Legend L800 or L600 Loudspeakers

First, using the supplied Allen wrench, unscrew the four screws holding down the top panel of your L800 or L600 loudspeaker. Then, grab the exposed screws and lift the panel off. Set the top panel aside temporarily and/or put away for safekeeping. Next, connect the wiring harness of the corresponding left or right height module to the connector inside the corresponding L800 or L600 loudspeaker. Taking care to avoid pinching the wires, place the height module into the top of the L800 or L600 loudspeaker. Push on the sides of the height module to seat it firmly before screwing the module down. Tighten the screws until snug. Your Polk height module is now ready for use.





**Connect Your L900 Height Modules to Your AV Receiver or Amplifier**

Next, run speaker wire from any compatible Atmos or DTS:X receiver binding posts (often titled HEIGHT) to the top set of binding posts (titled: HEIGHT) on the bottom, rear side of your Legend speakers. Be sure to match + to +, and - to -.

*Note: The L900 height modules for your L800 or L600 speakers requires a Dolby Atmos/DTS:X-enabled receiver and is maximized by Dolby Atmos/DTS:X-encoded source material. Visit [www.dolby.com](http://www.dolby.com) or [www.dts.com](http://www.dts.com) for more information on available titles.*

**Optimize Your L900 Height Modules Theater Experience**

**Ceiling Height**

It's important to know that L900 height modules are height speakers that bounce sound off a ceiling and back toward your listening area. With that in mind, your ceiling plays an important role in the experience. To achieve the best Dolby Atmos or DTS:X experience possible, keep the following in mind:

- Your ceiling should be flat
- Your ceiling material should be acoustically reflective (examples include drywall, plaster, hardwood or other rigid, non-sound absorbing material)
- Ideal ceiling height is between 7.5' and 12'
- Maximum recommended height is 14'

**Receiver Setup Recommendations**

To experience three-dimensional sound formatting, you must have an AV receiver or amplifier that supports Dolby Atmos or DTS:X content. Please reference your receiver/processor owner's manual for complete directions, or give us a call at 1-800-377-POLK (7655).

Adjust the receiver bass management setting for your Polk L900 height modules to "small." If given a choice of crossover frequency, use 120Hz to 150Hz.

**Options to Play or Stream Content**

You can play Dolby Atmos, Dolby Atmos Height Virtualization, DTS, DTS:X, DTS:X Virtual and IMAX Enhanced content from a Blu-ray Disc through an existing Blu-ray Disc player. You must own a device that's fully compliant with Blu-ray specifications. Or, you can stream content from a compatible game console, Blu-ray or streaming media Note: Dolby Atmos and DTS:X are compatible with the current HDMI® specification (v1.4 and later). For more information, visit [www.dolby.com](http://www.dolby.com) or [www.dts.com](http://www.dts.com).

**Maximize Your New Home Theater**

While certified Dolby Atmos or DTS:X content will be maximized on your new system, nearly any content can be improved with the addition of your L900 height modules. For example, nearly all Dolby Atmos receivers feature a Dolby surround up-mixer function that automatically adapts any traditional channel-based signal to the new, full capabilities of your system, including your L900 height modules. This ensures that you hear realistic and immersive three-dimensional sound, no matter what you're playing. Please reference your receiver/processor owner's manual for complete information.



<b>Legend Series Specifications</b>	<b>L900</b>
Type	Elevation Module
Tweeter	0.75" Ring Radiator
Woofers	4"
Frequency Response (-3dB limits)	150-30000Hz
Overall Frequency Response	90-40000Hz
Steady State Recommended Amplifier Power	30-100W
2.83V Sensitivity	86
Impedance	4Ω (2.8Ω min.)
<b>Crossover</b>	
Tweeter/Midrange Crossover Frequency	2000Hz
Tweeter High Pass Slope (acoustic)	24dB/oct.
Midrange Low Pass Slope (acoustic)	18dB/oct.
<b>Dimensions</b>	
Dimensions W x H x D (Inches and Metric) (greatest overall depth, grille)	7.01x9.84x3.3in 178x250x83.9mm
Product Weight (each) (Pd and Kilos)	3.3 lb 1.5 kg
Shipping Weight (Pd and Kilos)	8.4 lb 3.8 kg

## Limited 5-Year Warranty

Polk Audio, Inc. warrants to the original purchaser only that this Polk Audio Loudspeaker Product (the "Product") will be free from defects in materials and workmanship for a period of five (5) years from the date of original retail purchase from a Polk Audio Authorized Dealer. However, this Warranty will automatically terminate prior to the expiration of the five (5) years if the original retail purchaser sells or otherwise transfers the Product to any other party. The original retail purchaser shall hereinafter be referred to as "you." To allow Polk Audio to offer the best possible warranty service, please fill out the Product Registration Card(s) and send it to the Factory, at the address provided on the Product Cards(s) within ten (10) days of the date of purchase.

Defective Products must be shipped, together with proof of purchase, prepaid insured to the Polk Audio Authorized Dealer from whom you purchased the Product, or to the Factory at 1 Viper Way, Vista, California 92081. Products must be shipped in the original shipping container or its equivalent; in any case the risk of loss or damage in transit is to be borne by you. If upon examination at the Factory or Polk Audio Authorized Dealer it is determined that the unit was defective in materials or workmanship at any time during this Warranty period, Polk Audio or the Polk Audio Authorized Dealer will, at its option, repair or replace this Product at no additional charge, except as set forth below. All replaced parts and Products become the property of Polk Audio. Products replaced or repaired under this warranty will be returned to you, within a reasonable time, freight prepaid.

This warranty does not include service or parts to repair damage caused by accident, disaster, misuse, abuse, negligence, inadequate packing or shipping procedures, commercial use, voltage inputs in excess of the rated maximum of the unit, cosmetic appearance of cabinetry not directly attributable to defect in materials or workmanship, or service, repair, or modification of the Product which has not been authorized or approved by Polk Audio. This warranty shall terminate if the Serial number on the Product has been removed, tampered with or defaced. This warranty is in lieu of all other expressed Warranties. If this Product is defective in materials or workmanship as warranted above, your sole remedy shall be repair or replacement as provided above. In no event will Polk Audio, Inc. be liable to you for any incidental or consequential damages arising out of the use or inability to use the Product, even if Polk Audio, Inc. or a Polk Audio Authorized Dealer has been advised of the possibility of such damages, or for any claim by any other party. Some states do not allow the exclusion or limitation of consequential damages, so the above limitation and exclusion may not apply to you. All implied warranties on this Product are limited to the duration of this expressed Warranty.

Some states do not allow limitation on how long an implied Warranty lasts, so the above limitations may not apply to you. This Warranty gives you specific legal rights, and you also may have other rights which vary from state to state.

This Warranty applies only to Products purchased in the United States of America, its possessions, and U.S. and NATO armed forces exchanges and audio clubs. The Warranty terms and conditions applicable to Products purchased in other countries are available from the Polk Audio Authorized Distributors in such countries.

**polk.**

Sound United, LLC  
1 Viper Way  
Vista, CA 92081 USA

EU Importer: D&M Europe B.V.  
Beemdstraat 11, 5653 MA  
Eindhoven, The Netherlands

+1 800-377-7655  
[www.polkaudio.com](http://www.polkaudio.com)  
email: [polkcs@polkaudio.com](mailto:polkcs@polkaudio.com)  
twitter: @polkaudio

©2019 POLK AUDIO  
All Rights Reserved.

HBP4323