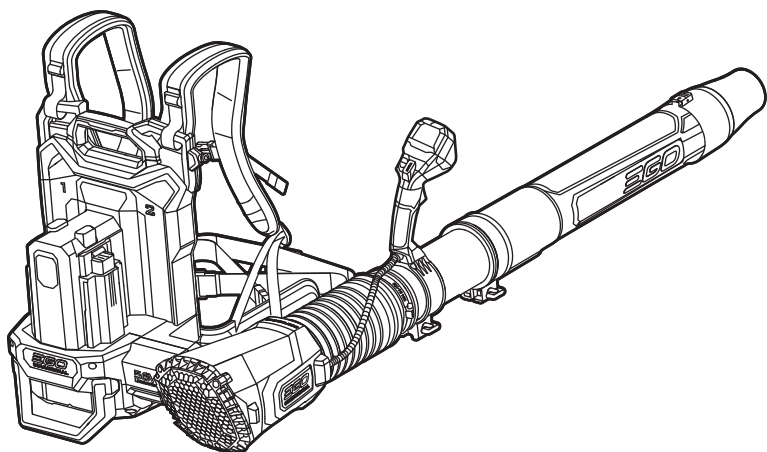


# EGO™

## COMMERCIAL



### OPERATOR'S MANUAL

# 56-VOLT LITHIUM-ION COMMERCIAL BACKPACK BLOWER

MODEL NUMBER LBPX8010/LBPX8010-FC

Français p. 35

Español p. 74

**⚠ WARNING:** To reduce the risk of injury, the user must read and understand the Operator's Manual before using this product. Save these instructions for future reference.

# READ ALL INSTRUCTIONS!



READ & UNDERSTAND  
OPERATOR'S MANUAL

## TABLE OF CONTENTS

|                                       |       |
|---------------------------------------|-------|
| Safety Symbols .....                  | 3     |
| Symbols .....                         | 4-5   |
| General Machine Safety Warnings ..... | 6-9   |
| Blower Safety Warnings .....          | 9-10  |
| FCC Statement .....                   | 11    |
| Introduction .....                    | 12    |
| Specifications .....                  | 13    |
| Description .....                     | 14-16 |
| Assembly .....                        | 17-19 |
| Operation .....                       | 20-29 |
| Maintenance .....                     | 30    |
| Troubleshooting .....                 | 31-32 |
| EGO Limited Warranty .....            | 33-34 |

# SAFETY SYMBOLS

The purpose of safety symbols is to attract your attention to possible dangers. The safety symbols and the explanations with them deserve your careful attention and understanding. The symbol warnings do not, by themselves, eliminate any danger. The instructions and warnings they give are no substitutes for proper accident prevention measures.

**⚠ WARNING:** Be sure to read and understand all safety instructions in this Operator’s Manual, including all safety alert symbols such as “**DANGER**”, “**WARNING**”, and “**CAUTION**” before using this machine. Failure to follow all instructions listed below may result in electric shock, fire, and/or serious personal injury.

|   |  |
|---|--|
| The definitions below describe the level of severity for each signal word. Please read the manual and pay attention to these symbols. |  |
|   | This is the safety alert symbol. It is used to alert you to potential personal injury hazards. Obey all safety messages that follow this symbol to avoid possible injury or death. |
|   | DANGER indicates a hazardous situation which, if not avoided, will result in death or serious injury.  |
|   | WARNING indicates a hazardous situation which, if not avoided, could result in death or serious injury.  |
|   | CAUTION, used with the safety alert symbol, indicates a hazardous situation which, if not avoided, will result in minor or moderate injury.  |

## DAMAGE PREVENTION AND INFORMATION MESSAGES


These inform the user of important information and/or instructions that could lead to equipment or other property damage if they are not followed. Each message is preceded by the word “NOTICE”, as in the example below:

**NOTICE:** Equipment and/or property damage may result if these instructions are not followed.

## SYMBOLS

This page depicts and describes safety symbols that may appear on this product. Read, understand, and follow all instructions on the machine before attempting to assemble and operate.

|  |                                     |   |
|--|-------------------------------------|---|
|  | Safety Alert                        | Precautions that involve your safety  |
|  | Read & Understand Operator's Manual | To reduce the risk of injury, user must read and understand operator's manual before using this product.  |
|  | Wear Eye Protection                 | Always wear safety goggles or safety glasses with side shields and a full face shield when operating this product.  |
|  | Wear Ear Protection                 | Always wear sound barriers (ear plugs or ear muffs) to protect your hearing.  |
|  | Keep Bystanders Away                | Keep all bystanders away from the product during operation.   |
|  | Recycle Symbol                      | This product uses lithium-ion (Li-Ion) batteries. Local, state, or federal laws may prohibit disposal of batteries in ordinary trash. Consult your local waste authority for information regarding available recycling and/or disposal options. |
|  | Ingestion Hazard                    | This product contains a button cell or coin battery.  |
|  | Bluetooth®                          | Bluetooth® Symbol   |

|   |                                |   |
|---|--------------------------------|---|
|  | Direct Current (DC)            | Type or a characteristic of current   |
| IP...   | Ingress Protection (IP) Rating | Classifies the degree of protection provided by an enclosure, for electrical equipment. |
| V   | Volt                           | Voltage   |
| min   | Minutes                        | Time  |
| CFM   | Cubic Feet per Minute          | Air volume  |
| MPH   | Miles per Hour                 | Air velocity  |
| kg  | Kilogram                       | Weight  |
| lbs.  | Pounds                         | Weight  |
| °C  | Degrees Celsius                | Temperature   |
| °F  | Degrees Fahrenheit             | Temperature   |

## GENERAL MACHINE SAFETY WARNINGS

**⚠ WARNING!** Read all safety warnings, instructions, illustrations and specifications provided with this machine. Failure to follow all instructions listed below may result in electric shock, fire and/or serious injury.

### SAVE ALL WARNINGS AND INSTRUCTIONS FOR FUTURE REFERENCE.

The term “machine” in the warnings refers to your mains-operated (corded) machine or battery-operated (cordless) machine.

#### Work area safety

- **Keep work area clean and well lit.** Cluttered or dark areas invite accidents.
- **Do not operate machines in explosive atmospheres, such as in the presence of flammable liquids, gases or dust.** Machines create sparks which may ignite the dust or fumes.
- **Keep children and bystanders away while operating a machine.** Distractions can cause you to lose control.

#### Electrical safety

- **Machine plugs must match the outlet. Never modify the plug in any way. Do not use any adapter plugs with earthed (grounded) machines.** Unmodified plugs and matching outlets will reduce risk of electric shock.
- **Avoid body contact with earthed or grounded surfaces, such as pipes, radiators, ranges and refrigerators.** There is an increased risk of electric shock if your body is earthed or grounded.
- **Do not expose machines to rain or wet conditions.** Water entering a machine will increase the risk of electric shock.
- **Do not abuse the cord. Never use the cord for carrying, pulling or unplugging the machine. Keep cord away from heat, oil, sharp edges or moving parts.** Damaged or entangled cords increase the risk of electric shock.
- **When operating a machine outdoors, use an extension cord suitable for outdoor use.** Use of a cord suitable for outdoor use reduces the risk of electric shock.
- **If operating a machine in a damp location is unavoidable, use a ground fault circuit interrupter (GFCI) protected supply.** Use of a GFCI reduces the risk of electric shock.

## Personal safety

- **Stay alert, watch what you are doing and use common sense when operating a machine. Do not use a machine while you are tired or under the influence of drugs, alcohol or medication.** A moment of inattention while operating machines may result in serious personal injury.
- **Use personal protective equipment. Always wear eye protection.** Protective equipment such as a dust mask, non-skid safety shoes, hard hat or hearing protection used for appropriate conditions will reduce personal injuries.
- **Prevent unintentional starting. Ensure the switch is in the off-position before connecting to power source and/or battery pack, picking up or carrying the machine.** Carrying machines with your finger on the switch or energizing machines that have the switch on invites accidents.
- **Remove any adjusting key or wrench before turning the machine on.** A wrench or a key left attached to a rotating part of the machine may result in personal injury.
- **Do not overreach. Keep proper footing and balance at all times.** This enables better control of the machine in unexpected situations.
- **Dress properly. Do not wear loose clothing or jewelry. Keep your hair, clothing away from moving parts.** Loose clothes, jewelry or long hair can be caught in moving parts.
- **If devices are provided for the connection of dust extraction and collection facilities, ensure these are connected and properly used.** Use of dust collection can reduce dust-related hazards.
- **Do not let familiarity gained from frequent use of machines allow you to become complacent and ignore machine safety principles.** A careless action can cause severe injury within a fraction of a second.

## Machine use and care

- **Do not force the machine. Use the correct machine for your application.** The correct machine will do the job better and safer at the rate for which it was designed.
- **Do not use the machine if the switch does not turn it on and off.** Any machine that cannot be controlled with the switch is dangerous and must be repaired.

- **Disconnect the plug from the power source and/or remove the battery pack, if detachable, from the machine before making any adjustments, changing accessories, or storing machines.** Such preventive safety measures reduce the risk of starting the machine accidentally.
- **Store idle machines out of the reach of children and do not allow persons unfamiliar with the machine or these instructions to operate the machine.** Machines are dangerous in the hands of untrained users.
- **Maintain machines and accessories. Check for misalignment or binding of moving parts, breakage of parts and any other condition that may affect the machine's operation. If damaged, have the machine repaired before use.** Many accidents are caused by poorly maintained machines.
- **Keep cutting machines sharp and clean.** Properly maintained cutting machines with sharp cutting edges are less likely to bind and are easier to control.
- **Use the machine, accessories and machine bits, etc. in accordance with these instructions, taking into account the working conditions and the work to be performed.** Use of the machine for operations different from those intended could result in a hazardous situation.
- **Keep handles and grasping surfaces dry, clean and free from oil and grease.** Slippery handles and grasping surfaces do not allow for safe handling and control of the machine in unexpected situations.

## Battery machine use and care

- **Recharge only with the charger specified by the manufacturer.** A charger that is suitable for one type of battery pack may create a risk of fire when used with another battery pack.
- **Use machines only with specifically designated battery packs.** Use of any other battery packs may create a risk of injury and fire.

| BATTERY   | CHARGER  |
|---|--|
| BA1400, BA1400-FC, BA2800, BA2800-FC, BA4200, BA4200-FC, BA1400T, BA1400T-FC, BA2242T, BA2242T-FC, BA2800T, BA2800T-FC, BA3360T, BA3360T-FC, BA4200T, BA4200T-FC, BA4480T, BA4480T-FC, BA5600T, BA5600T-FC, BA6720T, BA6720T-FC | CH2100, CH2100-FC, CH3200, CH3200-FC, CH5500, CH5500-FC, CH2800D, CH2800D-FC, CH7000, CH7000-FC, CH7000T, CH7000T-FC |



- **When battery pack is not in use, keep it away from other metal objects, like paper clips, coins, keys, nails, screws or other small metal objects, that can make a connection from one terminal to another.** Shorting the battery terminals together may cause burns or a fire.
- **Under abusive conditions, liquid may be ejected from the battery; avoid contact. If contact accidentally occurs, flush with water. If liquid contacts eyes, additionally seek medical help.** Liquid ejected from the battery may cause irritation or burns.
- **Do not use a battery pack or machine that is damaged or modified.** Damaged or modified batteries may exhibit unpredictable behavior resulting in fire, explosion, or risk of injury.
- **Do not expose a battery pack or machine to fire or excessive temperature.** Exposure to fire or temperature above 265°F (130 °C) may cause explosion.
- **Follow all charging instructions and do not charge the battery pack or machine outside the temperature range specified in the instructions.** Charging improperly or at temperatures outside the specified range may damage the battery and increase the risk of fire.

## Service

- **Have your machine serviced by a qualified repair person using only identical replacement parts.** This will ensure that the safety of the machine is maintained.
- **Never service damaged battery packs.** Service of battery packs should only be performed by the manufacturer or authorized service providers.

## BLOWER SAFETY WARNINGS

- **Do not use the machine in bad weather conditions, especially when there is a risk of lightning.** This decreases the risk of being struck by lightning.
- **Wear eye protection and ear protection.** Adequate protective equipment will reduce the risk of personal injury.
- **While operating the machine, always wear non-slip and protective footwear. Do not operate the machine when barefoot or wearing open sandals.** This reduces the risk of injury to the feet.
- **Do not wear loose fitting clothing or articles such as scarves, strings, chains, ties, etc., that could get drawn into the air inlets. Tie back or cover long hair to make sure it does not get drawn into the air inlets.** If any of these items are drawn into the air inlets, it can increase the risk of personal injury.
- **Keep bystanders away while operating the machine.** Thrown debris can increase the risk of personal injury.

- **Never point the blower nozzle in the direction of people or pets or in the direction of windows. Use extra caution when blowing debris near solid objects, such as trees, automobiles and walls that can cause debris to ricochet.** Thrown objects can damage property and increase the risk of personal injury.
- **Do not use the machine to blow anything that is burning or smoking, such as cigarettes, matches or hot ashes.** These ignition sources may increase the risk of fire.
- **Do not touch the fan while still in motion. Turn off the machine and wait until the fan stops before removing any part that may give access to the fan.** This reduces the risk of injury from moving parts.
- **When clearing jammed material or servicing the machine, make sure the power switch is off.** Unexpected starting of the machine while clearing jammed material or servicing may result in serious personal injury.

## COIN BATTERY

- The product contains non-replaceable batteries.
- Remove and immediately recycle or dispose of used batteries according to local regulations and keep away from children. Do NOT dispose of batteries in household trash or incinerate.
- Even used batteries may cause severe injury or death.
- Call a local poison control center for treatment information.
- The type of the coin battery: ICB1250 E6
- Nominal voltage of the coin battery: 3.85V
- Non-rechargeable batteries are not to be recharged.
- Do not force discharge, recharge, disassemble, heat above (manufacturer's specified temperature rating) or incinerate. Doing so may result in injury due to venting, leakage or explosion resulting in chemical burns.

### **WARNING**

- **INGESTION HAZARD:** This product contains a button cell or coin battery.
- **DEATH** or serious injury can occur if ingested.
- A swallowed button cell or coin battery can cause **Internal Chemical Burns** in as little as **2 hours**.
- **KEEP** new and used batteries **OUT OF REACH of CHILDREN**
- **SEEK immediate medical attention** if a battery is suspected to be swallowed or inserted inside any part of the body.



## FCC STATEMENT

1. This device complies with Part 15 of the FCC Rules. Operation is subject to the following two conditions:
  - 1) This device may not cause harmful interference.
  - 2) This device must accept any interference received, including interference that may cause undesired operation.
2. Changes or modifications not expressly approved by the party responsible for compliance could void the user's authority to operate the equipment.

**NOTICE:** This equipment has been tested and found to comply with the limits for a Class B digital device, pursuant to Part 15 of the FCC Rules. These limits are designed to provide reasonable protection against harmful interference in a residential installation. This equipment generates, uses, and can radiate radio frequency energy and, if not installed and used in accordance with the instructions, may cause harmful interference to radio communications. However, there is no guarantee that interference will not occur in a particular installation. If this equipment does cause harmful interference to radio or television reception, which can be determined by turning the equipment off and on, the user is encouraged to try to correct the interference by one or more of the following measures: Reorient or relocate the receiving antenna. Increase the separation between the equipment and receiver. Connect the equipment into an outlet on a circuit different from that to which the receiver is connected. Consult the dealer or an experienced radio/TV technician for help.

**SAVE THESE INSTRUCTIONS!** Refer to them frequently and use them to instruct others who may use this product. If you lend this product to someone else, also lend these instructions to them to prevent misuse of the product and possible injury.



## INTRODUCTION

Congratulations on your selection of the EGO COMMERCIAL 56V Lithium-ion Backpack Blower. It has been designed, engineered and manufactured to give you the best possible dependability and performance.


Should you experience any problem you cannot easily remedy, please contact EGO customer service 1-855-EGO-5656.

This manual contains important information on the safe assembly, operation and maintenance of your product. Read it carefully before using the product. Keep this manual handy so you can refer to it at any time.

SERIAL NUMBER \_\_\_\_\_ DATE OF PURCHASE \_\_\_\_\_

YOU SHOULD RECORD BOTH SERIAL NUMBER AND DATE OF PURCHASE AND KEEP THEM IN A SAFE PLACE FOR FUTURE REFERENCE

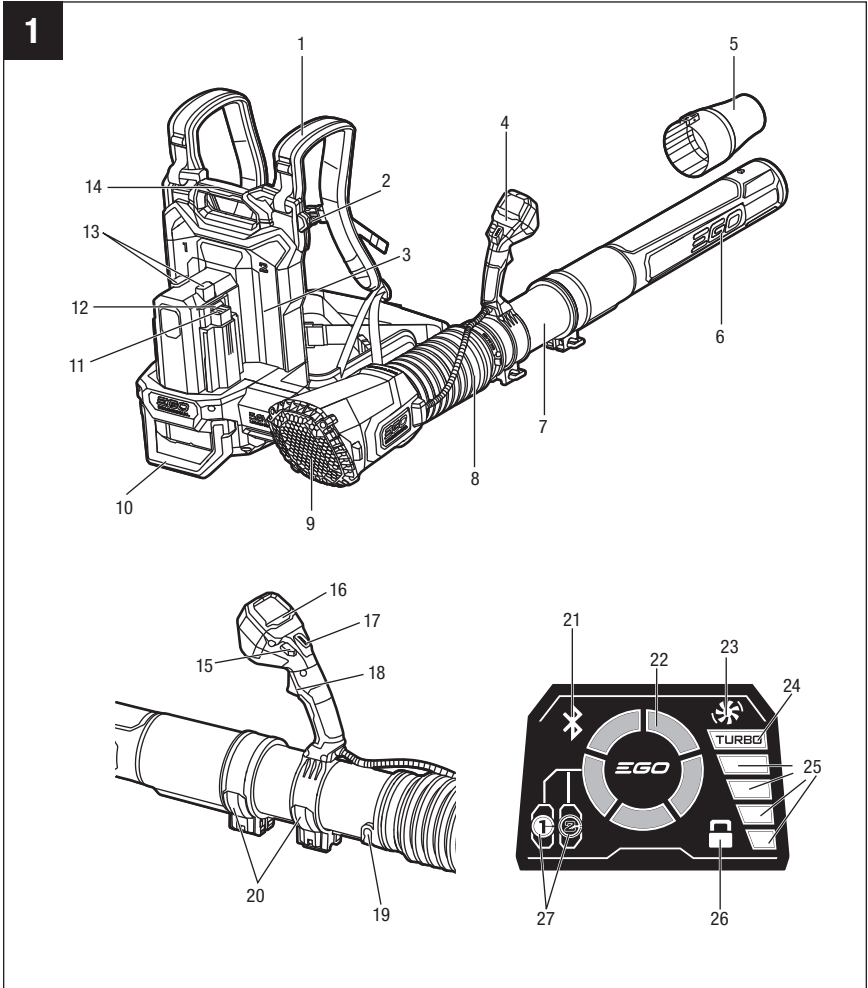
# SPECIFICATIONS

|   |  |                      |
|---|--|----------------------|
| Voltage   | 56 V  |                      |
| Maximum Air Volume                              | 800 CFM  |                      |
| Maximum Air Velocity                            | 190 MPH  |                      |
| Maximum Blowing Force                           | 26 N   |                      |
| Approximate Run Time                            | With two 6.0 Ah Battery Packs  | 24 min. (Turbo)      |
|   |  | 32 min. (High speed) |
|   |  | 120 min. (Low speed) |
|   | With two 7.5 Ah Battery Packs  | 30 min. (Turbo)      |
|   |  | 40 min. (High speed) |
|   |  | 150 min. (Low speed) |
|   | With two 10 Ah Battery Packs   | 40 min. (Turbo)      |
|   |  | 52 min. (High speed) |
|   |  | 200 min. (Low speed) |
|   | With two 12 Ah Battery Packs   | 48 min. (Turbo)      |
|   |  | 63 min. (High speed) |
|   |  | 240 min. (Low speed) |
| Recommended Operating Temperature               | 5°F - 104°F (-15°C - 40°C)   |                      |
| Recommended Storage Temperature                 | -4°F - 158°F (-20°C - 70°C)  |                      |
| Blower Weight (Without battery pack, with tube) | 17 lbs. (7.7 kg)   |                      |
| Ingress Protection Rating                       | IPX5* (Protection against water jets)  |                      |

\* **NOTE:** IPX5 rating is based on the machine and battery being used together as a system.

## DESCRIPTION

### KNOW YOUR BLOWER (Fig. 1)



|    |                            |    |                      |
|----|----------------------------|----|----------------------|
| 1  | Adjustable Support Harness | 15 | Speed Lock Button    |
| 2  | Blower-tube Storage Knob   | 16 | LCD Screen           |
| 3  | Backpack Plate             | 17 | Turbo Button         |
| 4  | Control Handle             | 18 | Air-speed Trigger    |
| 5  | Tapered Nozzle             | 19 | Tube-hanging Groove  |
| 6  | Blower Tube                | 20 | Quick-release Levers |
| 7  | Control-handle Tube        | 21 | Bluetooth Indicator  |
| 8  | Bellows                    | 22 | Fuel Gauge           |
| 9  | Air Inlet                  | 23 | Fan Icon             |
| 10 | Assist Handle              | 24 | Turbo Indicator      |
| 11 | Electric Contacts          | 25 | Air-speed Indicator  |
| 12 | Latch                      | 26 | Speed Lock Icon      |
| 13 | Battery-release Buttons    | 27 | Battery Icon         |
| 14 | Handle                     |    |                      |

**⚠ WARNING:** The safe use of this product requires an understanding of the information on the product and in this instruction manual, as well as knowledge of the project you are attempting. Before use of this product, familiarize yourself with all operating features and safety rules.

### **Air-speed Trigger**

Starts/stops the blower and adjusts the air speed.

### **Speed Lock Button**

Allows the user to operate the blower without continuously pressing the air-speed trigger.

### **Turbo Button**

Temporarily increases the air speed to the maximum while at any speed setting.

### **Battery-release Button**

Releases the battery pack from the blower.

**Latch**

Locks the battery pack when installing it on the blower.

**Tapered Nozzle**

Further concentrates the air flow and increases the air speed.

**Adjustable Support Harness**

Reduces user fatigue by distributing the weight evenly across the shoulders and back.

**Blower-tube Storage Knob and Tube-hanging Groove**

Provide secure storage of the blower tube when the blower is not in use.

**Fuel Gauge**

Indicates the average charge capacity of the inserted battery packs.

**Battery Icon**

Illuminates when the battery packs are inserted into the corresponding battery ports and the blower is turned on.



Illuminate for as long as the turbo button is depressed during operation.



Illuminates when the blower is on and the speed lock button is pressed briefly.

**PEAK POWER™**

This technology combines the power of up to two EGO 56V ARC Lithium™ batteries for longer run time and efficient power draw.



## ASSEMBLY

**⚠ WARNING:** If any parts are damaged or missing, do not operate this product until the parts are replaced. Use of this product with damaged or missing parts could result in serious personal injury.

**⚠ WARNING:** Do not attempt to modify this product or create accessories not recommended for use with this blower. Any such alteration or modification is misuse and could result in a hazardous condition leading to possible serious personal injury.

## UNPACKING

- Carefully remove the product and any accessories from the box. Make sure that all items listed in the packing list are included.

**⚠ WARNING:** Do not use this product if any parts on the packing list are already assembled to your product when you unpack it. Parts on this list are not assembled to the product by the manufacturer and require customer installation. Use of a product that may have been improperly assembled could result in serious personal injury.

- Inspect the product carefully to make sure that no breakage or damage occurred during shipping.
- Do not discard the packing material until you have carefully inspected and satisfactorily operated the product .
- If any parts are damaged or missing, please return the product to the place of purchase.

## PACKING LIST

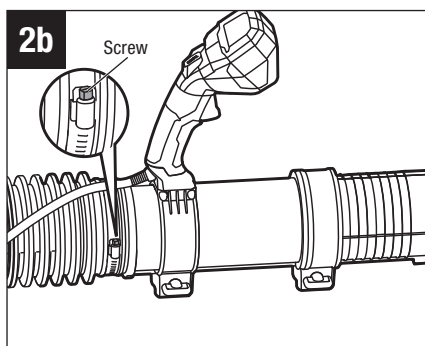
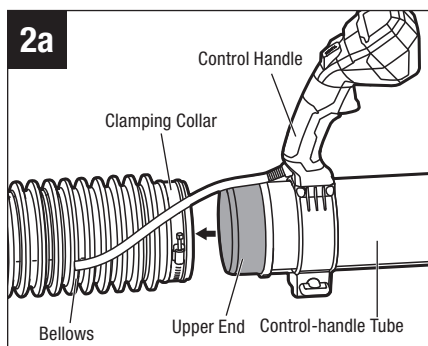
| PART NAME         | QUANTITY |
|-------------------|----------|
| Blower            | 1        |
| Blower tube       | 1        |
| Tapered nozzle    | 1        |
| Operator's Manual | 1        |

## ASSEMBLING THE BLOWER TUBES

**⚠ WARNING:** To prevent accidental starting that could cause serious personal injury, always remove the battery pack(s) from the blower when assembling parts.

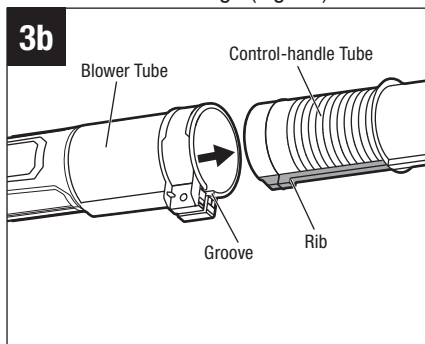
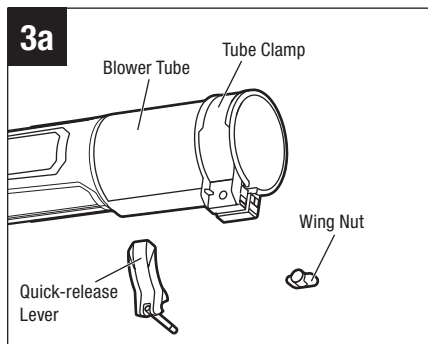
### Connecting the Control-Handle Tube to the Bellows

1. Insert the upper end of the control-handle tube into the bellows as far as it will go (Fig. 2a).
2. Using a flat screwdriver (not included), securely tighten the screw in the clamping collar affixed to the bellows (Fig. 2b).

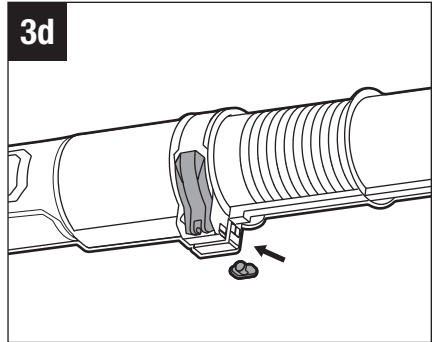
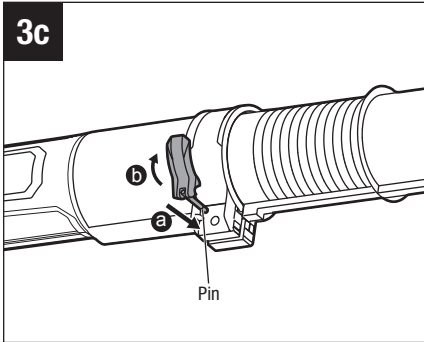


### Connecting the Blower Tube to the Control-Handle Tube

1. Loosen and remove the quick-release lever and wing nut from the tube clamp assembly affixed to the blower tube (Fig. 3a).
2. Align the groove in the blower tube with the rib on the control-handle tube, slide the blower tube over the control-handle tube as far as it will go (Fig. 3b).

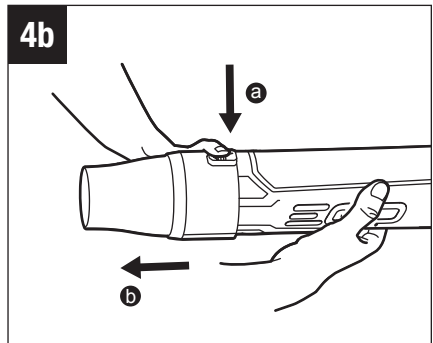
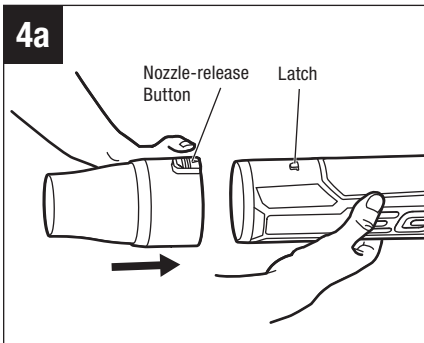


3. Insert the pin of the quick-release lever and close the lever onto the tube clamp (Fig. 3c).
4. Tighten the wing nut to secure the tube clamp (Fig. 3d).



### Connecting the Tapered Nozzle to the Blower Tube

1. Align the groove in the nozzle with the latch on the tube. Push the nozzle over the tube until it securely snaps into place (Fig. 4a).
2. To remove the nozzle, press and hold the nozzle-release button to disengage the latch, then pull the nozzle straight from the blower tube (Fig. 4b).



## OPERATION

**⚠ WARNING:** Do not allow familiarity with this product to make you careless. Remember that a careless fraction of a second is sufficient to inflict serious injury.

**⚠ WARNING:** Always wear eye protection with side shields that is marked to comply with ANSI Z87.1, along with hearing protection. Failure to do so could result in objects being thrown into your eyes and other possible serious injuries.

**⚠ WARNING:** Do not use any attachments or accessories not recommended by the manufacturer of this product. The use of attachments or accessories not recommended can result in serious personal injury.

Before each use, inspect the entire product for damaged, missing, or loose parts, such as screws, nuts, bolts, caps, etc. Tighten securely all fasteners and caps and do not operate this product until all missing or damaged parts are replaced.

## APPLICATION

You may use this product for the purposes listed below:

- Clearing leaves and miscellaneous yard debris from lawns and mulch beds
- Clearing hard surfaces, such as driveways and walkways
- Keeping decks and driveways free from leaves and pine needles

## TO INSTALL/REMOVE BATTERY PACKS

**NOTE:** Fully charge the battery pack(s) before first use.

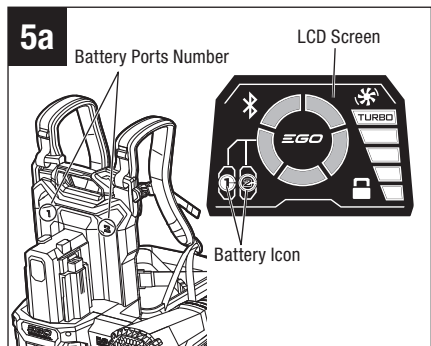
**NOTE:** For best performance, we recommend use of the EGO 56V battery pack BA3360T/BA3360T-FC (6.0 Ah) or other EGO 56V battery packs with higher Ah rating.

**⚠ WARNING:** Always remove the battery pack(s) from the product when you are assembling parts, making adjustments, cleaning, or when not in use. Removing the battery pack(s) will prevent accidental starting that could cause serious personal injury.

The blower has two active battery ports, located on the left and right side of the battery port housing.

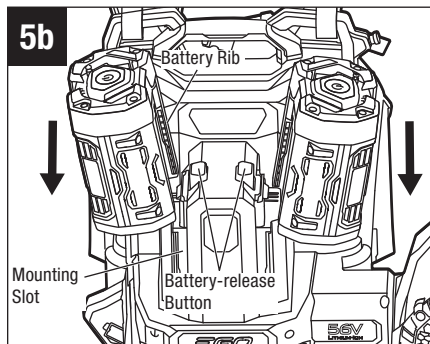
**NOTE:** The blower can operate off of one or two batteries. Using two batteries gives you a longer run time and efficient power draw managed by PEAK POWER™ technology.

When the battery packs are inserted into the corresponding battery ports marked with 1 or 2 on the backpack plate, and the blower is turned on, the corresponding battery icon will illuminate on the LCD screen (Fig. 5a).



### To Install Battery Packs (Fig. 5b)

1. Align the ribs of the battery pack with the mounting slots in the blower's battery port.
2. Press the battery pack down until it snaps into position.
3. Repeat the process to install the second battery pack.



### To Remove Battery Packs

**⚠ WARNING:** Always take care to note the location of your feet, children, or pets when pressing the battery-release button. Serious injury could result if the battery pack

falls. NEVER remove the battery pack when in a high location.

1. Press the battery-release buttons; the battery packs will disengage from the latch and the ejection mechanism will assist with removal.
2. Remove the battery packs from the blower.

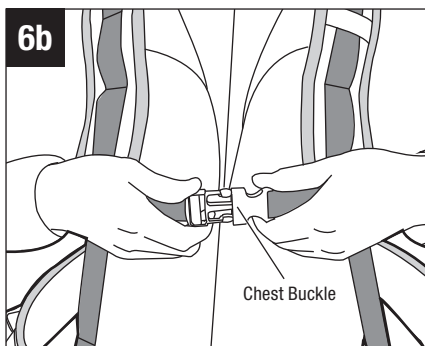
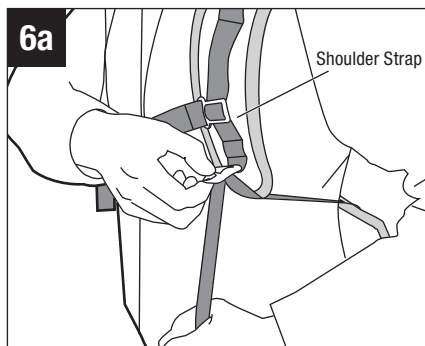
## POSITIONING THE BACKPACK BLOWER

**⚠ WARNING:** Dress properly to reduce the risk of injury when operating this machine. Do not wear loose clothing or jewelry. Wear eye and ear/hearing protection. Wear heavy, long pants, boots and gloves. Do not wear short pants, sandals or go barefoot.

Before using the backpack blower, make sure that the operator is wearing eye protection and proper clothing and can maintain a secure and balanced footing.

### To Adjust the Support Harness

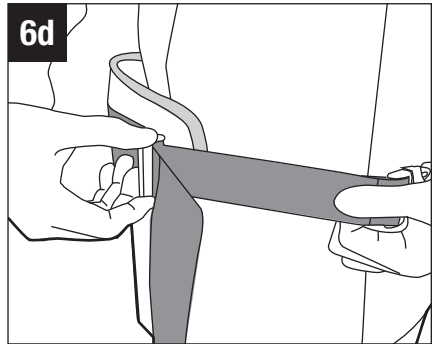
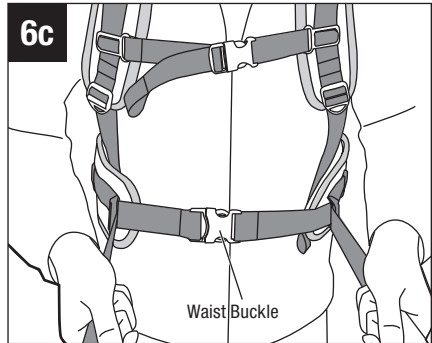
1. Put your arms through the backpack straps to support the blower on your back.
2. Temporarily adjust both shoulder straps to comfortable positions (Fig. 6a), making sure that your elbow is comfortable.
3. Snap the chest buckle and adjust the chest strap length if necessary (Fig. 6b).



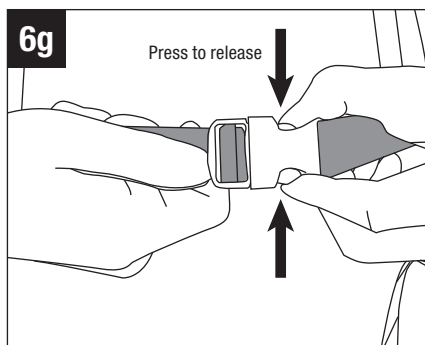
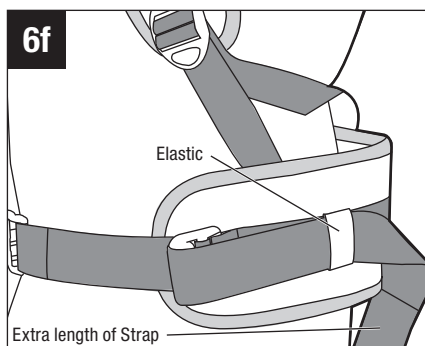
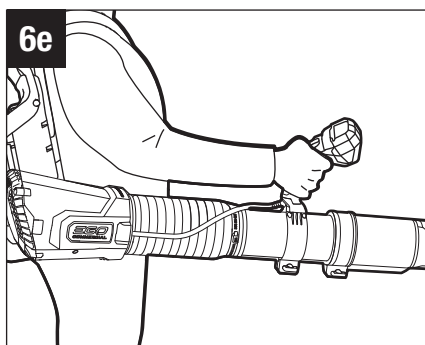
4. Snap the waist buckle and adjust the waist strap length so that the backpack is securely supported by your hips (Fig. 6c & 6d).

**NOTE:** The backpack shouldn't sit too high on your back; it should be positioned closer to your hips than to your shoulders.

**⚠ WARNING:** When emergency occurs, release the chest and waist buckles immediately to take off the backpack strap at each side. This is a quick release method.



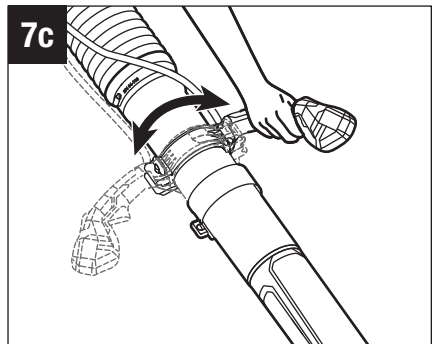
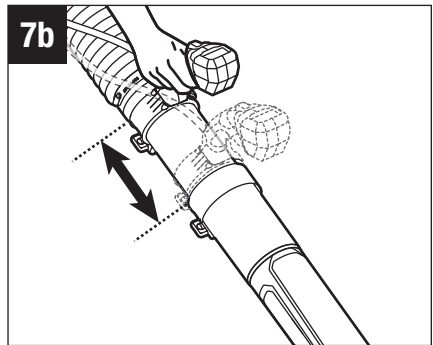
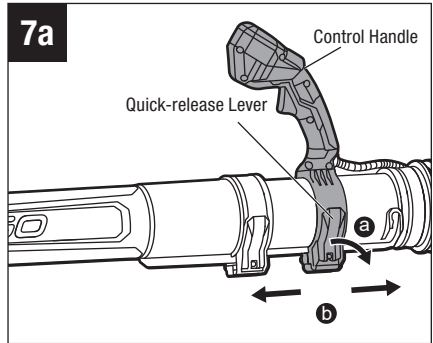
5. Readjust the shoulder straps for security and comfort. Make sure that the backpack sits securely on your back, with the weight supported by the waist strap, and without excess movement when you move (Fig. 6e).
6. Insert any extra length of the strap around the waist into the elastic on both sides (Fig. 6f).
7. To detach the backpack from your back, just press the waist and chest buckles to release them and lower the blower (Fig. 6g).





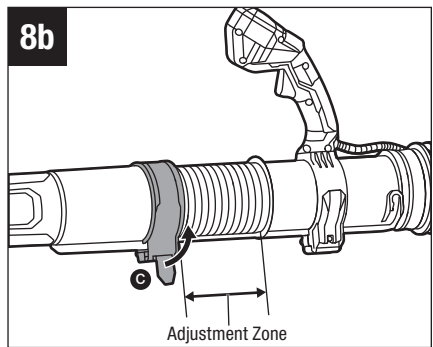
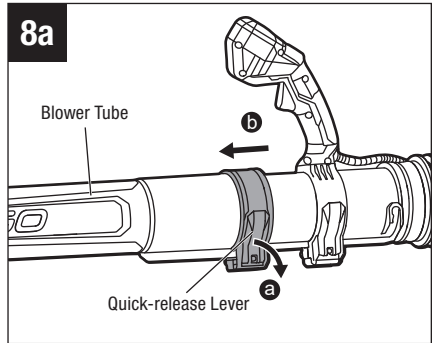
## To Adjust the Control Handle

1. Release the quick-release lever to move the control handle forward or backward as needed (Fig. 7a & 7b) and then engage the quick-release lever to secure the control handle in place.
2. You may also rotate the handle as needed for comfort (Fig. 7c).



## To Adjust the Control-Handle Tube Length (Fig. 8a, 8b)

1. Release the quick-release lever.
2. Move the blower tube to a comfortable operating position within the adjustment zone (Fig. 8a).
3. Engage the quick-release lever to secure the blower tube in place (Fig. 8b).



## STARTING/STOPPING THE BLOWER

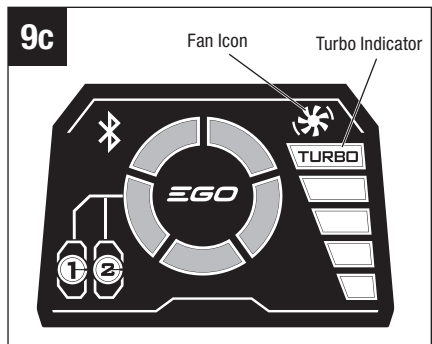
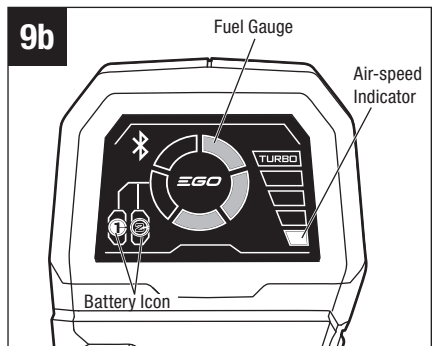
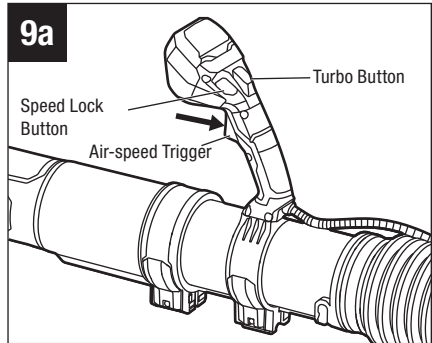
**NOTE:** The blower may not properly start if the battery pack or the blower temperature is  $-4^{\circ}\text{F}$  ( $-15^{\circ}\text{C}$ ) or less. In this case, remove the battery pack from the blower, allow the battery pack and blower to warm up indoors for 10 minutes or longer. Reinstall the battery pack and try again.

### Air-Speed Trigger (Fig. 9a, 9b)

- Depress the air-speed trigger to turn on the blower, then the LCD screen will display the fuel gauge, battery icon, and air speed indicator.

**NOTE:** 1 LED of the fuel gauge on the LCD screen flashes when the battery charge is low.

- The air speed of the blower is controlled with the variable speed trigger. More pressure on the trigger results in higher blowing speeds; less pressure on the trigger results in lower blowing speeds. Adjust the speed to suit the task at hand. The corresponding air speed indicator will display on the LCD screen.
- Release the air-speed trigger to turn off the blower. The LCD screen will turn off within a certain period of time after the trigger is released.




### Turbo Mode

While the air-speed trigger is depressed and held, press the turbo button to increase the air flow to the maximum velocity (Fig. 9a). Both the turbo indicator **TURBO** and the fan icon will illuminate on the LCD screen (Fig. 9c).


**NOTE:** The blower will return to the previous speed when the turbo button is released.

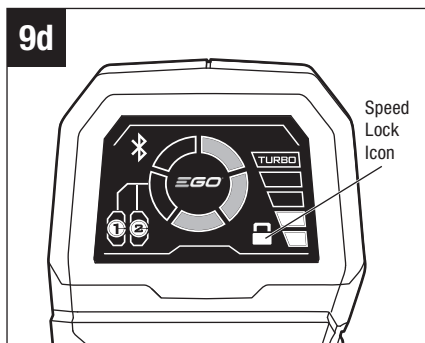
## Speed Lock Mode

The speed lock can be used to operate the blower without continuously pressing the air-speed trigger.

1. Depress the air-speed trigger until you reach the desired speed (see Fig. 9a).
2. Press the speed lock button. The speed lock icon  will illuminate on the LCD screen (Fig. 9d).
3. Then release the air-speed trigger, the blower will keep running at “desired” speed.

**NOTE: Pressing the turbo button while in speed lock mode can lock the air speed at the maximum level. The blower will resume the previous speed when you press the turbo button once more.**

4. **To release the speed lock**, press the speed lock button again. The speed lock icon  will disappear from the LCD screen and the blower will turn off.



## BLUETOOTH® WIRELESS TECHNOLOGY

Products with built-in Bluetooth® wireless technology can connect to mobile devices using EGO apps. Please visit [www.egopowerplus.com/commercial](http://www.egopowerplus.com/commercial) for instructions and follow the guidance in the EGO Connect App on how to connect and use the Bluetooth® function.

The Bluetooth® indicator will light up when the machine is connected to your mobile device.

## **TIPS FOR USING THE BLOWER**

- To keep from scattering debris, blow around the outer edges of a debris pile. Never blow directly into the center of a pile.
- To reduce sound levels, limit the number of pieces of equipment used at any one time.
- Use rakes and brooms to loosen debris before blowing. In dusty conditions, slightly dampen surfaces if water is available.
- Watch out for children, pets, open windows, or freshly washed cars, and blow debris safely away.
- After using blowers or other equipment, clean up! Dispose of debris properly.

## MAINTENANCE

**⚠ WARNING:** When servicing, use only identical replacement parts. Use of any other parts may create a hazard or cause product damage. To ensure safety and reliability, all repairs should be performed by a qualified service technician.

**⚠ WARNING:** To avoid serious personal injury, always remove the battery pack from the blower before cleaning or performing any maintenance.

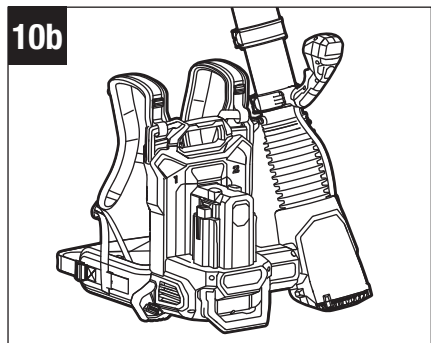
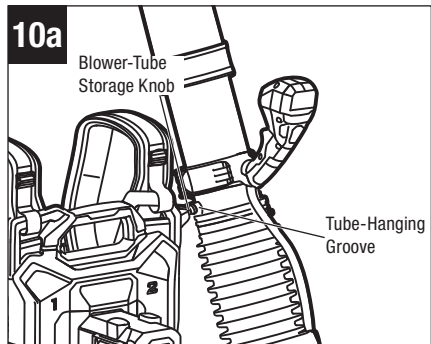
### GENERAL MAINTENANCE

Avoid using solvents when cleaning plastic parts. Most plastics are susceptible to damage from various types of commercial solvents and may be damaged by their use. Use clean cloths to remove dirt, dust, oil, grease, etc.

**⚠ WARNING:** Do not at any time let brake fluids, gasoline, petroleum-based products, penetrating oils, etc., come in contact with plastic parts. Chemicals can damage, weaken or destroy plastic which may result in serious personal injury.

### STORAGE

- Remove the battery pack(s) from the blower.
- Clean all foreign material from the air inlets of the blower.
- Align the blower-tube storage knob with the tube-hanging groove and hook the blower tube onto the battery port housing (Fig. 10a & 10b).
- Store in an enclosed space that is inaccessible to children. Keep away from corrosive agents, such as garden chemicals and de-icing salts.



# TROUBLESHOOTING

| PROBLEM   | CAUSE   | SOLUTION  |
|---|---|---|
| Blower doesn't work.                            | <ul style="list-style-type: none"> <li>■ The battery pack is not attached to the blower.</li> <li>■ There is no electrical contact between the blower and battery pack.</li> <li>■ The battery pack charge is depleted.</li> <li>■ The battery pack or blower is too hot.</li> <li>■ Damaged air-speed trigger.</li> <li>■ The battery pack or blower is too cold.</li> </ul> | <ul style="list-style-type: none"> <li>■ Attach the battery pack to the blower.</li> <li>■ Remove battery pack, check contacts and reinstall the battery pack.</li> <li>■ Charge the battery pack.</li> <li>■ Cool the battery pack and blower until their temperature drops below 152°F (67°C).</li> <li>■ Contact EGO Customer Service for repair.</li> <li>■ Remove the battery pack, allow the battery pack and blower to warm up indoors. It is recommended to fully charge the battery pack and start the blower at low speed without activating the Turbo mode.</li> </ul> |
| The speed lock mode cannot be turned on or off. | <ul style="list-style-type: none"> <li>■ Damaged speed lock button.</li> </ul>  | <ul style="list-style-type: none"> <li>■ Contact EGO Customer Service for repair.</li> </ul>  |

| <b>PROBLEM</b>                                     | <b>CAUSE</b>   | <b>SOLUTION</b>  |
|--|--|--|
| The air speed is noticeably reduced.               | <ul style="list-style-type: none"><li>■ The battery pack charge is low.</li><li>■ Excessive worn of motor fan.</li><li>■ The air inlet is blocked by debris.</li></ul> | <ul style="list-style-type: none"><li>■ Charge the battery pack.</li><li>■ Contact EGO Customer Service for repair.</li><li>■ Remove the battery pack, clear the debris.</li></ul> |
| LCD Screen not functioning properly.               | <ul style="list-style-type: none"><li>■ LCD screen or wire connection are damaged.</li></ul>   | <ul style="list-style-type: none"><li>■ Contact EGO Customer Service for repair.</li></ul>   |
| 1 LED of the fuel gauge on the LCD screen flashes. | <ul style="list-style-type: none"><li>■ The battery pack charge is low.</li></ul>  | <ul style="list-style-type: none"><li>■ Charge the battery pack.</li></ul>   |





---

# EGO LIMITED WARRANTY

## WARRANTY POLICY TERMS AND DURATION

Chervon North America, Inc. (“Chervon North America”) provides the following Limited Warranty for EGO products to the original purchaser of EGO products.

The detailed warranty period for each EGO product can be found online at <http://egopowerplus.com/warranty-policy>.

**Please contact EGO Customer Service Toll-Free at 1-855-EGO-5656** any time you have questions or warranty claims.

## LIMITED SERVICE WARRANTY

EGO products are warranted against defects in material or workmanship from the date of original retail purchase for the applicable warranty period. For any properly and timely submitted warranty claim, if Chervon North America determines a product to be defective during the warranty period, the product will receive free repair or replacement as determined by Chervon North America.

## HOW TO OBTAIN SERVICE

For warranty service, within the applicable warranty period, please contact EGO customer service toll-free at **1-855-EGO-5656**. When requesting warranty service, you must present the original dated sales receipt. An authorized service center will be selected to evaluate and repair the product if defective according to the stated warranty terms. When bringing your product to the authorized service center, there may be a small deposit that will be required when dropping off your tool. This deposit is refundable when the repair service is deemed to be covered under warranty. The purchaser is responsible for transportation of any outdoor power equipment or attachments at their expense.

## ADDITIONAL LIMITATIONS & EXCLUSIONS

This limited warranty applies only to the original purchaser from an authorized EGO retailer and is not transferable. EGO products shall not be considered defective, and this warranty will not apply, where the claimed defect is attributable to any cause other than the above-defined defects. This warranty shall be void if the product has been used for rental purposes. This warranty shall not apply to damage caused by accident, abuse, misuse, alteration, modification, unauthorized repair, liquid contact, fire, earthquake or other external cause; operating the product outside EGO’s instructions, specifications or guidelines; or failure to properly service or maintain the product. This warranty also



does not apply to cosmetic damage, including but not limited to scratches or dents; defects caused by normal wear and tear or otherwise due to the normal aging of the product.

THIS EXPRESS WARRANTY IS GIVEN IN LIEU OF ALL OTHER WARRANTIES, EXPRESS OR IMPLIED, INCLUDING, BUT NOT LIMITED TO, ANY WARRANTIES OF MERCHANTABILITY OR FITNESS FOR PARTICULAR PURPOSE OR USE, WHICH ARE DISCLAIMED. Any implied warranties, including warranties of merchantability or fitness for a particular purpose, that cannot be disclaimed under state law are limited to the applicable warranty period defined at the beginning of this article. The sole and exclusive remedy in connection with the purchase, installation, use, and/or performance of the EGO products is repair or replacement of the product as determined by Chervon North America. Chervon North America's maximum liability shall not in any case exceed the purchase price paid for the product. CHERVON NORTH AMERICA SHALL NOT BE LIABLE TO THE USER OR TO ANYONE ELSE FOR CONSEQUENTIAL, INCIDENTAL, SPECIAL, EXEMPLARY, INDIRECT, OR PUNITIVE DAMAGES ARISING FROM USE OF THE PRODUCTS, INCLUDING BUT NOT LIMITED TO PERSONAL INJURY, DEATH, PROPERTY DAMAGE, LOST PROFITS, OR OTHER ECONOMIC INJURY. This warranty gives you specific legal rights, and you may also have other rights which vary from state to state. Some states do not allow limitations on how long an implied warranty lasts, the exclusion or limitation of incidental or consequential damages, or the limitations on time to bring certain actions, so such limitations contained herein do not apply to individual consumers in those states.

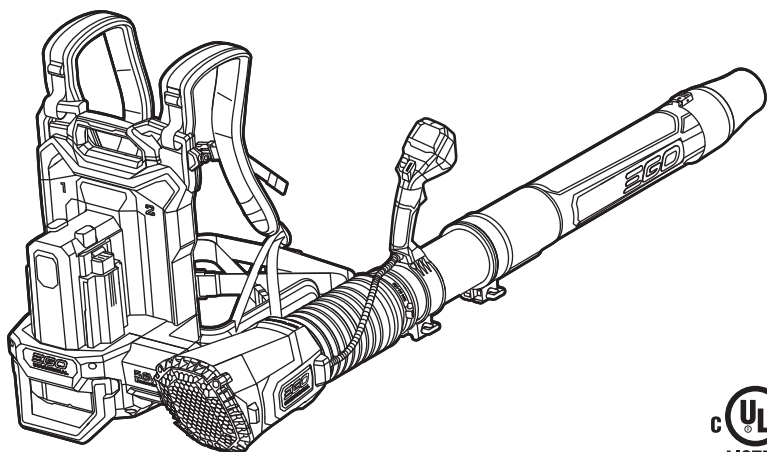
This warranty is subject to and shall be interpreted according to Michigan law without regard to principles of conflicts of laws. No legal action shall be brought against Chervon North America unless filed within one (1) year after the basis for such legal action becomes known, or with the exercise of reasonable diligence should have become known. Any action not timely filed shall be deemed waived.

For customer service contact us toll-free at: **1-855-EGO-5656** or **EGOPOWERPLUS.COM**.

EGO Customer Service  
769 Seward Ave. NW, Suite 102  
Grand Rapids, Michigan 49504.

# EGO™

## COMMERCIAL



GUIDE D'UTILISATION

# SOUFFLEUSE COMMERCIALE TRANSPORTABLE DANS UN SAC À DOS À PILES AU LITHIUM-ION DE 56 VOLTS

NUMÉRO DE MODÈLE LBPX8010/LBPX8010-FC

**⚠ AVERTISSEMENT :** Afin de réduire les risques de blessure, l'utilisateur doit lire et comprendre le guide d'utilisation avant d'utiliser ce produit. Conservez le présent guide afin de pouvoir le consulter ultérieurement.

# LISEZ TOUTES LES INSTRUCTIONS!



LISEZ LE MODE D'EMPLOI ET  
ASSUREZ-VOUS QUE VOUS LE COMPRENEZ

## TABLE DES MATIÈRES

|  |       |
|--|-------|
| Symboles relatifs à la sécurité .....                            | 37-38 |
| Symboles .....   | 39-40 |
| Avertissements généraux sur la sécurité concernant la machine. . | 41-45 |
| Avertissements de sécurité concernant le souffleur .....         | 45-46 |
| Déclaration relative à la FCC .....                              | 47    |
| Introduction .....   | 48    |
| Spécifications .....   | 49    |
| Description .....  | 50-52 |
| Assemblage .....   | 53-56 |
| Fonctionnement .....   | 57-66 |
| Maintenance .....  | 67-68 |
| Guide de dépannage .....   | 69-70 |
| Garantie limitée EGO .....                                       | 71-73 |

# SYMBOLES RELATIFS À LA SÉCURITÉ

La raison d'être des symboles relatif à la sécurité est d'attirer votre attention sur des dangers possibles. Il est important de vous familiariser avec les symboles relatifs à la sécurité et les explications qui les accompagnent afin de bien les comprendre. Les avertissements et les symboles associés ne suffisent pas à éliminer tous les dangers. Les instructions et les avertissements qu'ils donnent ne sauraient remplacer des mesures de prévention des accidents appropriées.

**⚠ AVERTISSEMENT:** Assurez-vous de lire et de comprendre toutes les consignes de sécurité présentées dans le présent mode d'emploi, notamment toutes les consignes de sécurité indiquées par « **DANGER** », « **AVERTISSEMENT** » et « **MISE EN GARDE** ». Le non-respect des consignes de sécurité ci-dessous peut occasionner une décharge électrique, un incendie ou des blessures graves.

|  |   |
|--|---|
| Les définitions ci-dessous décrivent le niveau de gravité pour chaque terme signalant un danger. Veuillez lire le mode d'emploi et regarder la signification de ces symboles |   |
|  | C'est le symbole d'alerte relatif à la sécurité. Il est utilisé pour vous avertir de l'existence possible d'un danger de lésion corporelle. Obéissez à tous les messages relatifs à la sécurité qui suivent ce symbole pour éviter tout risque de blessure ou même de mort. |
|  | <b>DANGER</b> indique une situation dangereuse qui, si elle n'est pas évitée, causera la mort d'une personne ou une blessure grave.   |
|  | <b>AVERTISSEMENT</b> indique une situation dangereuse qui, si elle n'est pas évitée, pourrait causer la mort d'une personne ou une blessure grave.  |
|  | <b>MISE EN GARDE</b> , conjointement avec le symbole d'alerte en liaison avec la sécurité, indique une situation dangereuse qui, si elle n'est pas évitée, causera une blessure légère ou modérée.  |

## MESSAGES D'INFORMATION ET DE PRÉVENTION DES DOMMAGES



Ils informent l'utilisateur d'informations et/ou d'instructions importantes qui pourraient entraîner des dommages matériels ou aux équipements s'ils ne sont pas suivis. Chaque message est précédé par le terme « AVIS », comme dans l'exemple ci-dessous :

**AVIS :** Un dommage matériel et/ou aux équipements peut survenir si ces instructions ne sont pas suivies.

# SYMBOLES

Cette page représente et décrit les symboles de sécurité qui peuvent figurer sur ce produit. Lisez, comprenez et suivez toutes les instructions figurant sur la lampe avant de l'assembler et de commencer à l'utiliser.

|  |   |   |
|--|---|---|
|  | <p>Alerte à la sécurité</p>   | <p>Précautions en liaison avec votre sécurité.</p>  |
|  | <p>Lisez le mode d'emploi, et assurez-vous que vous le comprenez.</p> | <p>Pour réduire le risque de blessure, l'utilisateur doit lire et comprendre le mode d'emploi avant de commencer à utiliser ce produit.</p>   |
|  | <p>Portez des lunettes de protection</p>                              | <p>Portez toujours des lunettes de sécurité ou des lunettes de sécurité avec des écrans latéraux et un écran facial complet lorsque vous utilisez ce produit.</p>   |
|  | <p>Portez des protections auditives</p>                               | <p>Portez toujours des protections sonores (bouchons d'oreille ou silencieux) pour protéger votre ouïe.</p>   |
|  | <p>Gardez les passants éloignés</p>                                   | <p>Gardez toutes les personnes présentes éloignées de l'appareil pendant son fonctionnement.</p>  |
|  | <p>Symbole de recyclage</p>   | <p>Ce produit utilise des piles au lithium-ion (Li-ion). Les lois et règlements locaux, provinciaux et fédéraux interdisent peut-être de jeter des piles au lithium-ion dans les ordures ordinaires. Consultez votre service municipal responsable de la gestion des déchets pour déterminer quelles sont les options de recyclage et/ou d'élimination possibles.</p> |
|  | <p>Risque d'ingestion</p>   | <p>Ce produit contient une pile bouton ou une pile en forme de pièce de monnaie.</p>  |

|   |                           |   |
|---|---------------------------|---|
|  | Bluetooth®                | Symbole Bluetooth®  |
|  | Courant continu<br>(c.c.) | Type ou caractéristique du courant  |
| IP...   | Indice de protection (IP) | Classifie le degré de protection fourni par une enceinte pour le matériel électrique. |
| V   | Volts                     | Tension   |
| min   | Minutes                   | Heure   |
| CFM   | Pieds cubes par minute    | Volume d'air  |
| MPH   | Miles par heure           | Vitesse de l'air  |
| kg  | Kilogramme                | Poids   |
| lbs.  | Livres                    | Poids   |
| °C  | Degrés Celsius            | Température   |
| °F  | Degrés Fahrenheit         | Température   |



# AVERTISSEMENTS GÉNÉRAUX SUR LA SÉCURITÉ CONCERNANT LA MACHINE

**⚠ AVERTISSEMENT !** Lisez tous les avertissements de sécurité, les instructions, les illustrations et les spécifications fournis avec cette machine. Le non-respect de toutes les instructions énumérées ci-dessous peut entraîner un choc électrique, un incendie et/ou des blessures graves.

## CONSERVEZ TOUS LES AVERTISSEMENTS ET TOUTES LES INSTRUCTIONS POUR TOUTE RÉFÉRENCE ULTÉRIEURE.

Le terme « machine » dans les avertissements fait référence à votre machine fonctionnant sur secteur (avec fil) ou sur batterie (sans cordon).

### Sécurité de la zone de travail

- **Gardez la zone de travail propre et bien éclairée.** Les zones encombrées ou sombres sont propices aux accidents.
- **N'utilisez pas de machines dans des atmosphères explosives, par exemple en présence de liquides, de gaz ou de poussières inflammables.** Les machines créent des étincelles qui peuvent enflammer les poussières ou les fumées.
- **Éloignez les enfants et les passants lorsque vous utilisez une machine.** Les distractions peuvent vous faire perdre le contrôle.

### Sécurité électrique

- **Les fiches de la machine doivent correspondre à la prise. Ne modifiez jamais la fiche de quelque manière que ce soit. N'utilisez pas de fiche d'adaptateur avec des machines mises à la terre.** Des fiches non modifiées et des prises de courant adaptées réduisent le risque de choc électrique.
- **Évitez tout contact corporel avec des surfaces mises à la terre ou mises à la terre, telles que des tuyaux, des radiateurs, des cuisinières et des réfrigérateurs.** Le risque de choc électrique est accru si votre corps est relié à la terre.
- **N'exposez pas la machine à la pluie ou à l'humidité.** La pénétration d'eau dans la machine augmente le risque d'électrocution.

- **Ne maltraitez pas le cordon. N'utilisez jamais le cordon pour porter, tirer ou débrancher la machine. Gardez le cordon à l'écart de la chaleur, de l'huile, des bords tranchants ou des pièces mobiles.** Les cordons endommagés ou emmêlés augmentent le risque d'électrocution.
- **Lorsque vous utilisez la machine à l'extérieur, utilisez une rallonge adaptée à cet usage.** L'utilisation d'un cordon adapté à une utilisation en extérieur réduit le risque de choc électrique.
- **Si l'utilisation d'une machine dans un endroit humide est inévitable, utilisez une alimentation protégée par un disjoncteur de fuite à la terre (DDFT).** L'utilisation d'un disjoncteur de fuite à la terre réduit le risque de choc électrique.

## Sécurité personnelle

- **Restez vigilant(e), regardez ce que vous faites et faites preuve de bon sens lorsque vous utilisez la machine. N'utilisez pas la machine si vous êtes fatigué ou sous l'influence de drogues, d'alcool ou de médicaments.** Un moment d'inattention lors de l'utilisation de la machine peut entraîner des blessures graves.
- **Utilisez un équipement de protection individuelle.** Portez toujours des lunettes de protection. Les équipements de protection tels qu'un masque anti-poussière, des chaussures de sécurité antidérapantes, un casque de sécurité ou des protections auditives utilisés dans des conditions appropriées réduiront les risques de blessures.
- **Empêchez tout démarrage involontaire. Assurez-vous que l'interrupteur est en position d'arrêt avant de brancher la source d'alimentation et/ou la batterie, de prendre ou de transporter la machine.** Porter des machines avec le doigt sur l'interrupteur ou mettre sous tension des machines dont l'interrupteur est en position de marche est une source d'accidents.
- **Retirez toute clé de réglage ou autre clé avant de mettre la machine en marche.** Une clé laissée sur une pièce rotative de la machine peut entraîner des blessures.
- **Ne tentez pas d'atteindre un endroit trop éloigné avec la machine.** Gardez toujours une bonne assise et un bon équilibre. Cela permet de mieux contrôler la machine dans des situations inattendues.
- **Habillez-vous correctement. Ne portez pas de vêtements amples ni de bijoux. Gardez vos cheveux et vos vêtements éloignés des pièces en mouvement.** Les vêtements amples, les bijoux ou les cheveux longs peuvent être happés par les pièces mobiles.

- **Si des dispositifs sont fournis pour le raccordement d'installations d'extraction et de collecte des poussières, veillez à ce qu'ils soient raccordés et utilisés correctement.** L'utilisation d'un système de collecte des poussières peut réduire les risques liés à la poussière.
- **Ne laissez pas la familiarité acquise grâce à l'utilisation fréquente des machines vous inciter à faire preuve de négligence et à ignorer les principes de sécurité des machines.** Un geste imprudent peut entraîner des blessures graves en une fraction de seconde.

## Utilisation et entretien de la machine

- **Ne forcez pas la machine. Utilisez la machine adaptée à votre application.** Une machine appropriée effectuera le travail mieux et de manière plus sûre, à la vitesse pour laquelle elle a été conçue.
- **N'utilisez pas la machine si l'interrupteur ne permet pas de la mettre en marche ou de l'arrêter.** Toute machine qui ne peut être contrôlée par l'interrupteur est dangereuse et doit être réparée.
- **Débranchez la fiche de la source d'alimentation et/ou retirez la batterie, si elle est amovible, de la machine avant d'effectuer des réglages, de changer d'accessoires ou de ranger la machine.** Ces mesures de sécurité préventives réduisent le risque de démarrage accidentel de la machine.
- **Rangez la machine non utilisée hors de portée des enfants et ne laissez pas des personnes non familiarisées avec la machine ou avec ces instructions utiliser la machine.** Les machines sont dangereuses entre les mains d'utilisateurs non formés.
- **Entretenez les machines et les accessoires. Vérifiez que les pièces mobiles ne sont pas mal alignées ou coincées, que les pièces ne sont pas cassées et que rien n'affecte le fonctionnement de la machine.** Si la machine est endommagée, faites-la réparer avant de l'utiliser. De nombreux accidents sont causés par des machines mal entretenues.
- **Veillez à ce que la machine de coupe soient bien affûtée et propre.** Les machines de découpe correctement entretenues et dotées de tranchants bien affûtés risquent moins de se gripper et sont plus faciles à contrôler.
- **Utilisez la machine, les accessoires, les buses, etc. conformément à ces instructions, en tenant compte des conditions de travail et du travail à effectuer.** L'utilisation de la machine pour des opérations différentes de celles prévues pourrait entraîner une situation dangereuse.

- **Gardez les poignées et les surfaces de préhension sèches, propres et exemptes d'huile et de graisse.** Les poignées et surfaces de préhension glissantes ne permettent pas une manipulation et un contrôle sûrs de la machine dans des situations inattendues.

## Utilisation et entretien de la machine à batterie

- **Rechargez uniquement avec le chargeur spécifié par le fabricant.** Un chargeur adapté à un type de batterie peut créer un risque d'incendie lorsqu'il est utilisé avec un autre type de batterie.
- **Utilisez la machine uniquement avec le(s) batterie(s) spécifiquement désignée(s).** L'utilisation de tout autre batterie peut entraîner un risque de blessure et d'incendie.

| BATTERIE  | CHARGEUR   |
|---|--|
| BA1400, BA1400-FC, BA2800, BA2800-FC, BA4200, BA4200-FC, BA1400T, BA1400T-FC, BA2242T, BA2242T-FC, BA2800T, BA2800T-FC, BA3360T, BA3360T-FC, BA4200T, BA4200T-FC, BA4480T, BA4480T-FC, BA5600T, BA5600T-FC, BA6720T, BA6720T-FC | CH2100, CH2100-FC, CH3200, CH3200-FC, CH5500, CH5500-FC, CH2800D, CH2800D-FC, CH7000, CH7000-FC, CH7000T, CH7000T-FC |

- **Lorsqu'une batterie n'est pas utilisée, éloignez-la de tout autre objet métallique, comme les trombones, les pièces de monnaie, les clés, les clous, les vis ou d'autres petits objets métalliques, susceptibles d'établir une connexion d'une borne à une autre.** La mise en court-circuit des bornes de la batterie peut provoquer des brûlures ou un incendie.
- **Dans des conditions abusives, du liquide peut être éjecté de la batterie ; évitez tout contact. En cas de contact accidentel, rincez à l'eau. Si le liquide entre en contact avec les yeux, consultez immédiatement un médecin.** Le liquide éjecté de la batterie peut provoquer des irritations ou des brûlures.
- **N'utilisez pas une batterie ou un appareil endommagé ou modifié.** Les batteries endommagées ou modifiées peuvent présenter un comportement imprévisible pouvant entraîner un incendie, une explosion ou un risque de blessure.
- **N'exposez pas la batterie ou la machine à un feu ou à une température excessive.** L'exposition au feu ou à une température supérieure à 130 °C (265 °F) peut provoquer une explosion.

- **Suivez toutes les instructions de charge et ne chargez pas la batterie ou la machine en dehors de la plage de température spécifiée dans les instructions.** Une charge incorrecte ou à des températures en dehors de la plage spécifiée peut endommager la batterie et augmenter le risque d'incendie.

## Service

- **Confiez l'entretien de votre machine à un réparateur qualifié qui n'utilisera que des pièces de rechange identiques. Cela permettra de garantir la sécurité de la machine.**
- **Ne réparez jamais des batteries endommagées.** L'entretien des batteries ne doit être effectué que par le fabricant ou des prestataires de services agréés.

# AVERTISSEMENTS DE SÉCURITÉ CONCERNANT LE SOUFFLEUR

- **N'utilisez pas la machine par mauvais temps, en particulier lorsqu'il y a un risque de foudre.** Évitez tout risque d'être frappé(e) par la foudre.
- **Portez des lunettes de protection et des protections auditives.** Un équipement de protection adéquat réduira le risque de blessures.
- **Lors de l'utilisation de la machine, portez toujours des chaussures antidérapantes et protectrices.** N'utilisez pas la machine lorsque vous êtes pieds nus ou que vous portez des sandales ouvertes. Cela réduit le risque de blessures aux pieds.
- **Ne portez pas de vêtements amples ou d'articles tels que des écharpes, des ficelles, des chaînes, des cravates, etc. qui pourraient être aspirés dans les entrées d'air. Attachez les cheveux longs ou couvrez-les pour éviter qu'ils ne soient aspirés par les entrées d'air.** Si l'un de ces éléments est aspiré dans les entrées d'air, cela peut augmenter le risque de blessures.
- **Gardez les passants éloignés pendant l'utilisation de la machine.** Les débris projetés peuvent augmenter le risque de blessures.
- **Ne dirigez jamais la buse du souffleur en direction de personnes ou d'animaux domestiques, ni en direction des fenêtres. Soyez particulièrement prudent(e) lorsque vous soufflez des débris à proximité d'objets solides, tels que des arbres, des automobiles et des murs qui peuvent faire ricocher les débris.** Les objets projetés peuvent endommager les biens et augmenter le risque de blessures.
- **N'utilisez pas l'appareil pour souffler des objets brûlants ou fumants, tels que des cigarettes, des allumettes ou des cendres chaudes.** Ces sources d'inflammation peuvent augmenter le risque d'incendie.

- **Ne touchez pas le ventilateur lorsqu'il est en mouvement. Éteignez la machine et attendez que le ventilateur s'arrête avant de retirer toute pièce pouvant donner accès au ventilateur.** Vous réduirez ainsi le risque de blessures causées par des pièces en mouvement.
- **Lorsque vous éliminez un bourrage ou que vous procédez à l'entretien de la machine, assurez-vous que l'interrupteur d'alimentation est éteint.** Un démarrage inopiné de la machine lors de l'élimination d'un bourrage ou d'une opération d'entretien peut entraîner des blessures graves.

## PILE EN FORME DE PIÈCE DE MONNAIE

- Le produit contient des piles non remplaçables.
- Retirez et recyclez ou jetez immédiatement les piles usagées conformément aux règlements locaux, et gardez-les hors de portée des enfants. Ne jetez PAS les piles dans les ordures ménagères et ne les incinérerez PAS.
- Les piles, même usagées, peuvent provoquer des blessures graves, voire mortelles.
- Appelez un centre antipoison local pour obtenir des informations sur le traitement.
- Le type de pile en forme de pièce de monnaie : ICB1250 E6
- Tension nominale de la pile en forme de pièce de monnaie : 3,85 V
- Les piles non rechargeables ne doivent pas être rechargées.
- Ne déchargez pas, ne rechargez pas ou ne démontez pas en forçant, ne chauffez pas au-delà de la température nominale spécifiée par le fabricant et n'incinérerez pas. Vous risqueriez de vous blesser en cas de ventilation, de fuite ou d'explosion entraînant des brûlures chimiques.

### **AVERTISSEMENT**

- **RISQUE D'INGESTION** : Ce produit contient une pile bouton ou une pile en forme de pièce de monnaie.
- L'ingestion de ce produit peut entraîner la **MORT** ou des blessures graves.
- Si elle est avalée, une pile bouton ou une pile en forme de pièce de monnaie peut provoquer des **brûlures chimiques internes** en seulement **deux heures**.
- **TENEZ** les piles neuves et usagées **HORS DE PORTÉE DES ENFANTS**
- **Consultez immédiatement un médecin** si vous soupçonnez qu'une pile a été avalée ou insérée à l'intérieur d'une partie quelconque du corps.



## DÉCLARATION RELATIVE À LA FCC

1. Cet appareil est conforme à la Partie 15 des Règlements de la FCC. Son utilisation est autorisée moyennant le respect des deux conditions suivantes :
  - 1) Ce dispositif ne doit pas causer d'interférences préjudiciables.
  - 2) Ce dispositif doit accepter toute interférence reçue, y compris les interférences qui risquent de causer un fonctionnement indésirable de l'équipement.
2. Toute modification ou altération de ce dispositif n'ayant pas été approuvée expressément par la partie responsable de la conformité pourrait annuler le droit de l'utilisateur de se servir de cet équipement.

**AVIS :** Ce luminaire a été testé et jugé conforme aux limites pour un équipement numérique de Classe B en vertu de la Partie 15 des Règlements de la FCC. Ces limites sont conçues pour assurer une protection raisonnable contre les interférences nuisibles dans une installation résidentielle. Cet équipement émet, utilise et peut rayonner de l'énergie de fréquence radio et, s'il n'est pas installé et utilisé conformément aux instructions, il pourrait causer des interférences nuisibles aux communications radio. Cependant, il n'existe aucune garantie qu'aucune interférence ne se produira dans une installation particulière. Si cet équipement cause des interférences nuisibles pour la réception de programmes à la radio ou à la télévision, ce qui peut être déterminé en allumant et en éteignant à plusieurs reprises l'équipement en question, l'utilisateur est encouragé à corriger l'interférence en prenant une ou plusieurs des mesures suivantes : Réorienter ou déplacer l'antenne de réception. Augmentez la distance entre l'équipement et le récepteur. Connecter l'équipement à une prise de courant raccordée à un circuit différent de celui auquel le récepteur est connecté. Consulter le détaillant ou un technicien radio ou télévision expérimenté pour lui demander conseil.

**CONSERVEZ CES INSTRUCTIONS !** Consultez-les fréquemment et utilisez-les pour donner les instructions nécessaires à d'autres personnes qui peuvent utiliser ce produit. Si vous prêtez ce produit à quelqu'un d'autre, donnez également à cette personne ces instructions pour éviter toute utilisation abusive du produit et tout risque de blessure.

## INTRODUCTION

Félicitations pour votre choix de la souffleuse transportable dans un sac à dos à piles au lithium-ion EGO COMMERCIAL de 56 V. Elle a été conçue, développée et fabriquée pour vous donner le plus possible de fiabilité et de rendement.

Si vous rencontrez un problème auquel vous ne pouvez pas remédier facilement, veuillez contacter le centre de service à la clientèle EGO au 1-855-EGO-5656.


Ce mode d'emploi contient des informations importantes sur assemblage, l'utilisation et l'entretien de votre produit en toute sécurité. Lisez-le attentivement avant d'utiliser le produit. Conservez ce mode d'emploi à portée de main afin de pouvoir vous y référer à tout moment.

NUMÉRO DE SÉRIE \_\_\_\_\_ DATE D'ACHAT \_\_\_\_\_

NOUS VOUS RECOMMANDONS DE NOTER LE NUMÉRO DE SÉRIE ET LA DATE D'ACHAT ET DE LES CONSERVER EN LIEU SÛR AFIN DE POUVOIR LES CONSULTER ULTÉRIEUREMENT.



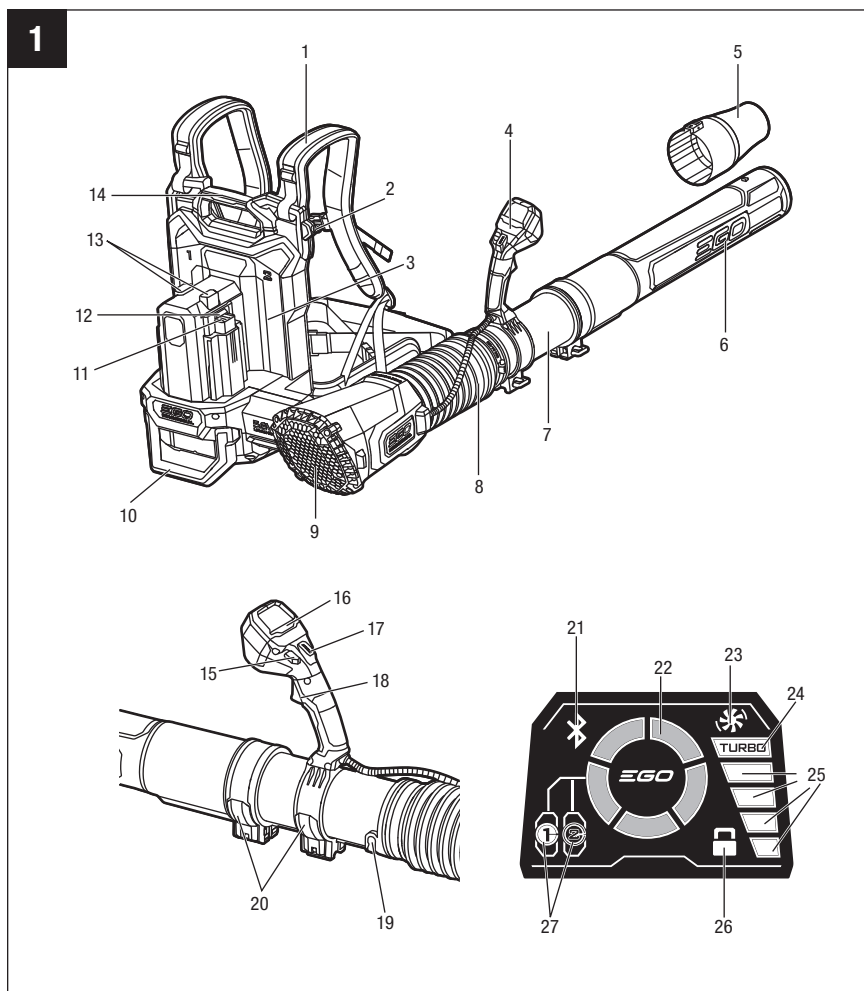
# SPÉCIFICATIONS

|   |  |                          |
|---|--|--------------------------|
| Tension   | 56 V  |                          |
| Volume d'air maximum                                    | 800 pi <sup>3</sup> /min   |                          |
| Vitesse maximum de l'air                                | 190 MPH  |                          |
| Force de soufflage maximum                              | 26 N   |                          |
| Autonomie de fonctionnement approximative               | Avec pile EGO de 56 V 2 x 6,0 Ah   | 24 min. (Turbo)          |
|   |  | 32 min. (Haute vitesse)  |
|   |  | 120 min. (Basse vitesse) |
|   | Avec pile EGO de 56 V 2 x 12 Ah  | 30 min. (Turbo)          |
|   |  | 40 min. (Haute vitesse)  |
|   |  | 150 min. (Basse vitesse) |
|   | With two 10 Ah Battery Packs   | 40 min. (Turbo)          |
|   |  | 52 min. (Haute vitesse)  |
|   |  | 200 min. (Basse vitesse) |
|   | With two 12 Ah Battery Packs   | 48 min. (Turbo)          |
|   |  | 63 min. (Haute vitesse)  |
|   |  | 240 min. (Basse vitesse) |
| Température de fonctionnement recommandée               | -15°C - 40°C / 5°F - 104°F   |                          |
| Température de stockage recommandée                     | -20°C - 70°C / -4°F - 158°F  |                          |
| Poids de la tondeuse (sans le bloc-piles, avec le tube) | 7.7 kg / 17 lb   |                          |
| Indice de protection                                    | IPX5* (protection contre les jets d'eau)   |                          |

\* **REMARQUE** : L'indice IPX5 est basé sur l'utilisation conjointe de la machine et du bloc-piles en tant que système.

# DESCRIPTION

FAMILIARISEZ-VOUS AVEC VOTRE SOUFFLEUSE (Fig. 1)



- |    |  |    |  |
|----|--|----|--|
| 1  | Harnais de support réglable                  | 15 | Bouton de verrouillage de la vitesse                           |
| 2  | Bouton de rangement du tube de la souffleuse | 16 | Écran ACL  |
| 3  | Plaque de sac à dos                          | 17 | Bouton Turbo   |
| 4  | Poignée de commande                          | 18 | Interrupteur à gâchette pour le réglage de la vitesse de l'air |
| 5  | Buse conique                                 | 19 | Rainure de suspension du tube                                  |
| 6  | Tube de la souffleuse                        | 20 | Levier à relâchement rapide                                    |
| 7  | Tube de la poignée de commande               | 21 | Indicateur Bluetooth   |
| 8  | Soufflets                                    | 22 | Indicateur d'état de charge                                    |
| 9  | Admission d'air                              | 23 | Icône de ventilateur   |
| 10 | Poignée d'assistance                         | 24 | Indicateur de mode Turbo                                       |
| 11 | Contactés électriques                        | 25 | Indicateur de vitesse de l'air                                 |
| 12 | Loquet de verrouillage                       | 26 | Icône de verrouillage de la vitesse                            |
| 13 | Boutons d'éjection des bloc-piles            | 27 | Icône de pile  |
| 14 | Poignée                                      |    |  |

**⚠ AVERTISSEMENT :** Pour que ce produit puisse être utilisé en toute sécurité, il est nécessaire de comprendre les informations figurant sur le produit et dans son mode d'emploi, et de bien maîtriser le projet que vous voulez réaliser. Avant d'utiliser ce produit, familiarisez-vous avec toutes ses fonctionnalités et les consignes de sécurité qui s'y appliquent.

## **Interrupteur à gâchette pour le réglage de la vitesse de l'air**

Démarre/arrête la souffleuse et ajuste la vitesse de l'air.

## **Bouton de verrouillage de la vitesse**

Permet à l'utilisateur de faire fonctionner la souffleuse sans appuyer en permanence sur l'interrupteur à gâchette pour le réglage de la vitesse de l'air.

## **Bouton Turbo**

Augmente temporairement la vitesse de l'air au maximum, quel que soit le réglage de la vitesse.

## **Bouton d'éjection du bloc-piles**

Détache le bloc-piles de la souffleuse.

### **Loquet de verrouillage**

Verrouille le bloc-piles quand il est installé sur la souffleuse.

### **Buse conique**

Concentre davantage le flux d'air et augmente la vitesse de l'air.

### **Harnais de support réglable**

Réduit la fatigue de l'utilisateur en répartissant le poids uniformément sur les épaules et le dos.

### **Bouton de rangement du tube de la souffleuse et rainure de suspension du tube**

Prévoyez un stockage sûr du tube de la souffleuse lorsque celle-ci n'est pas utilisée.

### **Indicateur d'état de charge**

Indique la capacité de charge moyenne des blocs-piles insérés.

### **Icône de pile**

S'allume lorsque les blocs-piles sont insérés dans les orifices d'insertion des piles correspondants et la souffleuse est mise en marche.



**TURBO**

S'allume et reste allumée aussi longtemps que le bouton de mode Turbo est enfoncé pendant le fonctionnement.



S'allume lorsque la soufflante est en marche et le bouton de verrouillage de la vitesse est enfoncé brièvement.

### **PEAK POWER™**

Cette technologie combine la puissance de deux piles EGO ARC Lithium™ de 56 V au maximum pour assurer une autonomie de fonctionnement plus longue et une consommation d'énergie efficace.

## ASSEMBLAGE

**⚠ AVERTISSEMENT :** Si certaines pièces sont endommagées ou manquantes, n'utilisez pas ce produit avant que ces pièces aient été remplacées. L'utilisation de ce produit avec des pièces endommagées ou manquantes pourrait causer des blessures graves.

**⚠ AVERTISSEMENT :** Ne tentez pas de modifier ce produit ou de créer des accessoires qu'il n'est pas recommandé d'utiliser avec cette souffleuse. Une telle altération ou modification constituerait une utilisation abusive et pourrait créer une situation dangereuse avec risque de blessures graves.

## DÉBALLAGE

- Retirez le produit et tous les accessoires de la boîte en prenant les précautions nécessaires. Assurez-vous que tous les articles indiqués sur la liste des pièces sont inclus.

**⚠ AVERTISSEMENT :** N'utilisez pas ce produit si de quelconques pièces figurant sur la liste des pièces sont déjà montées sur votre produit lorsque vous le sortez de son emballage. Les pièces figurant sur cette liste ne sont pas montées sur le produit par le fabricant. Elles nécessitent une installation par le client. L'utilisation d'un produit pouvant avoir été assemblé de façon incorrecte pourrait causer des blessures graves.

- Inspectez attentivement le produit pour vous assurer qu'aucun dommage ou bris de pièce(s) ne s'est produit pendant le transport.
- Ne jetez pas les matériaux d'emballage avant d'avoir inspecté attentivement l'outil et de l'avoir mis en marche de façon satisfaisante.
- Si une pièce quelconque est endommagée ou manquante, veuillez rapporter le produit dans le magasin où vous l'avez acheté.

## LISTE DES PIÈCES

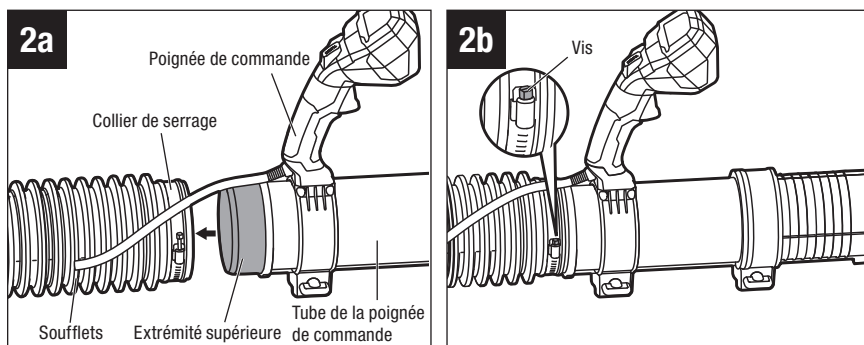
| NOM DE LA PIÈCE       | QUANTITÉ |
|-----------------------|----------|
| Souffleuse            | 1        |
| Tube de la souffleuse | 1        |
| Buse conique          | 1        |
| Mode d'emploi         | 1        |

## ASSEMBLAGE DES TUBES DE LA SOUFFLEUSE

**⚠ AVERTISSEMENT :** Pour empêcher tout démarrage accidentel qui pourrait causer une blessure grave, retirez toujours le(s) bloc-piles de la souffeuse lorsque vous effectuez le montage de pièces.

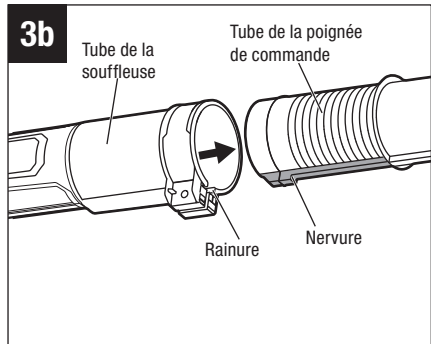
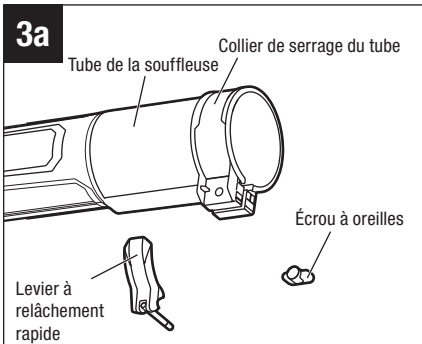
### Raccordement du tube de la poignée de commande aux soufflets

1. Insérez l'extrémité supérieure du tube de la poignée de commande dans le soufflet jusqu'à la butée (Fig 2a).
2. A l'aide d'un tournevis plat (non fourni), serrez fermement la vis du collier de serrage fixé sur le soufflet (Fig 2b).

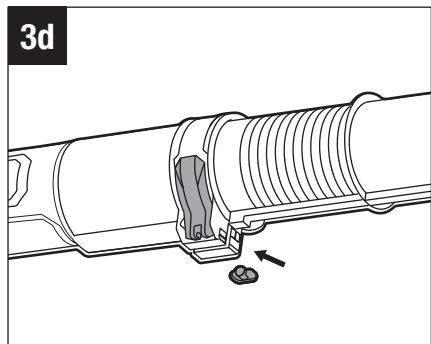
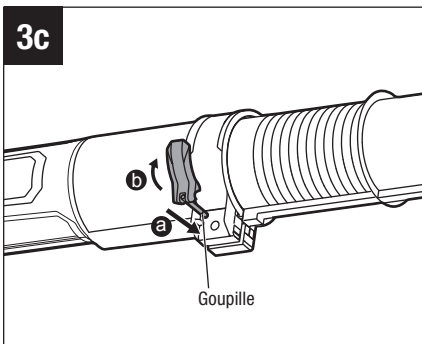


## Raccordement du tube de la souffleuse au tube de la poignée de commande

1. Desserrez et retirez le levier à relâchement rapide et l'écrou à oreilles de l'ensemble de fixation du tube qui est attaché au tube de la souffleuse (Fig. 3a).
2. Alignez la rainure du tube de la souffleuse avec la nervure sur le tube de la poignée de commande, et faites glisser le tube de la souffleuse sur le tube de la poignée de commande jusqu'à la butée (Fig. 3b).

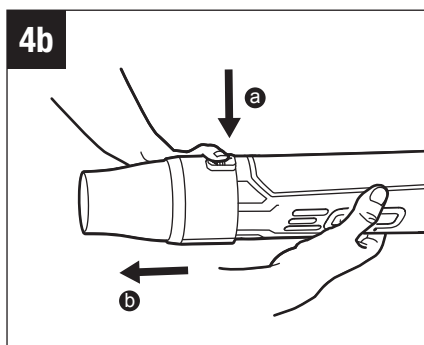
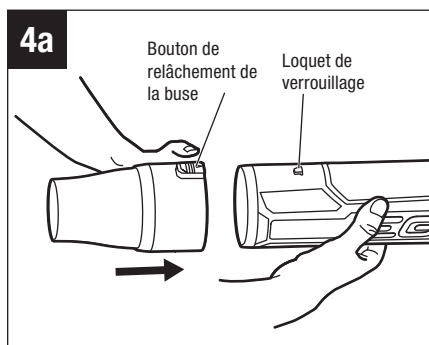


3. Insérez la goupille du levier à relâchement rapide et fermez le levier sur le collier de serrage du tube (Fig. 3c).
4. Serrez l'écrou à oreilles pour fixer le collier de serrage du tube (Fig. 3d).



## Raccordement de la buse conique au tube de la souffleuse

1. Aligned la rainure dans la buse sur le loquet de verrouillage du tube. Poussez la buse par dessus le tube jusqu'à ce qu'elle s'enclenche bien en place (Fig. 4a).
2. Pour retirer la buse, appuyez sur le bouton de relâchement de la buse et maintenez-le enfoncé pour désengager le loquet de verrouillage, puis tirez sur la buse tout droit pour la détacher du tube de la souffleuse (Fig. 4b).





## FONCTIONNEMENT

**⚠ AVERTISSEMENT :** Ne laissez pas l'habitude de l'utilisation de ce produit vous empêcher de prendre toutes les précautions requises. N'oubliez jamais qu'une fraction de seconde d'inattention suffit pour entraîner de graves blessures.

**⚠ AVERTISSEMENT :** Portez toujours des lunettes de sécurité avec des écrans latéraux marqués comme étant conformes à la norme ANSI Z87.1, ainsi que des protège-oreilles. Si vous ne portez pas un tel dispositif de protection, vous pourriez subir des blessures graves, y compris en conséquence de la projection d'objets dans vos yeux.

**⚠ AVERTISSEMENT :** N'utilisez pas d'attachements ou d'accessoires qui ne sont pas recommandés par le fabricant de ce produit. L'utilisation d'attachements ou d'accessoires qui ne sont pas recommandés peut causer des blessures graves.

Avant chaque utilisation, inspectez périodiquement l'intégralité du produit pour vous assurer qu'il n'y a pas de pièces endommagées, manquantes ou desserrées comme des vis, des écrous, des boulons, des capuchons, etc. Serrez à fond tous les dispositifs de fixation et capuchons, et ne vous servez pas de ce produit avant que toutes les pièces manquantes ou endommagées aient été remplacées.

## APPLICATION

Vous pouvez utiliser ce produit pour faire ce qui suit :

- Enlever les feuilles et les débris divers des pelouses et des pailles
- Nettoyer des surfaces dures, telles que les allées conçues pour le stationnement des véhicules et les trottoirs
- Dégager les feuilles et aiguilles de pin se trouvant sur les terrasses et les allées conçues pour le stationnement des véhicules

## INSTALLATION / RETRAIT DES BLOCS-PILES

**REMARQUE :** Chargez complètement le bloc-piles avant de vous en servir pour la première fois.

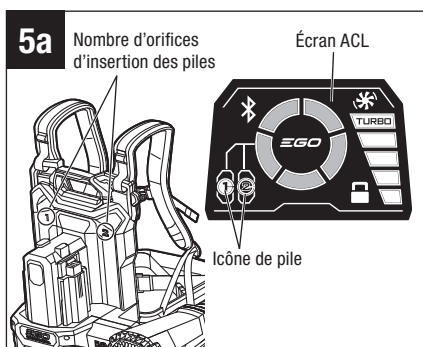
**REMARQUE :** Pour obtenir une performance optimale, nous recommandons l'utilisation du bloc-piles EGO BA3360T/BA3360T-FC de 56 V (6,0 Ah) ou d'autres blocs-piles EGO de 56 V de capacité Ah supérieure.

**⚠ AVERTISSEMENT :** Retirez toujours le(s) bloc-piles de ce produit lorsque vous assemblez des pièces, effectuez des réglages, faites un nettoyage ou n'utilisez pas le produit. Le retrait du bloc-piles ou des blocs-piles empêchera une mise en marche accidentelle qui risquerait de causer des blessures graves.

La souffleuse possède deux orifices d'insertion de piles actifs, qui sont situés sur les côtés gauche et droit du boîtier des piles.

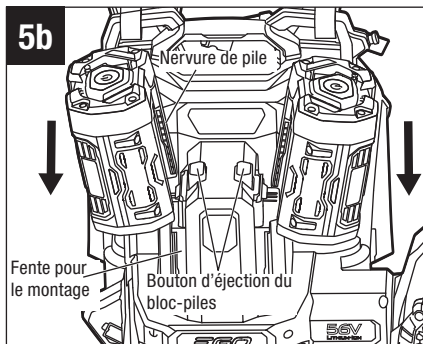
**REMARQUE :** La souffleuse peut fonctionner avec une ou deux piles. L'utilisation de deux piles vous permet de bénéficier d'une plus grande autonomie et d'un prélèvement d'énergie efficace géré par la technologie PEAK POWER™.

Lorsque les blocs-piles sont insérés dans les orifices correspondants marqués 1 ou 2 sur la plaque du sac à dos, et lorsque la souffleuse est mise sous tension, l'icône de pile correspondante s'allume sur l'écran ACL (Fig. 5a).



## Installation des bloc-piles (Fig. 5b)

1. Alignez les nervures du bloc-piles sur les fentes de montage de l'orifice d'insertion des piles de la souffleuse.
2. Appuyez sur le bloc-piles pour l'enfoncer jusqu'à ce qu'il se mette dans la position correcte (vous entendrez un déclic).
3. Recommencez cette procédure pour installer le deuxième bloc-piles.



## Retrait des blocs-piles

**⚠ AVERTISSEMENT :** Contrôlez toujours la position de vos pieds et les endroits où se trouvent les enfants et les animaux domestiques avant d'appuyer sur le bouton d'éjection des piles. La chute du bloc-piles pourrait causer des blessures graves. Ne retirez JAMAIS le bloc-piles lorsque vous vous trouvez à un endroit surélevé.

1. Appuyez sur les boutons d'éjection des piles ; les blocs-piles se désengageront du loquet de verrouillage, et le mécanisme d'éjection aidera à les retirer.
2. Retirez les blocs-piles de la souffleuse.

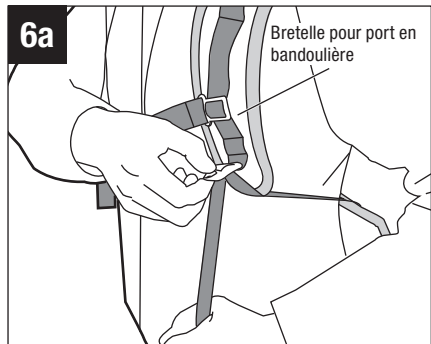
## POSITIONNEMENT DE LA SOUFFLEUSE TRANSPORTABLE DANS UN SAC À DOS

**⚠ AVERTISSEMENT :** Habillez-vous de façon appropriée pour réduire le risque de blessure lorsque vous utilisez cette machine. Ne portez pas de bijoux ou de vêtements amples. Portez des lunettes de sécurité et, des protège-oreilles ou un autre équipement de protection de l'ouïe. Portez des pantalons longs robustes, des bottes et des gants. Ne portez pas de shorts ou de sandales, et n'utilisez pas cet outil en étant pieds nus.

Avant d'utiliser la souffleuse transportable dans un sac à dos, assurez-vous que l'opérateur porte une protection des yeux et des vêtements appropriés, et qu'il se tient de façon stable et équilibrée sur ses pieds.

### Réglage du harnais de soutien

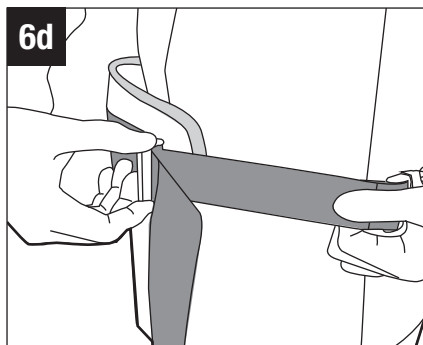
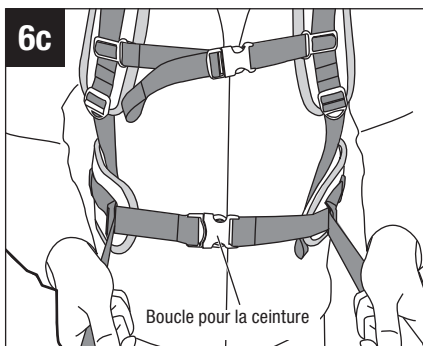
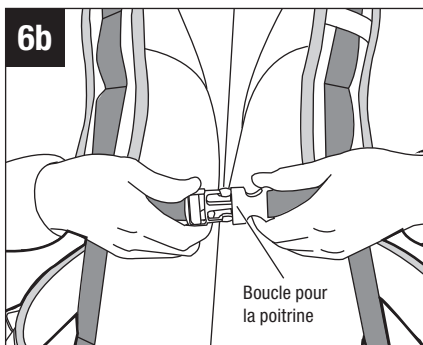
1. Passez vos bras dans les sangles du sac à dos pour soutenir la souffleuse sur votre dos.
2. Ajustez temporairement les deux sangles des bretelles pour les mettre dans des positions confortables (Fig. 6a), en veillant à ce que votre coude soit confortable.



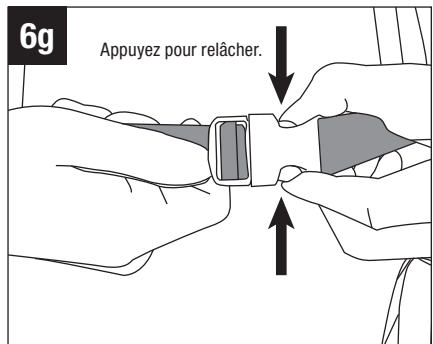
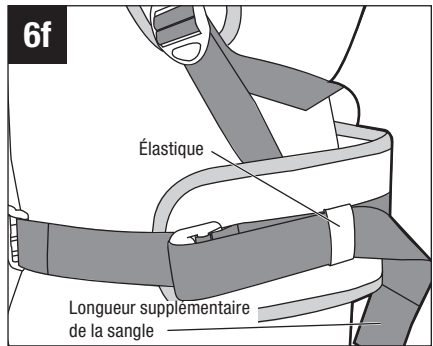
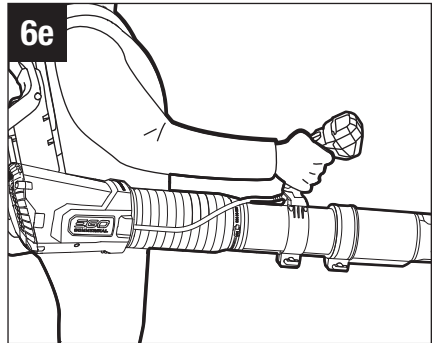
3. Enclenchez la boucle pour la poitrine et ajustez la longueur de la sangle prévue pour positionnement sur la poitrine si nécessaire (Fig. 6b).
4. Enclenchez la boucle pour la ceinture et réglez la longueur de la sangle de ceinture de manière à ce que le sac à dos soit bien soutenu par vos hanches (Fig. 6c et 6d).

**AVIS :** Le sac à dos ne doit pas reposer trop haut sur votre dos ; il doit être positionné plus près de vos hanches que de vos épaules.

**⚠ AVERTISSEMENT :** En cas d'urgence, ouvrez immédiatement les boucles pour la poitrine et pour la ceinture afin de retirer la sangle du sac à dos de chaque côté. C'est une méthode rapide de retrait du sac à dos.

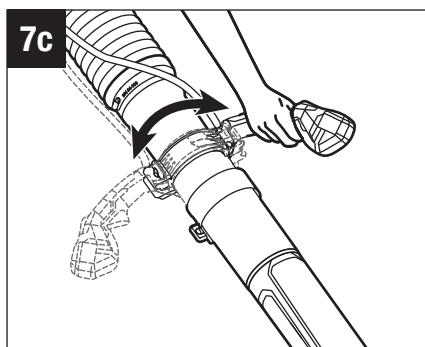
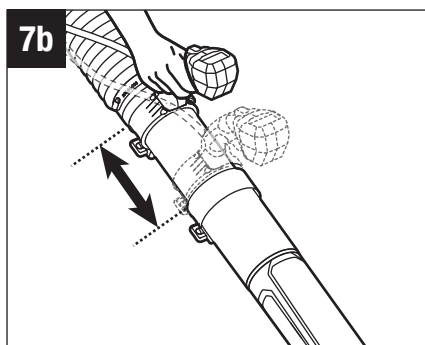
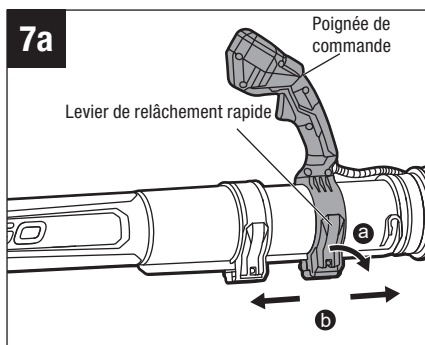


5. Réajustez les bretelles pour le port en bandoulière afin d'assurer le maximum de sécurité et de confort. Assurez-vous que le sac à dos repose sur votre dos de façon sécurisée, avec le poids supporté par la sangle pour la ceinture, et sans mouvement excessif lorsque vous bougez (Fig. 6e).
6. Insérez toute longueur excédentaire de la sangle pour la ceinture dans l'élastique des deux côtés (Fig. 6f).
7. Pour détacher le sac à dos de votre dos, il suffit d'appuyer sur les boucles de la taille et de la poitrine pour les débloquer et pour abaisser la souffleuse (Fig. 6g).



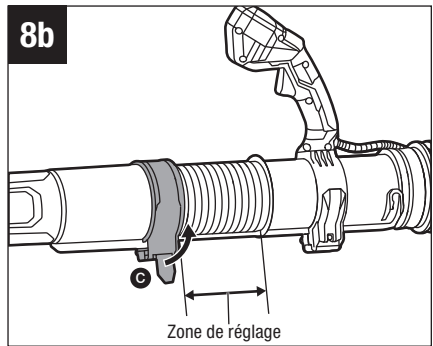
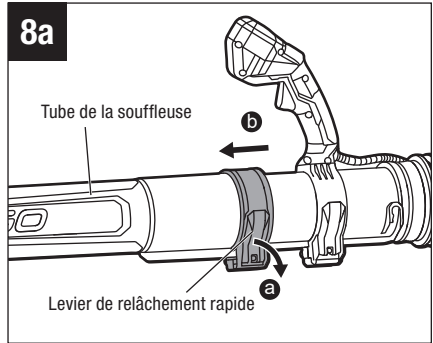
## Réglage de la poignée de commande

1. Relâchez le levier de relâchement rapide pour déplacer la poignée de commande vers l'avant ou l'arrière selon les besoins (Fig. 7a et 7b), puis engagez le levier de relâchement rapide pour fixer la poignée de commande en place.
2. Vous pouvez également faire tourner la poignée selon vos besoins pour plus de confort (Fig. 7c).



**Pour régler la longueur du tube de la poignée de commande (Fig. 8a, 8b)**

1. Relâchez le levier de relâchement rapide.
2. Déplacez le tube de la souffleuse jusqu'à une position de fonctionnement confortable à l'intérieur de la zone de réglage (Fig. 8a).
3. Engagez le levier de relâchement rapide afin de sécuriser le tube de la souffleuse en position (Fig. 8b).



## DÉMARRAGE/ARRÊT DE LA SOUFFLEUSE

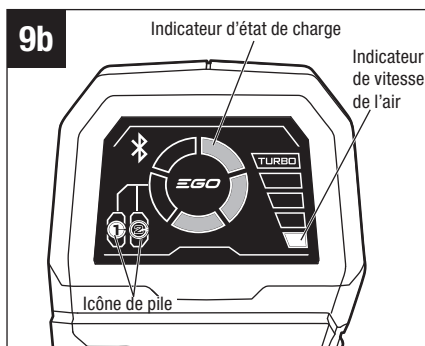
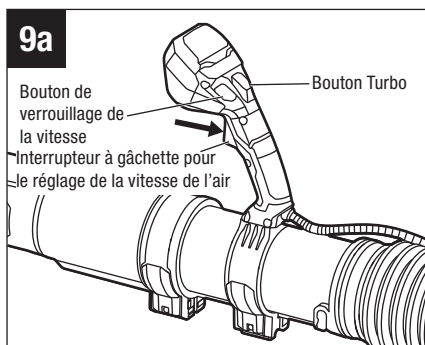
**REMARQUE:** le souffleur peut ne pas démarrer correctement si la température de la batterie ou du souffleur est de  $-4\text{ }^{\circ}\text{F}$  ( $-15\text{ }^{\circ}\text{C}$ ) ou moins. Dans ce cas, retirez la batterie du souffleur, laissez la batterie et le souffleur se réchauffer à l'intérieur pendant 10 minutes ou plus. Réinstallez la batterie et réessayez.

### Interrupteur à gâchette pour le réglage de la vitesse de l'air (Fig. 9a, 9b)

- Appuyez sur la gâchette de réglage de la vitesse de l'air pour mettre en marche la souffleuse. L'écran ACL affichera alors la jauge de carburant, l'icône de pile et l'indicateur de vitesse de l'air.

**REMARQUE:** 1 LED de la jauge de carburant sur l'écran LCD clignote lorsque la charge de la batterie est faible.

- La vitesse de l'air de la souffleuse est contrôlée par la gâchette de réglage de la vitesse de l'air. Une pression plus forte sur la gâchette produit une vitesse de soufflage plus élevée ; une pression réduite sur la gâchette produit une vitesse de soufflage plus basse. Réglez la vitesse en fonction de la tâche à accomplir. L'indicateur de vitesse de l'air correspondant s'affiche sur l'écran ACL.
- Le relâchement de la gâchette de réglage de la vitesse de l'air permet d'arrêter la souffleuse. L'écran LCD s'éteint après un certain temps après avoir relâché la gâchette.

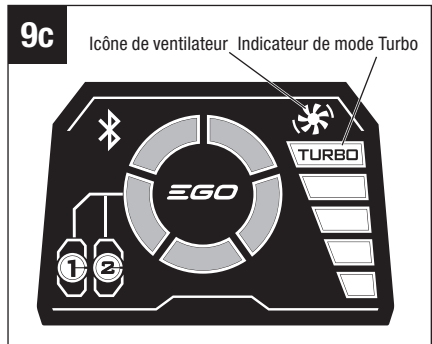




## Mode Turbo

Pendant que l'interrupteur à gâchette pour le réglage de la vitesse de l'air est enfoncé et maintenu enfoncé, appuyez sur le bouton Turbo pour augmenter le débit d'air à la vitesse maximale (Fig. 9a). L'indicateur de mode Turbo et l'icône du ventilateur s'allumeront alors sur l'écran ACL (Fig. 9c).

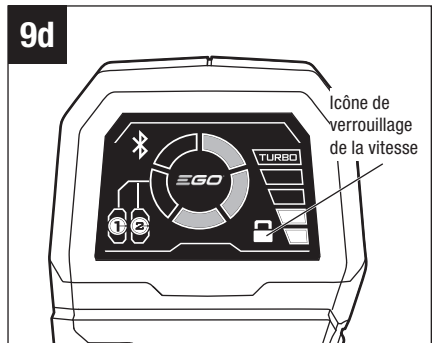
**REMARQUE :** La souffleuse revient à la vitesse précédente lorsque le bouton Turbo est relâché.



## Mode de verrouillage de la vitesse

Le verrouillage de la vitesse peut être utilisé pour faire fonctionner la souffleuse sans appuyer en permanence sur l'interrupteur à gâchette pour le réglage de la vitesse de l'air.

1. Appuyez sur l'interrupteur à gâchette pour le réglage de la vitesse de l'air jusqu'à ce que vous atteigniez la vitesse souhaitée (Fig. 9a).
2. Appuyez sur le bouton de verrouillage de la vitesse. L'icône de verrouillage de la vitesse s'allumera alors sur l'écran ACL (Fig. 9d).
3. Ensuite, relâchez l'interrupteur à gâchette pour le réglage de la vitesse de l'air ; la souffleuse continuera à fonctionner.



**REMARQUE :** En mode de verrouillage de la vitesse, l'enfoncement du bouton turbo peut verrouiller la vitesse de l'air au niveau maximum. La souffleuse revient à la vitesse précédente lorsque le bouton turbo est enfoncé une fois de plus.

4. **Pour relâcher le verrouillage de la vitesse**, appuyez à nouveau sur le bouton de verrouillage de la vitesse. L'icône de verrouillage de la vitesse disparaîtra de l'écran ACL et la souffleuse s'éteindra.

## **TECHNOLOGIE SANS FIL BLUETOOTH®**

Les produits intégrant la technologie sans fil Bluetooth® peuvent se connecter à des appareils mobiles utilisant des applis EGO. Veuillez consulter le site [www.egopowerplus.com/commercial](http://www.egopowerplus.com/commercial) pour obtenir des instructions. Vous trouverez des conseils dans l'application EGO Connect sur la façon de connecter et d'utiliser la fonction Bluetooth®.

L'indicateur Bluetooth® s'allume lorsque la machine est connectée à votre appareil mobile.

## **CONSEILS POUR L'UTILISATION DE LA SOUFFLEUSE**

- Pour éviter de disperser les débris, soufflez autour des bords extérieurs d'un tas de débris. Ne soufflez jamais directement au centre d'un tas.
- Pour réduire les niveaux sonores, limitez le nombre d'équipements utilisés en même temps.
- Utilisez des râtaux et des balais pour détacher les débris avant de souffler. Dans des conditions poussiéreuses, humidifiez légèrement les surfaces si de l'eau est disponible.
- Faites attention aux enfants, aux animaux domestiques, aux fenêtres ouvertes ou aux voitures fraîchement lavées, et soufflez les débris en toute sécurité.
- Après avoir utilisé des souffleuses ou d'autres équipements, nettoyez-les ! Jetez les débris de façon appropriée.

## MAINTENANCE

**⚠ AVERTISSEMENT :** Lors de toute réparation, n'utilisez que des pièces de rechange identiques. L'utilisation de toutes autres pièces de rechange pourrait créer un danger ou endommager le produit. Pour assurer la sécurité et la fiabilité, toutes les réparations doivent être effectuées par un technicien de service qualifié.

**⚠ AVERTISSEMENT :** Pour éviter des blessures graves, retirez toujours le bloc-piles de la souffleuse lorsque vous la nettoyez ou quand vous effectuez des travaux de maintenance.

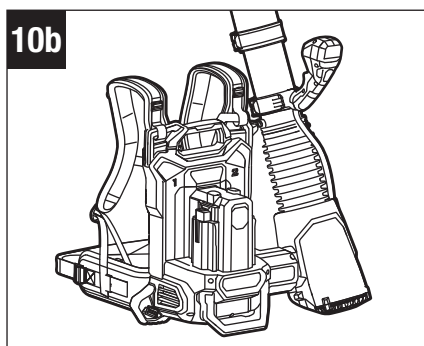
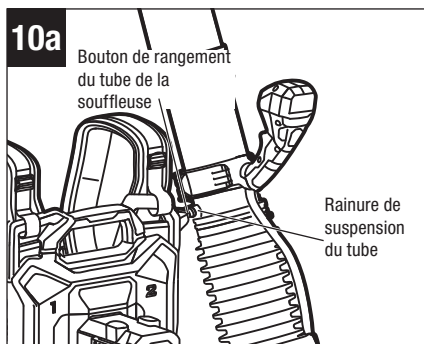
### MAINTENANCE GÉNÉRALE

Évitez d'utiliser des solvants lorsque vous nettoyez des pièces en plastique. La plupart des plastiques sont susceptibles d'être endommagés par divers types de solvants commerciaux, et ils pourraient l'être si vous les utilisez. Utilisez des chiffons propres pour retirer les saletés, la poussière, l'huile, la graisse, etc.

**⚠ AVERTISSEMENT :** Ne laissez jamais de liquide de frein, d'essence, de produits à base de pétrole, d'huiles pénétrantes, etc. entrer en contact avec des composants en plastique. Les produits chimiques peuvent endommager, affaiblir ou détruire le plastique, ce qui pourrait causer des blessures graves.

## RANGEMENT

- Retirez le(s) blocs-piles de la souffleuse.
- Nettoyez tous les corps étrangers des entrées d'air de la souffleuse.
- Alignez le bouton de rangement du tube de la souffleuse sur la rainure de suspension du tube et accrochez le tube de la souffleuse au boîtier de l'orifice d'insertion des piles (Fig. 10a et 10b).
- Rangez cet équipement à un endroit qui est hors de portée des enfants. Tenez cet équipement à distance des agents corrosifs tels que des produits chimiques de jardins et des sels pour faire fondre la glace.



# GUIDE DE DÉPANNAGE

| PROBLÈME  | CAUSE   | SOLUTION  |
|---|---|---|
| Le souffleur ne fonctionne pas.   | <ul style="list-style-type: none"> <li>■ La batterie n'est pas fixée au souffleur.</li> <li>■ Il n'y a pas de contact électrique entre le souffleur et la batterie.</li> <li>■ La charge de la batterie est épuisée.</li> <li>■ La batterie ou le souffleur est trop chaud.</li> <li>■ Gâchette de vitesse de l'air endommagée.</li> <li>■ La batterie ou le souffleur est trop froid.</li> </ul> | <ul style="list-style-type: none"> <li>■ Fixez la batterie au souffleur.</li> <li>■ Retirez le(s) batterie(s); vérifiez les contacts et réinstallez le(s) batterie(s).</li> <li>■ Chargez la batterie.</li> <li>■ Laissez refroidir la batterie et le souffleur jusqu'à ce que leur température soit inférieure à 152 °F (67 °C).</li> <li>■ Contactez le service clientèle EGO pour une réparation.</li> <li>■ Retirez la batterie, laissez la batterie et le souffleur se réchauffer à l'intérieur. Il est recommandé de charger complètement la batterie et de démarrer le souffleur à faible vitesse sans activer le mode Turbo.</li> </ul> |
| Le mode de verrouillage de la vitesse ne peut pas être activé ou désactivé. | <ul style="list-style-type: none"> <li>■ Bouton de verrouillage de la vitesse endommagé.</li> </ul>   | <ul style="list-style-type: none"> <li>■ Contactez le service clientèle EGO pour une réparation.</li> </ul>   |

| <b>PROBLÈME</b>  | <b>CAUSE</b>   | <b>SOLUTION</b>  |
|--|--|--|
| La vitesse de l'air est sensiblement réduite.                  | <ul style="list-style-type: none"><li>■ La charge de la batterie est épuisée.</li><li>■ Usure excessive du moto-ventilateur.</li><li>■ L'entrée d'air est obstruée par des débris.</li></ul> | <ul style="list-style-type: none"><li>■ Chargez la batterie.</li><li>■ Contactez le service clientèle EGO pour une réparation.</li><li>■ Retirer la batterie, éliminez les débris.</li></ul> |
| L'écran LCD ne fonctionne pas correctement.                    | <ul style="list-style-type: none"><li>■ L'écran LCD ou le câble de connexion est endommagé.</li></ul>  | <ul style="list-style-type: none"><li>■ Contactez le service clientèle EGO pour une réparation.</li></ul>  |
| 1 Le voyant de la jauge de carburant sur l'écran LCD clignote. | <ul style="list-style-type: none"><li>■ La charge de la batterie est épuisée.</li></ul>  | <ul style="list-style-type: none"><li>■ Chargez la batterie.</li></ul>   |

# GARANTIE LIMITÉE D'EGO

## CONDITIONS ET DURÉE DE LA POLITIQUE DE GARANTIE

Chervon North America, Inc. (« Chervon North America ») accorde la Garantie limitée suivante pour les produits EGO à l'acheteur initial de produits EGO.

La période de garantie détaillée de chaque produit EGO est indiquée en ligne à l'adresse <http://egopowerplus.com/warranty-policy>.

**Veillez contacter le Service à la clientèle d'EGO en téléphonant au 1-855-EGO-5656 (appel gratuit)** à tout moment en cas de questions, si vous voulez vous prévaloir de la garantie ou si vous souhaitez obtenir une version sur papier de la garantie.

## GARANTIE LIMITÉE DE SERVICE APRÈS-VENTE

Les produits EGO sont garantis contre tout défaut de matériel ou de fabrication à partir de la date d'achat au détail originale et pendant la période de garantie applicable. Pour toute demande de garantie soumise correctement et dans les délais, si Chervon North America détermine qu'un produit est défectueux pendant la période de garantie, le produit sera réparé ou remplacé gratuitement, selon ce qui aura été déterminé par Chervon North America.

## COMMENT OBTENIR DE L'ASSISTANCE DANS LE CADRE DU SERVICE APRÈS-VENTE

Pour obtenir de l'assistance dans le cadre de la garantie (pendant la période de garantie applicable), veuillez contacter le service à la clientèle d'EGO en téléphonant au **1-855-EGO-5656** (appel gratuit). Lorsque vous demandez de l'assistance dans le cadre de la garantie, vous devez présenter le reçu de vente original daté. Un centre de service après-vente agréé sera sélectionné pour évaluer et réparer le produit défectueux conformément aux conditions de garantie énoncées. Lorsque vous apportez votre produit au centre de service après-vente agréé, il se peut qu'une petite caution vous soit demandée lors du dépôt de votre outil. Cette caution est remboursable lorsque le service de réparation est considéré comme étant couvert par la garantie. Il incombe à l'acheteur d'effectuer le transport de tous les équipements électriques d'extérieur ou attachements à ses frais.

## LIMITATIONS ET EXCLUSIONS SUPPLÉMENTAIRES

Cette garantie limitée ne s'applique qu'à l'acheteur initial d'un produit à un revendeur agréé EGO, et elle ne peut pas être cédée. Les produits EGO ne sont pas considérés comme défectueux et la présente garantie ne s'applique pas lorsque le défaut invoqué est imputable à une cause autre que les défauts définis ci-dessus. Cette garantie est nulle et non avenue si le produit a été utilisé à des fins de location. La présente garantie ne s'applique pas aux dommages causés par un accident, un abus, une mauvaise utilisation, une altération, une modification, une réparation non autorisée, un contact avec un liquide, un incendie, un tremblement de terre ou toute autre cause externe ; par une utilisation du produit en dehors des instructions, spécifications ou directives d'EGO ; ou par un manquement à l'entretien ou à la maintenance convenable du produit. Cette garantie ne s'applique pas non plus aux dommages esthétiques, y compris, mais sans s'y limiter, les rayures ou les bosses, ainsi qu'aux défauts causés par l'usure normale ou autrement dus au vieillissement normal du produit.

CETTE GARANTIE EXPRESSE EST DONNÉE EN LIEU ET PLACE DE TOUTE AUTRE GARANTIE, EXPRESSE OU IMPLICITE, Y COMPRIS, MAIS SANS S'Y LIMITER, TOUTE GARANTIE DE QUALITÉ MARCHANDE OU D'ADÉQUATION À UN USAGE PARTICULIER, QUI EST REJETÉE. Toute garantie implicite, y compris la garantie de qualité marchande ou d'adéquation à un usage particulier qui ne peut être rejetée en vertu de la loi de l'État ou de la province est limitée à la période de garantie applicable définie au début de cet article. Le seul et unique recours en rapport avec l'achat, l'installation, l'utilisation et/ou la performance des produits EGO est la réparation ou le remplacement du produit selon la décision de Chervon North America. La responsabilité maximale de Chervon North America ne dépassera en aucun cas le prix d'achat payé pour le produit. CHERVON NORTH AMERICA NE SERA PAS RESPONSABLE ENVERS L'UTILISATEUR OU TOUTE AUTRE PERSONNE DES DOMMAGES CONSÉCUTIFS, ACCIDENTELS, SPÉCIAUX, EXEMPLAIRES, INDIRECTS OU PUNITIFS RÉSULTANT DE L'UTILISATION DES PRODUITS, Y COMPRIS, MAIS SANS S'Y LIMITER, LES PRÉJUDICES CORPORELS, LA MORT, LES DOMMAGES MATÉRIELS, LA PERTE DE BÉNÉFICES OU TOUT AUTRE DOMMAGE ÉCONOMIQUE. Cette garantie vous confère des garanties juridiques particulières, et vous pouvez aussi avoir d'autres droits, qui varient selon l'État ou la province. Étant donné que certains États et certaines provinces ne permettent pas de limitations quant à la durée d'une garantie implicite ou ne permettent pas l'exclusion ou la limitation des dommages indirects ou secondaires, ou le délai de prescription pour intenter certaines actions, il est possible que les limitations contenues aux présentes ne s'appliquent pas à consommateurs dans ces États ou provinces.



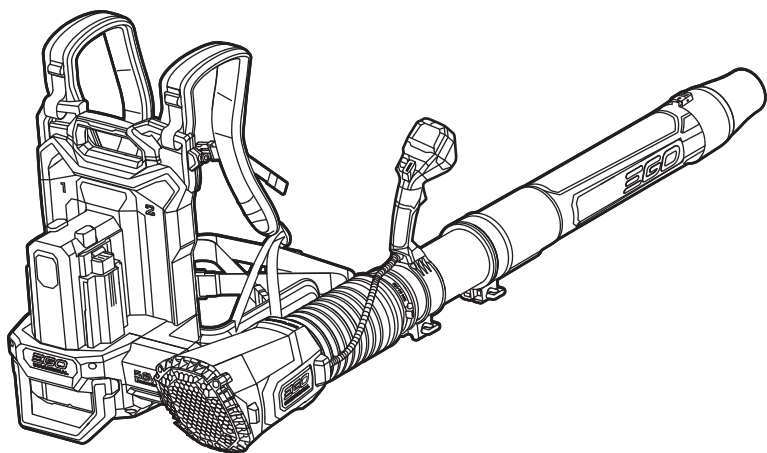


Cette garantie est soumise au droit du Michigan et doit être interprétée conformément au droit du Michigan sans tenir compte des principes de conflits de lois. Aucune action en justice ne pourra être intentée contre Chervon North America si elle n'est pas déposée dans un délai d'un (1) an après que le fondement de cette action en justice aura été connu, ou qu'il aurait dû l'être si une diligence raisonnable avait été exercée. Toute action non intentée dans les délais est réputée abandonnée.

Pour le service à la clientèle, contactez-nous en téléphonant au numéro suivant (appel gratuit) : **1-855-EGO-5656** ou **EGOPOWERPLUS.COM**.  
EGO Customer Service,  
769 Seward Ave. NW, Suite 102,  
Grand Rapids, Michigan 49504.

# EGO™

## COMMERCIAL



MANUAL DEL OPERADOR

# SOPLADOR TIPO MOCHILA COMERCIAL DE ION LITIO DE 56 V

MODELO NÚMERO LBPX8010/LBPX8010-FC

**⚠ ADVERTENCIA:** para reducir el riesgo de lesiones, el usuario debe leer y comprender el Manual del usuario antes de usar este producto. Guarde estas instrucciones para consultarlas en el futuro.

# ¡LEA TODAS LAS INSTRUCCIONES!



LEA Y ENTIENDA EL  
MANUAL DEL OPERADOR





## ÍNDICE

|   |         |
|---|---------|
| Símbolos de seguridad .....                             | 76      |
| Símbolos .....  | 77-78   |
| Advertencias generales de seguridad de la máquina ..... | 79-83   |
| Advertencias de seguridad del soplador .....            | 83-85   |
| Declaración de la FCC .....                             | 86      |
| Introducción .....                                      | 87      |
| Especificaciones .....                                  | 88      |
| Descripción .....                                       | 89-91   |
| Ensamblaje .....  | 92-95   |
| Utilización .....                                       | 96-105  |
| Mantenimiento .....                                     | 106-117 |
| Resolución de problemas .....                           | 108-109 |
| Garantía Limitada de EGO .....                          | 110-112 |

## SÍMBOLOS DE SEGURIDAD

El propósito de los símbolos de seguridad es alertarlo sobre posibles peligros. Los símbolos de seguridad y sus explicaciones merecen una atención y comprensión minuciosas. Las advertencias de los símbolos, por sí mismas, no eliminan los peligros. Las instrucciones y las advertencias no sustituyen las medidas de prevención de accidentes que correspondan.

**⚠ ADVERTENCIA:** Antes de utilizar esta herramienta, asegúrese de leer y comprender todas las instrucciones de seguridad en este Manual del propietario, incluidos todos los símbolos de alerta de seguridad como “**PELIGRO**”, “**ADVERTENCIA**” y “**PRECAUCIÓN**”. No seguir todas las instrucciones que se indican a continuación podría resultar en descargas eléctricas, incendios y/o lesiones personales graves.

|  |  |
|--|--|
| Las definiciones que aparecen a continuación describen el nivel de gravedad de cada palabra de aviso. Por favor, lea el manual y preste atención a estos símbolos. |  |
|   | Este es el símbolo de alerta de seguridad. Se utiliza para alertarle a usted de posibles peligros de lesiones corporales. Obedezca todos los mensajes de seguridad que sigan a este símbolo para evitar posibles lesiones o la muerte. |
|   | PELIGRO indica una situación peligrosa que, si no se evita, causará la muerte o lesiones graves.   |
|   | ADVERTENCIA indica una situación peligrosa que, si no se evita, podría causar la muerte o lesiones graves.   |
|   | PRECAUCIÓN, utilizada con el símbolo de alerta de seguridad, indica una situación peligrosa que, si no se evita, podría causar lesiones leves o moderadas.   |

## MENSAJES DE PREVENCIÓN DE DAÑOS E INFORMACIÓN


Estos mensajes ofrecen al usuario información y/o instrucciones importantes que, de no seguirse, podrían causar daños al equipo u otros daños materiales. Antes de cada mensaje, aparece la palabra “**AVISO**”, como en el ejemplo a continuación:

**AVISO:** Si no se siguen estas instrucciones se pueden producir daños al equipo y/o daños materiales.

# SÍMBOLOS

Esta página muestra y describe los símbolos de seguridad que es posible que aparezcan en este producto. Lea, entienda y siga todas las instrucciones que se encuentran en la máquina antes de intentar ensamblarla y utilizarla.

|  |  |  |
|--|--|--|
|  | <p>Alerta de seguridad</p>                   | <p>Precauciones relacionadas con la seguridad del usuario.</p>   |
|  | <p>Lea y entienda el manual del operador</p> | <p>Para reducir el riesgo de lesiones, el usuario debe leer y entender el manual del operador antes de utilizar este producto.</p>   |
|  | <p>Use protección ocular</p>                 | <p>Utilice siempre lentes de protección o lentes de seguridad con protecciones laterales y una careta completa cuando maneje este producto.</p>  |
|  | <p>Use protección auditiva</p>               | <p>Utilice siempre barreras acústicas (tapones u orejeras) para proteger su audición.</p>  |
|  | <p>Mantenga a las personas alejadas</p>      | <p>Mantenga a todas las personas alejadas del producto durante su funcionamiento.</p>  |
|  | <p>Símbolo de reciclaje</p>                  | <p>Este producto utiliza baterías de ion litio (ion Li). Las leyes locales, estatales o federales prohíben la eliminación de las baterías en la basura ordinaria. Consulte a su autoridad local de eliminación de residuos para obtener información sobre las opciones de reciclaje y eliminación disponibles.</p> |
|  | <p>Peligro de ingestión</p>                  | <p>Este producto contiene una batería tipo botón o tipo moneda.</p>  |
|  | <p>Bluetooth®</p>                            | <p>Símbolo de Bluetooth®</p>   |

|  | Corriente continua(DC)                                | Tipo o característica de corriente   |
|---|---|--|
| IP...   | Calificación de protección contra la penetración (IP) | Clasifica el grado de protección proporcionado por un recinto cerrado para equipos eléctricos. |
| V   | Voltio  | Tensión  |
| min   | Minutos   | Tiempo   |
| CFM   | Pies cúbicos por minuto                               | Volumen de aire  |
| MPH   | Millas por hora                                       | Velocidad del aire   |
| kg  | Kilogramo   | Peso   |
| lbs.  | Libras  | Peso   |
| °C  | Grados Celsius  | Temperatura  |
| °F  | Grados Fahrenheit                                     | Temperatura  |

# ADVERTENCIAS GENERALES DE SEGURIDAD DE LA MÁQUINA

**⚠ ¡ADVERTENCIA!** Lea todas las advertencias de seguridad, instrucciones, ilustraciones y especificaciones proporcionadas con esta herramienta. No seguir todas las instrucciones enumeradas a continuación puede provocar una descarga eléctrica, un incendio y/o lesiones graves.

## GUARDE TODAS LAS ADVERTENCIAS E INSTRUCCIONES PARA FUTURAS CONSULTAS.

El término “máquina” en las advertencias se refiere a su máquina alimentada por red eléctrica (con cable) o a batería (inalámbrica).

### Seguridad en la zona de trabajo

- **Mantenga la zona de trabajo limpia y bien iluminada.** Los lugares desordenados u oscuros propician accidentes.
- **No utilice las máquinas en atmósferas explosivas, como en presencia de líquidos, gases o polvos inflamables.** Las máquinas crean chispas que pueden inflamar el polvo o los humos.
- **Mantenga alejados a los niños y demás personas mientras utiliza la máquina.** Las distracciones pueden hacerle perder el control.

### Seguridad eléctrica

- **Los enchufes de la máquina deben coincidir con la toma de corriente. No modifique nunca el enchufe de ninguna manera. No utilice enchufes adaptadores con máquinas conectadas a tierra.** Los enchufes no modificados y las tomas de corriente adecuadas reducirán el riesgo de descarga eléctrica.
- **Evite el contacto del cuerpo con superficies conectadas a tierra, como tuberías, radiadores, estufas y refrigeradoras.** Existe un mayor riesgo de descarga eléctrica si su cuerpo está conectado a tierra.
- **No exponga la máquina a la lluvia o a la humedad.** La entrada de agua en la máquina puede aumentar el riesgo de descarga eléctrica.

- **No maltrate el cable. No utilice nunca el cable para transportar, jalar o desenchufar la máquina. Mantenga el cable alejado del calor, el aceite, los bordes afilados o las piezas móviles.** Los cables dañados o enredados aumentan el riesgo de descarga eléctrica.
- **Cuando utilice la máquina al aire libre, utilice un cable alargador adecuado para uso en exteriores.** El uso de un cable adecuado para exteriores reduce el riesgo de descarga eléctrica.
- **Si no puede evitar utilizar la máquina en un lugar húmedo, utilice un suministro protegido por un interruptor de circuito de fallo a tierra (GFCI).** El uso de un GFCI reduce el riesgo de descarga eléctrica.

## Seguridad personal

- **Manténgase alerta, observe lo que hace y utilice el sentido común cuando opere la máquina. No utilice la máquina bajo los efectos de drogas, alcohol o medicamentos.** Un momento de distracción mientras se utilizan máquinas puede provocar lesiones personales graves.
- **Utilice equipo de protección personal. Utilice siempre protección para los ojos.** El equipo de protección, como una máscara contra el polvo, calzado de seguridad antideslizante, casco o protección auditiva, utilizados en las condiciones adecuadas, reducirá las lesiones personales.
- **Evite el arranque involuntario. Asegúrese de que el interruptor esté en la posición de apagado antes de conectarlo a la fuente de alimentación y/o al paquete de baterías, levantar o transportar la máquina.** Transportar máquinas con el dedo en el interruptor o activar máquinas que tienen el interruptor encendido invita a sufrir accidentes.
- **Retire cualquier llave de ajuste o llave inglesa antes de encender la máquina.** Si se deja una llave inglesa o una llave fija en una pieza giratoria de la máquina, pueden producirse lesiones personales.
- **No se estire demasiado. Mantenga la postura y el equilibrio en todo momento.** Esto permite un mejor control de la máquina en situaciones inesperadas.
- **Use indumentaria adecuada. No lleve ropa suelta ni joyas. Mantenga su cabello y ropa alejados de las partes móviles.** La ropa suelta, las joyas o el cabello largo pueden quedar atrapados en las piezas móviles.



- **Si se han previsto dispositivos para la conexión de instalaciones de aspiración y captación de polvo, asegúrese de que estén conectados y se utilicen correctamente.** El uso de la captación de polvo puede reducir los riesgos relacionados con el polvo.
- **No deje que la familiaridad adquirida por el uso frecuente de las máquinas le permita volverse complaciente e ignorar los principios de seguridad de las máquinas.** Una acción descuidada puede causar lesiones graves en una fracción de segundo.

## Uso y cuidado de la máquina

- **No fuerce la máquina. Utilice la máquina adecuada para su aplicación.** La máquina correcta hará el trabajo mejor y de forma más segura al ritmo para el que fue diseñada.
- **No utilice la máquina si el interruptor no la enciende y apaga.** Cualquier máquina que no pueda controlarse con el interruptor es peligrosa y debe repararse.
- **Desconecte el enchufe de la fuente de alimentación y/o retire el paquete de baterías, si es desmontable, de la máquina antes de realizar cualquier ajuste, cambiar accesorios o almacenar las máquinas.** Estas medidas preventivas de seguridad reducen el riesgo de puesta en marcha accidental de la máquina.
- **Guarde las máquinas inactivas fuera del alcance de los niños y no permita que las manejen personas que no estén familiarizadas con la máquina o con estas instrucciones.** Las máquinas son peligrosas en manos de usuarios sin formación.
- **Mantenga las máquinas y los accesorios. Compruebe si las piezas móviles están desalineadas o atascadas, si hay piezas rotas o cualquier otra condición que pueda afectar al funcionamiento de la máquina.** Si está dañada, haga reparar la máquina antes de utilizarla. Muchos accidentes se deben a máquinas mal mantenidas.
- **Mantenga las máquinas de corte afiladas y limpias.** Las máquinas de corte con un mantenimiento adecuado y bordes de corte afilados tienen menos probabilidades de atascarse y son más fáciles de controlar.
- **Utilice la máquina, los accesorios y las brocas, etc., de acuerdo con estas instrucciones, teniendo en cuenta las condiciones de trabajo y el trabajo a realizar.** El uso de la máquina para operaciones distintas de las previstas puede provocar una situación peligrosa.

- **Mantenga los mangos y las superficies de agarre secos, limpios y sin aceite ni grasa.** Los mangos y superficies de agarre resbaladizas no permiten un manejo y control seguros de la máquina en situaciones inesperadas.

## Uso y cuidado de la máquina a batería

- **Recargue sólo con el cargador especificado por el fabricante.** Un cargador adecuado para un tipo de batería puede crear riesgo de incendio si se utiliza con otro tipo de batería.
- **Utilice las máquinas sólo con los paquetes de baterías específicamente designados.** El uso de cualquier otra batería puede crear un riesgo de lesiones e incendio.

| BATERÍA   | CARGADOR   |
|---|--|
| BA1400, BA1400-FC, BA2800, BA2800-FC, BA4200, BA4200-FC, BA1400T, BA1400T-FC, BA2242T, BA2242T-FC, BA2800T, BA2800T-FC, BA3360T, BA3360T-FC, BA4200T, BA4200T-FC, BA4480T, BA4480T-FC, BA5600T, BA5600T-FC, BA6720T, BA6720T-FC | CH2100, CH2100-FC, CH3200, CH3200-FC, CH5500, CH5500-FC, CH2800D, CH2800D-FC, CH7000, CH7000-FC, CH7000T, CH7000T-FC |

- **Cuando la batería no esté en uso, manténgala alejada de otros objetos metálicos, como clips, monedas, llaves, clavos, tornillos u otros objetos metálicos pequeños, que puedan hacer conexión de un terminal a otro.** Un cortocircuito entre los terminales de la batería puede provocar quemaduras o un incendio.
- **En condiciones abusivas, puede salir líquido de la batería; evite el contacto. En caso de contacto accidental, lavar con agua. Si el líquido entra en contacto con los ojos, busque además ayuda médica.** El líquido expulsado por la batería puede provocar irritaciones o quemaduras.
- **No utilice baterías o máquinas dañadas o modificadas.** Las baterías dañadas o modificadas pueden mostrar un comportamiento impredecible con el consiguiente riesgo de incendio, explosión o lesiones.
- **No exponga la batería ni la máquina al fuego ni a temperaturas excesivas.** La exposición al fuego o a temperaturas superiores a 265 °F (130 °C) puede provocar una explosión.

- **Siga todas las instrucciones de carga y no cargue la batería ni la máquina fuera del intervalo de temperatura especificado en las instrucciones.** Una carga inadecuada o a temperaturas fuera del rango especificado puede dañar la batería y aumentar el riesgo de incendio.

## Servicio

- **Encargue el mantenimiento de su máquina a un técnico calificado que utilice únicamente piezas de repuesto idénticas.** Esto garantizará que se mantenga la seguridad de la máquina.
- **Nunca realice mantenimiento a paquetes de baterías dañados.** El mantenimiento de las baterías sólo debe ser realizado por el fabricante o por un servicio técnico autorizado.

## ADVERTENCIAS DE SEGURIDAD DEL SOPLADOR

- **No utilice la máquina en condiciones climáticas adversas, especialmente cuando exista riesgo de rayos.** Esto disminuye el riesgo de ser alcanzado por un rayo.
- **Utilice protección para los ojos y los oídos.** Un equipo de protección adecuado reducirá el riesgo de lesiones personales.
- **Al operar la máquina, utilice siempre calzado antideslizante y protector. No opere la máquina descalzo o con sandalias abiertas.** Esto reduce el riesgo de lesiones en los pies.
- **No use ropa holgada ni artículos como bufandas, cordones, cadenas, corbatas, etc., que puedan quedar atrapados en las entradas de aire. Recójase o cubra el cabello largo para asegurarse de que no quede atrapado en las entradas de aire.** Si alguno de estos elementos entra en las entradas de aire, puede aumentar el riesgo de lesiones personales.
- **Mantenga a las personas alejadas mientras opera la máquina.** Los escombros arrojados pueden aumentar el riesgo de lesiones personales.
- **Nunca apunte la boquilla del soplador hacia personas o mascotas ni hacia ventanas. Tenga mucho cuidado al soplar escombros cerca de objetos sólidos, como árboles, automóviles y paredes que puedan hacer que los escombros reboten.** Los objetos arrojados pueden dañar la propiedad y aumentar el riesgo de lesiones personales.

- **No utilice la máquina para soplar nada que esté ardiendo o humeando, como cigarrillos, fósforos o cenizas calientes.** Estas fuentes de ignición pueden aumentar el riesgo de incendio.
- **No toque el ventilador mientras esté en movimiento. Apague la máquina y espere hasta que el ventilador se detenga antes de retirar cualquier pieza que pueda dar acceso al ventilador.** Esto reduce el riesgo de lesiones causadas por piezas móviles.
- **Al limpiar material atascado o realizar el mantenimiento de la máquina, asegúrese de que el interruptor de encendido esté apagado.** El arranque inesperado de la máquina mientras se limpia material atascado o se realiza mantenimiento puede ocasionar lesiones personales graves.

## BATERÍA TIPO MONEDA

- Este producto contiene baterías no reemplazables.
- Retire y recicle o deseche inmediatamente las baterías usadas, de acuerdo con los reglamentos locales, y manténgalas fuera del alcance de los niños. NO deseche las baterías en la basura doméstica ni las incinere.
- Es posible que incluso las baterías usadas causen lesiones graves o la muerte.
- Llame a un centro local de control de envenenamientos para obtener información de tratamiento.
- El tipo de batería tipo moneda: ICB1250 E6
- Tensión nominal de la batería tipo moneda: 3,85 V
- Las baterías no recargables no se deben recargar.
- No descargue ni recargue forzosamente, desarme, caliente (por encima de la temperatura nominal especificada por el fabricante) ni incinere las baterías. Si hace alguna de estas cosas, es posible que el resultado sea lesiones debido a venteo, fuga o explosión que causen quemaduras químicas.

### **ADVERTENCIA**

- **PELIGRO DE INGESTIÓN:** Este producto contiene una batería tipo botón o tipo moneda.
- Si se ingiere, el resultado puede ser la **MUERTE** o lesiones graves.
- Si se traga, una batería tipo botón o tipo moneda puede causar **quemaduras químicas internas** en tan poco tiempo como **2 horas**.
- **MANTENGA** las baterías nuevas y usadas **FUERA DEL ALCANCE DE LOS NIÑOS**.
- **Obtenga atención médica inmediata** si se sospecha que una batería se ha tragado o se ha insertado dentro de cualquier parte del cuerpo.



## DECLARACIÓN DE LA FCC

1. Este dispositivo cumple con la Parte 15 de las Reglas de la FCC. Su utilización está sujeta a las dos condiciones siguientes:
  - 1) Este dispositivo no podrá causar interferencia perjudicial.
  - 2) Este dispositivo debe aceptar cualquier interferencia que reciba, incluyendo interferencia que pueda causar un funcionamiento no deseado.
2. Los cambios o las modificaciones no aprobados expresamente por la parte responsable del cumplimiento de la normativa podrían anular la autoridad del usuario para utilizar el equipo.

**AVISO:** Este equipo ha sido sometido a pruebas y se ha demostrado que cumple con los límites para un dispositivo digital de Clase B, conforme a la Parte 15 de las Reglas de la FCC. Estos límites están diseñados para proporcionar una protección razonable contra la interferencia perjudicial en una instalación doméstica. Este equipo genera, utiliza y puede irradiar energía de radiofrecuencia y, si no se instala y se utiliza de acuerdo con las instrucciones, es posible que cause interferencia perjudicial para las radiocomunicaciones. Sin embargo, no hay garantía de que no se vaya a producir interferencia en una instalación en particular. Si este equipo efectivamente causa interferencia perjudicial para la recepción de radio o televisión, lo cual se puede determinar apagando y encendiendo el equipo, se insta al usuario a que intente corregir la interferencia mediante una o más de las siguientes medidas: Reoriente o reubique la antena receptora. Aumente la separación entre el equipo y el receptor. Conecte el equipo a un tomacorriente de un circuito diferente al circuito al cual el receptor esté conectado. Para obtener ayuda, consulte con el distribuidor o con un técnico de radio y televisión experimentado.

## INTRODUCCIÓN

Felicitaciones por su selección del nuevo soplador tipo mochila COMERCIAL EGO de ion litio de 56 V. Este soplador ha sido diseñado, concebido y fabricado para ofrecerle a usted la mejor confiabilidad y el mejor rendimiento posibles.


En el caso de que tenga cualquier problema que no pueda remediar fácilmente, sírvase contactar al centro de servicio al cliente de EGO llamando al 1-855-EGO-5656.

Este manual contiene información importante sobre el ensamblaje, la utilización y el mantenimiento seguros de su producto. Léalo detenidamente antes de utilizar el producto. Tenga este manual al alcance de la mano para poder consultarlo en cualquier momento.

NÚMERO DE SERIE \_\_\_\_\_ FECHA DE COMPRA \_\_\_\_\_

DEBE ANOTAR EL NÚMERO DE SERIE Y LA FECHA DE COMPRA Y CONSERVARLOS EN UN LUGAR SEGURO PARA CONSULTARLOS EN EL FUTURO.

## ESPECIFICACIONES

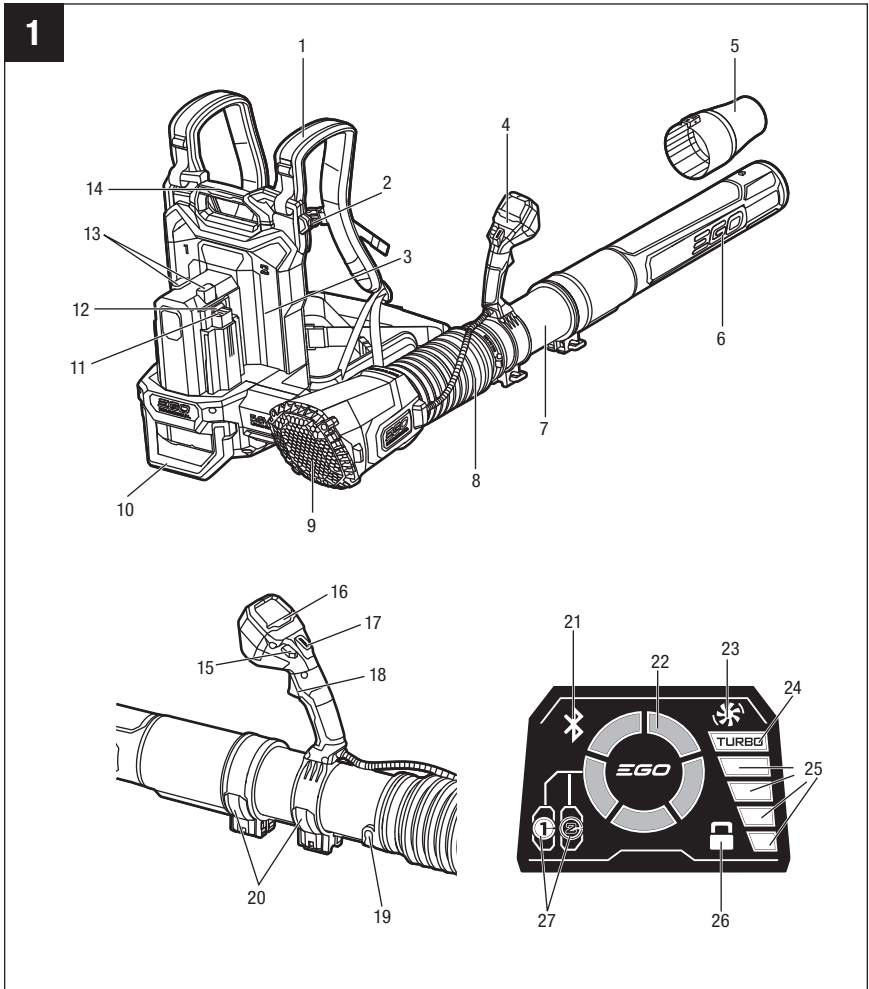
|  |  |                          |
|--|--|--------------------------|
| Tensión  | 56 V  |                          |
| Volumen de aire máximo                               | 800 PCM  |                          |
| Velocidad máxima del aire                            | 190 MPH  |                          |
| Fuerza máxima de soplado                             | 26 N   |                          |
| Tiempo de funcionamiento aproximado                  | Con dos paquetes de batería de 6,0 Ah  | 24 min (turbo)           |
|  |  | 32 min (velocidad alta)  |
|  |  | 120 min (velocidad baja) |
|  | Con dos paquetes de batería de 12 Ah   | 30 min (turbo)           |
|  |  | 40 min (velocidad alta)  |
|  |  | 150 min (velocidad baja) |
|  | With two 10 Ah Battery Packs   | 40 min (turbo)           |
|  |  | 52 min (velocidad alta)  |
|  |  | 200 min (velocidad baja) |
|  | With two 12 Ah Battery Packs   | 48 min (turbo)           |
|  |  | 63 min (velocidad alta)  |
|  |  | 240 min (velocidad baja) |
| Temperatura de funcionamiento recomendada            | 5 - 104 °F (-15 - 40 °C)   |                          |
| Temperatura de almacenamiento recomendada            | -4 - 158 °F (-20 - 70 °C)  |                          |
| Peso del soplador (sin paquete de batería, con tubo) | 17 lb (7.7 kg)   |                          |
| Calificación de protección contra la penetración     | IPX5* (protección contra los chorros de agua)  |                          |

\* **NOTA:** La calificación IPX5 se basa en que la máquina y la batería se utilicen juntas como un sistema.



# DESCRIPCIÓN

## CONOZCA SU SOPLADOR (Fig. 1)



- |    |   |    |                                    |
|----|---|----|------------------------------------|
| 1  | Arnés de soporte ajustable                      | 15 | Botón de bloqueo de la velocidad   |
| 2  | Perilla de almacenamiento del tubo del soplador | 16 | Pantalla LCD                       |
| 3  | Placa de la mochila                             | 17 | Botón turbo                        |
| 4  | Mango de control                                | 18 | Gatillo de velocidad del aire      |
| 5  | Boquilla cónica                                 | 19 | Surco de suspensión del tubo       |
| 6  | Tubo del soplador                               | 20 | Palanca de liberación rápida       |
| 7  | Tubo del mango de control                       | 21 | Indicador de Bluetooth             |
| 8  | Fuelle  | 22 | Indicador de combustible           |
| 9  | Entrada de aire                                 | 23 | Ícono de ventilador                |
| 10 | Mango auxiliar                                  | 24 | Indicador turbo                    |
| 11 | Contactos eléctricos                            | 25 | Indicador de la velocidad del aire |
| 12 | Pestillo  | 26 | Ícono de bloqueo de la velocidad   |
| 13 | Botones de liberación de la batería             | 27 | Ícono de batería                   |
| 14 | Mango   |    |                                    |

**⚠ ADVERTENCIA:** El uso seguro de este producto requiere entender la información que se encuentra en el producto y en este manual de instrucciones, así como tener conocimiento del proyecto que se esté intentando realizar. Antes de utilizar este producto, familiarícese con todas las características de funcionamiento y todas las normas de seguridad.

### **Gatillo de velocidad del aire**

Arranca/para el soplador y ajusta la velocidad del aire.

### **Botón de bloqueo de la velocidad**

Permite al usuario utilizar el soplador sin presionar continuamente el gatillo de velocidad del aire.

### **Botón turbo**

Aumenta temporalmente la velocidad del aire hasta el máximo mientras se está en cualquier ajuste de velocidad.

### **Botón de liberación de la batería**

Libera el paquete de batería para retirarlo del soplador.

## **Pestillo**

Fija el paquete de batería cuando este se instala en el soplador.

## **Boquilla cónica**

Concentra adicionalmente el flujo de aire y aumenta la velocidad del aire.

## **Arnés de soporte ajustable**

Reduce la fatiga del usuario al distribuir uniformemente el peso a través de los hombros y la espalda.

## **Perilla de almacenamiento del tubo del soplador y surco de suspensión del tubo**

Proporcionan almacenamiento seguro del tubo del soplador cuando el soplador no se está utilizando.

## **Indicador de combustible**

Indica la capacidad de carga promedio de los paquetes de batería insertados.

## **Ícono de batería**

Se ilumina cuando los paquetes de batería están insertados en los puertos de batería correspondientes y se enciende el soplador.



Se ilumina durante todo el tiempo que el botón turbo esté presionado durante la utilización.



Se ilumina cuando el soplador está encendido y el botón de bloqueo de la velocidad se presiona brevemente.

## **PEAK POWER™**

Esta tecnología combina la potencia de hasta dos baterías EGO ARC Lithium™ de 56 V para obtener un tiempo de funcionamiento más prolongado y un consumo eficiente de energía.

## ENSAMBLAJE

**⚠ ADVERTENCIA:** Si alguna de las piezas falta o está dañada, no utilice este producto hasta que las piezas hayan sido reemplazadas. El uso de este producto con piezas dañadas o si le faltan piezas podría tener como resultado lesiones corporales graves.

**⚠ ADVERTENCIA:** No intente modificar este producto ni crear accesorios no recomendados para utilizarse con este producto. Cualquiera de dichas alteraciones o modificaciones constituye un uso incorrecto y podría provocar una situación peligrosa que cause posibles lesiones corporales graves.

## DESEMPAQUE

- Saque cuidadosamente el producto y todos los accesorios de la caja. Asegúrese de que todos los artículos indicados en la lista de empaquetamiento estén incluidos.

**⚠ ADVERTENCIA:** No utilice este producto si cualquiera de las piezas de la lista de empaquetamiento ya está ensamblada en el producto cuando lo desempaque. Las piezas incluidas en esta lista no son ensambladas en el producto por el fabricante y requieren instalación por el cliente. La utilización de un producto que pueda haber sido ensamblado incorrectamente podría causar lesiones corporales graves.

- Inspeccione minuciosamente la herramienta para asegurarse de que no se hayan producido roturas o daños durante el envío.
- No deseche el material de empaquetamiento hasta que haya inspeccionado minuciosamente y utilizado satisfactoriamente la herramienta.
- Si alguna de las piezas está dañada o falta, sírvase devolver el producto al lugar de compra.

## LISTA DE EMPAQUETAMIENTO

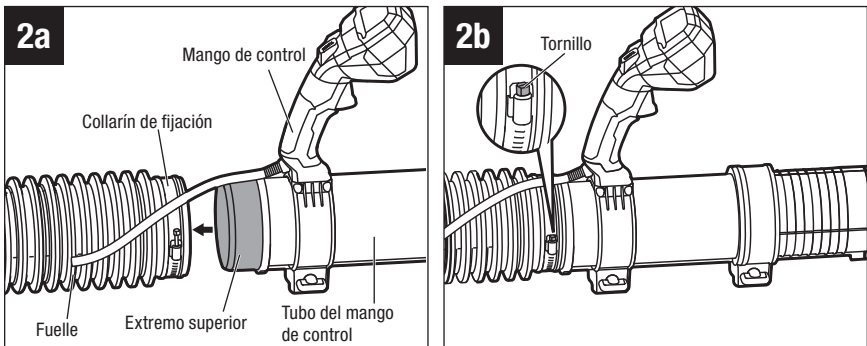
| NOMBRE DE LA PIEZA  | CANTIDAD |
|---------------------|----------|
| Soplador            | 1        |
| Tubo del soplador   | 1        |
| Boquilla cónica     | 1        |
| Manual del operador | 1        |

## ENSAMBLAJE DE LOS TUBOS DEL SOPLADOR

**⚠ ADVERTENCIA:** Para evitar arranques accidentales que podrían causar lesiones corporales graves, retire siempre el paquete (los paquetes) de batería del soplador cuando ensamble piezas.

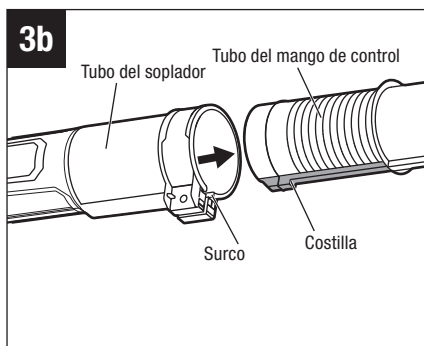
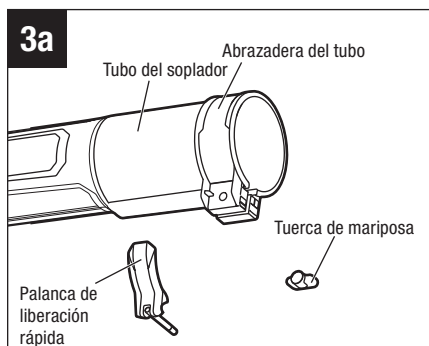
### Conexión del tubo del mango de control al fuelle

1. Inserte el extremo superior del tubo del mango de control en el fuelle tanto como sea posible (Fig 2a).
2. Utilizando un destornillador plano (no incluido), apriete firmemente el tornillo ubicado en el collarín de fijación que está fijo sobre el fuelle (Fig 2b).

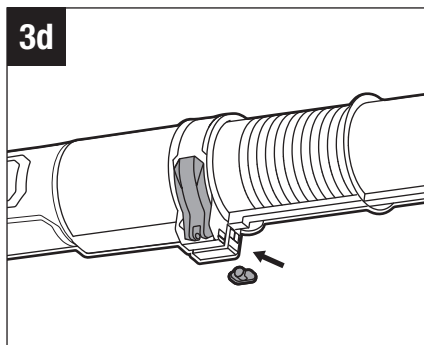
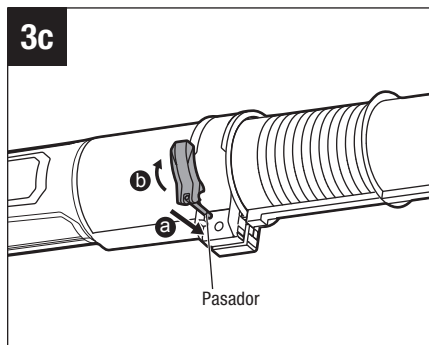


## Conexión del tubo del soplador al tubo del mango de control

1. Afloje y retire la palanca de liberación rápida y la tuerca de mariposa del ensamble de la abrazadera del tubo que está fijo sobre el tubo del soplador (Fig. 3a).
2. Alinee el surco ubicado en el tubo del soplador con la costilla ubicada en el tubo del mango de control y deslice el tubo del soplador sobre el tubo del mango de control tanto como sea posible (Fig. 3b).

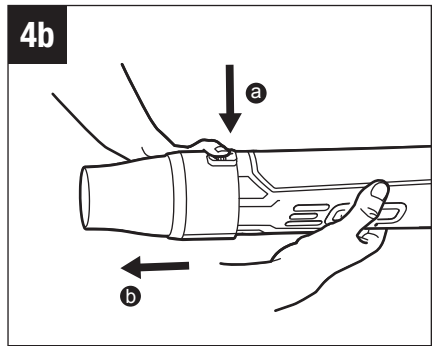
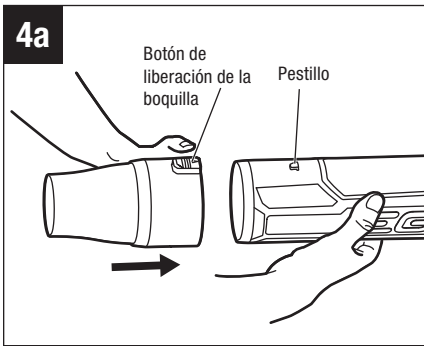


3. Inserte el pasador de la palanca de liberación rápida y cierre la palanca sobre la abrazadera del tubo (Fig. 3c).
4. Apriete la tuerca de mariposa para fijar la abrazadera del tubo (Fig. 3d).



## Conexión de la boquilla roscada al tubo del soplador

1. Alinee el surco ubicado en la boquilla con el pestillo ubicado en el tubo. Empuje la boquilla sobre el tubo hasta que se acople firmemente a presión en la posición correcta (Fig. 4a).
2. Para retirar la boquilla, presione y mantenga presionado el botón de liberación de la boquilla para desacoplar el pestillo y luego jale la boquilla directamente hacia fuera del tubo del soplador (Fig. 4b).



## UTILIZACIÓN

**⚠ ADVERTENCIA:** No deje que la familiaridad con este producto le haga descuidarse. Recuerde que una fracción de segundo de descuido es suficiente para causar lesiones graves.

**⚠ ADVERTENCIA:** Use siempre protección ocular con escudos laterales que esté marcada para cumplir con la norma ANSI Z87.1, junto con protección de la audición. Si no se hace así, el resultado podría ser que se lancen objetos hacia los ojos del operador y otras posibles lesiones graves.

**⚠ ADVERTENCIA:** No utilice ningún aditamento o accesorio no recomendado por el fabricante de este producto. La utilización de aditamentos o accesorios no recomendados puede causar lesiones corporales graves.

Antes de cada uso, inspeccione todo el producto para determinar si hay piezas dañadas, si faltan piezas o si hay piezas flojas, tales como tornillos, tuercas, pernos, tapas, etc. Apriete firmemente todos los sujetadores y todas las tapas y no utilice este producto hasta que todas las piezas que falten o estén dañadas hayan sido reemplazadas.

## APLICACIÓN

Usted puede utilizar este producto para los propósitos que se indican a continuación:

- Despejar hojas y residuos misceláneos de céspedes y lechos de mantillo
- Despejar superficies duras, tales como entradas de garaje y pasarelas
- Mantener las terrazas y las entradas de garaje libres de hojas y agujas de pino



## PARA INSTALAR/DESINSTALAR LOS PAQUETES DE BATERÍA

**NOTA:** Cargue completamente el paquete de batería antes del primer uso.

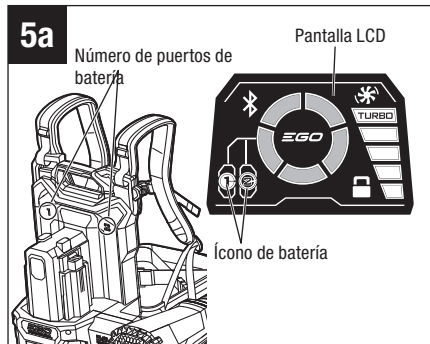
**NOTA:** Para obtener el mejor rendimiento, recomendamos utilizar el paquete de batería EGO de 56 V BA3360T/ BA3360T-FC (6,0 Ah) u otros paquetes de batería EGO de 56 V con una capacidad de Ah más alta.

**⚠ ADVERTENCIA:** Retire siempre el paquete (los paquetes) de batería del producto cuando esté ensamblando piezas, haciendo ajustes o realizando limpieza, o cuando el producto no se esté utilizando. Al desinstalar el paquete (los paquetes) de batería se evitarán los arranques accidentales que podrían causar lesiones corporales graves.

El soplador tiene dos puertos de batería activos, ubicados en el lado izquierdo y derecho de la carcasa de los puertos de batería.

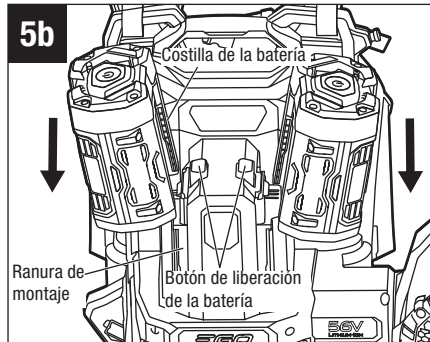
**NOTA:** El soplador puede funcionar con una o con dos baterías. La utilización de dos baterías le da a usted un tiempo de funcionamiento más prolongado y un consumo de energía eficiente gestionado por la tecnología PEAK POWER™.

Cuando los paquetes de batería estén insertados en los puertos de batería correspondientes, marcados con un 1 o un 2 en la placa de la mochila, y se encienda el soplador, el ícono de batería correspondiente se iluminará en la pantalla LCD (Fig. 5a).



### Para instalar los paquetes de batería (Fig. 5b)

1. Alinee las costillas del paquete de batería con las ranuras de montaje ubicadas en el puerto de batería del soplador.
2. Presione hacia abajo el paquete de batería hasta que se acople a presión en la posición correcta.



3. Repita el proceso para instalar el segundo paquete de batería.

## Para desinstalar los paquetes de batería

**⚠ ADVERTENCIA:** Tenga siempre cuidado de fijarse en la ubicación de los pies, los niños o los animales domésticos cuando presione el botón de liberación de la batería. Se podrían producir lesiones graves si el paquete de batería se cae. No retire NUNCA el paquete de batería cuando esté en una ubicación elevada.

1. Presione los botones de liberación de la batería; los paquetes de batería se desacoplarán del pestillo y el mecanismo de eyección ayudará en la desinstalación.
2. Retire los paquetes de batería del soplador.

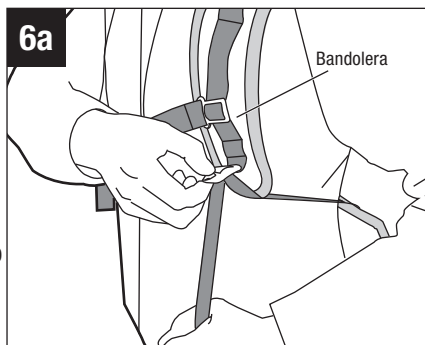
## POSICIONAMIENTO DEL SOPLADOR TIPO MOCHILA

**⚠ ADVERTENCIA:** Vístase adecuadamente para reducir el riesgo de lesiones cuando utilice esta máquina. No use ropa holgada ni joyas. Use protección ocular y de oídos/audición. Use pantalones largos gruesos, botas y guantes. No use pantalones cortos ni sandalias, ni vaya descalzo.

Antes de utilizar el soplador tipo mochila, asegúrese de que el operador esté usando protección ocular y ropa adecuada, y que pueda mantener un apoyo de los pies seguro y equilibrado.

## Para ajustar el arnés de soporte

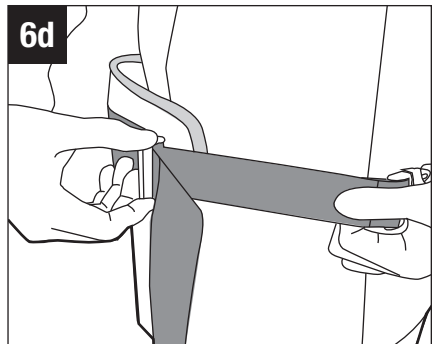
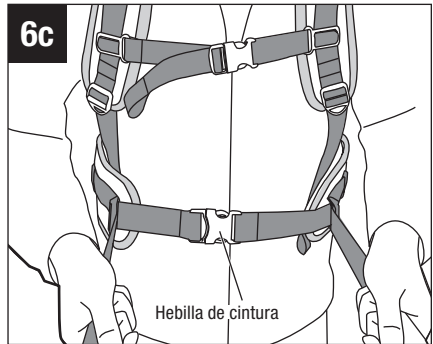
1. Pase los brazos a través de las bandoleras de la mochila para soportar el soplador en la espalda.
2. Ajuste temporalmente ambas bandoleras en posiciones cómodas (Fig. 6a), asegurándose de que el codo esté cómodo.



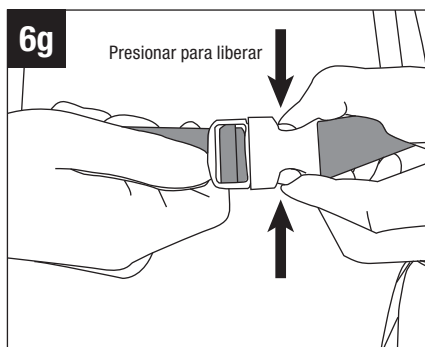
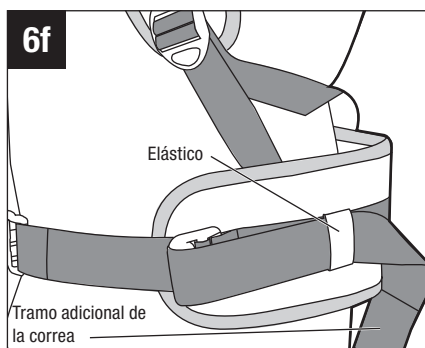
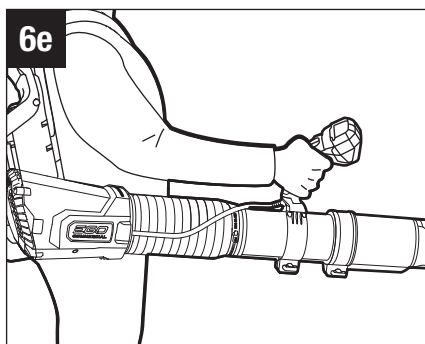
3. Acople a presión la hebilla de pecho y ajuste la longitud de la correa de pecho si es necesario (Fig. 6b).
4. Acople a presión la hebilla de cintura y ajuste la longitud de la correa de cintura de manera que la mochila esté soportada firmemente por las caderas (Fig. 6c y 6d).

**AVISO:** La mochila no deberá estar asentada demasiado alta en la espalda del operador; deberá estar posicionada más cerca de las caderas que de los hombros.

**⚠ ADVERTENCIA:** Cuando se produzca una emergencia, libere inmediatamente las hebillas de pecho y de cintura para quitarse la correa de la mochila a cada lado, lo cual es un método de liberación rápida.

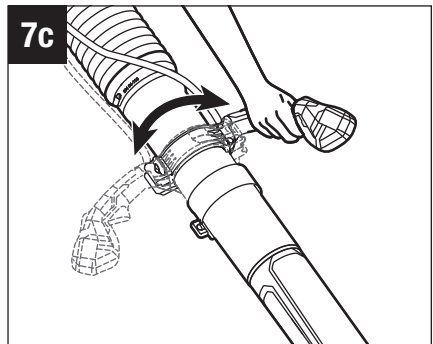
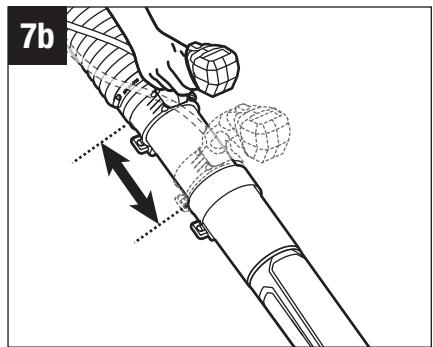
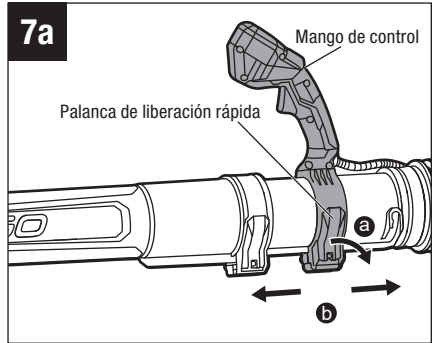


5. Reajuste las bandoleras para obtener seguridad y comodidad. Asegúrese de que la mochila esté asentada de manera segura en la espalda, con el peso soportado por la correa de cintura y sin movimiento excesivo cuando usted se mueva (Fig. 6e).
6. Inserte todo tramo adicional de la correa alrededor de la cintura en el elástico a ambos lados (Fig. 6f).
7. Para desinstalar la mochila de la espalda, simplemente presione las hebillas de cintura y de pecho para liberarlas y baje el soplador (Fig. 6g).



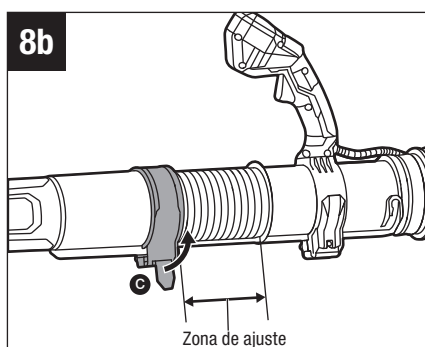
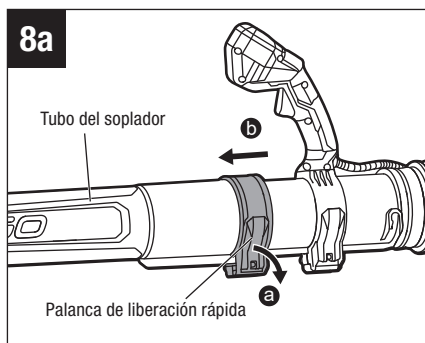
## Para ajustar el mango de control

1. Libere la palanca de liberación rápida para mover el mango de control hacia delante o hacia atrás según sea necesario (Fig. 7a y 7b) y luego acople la palanca de liberación rápida para fijar el mango de control en la posición correcta.
2. Usted también puede rotar el mango de control según sea necesario para lograr comodidad (Fig. 7c).



## Para ajustar la longitud del tubo del mango de control (Fig. 8a, 8b)

1. Libere la palanca de liberación rápida.
2. Mueva el tubo del soplador hasta una posición de utilización cómoda dentro de la zona de ajuste (Fig. 8a).
3. Acople la palanca de liberación rápida para fijar el tubo del soplador en la posición correcta (Fig. 8b).



## ARRANQUE/PARADA DEL SOPLADOR

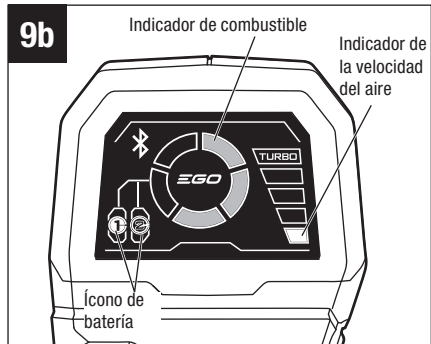
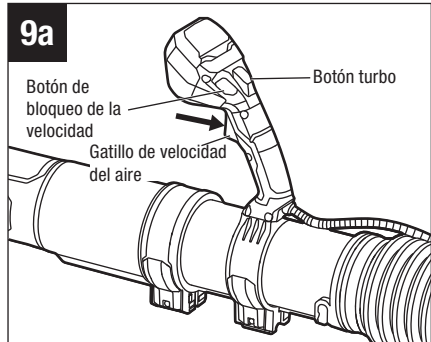
**NOTA:** Es posible que el soplador no arranque correctamente si la temperatura de la batería o del soplador es de  $-4\text{ }^{\circ}\text{F}$  ( $-15\text{ }^{\circ}\text{C}$ ) o menos. En este caso, retire la batería del soplador y deje que la batería y el soplador se calienten en el interior durante 10 minutos o más. Vuelva a instalar la batería e intente nuevamente.

### Gatillo de velocidad del aire (Fig. 9a, 9b)

- Presione el gatillo de velocidad del aire para encender el soplador y seguidamente la pantalla LCD mostrará el indicador de combustible, el ícono de batería y el indicador de la velocidad del aire.

**NOTA:** 1 LED del indicador de combustible en la pantalla LCD parpadea cuando la carga de la batería está baja.

- La velocidad del aire del soplador se controla con el gatillo de velocidad variable. Más presión sobre el gatillo produce velocidades de soplado más altas; menos presión sobre el gatillo produce velocidades de soplado más bajas. Ajuste la velocidad para adaptarse a la tarea que se esté realizando. El ícono de velocidad del aire correspondiente se mostrará en la pantalla LCD.
- Suelte el interruptor de velocidad del aire para apagar el soplador. La pantalla LCD se apagará dentro de un cierto período de tiempo después de que se suelte el gatillo.




## Modo turbo

Mientras el gatillo de velocidad del aire está presionado y se mantiene presionado, presione el botón turbo para aumentar el flujo de aire hasta la velocidad máxima (Fig. 9a). Tanto el indicador turbo  como el ícono de ventilador  se iluminarán en la pantalla LCD (Fig. 9c).

**NOTA:** El soplador regresará a la velocidad previa al soltar el botón turbo.


## Modo de bloqueo de la velocidad

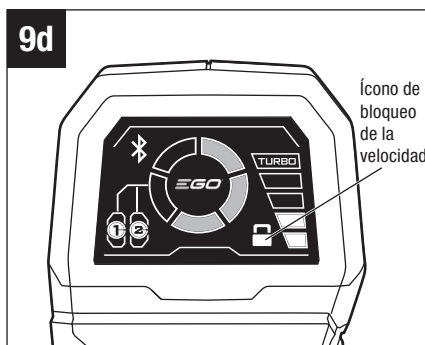
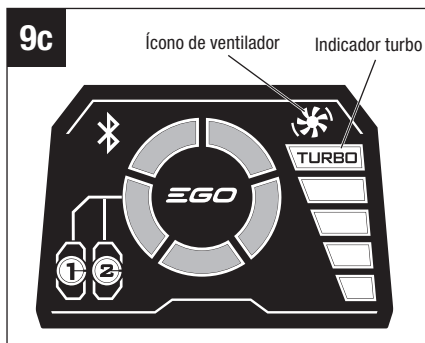
El bloqueo de la velocidad se puede utilizar para operar el soplador sin presionar continuamente el gatillo de velocidad del aire.

1. Presione el gatillo de velocidad del aire hasta que se alcance la velocidad deseada (Fig. 9a).
2. Presione el botón de bloqueo de la velocidad. El ícono de bloqueo de la velocidad  se iluminará en la pantalla LCD (Fig. 9d).
3. Luego, suelte el gatillo de velocidad del aire y el soplador seguirá funcionando.

**NOTA:** Al presionar el botón turbo mientras se está en el modo de bloqueo de velocidad, se puede

**bloquear la velocidad del aire en el nivel máximo. El soplador regresará a la velocidad previa cuando usted presione una vez más el botón turbo.**

4. **Para liberar el bloqueo de la velocidad**, presione de nuevo el botón de bloqueo de la velocidad. El ícono  de bloqueo de la velocidad desaparecerá de la pantalla LCD y el soplador se apagará.





## **TECNOLOGÍA INALÁMBRICA BLUETOOTH®**

Los productos con tecnología inalámbrica Bluetooth® incorporada se puede conectar a dispositivos móviles utilizando apps EGO. Por favor, visite [www.egopowerplus.com/commercial](http://www.egopowerplus.com/commercial) para obtener instrucciones y siga la guía incluida en la app EGO Connect sobre cómo conectar y utilizar la función Bluetooth®.

El indicador de Bluetooth® se iluminará cuando la máquina esté conectada a su dispositivo móvil.

## **CONSEJOS PARA UTILIZAR EL SOPLADOR**

- Para evitar esparcir residuos, sople alrededor de los bordes exteriores de un montón de residuos. No sople nunca directamente en el centro de un montón de residuos.
- Para reducir los niveles sonoros, limite el número de unidades de equipo que se utilizan en cualquier momento.
- Utilice rastrillos y escobas para aflojar los residuos antes de soplar. En condiciones en las que haya grandes cantidades de polvo, humedezca ligeramente las superficies si hay agua disponible.
- Esté atento a la presencia de niños, animales domésticos, ventanas abiertas o automóviles recién lavados, y sople los residuos alejándolos de manera segura.
- Después de utilizar sopladores u otros equipos, ¡limpie! Deseche adecuadamente los residuos.

## MANTENIMIENTO

**⚠ ADVERTENCIA:** Cuando haga servicio de ajustes y reparaciones, utilice solo piezas de repuesto idénticas. Es posible que el uso de cualquier otra pieza cree un peligro o cause daños al producto. Para garantizar la seguridad y la confiabilidad, todas las reparaciones deberán ser realizadas por un técnico de servicio calificado.

**⚠ ADVERTENCIA:** Para evitar lesiones corporales graves, retire siempre el paquete de batería del soplador antes de efectuar limpieza o realizar cualquier mantenimiento.

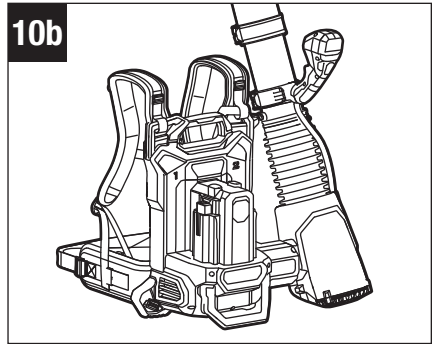
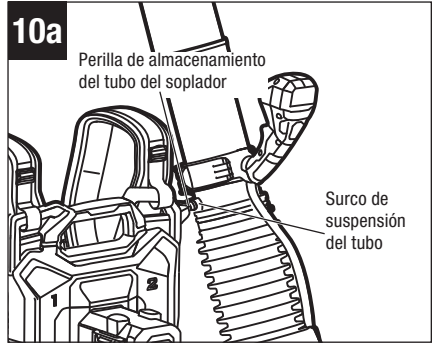
### MANTENIMIENTO GENERAL

Evite utilizar solventes cuando limpie piezas de plástico. La mayoría de los plásticos son susceptibles de sufrir daños causados por diversos tipos de solventes comerciales y es posible que resulten dañados por su uso. Use paños limpios para retirar la suciedad, el polvo, el aceite, la grasa, etc.

**⚠ ADVERTENCIA:** No deje en ningún momento que líquidos de freno, gasolina, productos a base de petróleo, aceites penetrantes, etc., entren en contacto con las piezas de plástico. Las sustancias químicas pueden dañar, debilitar o destruir el plástico, lo cual puede causar lesiones corporales graves.

## ALMACENAMIENTO

- Retire el paquete (los paquetes) de batería del soplador.
- Elimine todo el material extraño de las entradas de aire del soplador.
- Alinee la perilla de almacenamiento del tubo del soplador con el surco de suspensión del tubo y enganche el tubo del soplador sobre la carcasa de los puertos de batería (Fig. 10a y 10b).
- Almacene el producto en un espacio cerrado que sea inaccesible para los niños. Manténgalo alejado de los agentes corrosivos, tales como productos químicos de jardín y sales anticongelantes.



## RESOLUCIÓN DE PROBLEMAS

| PROBLEMA                 | CAUSA   | SOLUCIÓN   |
|--------------------------|---|--|
| El soplador no funciona. | <ul style="list-style-type: none"> <li>■ La batería no está conectada al soplador.</li> <li>■ No hay contacto eléctrico entre el soplador y la batería.</li> <li>■ La carga de la batería está agotada.</li> <li>■ La batería o el soplador están demasiado calientes.</li> <li>■ Gatillo de velocidad del aire dañado.</li> <li>■ La batería o el soplador están demasiado fríos.</li> </ul> | <ul style="list-style-type: none"> <li>■ Conecte la batería al soplador.</li> <li>■ Retire el paquete de baterías, verifique los contactos y vuelva a instalar el paquete de baterías.</li> <li>■ Cargue la batería.</li> <li>■ Enfríe el paquete de baterías y el soplador hasta que su temperatura caiga por debajo de 152 °F (67 °C).</li> <li>■ Póngase en contacto con el servicio de atención al cliente de EGO para que la reparen.</li> <li>■ Retire la batería y deje que ésta y el soplador se calienten en el interior. Se recomienda cargar completamente la batería y arrancar el soplador a baja velocidad sin activar el modo turbo.</li> </ul> |

| <b>PROBLEMA</b>  | <b>CAUSA</b>  | <b>SOLUCIÓN</b>  |
|--|---|--|
| El modo de bloqueo de velocidad no se puede activar ni desactivar. | <ul style="list-style-type: none"><li>■ Botón de bloqueo de velocidad dañado.</li></ul>   | <ul style="list-style-type: none"><li>■ Póngase en contacto con el servicio de atención al cliente de EGO para que la reparen.</li></ul>   |
| La velocidad del aire se reduce notablemente.                      | <ul style="list-style-type: none"><li>■ La carga de la batería es baja.</li><li>■ Desgaste excesivo del ventilador del motor.</li><li>■ La entrada de aire está bloqueada por residuos.</li></ul> | <ul style="list-style-type: none"><li>■ Cargue la batería.</li><li>■ Póngase en contacto con el servicio de atención al cliente de EGO para que la reparen.</li><li>■ Retire la batería y limpie los residuos.</li></ul> |
| La pantalla LCD no funciona correctamente.                         | <ul style="list-style-type: none"><li>■ La pantalla LCD o la conexión del cable están dañadas.</li></ul>  | <ul style="list-style-type: none"><li>■ Póngase en contacto con el servicio de atención al cliente de EGO para que la reparen.</li></ul>   |
| 1 LED del indicador de combustible en la pantalla LCD parpadea.    | <ul style="list-style-type: none"><li>■ La carga de la batería es baja.</li></ul>   | <ul style="list-style-type: none"><li>■ Cargue la batería.</li></ul>   |

# GARANTÍA LIMITADA DE EGO

## TÉRMINOS Y DURACIÓN DE LA PÓLIZA DE GARANTÍA

Chervon North America, Inc. (“Chervon North America”), proporciona la siguiente Garantía Limitada para los productos EGO al comprador original de productos EGO.

El período de garantía detallado de cada producto EGO se puede encontrar en línea en <http://egopowerplus.com/warranty-policy>.

**Sírvase contactar a Servicio al Cliente de EGO llamando gratis al 1-855-EGO-5656** en cualquier momento en que tenga preguntas o reclamos de garantía.

## GARANTÍA LIMITADA DE SERVICIO

Los productos EGO están garantizados contra defectos de material o de fabricación a partir de la fecha de compra minorista original durante el período de garantía aplicable. Para cualquier reclamo de garantía presentado de manera adecuada y oportuna, si Chervon North America determina que un producto presenta algún defecto durante el período de garantía, dicho producto recibirá una reparación o un remplazo gratuitos, según lo determine Chervon North America.

## CÓMO OBTENER SERVICIO

Para obtener servicio de garantía, dentro del período de garantía aplicable, sírvase contactar a servicio al cliente de EGO llamando gratis al **1-855-EGO-5656**. Cuando solicite servicio de garantía, deberá presentar el recibo de venta fechado original. Se seleccionará un centro de servicio autorizado para evaluar y reparar el producto si el mismo presenta algún defecto de acuerdo con los términos establecidos en la garantía. Cuando lleve su producto al centro de servicio autorizado, es posible que se requiera un pequeño depósito cuando deje allí su herramienta. Este depósito es reembolsable cuando se considere que el servicio de reparaciones esté cubierto bajo garantía. El comprador es responsable del transporte de cualquier equipo o aditamento de energía para exteriores a sus expensas.

## LIMITACIONES Y EXCLUSIONES ADICIONALES

Esta garantía limitada se aplica solo al comprador original que realice la compra a un minorista EGO autorizado y no es transferible. Los productos EGO no serán considerados defectuosos, y esta garantía no se aplicará, en los casos en que el defecto por el que se presente el reclamo sea atribuible a cualquier causa que no sean los defectos definidos anteriormente en este documento. Esta garantía quedará anulada si el producto se ha utilizado para fines de alquiler. Esta garantía no se aplicará a daños causados por accidente, abuso, uso incorrecto, alteración, modificación, reparación no autorizada, contacto con líquidos, incendio, terremoto u otra causa externa; utilización del producto sin seguir las instrucciones, especificaciones o pautas de EGO; o no hacer servicio de ajustes y reparaciones o no mantener adecuadamente el producto. Esta garantía tampoco se aplica a los daños cosméticos, incluyendo, pero sin limitarse a ello, rasguñaduras o abolladuras; defectos causados por el desgaste por el uso normal o defectos que de alguna otra manera se deban al envejecimiento normal del producto.

ESTA GARANTÍA EXPRESA SE DA EN LUGAR DE TODAS LAS DEMÁS GARANTÍAS, EXPRESAS O IMPLÍCITAS, INCLUYENDO, PERO SIN LIMITARSE A ELLO, TODAS LAS GARANTÍAS DE COMERCIABILIDAD O IDONEIDAD PARA UN PROPÓSITO O USO ESPECÍFICO, LAS CUALES QUEDAN EXCLUIDAS. Todas las garantías implícitas, incluyendo las garantías de comerciabilidad o idoneidad para un propósito específico, que no se puedan excluir bajo la ley estatal, están limitadas al período de garantía aplicable definido al comienzo de este artículo. El remedio único y exclusivo en conexión con la compra, instalación, uso y/o rendimiento de los productos EGO es la reparación o el reemplazo del producto tal y como lo determine Chervon North America. La responsabilidad máxima de North America no excederá en ningún caso el precio de compra pagado por el producto. CHERVON NORTH AMERICA NO SERÁ RESPONSABLE ANTE EL USUARIO NI ANTE NADIE MÁS POR DAÑOS EMERGENTES, INCIDENTALES, ESPECIALES, EJEMPLARES, INDIRECTOS O PUNITIVOS QUE SURJAN DEL USO DE LOS PRODUCTOS, INCLUYENDO, PERO SIN LIMITARSE A ELLO, LESIONES CORPORALES, MUERTE, DAÑOS MATERIALES, GANANCIAS PERDIDAS U OTROS PERJUICIOS ECONÓMICOS. Esta garantía le confiere a usted derechos legales específicos y es posible que usted tenga también otros derechos que varían de un estado a otro. Algunos estados no permiten limitaciones en cuanto a la duración de una garantía implícita, la exclusión o limitación de los daños incidentales o emergentes, o las limitaciones al tiempo para emprender ciertas acciones legales, por lo que las limitaciones contenidas en el presente documento no se aplican a los consumidores individuales de esos estados.



Esta garantía está sujeta a la ley de Michigan y se interpretará de acuerdo con dicha ley, con independencia de los principios sobre conflictos de leyes. No se emprenderá ninguna acción legal contra Chervon North America a menos que se presente dentro del plazo de un (1) año después de que se tenga conocimiento de la base de dicha acción legal o de la cual se debiera haber tenido conocimiento con el ejercicio de una diligencia razonable. Se considerará que se ha renunciado a cualquier acción legal que no se presente oportunamente.

Para obtener servicio al cliente, contáctenos llamando gratis al **1-855-EGO-5656** o en **EGOPOWERPLUS.COM**.

EGO Customer Service,  
769 Seward Ave. NW, Suite 102,  
Grand Rapids, Michigan 49504.

09/2024

**112**

SOPLADOR TIPO MOCHILA COMERCIAL DE ION LITIO DE 56 V — LBPX8010/LBPX8010-FC