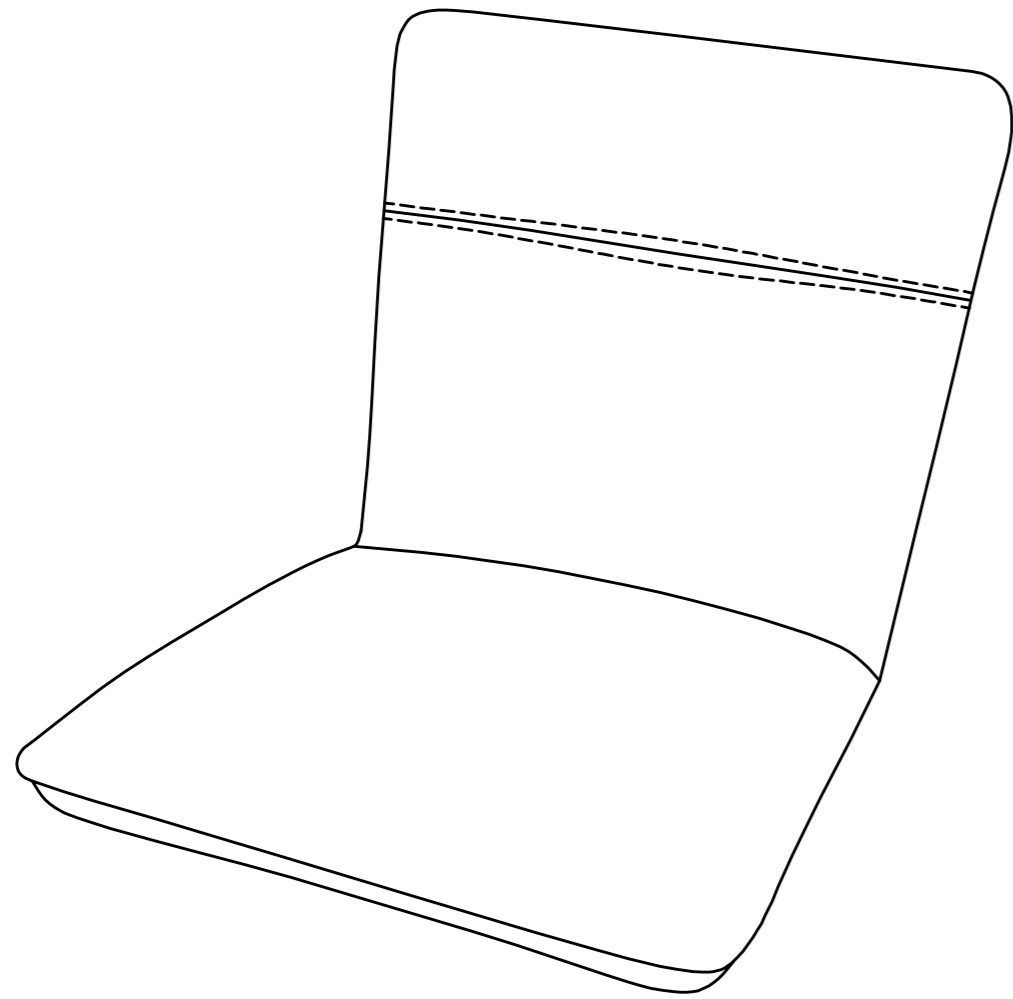


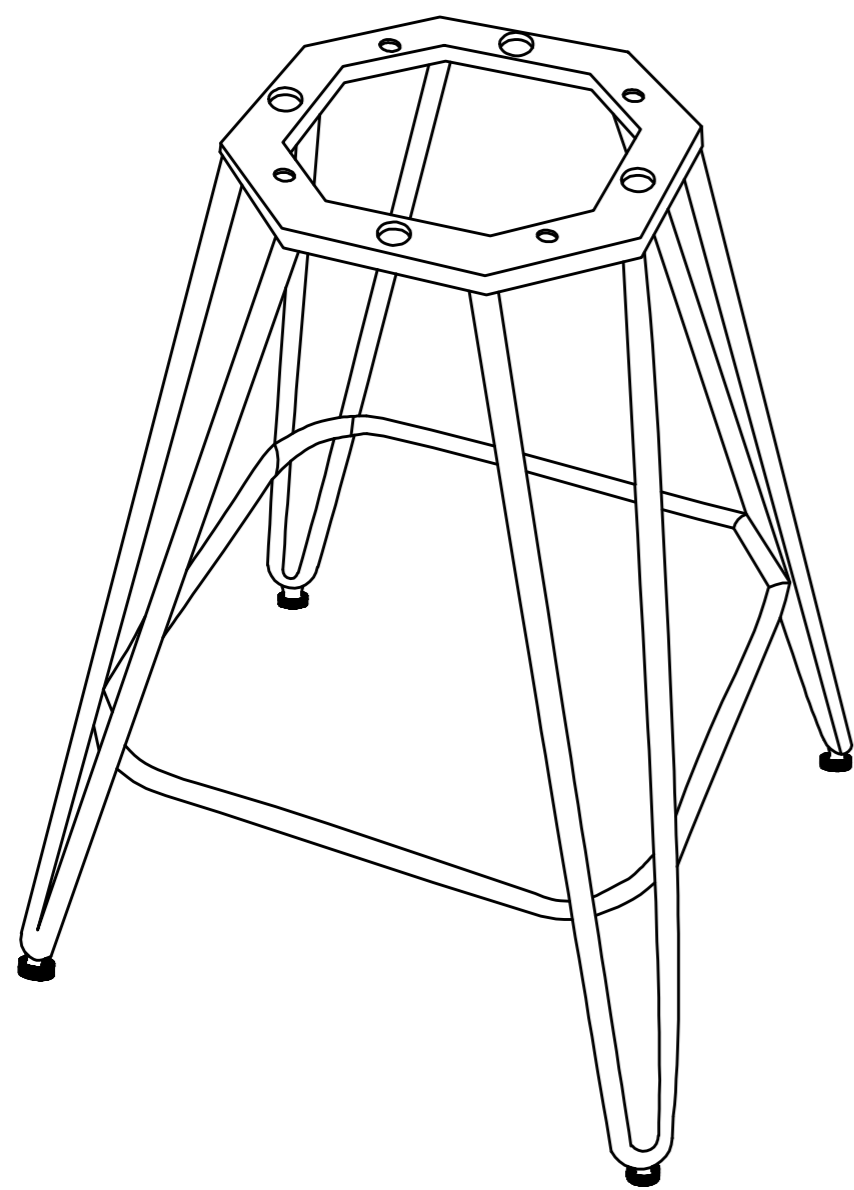
DEMI COUNTER STOOL ASSEMBLY INSTRUCTIONS



A. SEAT 1PC



B. BASE 1PC

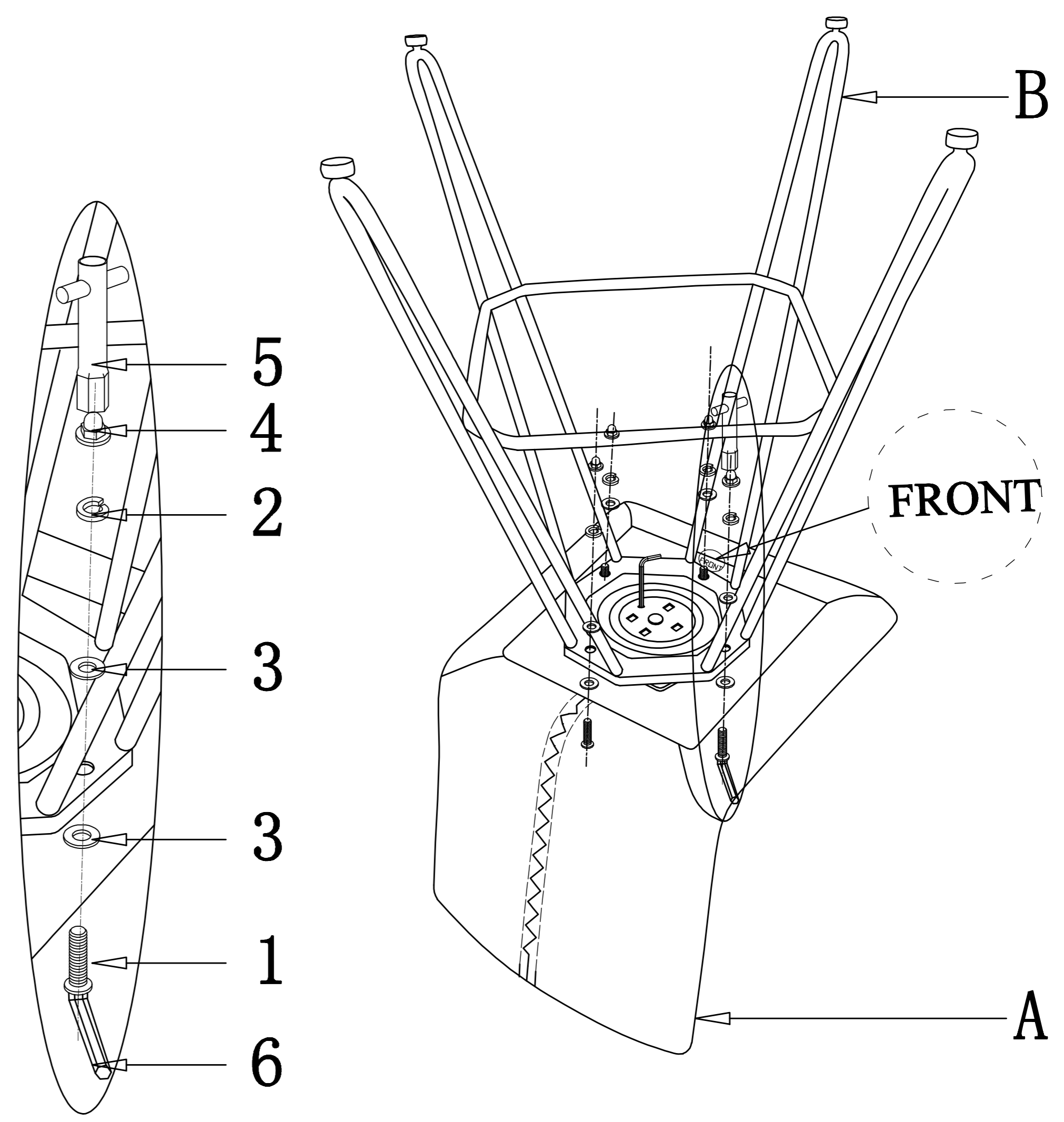
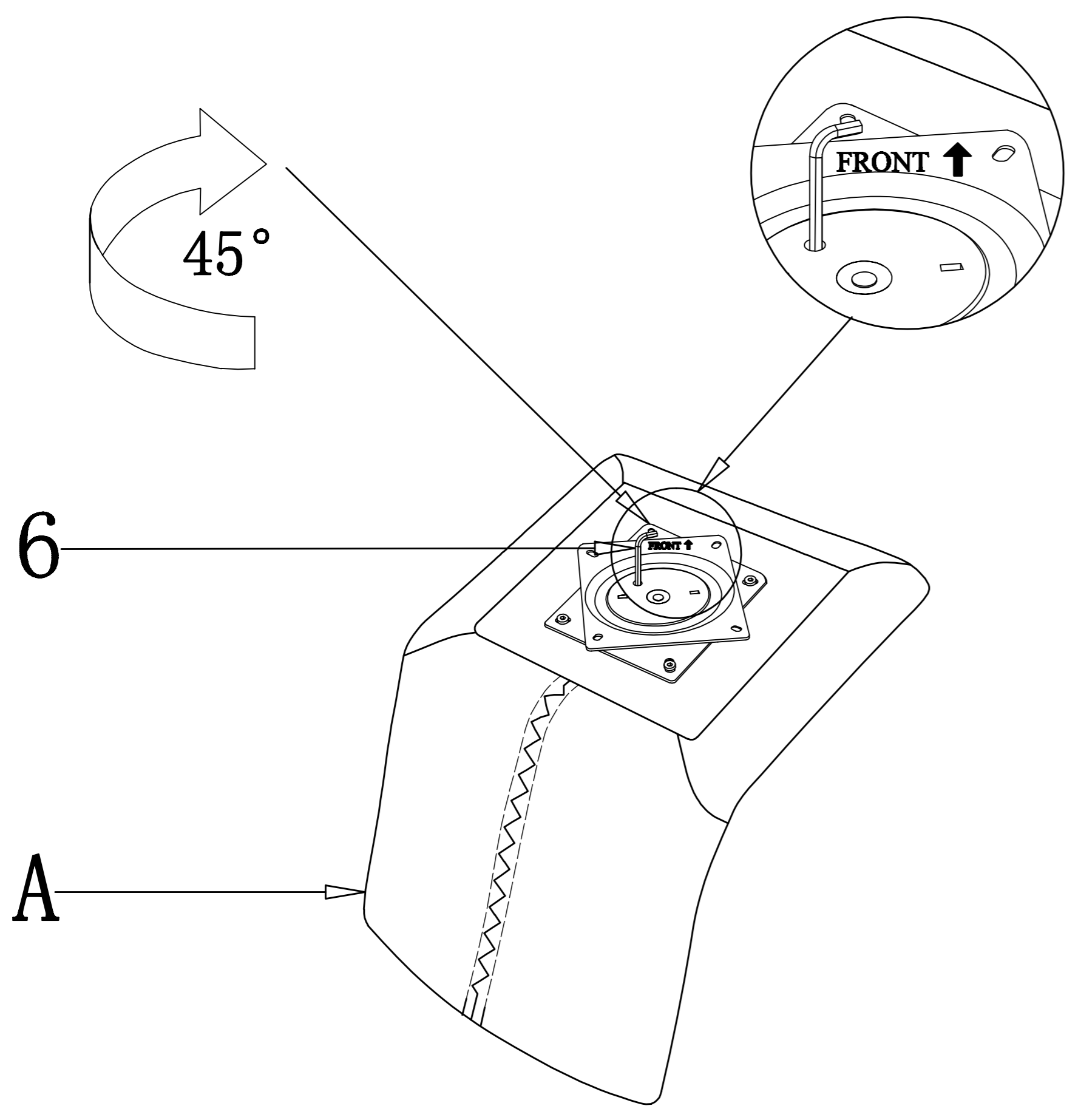


HARDWARE PACKED IN BOX

1	ALLEN BOLT (M6*25)	4 PCS	2	LOCK WASHER (M6)	4 PCS	3	FLAT WASHER (M6)	8 PCS	4	ACORN NUT (M6)	4 PCS	5	SPANNER	01 PC	6	ALLEN KEY	2 PCS

STEP 1. WITH THE SEAT (A) UPSIDE DOWN ROTATE THE SWIVEL MECHANISM CLOCKWISE PAST 45 DEGREES AND INSERT THE ALLEN KEY (6) INTO THE KEYHOLE. SLOWLY ALLOW THE MECHANISM TO TURN BACK TO ITS RESTING POSITION. THE ALLEN KEY SHOULD CATCH ON THE MECHANISM LOCKING THE SWIVEL AT 45 DEGREES.

STEP 2: WITH THE FRONT OF THE BASE (B) LINED UP WITH THE FRONT OF THE SWIVEL MECHANISM, ATTACH THE TWO COMPONENTS PER THE ILLUSTRATION WITH FOUR ALLEN BOLTS (1), EIGHT FLAT WASHERS (3), FOUR LOCK WASHERS (2) AND FOUR ACORN NUTS(4). TIGHTEN COMPLETELY WITH THE SECOND ALLEN KEY AND SPANNER (5).



STEP 3. WHEN ALL BOLTS ARE COMPLETELY TIGHTENED, REMOVE THE ALLEN KEY FROM THE SWIVEL MECHANISM AND FLIP THE CHAIR RIGHTSIDE UP.

ASSEMBLY COMPLETE

