



*ASSEMBLY INSTRUCTIONS  
COASTER FINE FURNITURE*



**551511**  
**ARMLESS CHAIR**

REVISION 0 : 05/17/2019  
REVISION 1 : 01 /09/2020  
REVISION 2 : 03/13/2020

**PAGE 1 OF 4**

[COASTERFURNITURE.COM](http://COASTERFURNITURE.COM)

ITEM: 551511

ASSEMBLY INSTRUCTIONS



Assembly Instruction

ASSEMBLY TIPS:

- 1. Remove hardware from box and sort by size.
- 2. Please check to see that all hardware and parts are present prior to start of assembly.
- 3. Please follow attached instructions in the same sequence as numbered to assure fast & easy assembly.

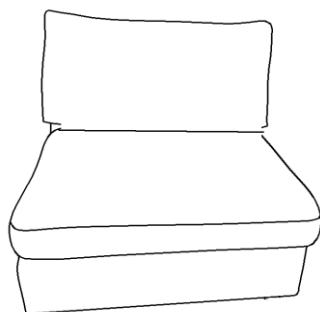


Warning !

- 1. Do not attempt to repair or modify parts that are broken or defective. Please contact the store immediately.
- 2. This product is for home use only and intended for commercial establishment.

PARTS IDENTIFICATION

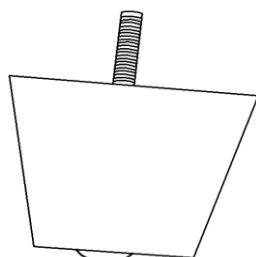
A



CHAIR

1PC

B



LEG

4PCS

C



PILLOW

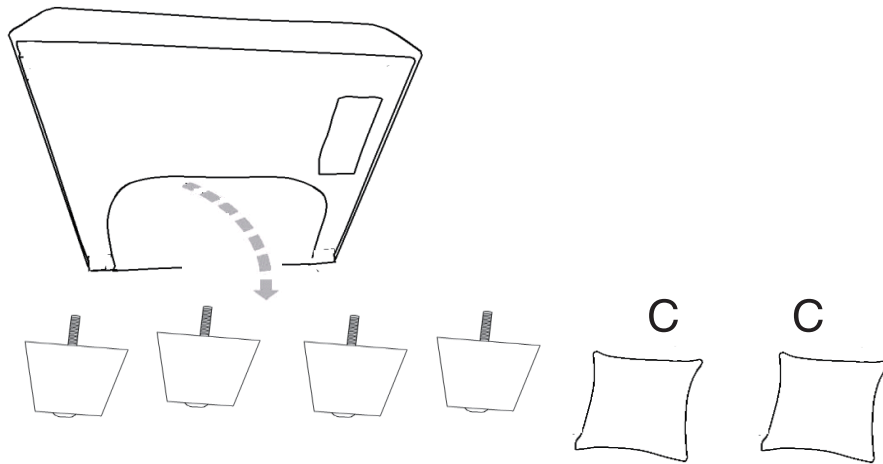
2PCS

ITEM: 551511

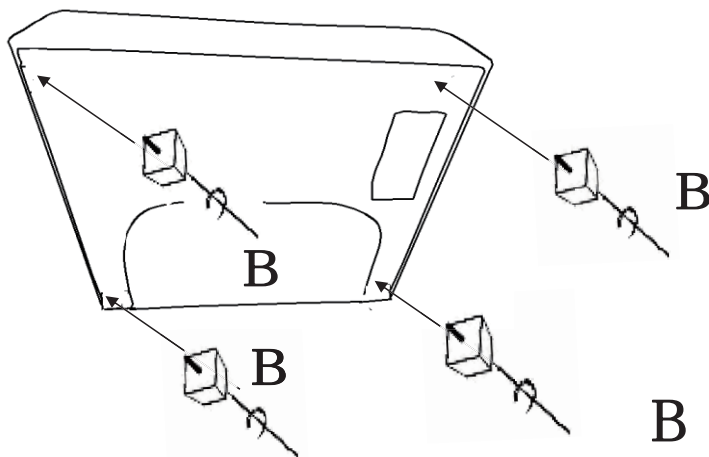
ASSEMBLY INSTRUCTIONS



STEP 1

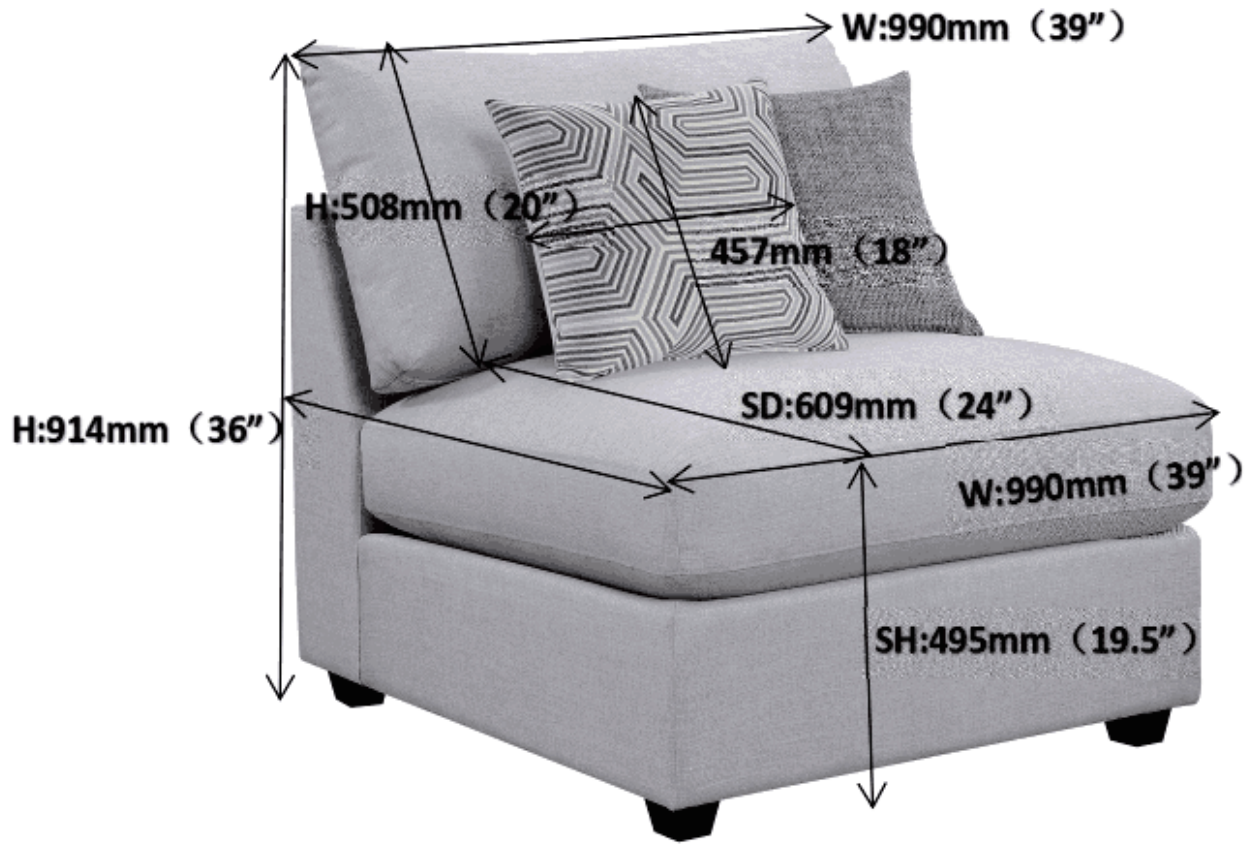


STEP 2



STEP 3





Note : Dimension tolerance  $\pm 5\%$



*ASSEMBLY INSTRUCTIONS  
COASTER FINE FURNITURE*



**551512  
CORNER**

REVISION 0 : 05/17/2019  
REVISION 1 : 01/09/2020  
REVISION 2 : 03/13/2020

**PAGE 1 OF 4**

[COASTERFURNITURE.COM](http://COASTERFURNITURE.COM)

ITEM: 551512

ASSEMBLY INSTRUCTIONS



Assembly Instruction

ASSEMBLY TIPS :

- 1. Remove hardware from box and sort by size.
- 2. Please check to see that all hardware and parts are present prior to start of assembly.
- 3. Please follow attached instructions in the same sequence as numbered to assure fast & easy assembly.

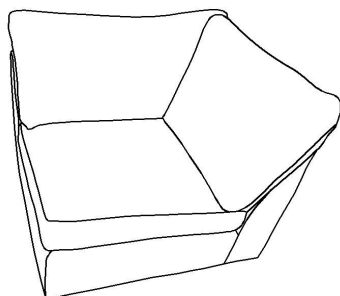


Warning !

- 1. Do not attempt to repair or modify parts that are broken or defective. Please contact the store immediately.
- 2. This product is for home use only and intended for commercial establishment.

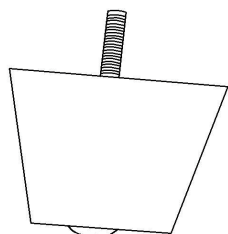
PARTS IDENTIFICATION

A



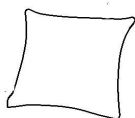
CORNER 1PC

B



LEG 4PCS

C



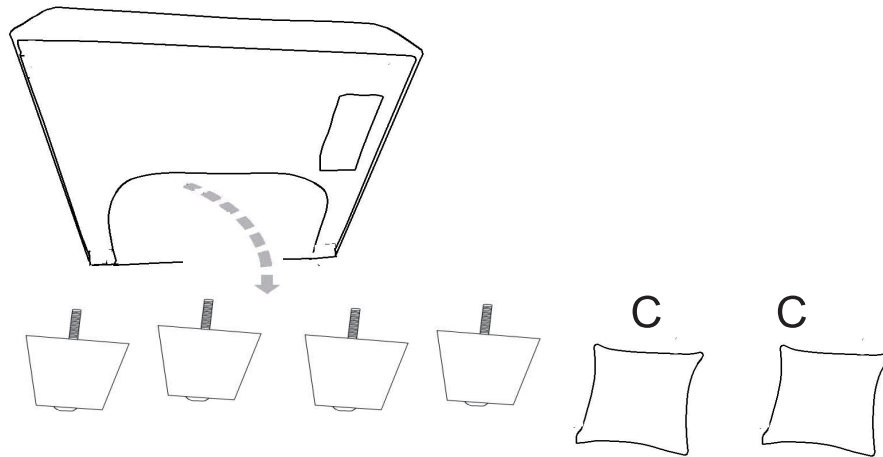
PILLOW 2PCS

ITEM: 551512

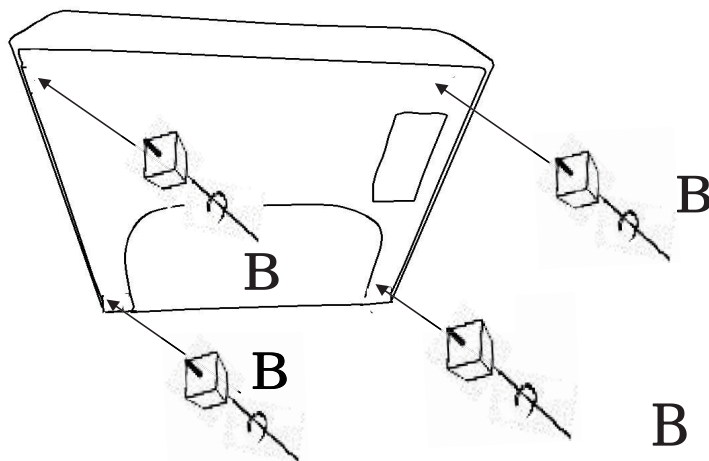
ASSEMBLY INSTRUCTIONS



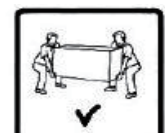
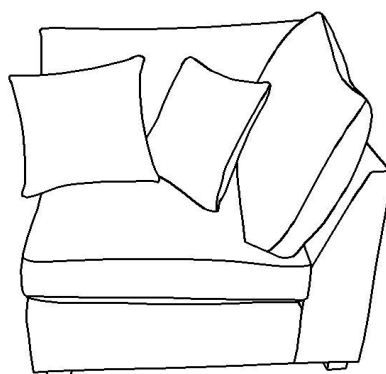
STEP 1

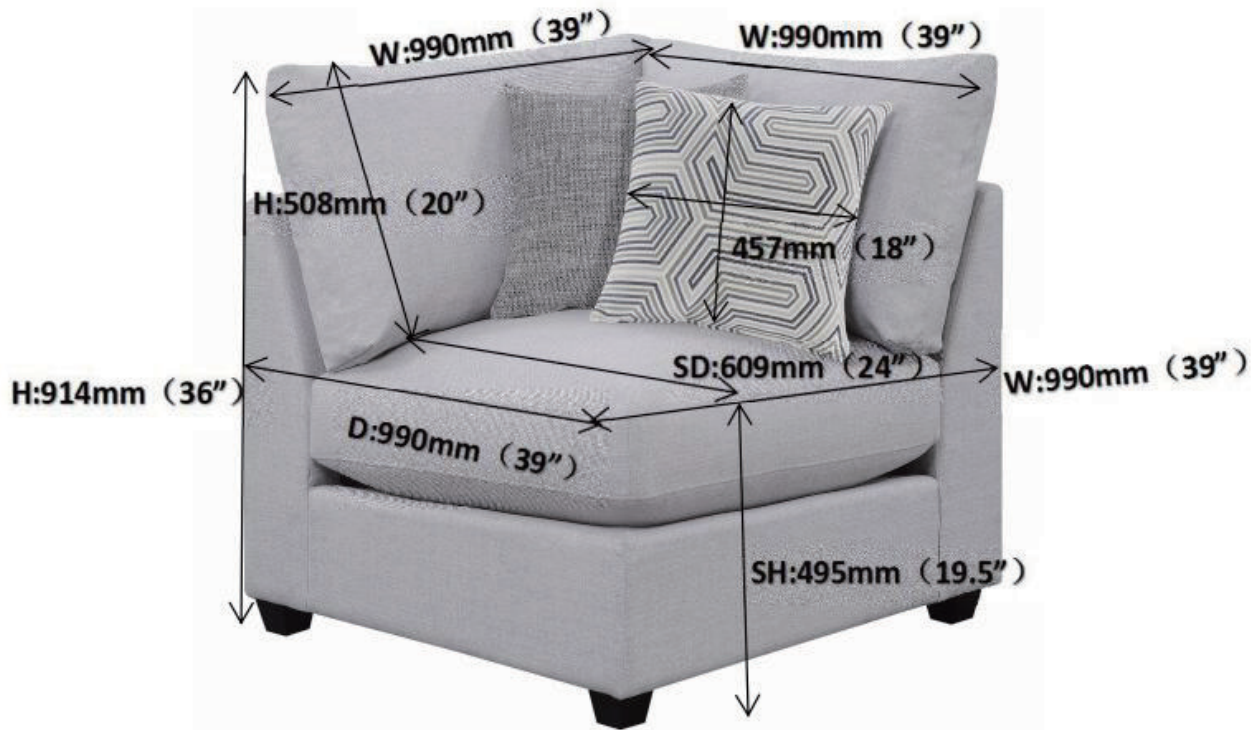


STEP 2



STEP 3





Note : Dimension tolerance  $\pm 5\%$





*ASSEMBLY INSTRUCTIONS  
COASTER FINE FURNITURE*



**551513**  
**STORAGE OTTOMAM**

ITEM: 551513

ASSEMBLY INSTRUCTIONS



Assembly Instruction

ASSEMBLY TIPS :

- 1. Remove hardware from box and sort by size.
- 2. Please check to see that all hardware and parts are present prior to start of assembly.
- 3. Please follow attached instructions in the same sequence as numbered to assure fast & easy assembly.

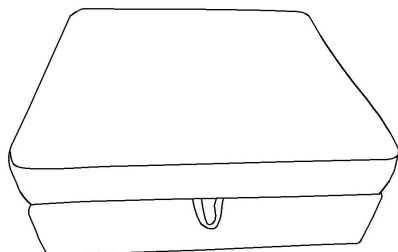


Warning !

- 1. Do not attempt to repair or modify parts that are broken or defective. Please contact the store immediately.
- 2. This product is for home use only and intended for commercial establishment.

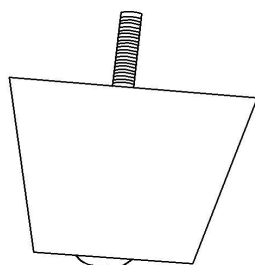
PARTS IDENTIFICATION

A



OTTOMA 1PC

B



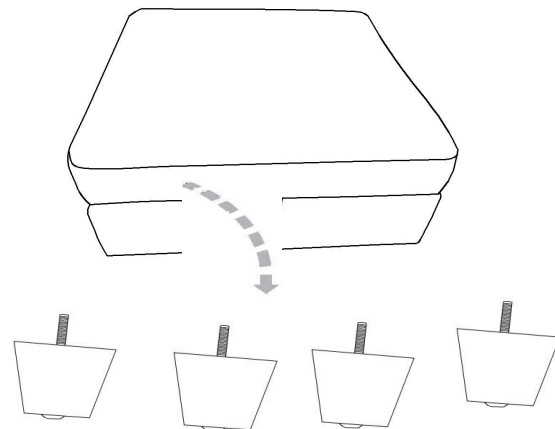
LEG 4PCS

ITEM: 551513

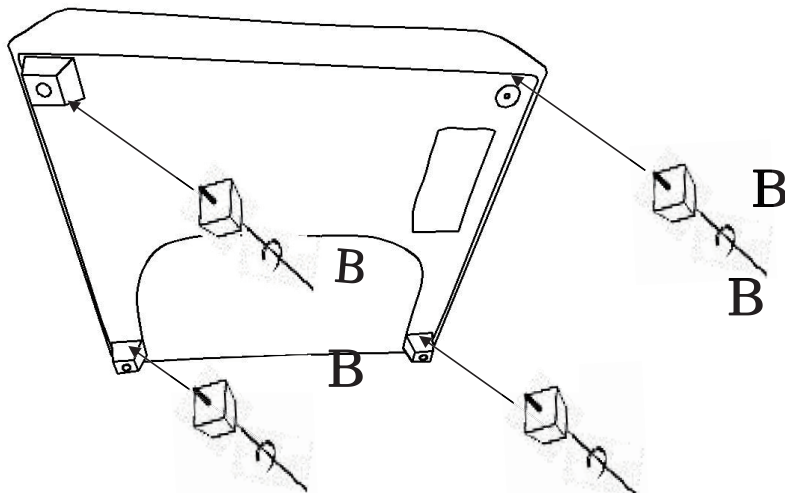
ASSEMBLY INSTRUCTIONS



STEP 1



STEP 2



STEP 3

