

# Café Minimal Series 30" Smart Built-In Convection Double Wall Oven in Platinum Glass

CTD90DM2NS5

C A F É

DISTINCT BY DESIGN™



## FEATURES & BENEFITS

Create an easy-to-clean, contemporary look for your kitchen with the striking reflective glass finish.

Simply **use your voice** to open the wall oven, so you can keep both hands on heavy dishes.

Monitor your food from your smart device thanks to a heat-resistant **in-oven camera**, which syncs to the SmartHQ app.

Simplify the cooking process with **precision cooking modes** that automatically track progress, and make time and temperature adjustments.

Integrated **hot air frying** technology gives you crispy results in your oven without using oil.

Make homemade chips, spices and dehydrated fruits more easily than ever with a **moisture-removing setting** in your oven.

Eliminate the need for preheating and save time with a variety of **precision cooking modes**.

This oven features **True European Convection**, an advanced convection system that uses a third heating element and reversing fan for the highest level of heat and air circulation.

A precision **temperature probe** connects to the oven to ensure your food is properly cooked.

This oven will fit your existing cut-out, or GE Appliances will help pay for modifications up to \$300.

## APPEARANCE

|                  |   |
|------------------|---|
| Color Appearance | Platinum Glass                                  |
| Handle           | Integrated                                      |
| Installation     | Above Warming Drawer; Side-by-Side; Flush Inset |

## FEATURES

|                           |  |
|---------------------------|--|
| Configuration             | Double Oven  |
| Cooking System            | True European Convection with Direct Air (Both Ovens)  |
| Oven Cleaning Type        | Self-Clean with Steam Clean Option   |
| Cleaning Time             | Variable with Delay Clean Option   |
| Oven Cooking Modes        | Convection Bake; Convection Bake Multi-Rack; Convection Broil Hi/Lo; Convection Roast; Hot-Air Frying; Precision Cooking Modes; Thermal Bake; Thermal Broil Hi/Lo  |
| Self-Clean Oven Door Lock | Automatic  |
| Control Type              | 7" Full-Color Touch LCD Screen   |
| Oven Features             | 10-Pass Bake Element; 10-Pass Dual Broil Element; Closed Door Broiling   |
| Oven Rack Features        | 2 Self-Clean Roller Racks (Both Ovens); 6 Embossed Rack Positions (Both Ovens)   |
| Oven Control Features     | 12-Hour Shut-Off Capability; Audible Preheat Signal; Auto Recipe Conversion; Certified Sabbath Mode; Control Lock Capability; Cook Time; C° or F° Programmable; Dehydration; Delay Time; Electronic Clock & Kitchen Timer; Mis-Wire Detection; Oven Camera; Proof Mode; Remote Enabled; Scan-to-cook; Temperature Probe; Warm Mode |
| WiFi Connect              | Built-In   |
| Connected Capabilities    | Amazon Alexa; The Google Assistant; IFTTT; Nest; Drop; Innit   |
| Cooking Technology        | Convection   |
| Oven Interior             | 2 Halogen Interior Oven Lights (Both Ovens); Black Gloss Finish; Hidden Bake   |

## CAPACITY

|                             |                       |
|-----------------------------|-----------------------|
| Capacity (Cu. Ft.)          | 5.0 Upper / 5.0 Lower |
| Total Capacity (cubic feet) | 10.0 cu ft            |

## POWER / RATINGS

|                    |                |
|--------------------|----------------|
| Amp Rating at 208V | 40             |
| Amp Rating at 240V | 40             |
| Bake Wattage       | 2,850W         |
| Broiler Wattage    | 3,300 / 1,000W |
| Convection Wattage | 2,400W         |
| KW Rating at 208V  | 6.8            |
| KW Rating at 240V  | 9              |

## WEIGHTS & DIMENSIONS

|                                     |                            |
|-------------------------------------|----------------------------|
| Approximate Shipping Weight         | 278 lb                     |
| Net Weight                          | 260 lb                     |
| Overall Height                      | 53 in                      |
| Overall Width                       | 29-3/4 in                  |
| Overall Depth                       | 26-3/4 in                  |
| Cabinet Width                       | 30 in                      |
| Cutout Dimensions (w x h x d) (in.) | 28-1/2 x 51-13/16 x 23-1/2 |
| Oven Interior Dimensions (lower)    | 25 x 17-3/8 x 20-1/4       |
| Oven Interior Dimensions (upper)    | 25 x 17-3/8 x 20-1/4       |

# Café Minimal Series 30" Smart Built-In Convection Double Wall Oven in Platinum Glass

CTD90DM2NS5

# CAFÉ

DISTINCT BY DESIGN™

## WARRANTY

|                |                                       |
|----------------|---------------------------------------|
| Parts warranty | Limited 1-year entire appliance       |
| Labor warranty | Limited 1-year entire appliance       |
| Warranty notes | See written warranty for full details |

## DIMENSIONS AND INSTALLATION INFORMATION

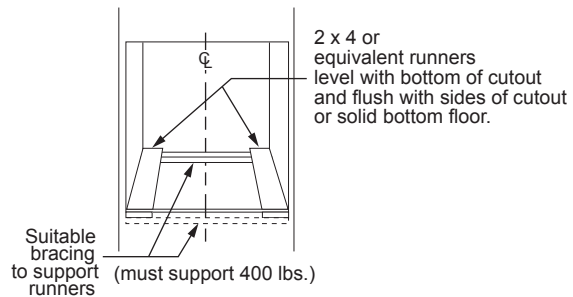
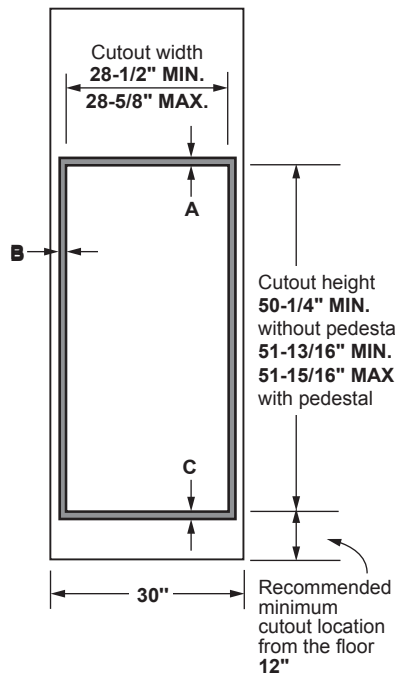
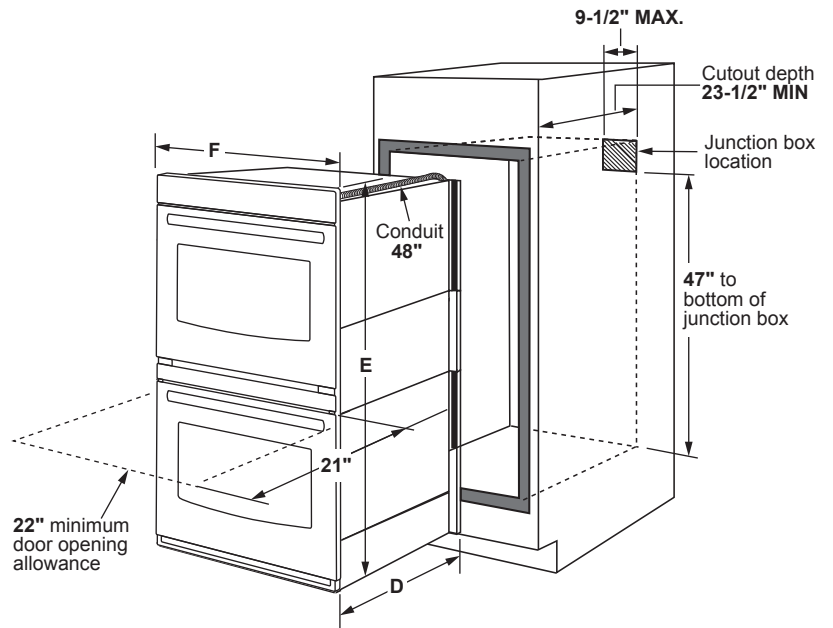
Wall coverings, countertops and cabinets surrounding the wall oven must be able to withstand a temperature of up to 200°F (94°C).

If the cabinet in which the wall oven is installed does not have a solid bottom, two braces or runners must be installed to support the weight of the oven. The runners and braces must support up to 400 lbs (181 kg).

Door handle protrudes 3" from door face. Cabinets and drawers on adjacent 45° and 90° walls should be placed to avoid interference with the handle.

**ATTENTION INSTALLER:** Electric wall ovens are NOT approved for installation with a plug and receptacle. They must be hard wired into an approved junction box.

**IMPORTANT:** Before installing, consult installation instructions packed with product for current dimensional data.



|  |         |
|--|---------|
| <b>Cabinet</b>                                   | 30"     |
| A - Overlap of oven at top of cutout             | 1"      |
| B - Overlap of oven other side of edge of cutout | 3/4"    |
| C - Overlap of oven at bottom of cutout          | 1-1/4"  |
| <b>Oven</b>                                      |         |
| D - Install depth                                | 23-1/2" |
| E - Overall height with trim                     | 53"     |
| F - Overall width                                | 29-3/4" |

Dimension and installation information are shown in inches.

# Café Minimal Series 30" Smart Built-In Convection Double Wall Oven in Platinum Glass

CTD90DM2NS5

C A F É

DISTINCT BY DESIGN™

## DIMENSIONS AND INSTALLATION INFORMATION

30" Double electric wall ovens are approved for installation above 27" and 30" warming drawers.

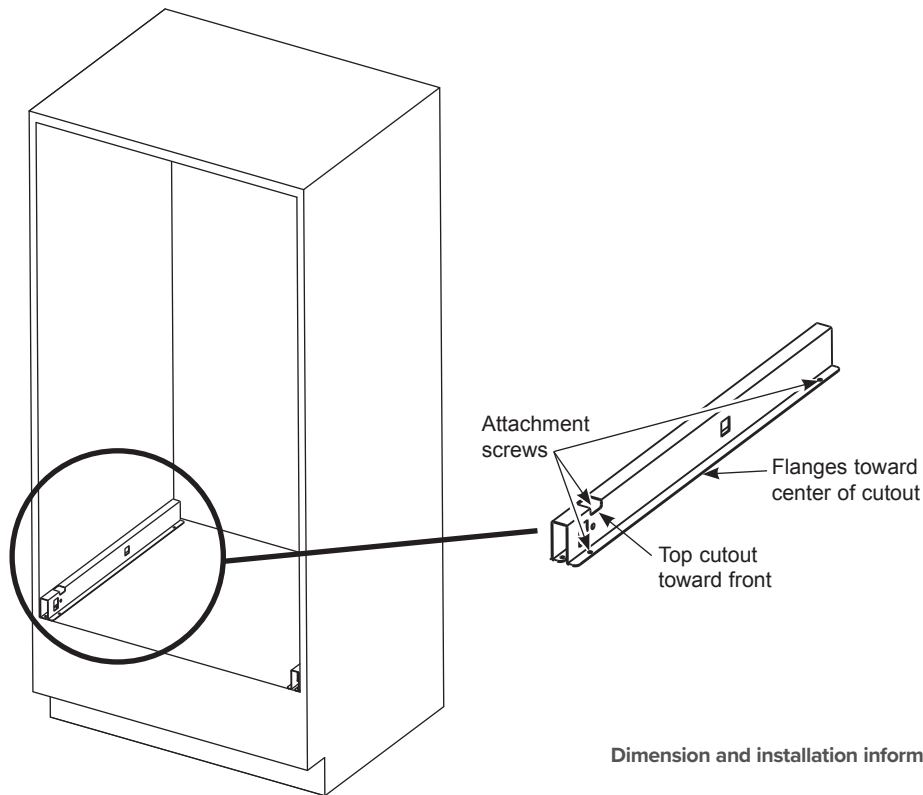
**WHEN TO USE THE PEDESTAL RAILS:** When replacing an older GE Appliances 30" double wall oven with a new GE Appliances model. Cutout Height = 51-13/16" to 51-15/16". This is our traditional cutout height.

**WHEN NOT TO USE THE PEDESTAL RAILS:** When replacing a 30" double wall oven from another manufacturer (ie; Whirlpool) with a new GE Appliances model. Cutout height = 50-1/4". You will need to verify that the existing cutout matches the 50-1/4" dimension.

If the new GE Appliances 30" double wall oven is being installed into new construction (ie; not a replacement), then the recommended installation is to use the pedestal rails.

**ATTENTION INSTALLER:** Electric wall ovens are NOT approved for installation with a plug and receptacle. They must be hard wired into an approved junction box.

**IMPORTANT:** Before installing, consult installation instructions packed with ALL products for current dimensional and combination data.



Dimension and installation information are shown in inches.

# Café Minimal Series 30" Smart Built-In Convection Double Wall Oven in Platinum Glass

CTD90DM2NS5

# CAFÉ

DISTINCT BY DESIGN™

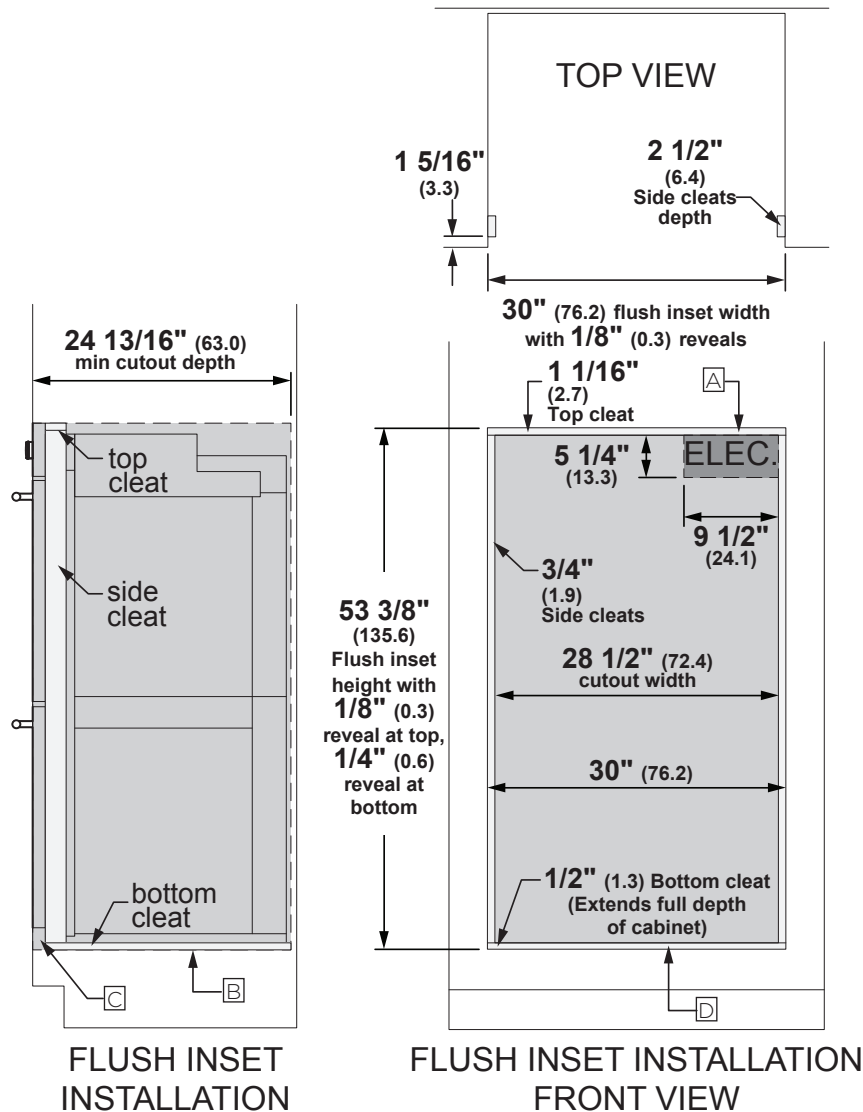
## FLUSH INSET DIMENSIONS AND INSTALLATION INFORMATION

### NOTES:

- A** Junction Box location (may also be located in an adjacent cabinet).
- B** Platform must be able to support 400 lbs (181 kg).
- C** Cabinet surfaces must be an appearance finished surface for flush installation.
- D** Cleats may be visible and should be finished to match cabinetry.

**ATTENTION INSTALLER:** Electric wall ovens are NOT approved for installation with a plug and receptacle. They must be hard wired into an approved junction box.

**IMPORTANT:** Before installing, consult installation instructions packed with ALL products for current dimensional and combination data.



Allow 1/8" (0.3) clearances from side edges of oven door.

Dimension and installation information are shown in inches.