

AERE UPH DINING CHAIR ASSEMBLY INSTRUCTIONS

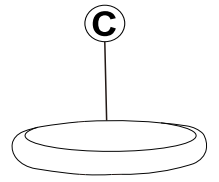
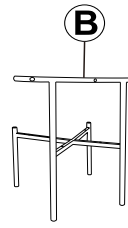
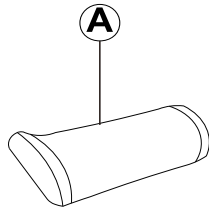


PARTS PACKING CONFIGURATIONS

A. BACK 2 PCS

B. LEG FRAME 2 PCS

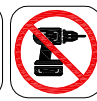
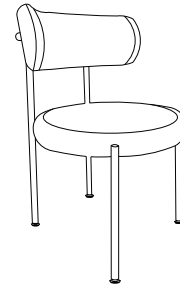
C. SEAT CUSHION 2 PCS



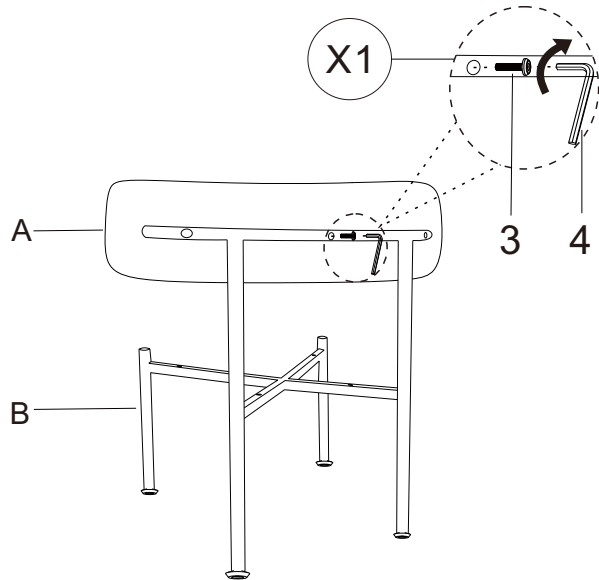
HARDWARE KIT PACKED IN BOX(FOR 2 CHAIRS)

NO.	DESCRIPTION	IMAGE	Q' TY
1	FLAT WASHER(5/16")		8 PCS
2	LOCK WASHER(5/16")		8 PCS
3	ALLEN BOLT(6x40mm)		14 PCS
4	ALLEN KEY(S4)		2 PCS

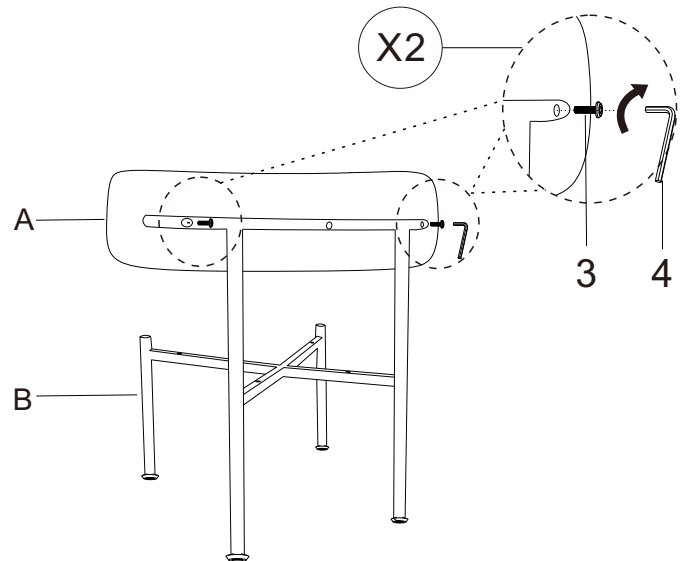
FULLY ASSEMBLED



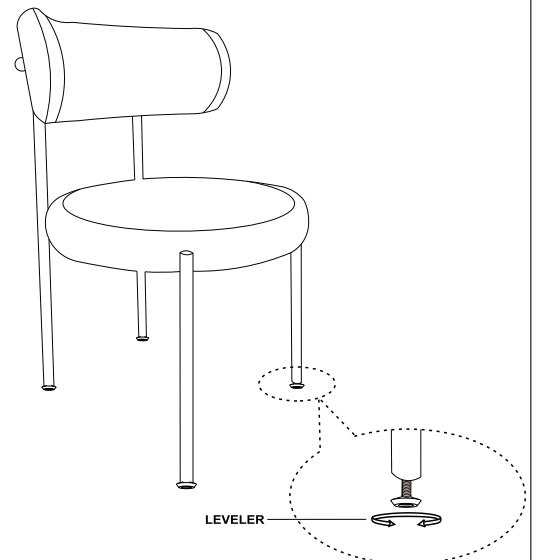
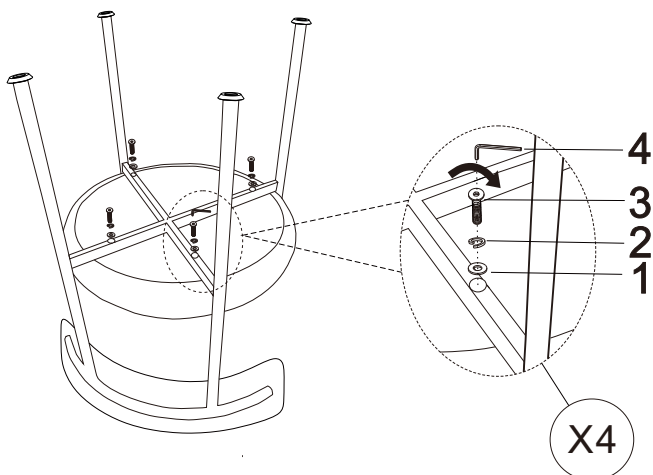
STEP 1:



STEP 2:



STEP 3:



ASSEMBLY COMPLETE