

# CAFÉ

DISTINCT BY DESIGN™

It's time appliances had a personality.  
Yours.



## Express Finish Toaster

**OWNER'S MANUAL**

**ENGLISH/FRANÇAIS**

**ESPAÑOL** - Para consultar una versión en español de este manual de instrucciones, visite nuestro sitio de internet [cafeappliances.com](http://cafeappliances.com).

**THANK YOU FOR MAKING CAFÉ A PART OF YOUR HOME.**

We take pride in the craftsmanship, innovation and design that goes into every Café product, and we think you will too. Among other things, registration of your appliance ensures that we can deliver important product information and warranty details when you need them.

Register your Café appliance now online. Helpful websites are available in the Consumer Support section of this Owner's Manual. You may also mail in the pre-printed registration card included in the packing material.

**C A F É**

---

DISTINCT BY DESIGN™

# Table of Contents

Model: C9TMA2S2PS3 / C9TMA2S3PD3 / C9TMA2S4PW3

- SAFETY INFORMATION** .....4
- CONTROLS** ..... 5
- USING THE TOASTER** ..... 6
- CARE AND CLEANING** ..... 6
- TROUBLESHOOTING** .....7
- LIMITED WARRANTY** .....8
- CONSUMER SUPPORT** ..... 9

# IMPORTANT SAFETY INFORMATION

## READ ALL INSTRUCTIONS BEFORE USING THE APPLIANCE

### **⚠ WARNING**

Read all safety instructions before using the product. Failure to follow these instructions may result in fire, electrical shock, serious injury, or death.

## GENERAL SAFETY INSTRUCTIONS

- **Read all instructions.**
- Use this appliance only for its intended purpose as described in the Owner's Manual.
- **⚠ WARNING** To prevent electrical shock, unplug before cleaning.
- **To reduce the risk of fire or electric shock, operate with crumb tray in place.**
- A fire may occur if the toaster is covered or touching flammable material, including curtains, draperies or walls, when in operation.
- Before performing any service, unplug the toaster.
- Do not operate unattended.
- Do not leave children alone—children should not be left alone or unattended in an area where an appliance is in use.
- Do not touch hot surfaces. Use lever or knobs.
- Do not touch the heating elements, toaster opening, or interior surface of toaster during or after use. Allow to cool before cleaning or handling. These surfaces may be hot enough to burn.
- To protect against fire, electric shock and injury to persons do not immerse cords, plugs or appliance in water or other liquid.
- Unplug from outlet when not in use and before cleaning. Allow to cool before putting on or taking off parts, and before cleaning the appliance.
- Do not operate any appliance with a damaged cord or plug, or after the appliance malfunctions or has been damaged in any manner. Contact Consumer Support.
- The use of accessory attachments not recommended by the appliance manufacturer may cause injuries.
- Do not use outdoors.
- Do not let cord hang over edge of table or counter, or touch hot surfaces.
- Do not place on or near a hot gas or electric burner, or in a heated oven.
- Do not use this appliance for anything other than intended use.
- Oversized foods, metal foil packages, or utensils must not be inserted in a toaster, as they may create a risk of fire or electric shock.
- Do not attempt to dislodge food when toaster is plugged in.
- When heating toaster pastries, always use the lightest toast color setting.

### **⚠ WARNING**

#### **KEEP FLAMMABLE MATERIALS AWAY FROM THE TOASTER**

Failure to do so may result in fire or personal injury.

- Do not store or use flammable materials in a toaster or near the toaster opening, including paper, plastic, pot holders, linens, wall coverings, curtains, drapes and gasoline or other flammable vapors and liquids.
- Never wear loose-fitting or hanging garments while using the appliance. These garments may ignite if they contact hot surfaces causing severe burns.

### **⚠ WARNING**

#### **TAMPER-RESISTANT SCREW**

This appliance is equipped with a tamper-resistant screw to prevent removal of the outer cover. To reduce the risk of fire or electric shock, do not attempt to remove the outer cover. There are no user-serviceable parts inside. Repair should be done only by an authorized service personnel.

#### **POLARIZED PLUG**

This appliance has a polarized plug (one blade is wider than the other). To reduce the risk of electric shock, this plug is intended to fit into a polarized outlet only one way. If the plug does not fit fully into the outlet, reverse the plug. If it still does not fit, contact a qualified electrician. Do not attempt to modify the plug in any way.

#### **ELECTRICAL CORD**

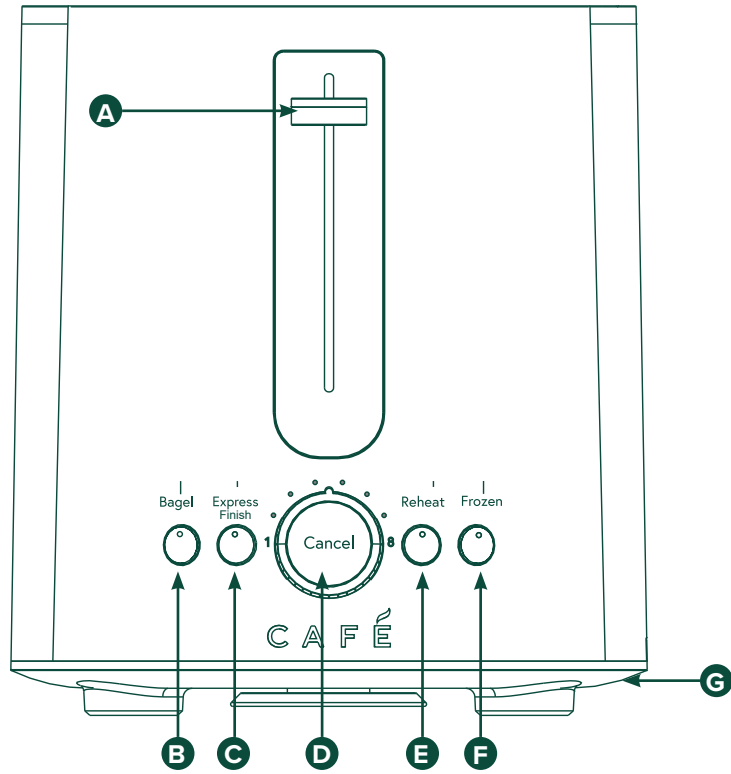
**NOTE:** If the power cord is damaged, please contact the warrantor listed in the back of this manual.

- A short power-supply cord (or detachable power-supply cord) is provided to reduce the risk resulting from becoming entangled in or tripping over a longer cord.
- Longer detachable power-supply cords or extension cords are available and may be used if care is exercised in their use.
- If a longer detachable power-supply cord or extension cord is used:
  - The marked electrical rating of the cord set or extension cord should be at least as great as the electrical rating of the appliance.
  - The cord should be arranged so that it will not drape over the countertop or tabletop where it can be pulled on by children or tripped over unintentionally.
  - If the appliance is of the grounded type, the cord set or extension cord should be a grounding-type-3-wire cord.

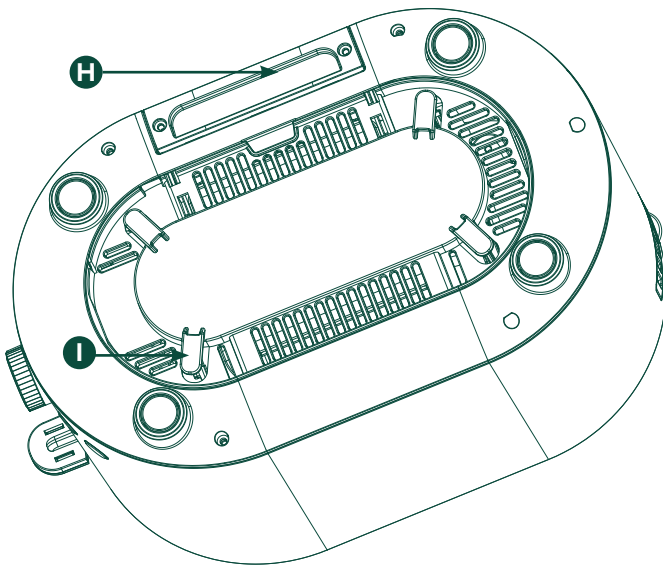
## READ AND SAVE THESE INSTRUCTIONS

# Controls

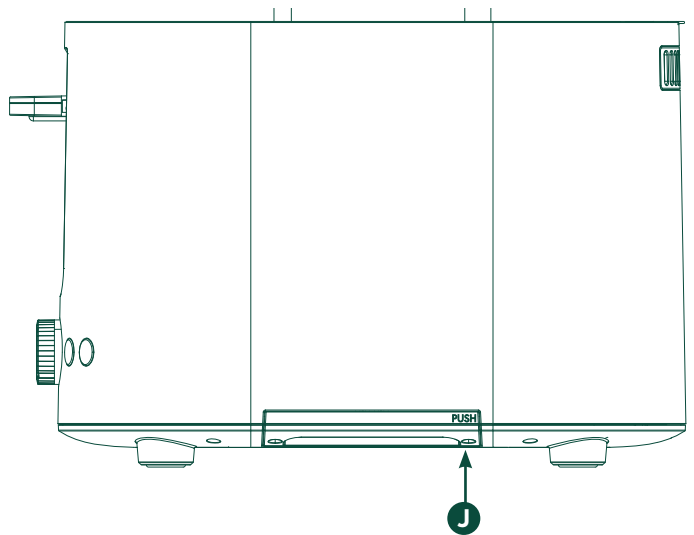
Front View



Bottom View



Side View



- A** Lever
- B** Bagel Button
- C** Express Finish Button
- D** Cancel Button / Toasting Knob
- E** Reheat Button

- F** Frozen Button
- G** Base
- H** Crumb Tray
- I** Cord Wrap
- J** PUSH to open Crumb Tray

# Using the Toaster

## Getting Started

**This appliance is for household use only.**

- Remove all packing materials, any stickers and the plastic band around the power plug.
- To register your product, go to [cafeappliances.com](http://cafeappliances.com).
- Wash all parts as instructed in Care and Cleaning section.
- Select a level surface where this unit is to be used allowing enough space for steam to escape without damage to counters, cabinets and walls.
- Set the browning level to maximum (8). Operate the appliance empty, to cure the new elements. This may smell a bit, but it's nothing to worry about. Ensure the room is well ventilated.

## Toasting Bread

1. Set the toaster upright on a firm, level, heat-resistant surface.
2. Put the plug into the power socket.
3. Turn the browning control to the required setting (1 = light, 8 = dark).
4. Put bread into the toasting slots (maximum thickness 25mm).
5. Press the lever down fully. It won't lock down unless the toaster is connected to the electricity supply.

# Care and Cleaning

Follow these guidelines for cleaning and caring for your Toaster:

- Unplug the appliance and let it cool down.
- To remove crumbs from the appliance, gently slide out the crumb tray from the appliance and empty it. Replace tray when finished.
- Do not insert foreign objects into slots.

### ▲ CAUTION

- Do not hold the appliance upside down and do not shake it to remove the crumbs.

## Frozen Bread

1. Leave the browning control at your preferred setting, insert the frozen bread, lower the lever, then press the "Frozen" button.
2. The light will come on.
3. The toast will pop up when ready.

## Bagels

1. Insert sliced bagel into the slots with cut side toward the outside of the toaster.
2. Leave the browning control at your preferred setting, lower the lever, then press the "Bagel" button.
3. The bagel will pop up when ready.

## Express Finish

*Express Finish will activate extra heating elements on your bread, toasting faster than the regular toasting function. Individual toasting levels may vary on the type of bread and how it is stored.*

1. Insert sliced bread into toasting slots and select preferred toasting shade.
2. Lower the lever then press the Express Finish button.
3. Toast will pop up when ready.

## Cancel

Pressing the "Cancel" button will stop toasting.

## Crumb Tray

The crumb tray is located on the right hand side of the toaster. Push to release it from the toaster and pull out to discard any crumbs, debris. Insert crumb tray by pushing all the way back into the unit.

- Clean the body of the appliance with a damp cloth.
- **DANGER:** Never immerse the appliance in water or a dishwasher.

### ▲ CAUTION

- Never use scouring pads, abrasive cleaning agents or aggressive liquids such as petrol or acetone to clean the appliance.

### ▲ CAUTION

- Any other servicing should be performed by an authorized service representative.

# Troubleshooting

Save time and money! Review the charts on the following pages first and you may not need to visit the website for service.

<b>Problem</b>	<b>Solution</b>
The toaster does not work	Make sure plug is properly inserted into the wall.
Bread gets stuck in appliance	Unplug the appliance and let it cool down. Carefully remove the bread from the toaster. Take care not to damage the heating elements when you remove the bread. Never use a metal object for this purpose.
Toast is too light/too dark	Check the browning setting selected for toasting. Select a lower setting next time if your toast is too dark and a higher setting if your toast is too light. Also check that the frozen button is not selected.
The bread pops up almost immediately without having been toasted.	Make sure you push down the toasting lever all the way.
Smoke comes out of the toaster.	Push the cancel button to stop the toasting process. Empty crumb tray if it is full and clean if needed.
The cord is damaged.	If the cord to this appliance is damaged, it must always be replaced by a service center.

# Limited Warranty

## Problems with your unit/How to get service:

If your appliance fails to operate properly while in use under normal household conditions within the warranty period, visit [cafeappliances.com/contact](http://cafeappliances.com/contact) for product **care/maintenance self-help**.

## How to initiate a warranty claim:

Visit [cafeappliances.com/contact](http://cafeappliances.com/contact) for options to initiate a warranty claim. Return and packing instruction information will be provided at that time.

For the Period of:	Café Appliances Covers
<b>One Year</b> From the date of the original purchase	If the appliance fails due to a defect in materials or workmanship, during the <b>limited one-year warranty</b> , GE Appliances will either replace or refurbish your product with a new or remanufactured product, or refund the purchase price of the product at GE Appliances sole discretion.

### What Café Appliances Will Not Cover:

- Failure of the product if it is abused, misused, or used for other than the intended purpose or used commercially.
- Damage caused after delivery.
- Damage to the product caused by accident, fire, floods or acts of God.
- Incidental or consequential damage caused by possible defects with this appliance.
- Replacement of house fuses or resetting of circuit breakers.

### EXCLUSION OF IMPLIED WARRANTIES

Your sole and exclusive remedies are product exchange or refund as provided in this Limited Warranty. Any implied warranties, including the implied warranties of merchantability or fitness for a particular purpose, are limited to one year or the shortest period allowed by law.

For sale in the 50 United States and the District of Columbia only: For US Customers: This limited warranty is extended to the original purchaser for products purchased for home use within the USA.

Some states do not allow the exclusion or limitation of incidental or consequential damages. This warranty gives you specific legal rights, and you may also have other rights which vary from state to state. To know what your legal rights are, consult your local or state consumer affairs office or your state's Attorney General.

**Warrantor: GE Appliances, a Haier company**  
**Louisville, KY 40225**

For Customers in Canada: This limited warranty is extended to the original purchaser and any succeeding owner for products purchased in Canada for home use within Canada. In-home warrant service will be provided in areas where it is available and deemed reasonable by Mabe to provide.

**Warrantor Canada: MC Commercial, Burlington, Ontario, L7R 5B6**



# Consumer Support

## CAFÉ WEBSITE

Have a question or need assistance with your appliance? Try the Café Appliances Website 24 hours a day, any day of the year! You can also shop for more great Café Appliances products and take advantage of all our on-line support services designed for your convenience. [cafeappliances.com](http://cafeappliances.com)

---

## REGISTER YOUR APPLIANCE

Register your new appliance on-line at your convenience! Timely product registration will allow for enhanced communication and prompt service under the terms of your warranty, should the need arise. You may also mail in the pre-printed registration card included in the packing material. [cafeappliances.com/register](http://cafeappliances.com/register)

---

## PARTS AND ACCESSORIES

Individuals qualified to service their own appliances can have parts or accessories sent directly to their homes (VISA, MasterCard and Discover cards are accepted). Order on-line today 24 hours every day.

[cafeappliances.com/parts](http://cafeappliances.com/parts)

**Instructions contained in this manual cover procedures to be performed by any user. Other servicing generally should be referred to qualified service personnel. Caution must be exercised, since improper servicing may cause unsafe operation.**

---

## CONTACT US

If you are not satisfied with the service you receive from Café Appliances, contact us on our Website with all the details including your phone number, or write to: General Manager,

General Manager, Customer Relations | GE Appliances, Appliance Park | Louisville, KY 40225

[cafeappliances.com/contact](http://cafeappliances.com/contact)

C A F É

---

DISTINCT BY DESIGN™

# CAFÉ

DISTINCT BY DESIGN™

Il est temps que les électroménagers se dotent d'une personnalité.  
La vôtre.



**Finition express grille-pain**  
**MANUEL D'UTILISATION**  
**FRANÇAIS**

## **NOUS VOUS REMERCIONS D'ACCUEILLIR CAFE CHEZ VOUS**

Que vous ayez grandi avec Cafe ou qu'il s'agisse de votre première acquisition, nous sommes heureux de vous accueillir dans notre famille.

Nous sommes fiers du savoir-faire, de l'innovation et de l'esthétique qui composent chaque appareil Cafe, et nous pensons que vous le serez aussi. Dans cette optique, nous vous rappelons que l'enregistrement de votre électroménager vous assure la communication de renseignements importants sur le produit et la garantie lorsque vous en avez besoin.

**C A F É**

---

**DISTINCT BY DESIGN™**

# Table des matières

Modèles: C9TMA2S2PS3 / C9TMA2S3PD3 / C9TMA2S4PW3

<b>CONSIGNES DE SÉCURITÉ IMPORTANTES</b> .....	4
<b>COMPOSANTS</b> .....	5
<b>UTILISATION DU GRILLE-PAIN</b> .....	6
<b>ENTRETIEN ET NETTOYAGE</b> .....	6
<b>DÉPANNAGE</b> .....	7
<b>GARANTIE LIMITÉE</b> .....	8
<b>ASSISTANCE CLIENTÈLE</b> .....	9

# CONSIGNES DE SÉCURITÉ IMPORTANTES

## LISEZ TOUTES LES INSTRUCTIONS AVANT D'UTILISER L'APPAREIL

**⚠ AVERTISSEMENT** Veuillez lire toutes les consignes de sécurité avant d'utiliser le produit. L'omission d'observer ces consignes peut poser un risque d'incendie, de choc électrique, de blessure grave ou fatale.

### CONSIGNES DE SÉCURITÉ GÉNÉRALES

- Lisez toutes les instructions.
- Utilisez cet électroménager uniquement aux fins dont il est fait mention dans ce manuel d'utilisation.
- Avant toute réparation, débranchez le grille-pain.
- Ne laissez pas d'enfants seuls ou sans surveillance dans la zone où cet électroménager est en cours d'utilisation.
- **⚠ ATTENTION** Ne rangez pas des articles qui attirent les enfants au-dessus ou derrière cet électroménager, un enfant qui grimpe sur le grille-pain pour atteindre un article peut se blesser gravement.
- Ne touchez les éléments chauffants ou la surface intérieure du grille-pain. Ces surfaces peuvent s'avérer suffisamment chaudes. Pendant et après l'utilisation, ne laissez pas refroidir suffisamment. D'autres surfaces de l'électroménager peuvent devenir suffisamment chaudes pour causer des brûlures. Les surfaces potentiellement chaudes comprennent les éléments chauffants intérieurs, le dessus, l'arrière et les fentes autour de l'orifice du grille-pain.
- Ne touchez pas les surfaces chaudes. Utilisez les poignées et les boutons.
- **⚠ ATTENTION** Pour vous protéger contre les incendies, les chocs électriques et les blessures corporelles, n'immergez pas le cordon, la fiche ou l'appareil dans l'eau ou d'autres liquides.
- Débranchez l'appareil de la prise lorsque vous ne l'utilisez pas ou avant le nettoyage. Laissez-le refroidir avant de poser ou retirer des pièces, et avant de le nettoyer.
- **⚠ ATTENTION** N'utilisez aucun électroménager dont le cordon ou la fiche sont endommagés ou s'il a subi une défectuosité ou un autre dommage. Contactez le soutien au consommateur.
- L'utilisation d'accessoires non recommandés par le fabricant peut occasionner des blessures.
- N'utilisez pas l'appareil à l'extérieur.
- Ne laissez pas le cordon pendre par-dessus le bord d'une table ou du comptoir, ni toucher des surfaces chaudes.
- Ne placez pas l'appareil près d'un four ou d'un brûleur à gaz ou électrique chauds.
- N'utilisez pas cet électroménager à des fins différentes de celles prévues.
- Vous ne devez pas insérer des aliments trop gros, des emballages en papier d'aluminium ou des ustensiles dans le grille-pain car ils posent un risque d'incendie ou de choc électrique.
- **⚠ ATTENTION** Un incendie peut se déclarer si le grille-pain est recouvert ou s'il touche à une matière inflammable, y compris des rideaux, des draperies, des murs ou des articles semblables en cours de fonctionnement.
- Ne tentez pas de déloger un aliment dans le grille-pain lorsque celui-ci est branché.
- **⚠ AVERTISSEMENT** Pour prévenir les chocs électriques, débranchez le grille-pain avant de le nettoyer.
- **⚠ AVERTISSEMENT** Pour réduire le risque d'incendie ou de choc électrique, utilisez le grille-pain avec le ramasse-miettes en place.
- Les enfants doivent être surveillés afin de s'assurer qu'ils ne jouent pas avec l'électroménager.
- Cet électroménager n'est pas conçu pour fonctionner au moyen d'une minuterie externe ou d'un système de télécommande distinct.
- Si une longue rallonge est utilisée, la puissance électrique marquée de la rallonge doit être au moins aussi élevée que la puissance électrique de l'appareil, et le cordon plus long doit être disposé de manière à ne pas tomber sur le comptoir ou la table où il peut être tiré par des enfants ou trébuché par inadvertance.

### **⚠ AVERTISSEMENT** GARDEZ LES MATIÈRES INFLAMMABLES À DISTANCE DU GRILLE-PAIN

L'omission de prendre cette précaution peut causer un incendie ou une blessure corporelle.

- Ne rangez ni n'utilisez des matières inflammables dans le grille-pain ou près de son orifice, y compris le papier, le plastique, les poignées ou mitaines de four, le linge de maison, le revêtement mural, les rideaux, les draperies, l'essence ou d'autres vapeurs ou liquides inflammables.
- Ne portez jamais de vêtements amples ou pendants lorsque vous utilisez l'électroménager. Ces vêtements peuvent prendre feu au contact de surfaces chaudes et causer des brûlures graves.

### **⚠ AVERTISSEMENT** VIS INDÉMONTABLE

Cet électroménager est doté d'une vis indémontable afin d'empêcher le retrait du couvercle extérieur. Afin de réduire le risque d'incendie ou de choc électrique, ne tentez pas de retirer le couvercle extérieur. Aucune pièce réparable par l'utilisateur ne se trouve à l'intérieur. Les réparations doivent être effectuées par un technicien en réparation autorisé seulement.

### FICHE POLARISÉE

Cet appareil est doté d'une fiche polarisée (une lame plus large que l'autre). Afin de réduire les risques d'électrocution, la fiche est conçue pour s'introduire dans la prise polarisée dans un sens seulement. Placez la fiche dans l'autre sens si elle refuse de s'introduire à fond dans la prise. S'il vous est toujours impossible d'insérer la fiche, contactez un électricien qualifié. Ne tentez pas de modifier la fiche de quelque façon que ce soit.

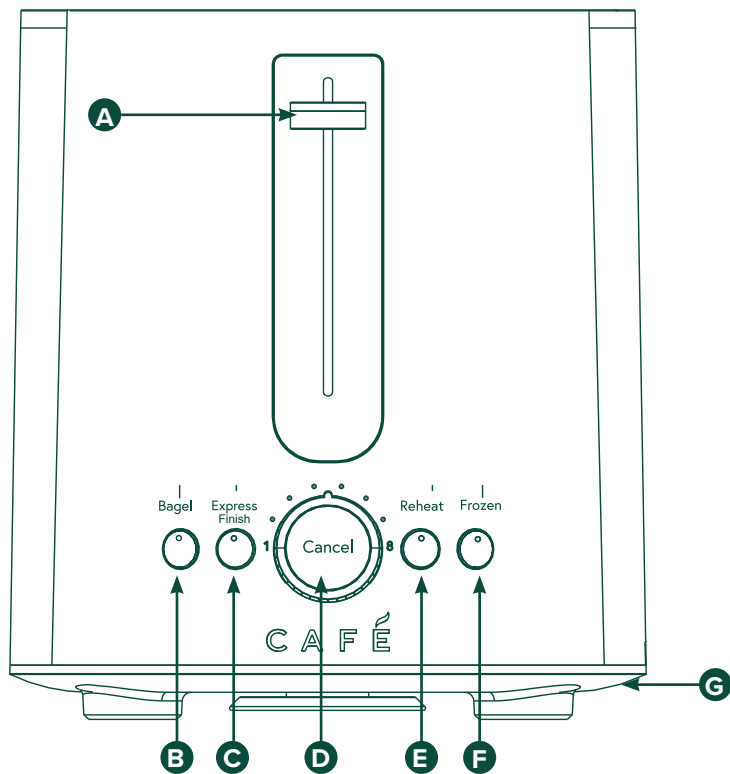
### CORDON ÉLECTRIQUE

**REMARQUE :** Si le cordon d'alimentation est endommagé, veuillez contacter le garant qui figure au dos de ce manuel.

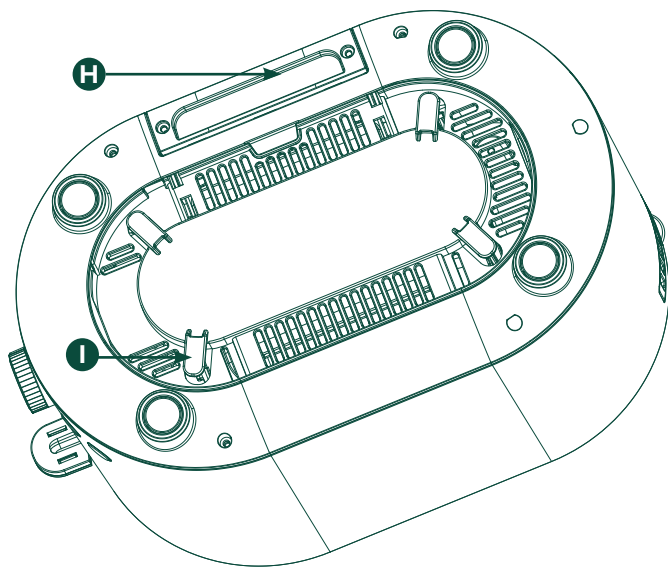
## LISEZ ET CONSERVEZ CES INSTRUCTIONS

# Composants

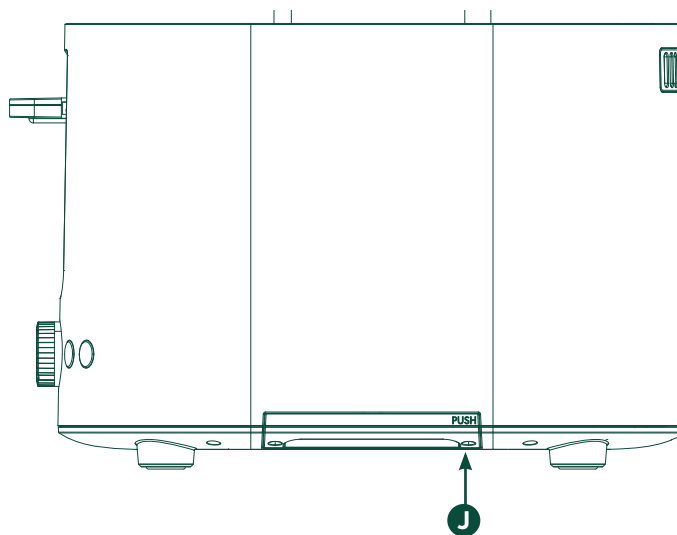
vue de face



vue de dessous



vue de côté



- A** Levier
- B** Bouton Bagel
- C** Bouton de finition express
- D** Bouton d'annulation / bouton de grillage
- E** Bouton de réchauffage

- F** Bouton gelé
- G** Base
- H** Plateau à miettes
- I** Enveloppe de cordon
- J** APPUYER pour ouvrir le plateau ramasse-miettes

# Utilisation du grille-pain

## Pour commencer

Cet électroménager est destiné à un usage domestique seulement.

- Retirez tout le matériel d'emballage, les autocollants et la bande en plastique autour de la fiche électrique.
- Pour enregistrer votre produit, allez sur **cafeappliances.com**.
- Lavez toutes les parties selon les instructions de la section Entretien et nettoyage.
- Placez le grille-pain sur une surface de niveau et allouez suffisamment d'espace pour que la vapeur puisse s'échapper sans endommager les comptoirs, les armoires et les murs.
- Avant la première utilisation, réglez le niveau de brunissement au maximum (8) et faites fonctionner l'appareil à vide dans une pièce bien ventilée pour sécher les nouveaux éléments. Cela peut produire une légère odeur lorsque l'élément durcit.

## Faire griller le pain

1. Placez le grille-pain sur une surface solide, de niveau et résistante à la chaleur.
2. Insérez la fiche du cordon dans une prise électrique.
3. Tournez le bouton du grillage au réglage désiré (1 = léger, 8 = foncé).
4. Placez les tranches de pain dans les fentes de grillage (épaisseur maximale de 25 mm).
5. Poussez le levier complètement vers le bas. Le levier ne se verrouillera que si le grille-pain est branché dans une prise électrique.
6. Si vous devez arrêter le grillage en cours, pressez le bouton d'annulation (Cancel) pour éjecter le contenu du grille-pain.

## Pain congelé

1. Laissez le contrôle du grillage à votre réglage favori, insérez le pain congelé, abaissez le levier puis pressez le bouton du pain congelé (Frozen).
2. Une lumière va s'allumer.
3. La rôti va remonter lorsqu'elle sera prête.

# Entretien et nettoyage

Suivez les consignes suivantes pour nettoyer et entretenir votre grille-pain :

- Débranchez le grille-pain et laissez-le avant d'essayer de nettoyer ou de retirer tout pain grillé coincé dans l'appareil.
- Pour retirer les miettes de l'appareil, glissez délicatement le ramasse-miettes pour le sortir et videz-le. Remplacez ensuite le ramasse-miettes.
- N'insérez pas des objets étrangers dans les fentes.
- **ATTENTION** Ne mettez pas l'appareil à l'envers et ne le secouez pas pour retirer les miettes, pain ou autres articles de grillage.

## Bagels

1. Insérez le bagel tranché dans les fentes avec ses côtés coupés vers l'intérieur du grille-pain.
2. Laissez le contrôle du grillage à votre réglage favori, abaissez le levier puis pressez le bouton Bagel.
3. Le bagel va remonter lorsqu'il sera prêt.

## Annulation

1. Une pression sur le bouton Cancel fait cesser le grillage.

## Finition express

*Express Finish activera des éléments chauffants supplémentaires sur votre pain, grillage plus rapidement que la fonction de grillage ordinaire. Les niveaux de grillage individuels peuvent varier selon le type de pain et la façon dont il est conservé.*

1. Insérez le pain tranché dans les fentes de grillage et sélectionnez la teinte de grillage préférée.
2. Abaissez le levier, puis appuyez sur le bouton Fin express.
3. Toast apparaîtra une fois prêt.

## Annuler

Appuyez sur le bouton «Annuler» pour arrêter le grillage.

## Plateau à miettes

Le plateau ramasse-miettes est situé sur le côté droit du grille-pain. Poussez pour le dégager du grille-pain et tirez-le pour éliminer les miettes et les débris. Insérez le plateau ramasse-miettes en le poussant à fond dans l'unité.

- Nettoyez le corps du grille-pain avec un linge humide.
- **DANGER** : N'immergez jamais le grille-pain dans l'eau et ne le mettez jamais au lave-vaisselle.
- **ATTENTION** N'utilisez jamais des tampons à récurer, des nettoyeurs abrasifs ou des liquides corrosifs tels que de l'essence ou de l'acétone pour nettoyer le grille-pain.
- **ATTENTION** Tout autre entretien doit être effectué par un représentant de service autorisé.



# Dépannage

Gagnez du temps et économisez de l'argent! Examinez d'abord les tableaux des pages suivantes, vous pourriez vous éviter un appel de service.

<b>Problème</b>	<b>Solution</b>
<b>Ce grille-pain ne fonctionne pas</b>	Assurez-vous que la fiche est correctement insérée dans la prise murale.
<b>Le pain reste coincé dans le grille-pain</b>	Débranchez le grille-pain et laissez-le refroidir. Retirez délicatement le pain du grille-pain. Veillez à ne pas endommager les éléments chauffants lorsque vous retirez le pain. N'utilisez jamais un objet métallique à cette fin.
<b>Les rôties sont trop ou pas assez grillées</b>	Vérifiez votre réglage sur le bouton de contrôle du grillage. La prochaine fois, choisissez un réglage plus bas si le pain est trop grillé, ou un réglage plus élevé si le pain n'est pas assez grillé. Vérifiez aussi que le bouton Frozen n'est pas sélectionné.
<b>Le pain remonte presque immédiatement sans être grillé.</b>	Assurez-vous de pousser le levier jusqu'au bout.
<b>De la fumée se dégage du grille-pain</b>	Pressez le bouton Cancel pour arrêter le grillage. Videz le ramasse-miettes s'il est plein et nettoyez-le si nécessaire.
<b>Le cordon est endommagé.</b>	Si le cordon de ce grille-pain est endommagé, il doit être immédiatement remplacé auprès d'un centre de réparation.

# Garantie limitée

Problèmes avec votre appareil / Comment obtenir un service:

Si votre appareil ne fonctionne pas correctement pendant son utilisation dans des conditions domestiques normales pendant la période de garantie, visitez [cafeappliances.com/contact](http://cafeappliances.com/contact) pour une assistance / entretien du produit.

Comment initier une réclamation au titre de la garantie:

Rendez-vous sur [cafeappliances.com/contact](http://cafeappliances.com/contact) pour connaître les options permettant d'initier une réclamation sous garantie. Les informations relatives au retour et aux instructions d'emballage seront fournies à ce moment-là.

Durant la période de:	Cafe appliquera la garantie suivante
<b>Un (1) an</b> À partir de la date d'achat initial	Si le grille-pain présente une défaillance en raison de vices de matière ou de fabrication pendant la garantie limitée de un (1) an, GE Appliances procédera, réparer votre produit à sa seule discrétion remplacement de votre produit par un neuf, à sa remise à neuf, ou encore au remboursement de son prix d'achat.

## Ce que GE Appliances ne garantie pas :

- La défaillance du produit en raison d'un usage abusif, d'une mauvaise utilisation, ou s'il est utilisé à des fins commerciales ou autres que celles prévues.
- Le remplacement des fusibles du domicile ou le réarmement des disjoncteurs.
- Les dommages survenus après la livraison.
- Tout dommage occasionné par un accident, un incendie, une inondation ou une autre catastrophe naturelle.
  - Les dommages accessoires ou indirects causés par d'éventuelles déficiences de cet électroménager.

### EXCLUSION DES GARANTIES IMPLICITES

Votre seul recours exclusif consiste en l'échange du produit ou son remboursement en vertu de cette garantie limitée. Toute garantie implicite, y compris les garanties implicites relatives à la qualité marchande ou à l'adéquation à un usage particulier, se limitera à une période de un (1) an ou à la période la plus courte prescrite par la loi.

**Pour la vente dans les 50 États et le district de Columbia des États-Unis seulement :** Clients des États-Unis : Cette garantie limitée est étendue à l'acheteur d'origine pour les produits achetés relativement à une utilisation domestique à l'intérieur des États-Unis.

Certains États ou provinces ne permettent pas l'exclusion ou la restriction des dommages accessoires ou indirects. Certains droits particuliers vous sont dévolus en vertu de la présente garantie et peuvent s'accompagner d'autres droits qui varient selon votre lieu de résidence. Pour connaître la nature exacte de vos droits, consultez l'organisme de protection du consommateur de votre région, ou encore le bureau du procureur général de l'État.

**Garant : GE Appliances, une compagnie Haier  
Louisville, KY 40225**

**Pour les clients au Canada:** Cette garantie limitée est étendue à l'acheteur original et à tout propriétaire suivant pour les produits achetés au Canada pour un usage domestique au Canada. Le service de mandat à domicile sera fourni dans les zones où il est disponible et jugé raisonnable par Mabe.

**Garant Canada: MC Commercial, Burlington, Ontario, L7R 5B6**

# Assistance clientèle

## SITE WEB CAFÉ

Vous avez une question ou avez besoin d'aide pour votre appareil électroménager? Visitez le site Web de Café Appliances 24 heures par jour, tous les jours de l'année! Vous pouvez aussi y trouver d'autres formidables produits Café Appliances et tirer avantage de tous nos services d'assistance en ligne. [cafeappliances.com](http://cafeappliances.com)

---

## ENREGISTREZ VOTRE ÉLECTROMÉNAGER

Enregistrez votre nouvel électroménager en ligne à votre convenance! L'enregistrement de votre produit dans les plus brefs délais permet une meilleure communication et un service rapide en vertu de votre garantie, le cas échéant. Vous pouvez également envoyer par courrier la carte d'enregistrement pré-imprimée qui se trouve dans l'emballage de votre appareil. [cafeappliances.com/register](http://cafeappliances.com/register)

---

## PIÈCES ET ACCESSOIRES

Les personnes ayant les compétences requises pour réparer elles-mêmes leurs appareils peuvent recevoir directement à la maison des pièces ou des accessoires (les cartes VISA, MasterCard et Discover sont acceptées) Commandez en ligne 24 heures par jour en tout temps.

[cafeappliances.com/parts](http://cafeappliances.com/parts)

**Les instructions contenues dans le présent manuel comportent des procédures que tout utilisateur peut effectuer. Les autres types de réparation doivent généralement être confiés à un technicien qualifié. Usez de prudence : une réparation ou un entretien mal effectués peuvent rendre l'utilisation de l'appareil dangereuse.**

---

## COMMUNIQUEZ AVEC NOUS

Si vous n'êtes pas satisfait du service reçu de Café Appliances, contactez-nous sur notre site Web avec tous les détails, y compris votre numéro de téléphone, ou encore écrivez à : General Manager,

General Manager, Customer Relations | GE Appliances, Appliance Park | Louisville, KY 40225

[CafeAppliances.com/contact](http://CafeAppliances.com/contact)

C A F É

---

DISTINCT BY DESIGN™