

**ASSEMBLY INSTRUCTIONS**  
**COASTER FINE FURNITURE**



*Fine Furniture for every stage of life*

**182852**  
**BAR CABINET**

# ITEM: 182852



## ASSEMBLY INSTRUCTIONS

### ASSEMBLY TIPS:

1. Remove hardware from box and sort by size.
2. Please check to see that all hardware and parts are present prior to start of assembly.
3. Please follow attached instructions in the same sequence as numbered to assure fast & easy assembly.



### WARNING!

1. Don't attempt to repair or modify parts that are broken or defective. Please contact the store immediately.
2. This product is for home use only and not intended for commercial establishments.



ASSEMBLY TIME

80 MINUTES

## PARTS IDENTIFICATION

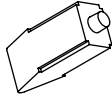

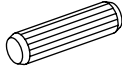
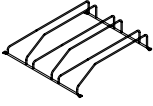
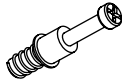



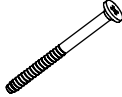
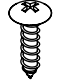

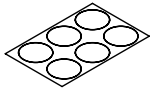
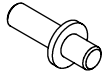
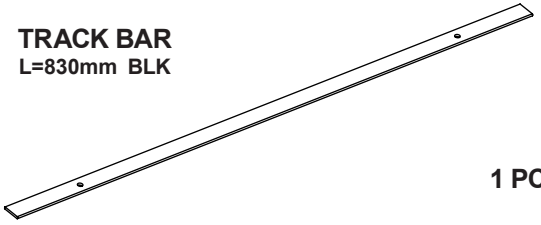

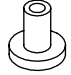

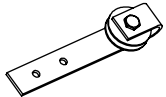

A	LEFT SIDE PANEL		1 PC	H	TOP PANEL		1 PC
B	RIGHT SIDE PANEL		1 PC	I	CROSS PANEL		1 PC
C	MIDDLE DIVIDER PANEL		1 PC	J	BACK PANEL		2 PC
D	SMALL DIVIDER PANEL		6 PCS	K	ADJUSTABLE SHELF		2 PC
E	BOTTOM PANEL		1 PC	L	CROSSBAR		2 PCS
F	LOWER SHELF PANEL		1 PC	M	DOOR		1 PC
G	MIDDLE SHELF PANEL		1 PC				

### NOTE:

Phillips head screw driver is required in the assembly process; however, manufacturer does not provide this item.

ITEM: **182852**

**HARDWARE IDENTIFICATION**

Z							
NO	DESCRIPTION	FIGURE	Q'TY	NO	DESCRIPTION	FIGURE	Q'TY
1	GLUE 40g		1 PC	11	ALLEN WRENCH 4mm SR		1 PC
2	WOODEN DOWEL Ø8x30mm		46 PCS	12	HANGING CUP HOLDER SR		1 PC
3	CAM BOLT Ø7x35.5mm SR		8 PCS	13	SCREW Ø4x17mm SR		4 PCS
4	CAM LOCK Ø15x12mm SR		8 PCS	14	FOOT W38xH 96mm		4 PCS
5	BOLT Ø9.5x55mm SR		6 PCS	15	FOOT SCREW Ø4x19mm BLK		16 PCS
6	PIN FOR ADJUSTABLE SHELF Ø4.9x8mm SR		8 PCS	16	STICKER Ø 20mm		2 PCS
7	PIN FOR DOOR Ø5.8x25mm BLK		1 PCS	17	TRACK BAR L=830mm BLK		1 PC
8	WOODEN DOWEL Ø8x50mm		6 PCS	18	TRACK SPACER Ø25x25mm BLK		2 PCS
9	LONG BOLT M6x43mm BLK		2 PCS	19	ROLLER Ø40.5x160mm BLK		2 PCS
10	BOLT M6x19mm BLK		4 PCS				

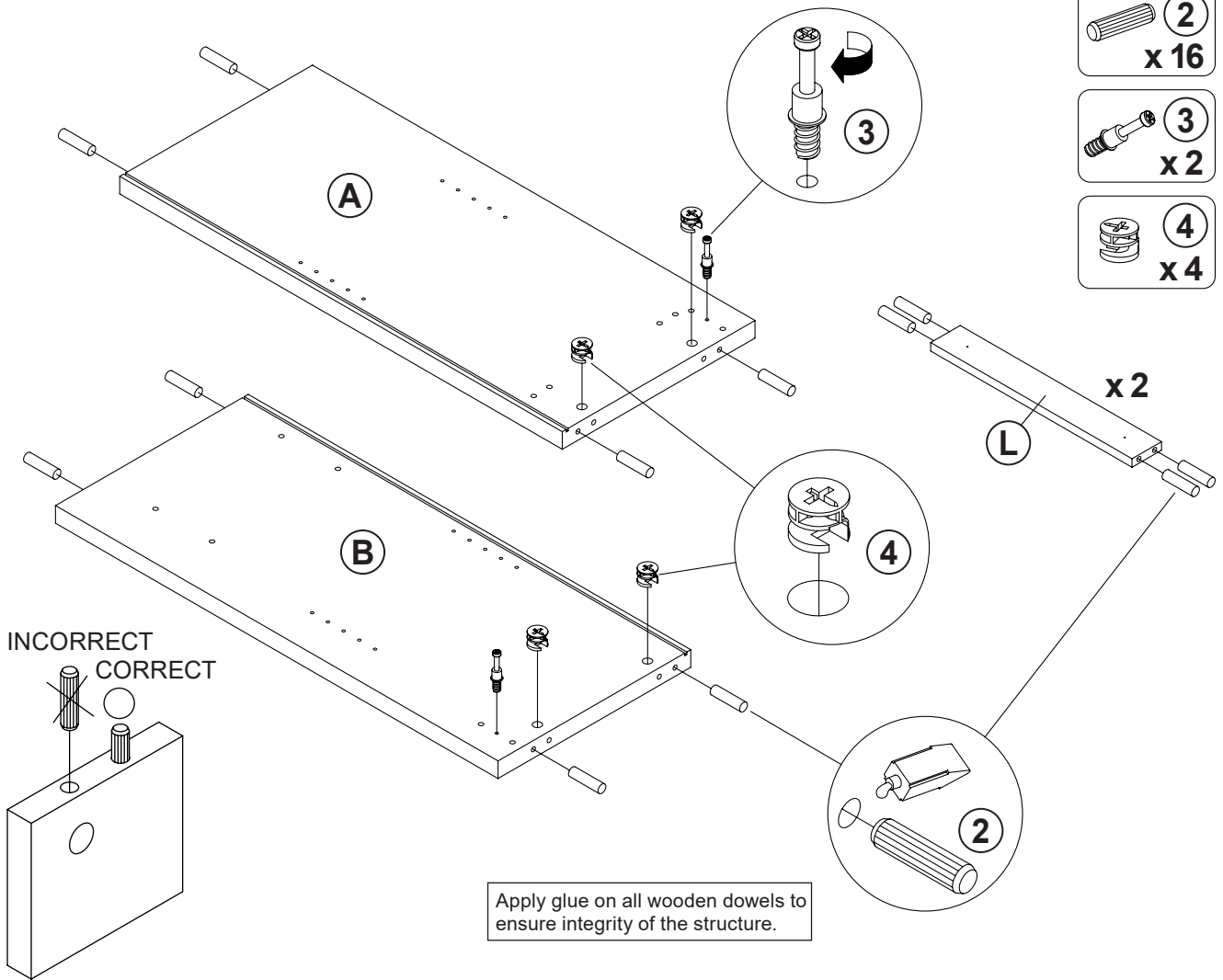
Z12,Z14,Z17,Z18,Z19 not included in blister packaging.

**NOTE:**

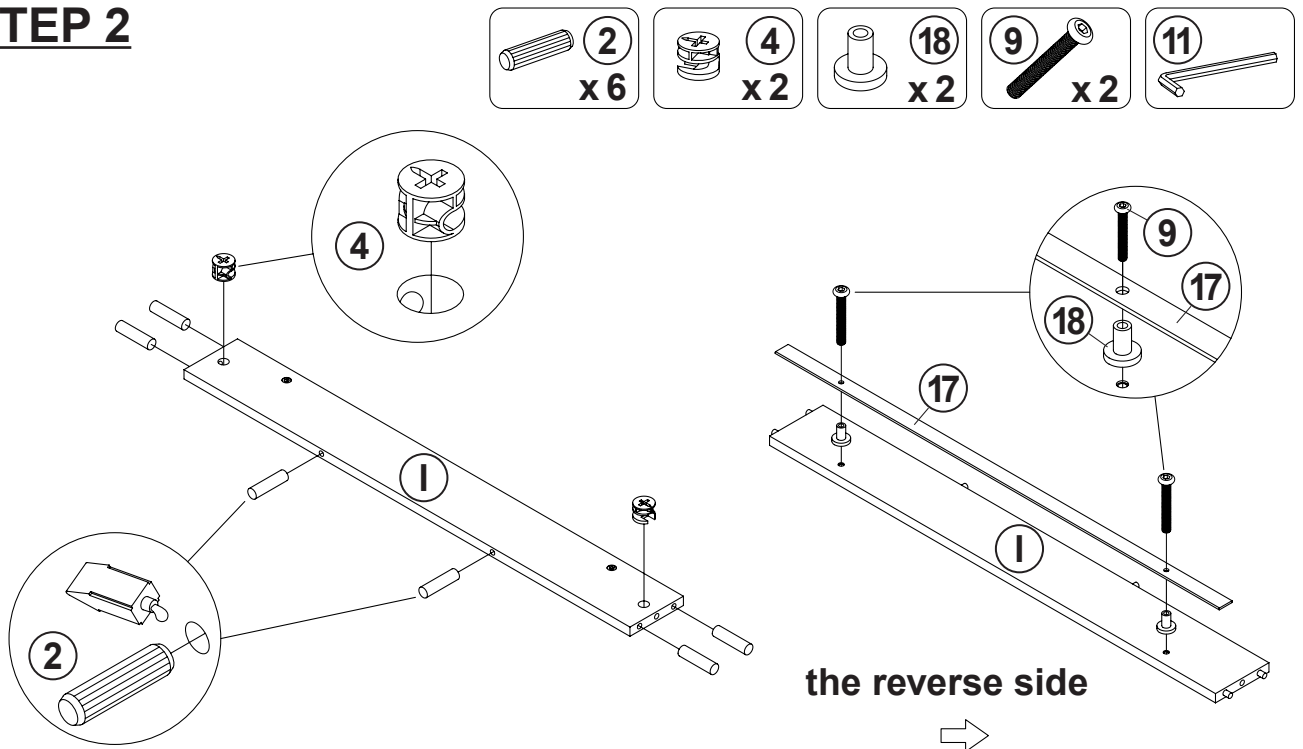
Phillips head screw driver is required in the assembly process; however, manufacturer does not provide this item.

ITEM: **182852**

**STEP 1**



**STEP 2**

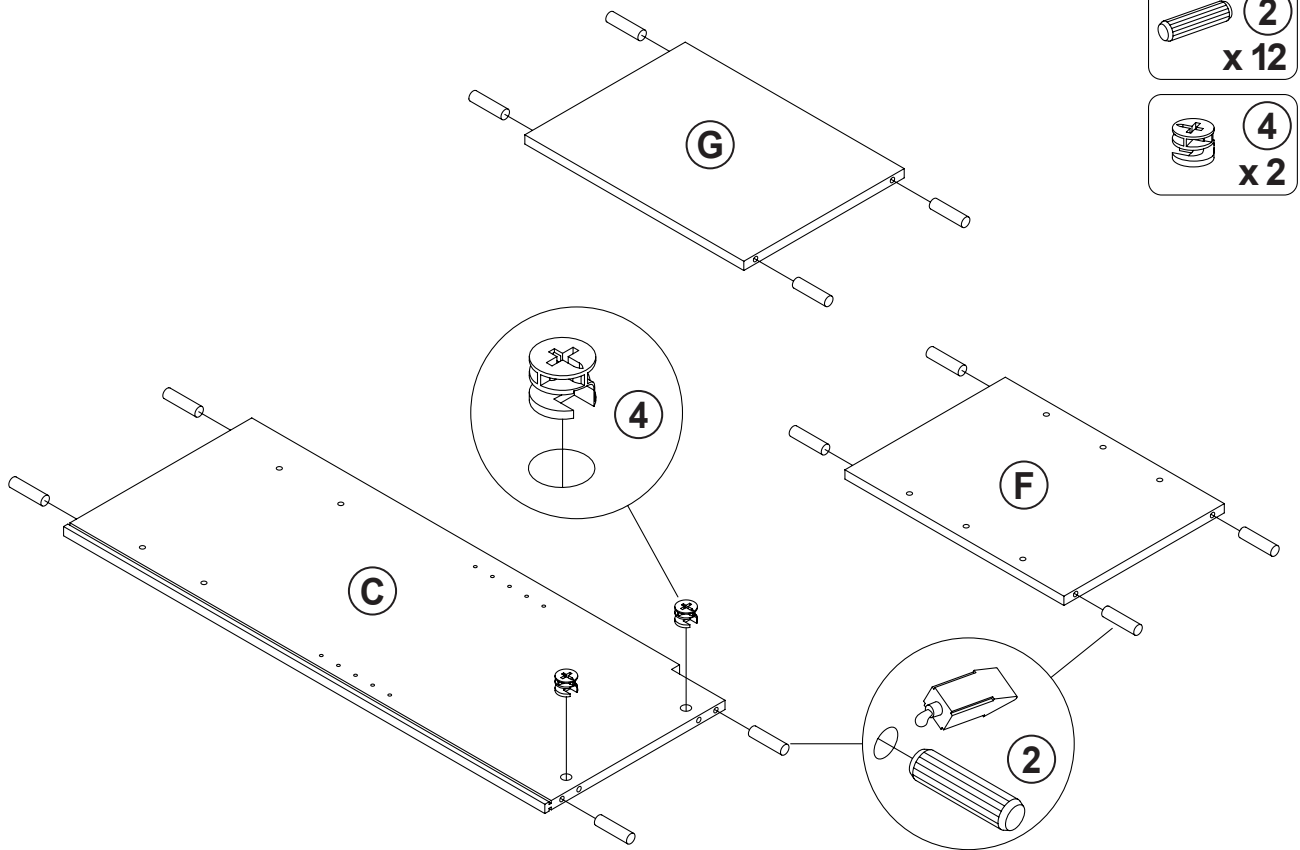


ITEM: **182852**

**COASTER**<sup>®</sup>

FINE FURNITURE

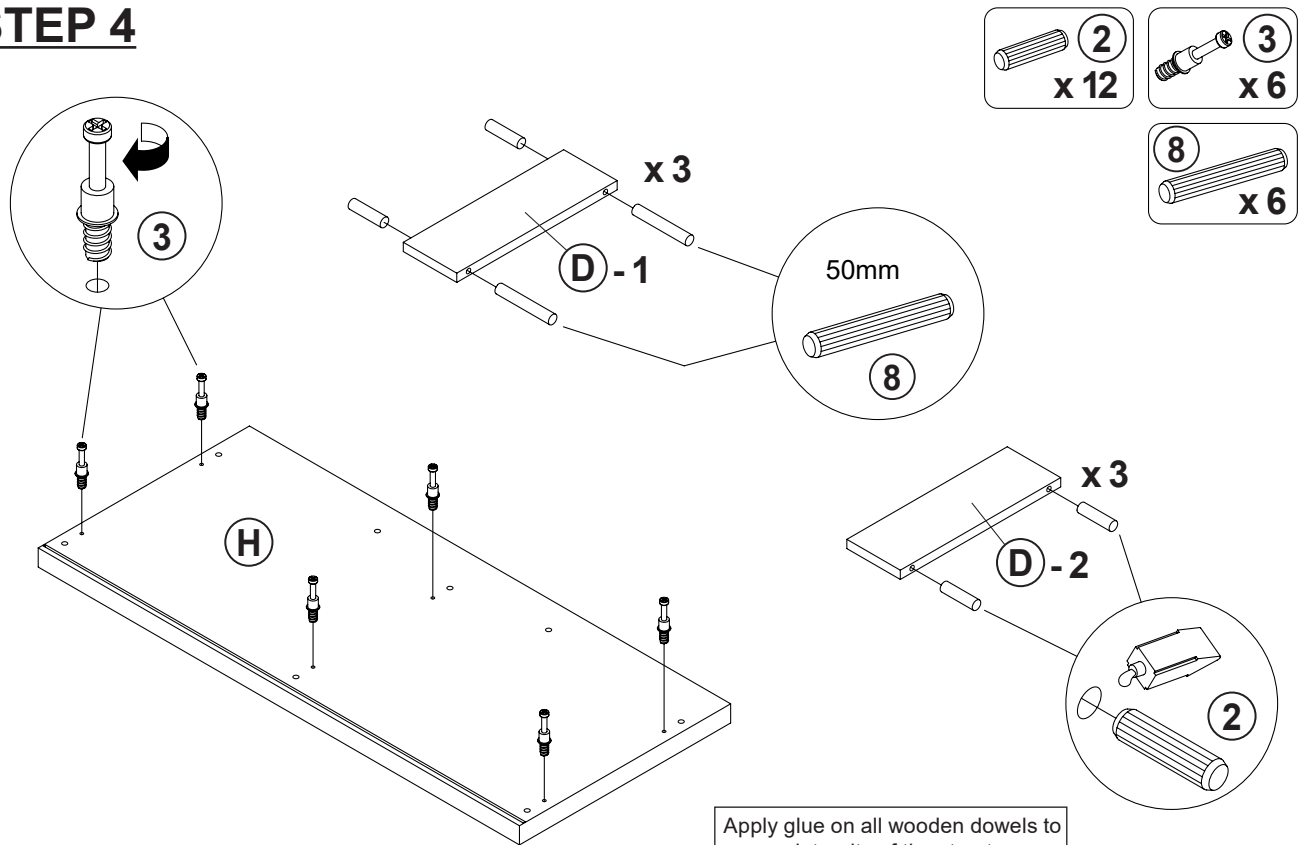
**STEP 3**



**2**  
x 12

**4**  
x 2

**STEP 4**



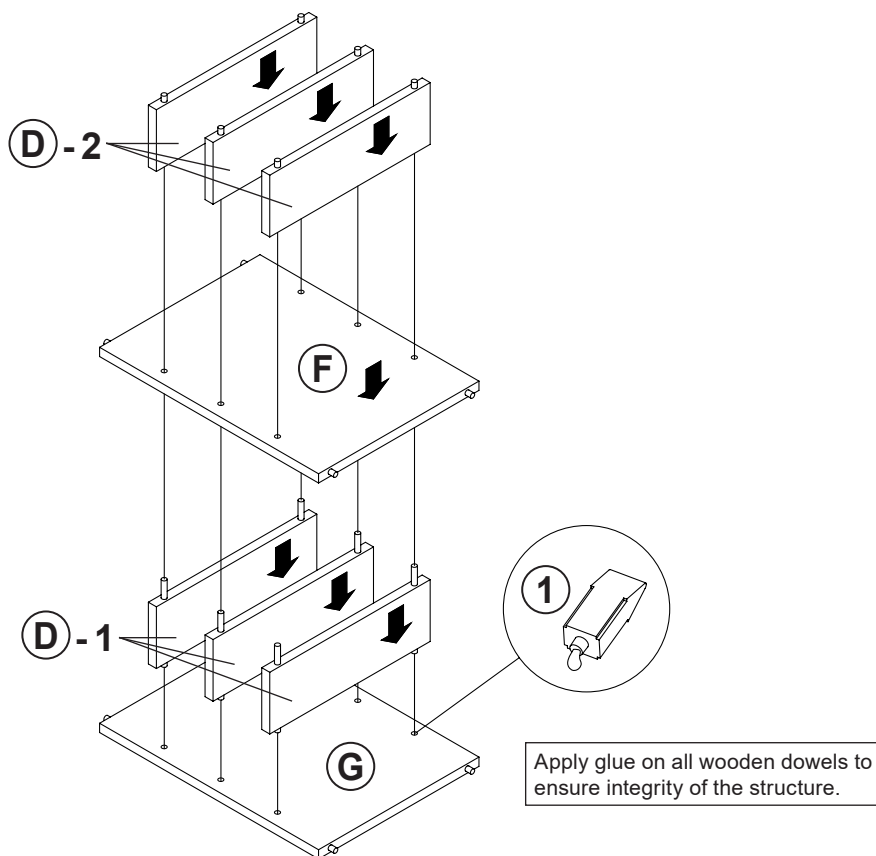
**2**  
x 12

**3**  
x 6

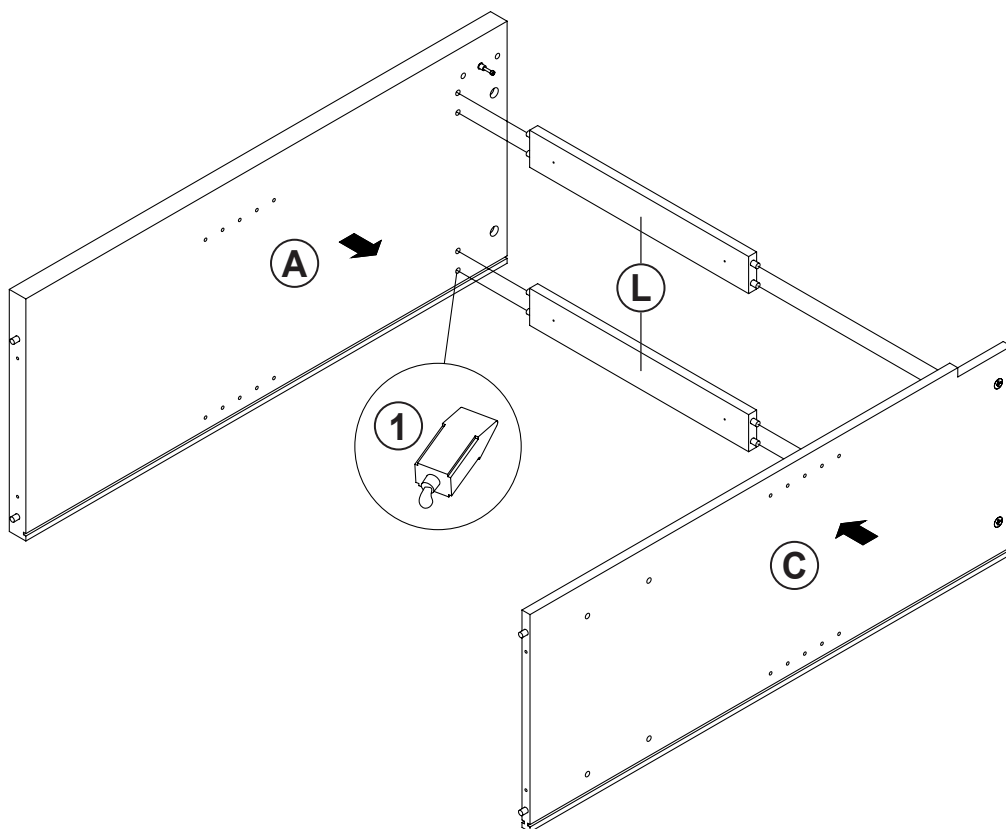
**8**  
x 6

Apply glue on all wooden dowels to ensure integrity of the structure.

**STEP 5**

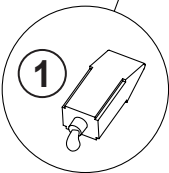
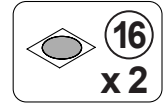
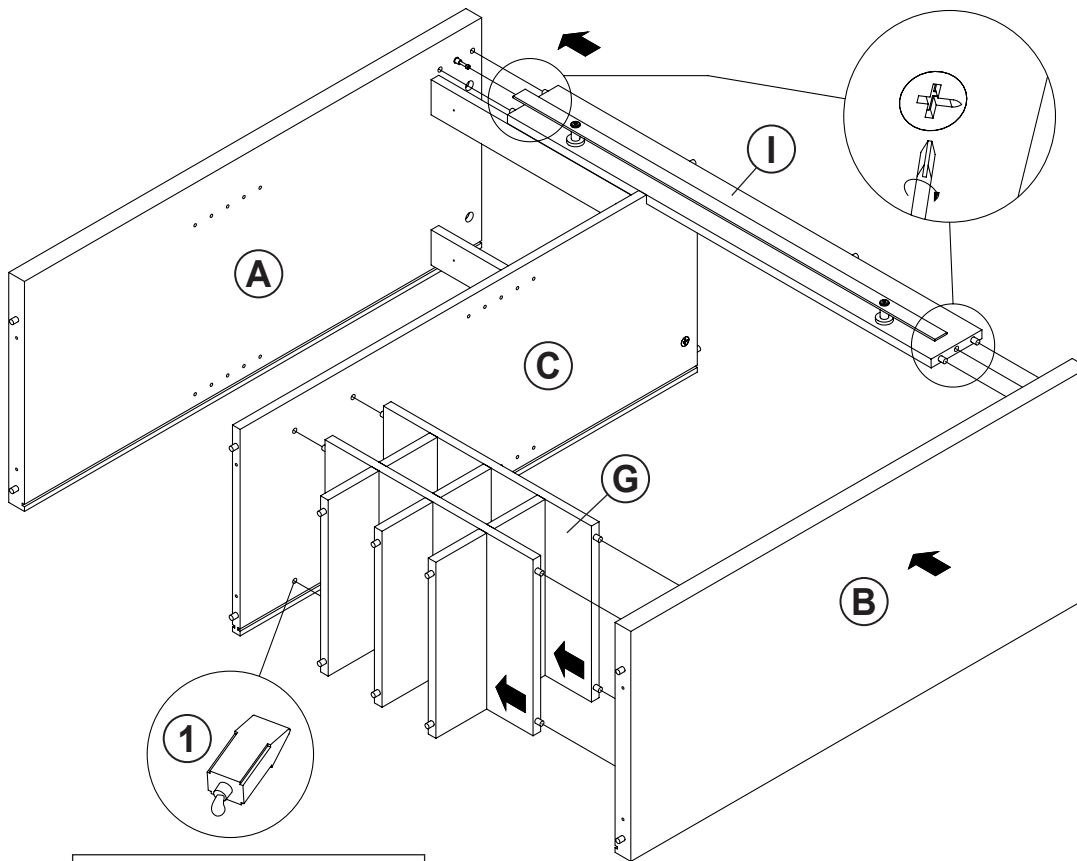


**STEP 6**

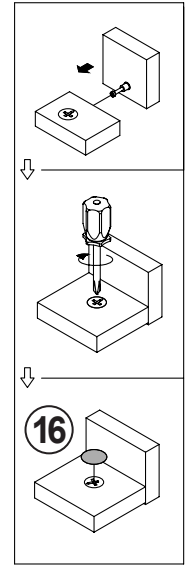


ITEM: **182852**

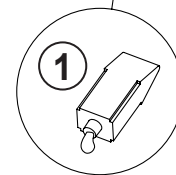
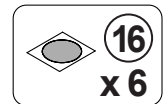
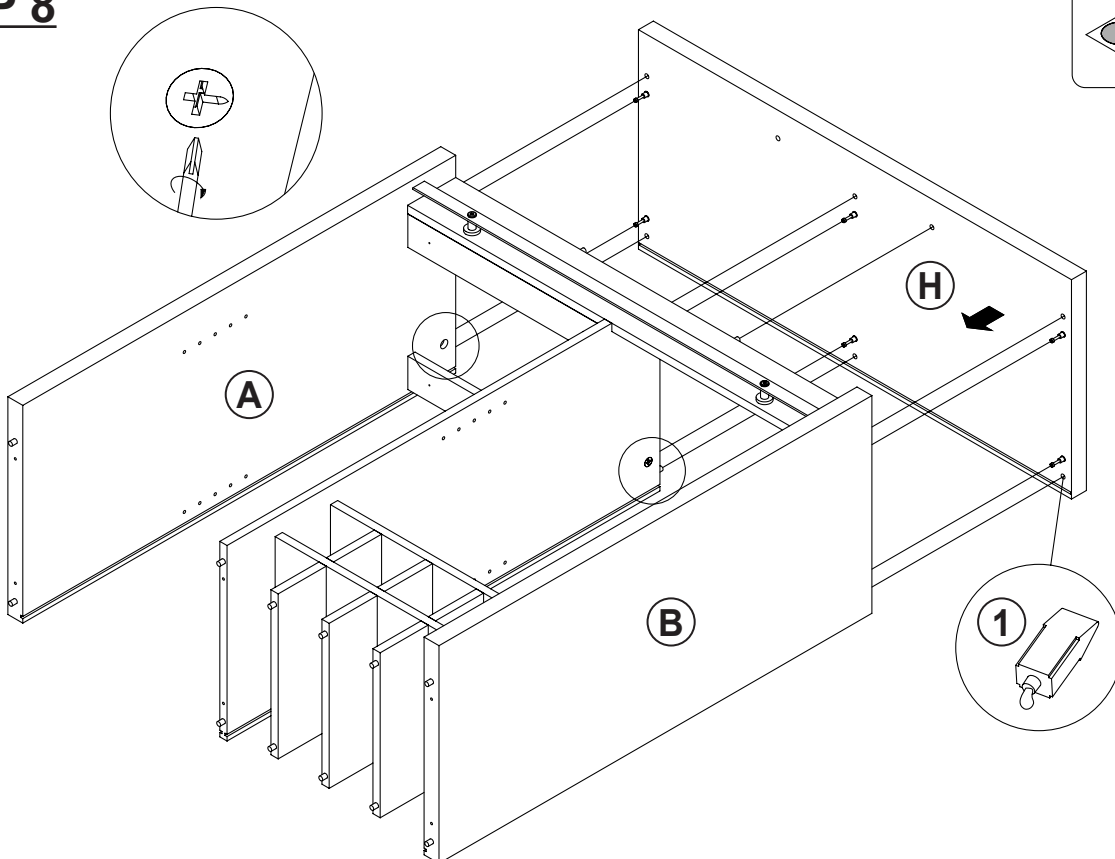
**STEP 7**



Apply glue on all wooden dowels to ensure integrity of the structure.



**STEP 8**

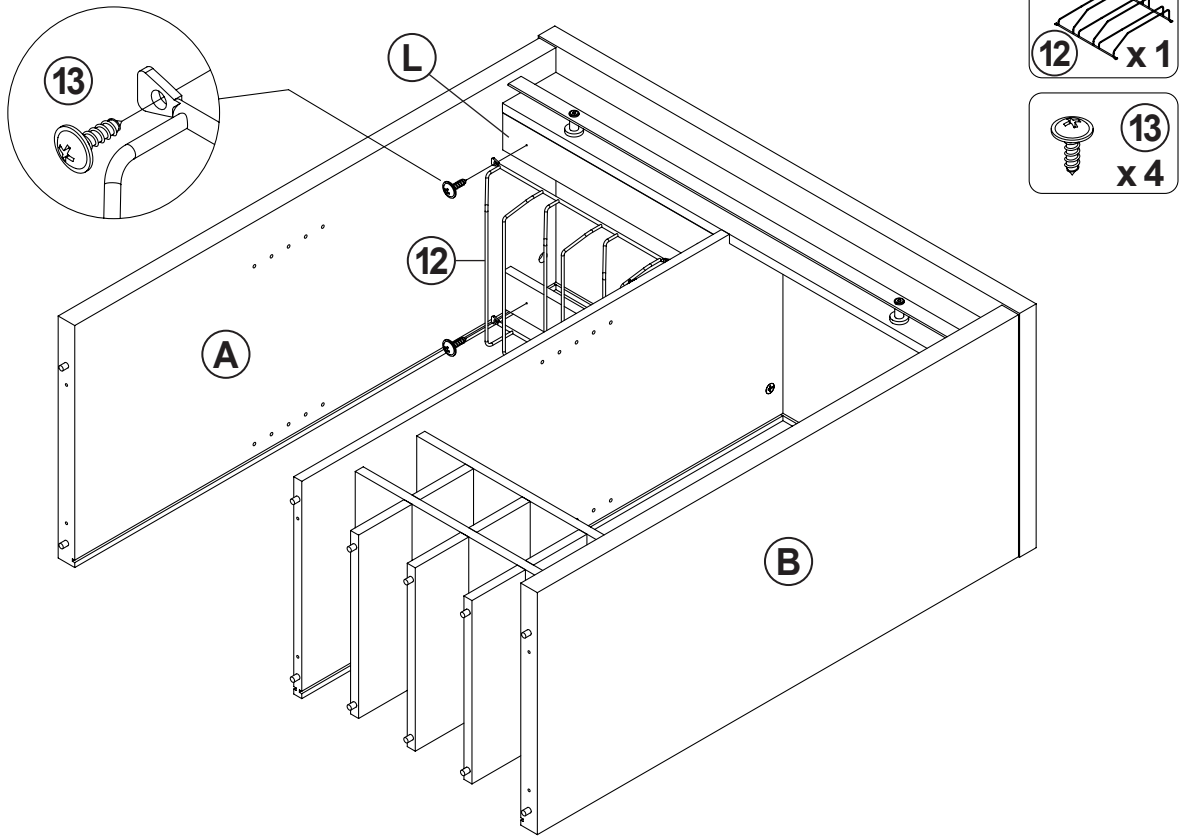


ITEM: **182852**

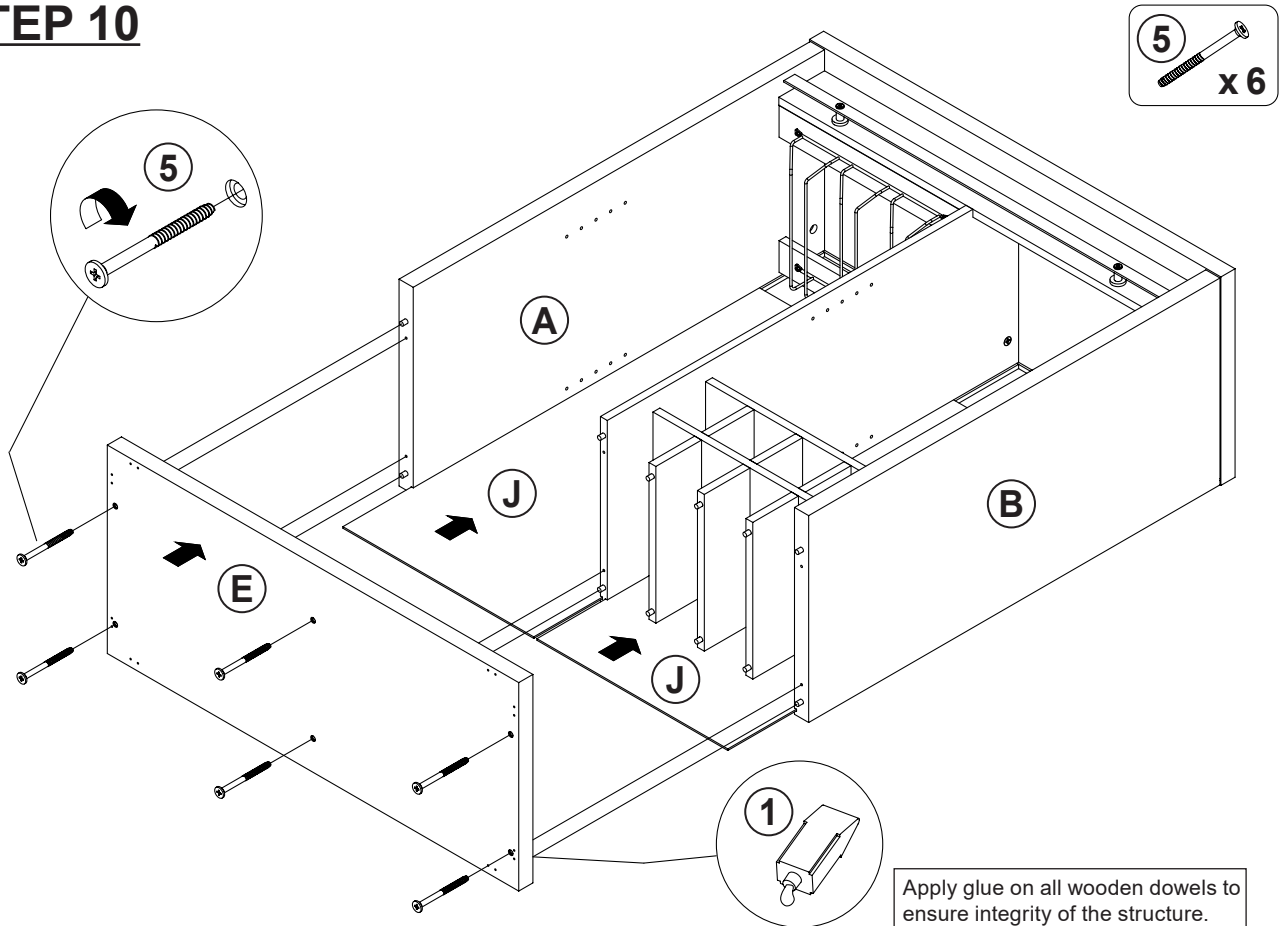
**COASTER**<sup>®</sup>

FINE FURNITURE

**STEP 9**



**STEP 10**



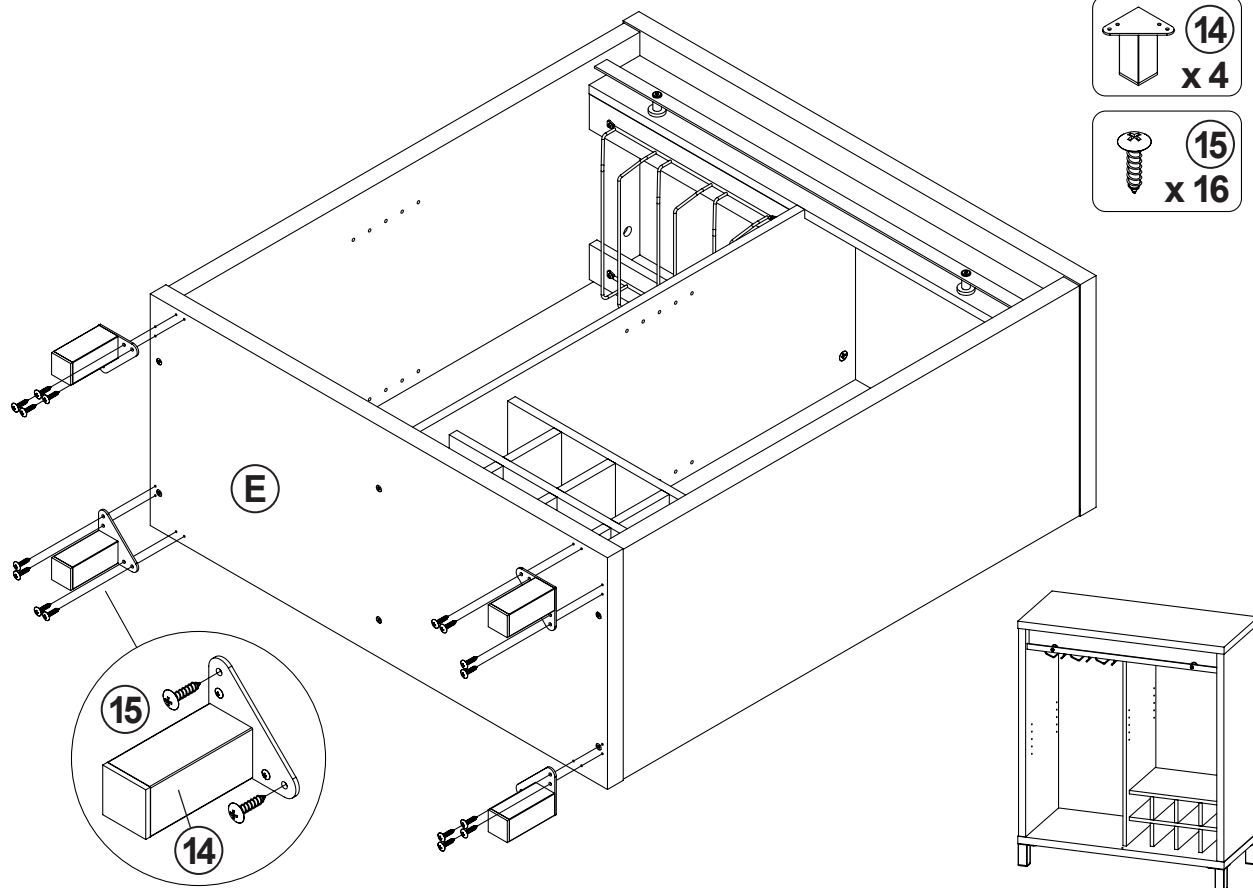


ITEM: **182852**

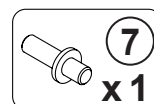
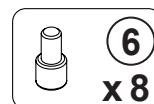
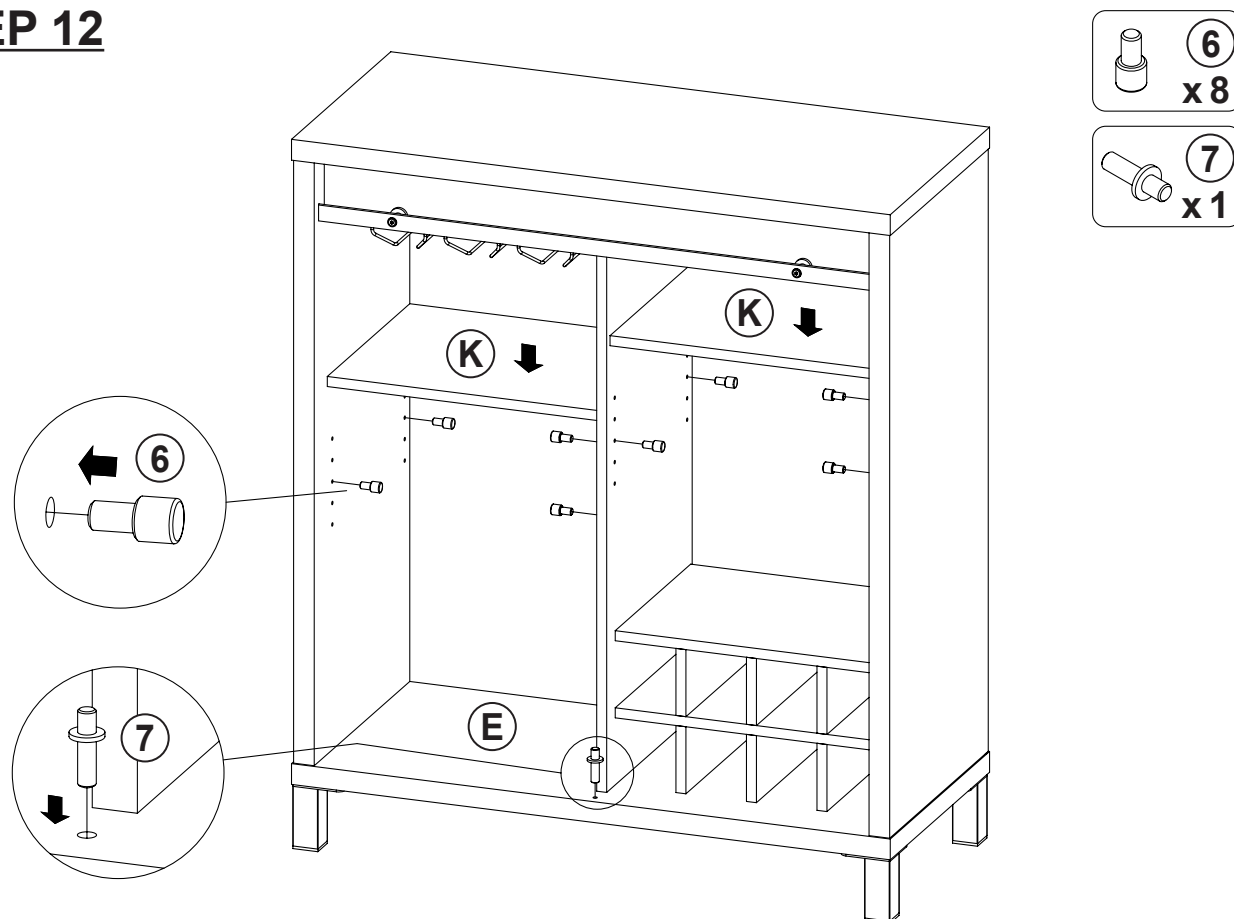
**COASTER**<sup>®</sup>

FINE FURNITURE

**STEP 11**

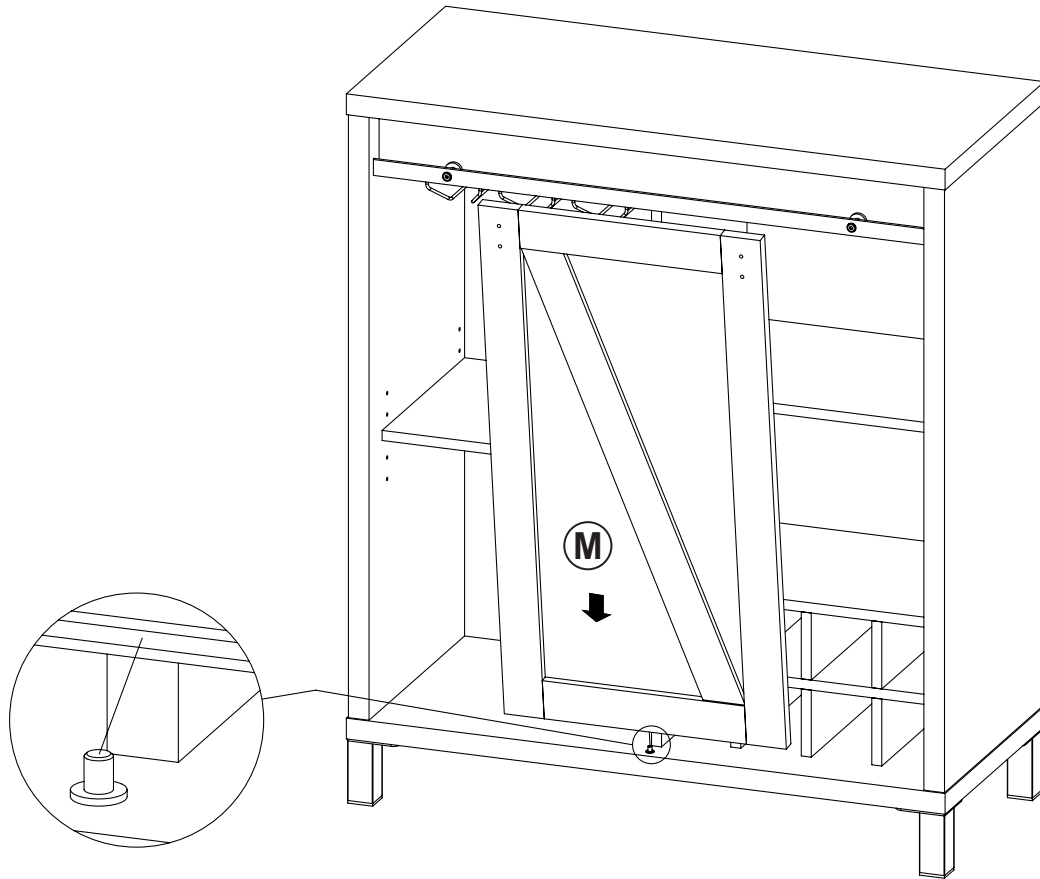


**STEP 12**

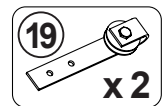
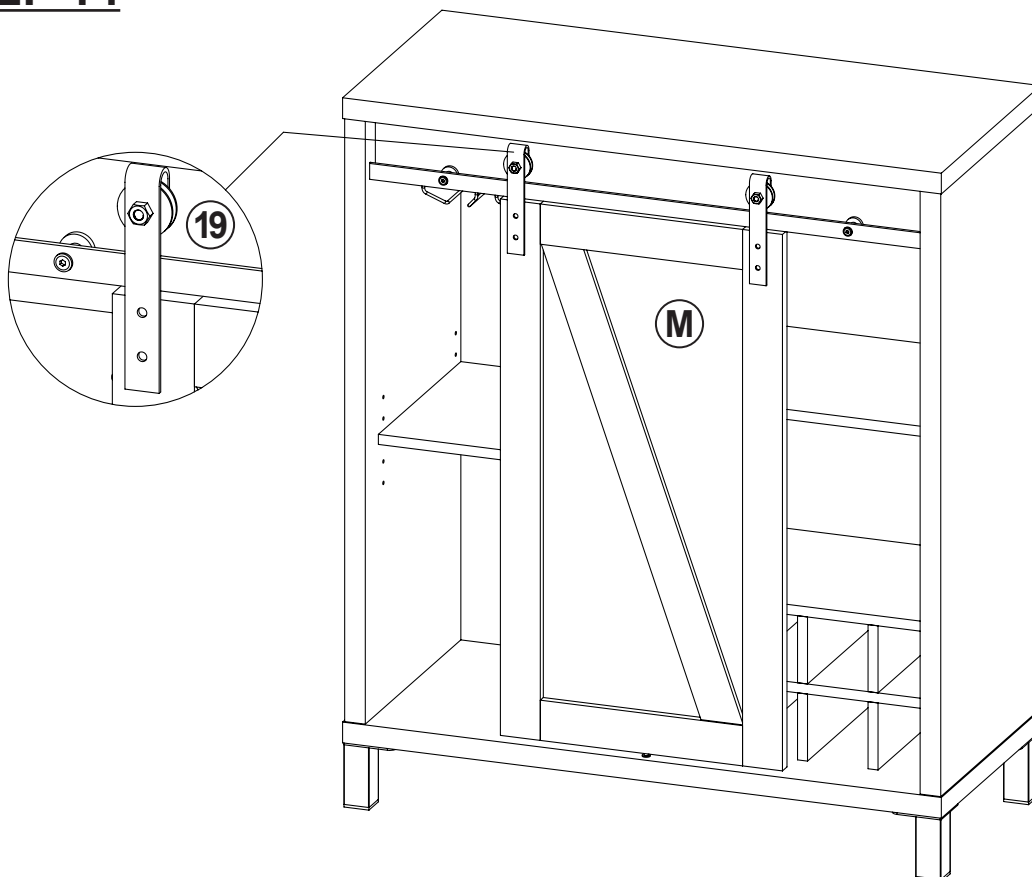


ITEM: **182852**

**STEP 13**



**STEP 14**

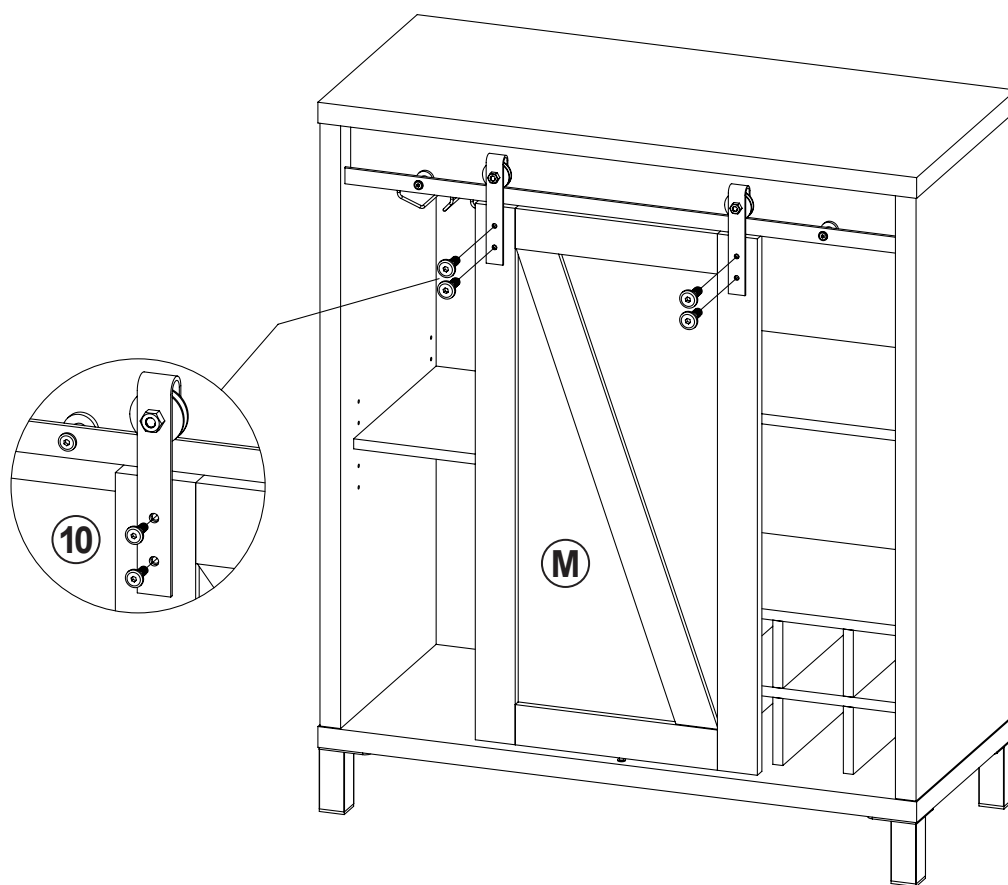
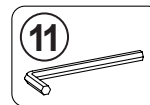
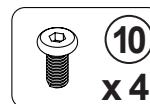


ITEM: **182852**

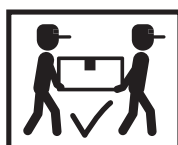
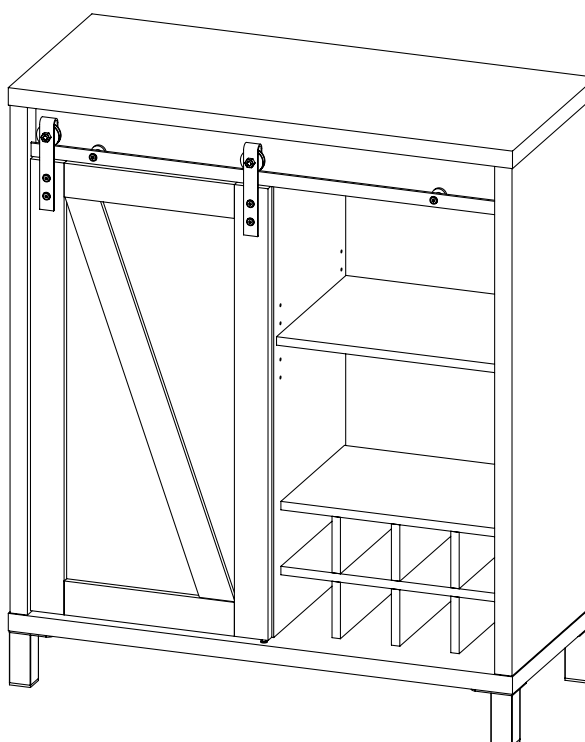
**COASTER**<sup>®</sup>

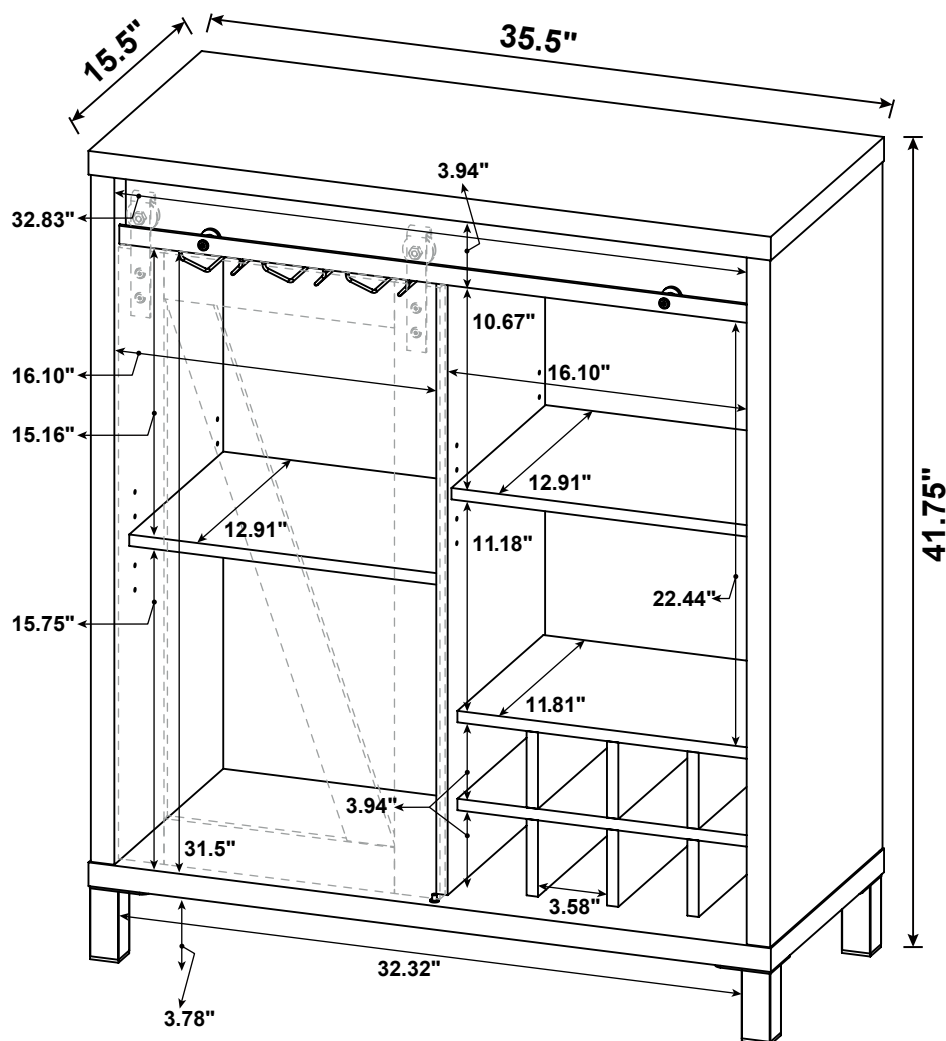
FINE FURNITURE

**STEP 15**



**STEP 16**  
**COMPLETE**





Note : Dimension tolerance  $\pm 5\%$

# ANTI-TIPPING INSTALLMENT INSTRUCTIONS

## FURNITURE TIPPING RESTRAINT

### WARNING

Injury may result from tipping furniture.  
This restraint may protect against tipping furniture.  
Do not allow children to climb on furniture.  
This restraint is not a substitute for proper adult supervision.  
Failure to detach this restraint before moving the furniture  
may result in injury and damage.

1. To attach the anti-tip strap, securely mount one end to the top of the case piece with the 5/8" screw.
2. Position the case piece against the wall in the desired location.
3. Pull the anti-tip strap taut and mark the position of where you will secure the other end on the wall.
4. Drill a 1-1/4" hole in the spot you marked.
5. Tap in plastic wall plug.
6. Fasten anti-tip strap with wall screw provided.

**(Please install the anti-tipping kit in the middle of the case piece if only have one set of anti-tipping kit.)**

