

PDP755SYV/SBV

GE Profile™ UltraFresh System Dishwasher with Microban® Antimicrobial Technology

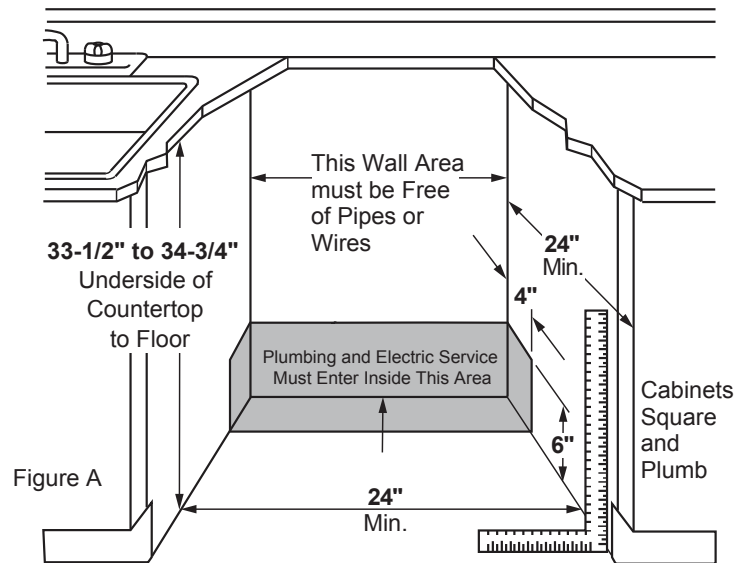
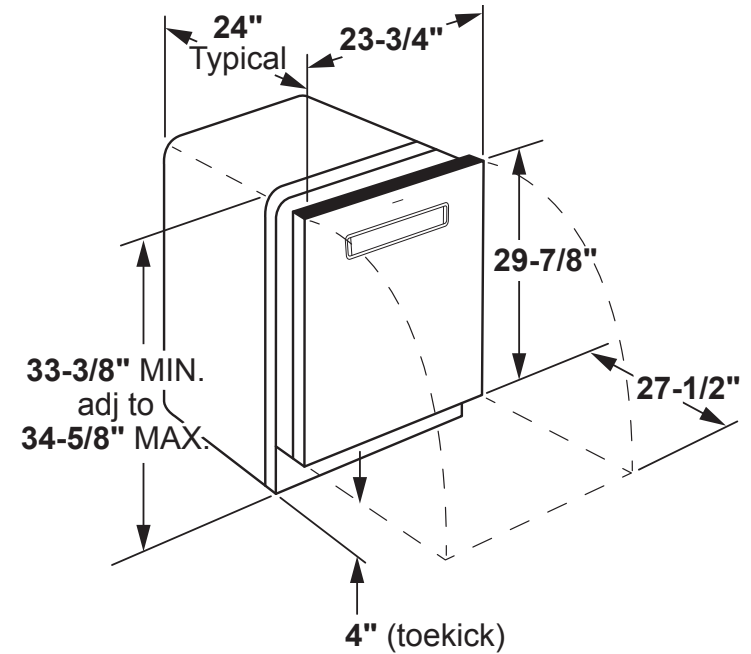
DIMENSIONS AND INSTALLATION INFORMATION (IN INCHES)

ELECTRICAL RATING

Voltage AC.....120
 Hertz.....60
 Total connected load amperage.....7.8
 Calrod® heater watts max.....800/500

For use on adequately wired 120-volt, 7.8-amp circuit having 2-wire service with a separate ground wire. This appliance must be grounded for safe operation.

INSTALLATION INFORMATION: Before installing, consult installation instructions packed with product for current dimensional data.



For answers to your Monogram, Café™, GE Profile™ or GE Appliances product questions, visit our website at geappliances.com or call GE Answer Center® Service, 800.626.2000.



Certified to NSF Standard 184 for sanitation



Listed by Underwriters Laboratories



As an ENERGY STAR® partner, GE has determined that this product meets the ENERGY STAR guidelines for energy efficiency.

PDP755SYV/SBV

GE Profile™ UltraFresh System Dishwasher with Microban® Antimicrobial Technology

FEATURES AND BENEFITS

Deep Clean Washing 3rd Rack – This innovative third rack offers a flexible design that lets you clean a variety of items in a single load. Dedicated jets provide a targeted wash that removes stuck-on food from spatulas, ramekins, utensils and more for a next-level clean!

UltraFresh System – Smart dishwasher algorithms introduce clean air and reduce moisture, refreshing the wash system to help prevent the growth of odor-causing bacteria. Interior filters are treated with Microban® antimicrobial technology.

Twin Turbo Dry Boost™ – The Twin Turbo Dry Boost™ system uses a smart dual-wattage heater and 2 fans that work together to remove water from hard-to-dry items like plastics and sports bottles.

Microban® Antimicrobial Technology – Enjoy longer-lasting dishwasher protection thanks to Microban® Antimicrobial Technology. Built into high usage points to prevent bacteria growth, it keeps surfaces 99% cleaner than unprotected surfaces.

Smart Features Powered by SmartHQ™ – Built-In WiFi and the SmartHQ™ app make it easy to connect, control and monitor your smart dishwasher from anywhere. You can also conveniently access the latest features, including customized cycles, remote status notifications and more.

Smart Assist – Smart sensors continuously monitor and ensure optimal washing and drying performance throughout the life of your dishwasher. Receive alerts when regular maintenance is needed and address issues before they become a problem.

Deep Clean Silverware Jets – A system of deep clean silverware jets blasts the silverware basket from the bottom up, targeting stuck-on foods to help eliminate the need for hand washing.

4 Bottle Wash Jets – This dishwasher with bottle jets ensures a targeted wash and deep clean for tall items, narrow glasses, jars and more. In the middle rack, each of the 4 bottle wash jets directs water and detergent inside to effectively wash hard-to-reach areas.

Steam – Loosen tough soils with the Steam option before the wash cycle begins to avoid pre-rinsing or soaking items by hand.

Sanitize – Enjoy piece of mind with a sanitization cycle that reduces up to 99.999% of bacteria on dishes.

Active Flood Protect – This dishwasher features Active Flood Protect, which prevents potential overflows for greater peace of mind. It works by using a water leak detector to sense when water is too high, pumping it out until a safe level is reached.

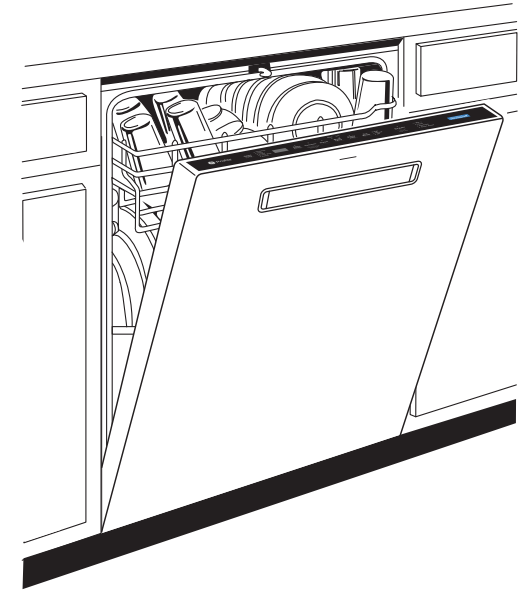
Lower Rack Fold-Down Tines – Get next-level loading flexibility in this dishwasher. Adjust the lower rack to accommodate any item thanks to multi-position, fold-down tines.

Smooth-Glide Adjustable Middle Rack – This dishwasher makes loading and unloading smooth and simple. The rack adjusts up or down to fit taller items and easily extends on stainless steel ball bearings, so you can make light work of even the heaviest loads.

42 dBA Dishwasher – Get reliable wash performance and a deep clean without unwanted noise thanks to this super-silent 42 dBA dishwasher.

Piranha™ Hard Food Disposer – The Piranha™ Hard Food Disposer lets you use your dishwasher without pre-rinsing. Its stainless steel impellers rotate to pulverize food particles and an anti-jamming design make sure wash arms stay unclogged.

Notification Bar – Always know the status of your dishwasher cycle with this sleek notification light. A bright bar illuminates different colors to indicate the status of the cycle.



Model PDP755SYVFS –
Fingerprint Resistant Stainless

Model PDP755SBVTS –
Black Stainless