

ASSEMBLY INSTRUCTIONS
COASTER FINE FURNITURE



Fine Furniture for every stage of life

704271
TV CONSOLE

ITEM: 704271



ASSEMBLY INSTRUCTIONS

ASSEMBLY TIPS:

1. Remove hardware from box and sort by size.
2. Please check to see that all hardware and parts are present prior to start of assembly.
3. Please follow attached instructions in the same sequence as numbered to assure fast & easy assembly.



WARNING!

1. Don't attempt to repair or modify parts that are broken or defective. Please contact the store immediately.
2. This product is for home use only and not intended for commercial establishments.



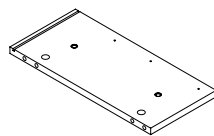
ASSEMBLY TIME

50 MINUTES

MAX TV SIZE : 50"

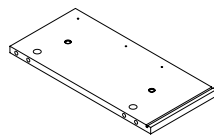
PARTS IDENTIFICATION

A LEFT SIDE PANEL



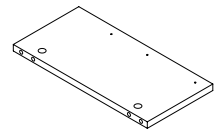
1 PC

B RIGHT SIDE PANEL



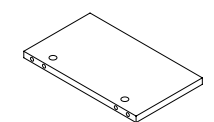
1 PC

C LOWER DIVIDER PANEL



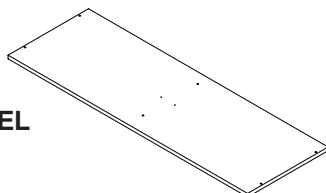
1 PC

D UPPER DIVIDER PANEL



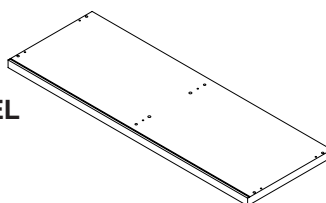
1 PC

E BOTTOM PANEL



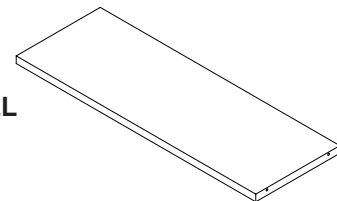
1 PC

F CROSS PANEL



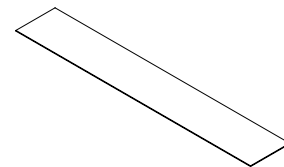
1 PC

G TOP PANEL



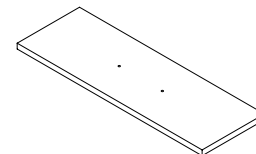
1 PC

H BACK PANEL



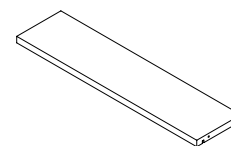
1 PC

I DRAWER FRONT PANEL



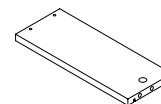
2 PCS

J DRAWER BACK PANEL



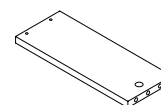
2 PCS

K DRAWER LEFT SIDE PANEL



2 PCS

L DRAWER RIGHT SIDE PANEL

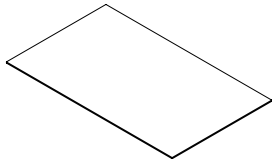
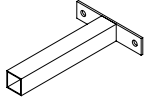
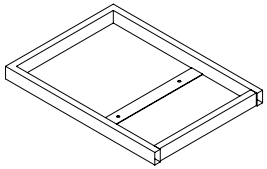


2 PCS

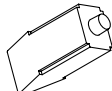
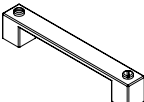
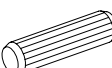

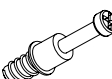
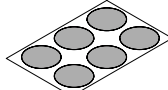





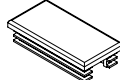
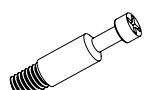

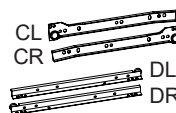


NOTE:

Phillips head screw driver is required in the assembly process; however, manufacturer does not provide this item.

ITEM: 704271

M	DRAWER BOTTOM PANEL		2 PCS	O	SQUARE FOOT		1 PC
N	METAL FRAME		2 PCS				

HARDWARE IDENTIFICATION

Z	NO	DESCRIPTION	FIGURE	Q'TY	NO	DESCRIPTION	FIGURE	Q'TY
	1	GLUE 40g		1 PC	10	HANDLE		2 PCS
	2	WOODEN DOWEL ø8x30mm		24 PCS	11	HANDLE BOLT Ø4x28mm BLK		4 PCS
	3	CAM BOLT ø7x35.5mm SR		12 PCS	12	STICKER ø20mm		3 PCS
	4	CAM LOCK ø15x12mm SR		16 PCS	13	BOLT M6x18mm BLK		4 PCS
	5	SCREW Ø4.5x42mm SR		8 PCS	14	SCREW Ø4x15mm BLK		2 PCS
	6	SCREW Ø4.3x35mm SR		8 PCS	15	FLOOR PROTECTOR 40x20mm		4 PCS
	7	CAM BOLT M6x31.5mm BLK		4 PCS	16	FLOOR PROTECTOR 18x18mm		1 PC
	8	RAIL L = 300mm BLK		2 SET	17	ALLEN WRENCH 3mm SR		1 PC
	9	SCREW Ø3x10mm BLK		24 PCS				

Z8,Z10 not included in blister packaging.

NOTE:

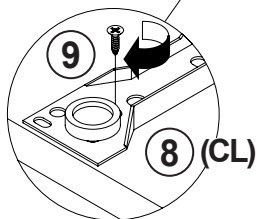
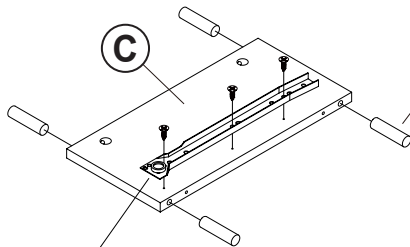
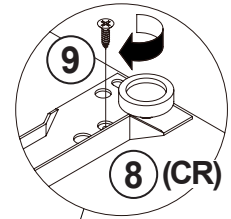
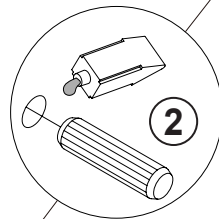
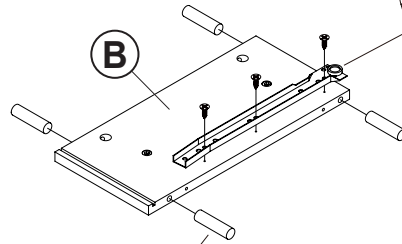
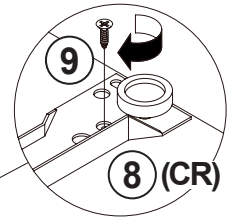
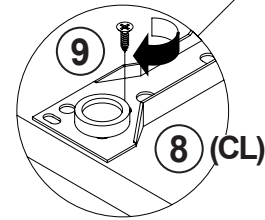
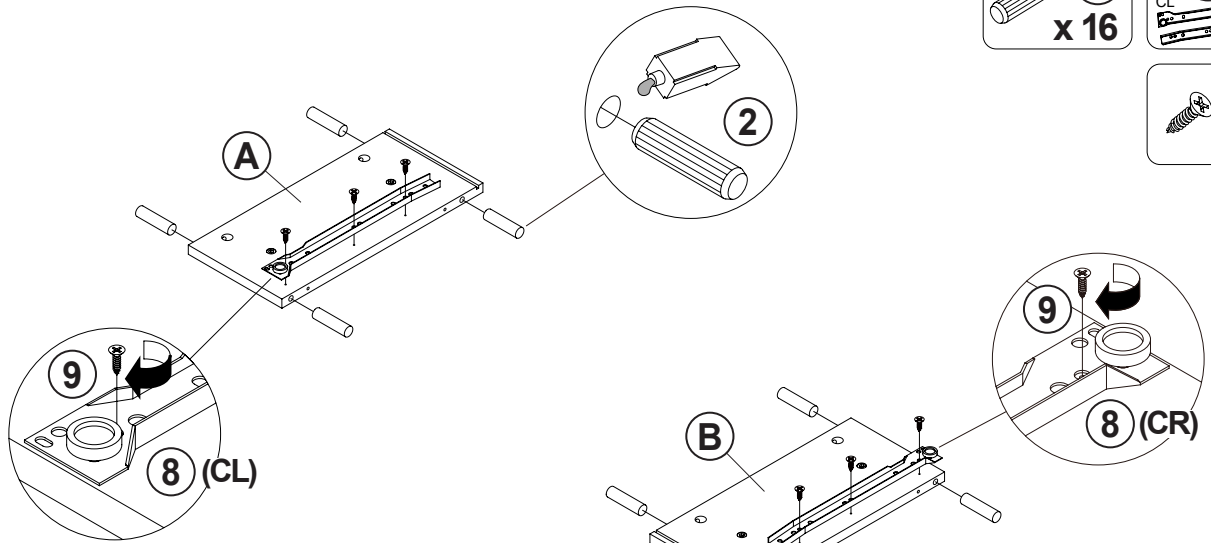
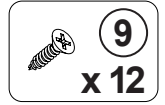
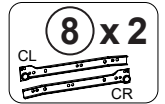
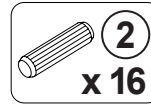
Phillips head screw driver is required in the assembly process; however, manufacturer does not provide this item.

ITEM: 704271

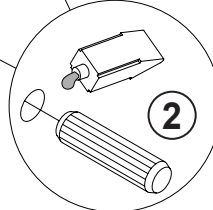
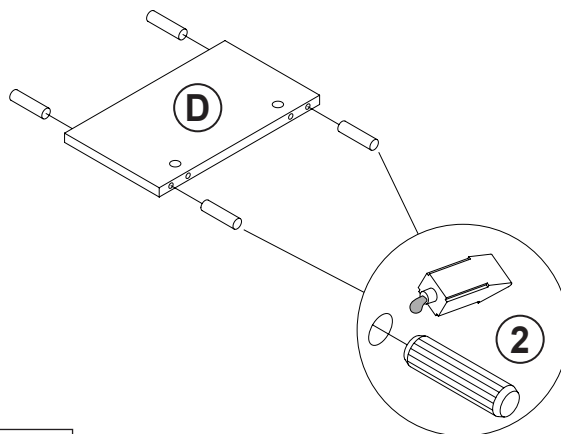
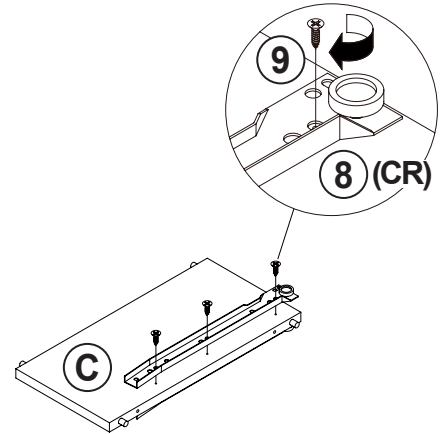
COASTER[®]

FINE FURNITURE

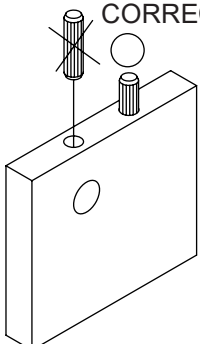
STEP 1



the reverse side



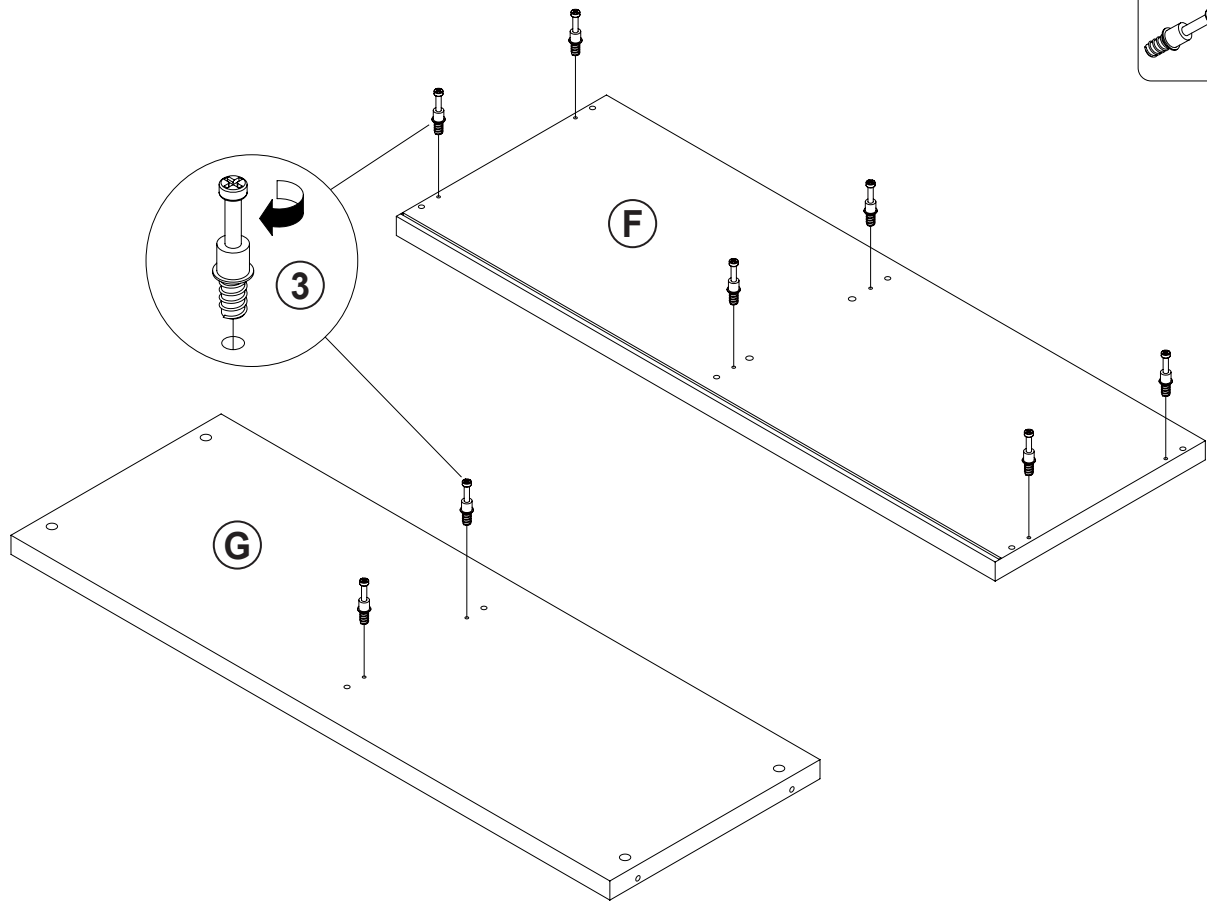
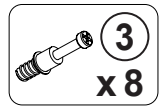
INCORRECT
CORRECT



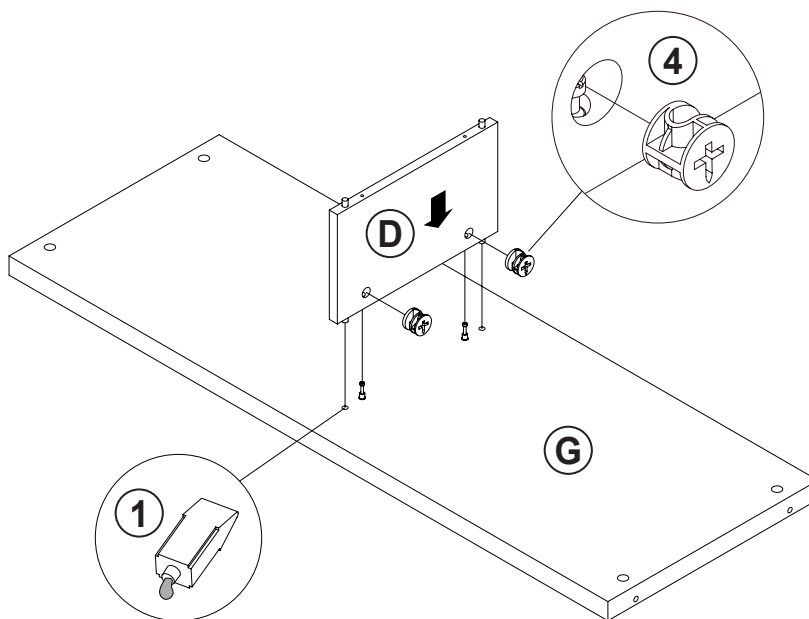
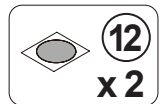
Apply glue on all wooden dowels to ensure integrity of the structure.

ITEM: 704271

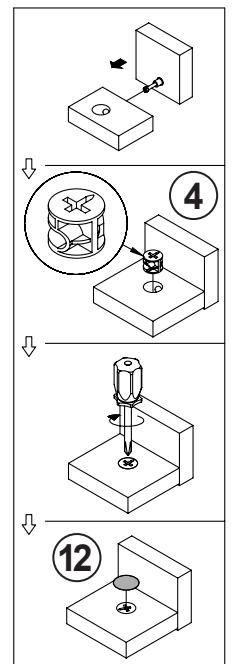
STEP 2



STEP 3



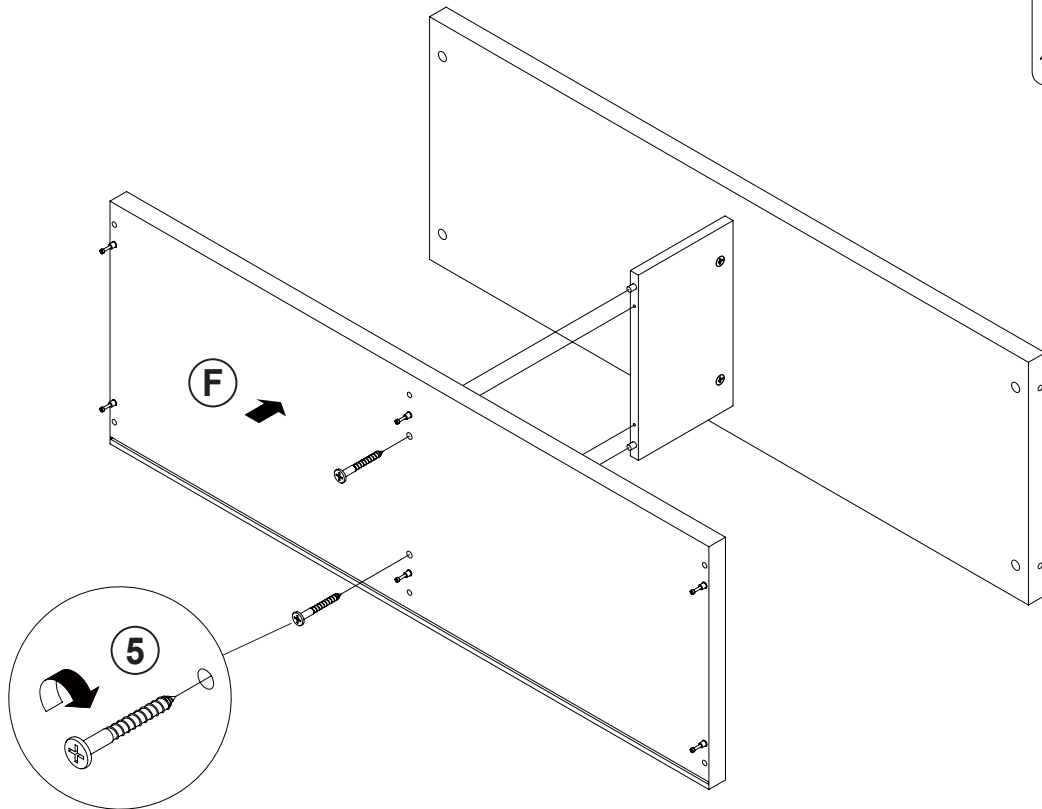
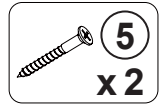
Apply glue on all wooden dowels to ensure integrity of the structure.



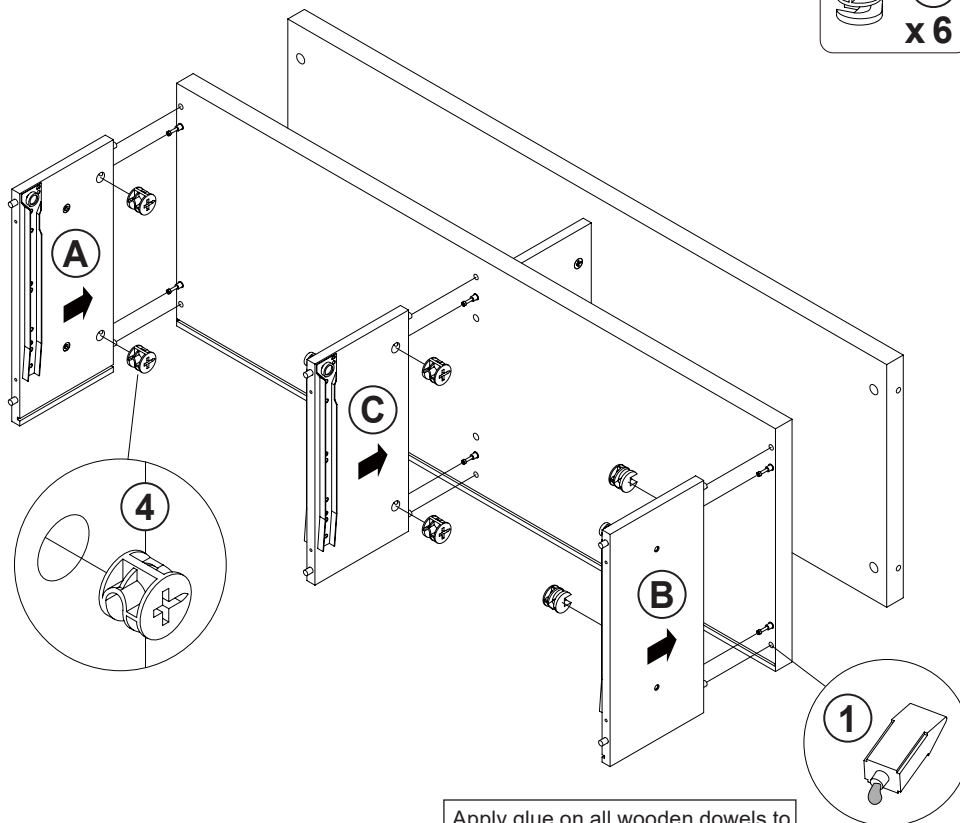
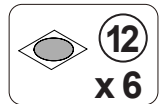
ITEM: 704271

COASTER
FINE FURNITURE

STEP 4



STEP 5

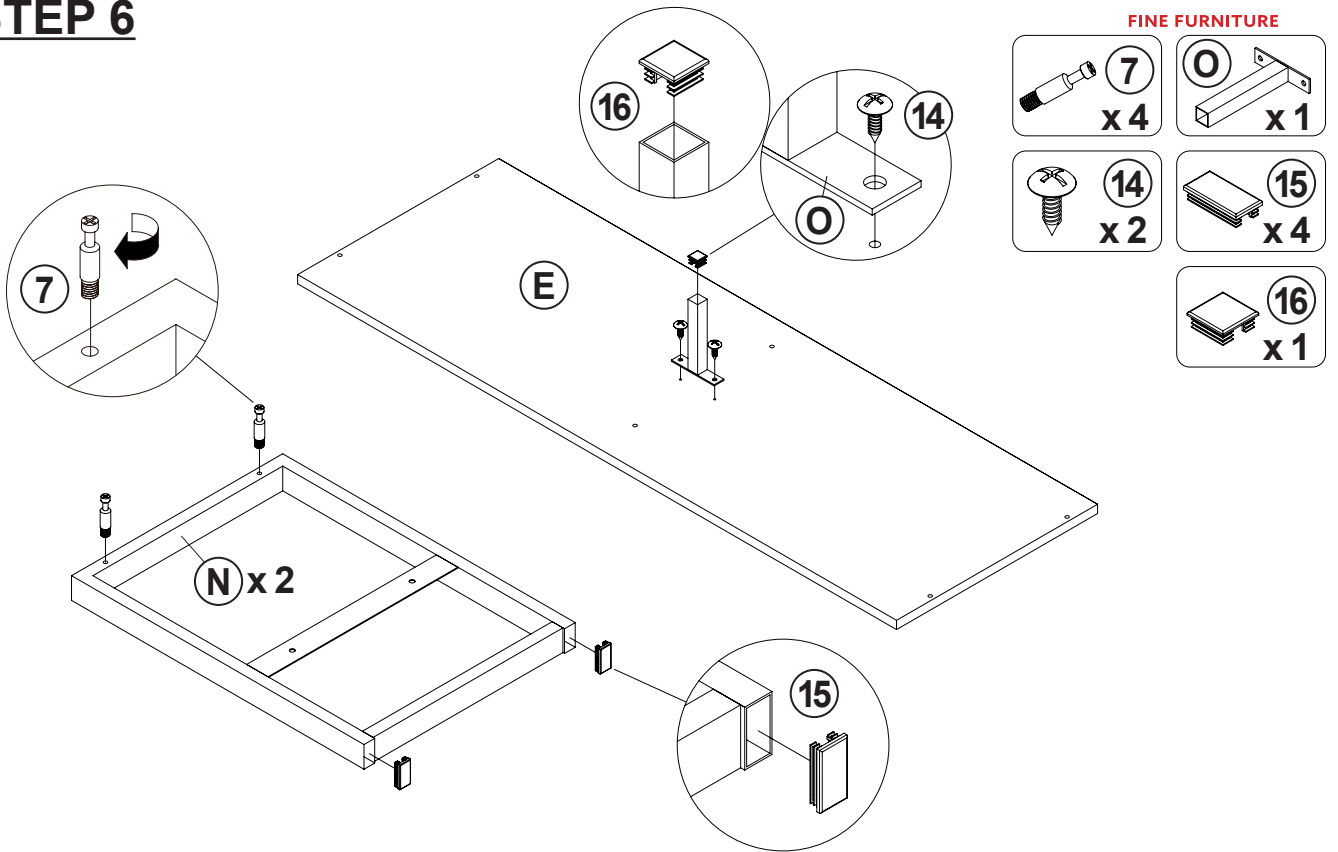


Apply glue on all wooden dowels to ensure integrity of the structure.

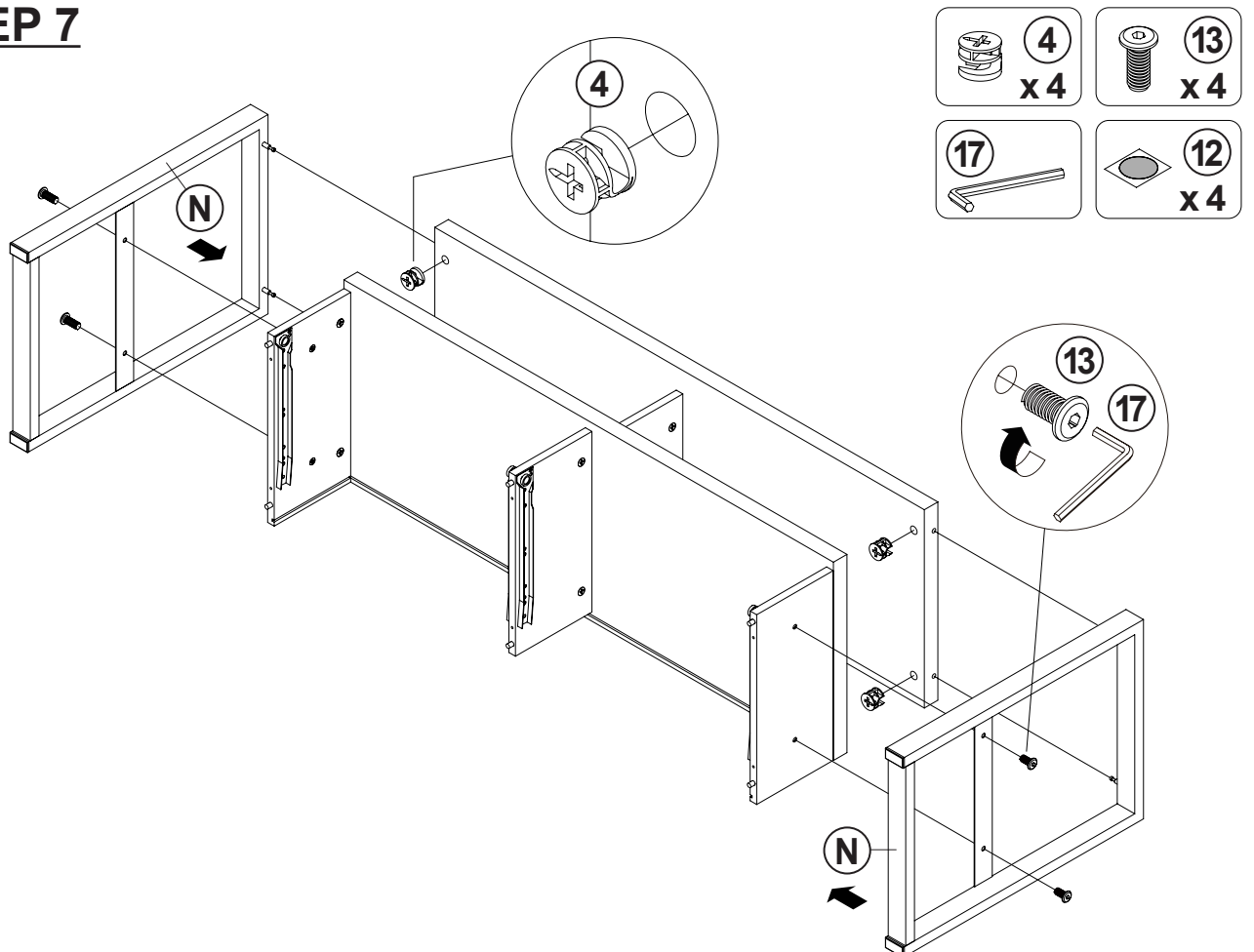
ITEM: 704271

COASTER
FINE FURNITURE

STEP 6



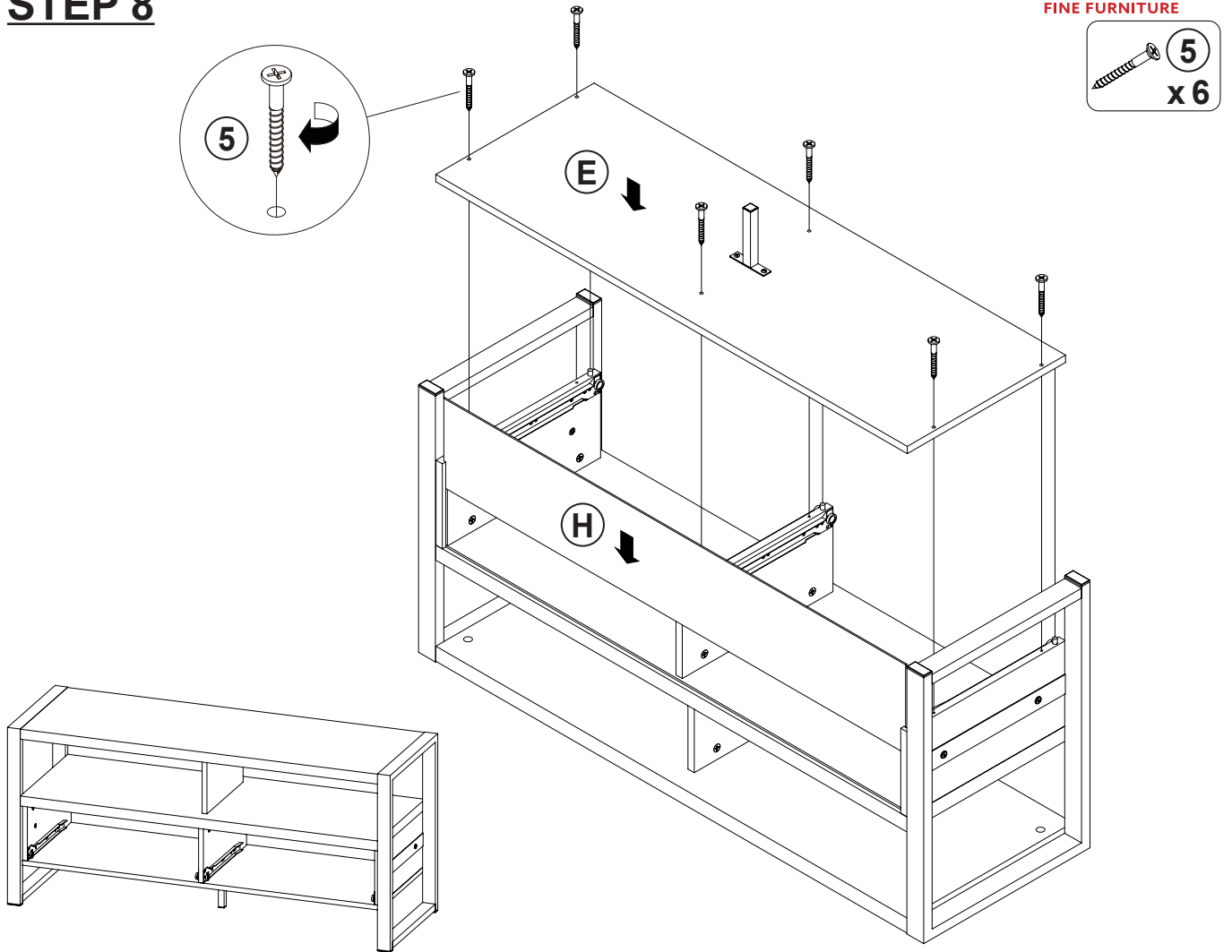
STEP 7



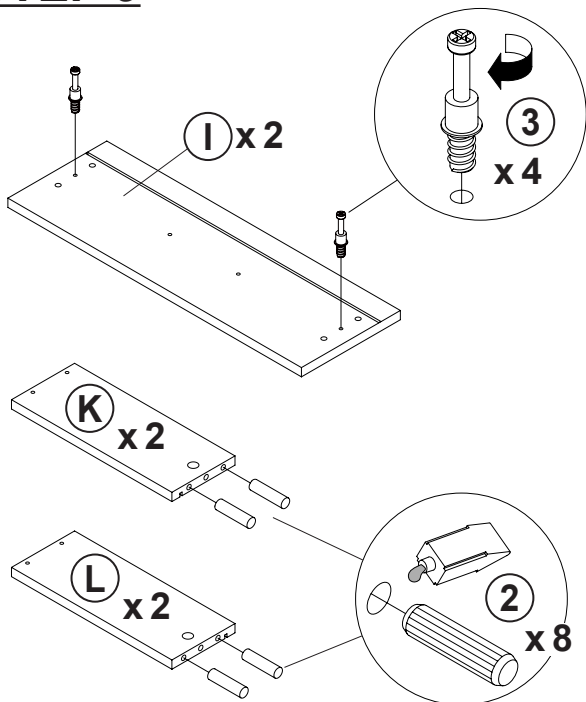
ITEM: 704271

COASTER
FINE FURNITURE

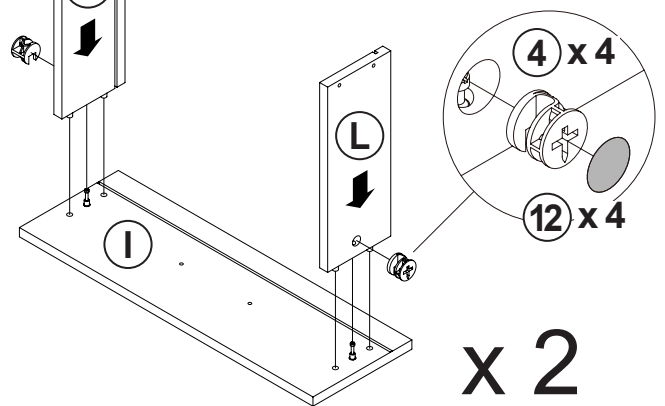
STEP 8



STEP 9

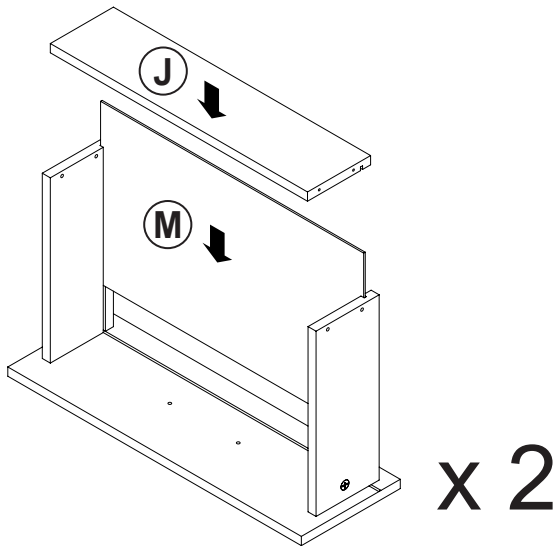


STEP 10

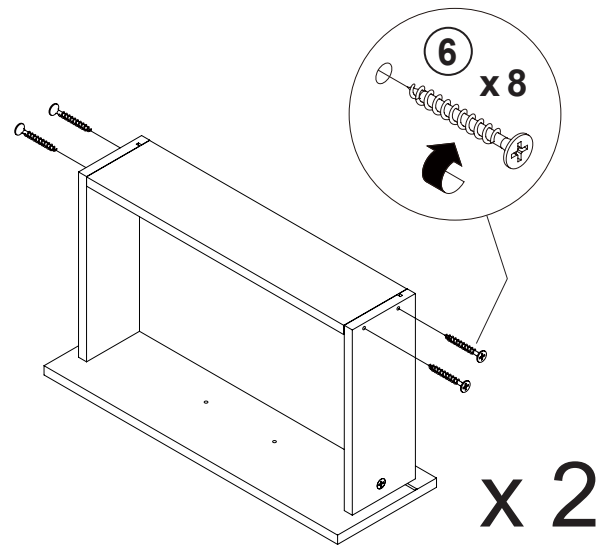


ITEM: 704271

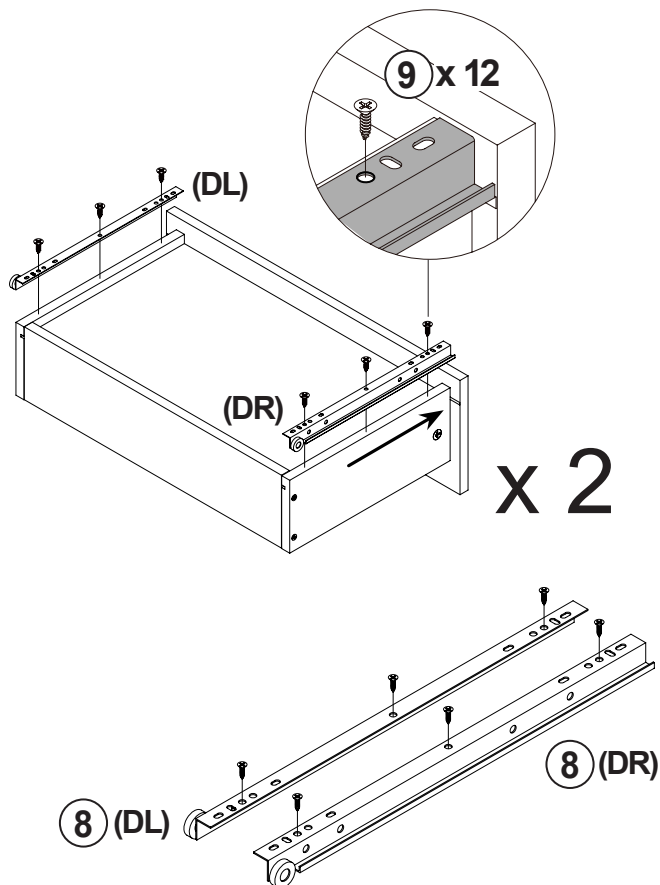
STEP 11



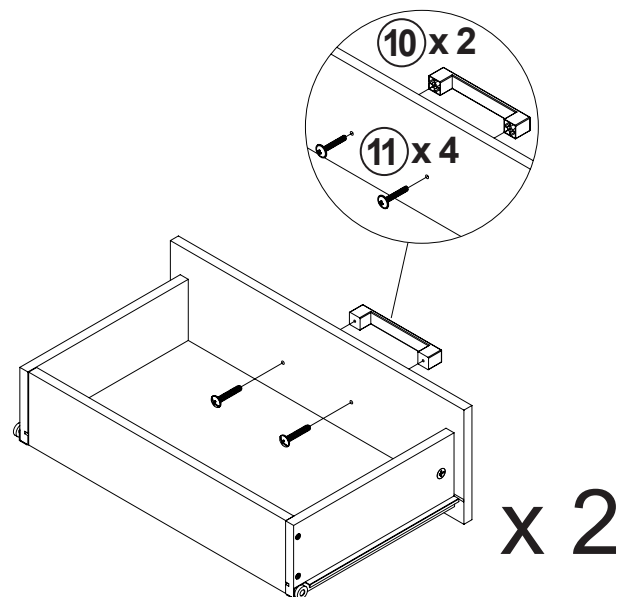
STEP 12



STEP 13

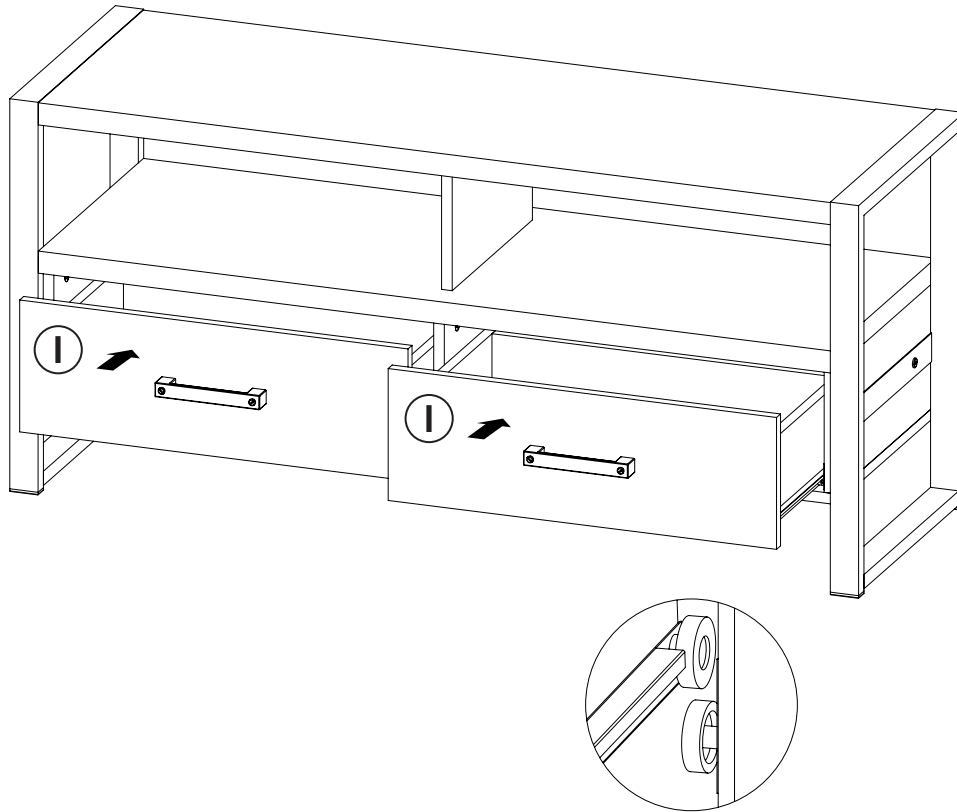


STEP 14



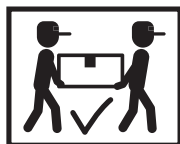
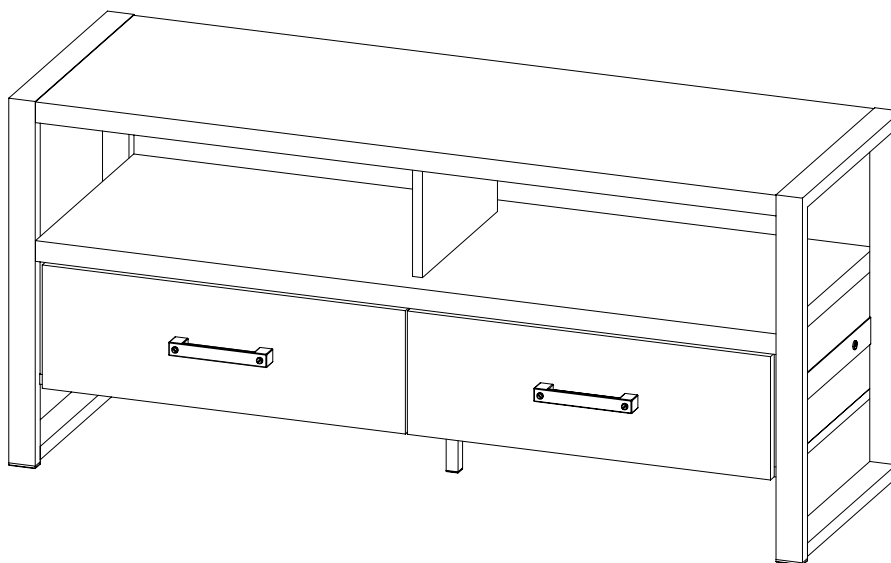
ITEM: 704271

STEP 15

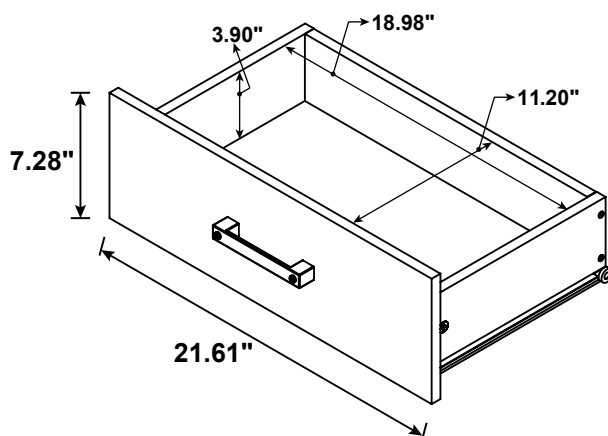
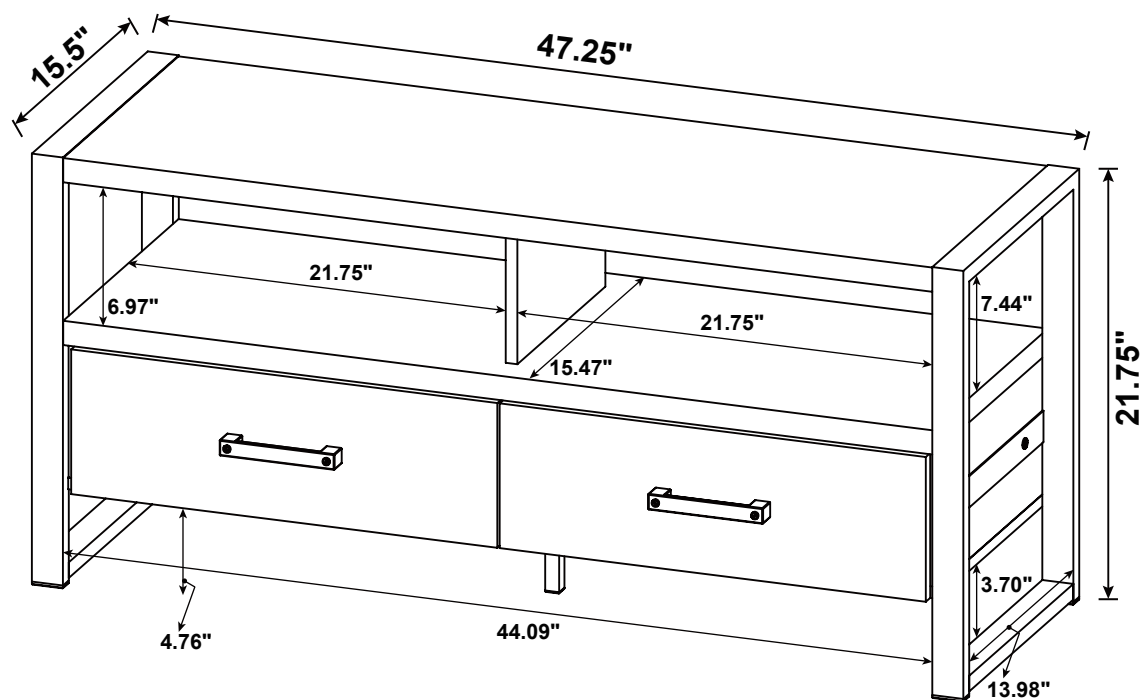


STEP 16

COMPLETE



ITEM: 704271



Note : Dimension tolerance $\pm 5\%$