



*ASSEMBLY INSTRUCTIONS
COASTER FINE FURNITURE*



Fine Furniture for every stage of life

551451
ARMLESS CHAIR

ITEM: 551451

ASSEMBLY INSTRUCTIONS



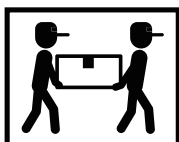
ASSEMBLY TIPS:

1. Remove hardware from box and sort by size.
2. Please check to see that all hardware and parts are present prior to start of assembly.
3. Please follow attached instructions in the same sequence as numbered to assure fast & easy assembly.



WARNING!

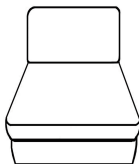
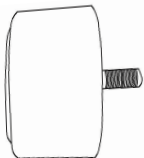
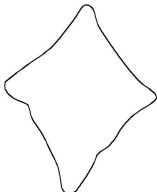
1. Don't attempt to repair or modify parts that are broken or defective. Please contact the store immediately.
2. This product is for home use only and not intended for commercial establishments.



ASSEMBLY TIME

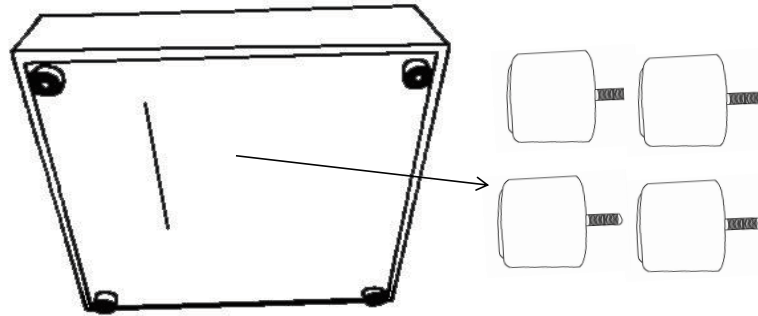
5 MINUTES

PARTS IDENTIFICATION

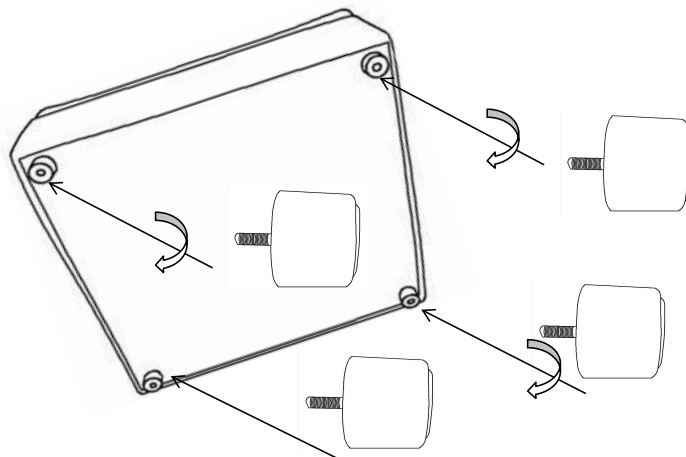
	PART NAME	FIGURE	QUANTITY
A	ARMLESS CHAIR BASE		1PC
B	LEG		4PCS
C	PILLOW		2PCS

ITEM: 551451

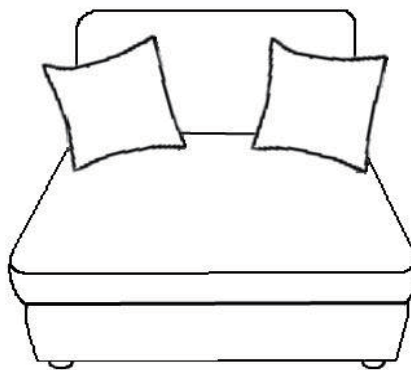
ASSEMBLY INSTRUCTIONS
STEP 1



STEP 2

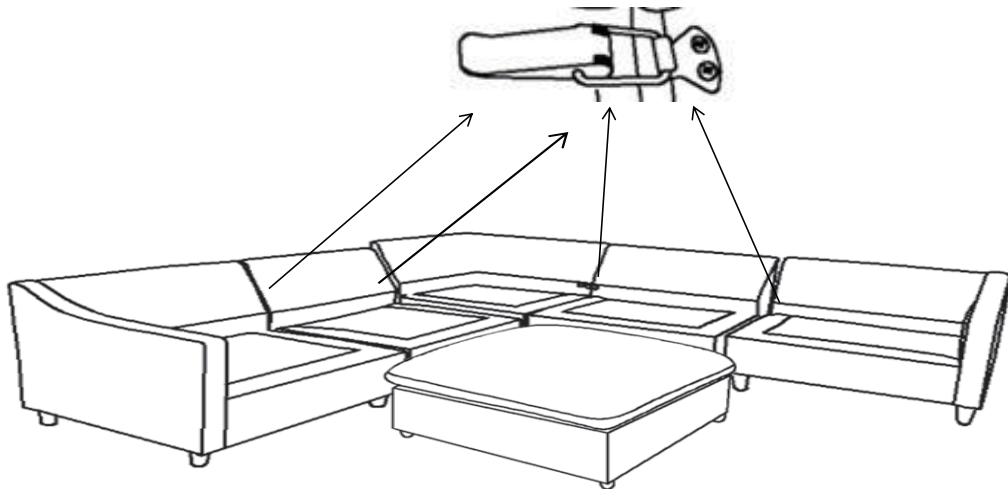


STEP 3

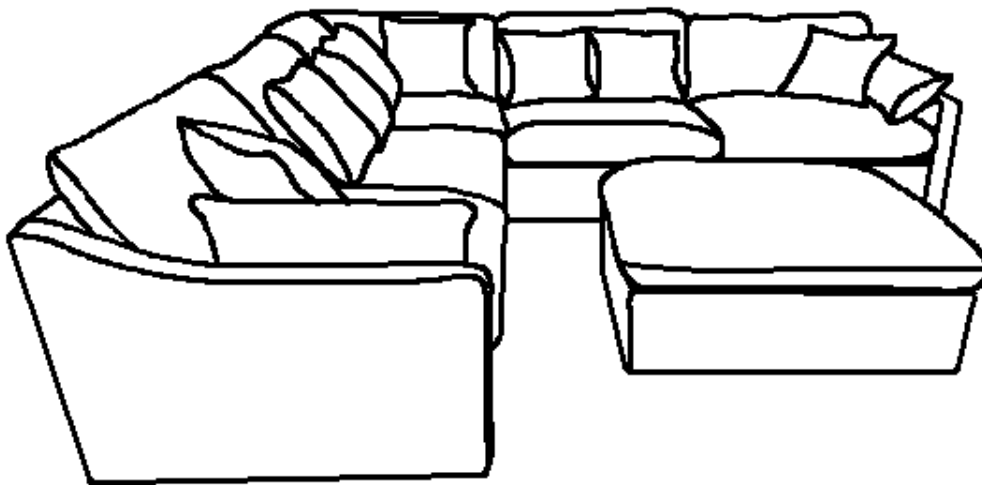


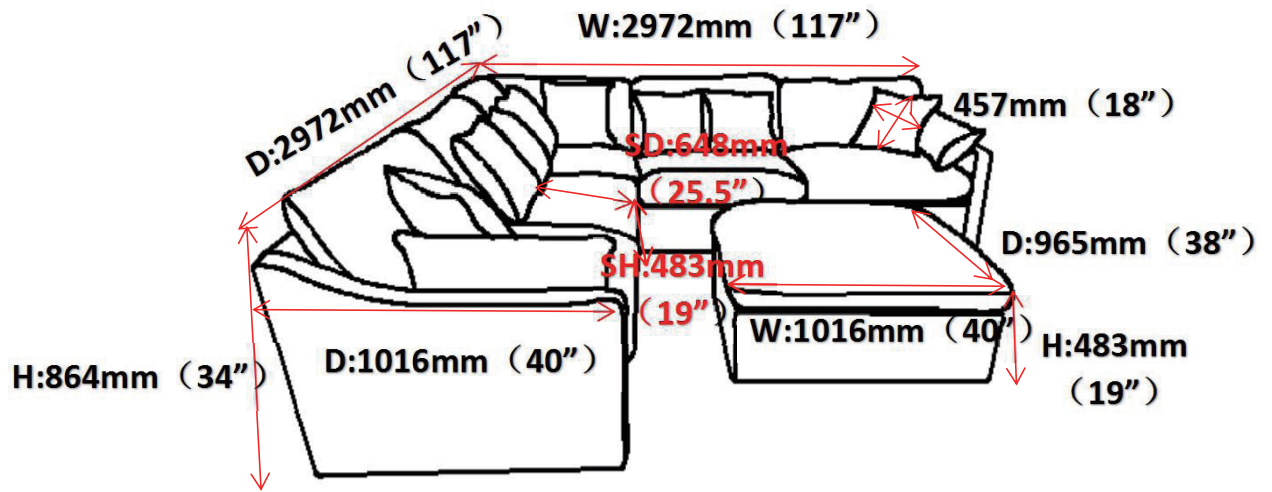
ITEM: 551451

ASSEMBLY INSTRUCTIONS
STEP 2



STEP 1





Note : Dimension tolerance $\pm 5\%$



*ASSEMBLY INSTRUCTIONS
COASTER FINE FURNITURE*



**551452
CORNER**

ITEM: 551452

ASSEMBLY INSTRUCTIONS



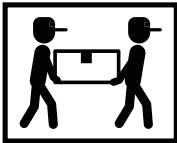
ASSEMBLY TIPS:

1. Remove hardware from box and sort by size.
2. Please check to see that all hardware and parts are present prior to start of assembly.
3. Please follow attached instructions in the same sequence as numbered to assure fast & easy assembly.



WARNING!


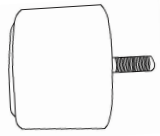
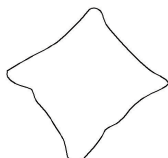
1. Don't attempt to repair or modify parts that are broken or defective. Please contact the store immediately.
2. This product is for home use only and not intended for commercial establishments.



ASSEMBLY TIME

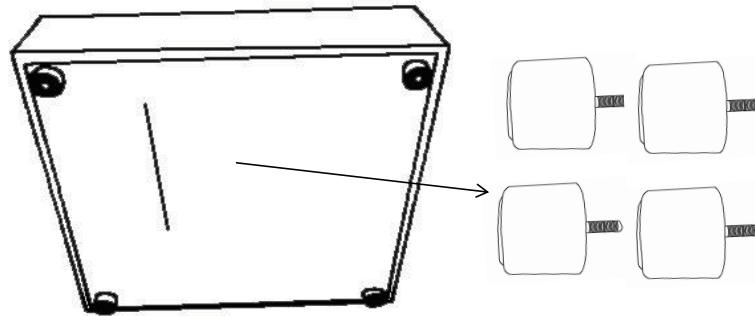
5 MINUTES

PARTS IDENTIFICATION

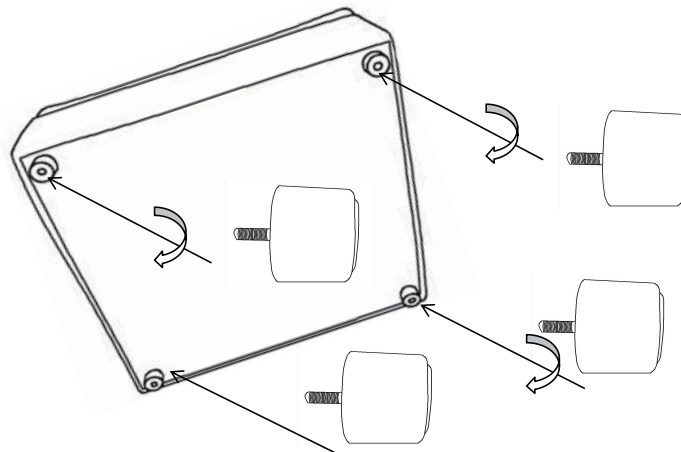
	PART NAME	FIGURE	QUANTITY
D	ARMLESS CHAIR BASE		1PC
E	LEG		4PCS
F	PILLOW		2PCS

ITEM: 551452

ASSEMBLY INSTRUCTIONS
STEP 1



STEP 2



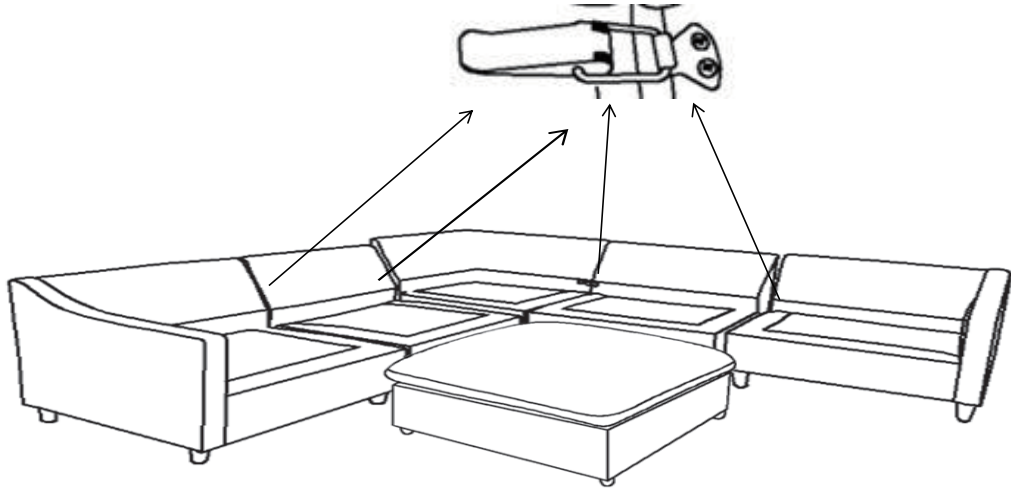
STEP 3



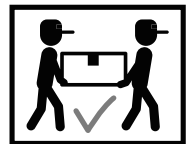
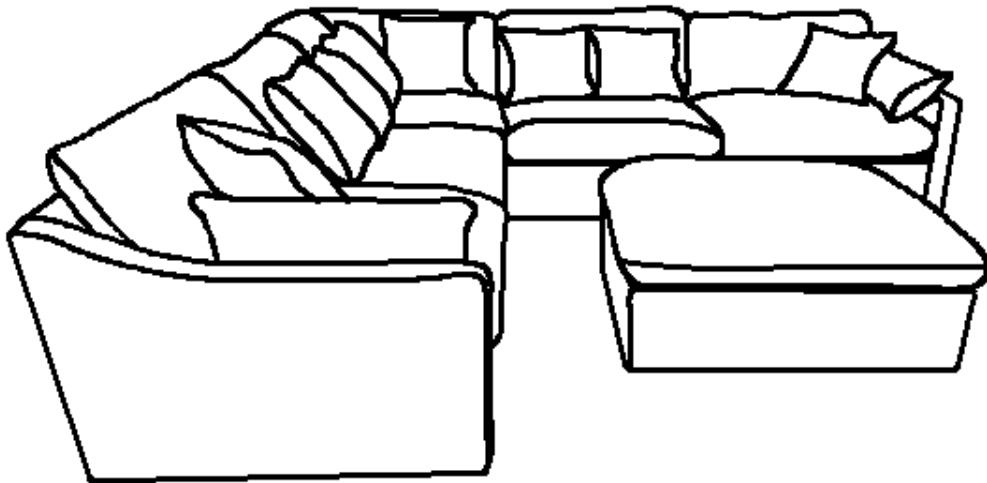
t

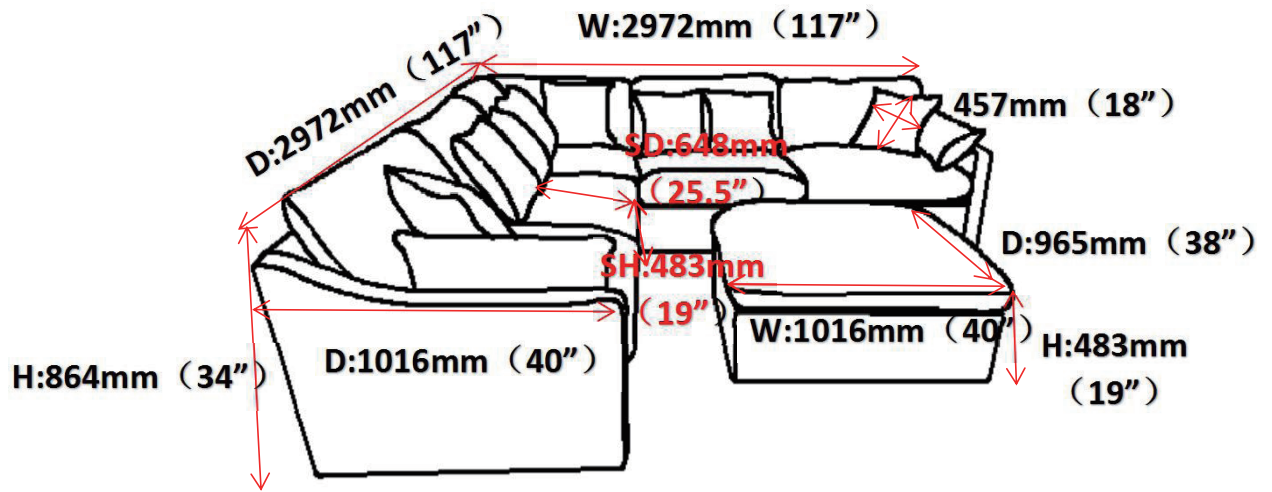
ITEM: 551452

ASSEMBLY INSTRUCTIONS
STEP 2



STEP 1

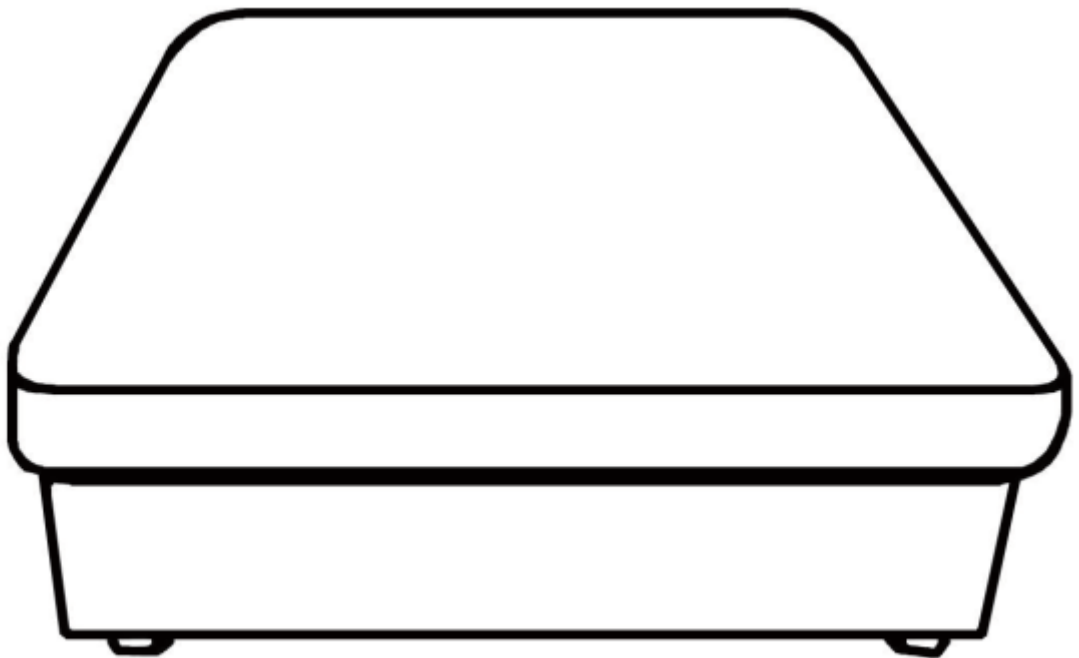




Note : Dimension tolerance $\pm 5\%$



*ASSEMBLY INSTRUCTIONS
COASTER FINE FURNITURE*



551453
OTTOMAN

ITEM: 551453

ASSEMBLY INSTRUCTIONS



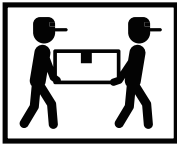
ASSEMBLY TIPS:

1. Remove hardware from box and sort by size.
2. Please check to see that all hardware and parts are present prior to start of assembly.
3. Please follow attached instructions in the same sequence as numbered to assure fast & easy assembly.



WARNING!

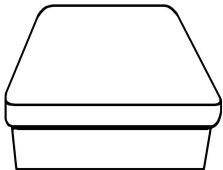

1. Don't attempt to repair or modify parts that are broken or defective. Please contact the store immediately.
2. This product is for home use only and not intended for commercial establishments.



ASSEMBLY TIME

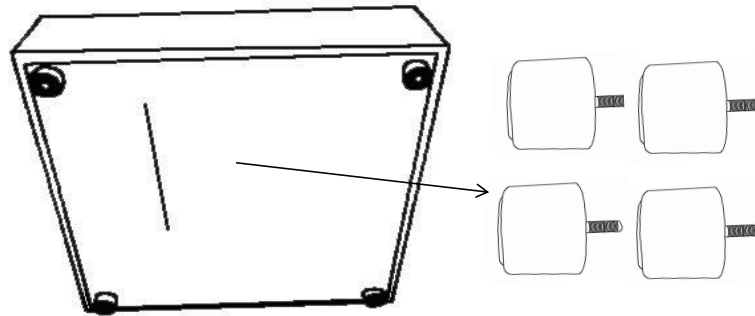
5 MINUTES

PARTS IDENTIFICATION

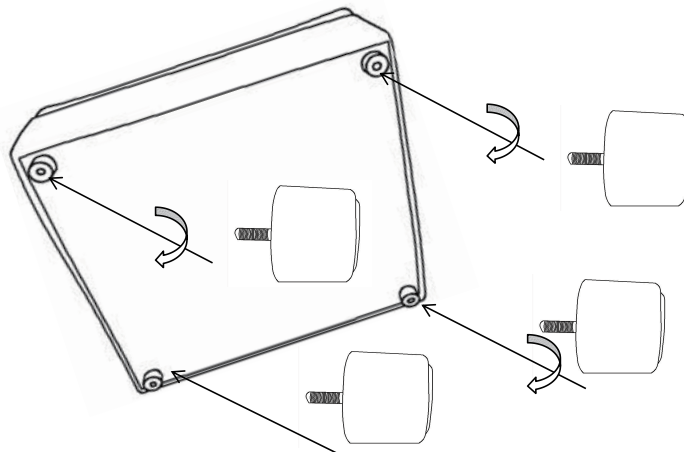
	PART NAME	FIGURE	QUANTITY
G	OTTOMAN BASE		1PC
H	LEG		4PCS

ITEM: 551453

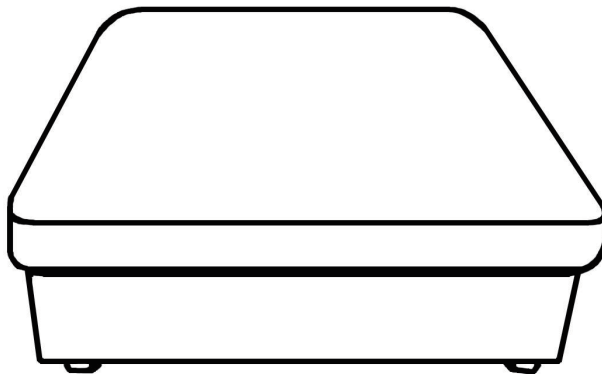
ASSEMBLY INSTRUCTIONS
STEP 1



STEP 2



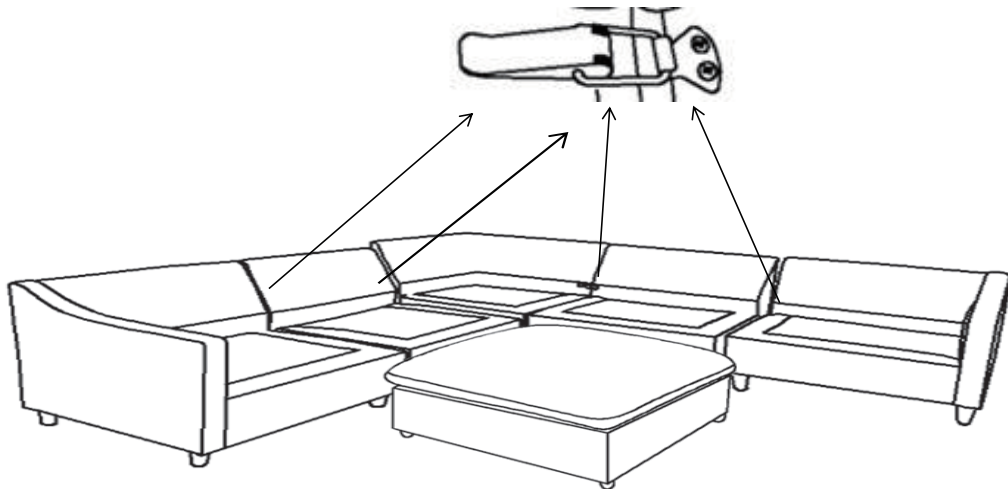
STEP 3



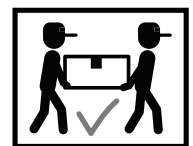
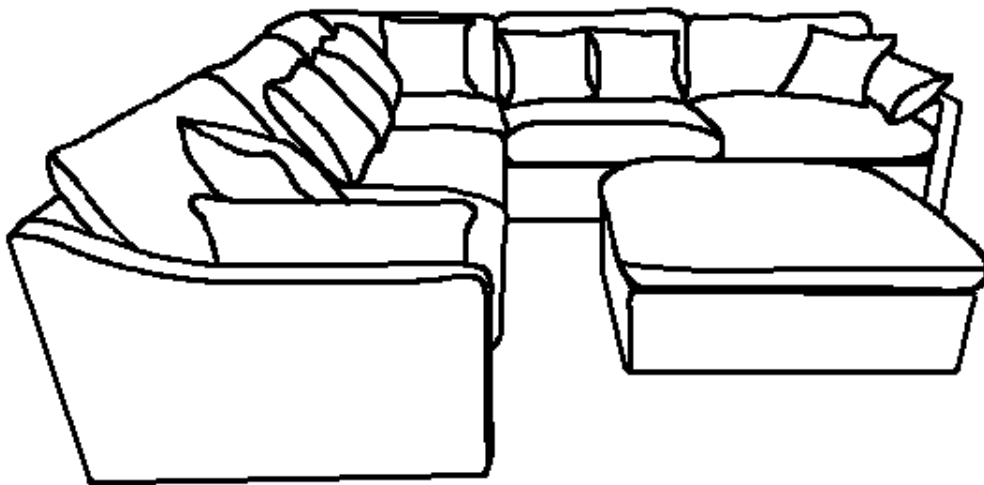
t

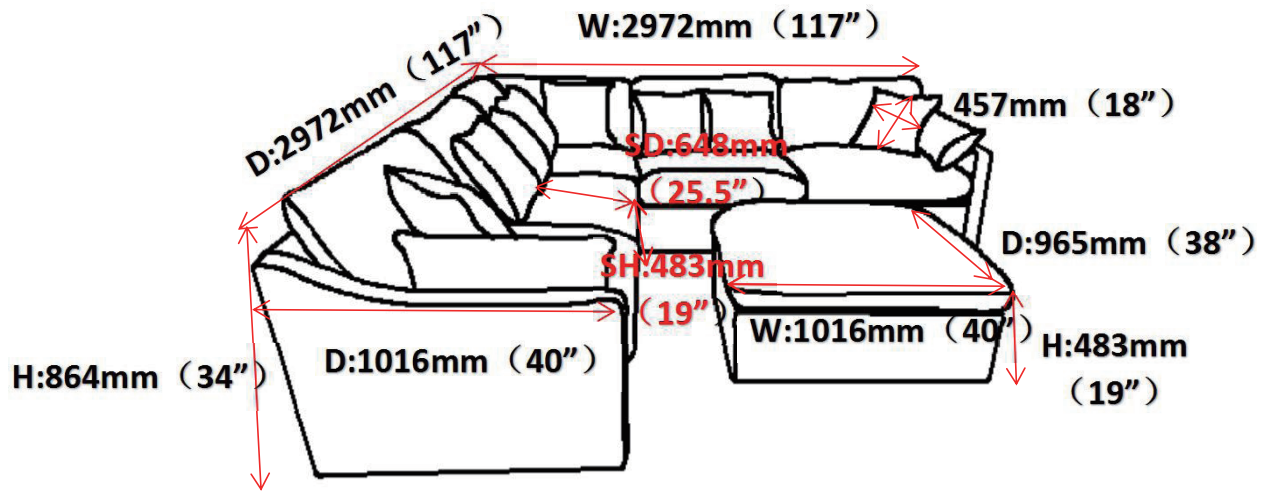
ITEM: 551453

ASSEMBLY INSTRUCTIONS
STEP 2



STEP 1

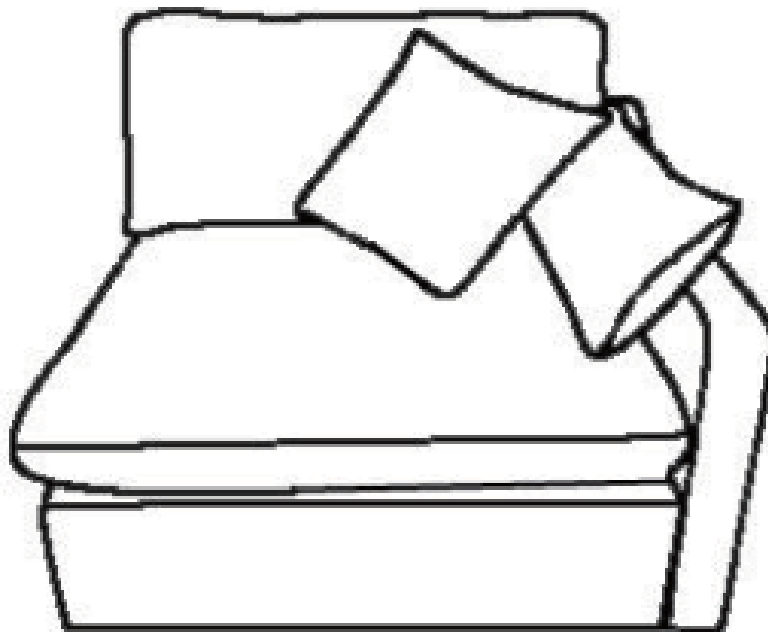




Note : Dimension tolerance $\pm 5\%$



*ASSEMBLY INSTRUCTIONS
COASTER FINE FURNITURE*



**551454RAF
RAF CHAIR**

ITEM: 551454RAF

ASSEMBLY INSTRUCTIONS



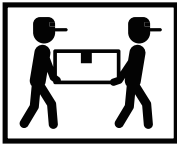
ASSEMBLY TIPS:

1. Remove hardware from box and sort by size.
2. Please check to see that all hardware and parts are present prior to start of assembly.
3. Please follow attached instructions in the same sequence as numbered to assure fast & easy assembly.



WARNING!

1. Don't attempt to repair or modify parts that are broken or defective. Please contact the store immediately.
2. This product is for home use only and not intended for commercial establishments.



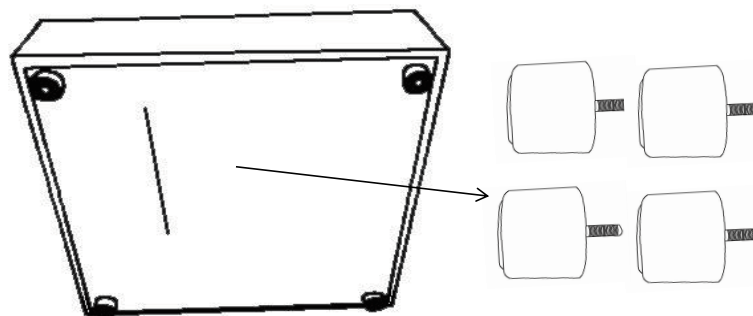
ASSEMBLY TIME

5 MINUTES

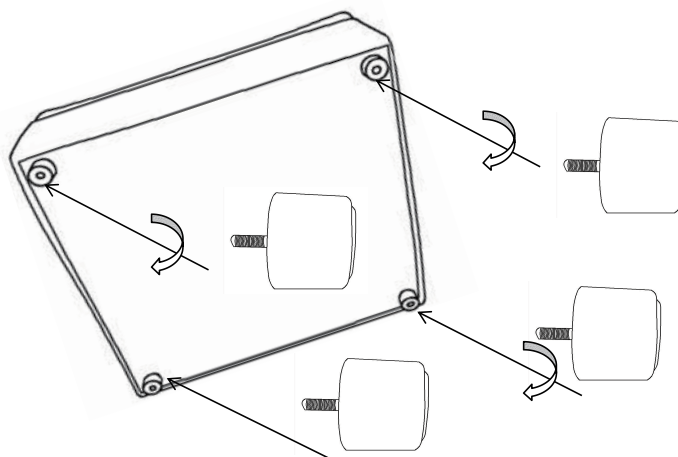
PARTS IDENTIFICATION

	PART NAME	FIGURE	QUANTITY
I	RAF ARMLESS CHAIR BASE		1PC
J	LEG		4PCS
K	PILLOW		1PC
L	ARM PILLOW		1PC

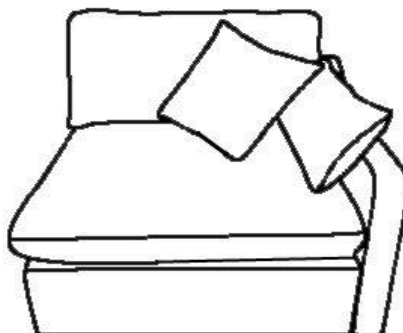
ITEM: 551454RAF
ASSEMBLY INSTRUCTIONS
STEP 1



STEP 2



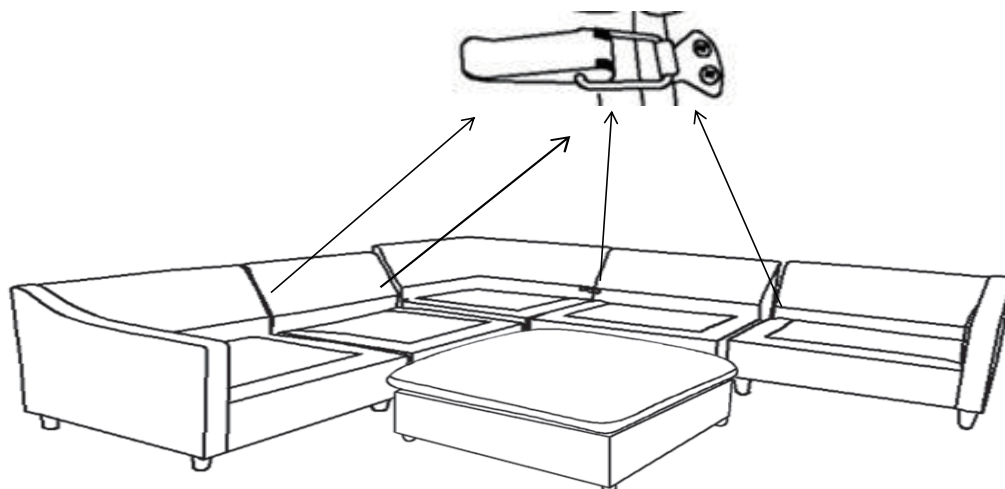
STEP 3



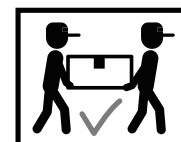
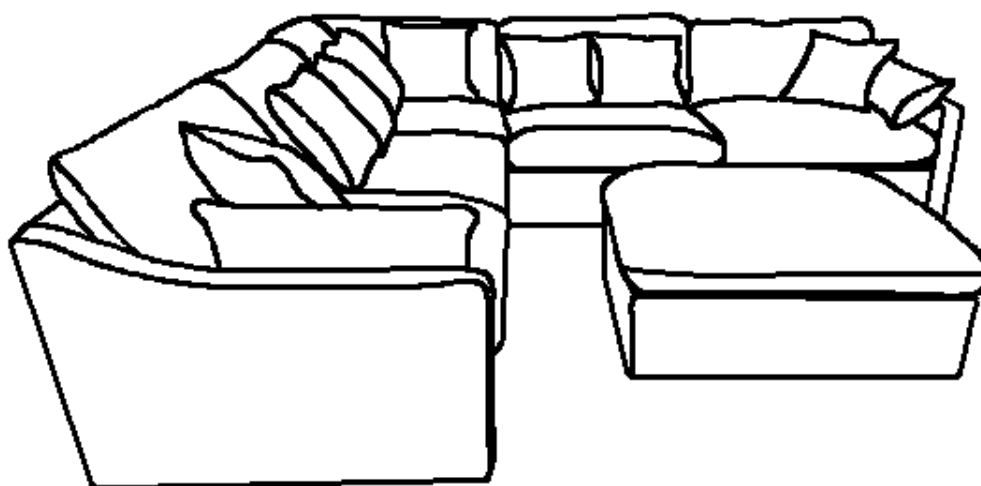
t

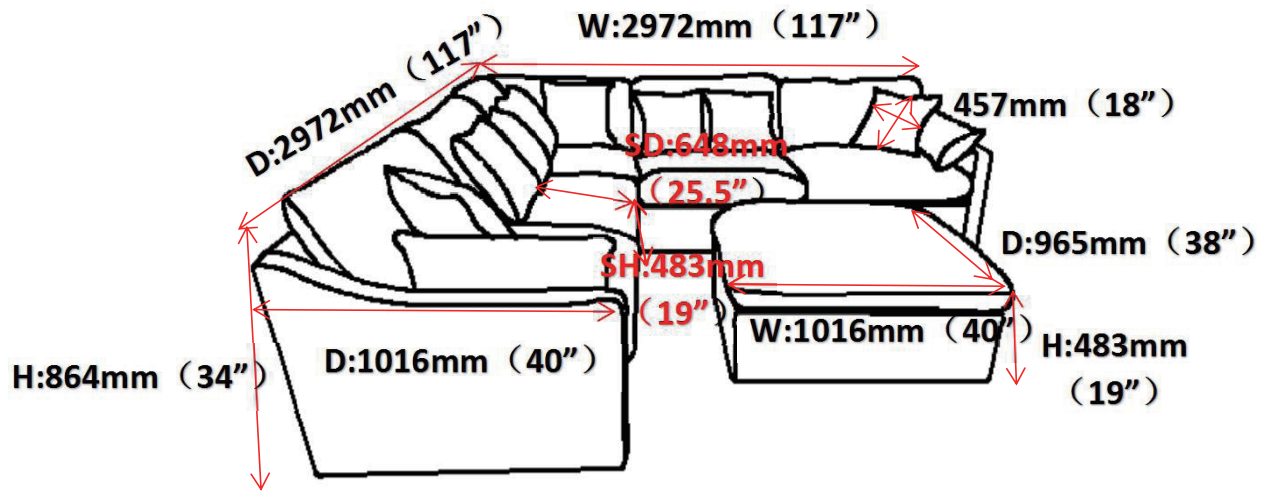
ITEM: 551454RAF

ASSEMBLY INSTRUCTIONS
STEP 2



STEP 1





Note : Dimension tolerance $\pm 5\%$



*ASSEMBLY INSTRUCTIONS
COASTER FINE FURNITURE*



**551454LAF
LAF CHAIR**

ITEM: 551454LAF

ASSEMBLY INSTRUCTIONS



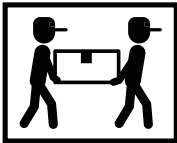
ASSEMBLY TIPS:

1. Remove hardware from box and sort by size.
2. Please check to see that all hardware and parts are present prior to start of assembly.
3. Please follow attached instructions in the same sequence as numbered to assure fast & easy assembly.



WARNING!

1. Don't attempt to repair or modify parts that are broken or defective. Please contact the store immediately.
2. This product is for home use only and not intended for commercial establishments.



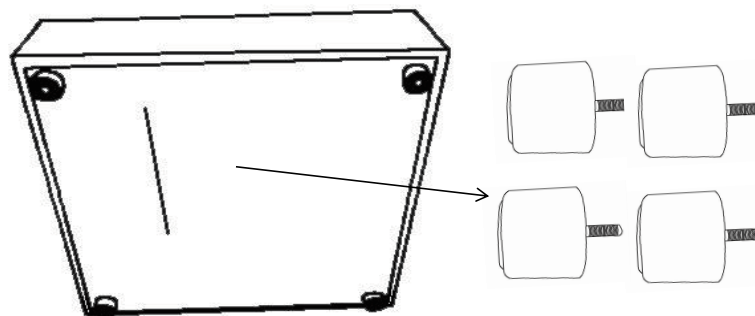
ASSEMBLY TIME

5 MINUTES

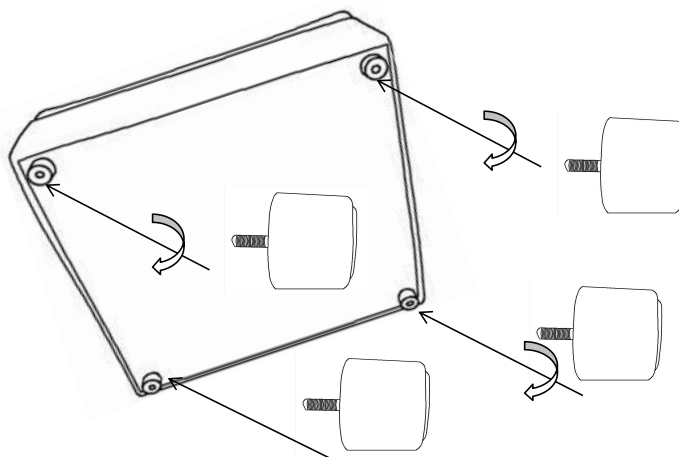
PARTS IDENTIFICATION

	PART NAME	FIGURE	QUANTITY
M	LAF CHAIR		1PC
O	LEG		4PCS
P	PILLOW		1PC
Q	ARM PILLOW		1PC

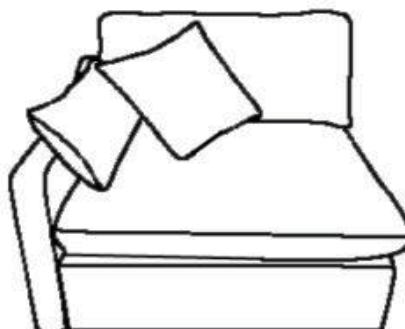
ITEM: 551454LAF
ASSEMBLY INSTRUCTIONS
STEP 1



STEP 2



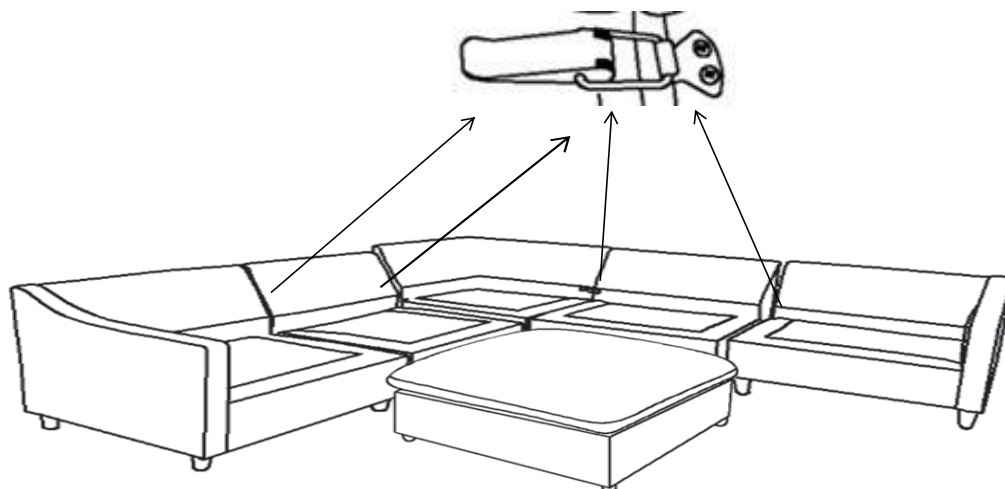
STEP 3



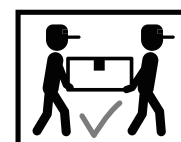
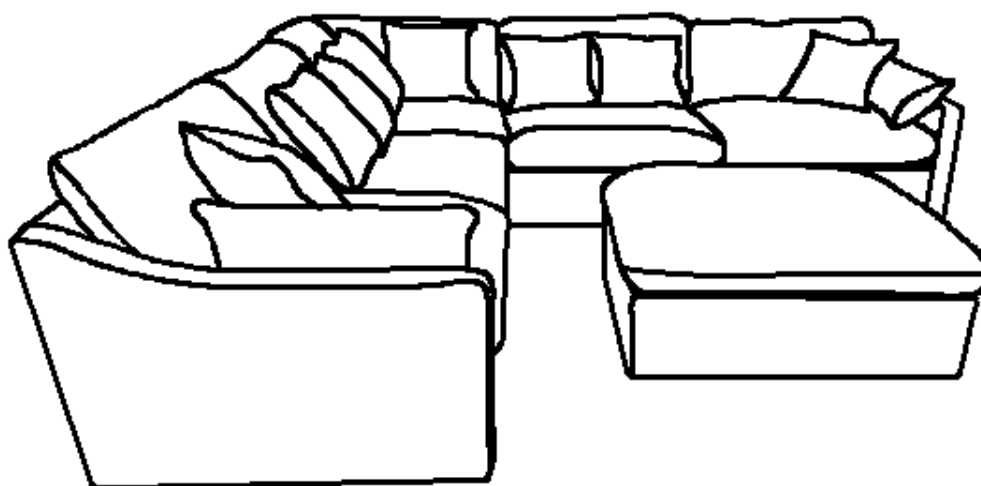
t

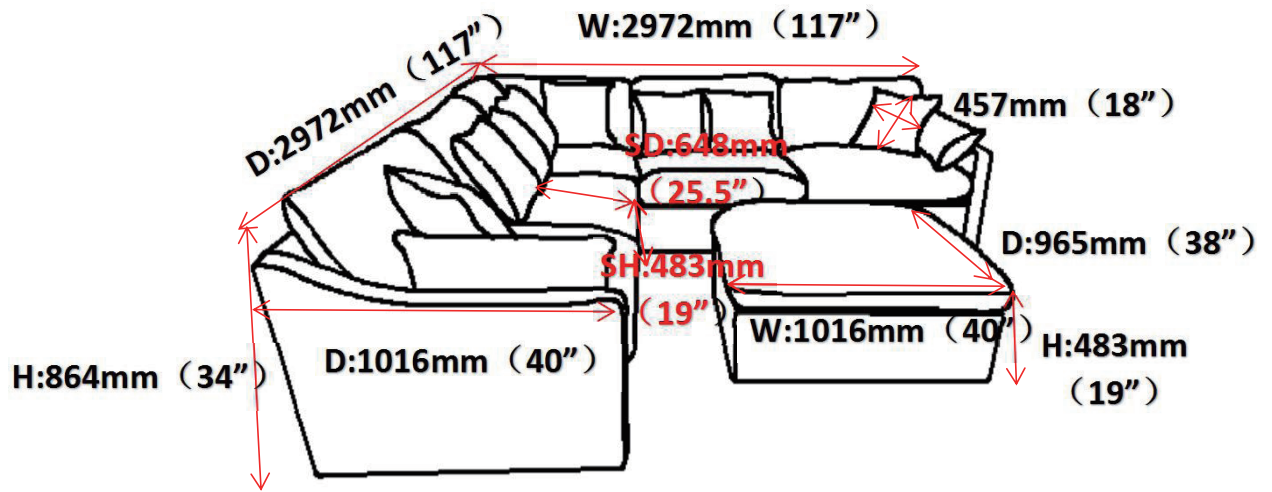
ITEM: 551454LAF

ASSEMBLY INSTRUCTIONS
STEP 2



STEP 1





Note : Dimension tolerance $\pm 5\%$