

ASSEMBLY INSTRUCTIONS
COASTER FINE FURNITURE



Fine Furniture for every stage of life

222931Q(B1&B2)
Queen Bed

ITEM: 222931Q(B1&B2)



ASSEMBLY INSTRUCTIONS

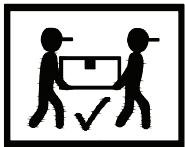
ASSEMBLY TIPS:

1. Remove hardware from box and sort by size.
2. Please check to see that all hardware and parts are present prior to start of assembly.
3. Please follow attached instructions in the same sequence as numbered to assure fast & easy assembly.



WARNING!

1. Don't attempt to repair or modify parts that are broken or defective. Please contact the store immediately.
2. This product is for home use only and not intended for commercial establishments.

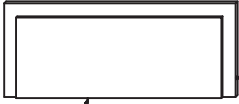




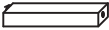




ASSEMBLY TIME

30 MINUTES

PARTS IDENTIFICATION

B1 (BOX 1)

A	HEADBOARD PANEL		1PC	E	LEG		2PCS
B	LEFT HEADBOARD LEG (WITH "L" LABEL)		1PC	F	BED SLAT		4PCS
C	RIGHT HEADBOARD LEG (WITH "R" LABEL)		1PC	G	BED SLAT SUPPORT WITH LEVELER		4PCS
D	FOOTBOARD PANEL		1PC	H	WOOD CLEAT		2PCS

B2 (BOX 2)

I	BED RAIL		2PCS
---	----------	---	------

ITEM: 222931Q(B1&B2)



ASSEMBLY INSTRUCTIONS

ASSEMBLY TIPS:

1. Remove hardware from box and sort by size.
2. Please check to see that all hardware and parts are present prior to start of assembly.
3. Please follow attached instructions in the same sequence as numbered to assure fast & easy assembly.





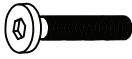









WARNING!

1. Don't attempt to repair or modify parts that are broken or defective. Please contact the store immediately.
2. This product is for home use only and not intended for commercial establishments.

HARDWARE IDENTIFICATION

Z-B1 (BOX 1) - HARDWARE PACK IS LOCATED IN 222931Q (B1)

1	BOLT 1 (M8 x 16mm - RBW)		8PCS	7	FLAT HEAD SCREW (M4 x 32MM - RBW)		8PCS
2	BOLT 2 (M6 x 40mm - RBW)		4PCS	8	SMALL ALLEN WRENCH (M4 x 65MM - BLK)		1PC
3	BOLT 3 (M8 x 35mm - RBW)		6PCS	9	BIG ALLEN WRENCH (M5 x 65MM - BLK)		1PC
4	BOLT 4 (M6 x 35mm - RBW)		8PCS	10	ADAPTOR PLUG		1PC
5	BIG LOCK WASHER (5/16" x 14ø - RBW)		6PCS	11	SMALL LOCK WASHER (1/4" x 12ø - RBW)		8PCS
6	BIG FLAT WASHER (5/16" x 22ø - RBW)		6PCS	12	SMALL FLAT WASHER (1/4" x 19ø - RBW)		8PCS

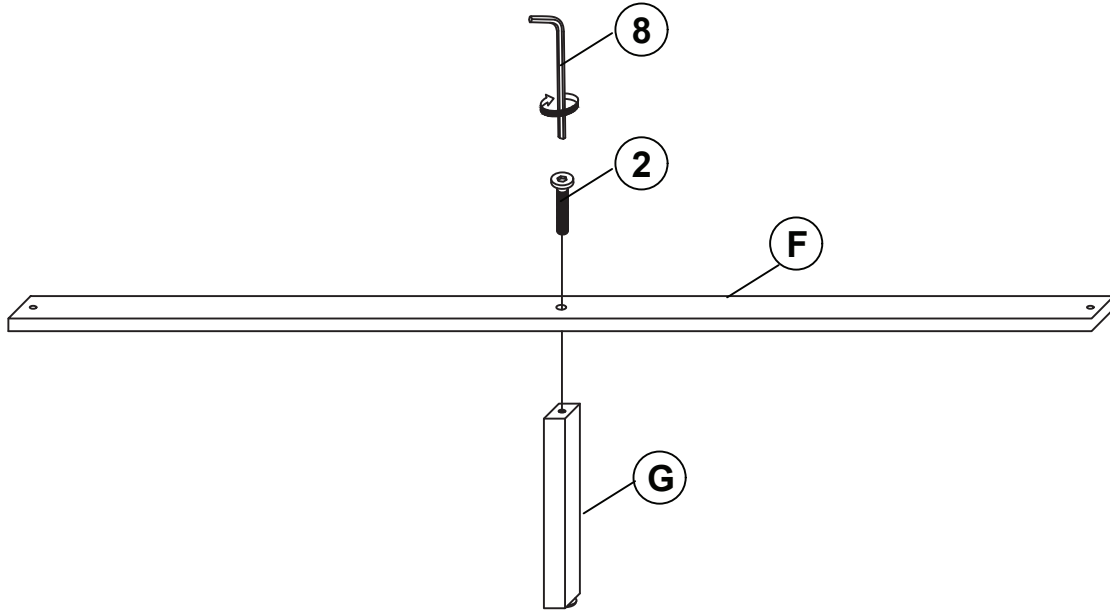
NOTE:

Phillips head screw driver is required in the assembly process; however, manufacturer does not provided this item.

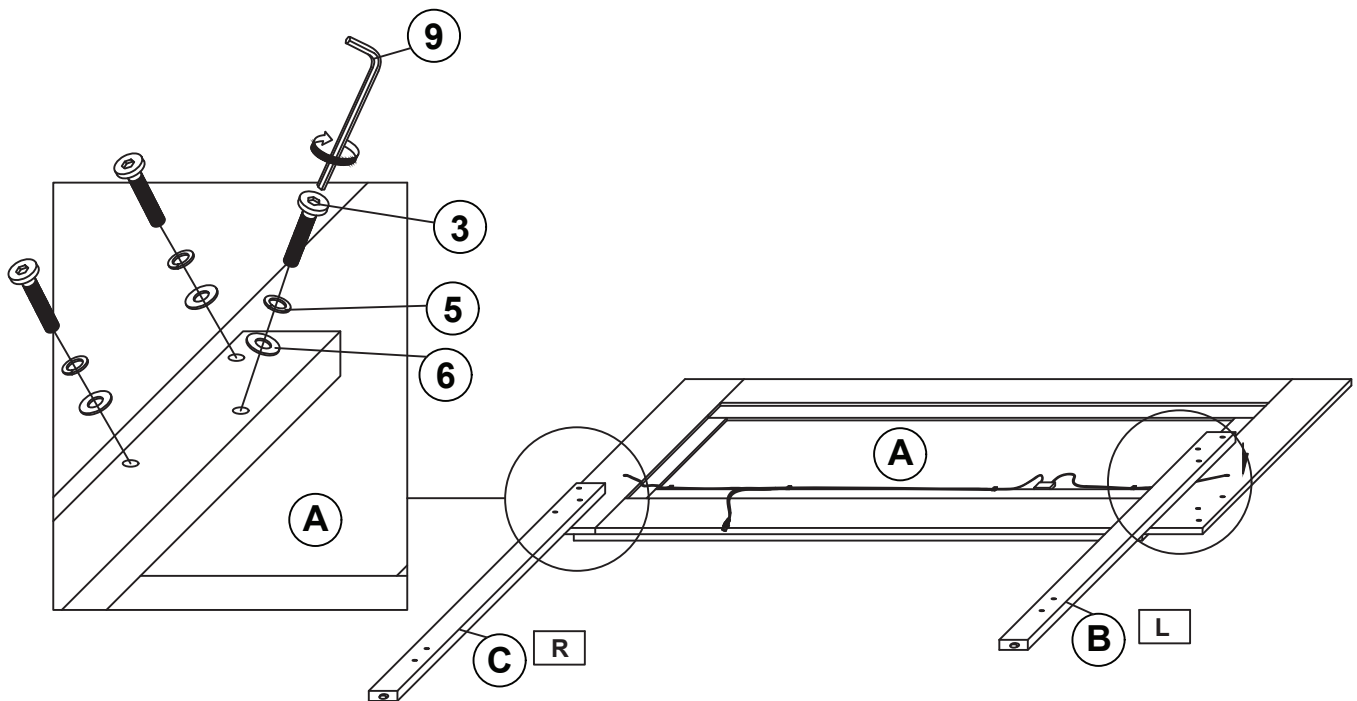
ITEM: 222931Q(B1&B2)

ASSEMBLY INSTRUCTIONS

STEP 1



STEP 2

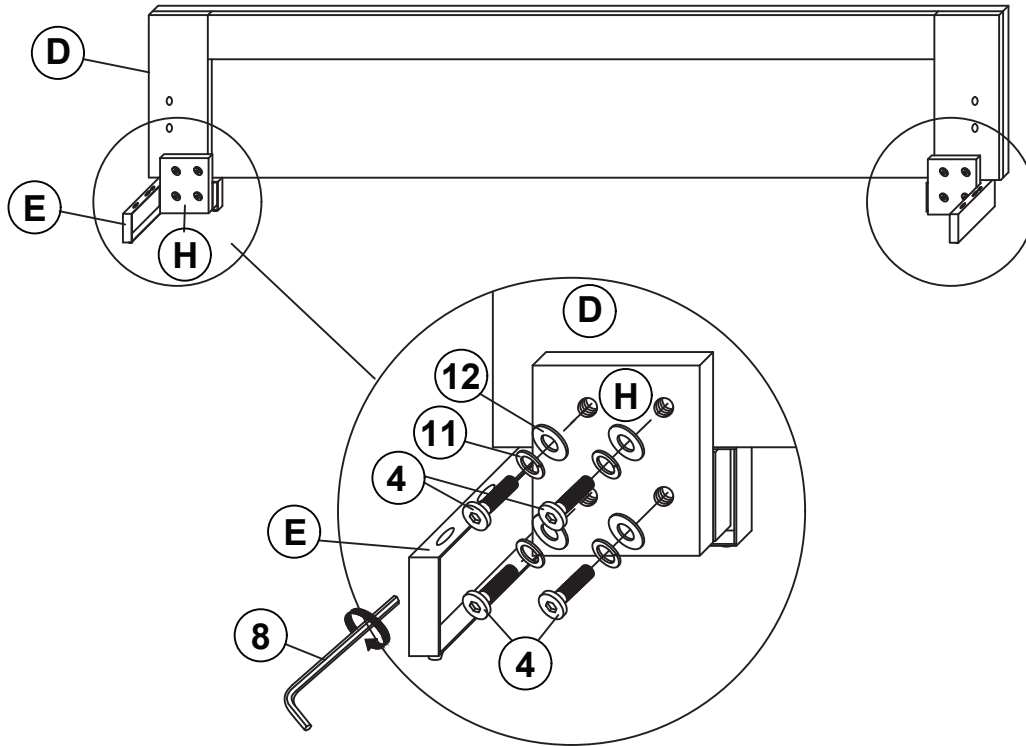


** BACK VIEW

ITEM: 222931Q(B1&B2)

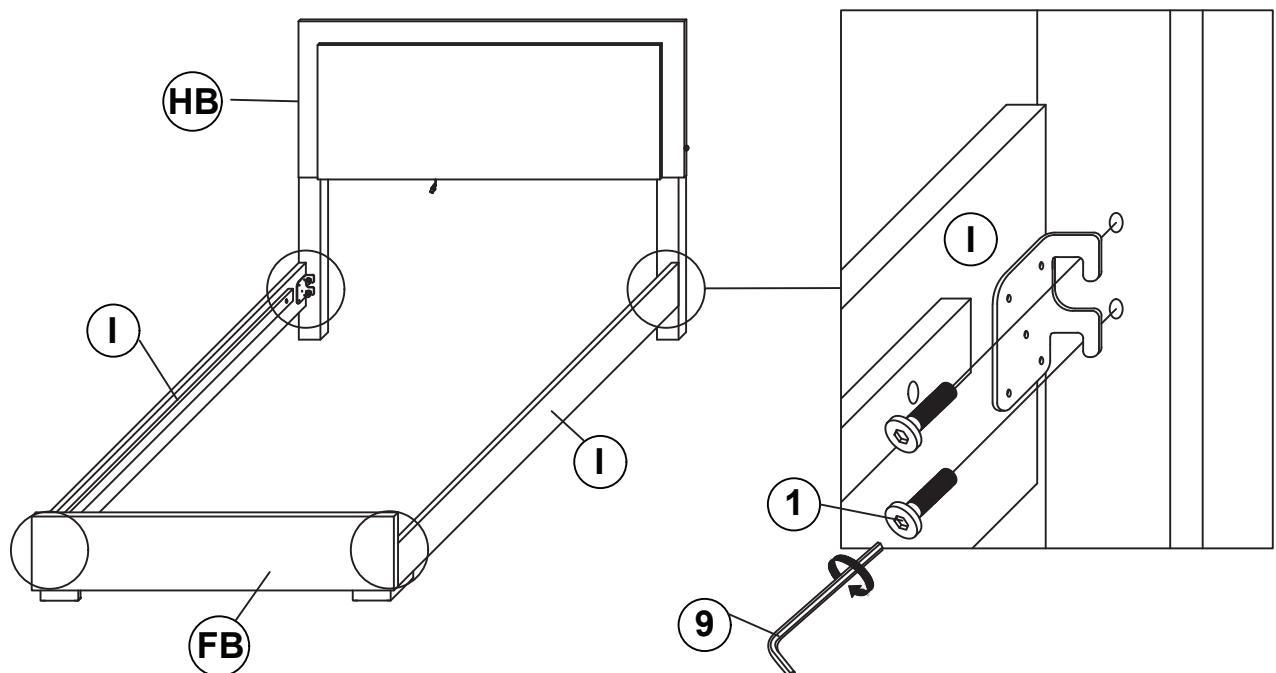
ASSEMBLY INSTRUCTIONS

STEP 3



**** BACK VIEW**

STEP 4

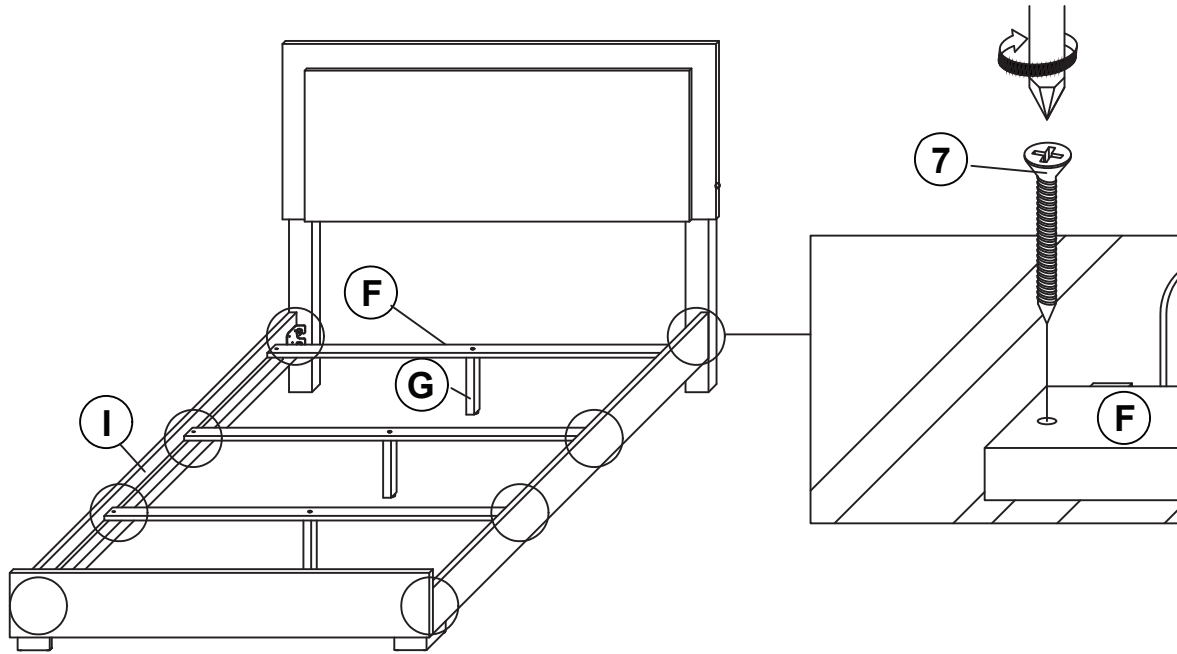


ITEM: 222931Q(B1&B2)

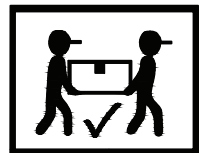
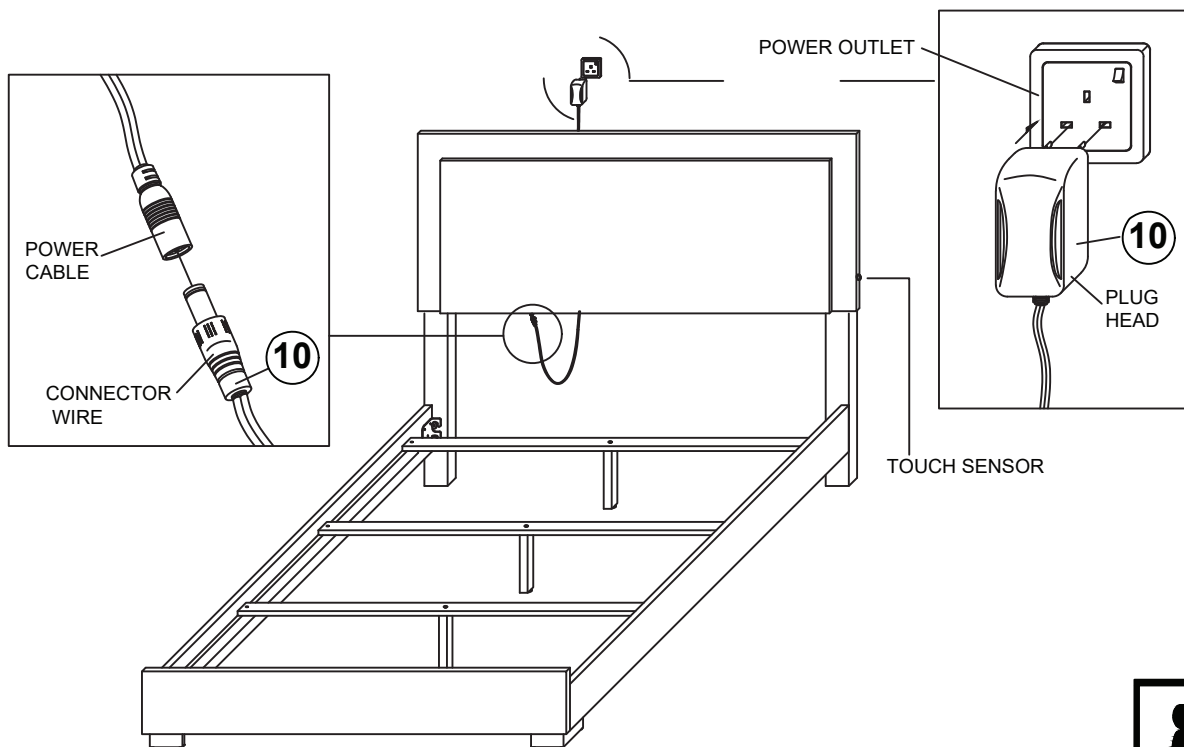


ASSEMBLY INSTRUCTIONS

STEP 5



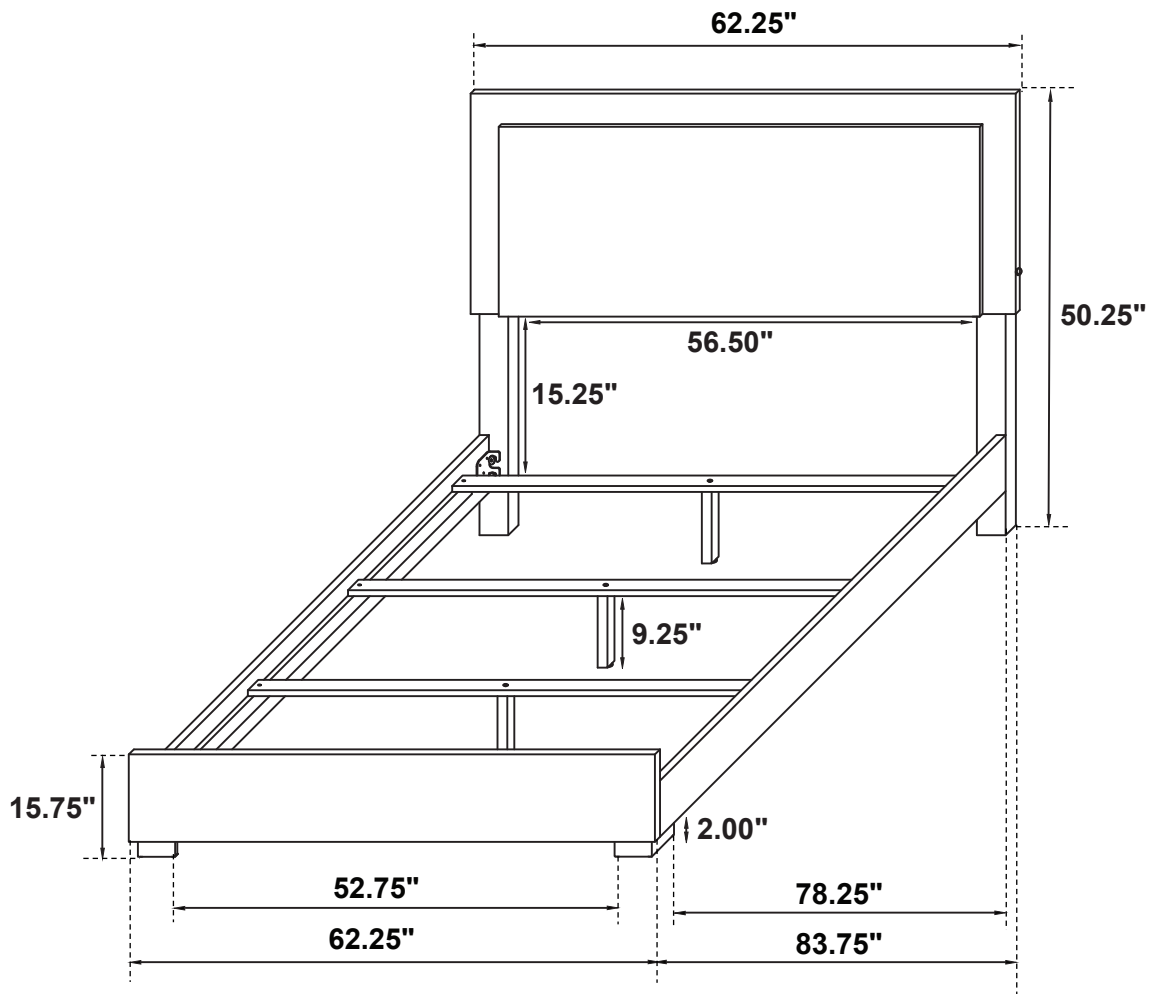
STEP 6 COMPLETE



ITEM: **222931Q(B1&B2)**



Inner Size : 60.75"W X 80.00"D



Note : Dimension tolerance $\pm 5\%$