

JENNAIR® INDOOR/OUTDOOR WARMING DRAWER

TIROIR-RÉCHAUD JENNAIR® POUR USAGE INTÉRIEUR/EXTÉRIEUR

Use & Care Guide

For questions about features, operation/performance, parts, accessories, or service in the U.S.A., call:
1-800-JENNAIR (1-800-536-6247) or visit our website at www.jennair.com.
In Canada, call: **1-800-JENNAIR (1-800-536-6247)** or visit our website at www.jennair.ca.

Guide d'utilisation et d'entretien

Pour des questions à propos des caractéristiques, du fonctionnement/rendement, des pièces, accessoires ou dépannage, composer le :
1 800 JENNAIR (1 800 536-6247) ou visiter notre site Web au www.jennair.com.
Au Canada, composer le : **1 800 JENNAIR (1 800 536-6247)** ou visiter notre site Web au www.jennair.ca.



TABLE OF CONTENTS

WARMING DRAWER SAFETY	2
Electrical Requirements	4
WARMING DRAWER USE	4
Control Knob	4
Setting the Controls	5
Warming Cookware.....	5
Silicon Mat.....	5
Proofing Bread	5
Slow Cooking	5
WARMING DRAWER CARE	6
General Cleaning.....	6
TROUBLESHOOTING	7
ASSISTANCE OR SERVICE	8
In the U.S.A.	8
In Canada	8
Accessories	8

TABLE DES MATIÈRES

SÉCURITÉ DU TIROIR-RÉCHAUD	9
Spécifications électriques	11
UTILISATION DU TIROIR-RÉCHAUD	11
Bouton de commande	11
Réglage des commandes	12
Ustensiles de réchauffage.....	12
Tapis en silicone	12
Levée du pain	12
Cuisson Lente	12
ENTRETIEN DU TIROIR-RÉCHAUD	13
Nettoyage général	13
DÉPANNAGE	14
ASSISTANCE OU SERVICE	15
Aux É.-U.	15
Au Canada.....	15
Accessories	15

WARMING DRAWER SAFETY

Your safety and the safety of others are very important.

We have provided many important safety messages in this manual and on your appliance. Always read and obey all safety messages.



This is the safety alert symbol.

This symbol alerts you to potential hazards that can kill or hurt you and others.

All safety messages will follow the safety alert symbol and either the word "DANGER" or "WARNING."

These words mean:

⚠ DANGER

You can be killed or seriously injured if you don't immediately follow instructions.

⚠ WARNING

You can be killed or seriously injured if you don't follow instructions.

All safety messages will tell you what the potential hazard is, tell you how to reduce the chance of injury, and tell you what can happen if the instructions are not followed.

IMPORTANT SAFETY INSTRUCTIONS

WARNING: To reduce the risk of fire, electrical shock, injury to persons, or damage when using the warming drawer, follow basic precautions, including the following:

- Read all instructions.
- Proper Installation – Be sure the warming drawer is properly installed and grounded by a qualified technician.
- Never Use the Warming Drawer for Warming or Heating the Room.
- Do Not Leave Children Alone – Children should not be left alone or unattended in area where warming drawer is in use. They should never be allowed to sit or stand on any part of the warming drawer.
- Wear Proper Apparel – Loose-fitting or hanging garments should never be worn while using the warming drawer.
- User Servicing – Do not repair or replace any part of the warming drawer unless specifically recommended in the manual. All other servicing should be referred to a qualified technician.
- Storage in Warming Drawer – Flammable materials should not be stored in a warming drawer.
- Do Not Use Water on Grease Fires – Smother fire or flame or use dry chemical or foam-type extinguisher.
- Use Only Dry Potholders – Moist or damp potholders on hot surfaces may result in burns from steam. Do not let potholder touch hot heating elements. Do not use a towel or other bulky cloth.
- Use Care When Opening Drawer – Let hot air or steam escape before removing or replacing food.
- Do Not Heat Unopened Food Containers – Build-up of pressure may cause container to burst and result in injury.
- Placement of Warming Drawer Racks – Always place warming drawer racks in desired location while warming drawer is cool. If rack must be moved while warming drawer is hot, do not let potholder contact hot heating element in warming drawer.
- DO NOT TOUCH HEATING ELEMENTS OR INTERIOR SURFACES OF WARMING DRAWER – Heating elements may be hot even though they are dark in color. Interior surfaces of a warming drawer become hot enough to cause burns. During and after use, do not touch, or let clothing or other flammable materials contact heating elements or interior surfaces of warming drawer until they have had sufficient time to cool. Other surfaces of the warming drawer may become hot enough to cause burns – among these surfaces are warming drawer vent openings and surfaces near these openings and warming drawer doors.
- Do not touch hot surfaces. Use handles or knobs.
- Do not operate any appliance with a damaged cord or plug or after the appliance malfunctions or has been damaged in any manner. Return appliance to the nearest authorized service facility for examination, repair or adjustment.
- The use of accessory attachments not recommended by the warming drawer manufacturer may cause injuries.
- Do not use warming drawer for other than intended use.
- To reduce risk of electric shock, do not mount over a sink.
- This product is designed for household use only.
- Do not place on or near a hot gas or electric burner, or in a heated oven.
- To protect against electrical shock, do not immerse cord or plugs in water or other liquid.
- Do not let cord hang over edge of table or counter, or touch hot surfaces.
- Do not clean this product with a water spray or the like.
- The cord should be arranged so that it will not drape over the counter top or tabletop where it can be pulled on by children or tripped over unintentionally.

SAVE THESE INSTRUCTIONS

Electrical Requirements

⚠ WARNING



Electrical Shock Hazard

- Plug into a grounded 3 prong outlet.**
- Do not remove ground prong.**
- Do not use an adapter.**
- Do not use an extension cord.**
- Failure to follow these instructions can result in death, fire, or electrical shock.**

A 120 V, 60 Hz, AC only 15 A electrical supply, properly grounded in accordance with the National Electrical Code and local codes and ordinances, is required.

It is recommended that a separate circuit, serving only your warming drawer, be provided.

Grounding Instructions

This appliance shall be grounded while in use to protect the operator from electrical shock. The appliance is equipped with a 3-conductor cord and a 3-prong grounding-type plug to fit the proper grounding-type receptacle. Plug into a GFCI-protected outdoor receptacle, where available.

It is important to make sure you have the proper electrical connection:

WARMING DRAWER USE

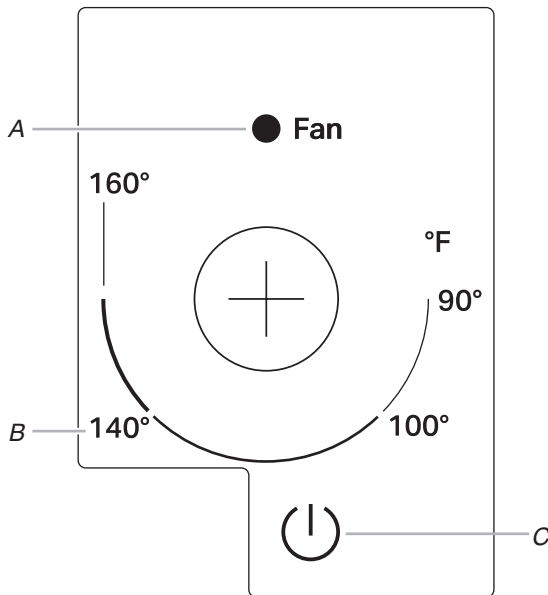
Before using the warming drawer for the first time, remove all stickers placed on the front and door of the warming drawer except the serial plate. Clean the surface with a damp cloth and then wipe it dry.

Odors and smoke are normal when the warming drawer is used the first few times, or when it is heavily soiled.

Push the middle of the warming drawer panel to open or close the warming drawer.

NOTE: The maximum load capacity of the warming drawer is 55 lbs (25 kg).

Control Panel



- A. Fan Setting*
- B. Temperature control zone*
- C. Power On/Off indicator*

Control Knob

⚠ WARNING

Food Poisoning Hazard

Do not let food sit for more than one hour before or after cooking.

Doing so can result in food poisoning or sickness.

Push in and turn the control knob to the desired setting and then press the red power on/off button. A red light will turn on and will remain on throughout use.

Turn the control knob to the Fan position and press the red power On/Off button when finished to turn the Warming Drawer off.

The temperature is controlled by rotating the control knob to the desired setting. The temperature setting ranges from 90°F to 160°F on the warming drawer control to keep heated foods warm at the selected temperatures.

Setting the Controls

⚠️ WARNING

Food Poisoning Hazard

Do not let food sit for more than one hour before or after cooking.

Doing so can result in food poisoning or sickness.

The Indoor/Outdoor Warming Drawer is ideal for keeping hot cooked foods at serving temperature. It is designed to operate properly either indoors or outdoors at temperatures down to 32°F (0°C). If the drawer is operated at temperatures colder than 32°F (0°C), performance may be affected.

Different types of food may be placed in the warming drawer at the same time.

When keeping several types of food hot, use the setting for the highest temperature food in the warming drawer.

For best results, do not hold food in the warming drawer longer than 1 hour. For smaller quantities or heat-sensitive food, such as eggs, do not hold longer than 30 minutes.

Food must be cooked and heated to serving temperature before being placed in the warming drawer. Cover moist foods with a lid. To avoid losing crispness, do not cover roasted or fried dishes.

Breads, pastries, and fruit pies may be heated from room temperature by setting the temperature to 160°F. Remove food from plastic bags and place in oven-safe container.

Oven-safe serving dishes and dinner plates can be heated while the warming drawer is preheating.

NOTE: To conserve heat, place cookware in the warming drawer before preheating.

To Use:

1. Place the empty dishes in the drawer.
2. Push in and turn the control knob to the desired temperature and press the red button.

NOTE: For best results, meats, seafood, poultry and any foods containing meat, seafood or poultry should be set to 110°F or higher.

3. Preheat the drawer for 10 minutes.
4. Place the food in the warmed dishes.

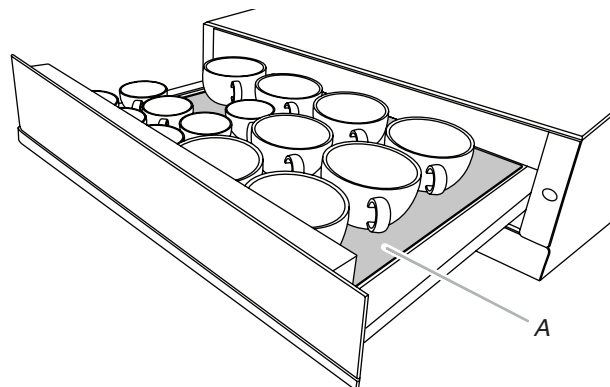
NOTE: To avoid damage to the glass drawer base, do not transfer hot dishes directly from the hot oven to the glass base of the drawer.

5. Turn the control knob to the Fan position and press the red power On/Off button when finished to turn the Warming Drawer off.

Warming Cookware

Use only cookware approved for oven use. Follow the cookware manufacturer's instructions.

Silicon Mat



A. Silicon Mat

Place the silicon mat in the drawer to stop dishes and cups from moving when opening and closing the drawer.

Proofing Bread

Proofing bread prepares dough for baking by activating the yeast. Check dough periodically for progress.

NOTE: The 90°F setting will maintain the warming drawer temperature between 75°F and 90°F (24 and 32°C).

To Proof:

1. Push in and turn the control knob to 90°F and preheat the drawer for 5 minutes.
2. Wrap the dough in a slightly damp cloth and place it in the middle of the drawer.
3. Verify doneness by pressing 2 fingers 1/2" (1.3 cm) into dough. If indentation remains, the dough is ready.

For second proofing of dough, repeat steps 1 through 3.

Slow Cooking

⚠️ WARNING

Food Poisoning Hazard

Do not let food sit for more than one hour before or after cooking.

Doing so can result in food poisoning or sickness.

The Slow Cooking function in the warming drawer cooks food slowly at a low temperature over a long period of time.

When the warming drawer is installed outdoors, the Slow Cooking function should not be used when the temperature is below 32°F (0°C).

When slow cooking, use glass, porcelain, or ceramic dishes with a lid.

Before slow cooking, thaw frozen foods completely.

IMPORTANT: Brown meats thoroughly before slow cooking.

To Use:

1. Place the empty dishes in the drawer.
2. Turn the control knob to 190°F and press the red button.
3. Preheat the drawer for 15 minutes.
4. Place the browned meats in the warmed dishes.
5. Turn the control knob to 140°F for the time required to finish the cooking.
6. Turn the control knob to the Fan position and press the red power On/Off button when finished to turn the Warming Drawer off.

NOTE: Slow cooked food can be kept warm in the warming drawer by turning the control knob to 110°F after cooking is complete.

Slow Cooking Recommended Times:

Dish	Cook Time
Small slices of meat	
Strips	20-30 minutes
Small steaks or medallions	35-50 minutes
Medium slices of meat	
Tenderloin (400-800 g)	75-120 minutes
Lean Roast (600-1000 g)	120-180 minutes
Large slices of meat	
Tenderloin (900+ g)	120-180 minutes
Roast Beef (1.1-2 kg)	210-300 minutes

WARMING DRAWER CARE

General Cleaning

IMPORTANT: Before cleaning, make sure all controls are off and the warming drawer and the drawer accessories are cool. Always follow label instructions on cleaning products.

Soap, water and a soft cloth or sponge are suggested first unless otherwise noted.

STAINLESS STEEL SURFACES

NOTE: To avoid damage to stainless steel surfaces, do not use soap-filled scouring pads, abrasive cleaners, Cooktop Cleaner, steel-wool pads, gritty washcloths or some abrasive towels. Damage may occur to stainless steel surfaces, even with one-time use.

Cleaning Method:

Rub in direction of grain to avoid damaging.

- All-purpose cleaner:
Rinse with clean water and dry with soft, lint-free cloth.

CONTROL KNOB

To avoid damage to the control knob, do not use steel wool, abrasive cleansers or oven cleaner.

Do not soak knob.

When replacing knob, make sure knob is in the Fan position.

Cleaning Method:

- Soap and water:
Pull knob straight away from control panel to remove. Wash, rinse and dry with a soft cloth.

WARMING DRAWER - GLASS BASE

Clean warming drawer after every use. To avoid damage to tempered glass surfaces, do not use abrasive products, bleach oven cleaner spray, or metallic scouring pads.

Cleaning Method:

Routine cleaning

- Paper towel and spray glass cleaner:
Make sure drawer is cool. Follow manufacturer's instructions.
- Warm, soapy water or all-purpose cleaner and a nonabrasive, plastic scrubbing pad:
Wash, wipe with clean water and dry thoroughly.

SILICON MAT

Cleaning Method:

- Dishwasher safe
Warm, soapy water, with non-abrasive cloth or sponge.

TROUBLESHOOTING

Try the solutions suggested here first in order to avoid the cost of an unnecessary service call.

Warming drawer will not operate

- **Has a household fuse blown, or has a circuit breaker tripped?**
Replace the fuse or reset the circuit breaker. If the problem continues, call an electrician.

⚠ WARNING



Electrical Shock Hazard

Plug into a grounded 3 prong outlet.

Do not remove ground prong.

Do not use an adapter.

Do not use an extension cord.

Failure to follow these instructions can result in death, fire, or electrical shock.

- **Is the power supply cord unplugged?**
Plug into a grounded 3 prong outlet.

Warming drawer does not slide properly

- **Has the drawer been overloaded?**
The weight inside the drawer should not exceed 55 lbs (25 kg).
- **Is the drawer load uneven?**
Redistribute the food to evenly balance the weight.

Excessive moisture on the warming drawer

- **Did you preheat the drawer?**
Preheat the drawer before each use. See “Warming Drawer Use” section.

Cooking results not what expected

- The exterior of beef and pork may become very dark, but not burnt. This is normal. The interior will remain tender and juicy. Poultry will also darken, especially in areas not covered by skin.

Dishes are not warm enough

- **Is the drawer turned on?**
Turn the control knob to the desired setting and then press the Power On/Off button.
- **Is the right temperature set?**
Check the control knob setting.
- **Are the ventilation openings blocked?**
Check that the ventilation openings are not blocked by plates or large bowls.
- **Are the dishes heated long enough?**
Different factors affect the warming time, such as:
 - Material and thickness of the dishes;
 - The load and its arrangement in the drawer;
 - The temperature settings.The optimal times for warming dishes vary. It is recommended to do tests with your own dishes to see which settings work best for you.

ASSISTANCE OR SERVICE

If you need replacement parts

If you need to order replacement parts, we recommend that you use only factory specified parts. These factory specified parts will fit right and work right because they are made with the same precision used to build every new JennAir® appliance.

To locate factory specified parts in your area, call us or your nearest JennAir designated service center.

In the U.S.A.

Call the Customer eXperience Center toll-free:
1-800-JENNAIR (1-800-536-6247).

Our consultants provide assistance with:

- Features and specifications on our full line of appliances.
- Installation information.
- Use and maintenance procedures.
- Repair parts sales.
- Specialized customer assistance (Spanish speaking, hearing impaired, limited vision, etc.).
- Referrals to local dealers, repair parts distributors and service companies. JennAir designated service technicians are trained to fulfill the product warranty and provide after-warranty service anywhere in the United States.

To locate the JennAir designated service company in your area, you can also look in your telephone directory Yellow Pages.

For further assistance

If you need further assistance, you can write with any questions or concerns at:

JennAir Brand Home Appliances
Customer eXperience Center
553 Benson Road
Benton Harbor, MI 49022-2692

Please include a daytime phone number in your correspondence.

In Canada

Call the JennAir Canada LP Customer eXperience Centre toll-free: **1-800-JENNAIR (1-800-536-6247).**

Our consultants provide assistance with:

- Use and maintenance procedures.
- Repair parts sales.
- Referrals to local dealers, repair parts distributors and service companies. JennAir designated service technicians are trained to fulfill the product warranty and provide after-warranty service anywhere in Canada.

For further assistance

If you need further assistance, you can write with any questions or concerns at:

JennAir Brand Home Appliances
Customer eXperience Centre
200 - 6750 Century Ave.
Mississauga, ON L5N 0B7

Please include a daytime phone number in your correspondence.

Accessories

Affresh® Stainless Steel Cleaner

Order Part Number W10355016

Affresh® Kitchen and Appliance Cleaner

Order Part Number W10355010

SÉCURITÉ DU TIROIR-RÉCHAUD

Votre sécurité et celle des autres est très importante.

Nous donnons de nombreux messages de sécurité importants dans ce manuel et sur votre appareil ménager. Assurez-vous de toujours lire tous les messages de sécurité et de vous y conformer.



Voici le symbole d'alerte de sécurité.

Ce symbole d'alerte de sécurité vous signale les dangers potentiels de décès et de blessures graves à vous et à d'autres.

Tous les messages de sécurité suivront le symbole d'alerte de sécurité et le mot "DANGER" ou "AVERTISSEMENT". Ces mots signifient :

⚠ DANGER

Risque possible de décès ou de blessure grave si vous ne suivez pas immédiatement les instructions.

⚠ AVERTISSEMENT

Risque possible de décès ou de blessure grave si vous ne suivez pas les instructions.

Tous les messages de sécurité vous diront quel est le danger potentiel et vous disent comment réduire le risque de blessure et ce qui peut se produire en cas de non-respect des instructions.

IMPORTANTES INSTRUCTIONS DE SÉCURITÉ

AVERTISSEMENT : Pour réduire le risque d'incendie, de choc électrique, de blessures ou de dommages lors de l'utilisation du tiroir-réchaud, il convient d'observer certaines précautions élémentaires dont les suivantes :

- Lire toutes les instructions.
- Installation appropriée – S'assurer que le tiroir-réchaud est correctement installé et relié à la terre par un technicien qualifié.
- Ne jamais utiliser le tiroir-réchaud pour réchauffer ou chauffer la pièce.
- Ne pas laisser les enfants seuls – Les enfants ne doivent pas être laissés seuls ou sans surveillance dans la pièce où le tiroir-réchaud est en service. Ne jamais laisser les enfants s'asseoir ou se tenir sur une partie quelconque du tiroir-réchaud.
- Porter des vêtements appropriés – Des vêtements amples ne doivent jamais être portés pendant l'utilisation du tiroir-réchaud.
- Entretien par l'utilisateur – Ne pas réparer ni remplacer toute pièce du tiroir-réchaud si ce n'est pas spécifiquement recommandé dans le manuel. Toute autre opération d'entretien ou de réparation doit être confiée à un technicien qualifié.
- Remisage dans le tiroir-réchaud – Les matériaux inflammables ne doivent pas être remisés dans le tiroir-réchaud.
- Ne pas utiliser d'eau pour éteindre un feu de graisse – Étouffer le feu ou les flammes ou utiliser un extincteur à produits chimiques secs, ou un extincteur à mousse.
- N'utiliser que des mitaines sèches – Des mitaines mouillées ou humides sur des surfaces chaudes peuvent provoquer des brûlures provenant de la vapeur. Ne pas laisser les mitaines toucher les éléments chauffants. Ne pas utiliser une serviette ou un autre chiffon épais.
- Ouvrir la porte du tiroir avec soin – Laisser l'air chaud ou la vapeur s'échapper avant d'enlever ou de replacer les aliments.
- Ne pas chauffer des contenants d'aliments non ouverts – L'accumulation de pression peut faire exploser le contenant et causer des blessures.
- Positionnement des grilles du tiroir-réchaud – Toujours placer la grille du tiroir-réchaud à l'endroit voulu lorsque le tiroir-réchaud est froid. Si la grille doit être déplacée pendant que le tiroir-réchaud est chaud, ne pas laisser les mitaines toucher l'élément chaud de chauffage dans le tiroir-réchaud.
- NE PAS TOUCHER LES ÉLÉMENTS DE CHAUFFAGE OU LES SURFACES INTÉRIEURES DU TIROIR-RÉCHAUD – Les éléments chauffants peuvent être chauds même lorsqu'ils ont une teinte foncée. Les surfaces intérieures du tiroir-réchaud deviennent assez chaudes pour causer des brûlures. Pendant et après l'utilisation, ne pas toucher les éléments de chauffage ou ne pas laisser les vêtements ou autres matériaux inflammables venir en contact avec les éléments chauffants ou les surfaces intérieures du tiroir-réchaud avant qu'ils aient suffisamment refroidi. D'autres surfaces du tiroir-réchaud peuvent devenir assez chaudes pour causer des brûlures – ces surfaces comprennent les ouvertures de l'évent et du tiroir-réchaud, les surfaces près de ces ouvertures et la porte du tiroir-réchaud.
- Ne pas toucher les surfaces chaudes. Utiliser les poignées ou boutons.
- Ne pas faire fonctionner un appareil dont le cordon ou la prise est endommagé(e), lorsque l'appareil ne fonctionne pas correctement ou lorsqu'il a été endommagé d'une quelconque façon. Retourner l'appareil au centre de service agréé le plus proche pour examen, réparation ou réglage.
- L'utilisation d'accessoires de fixation non recommandés par le fabricant du tiroir-réchaud peut causer des blessures.
- Ne pas utiliser le tiroir-réchaud pour une utilisation autre que celle pour laquelle il a été conçu.
- Pour réduire le risque de choc électrique, ne pas monter l'appareil au-dessus d'un évier.
- Ce produit est conçu pour un usage domestique uniquement.
- Ne pas placer sur ou près d'un brûleur électrique ou à gaz chaud, ou dans un four chaud.
- Pour se protéger contre toute décharge électrique, ne pas immerger le cordon ou les prises dans de l'eau ou dans tout autre liquide.
- Ne pas laisser le cordon pendre sur le côté d'une table ou d'un comptoir, ou toucher une surface chaude.
- Ne pas nettoyer ce produit à l'aide de jet d'eau ou similaire.
- Le cordon doit être disposé de sorte qu'il ne pende pas par dessus le plan de travail ou la table de cuisine, où des enfants pourraient tirer dessus ou trébucher dessus involontairement.

CONSERVEZ CES INSTRUCTIONS

Spécifications électriques

⚠ AVERTISSEMENT



Risque de choc électrique

Brancher sur une prise à 3 alvéoles reliée à la terre.

Ne pas enlever la broche de liaison à la terre.

Ne pas utiliser un adaptateur.

Ne pas utiliser un câble de rallonge.

Le non-respect de ces instructions peut causer un décès, un incendie ou un choc électrique.

Instructions de liaison à la terre

Cet appareil doit être relié à la terre lorsqu'il est utilisé afin de protéger l'utilisateur contre les chocs électriques. L'appareil est doté d'un cordon à 3 conducteurs et d'une fiche à 3 broches de type relié à la terre adaptée pour une prise de courant appropriée reliée à la terre. Brancher l'appareil à une prise extérieure protégée par un DDFT, le cas échéant.

Il est important de vous assurer d'avoir la bonne connexion électrique :

Une source d'alimentation de 120 V, 60 Hz, type 15 A CA seulement, correctement mise à la terre conformément au Code national de l'électricité et aux codes et règlements locaux, est nécessaire.

Il est recommandé d'utiliser un circuit indépendant pour alimenter uniquement votre tiroir-réchaud.

UTILISATION DU TIROIR-RÉCHAUD

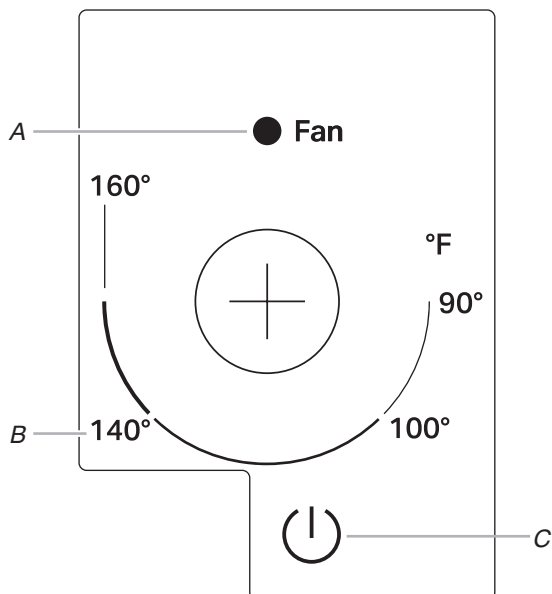
Avant d'utiliser le tiroir-réchaud pour la première fois, enlever tous les autocollants placés sur le devant et la porte du tiroir-réchaud, à l'exception de la plaque signalétique.

Des odeurs et de la fumée sont normales lorsque le tiroir-réchaud est utilisé les premières fois et lorsqu'il est très sale.

Appuyer sur le milieu du panneau du tiroir-réchaud pour ouvrir ou fermer le tiroir-réchaud.

REMARQUE : La capacité de charge maximale pour le tiroir est de 55 lb (25 kg).

Tableau de commande



A. Ventilateur réglage

B. Bouton de commande de température

C. Power On/Off indicator

Bouton de commande

⚠ AVERTISSEMENT

Risque d'empoisonnement alimentaire

Ne pas laisser des aliments reposer plus d'une heure avant ou après la cuisson.

Le non-respect de cette instruction peut causer un empoisonnement alimentaire ou une maladie.

Appuyer et tourner le bouton de commande au réglage désiré, puis appuyer sur le bouton marche/arrêt rouge. Un témoin rouge s'allume et reste allumé tout au long de l'utilisation.

Tourner le bouton de commande à la position Fan (ventilateur) et appuyer sur le bouton marche/arrêt rouge pour éteindre le tiroir-réchaud.

Réglage des commandes

⚠ AVERTISSEMENT

Risque d'empoisonnement alimentaire

Ne pas laisser des aliments reposer plus d'une heure avant ou après la cuisson.

Le non-respect de cette instruction peut causer un empoisonnement alimentaire ou une maladie.

Le tiroir-réchaud pour usage intérieur/extérieur est idéal pour garder au chaud des aliments cuits à la température de service. Il est conçu pour fonctionner correctement à l'intérieur comme à l'extérieur à des températures pouvant descendre jusqu'à 32 °F (0°C). Si le tiroir fonctionne à des températures inférieures à 32 °F (0°C), le rendement peut être affecté.

Différents types d'aliments peuvent être placés dans le tiroir-réchaud en même temps.

Lorsqu'on maintient au chaud plusieurs types d'aliment, utiliser le réglage de température la plus élevée dans le tiroir-réchaud.

Pour les meilleurs résultats, ne pas placer d'aliment dans le tiroir pendant plus d'une heure. Pour les plus petites quantités ou les aliments sensibles à la chaleur tels que les oeufs, ne pas maintenir plus de 30 minutes.

Les aliments doivent être cuits et à la température de service avant d'être placés dans le tiroir-réchaud. Couvrir les aliments humides avec un couvercle. Pour éviter de perdre l'aspect croustillant, ne pas couvrir les plats avec mets rôtis ou frits.

Les pains, pâtisseries et tartes aux fruits peuvent être chauffés à température ambiante en réglant la température à 160 °F. Sortir les aliments des sacs de plastique et les placer dans un contenant qui va au four.

Les plats de service et assiettes allant au four peuvent être réchauffés pendant que le tiroir-réchaud préchauffe.

REMARQUE : Pour conserver la chaleur, placer l'ustensile de cuisson et la grille dans le tiroir-réchaud avant le préchauffage.

Utilisation:

1. Placer les ustensiles vides dans le tiroir-réchaud.
2. Appuyer et tourner le bouton de commande au réglage désiré, puis appuyer sur le bouton rouge.

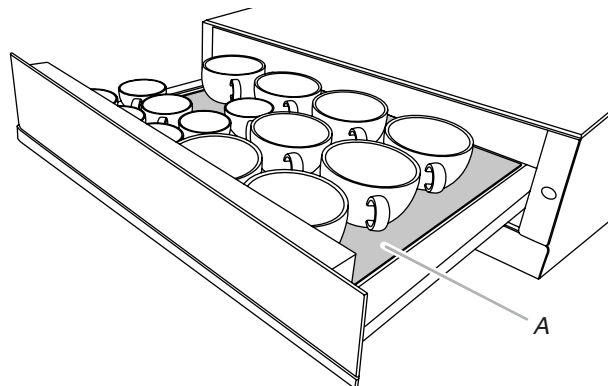
REMARQUE : Pour les meilleurs résultats, la viande, les fruits de mer, la volaille et tous les aliments contenant de la viande, des fruits de mer ou de la volaille doivent être réchauffés à la température 110 °F ou plus élevée.

3. Préchauffer le tiroir-réchaud pendant 10 minutes.
4. Placer les aliments dans les ustensiles chauffés.
REMARQUE : Pour éviter d'endommager la base du tiroir en verre, ne pas transférer de plats chauds directement du four chaud vers la base en verre du tiroir.
5. Tourner le bouton de commande à la position Fan (ventilateur) et appuyer sur le bouton marche/arrêt rouge pour éteindre le tiroir-réchaud.

Ustensiles de réchauffage

N'utiliser que des ustensiles adaptés au four. Suivre les instructions du fabricant de l'ustensile.

Tapis en silicone



A. Tapis en silicone

Placer le tapis en silicone dans le tiroir pour empêcher la vaisselle et les tasses de se déplacer lors de l'ouverture et de la fermeture du tiroir.

Levée du pain

La levée du pain prépare la pâte pour la cuisson en activant la levure. Vérifier régulièrement la progression de la levée de la pâte.

REMARQUE : Le réglage de 90 °F maintient la température du tiroir-réchaud entre 75 °F et 90 °F (24 °C et 32 °C).

Pour faire lever la pâte:

1. Appuyer sur le bouton de commande et le tourner à 90 °F pour préchauffer le tiroir pendant 5 minutes.
2. Envelopper la pâte dans un chiffon légèrement humide et la placer au centre du tiroir.
3. Vérifier le degré de cuisson en enfonçant 2 doigts de 1/2" (1,3 cm) dans la pâte. Si l'empreinte demeure, la pâte est prête.

Pour la seconde levée de la pâte, suivre les étapes 1 à 3.

Cuisson Lente

⚠ AVERTISSEMENT

Risque d'empoisonnement alimentaire

Ne pas laisser des aliments reposer plus d'une heure avant ou après la cuisson.

Le non-respect de cette instruction peut causer un empoisonnement alimentaire ou une maladie.

La fonction Slow Cooking (cuisson lente) du tiroir-réchaud cuit les aliments lentement à basse température pendant une longue période.

Lorsque le tiroir-réchaud est installé à l'extérieur, la fonction Slow Cooking ne doit pas être utilisée si la température extérieure est inférieure à 32 °F (0°C).

Lors de la cuisson lente, utiliser des ustensiles en verre, en porcelaine ou en céramique munis d'un couvercle.

Avant d'utiliser la fonction de cuisson lente, décongeler totalement les aliments congelés.

IMPORTANT : Faire brunir complètement la viande avant de la cuire à cuisson lente.

Utilisation:

1. Placer les ustensiles vides dans le tiroir-réchaud.
2. Tourner le bouton de commande à 190 °F, puis appuyer sur le bouton rouge.
3. Préchauffer le tiroir-réchaud pendant 15 minutes.
4. Placer les viandes brunies dans les ustensiles chauffés.
5. Tourner le bouton de commande à 140 °F pendant la durée nécessaire pour terminer la cuisson.
6. Tourner le bouton de commande à la position Fan (ventilateur) et appuyer sur le bouton marche/arrêt rouge pour éteindre le tiroir-réchaud.

REMARQUE : Les aliments cuits lentement peuvent être maintenus au chaud dans le tiroir-réchaud en tournant le bouton de commande à 110 °F une fois la cuisson terminée.

Durées de cuisson lente recommandées :

Plat	Durée de cuisson
Petites tranches de viande	
Lanières	20 à 30 minutes
Petits ou médaillons de steaks	35 à 50 minutes
Tranches moyennes de viande	
Filet (400 à 800 g)	75 à 120 minutes
Rôti maigre (600 à 1000 g)	120 à 180 minutes
Grandes tranches de viande	
Filet (900+ g)	120 à 180 minutes
Rôti de bœuf (1,1 à 2 kg)	210 à 300 minutes

ENTRETIEN DU TIROIR-RÉCHAUD

Nettoyage général

IMPORTANT : Avant le nettoyage, s'assurer que toutes les commandes sont désactivées et que le tiroir-réchaud et ses accessoires ont refroidi. Toujours suivre les instructions sur les étiquettes des produits de nettoyage.

Du savon, de l'eau et un chiffon doux ou une éponge sont recommandés à moins d'indication contraire.

SURFACES EN ACIER INOXYDABLE

REMARQUE : Afin d'éviter d'endommager les surfaces en acier inoxydable, ne pas utiliser de tampons à récurer savonneux, de nettoyeurs abrasifs, de crème à polir pour table de cuisson, de tampons en laine d'acier, de chiffons de lavage rêches ou certains essuie-tout abrasifs.

Méthode de nettoyage:

Frotter dans la direction du grain pour éviter les dommages.

- Nettoyeur tout-usage
Rincer à l'eau propre et sécher avec un chiffon doux sans charpie.

BOUTON DE COMMANDE

Ne pas utiliser de laine d'acier, de produits de nettoyage abrasifs ou de nettoyeur à four.

Ne pas faire tremper le bouton.

Lors de la réinstallation du bouton, s'assurer qu'il est à la position Fan (ventilateur).

Méthode de nettoyage :

- Eau et savon :
Tirer le bouton directement hors du tableau de commande pour le retirer. Laver, rincer et sécher avec un chiffon doux.

TIROIR-RÉCHAUD – BASE EN VERRE

Pour éviter d'endommager les surfaces en verre trempé, ne pas utiliser de produits abrasifs, de pulvérisateur avec nettoyeur javellisant pour four, ni de tampons à récurer métalliques.

Méthode de nettoyage :

Nettoyage courant

- Essuie-tout et nettoyeur à vitres :
S'assurer que le tiroir a refroidi. Suivre les instructions du fabricant.
- Eau tiède savonneuse ou nettoyeur tout-usage et tampon de récurage non abrasif en plastique :
Laver et rincer à l'eau propre et sécher complètement.

TAPIS EN SILICONE

Méthode de nettoyage :

- Résistant au lave-vaisselle
Eau chaude savonneuse avec un chiffon ou une éponge non abrasifs.

DÉPANNAGE

Essayer les solutions suggérées ici d'abord afin d'éviter le coût d'une visite de service non nécessaire.

Le tiroir-réchaud ne fonctionne pas

■ Un fusible est-il grillé ou le disjoncteur s'est-il déclenché?

Remplacer le fusible ou réenclencher le disjoncteur. Si le problème persiste, appeler un électricien.

AVERTISSEMENT



Risque de choc électrique

Brancher sur une prise à 3 alvéoles reliée à la terre.

Ne pas enlever la broche de liaison à la terre.

Ne pas utiliser un adaptateur.

Ne pas utiliser un câble de rallonge.

Le non-respect de ces instructions peut causer un décès, un incendie ou un choc électrique.

■ Le cordon d'alimentation est-il débranché?

Brancher sur une prise à 3 alvéoles reliée à la terre.

Le tiroir ne glisse pas correctement

■ Le tiroir a-t-il été trop chargé?

Le poids dans le tiroir ne doit pas dépasser 55 lb (25 kg).

■ La charge dans le tiroir est-elle déséquilibrée?

Redistribuer les aliments pour équilibrer le poids uniformément.

Humidité excessive sur le tiroir

■ Le tiroir a-t-il été préchauffé?

Préchauffer le tiroir avant chaque utilisation. Voir la section "Utilisation du tiroir-réchaud".

Les résultats de cuisson ne sont pas les résultats prévus

- La surface des portions de boeuf ou de porc peut devenir très foncée, mais non brûlée. Ceci est normal. L'intérieur restera tendre et juteux. La volaille peut également brunir, particulièrement sur les parties non couvertes de peau.

Les ustensiles ne sont pas assez chauds

■ Le tiroir-réchaud est-il allumé?

Tourner le bouton de commande au réglage désiré, puis appuyer sur le bouton marche/arrêt.

■ La température correcte est-elle réglée?

Vérifier le réglage du bouton de commande.

■ Les orifices de ventilation sont-ils bloqués?

Vérifier que les orifices de ventilation ne sont pas bloqués par des assiettes ou de grands bols.

■ Les ustensiles sont-ils chauffés assez longtemps?

Différents facteurs affectent le temps de réchauffement, tels que :

- Matériel et épaisseur des ustensiles;
- La charge et sa disposition dans le tiroir;
- Les réglages de température.

Il est recommandé de faire des tests avec vos propres ustensiles pour voir quels réglages vous conviennent le mieux.

ASSISTANCE OU SERVICE

Si vous avez besoin de service

Consulter garantie.

Si vous avez besoin de pièces de rechange

Si vous avez besoin de commander des pièces de rechange, nous vous recommandons d'utiliser seulement des pièces spécifiées par l'usine. Les pièces spécifiées par l'usine conviendront et fonctionneront bien car elles sont fabriquées avec la même précision que celles utilisées pour fabriquer chaque nouvel appareil.

Pour localiser des pièces spécifiées par l'usine dans votre région, composer le numéro de téléphone d'aide à la clientèle suivant ou appeler le centre de service désigné le plus proche.

Aux É.-U.

Si vous avez des problèmes ou des questions, appelez Whirlpool Corporation Connected Appliances au **1-866-333-4591**.

Nos consultants peuvent vous aider sur les points suivants:

- Programmation d'une intervention de dépannage. Les techniciens de service désignés par la gamme des appareils électroménagers Whirlpool sont formés pour remplir la garantie des produits et fournir un service après garantie partout aux États-Unis.
- Caractéristiques et spécifications de notre gamme complète d'appareils ménagers.
- Références aux revendeurs Whirlpool locaux.
- Renseignements sur l'installation.
- Procédés d'utilisation et d'entretien.
- Vente d'accessoires et de pièces de rechange.
- Assistance spécialisée au client (langue espagnole, malentendants, malvoyants, etc.).

Pour plus d'assistance :

Si vous avez besoin de plus d'assistance, vous pouvez écrire à JennAir en soumettant toute question ou problème à :

JennAir Brand Home Appliances
Customer eXperience Center
553 Benson Road
Benton Harbor, MI 49022-2692

Veuillez indiquer dans votre correspondance un numéro de téléphone où l'on peut vous joindre dans la journée.

Au Canada

Téléphoner sans frais au Centre pour l'eXpérience de la clientèle Whirlpool Canada LP au **1-800-JENNAIR (1-800-536-6247)** ou visiter notre site Internet sur **www.jennair.ca**.

Nos consultants peuvent vous aider sur les points suivants :

- Appeler pour demander une intervention de dépannage. Les techniciens de service désignés par JennAir® sont formés pour remplir la garantie des produits et fournir un service après la garantie, partout au Canada.
- Caractéristiques et spécifications de notre gamme complète d'appareils ménagers.
- Références aux concessionnaires locaux JennAir®.
- Renseignements pour l'installation.
- Procédés d'utilisation et d'entretien.
- Vente d'accessoires et de pièces de rechange.

Pour de l'aide supplémentaire

Si vous avez besoin d'aide supplémentaire, vous pouvez écrire à JennAir® Appliances en soumettant toute question ou problème à :

JennAir Brand Home Appliances
Customer eXperience Centre
200 - 6750 Century Ave.
Mississauga, Ontario L5N 0B7

Veuillez indiquer dans votre correspondance un numéro de téléphone où l'on peut vous joindre dans la journée.

Accessories

Nettoyant pour acier inoxydable affresh®

Commander la pièce n° W10355016

Nettoyant pour cuisine et appareils ménagers affresh®

Commander la pièce n° W10355010

