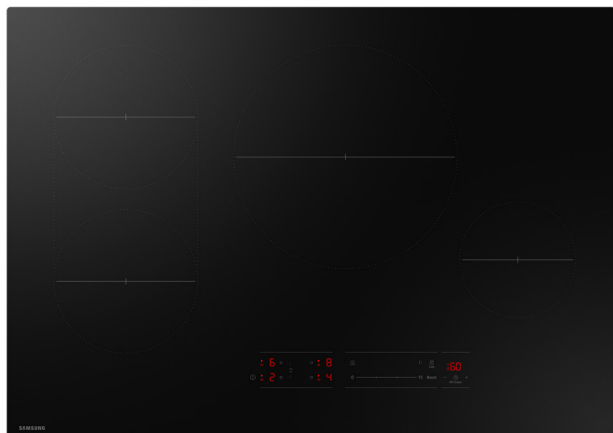


CC70F30S2D

SAMSUNG

30" Induction Cooktop with Anti-Scratch Matte Glass and Sync Elements



Available Color



Black
CC70F30S2D

Features

- 4-Element Cooktop with Sync Element
- Anti-Scratch Matte Glass Cooktop
- Digital Touch Controls
- 15 Power Levels + Boost Mode

Rating



ENERGY STAR®
Rated:

195 kWh/yr

Convenience

- Wi-Fi Connectivity
- Hot Surface Indicator Light
- Safety Shutoff
- Pause
- Quick Stop
- Simmer
- Countdown Timer

Specifications

Total Power

7.1 kW

Power Source

240V / 60 Hz / 30A

4-Element Induction Cooktop

- **Left Front:**
7", 1.8 kW (Boost - 2.3 kW)
- **Left Rear:**
7", 1.8 kW (Boost - 2.3 kW)
 - **Left Sync Burner (Front + Rear):**
7" x 15", 3.4 kW (Boost - 3.6 kW)
- **Right Front:**
7", 1.2 kW (Boost - 1.5 kW)
- **Center:**
11", 2.3 kW (Boost - 4.3 kW)

Dimensions

Product Dimensions & Weight (WxHxD)

Outside (Max) Cooktop Dimensions:

30" x 4¹/₈" x 21¹/₄"

Cooktop Cutout Dimensions:

28¹/₂" - 28¹¹/₁₆" x 4¹/₈" x 19⁹/₁₆" - 19⁵/₈"

Weight: 37 lbs

Shipping Dimensions & Weight (WxHxD)

Dimensions: 34¹/₄" x 8¹/₂" x 25¹/₈"

Weight: 41.4 lbs

Warranty

One (1) Year All Parts and Labor

UPC

Color	Model #	UPC Code
Black	CC70F30S2D	887276990309

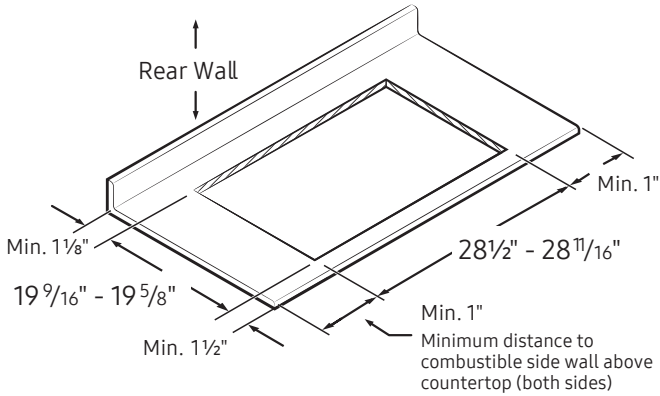
CC70F30S2D

SAMSUNG

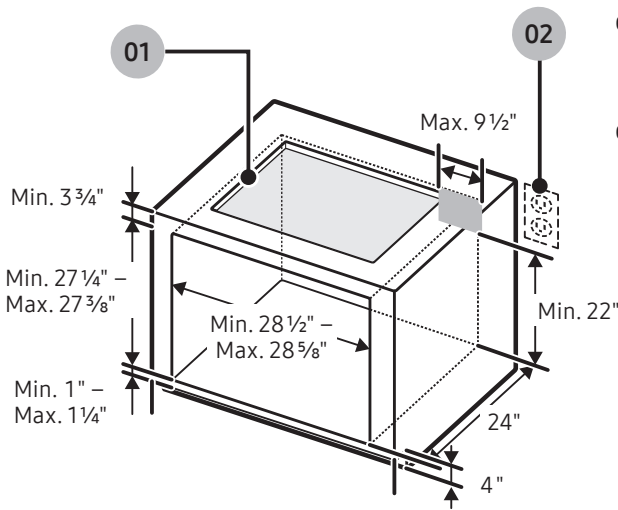
30" Induction Cooktop with Anti-Scratch Matte Glass and Sync Elements

Installation Specifications

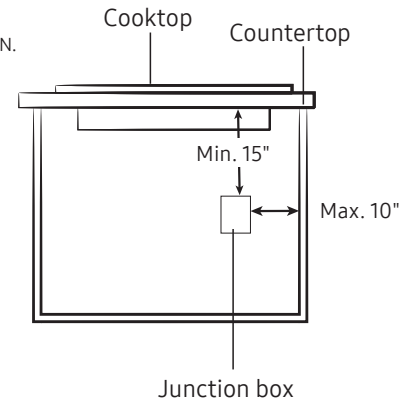
Countertop cutout and minimum clearance dimensions:



Installing Over a Single Oven

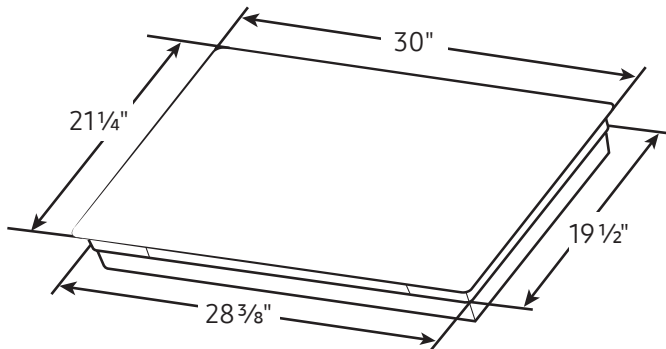


- 01 See built-in oven Installation Manual for complete installation instructions. See label on top of approved built-in oven models.
- 02 Refer to Installation Manual of OVEN.

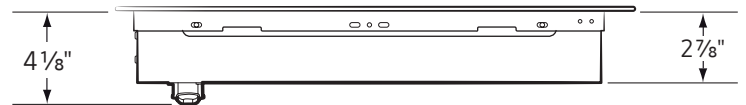


Dimensions

Front View



Side View



Actual color may vary. Design, specifications, and color availability are subject to change without notice. Non-metric weights and measurements are approximate.

©2025 Samsung Electronics America, Inc. 85 Challenger Road, Ridgefield Park, NJ 07660. Tel: 800-SAMSUNG. samsung.com. Samsung is a registered trademark of Samsung Electronics Co. Ltd.



ADA Compliant